



US00D988526S

(12) **United States Design Patent** (10) **Patent No.:** **US D988,526 S**
Setton (45) **Date of Patent:** **** Jun. 6, 2023**

(54) **ICE HEAD WRAP**
(71) Applicant: **EMES Commerce Group Inc.**,
Brooklyn, NY (US)
(72) Inventor: **Daniel Setton**, Brooklyn, NY (US)
(73) Assignee: **EMES Commerce Group Inc.**,
Brooklyn, NY (US)
(**) Term: **15 Years**
(21) Appl. No.: **29/844,637**
(22) Filed: **Jun. 30, 2022**
(51) **LOC (14) Cl.** **07-99**
(52) **U.S. Cl.**
USPC **D24/207**
(58) **Field of Classification Search**
USPC D24/206–208, 200, 191; D2/865, 870,
D2/878; D29/106
CPC A61F 7/00; A61F 7/02; A61F 7/10; A61F
7/106; A61F 2007/0002; A61F
2007/0063; A61F 13/12; A41D 20/005
See application file for complete search history.

(56) **References Cited**

U.S. PATENT DOCUMENTS

D493,002 S 7/2004 Edwards
D529,617 S * 10/2006 Fontanez Acevedo D24/207
D936,235 S * 11/2021 Li D24/207
D980,993 S * 3/2023 Zhang D24/207
2013/0211484 A1 * 8/2013 Rozental A61F 7/02
607/110
2015/0297397 A1 * 10/2015 Rand A61F 7/02
607/110
2017/0000651 A1 * 1/2017 Cumming A61F 13/12
2019/0336330 A1 * 11/2019 Hickey A61F 7/10
2022/0015941 A1 * 1/2022 Lamb A61F 7/10

FOREIGN PATENT DOCUMENTS

CN 305656244 3/2020
CN 306582105 6/2020

CN 306523847 5/2021
GB 4032167 10/2013
KR 301111643.0000 5/2021

OTHER PUBLICATIONS

AllSett Health Store. Form Fitting Migraine Relief Ice Head Wrap | Headache and Migraine Hat | Hot and Cold Therapy for Puffy Eyes, Tension, Sinus and Stress Relief. Retrieved on Aug. 30, 2022. Retrieved from internet: https://www.amazon.com/Fitting-Migraine-Headache-Therapy-Tension/dp/B09HVD9C45/ref=sr_1_3?crid=74LPUCYU71QV&keywords=fitting+migraine+relief+ice+head+wrap&qid=1663704719&srefix=fitting+migraine+relief+ice+head+wrap%2Caps%2C71&sr=8-3. Available date May 5, 2021.* <https://www.emilyreviews.com/2017/01/the-daily-migraine-natural-relief-with-the-migraine-hat-review-giveaway-continental-us-218.html>.

* cited by examiner

Primary Examiner — Wan Laymon

(74) *Attorney, Agent, or Firm* — Tarter Krinsky & Drogin LLP

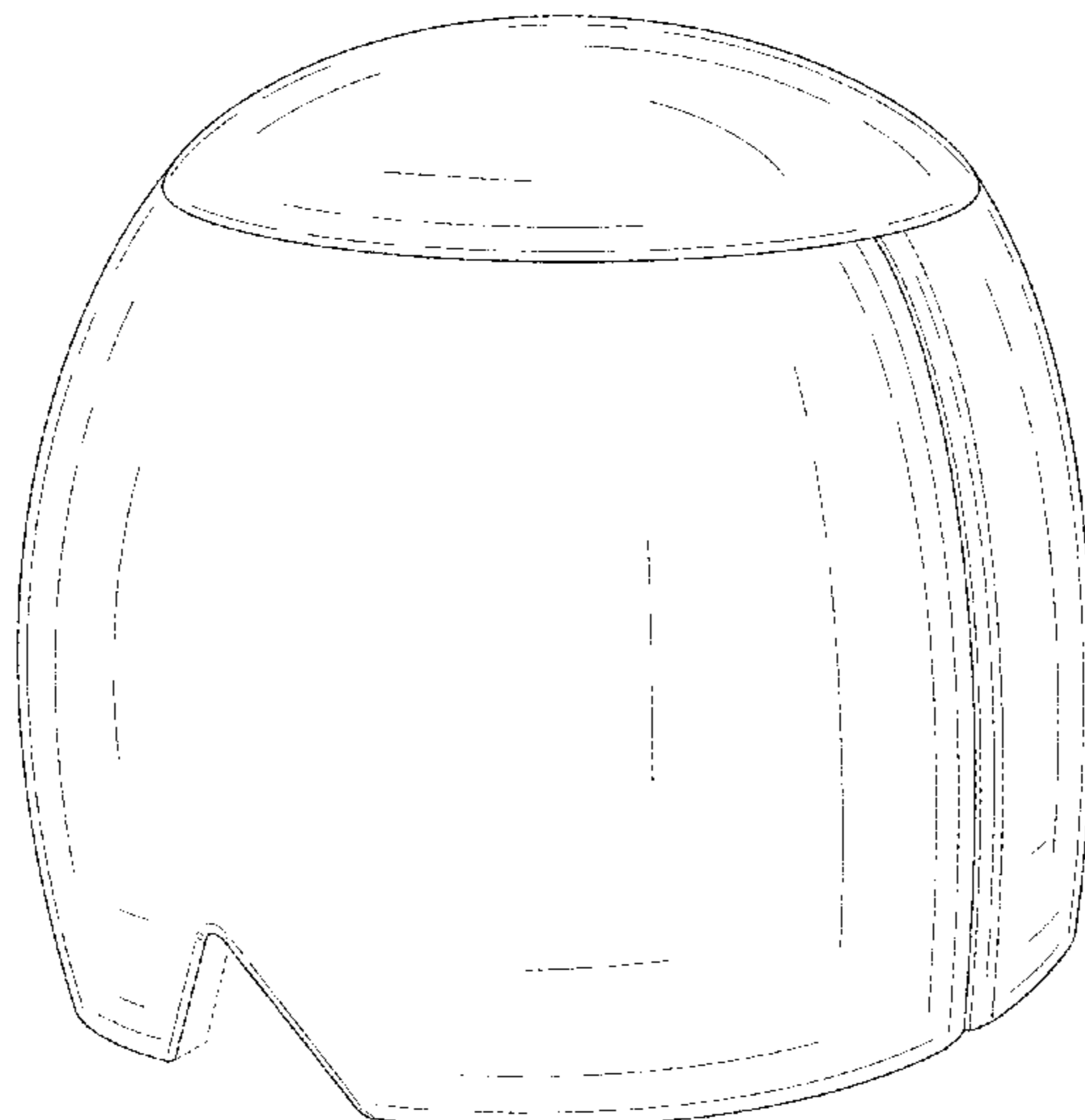
(57) **CLAIM**

The ornamental design for an ice head wrap, as shown and described.

DESCRIPTION

FIG. 1 is a side perspective view of the ice head wrap showing the present design.
FIG. 2 is a front view thereof.
FIG. 3 is a rear view thereof.
FIG. 4 is right side view thereof.
FIG. 5 is a left side view thereof.
FIG. 6 is a top view thereof.
FIG. 7 is a bottom view thereof; and,
FIG. 8 is perspective view of the ice head wrap shown in use. The portions of the design shown in broken lines being for the purpose of illustrating environment only and form no part of the claimed design.

1 Claim, 8 Drawing Sheets



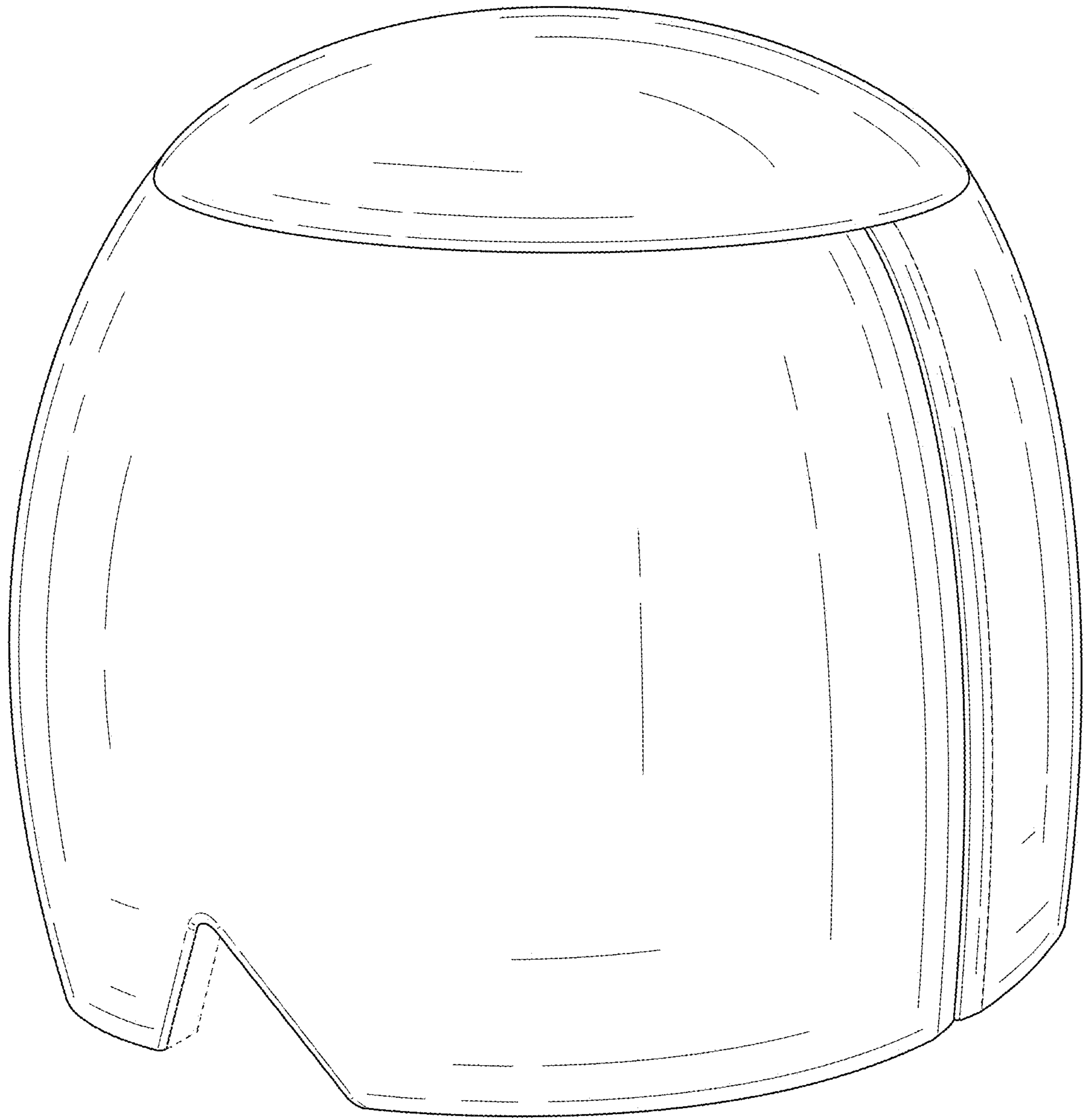


FIG. 1

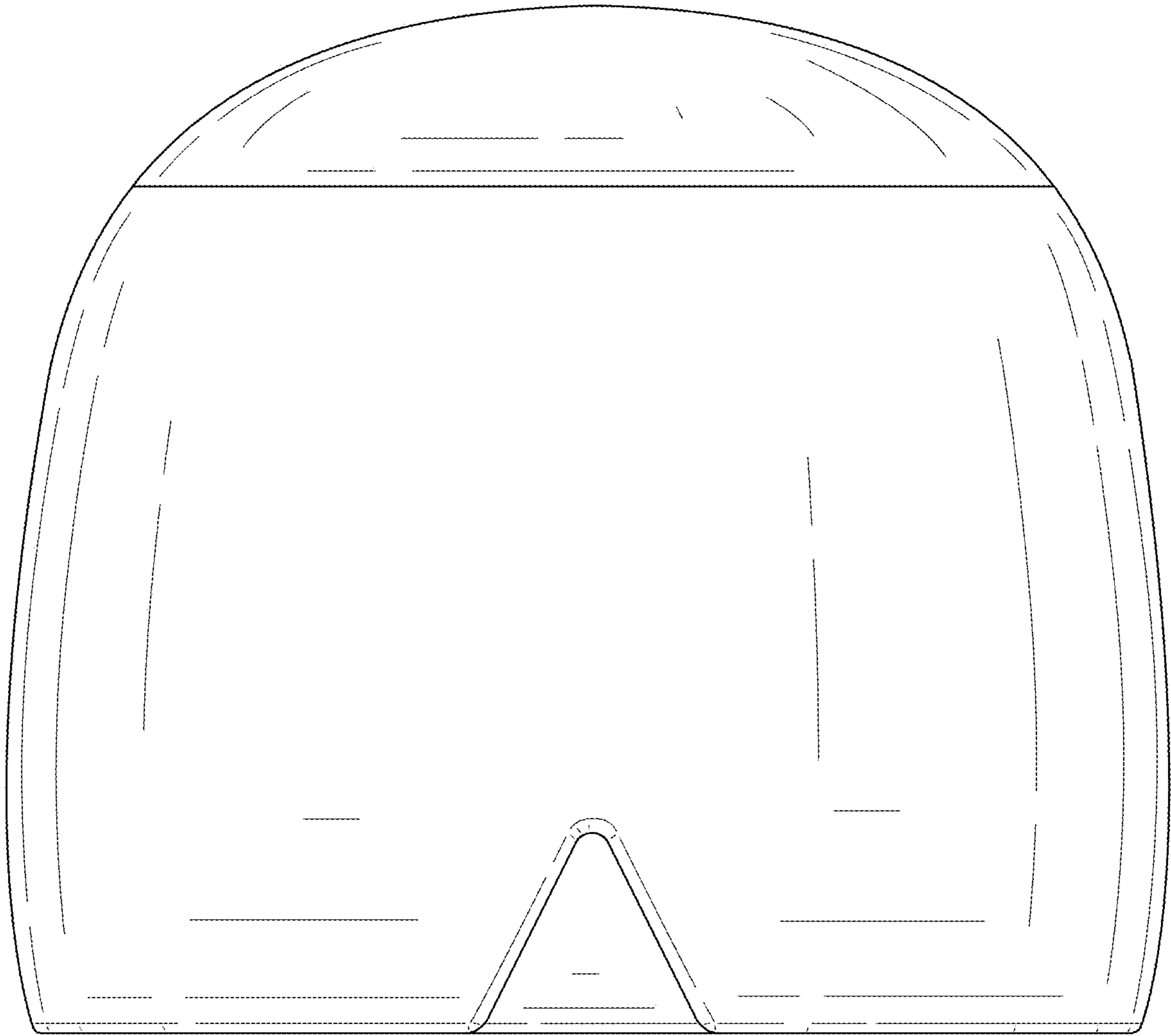


FIG. 2

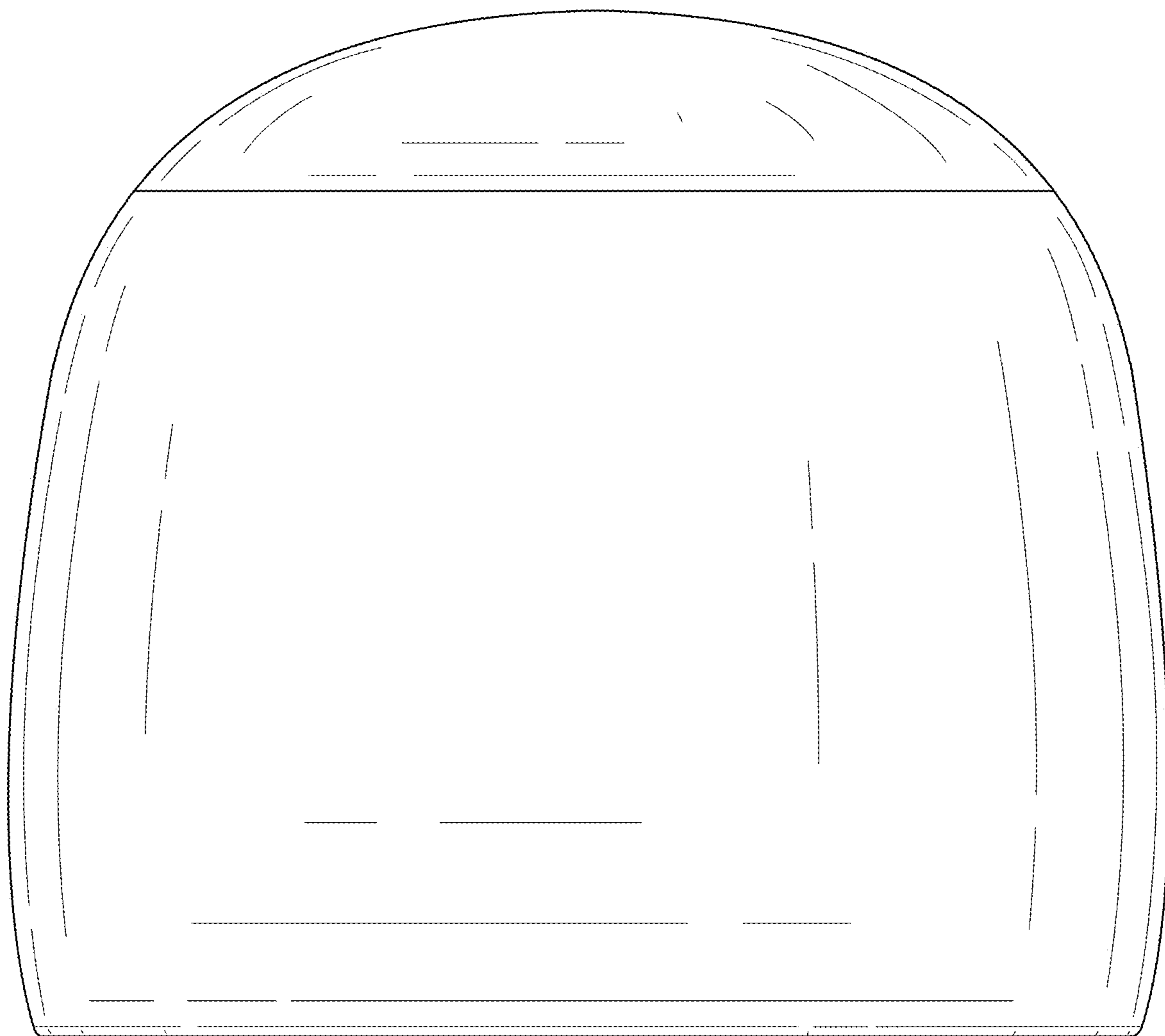


FIG. 3

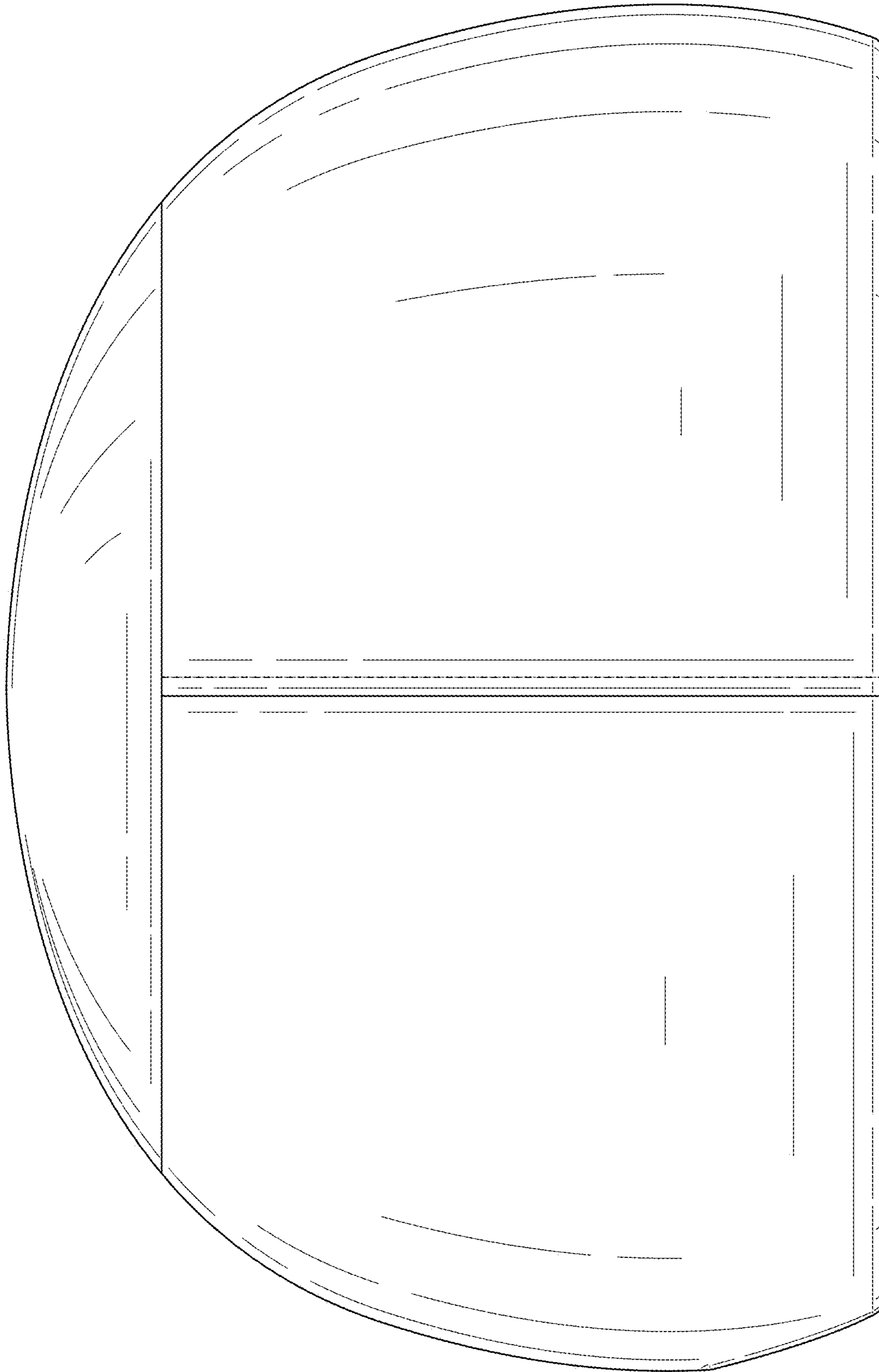


FIG. 4

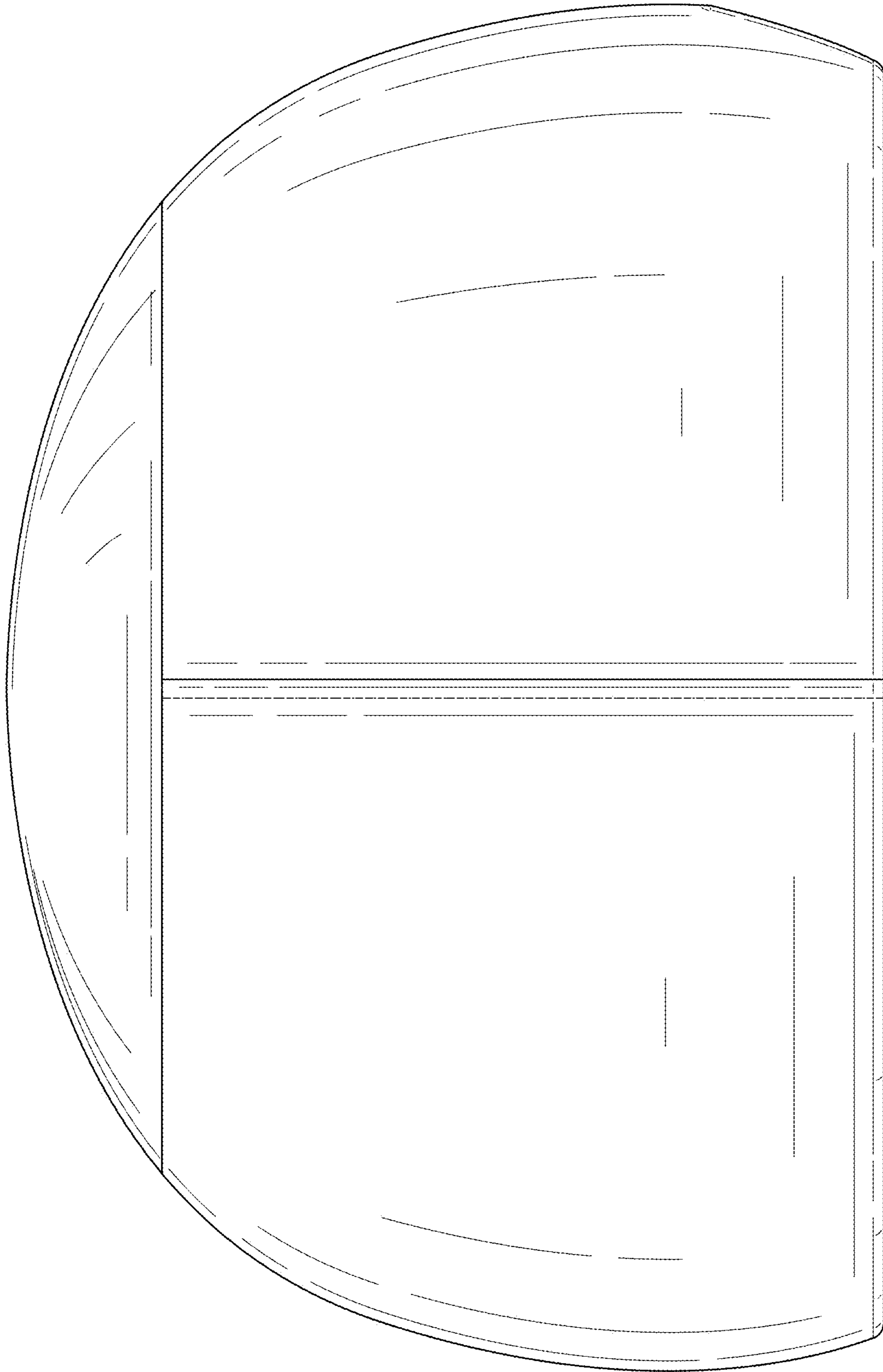


FIG. 5

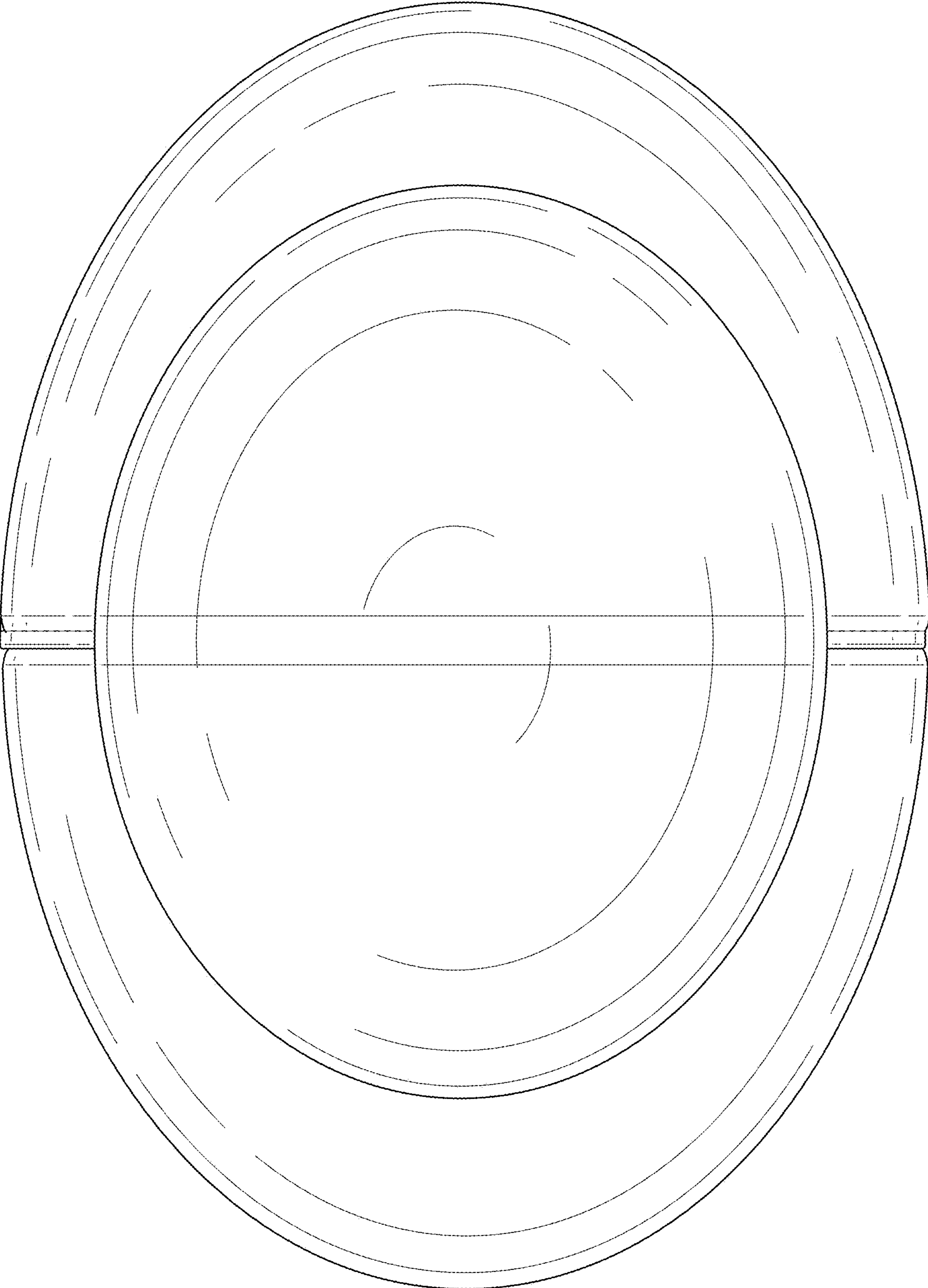


FIG. 6

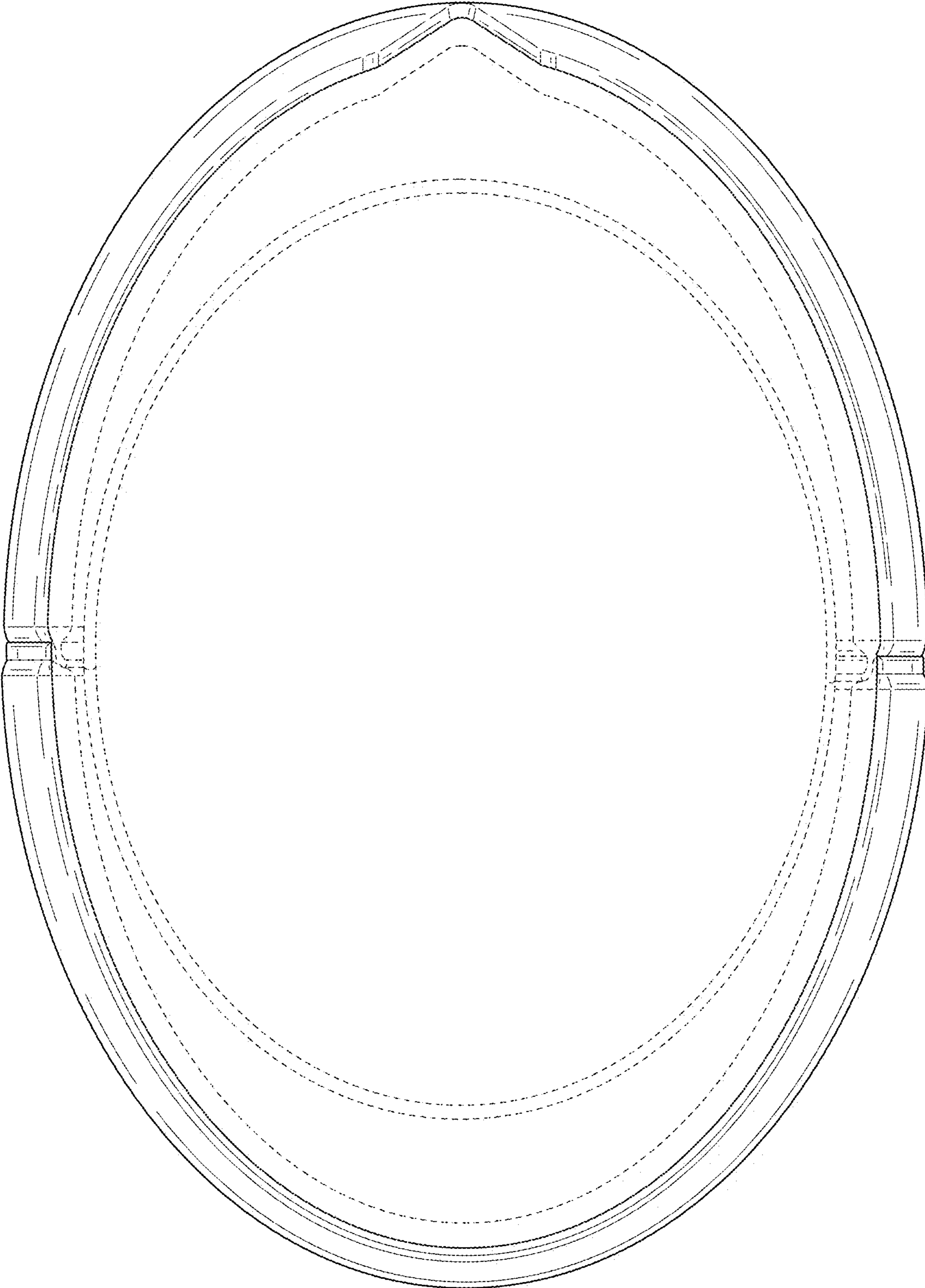


FIG. 7

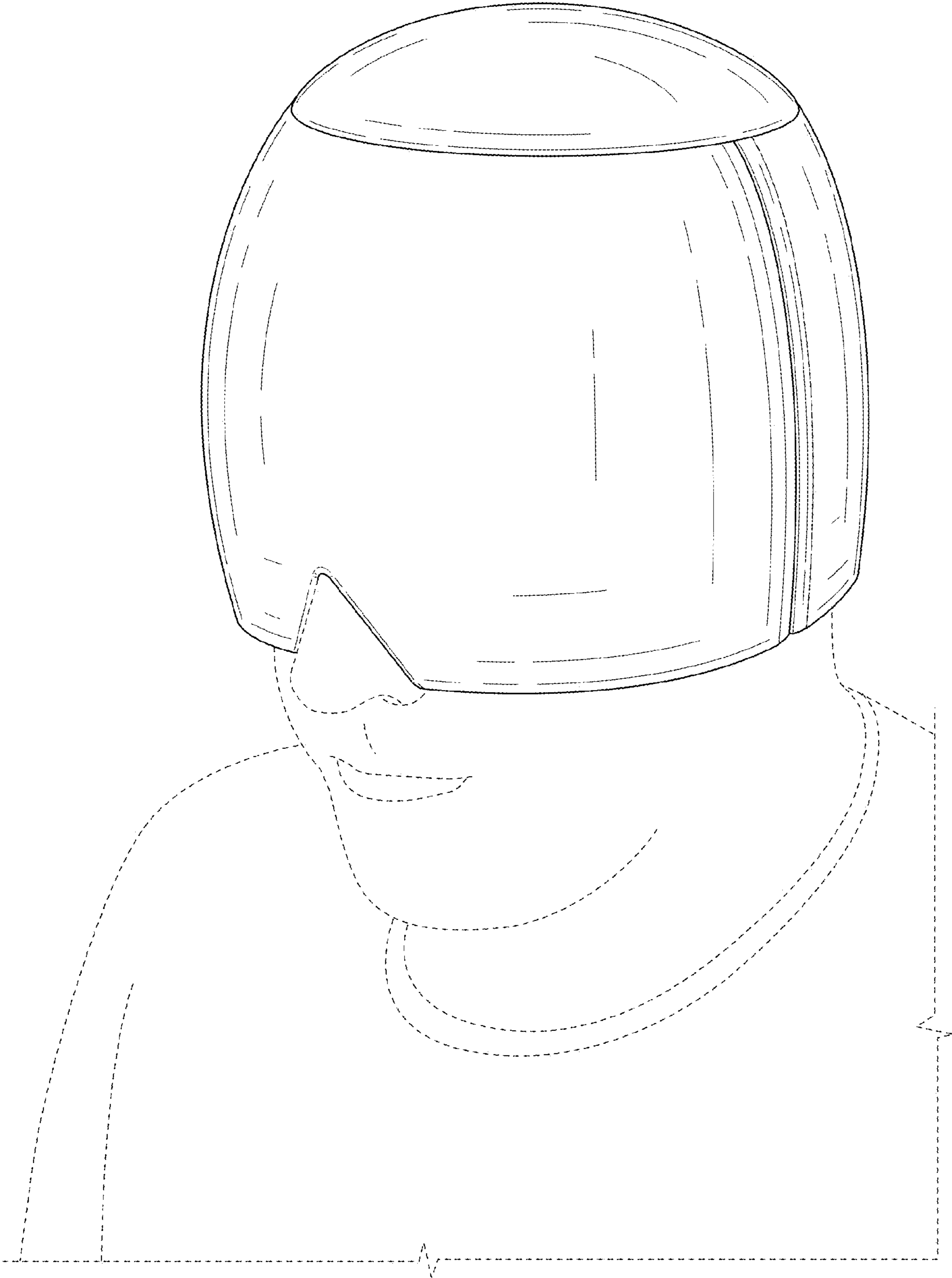


FIG. 8