



US00D988525S

(12) **United States Design Patent** (10) **Patent No.:** **US D988,525 S**  
**Attila et al.** (45) **Date of Patent:** **\*\* Jun. 6, 2023**

(54) **SPA CORNER UNIT**

(71) Applicant: **Wellis USA Inc.**, Miami, FL (US)

(72) Inventors: **Szomor Attila**, Inárcs (HU); **Lakatos József**, Inárcs (HU); **Szmoleniczki Árpád**, Kiskunlacháza (HU)

(73) Assignee: **Wellis USA Inc.**, Miami, FL (US)

(\*\*) Term: **15 Years**

(21) Appl. No.: **29/763,416**

(22) Filed: **Dec. 22, 2020**

(30) **Foreign Application Priority Data**

Jun. 25, 2020 (EM) ..... 008020366-0021  
Jun. 25, 2020 (EM) ..... 008020366-0022

(51) **LOC (14) Cl.** ..... **23-01**

(52) **U.S. Cl.**  
USPC ..... **D23/261**

(58) **Field of Classification Search**  
USPC ..... D24/201-205; D23/209-210, 259-261,  
D23/303, 304, 305, 306, 364, 365  
CPC ..... E04H 4/12; E04H 4/1218; E04H 4/1254;  
A61H 33/6005; A61H 33/6021; A61H  
33/6089; A61H 33/6094; A61H 2035/004;  
A61H 35/006; A47K 3/022; A47K 3/062  
See application file for complete search history.

(56) **References Cited**

**U.S. PATENT DOCUMENTS**

D288,125 S \* 2/1987 Watkins ..... D23/277  
D435,297 S \* 12/2000 Magray ..... D24/204  
D559,991 S \* 1/2008 Dragovich ..... D24/204  
D567,956 S \* 4/2008 Gay ..... D24/204  
D575,406 S \* 8/2008 Layfield ..... D24/204  
D702,846 S \* 4/2014 Larsen ..... D24/204  
D759,833 S \* 6/2016 Larsen ..... D24/204

D780,934 S \* 3/2017 Larsen ..... D24/204  
11,078,679 B2 \* 8/2021 Tournas ..... E04H 4/084  
2008/0244820 A1 \* 10/2008 Moore ..... E04H 4/108  
4/498  
2008/0289093 A1 \* 11/2008 Dragovich ..... A61H 33/00  
4/541.1  
2013/0328464 A1 \* 12/2013 Hall ..... A61H 33/6005  
312/228

(Continued)

**OTHER PUBLICATIONS**

Paris, posted at wellis.com, no posting date, retrieved Mar. 21, 2022,  
online, URL: <https://www.wellis.com/us/products/spa/cityline/paris>  
(Year: 2022).\*

(Continued)

*Primary Examiner* — Mary Shannon Malley  
(74) *Attorney, Agent, or Firm* — Wood Herron & Evans  
LLP

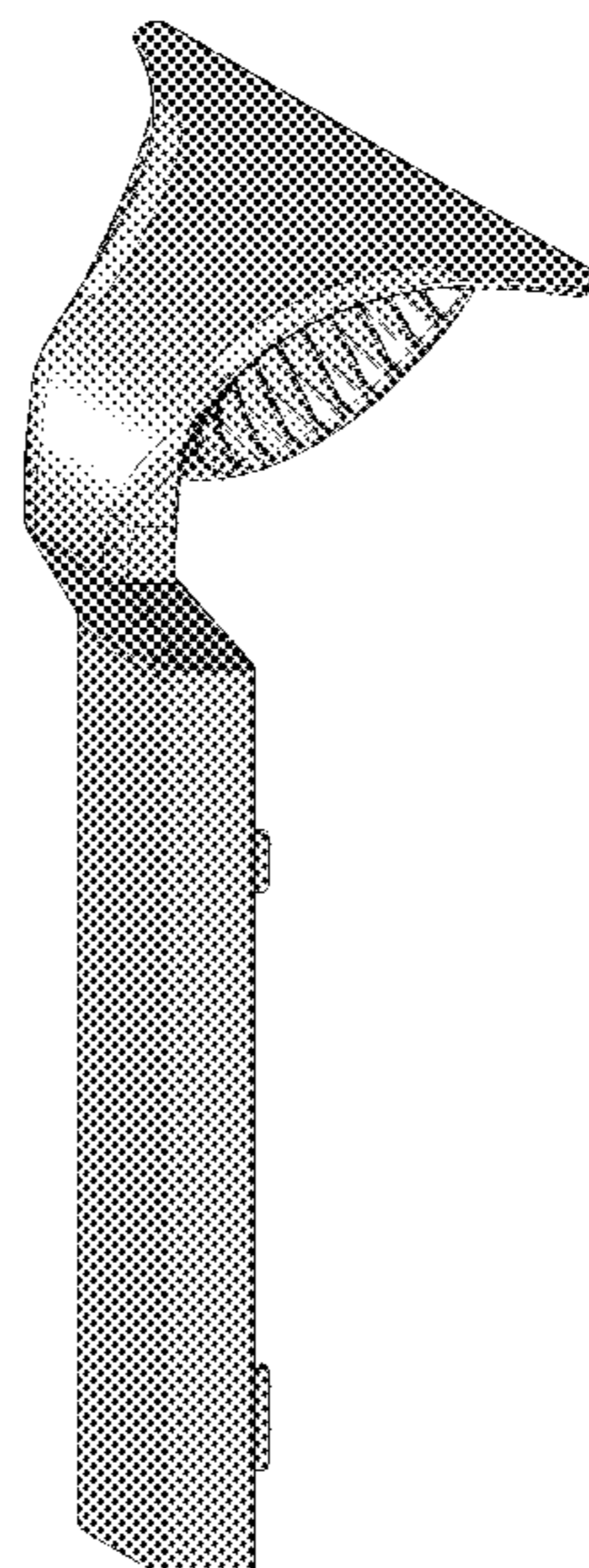
(57) **CLAIM**

The ornamental design for a spa corner unit, as shown and described.

**DESCRIPTION**

FIG. 1 is a front right top perspective view of a spa corner unit according to the present invention.  
FIG. 2 is a front right perspective view thereof.  
FIG. 3 is a rear left top perspective view thereof.  
FIG. 4 is a rear left perspective view thereof.  
FIG. 5 is a front view thereof.  
FIG. 6 is a rear view thereof.  
FIG. 7 is a left side view thereof.  
FIG. 8 is a right side view thereof.  
FIG. 9 is a top view thereof; and,  
FIG. 10 is a bottom view thereof.  
The broken lines illustrate portions of the spa corner unit that do not form part of the claimed design.

**1 Claim, 10 Drawing Sheets**



(56)

**References Cited**

U.S. PATENT DOCUMENTS

2021/0095488 A1\* 4/2021 Tulett ..... A61H 33/6005

OTHER PUBLICATIONS

Leo Scandi Pack, posted at wellis.com, no posting date, retrieved Mar. 21, 2022, online, URL:<https://www.wellis.com/us/products/spa/myline/leo-scandi-pack> (Year: 2022).\*

\* cited by examiner

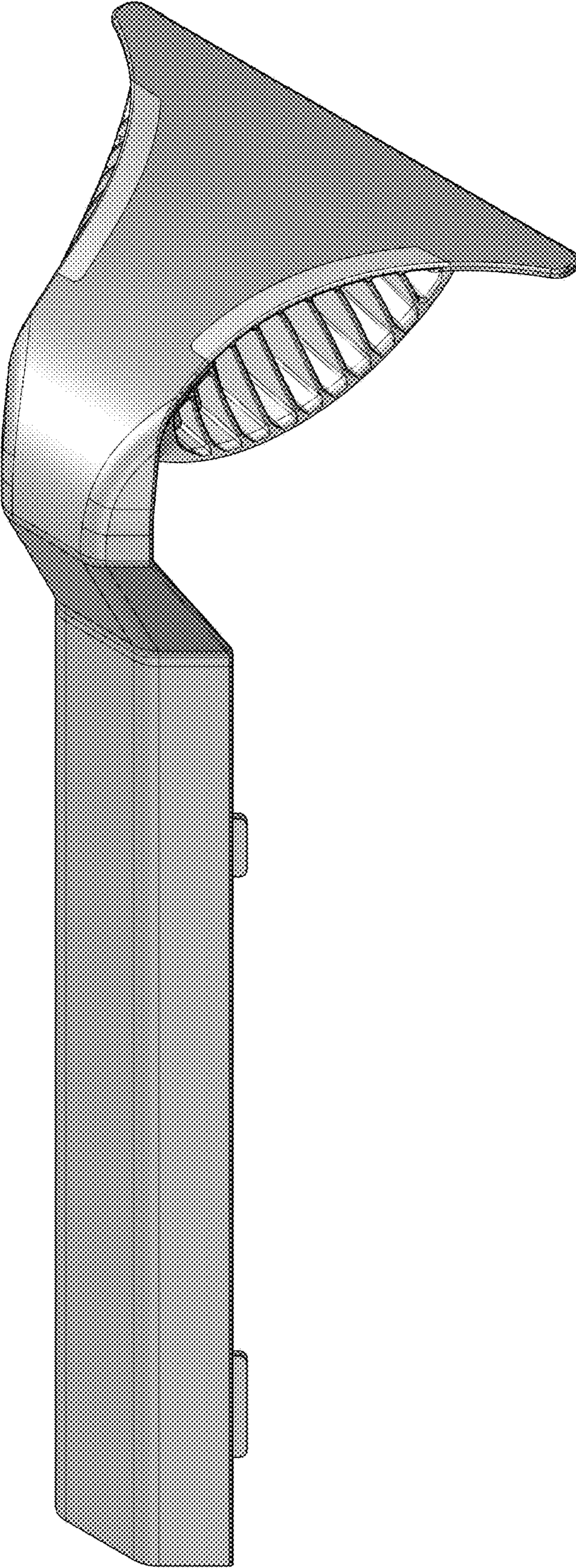


FIG. 1

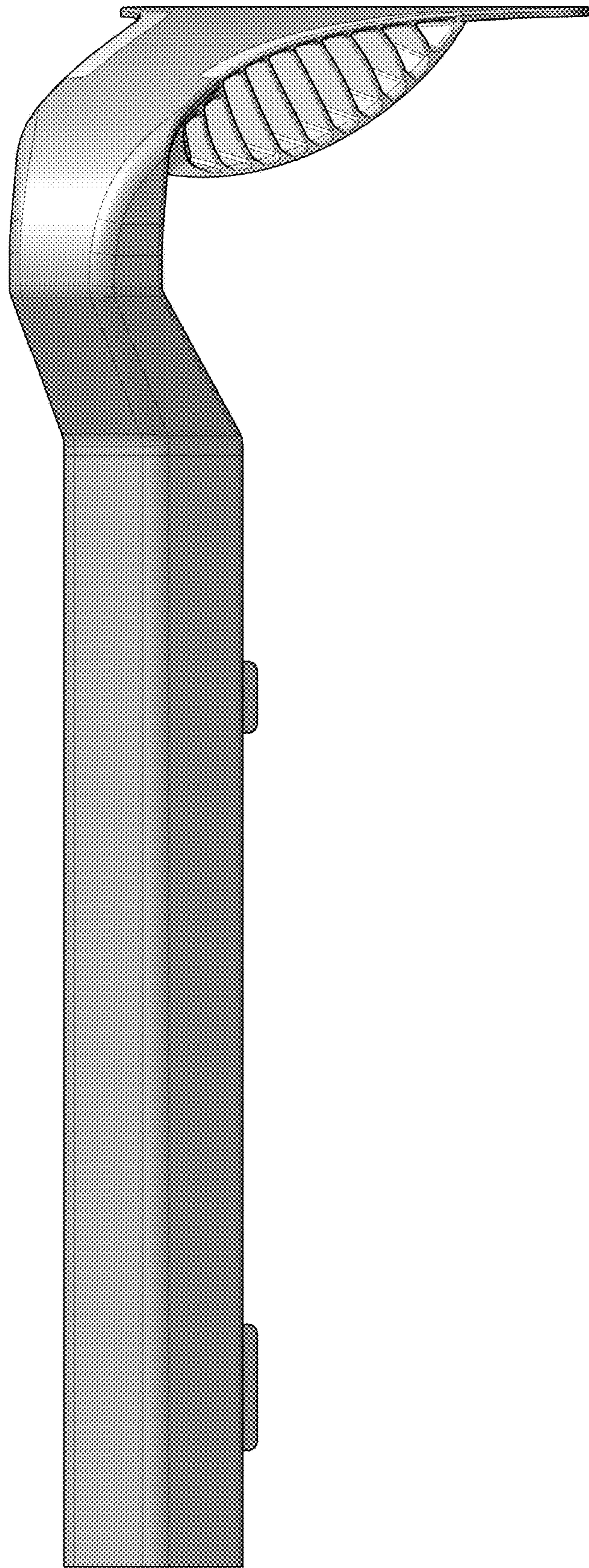


FIG. 2

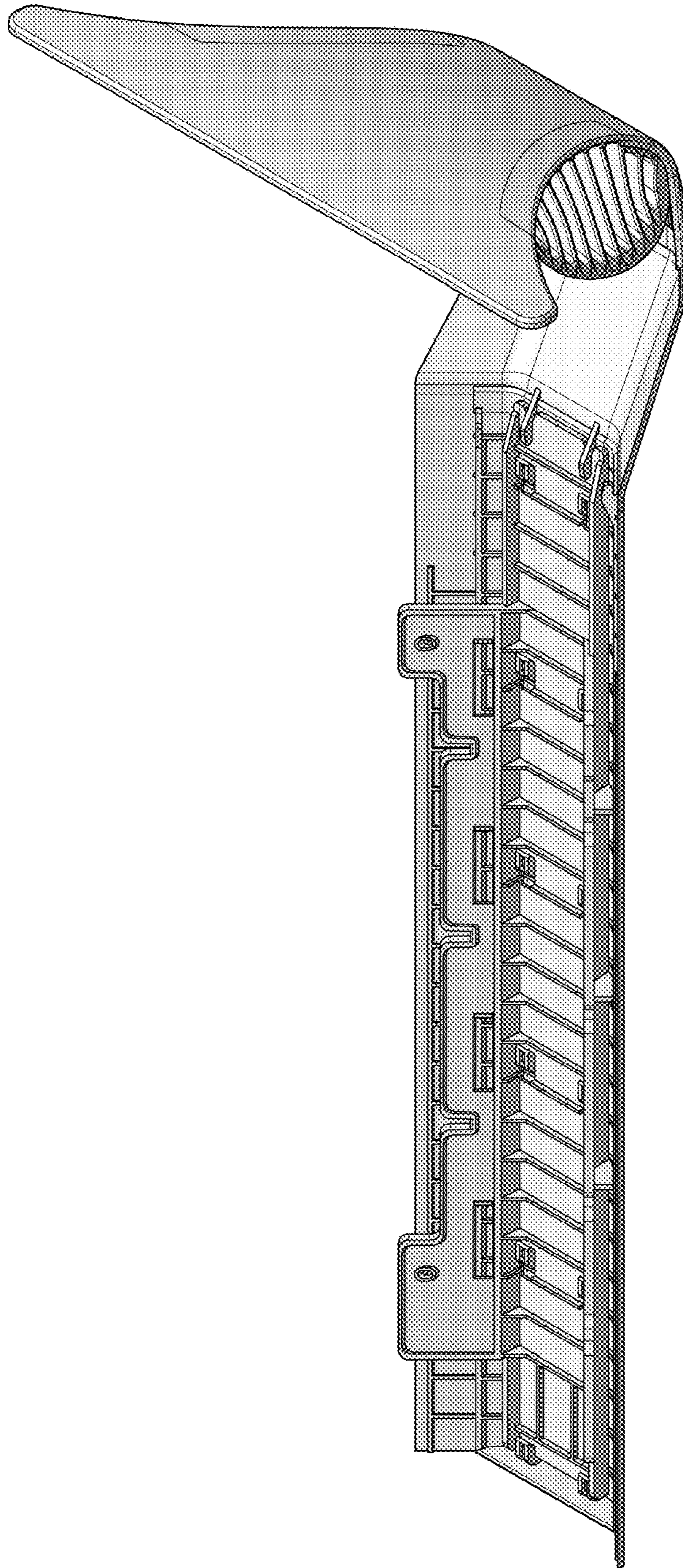


FIG. 3

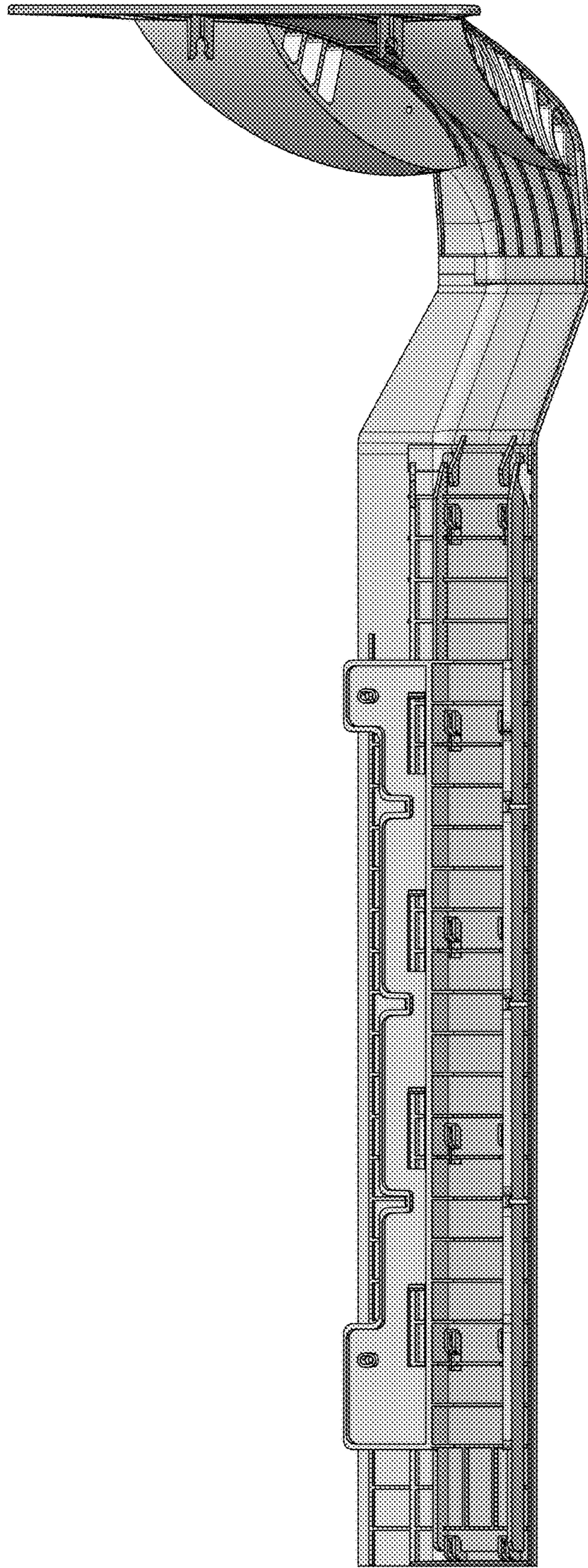


FIG. 4

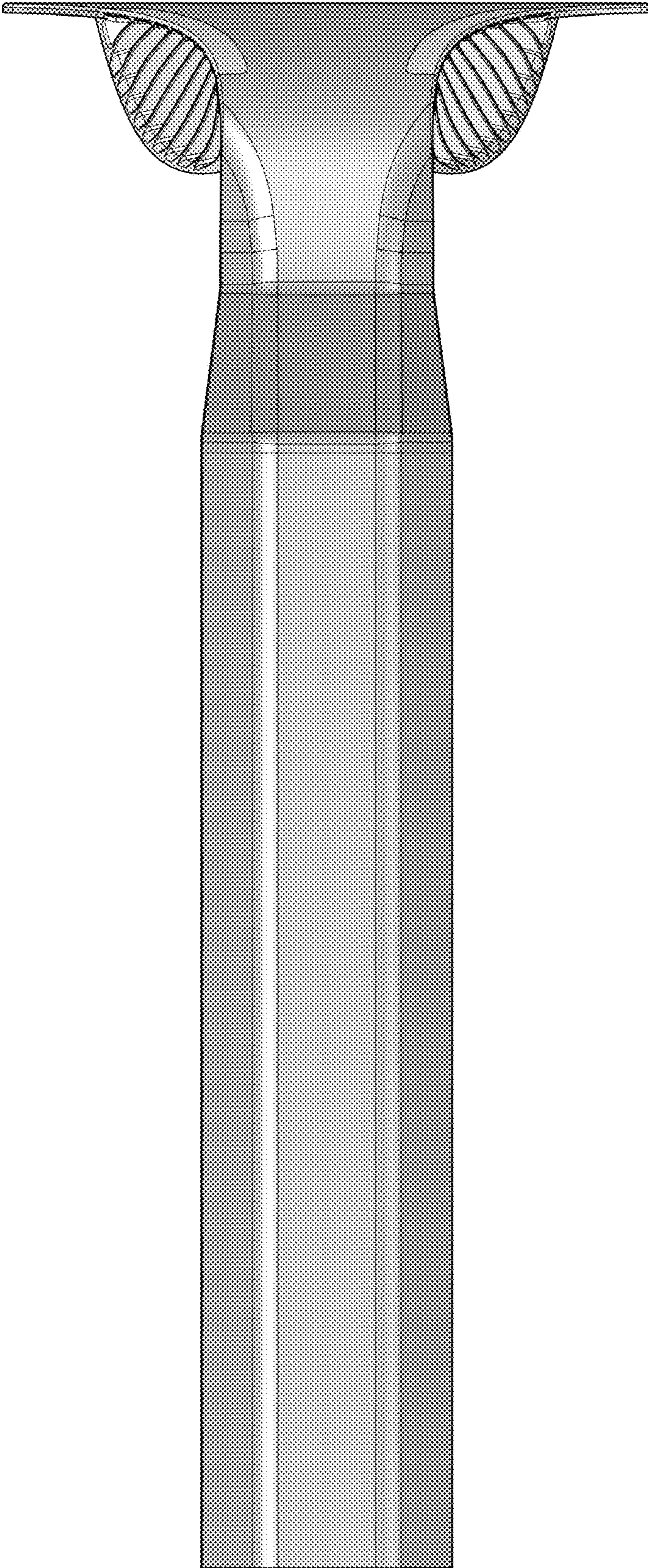


FIG. 5

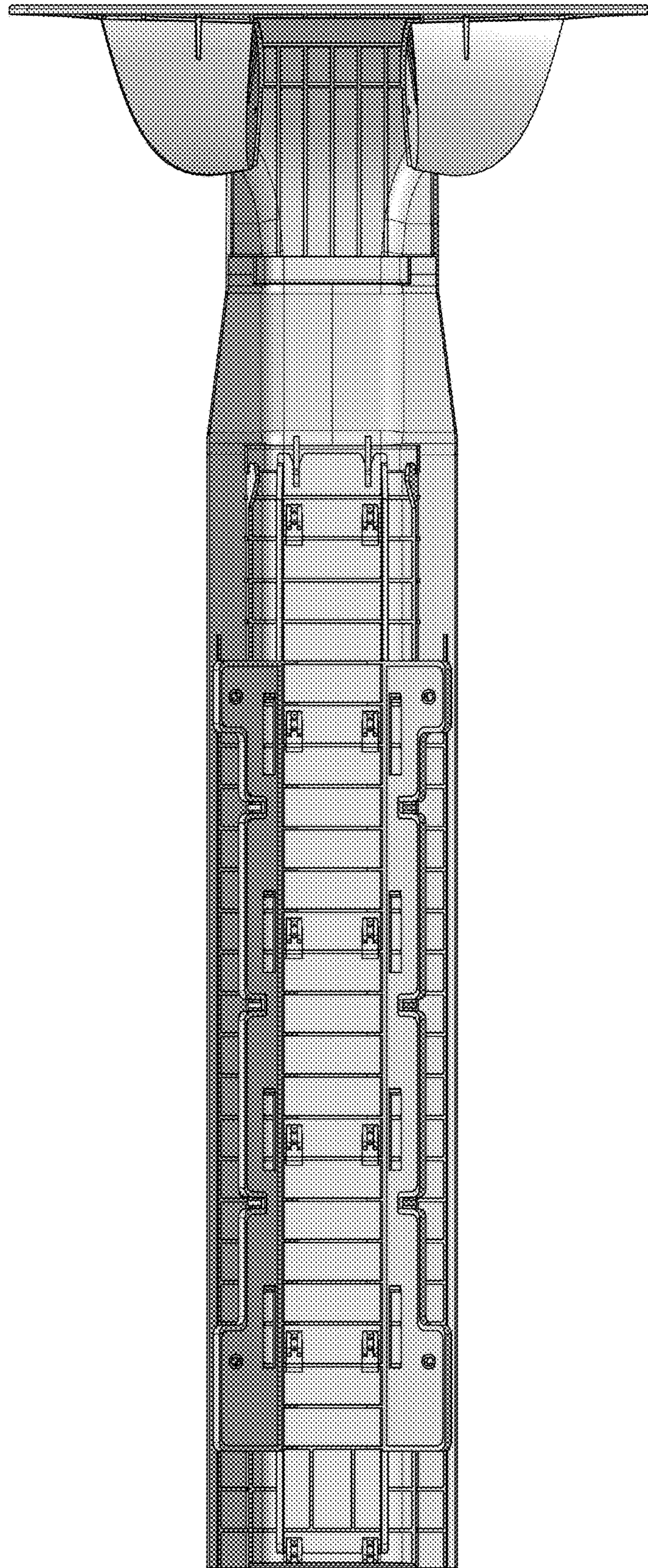


FIG. 6



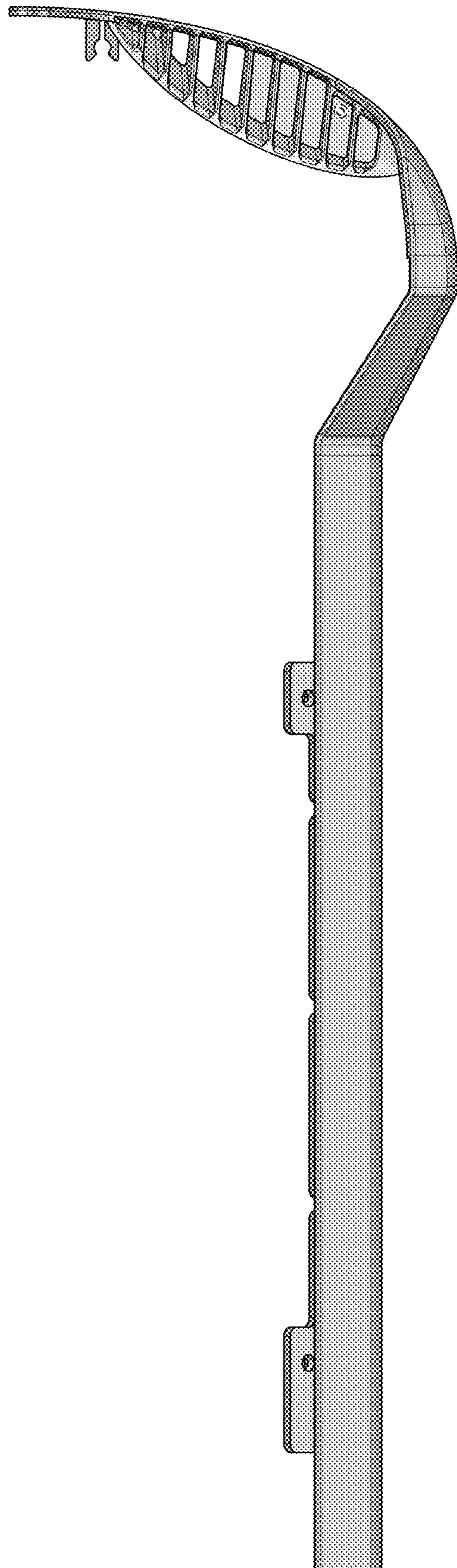


FIG. 7

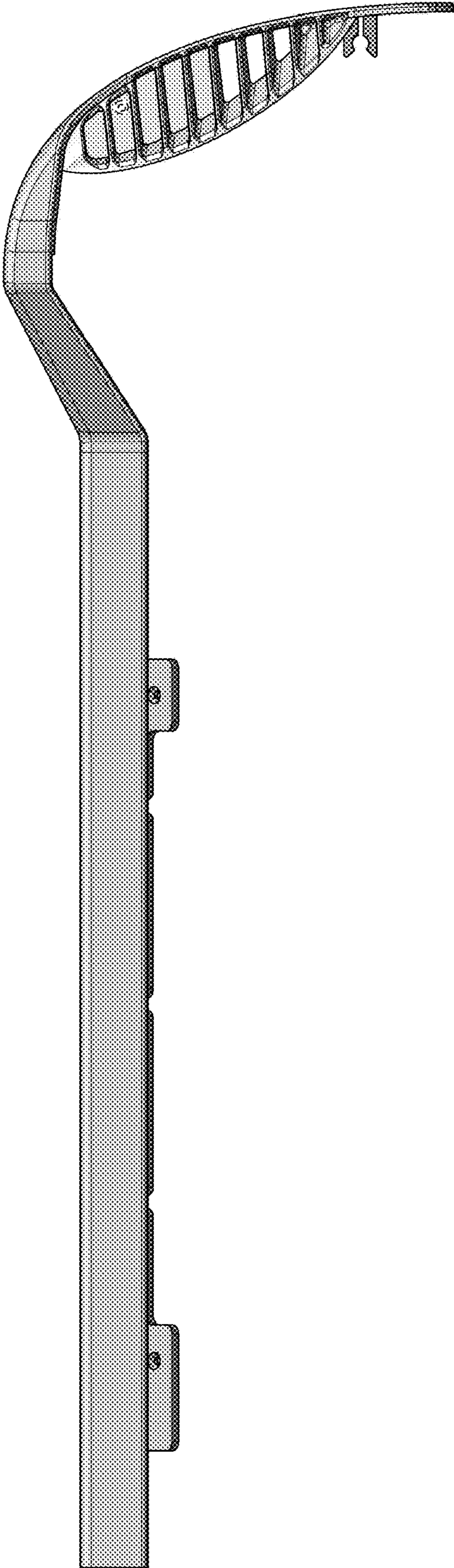


FIG. 8

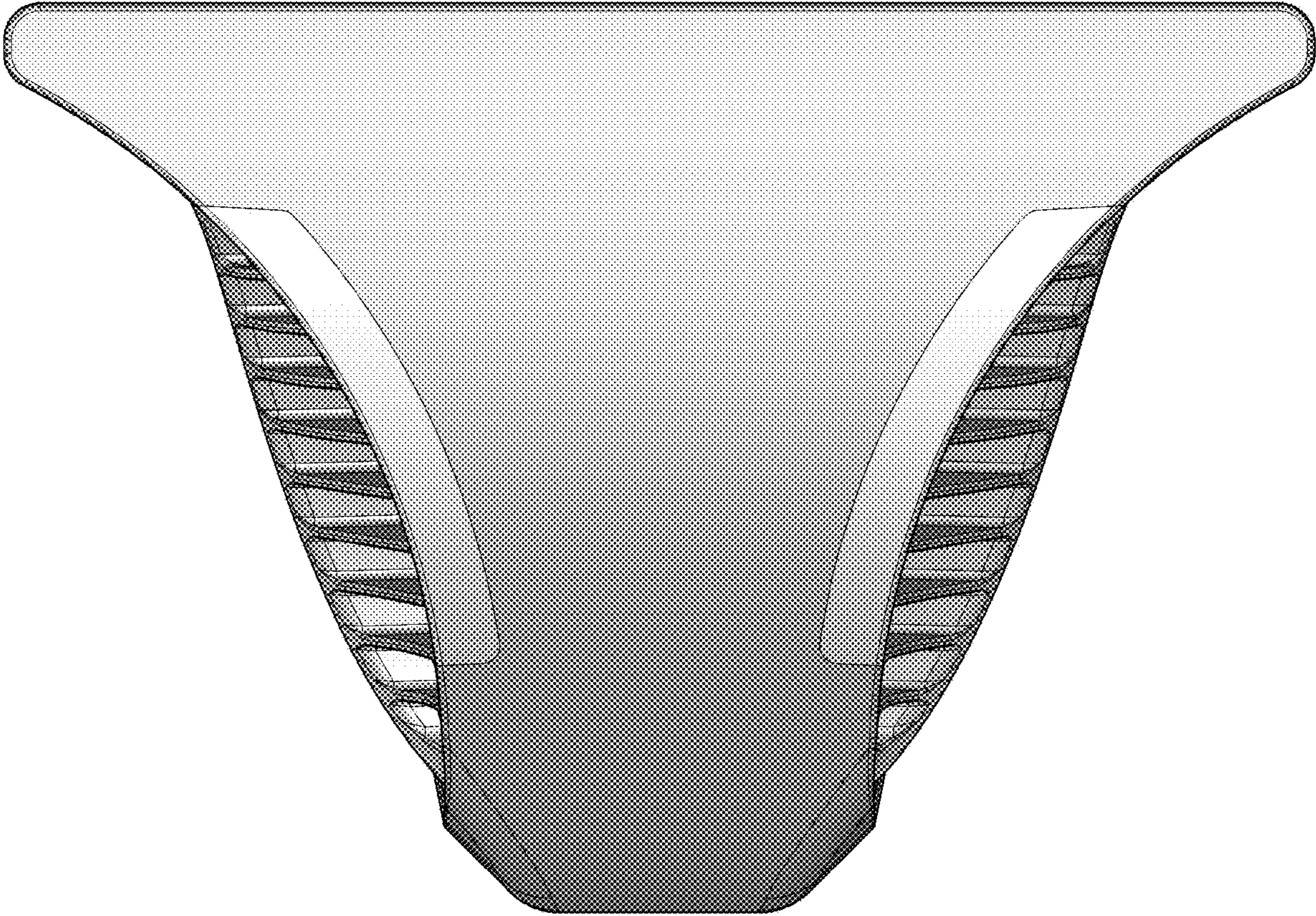


FIG. 9

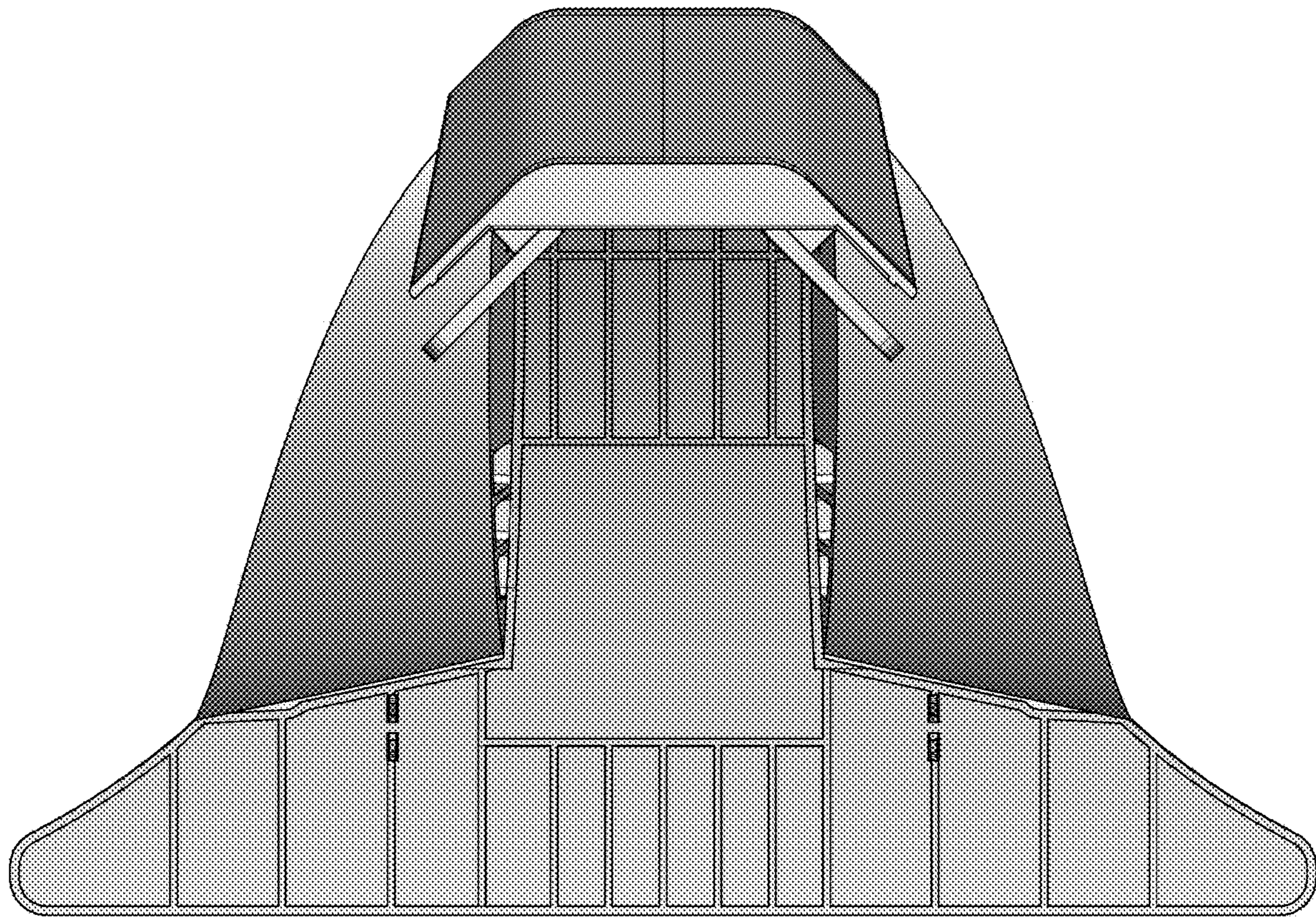


FIG. 10