



US00D988524S

(12) **United States Design Patent** (10) **Patent No.:** **US D988,524 S**  
**Attila et al.** (45) **Date of Patent:** **\*\* Jun. 6, 2023**

(54) **SPA FILTER COVER PANEL**  
(71) Applicant: **Wellis USA Inc.**, Miami, FL (US)  
(72) Inventors: **Szomor Attila**, Inárcs (HU); **Lakatos József**, Inárcs (HU); **Szmoleniczki Árpád**, Kiskunlacháza (HU)

D596,266 S \* 7/2009 Tatum ..... D23/209  
D598,088 S \* 8/2009 Foerster ..... D23/365  
D606,099 S \* 12/2009 Lawyer ..... D15/7  
D644,335 S \* 8/2011 Larsen ..... D24/204  
D787,656 S \* 5/2017 Yoo ..... D23/351

(Continued)

FOREIGN PATENT DOCUMENTS

(73) Assignee: **Wellis USA Inc.**, Miami, FL (US)  
(\*\*) Term: **15 Years**

CA 185888 \* 6/2020  
CA 187847 \* 10/2020

OTHER PUBLICATIONS

(21) Appl. No.: **29/763,405**  
(22) Filed: **Dec. 22, 2020**

Paris, posted at wellis.com, no posting date, retrieved Mar. 21, 2022, online, URL:https://Avwww.wellis.com/us/products/spa/cityline/paris (Year: 2022).\*

(30) **Foreign Application Priority Data**

(Continued)

Jun. 25, 2020 (EM) ..... 008020366-0025  
Jun. 25, 2020 (EM) ..... 008020366-0026

*Primary Examiner* — Mary Shannon Malley  
(74) *Attorney, Agent, or Firm* — Wood Herron & Evans LLP

(51) **LOC (14) Cl.** ..... **23-01**

(57) **CLAIM**

(52) **U.S. Cl.**  
USPC ..... **D23/261**

The ornamental design for a spa filter cover panel, as shown and described.

(58) **Field of Classification Search**  
USPC ..... D24/201–205; D23/209–210, 259–261, D23/303, 304, 305, 306, 364, 365  
CPC ..... E04H 4/12; E04H 4/1218; E04H 4/1254; A61H 33/6005; A61H 33/6021; A61H 33/6089; A61H 33/6094; A61H 2035/004; A61H 35/006; A47K 3/022; A47K 3/062  
See application file for complete search history.

**DESCRIPTION**

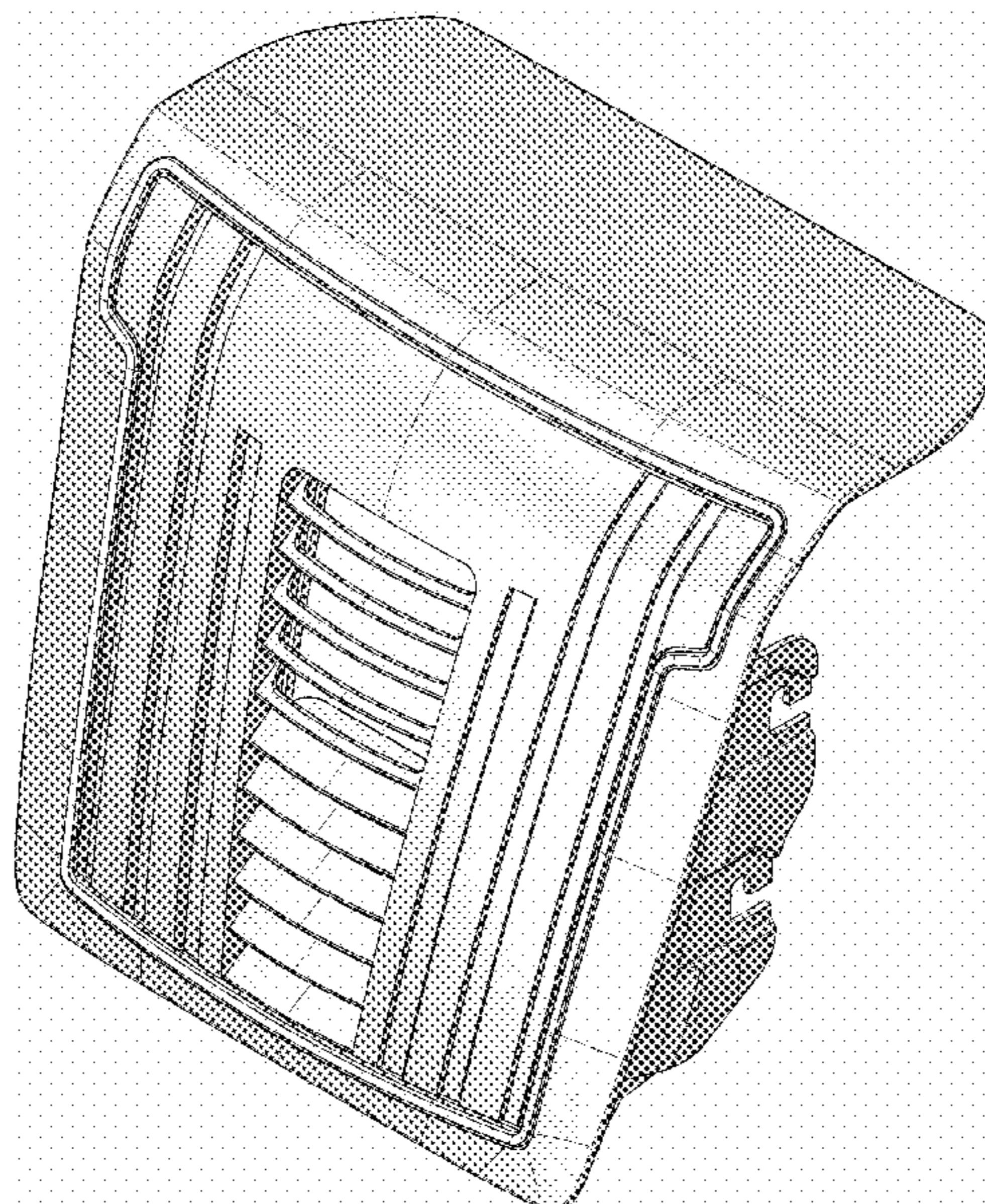
(56) **References Cited**

U.S. PATENT DOCUMENTS

D402,746 S \* 12/1998 Clark ..... D23/355  
D405,183 S \* 2/1999 Larsen ..... D24/204  
D405,533 S \* 2/1999 Larsen ..... D24/204  
D428,155 S \* 7/2000 Chalberg ..... D24/204  
D558,870 S \* 1/2008 Triplett ..... D23/364  
D590,951 S \* 4/2009 Larsen ..... D24/204

FIG. 1 is a front right top perspective view of a spa filter cover panel according to the present invention.  
FIG. 2 is a front right perspective view thereof.  
FIG. 3 is a rear left top perspective view thereof.  
FIG. 4 is a rear left perspective view thereof.  
FIG. 5 is a front view thereof.  
FIG. 6 is a rear view thereof.  
FIG. 7 is a left side view thereof.  
FIG. 8 is a right side view thereof.  
FIG. 9 is a top view thereof; and,  
FIG. 10 is a bottom view thereof.  
The broken lines illustrate portions of the spa filter cover panel that do not form part of the claimed design.

**1 Claim, 10 Drawing Sheets**



(56)

**References Cited**

U.S. PATENT DOCUMENTS

D916,249 S \* 4/2021 Badita ..... D23/261  
D923,154 S \* 6/2021 Wright ..... D23/261

OTHER PUBLICATIONS

Leo Scandi Pack, posted at wellis.com, no posting date, retrieved  
Mar. 21, 2022, online, URL:[https://www.wellis.com/us/products/  
spa/myline/leo-scandi-pack](https://www.wellis.com/us/products/spa/myline/leo-scandi-pack) (Year: 2022).\*

\* cited by examiner

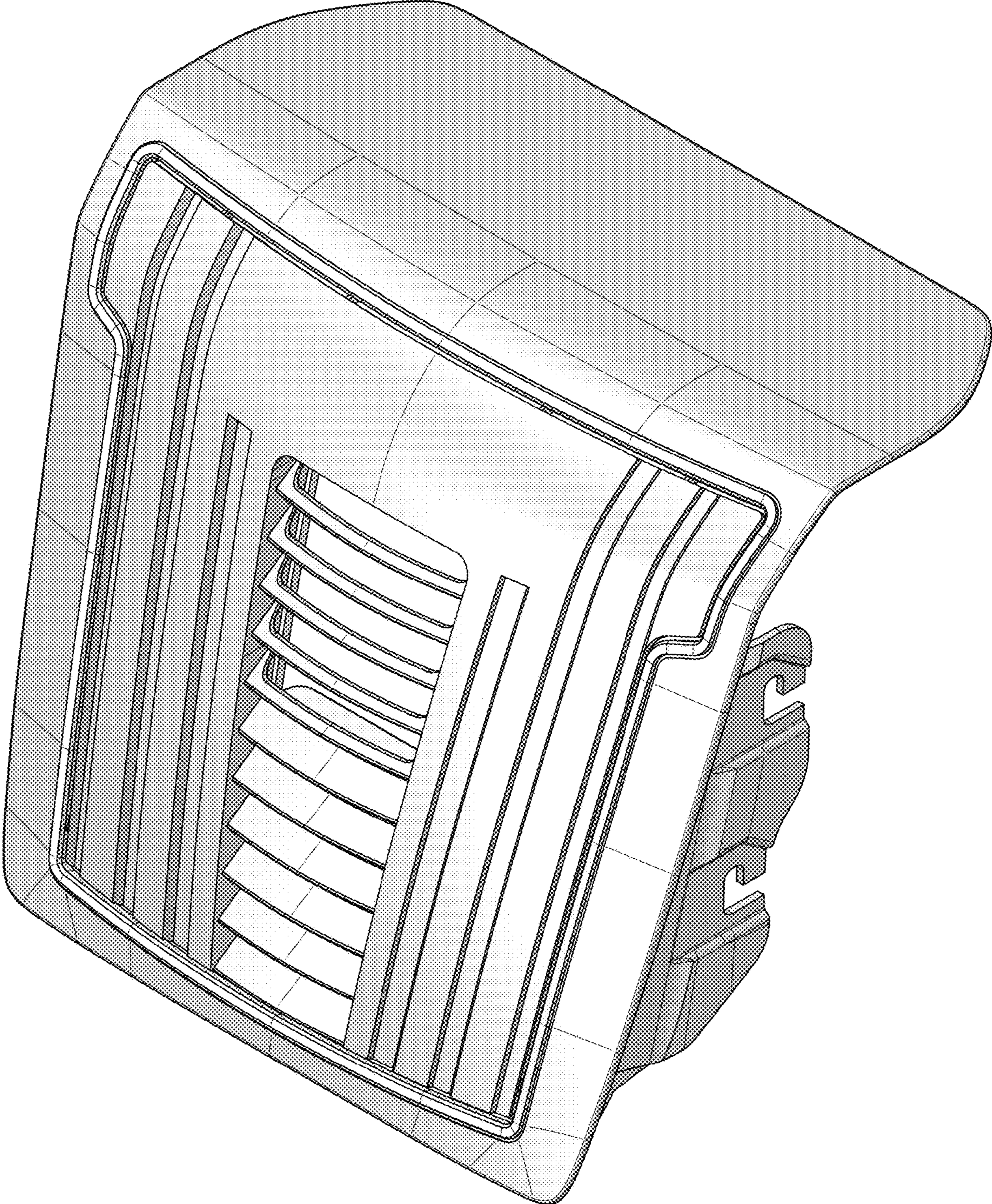


FIG. 1

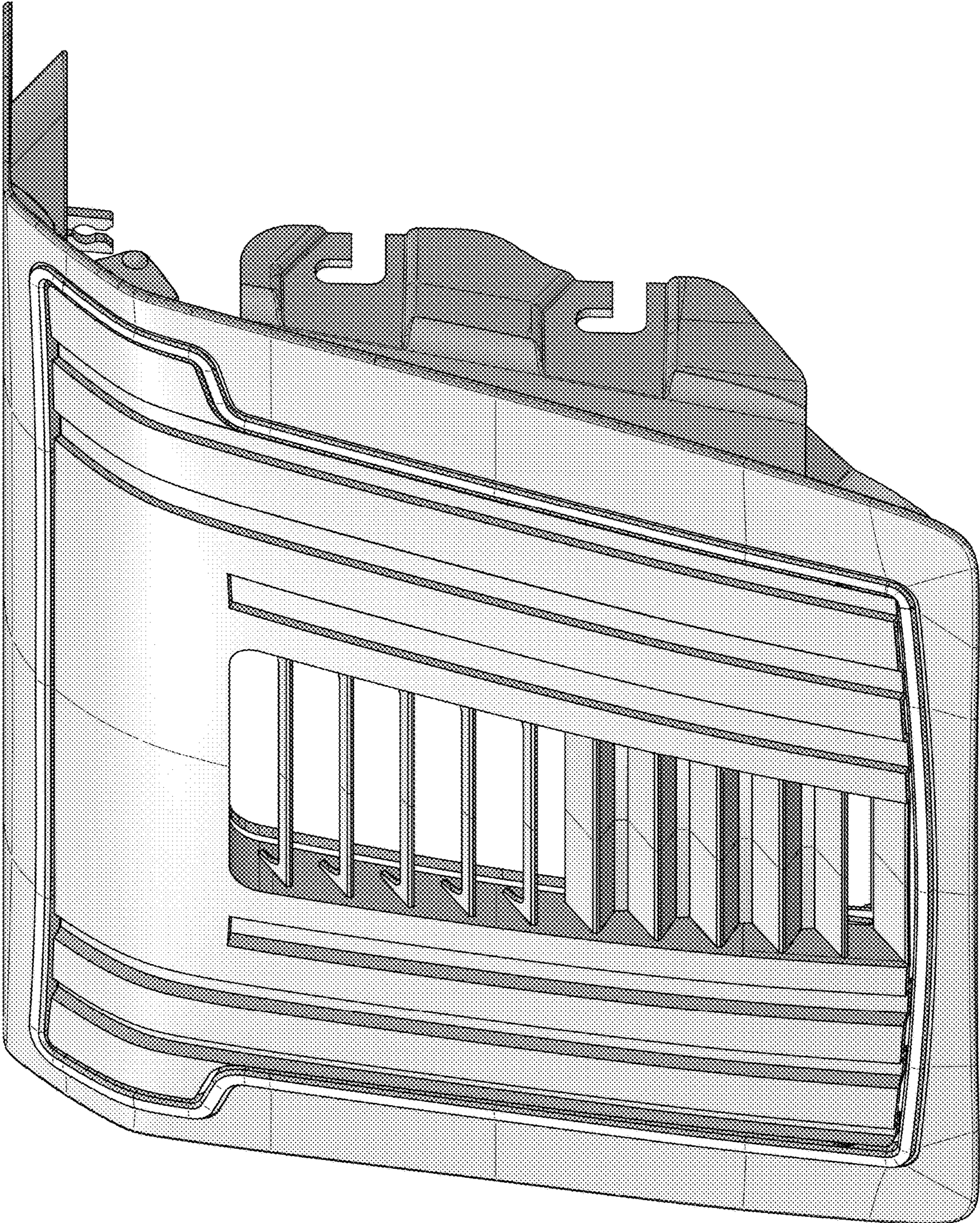


FIG. 2

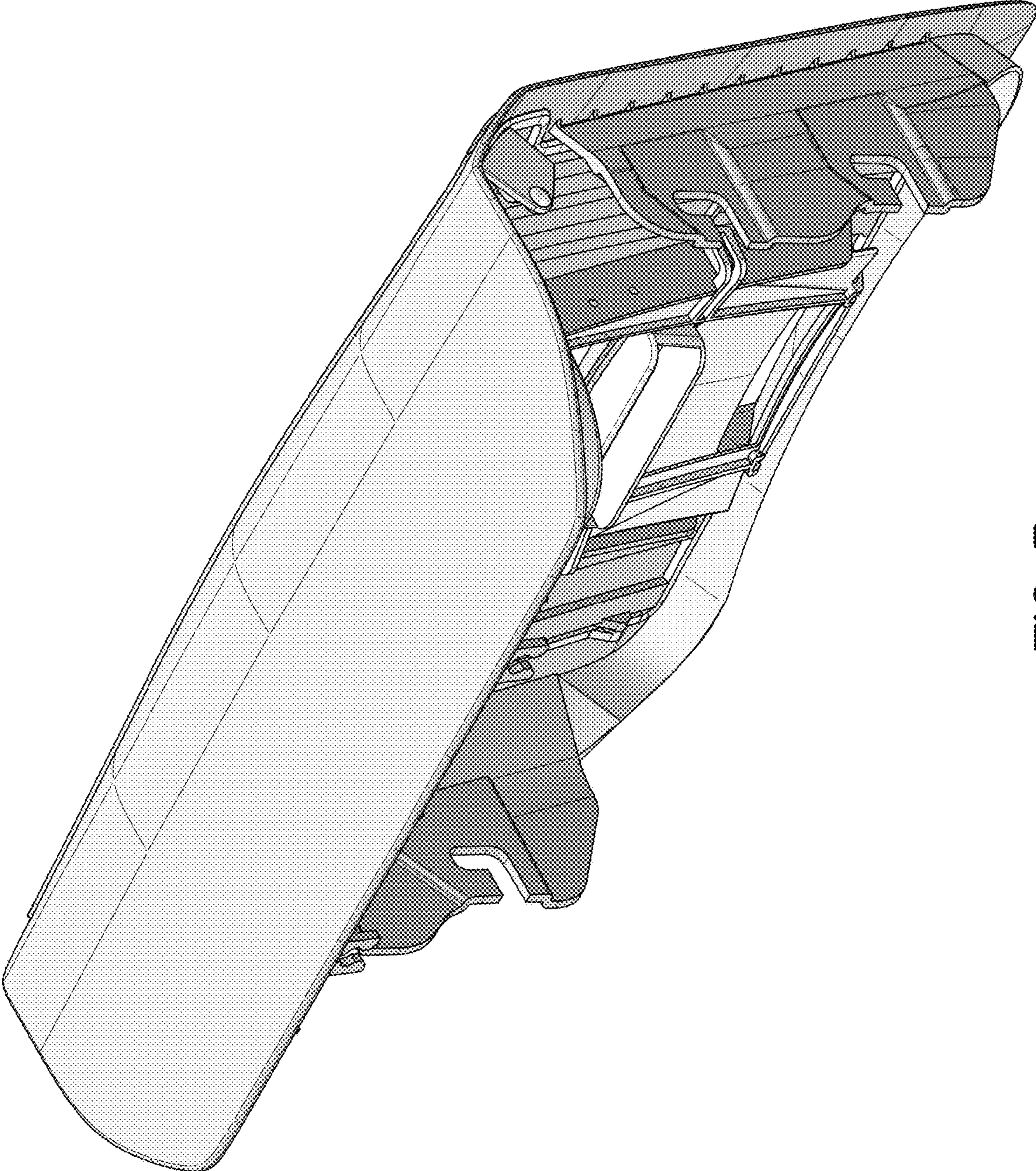


FIG. 3

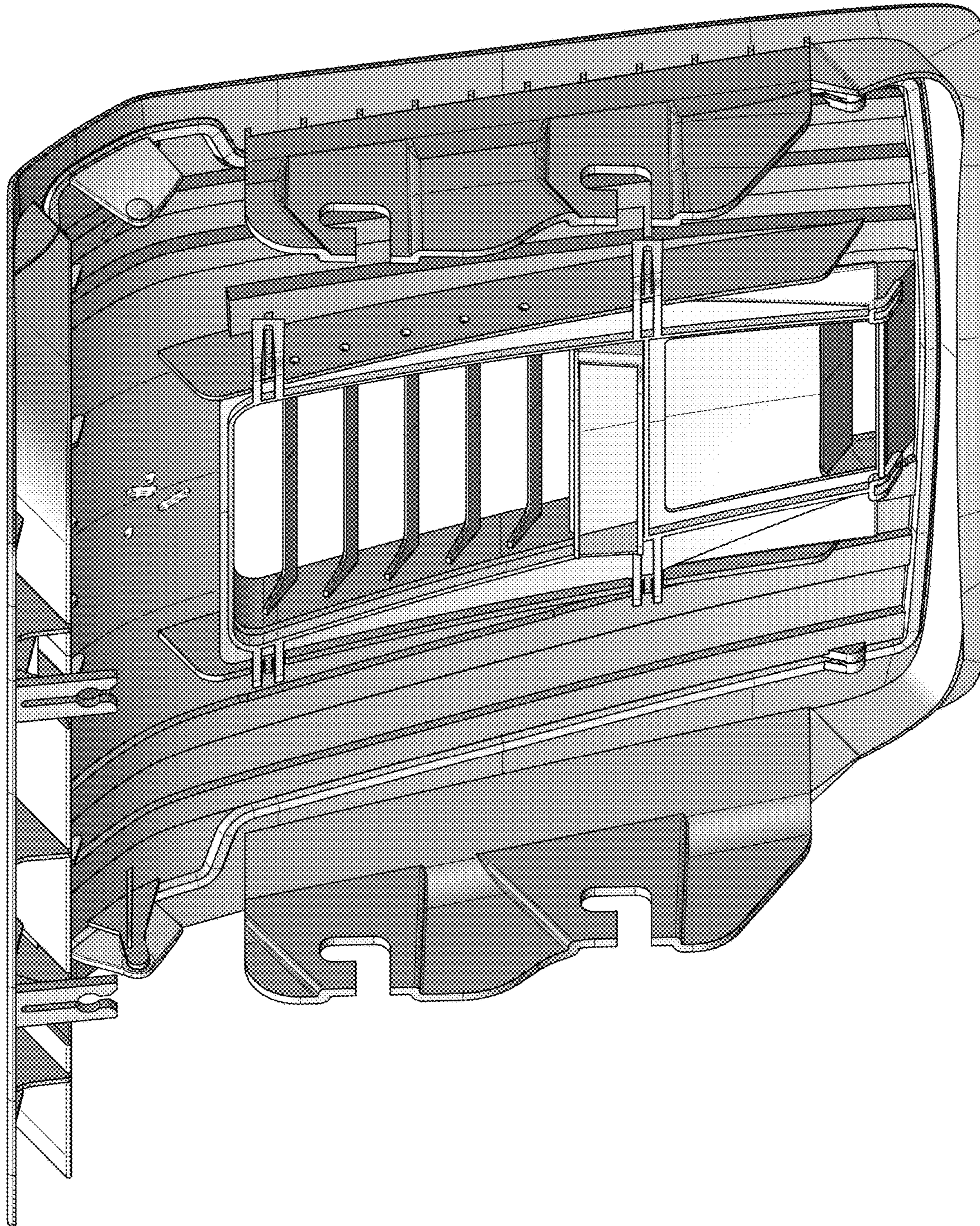


FIG. 4

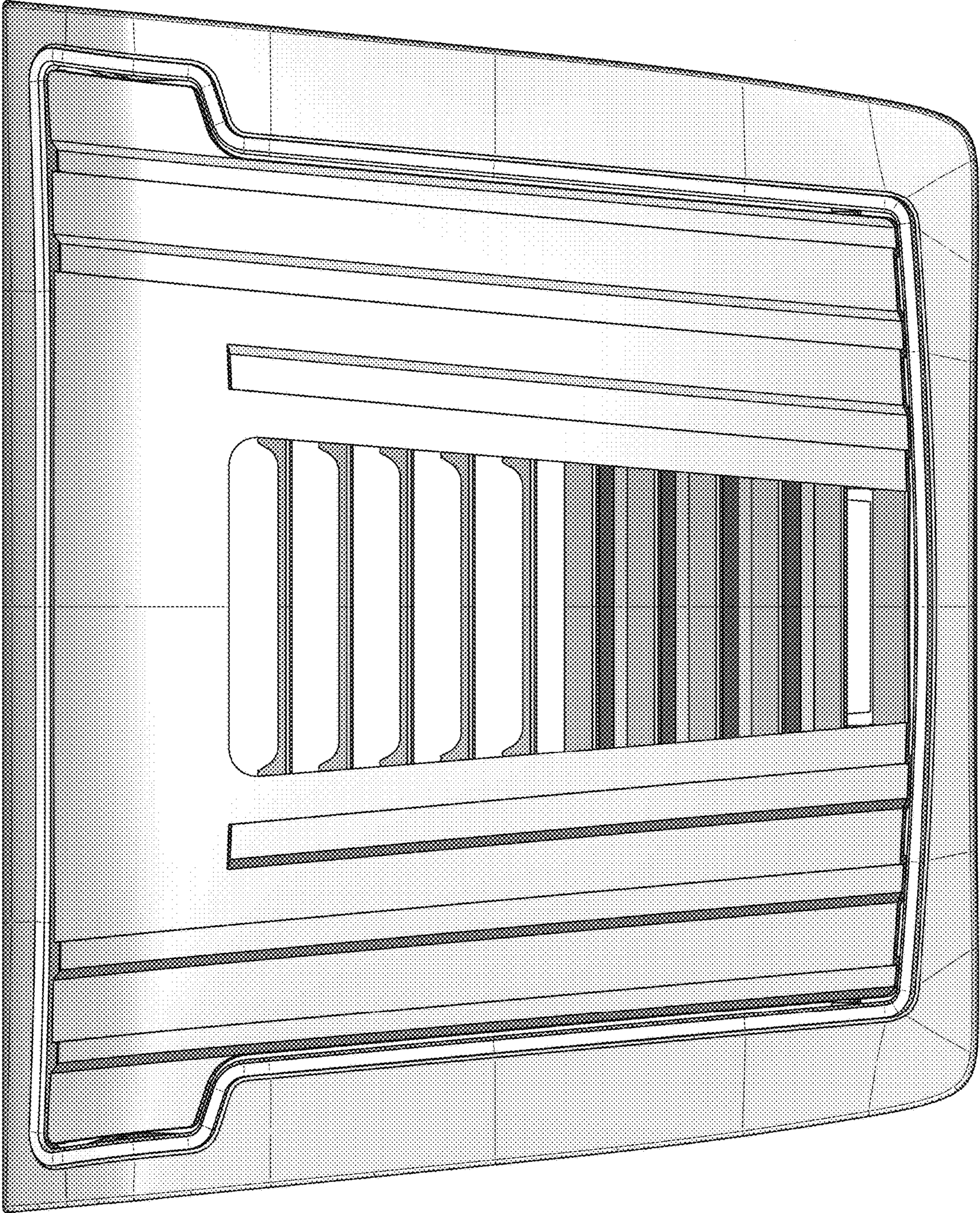


FIG. 5

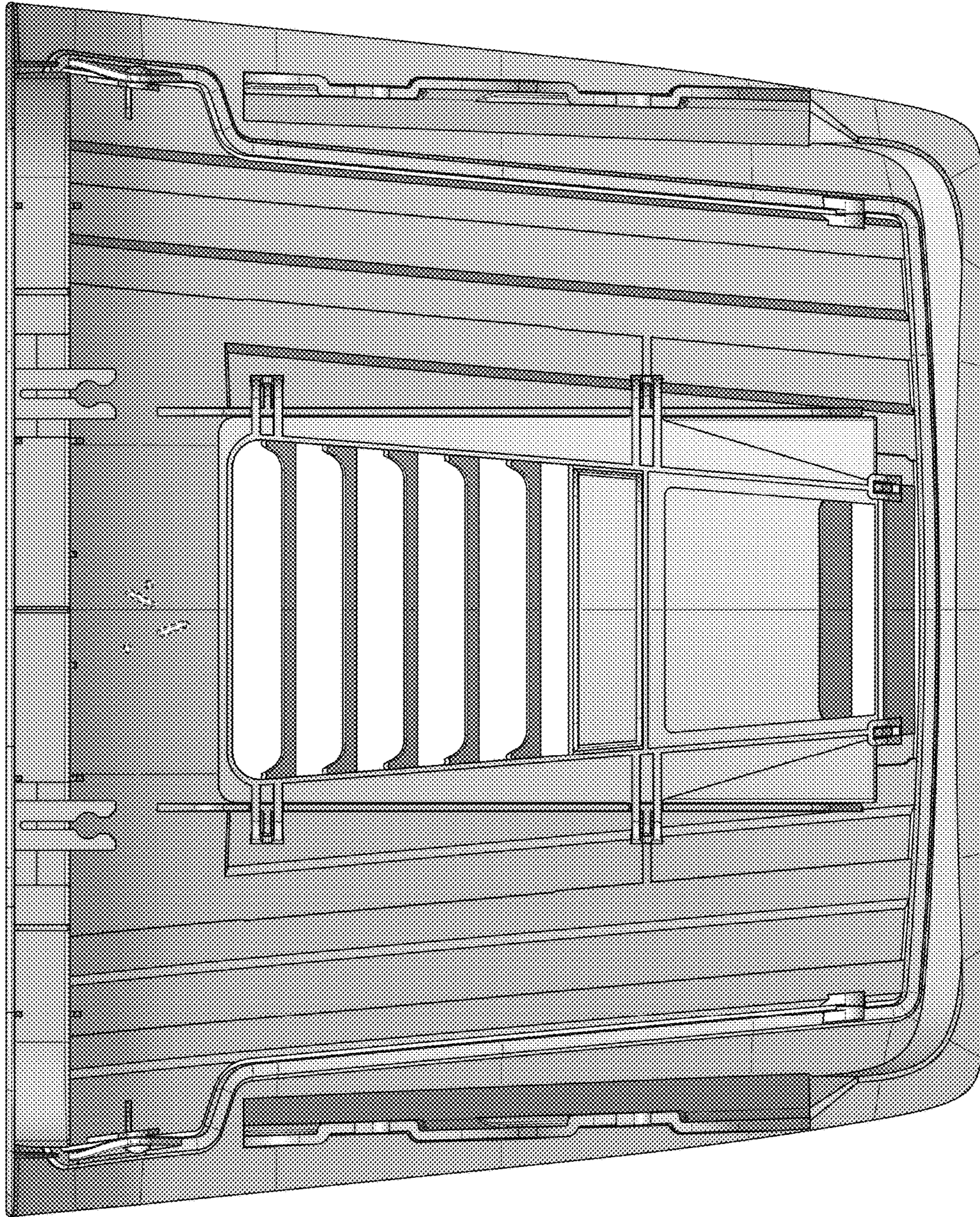


FIG. 6



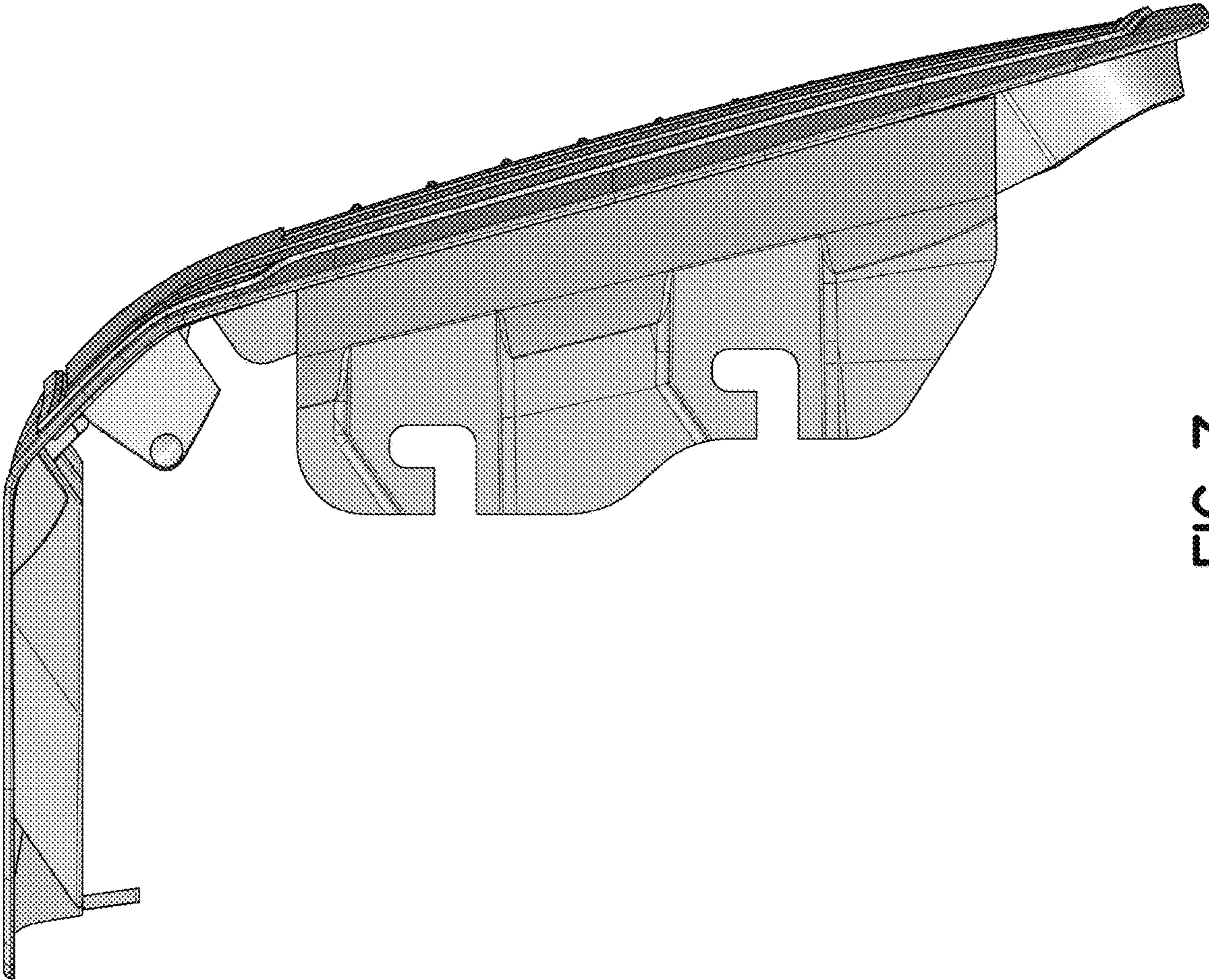


FIG. 7

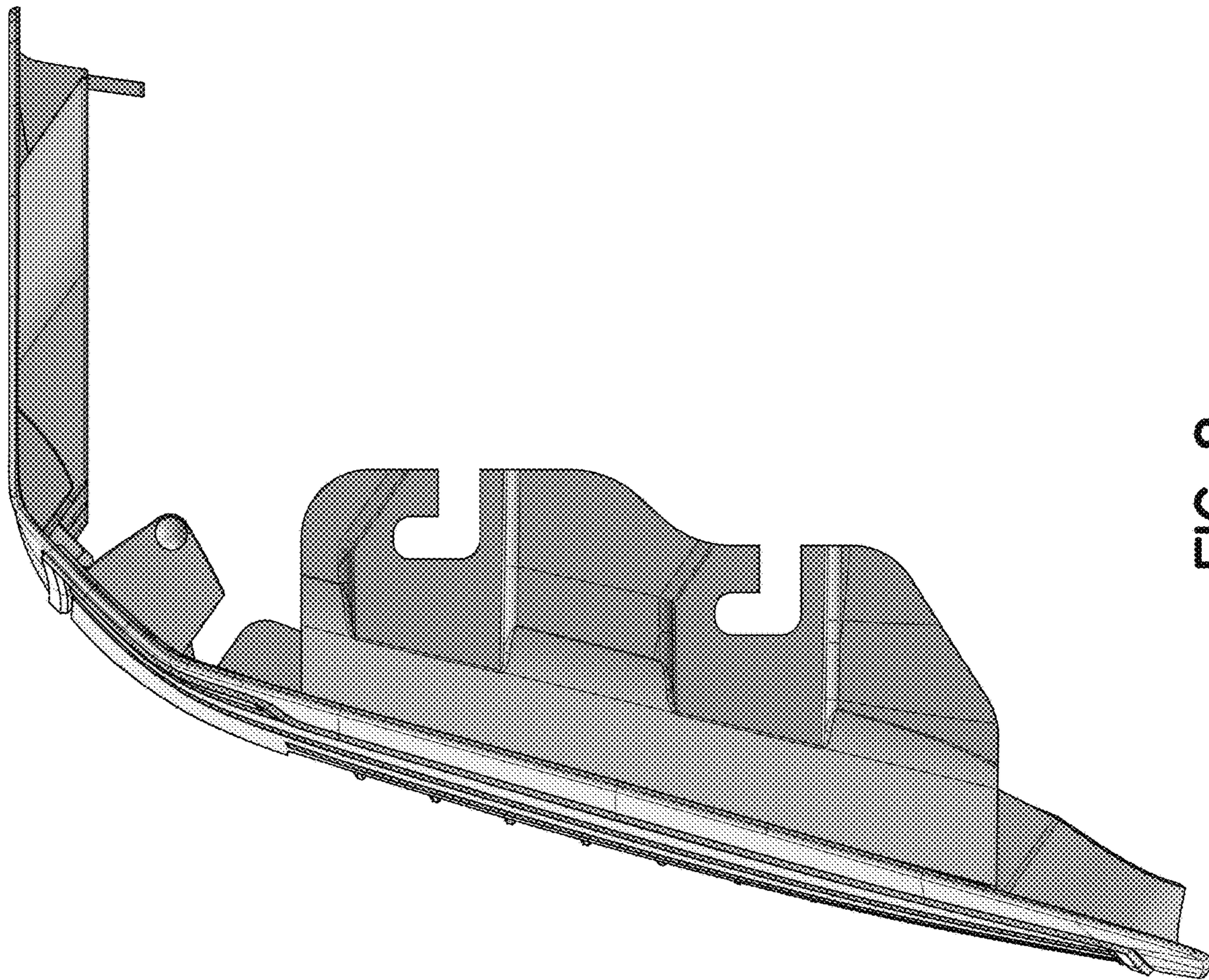


FIG. 8

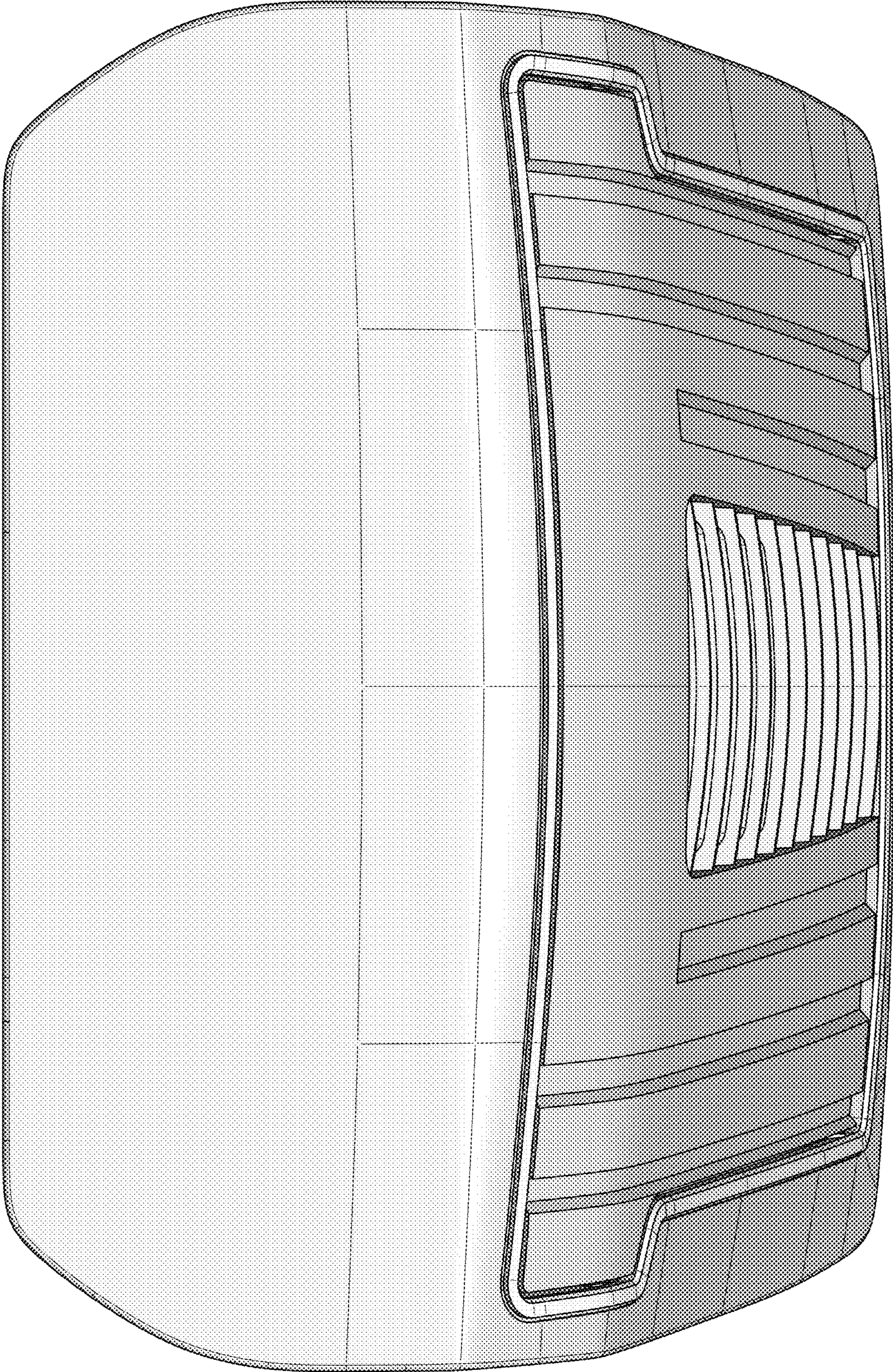


FIG. 9

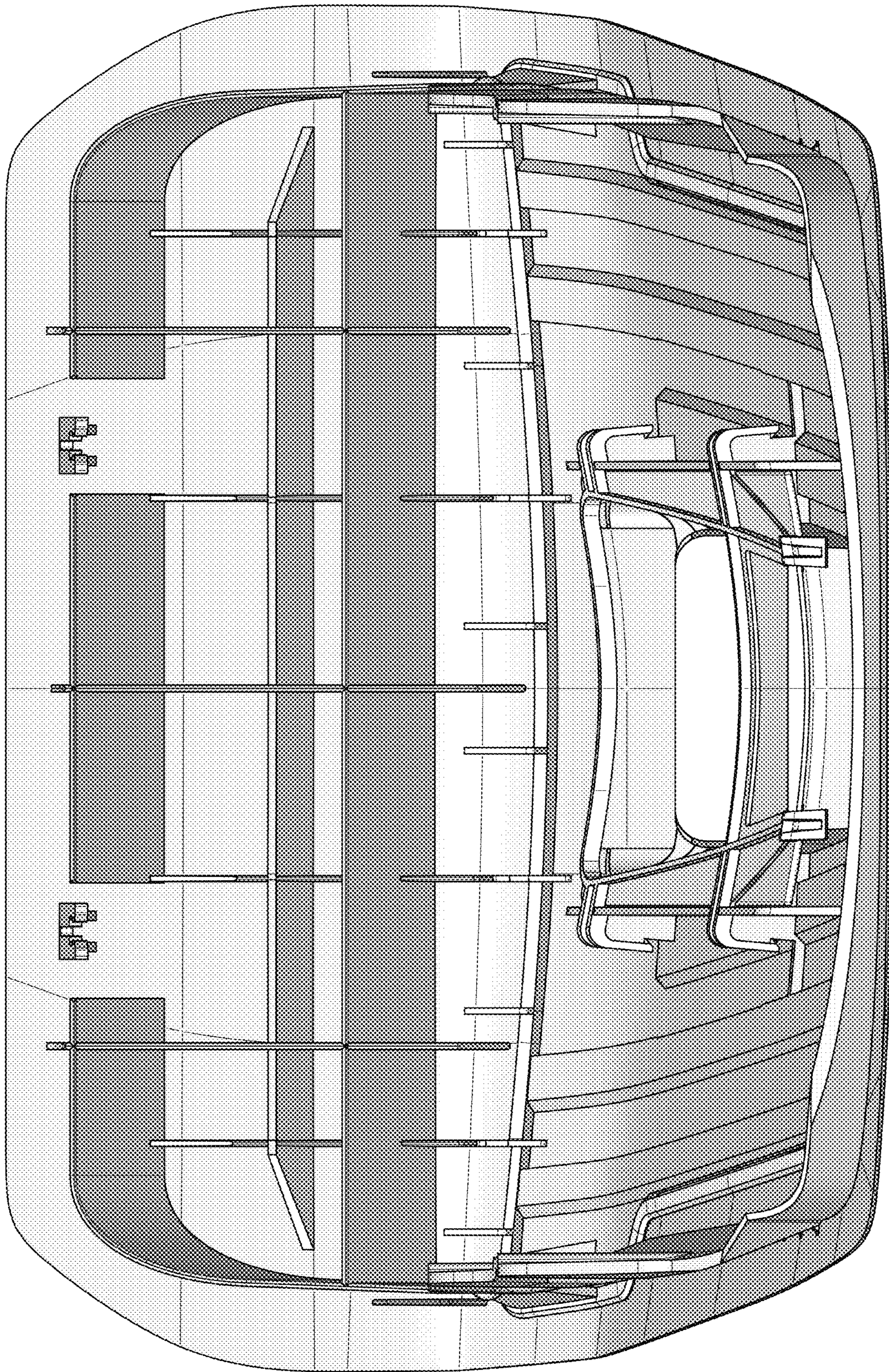


FIG. 10