



US00D988522S

(12) **United States Design Patent**
Zhang

(10) **Patent No.:** **US D988,522 S**
(45) **Date of Patent:** **** Jun. 6, 2023**

(54) **BABY FEEDER**

FOREIGN PATENT DOCUMENTS

(71) Applicant: **THINK GREEN LIMITED**, Auckland (NZ)

CN 305794278 S 5/2020
CN 306048366 S 9/2020

(72) Inventor: **Shuting Zhang**, Hubei (CN)

OTHER PUBLICATIONS

(73) Assignee: **THINK GREEN LIMITED**, Auckland (NZ)

“Haakaa: Feeder-Teether”. Found online Jan. 6, 2022 at amazon.com. Reference dated Apr. 15, 2020. Retrieved from <https://www.amazon.com/Baby-Fruit-Food-Feeder-Pacifier/dp/B0836XKL7Y/>.

(**) Term: **15 Years**

(Continued)

(21) Appl. No.: **29/846,621**

Primary Examiner — Kendra Leslie Hamilton

(22) Filed: **Jul. 18, 2022**

(57) **CLAIM**

(30) **Foreign Application Priority Data**

The ornamental design for a baby feeder, as shown and described.

Mar. 29, 2022 (CN) 202230170944.9

DESCRIPTION

(51) **LOC (14) Cl.** **24-04**

(52) **U.S. Cl.**
USPC **D24/195; D7/642**

(58) **Field of Classification Search**
USPC D24/193, 194, 195, 214; D30/160;
D1/101, 104, 106, 111, 114, 115, 125,
D1/199; D21/483, 514, 576, 587, 588,
D21/606, 607, 608, 610; D11/79;
D7/642

CPC A61J 9/005; A61J 15/0011; A61J 17/02;
A61J 17/107

See application file for complete search history.

FIG. 1 is a top, front, right side perspective view of a baby feeder, showing my new design;
FIG. 2 is a bottom, rear, right side perspective view thereof;
FIG. 3 is a front elevation view thereof;
FIG. 4 is a rear elevation view thereof;
FIG. 5 is a left side elevation view thereof;
FIG. 6 is a right side elevation view thereof;
FIG. 7 is a top plan view thereof;
FIG. 8 is a bottom plan view thereof;
FIG. 9 is a top, front, right side perspective view of the baby feeder of FIG. 1, shown exploded for clarity of disclosure;
FIG. 10 is a bottom, rear, right side perspective view thereof;
FIG. 11 is a top, front, right side perspective view of the baby feeder of FIG. 1, shown in a first alternative condition of use; and,
FIG. 12 is top, front, right side perspective view of the baby feeder of FIG. 1, shown in a second alternative condition of use.

The broken lines shown in the drawings depict portions of the baby feeder that form no part of the claimed design.

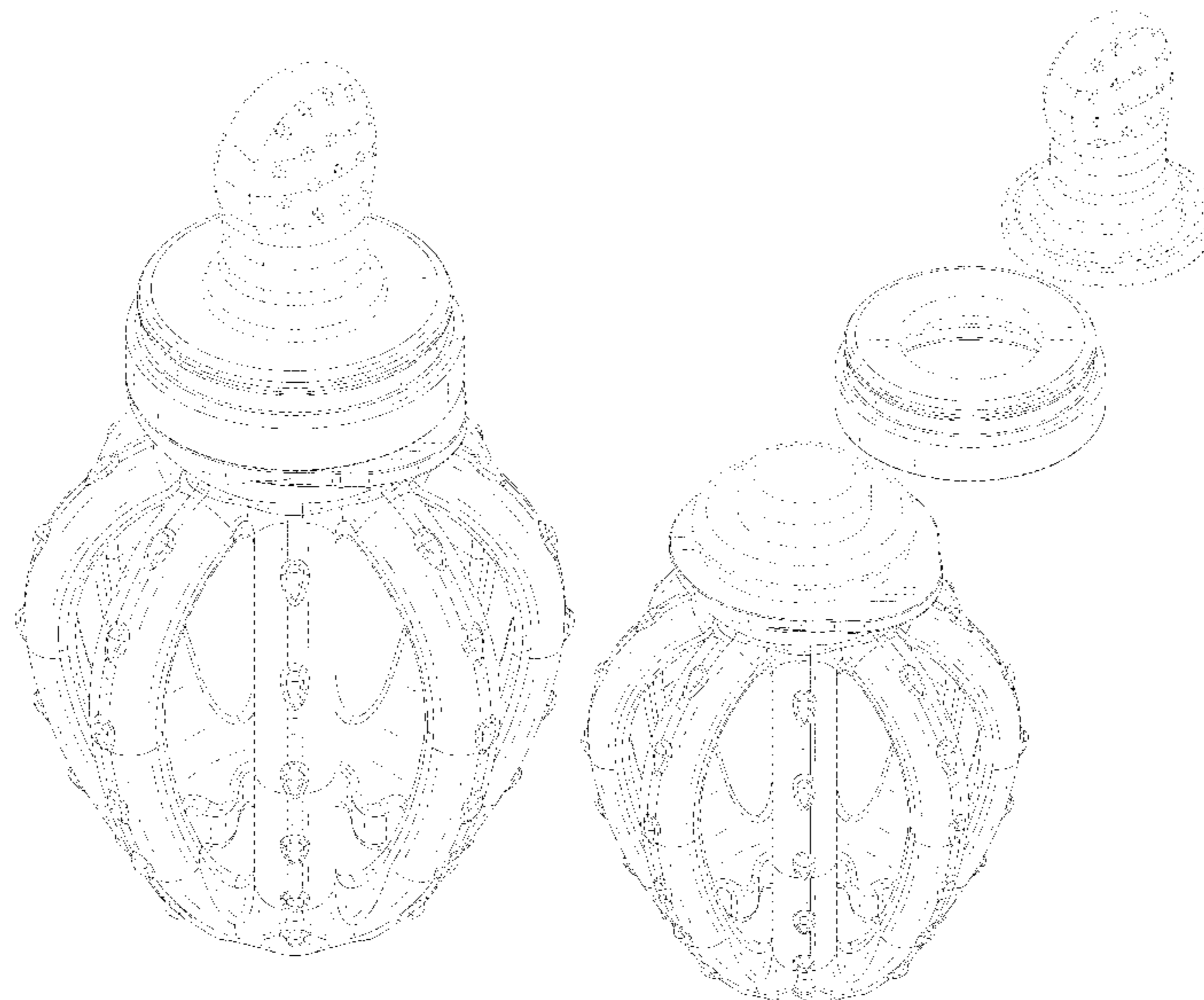
(56) **References Cited**

U.S. PATENT DOCUMENTS

6,123,600 A * 9/2000 Yuen A63H 11/205
446/280
D473,021 S * 4/2003 Gourley D30/160
D705,603 S * 5/2014 Dicocco D7/642
D736,572 S * 8/2015 Trumbo D7/642

(Continued)

1 Claim, 12 Drawing Sheets



(56)

References Cited

U.S. PATENT DOCUMENTS

D836,786 S * 12/2018 Laskowski D24/194
D863,569 S * 10/2019 Guan D24/195
D866,774 S 11/2019 Wang
D895,819 S 9/2020 Douglas et al.
D904,628 S * 12/2020 Kwon D24/195
D971,699 S * 12/2022 Wilson D7/642
2004/0210253 A1 * 10/2004 Viggiano A61J 9/00
606/236
2005/0245861 A1 * 11/2005 Dunn A61J 9/085
604/77
2009/0287247 A1 * 11/2009 Chipperson A61J 11/00
606/235
2014/0074165 A1 * 3/2014 Paxson A61J 17/02
606/235
2016/0262986 A1 * 9/2016 Jones A61J 11/0085

OTHER PUBLICATIONS

“Itzy Ritzy: Bitzy-Biter Lemon Teething Ball”. Found online Jan. 21, 2020 at amazon.com. Reference dated Jan. 16, 2019. Retrieved from <https://www.amazon.com/Itzy-Ritzy-Teething-Training-Toothbrush/dp/B07M7D6PY3/>.*

“Coconory: Bloom FlowerPot Teether—Feeder”. Found online Feb. 10, 2023 at instagram.com. Reference dated Sep. 19, 2017. Retrieved from <https://www.instagram.com/p/BZNkgpoBLoW/>.*

“Kean: Cactus Teether and Toothbrush”. Found online Mar. 12, 2020 at facebook.com. Reference dated Jun. 20, 2018. Retrieved from https://www.facebook.com/www.siliconeteething.net/photos/a.1127649790583342/2136117609736550/?type=3&_tn_=-R.*

* cited by examiner

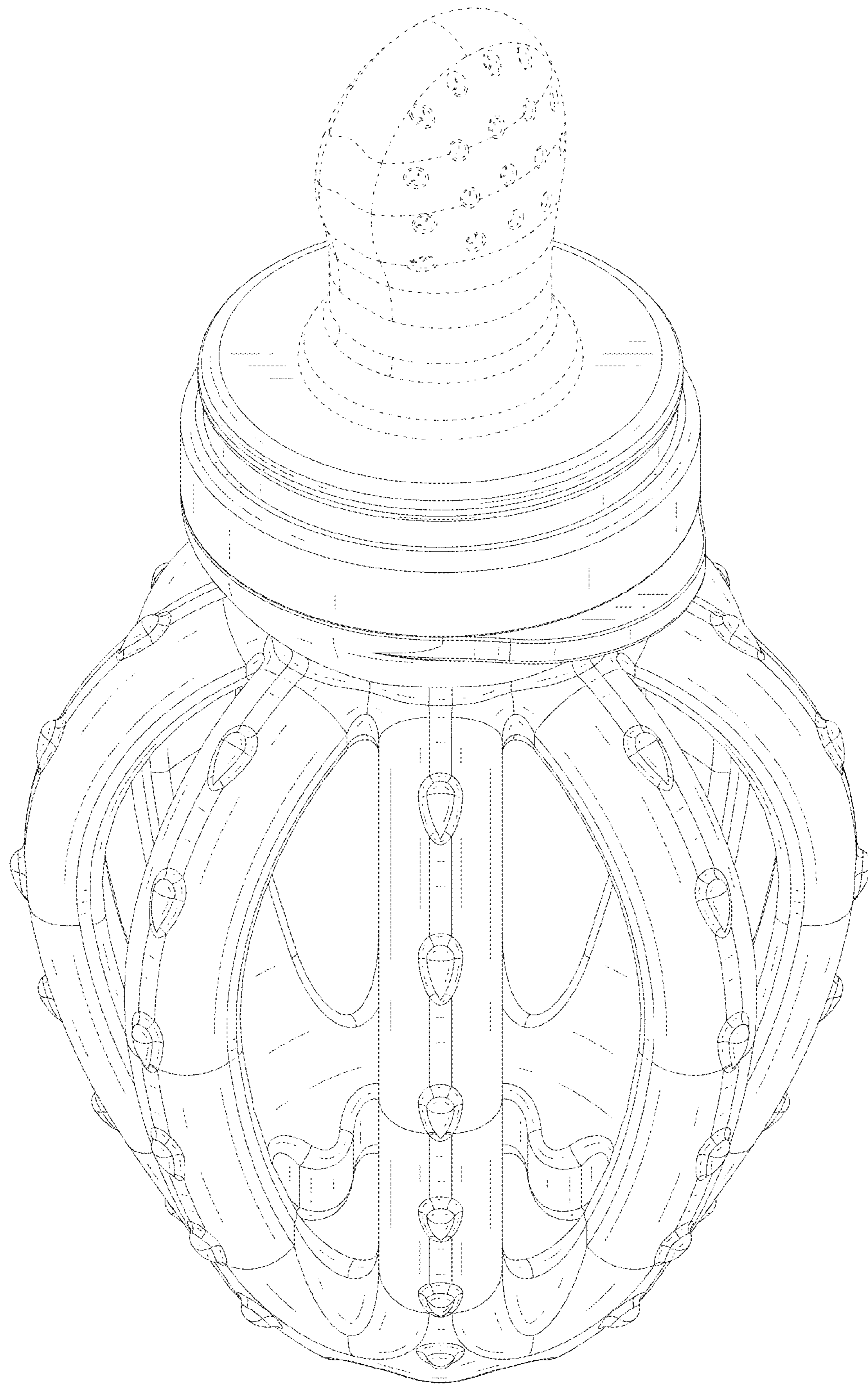


FIG.1

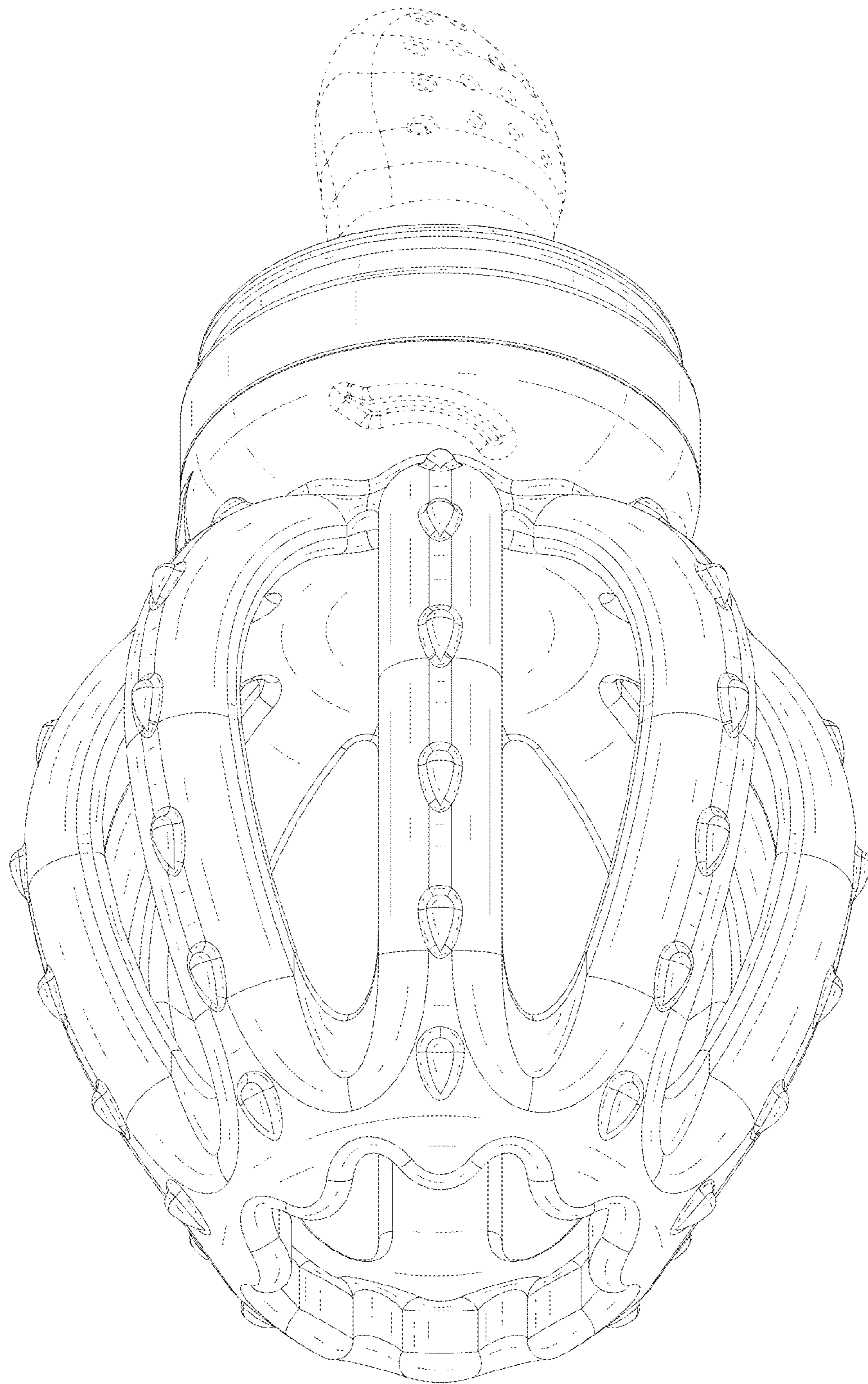


FIG.2

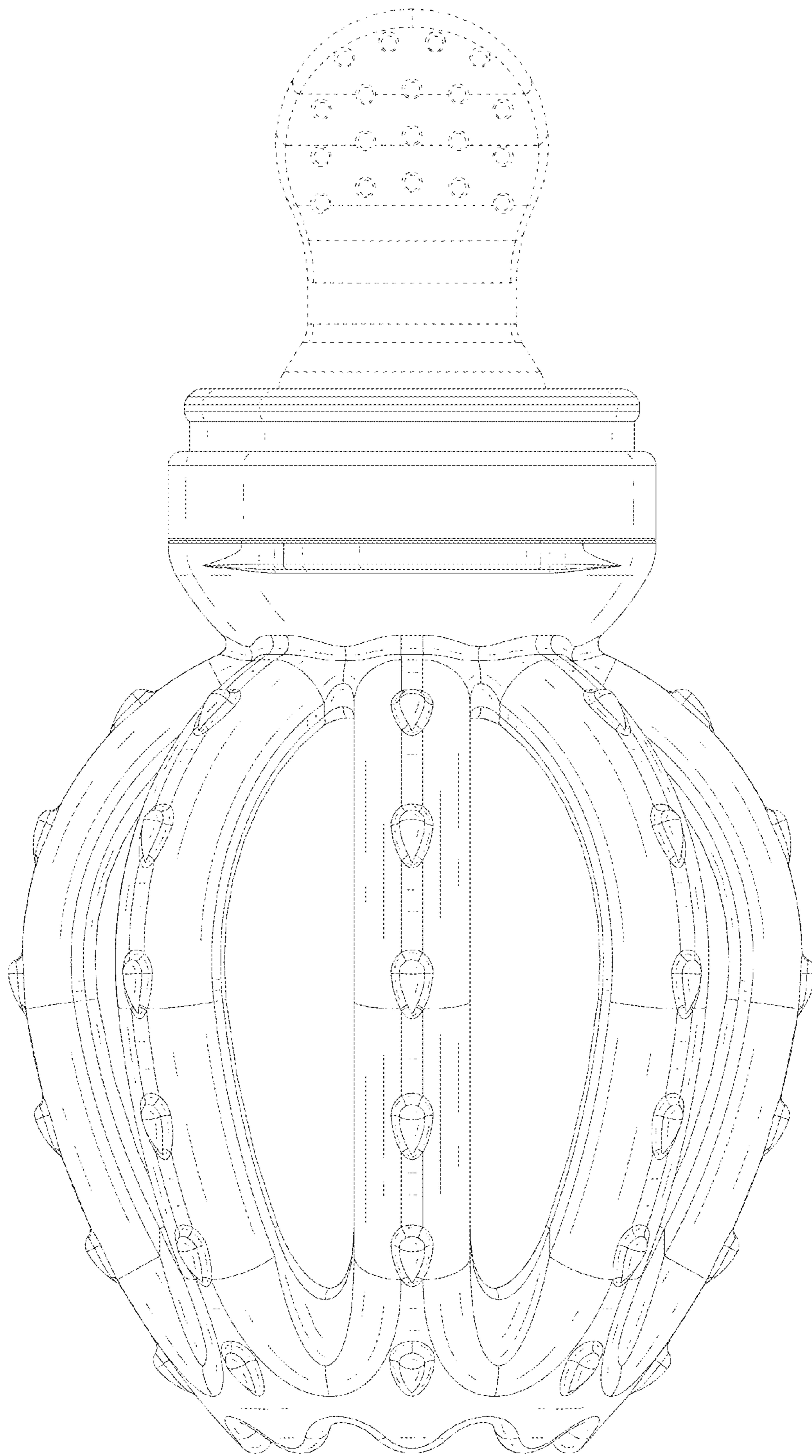


FIG.3

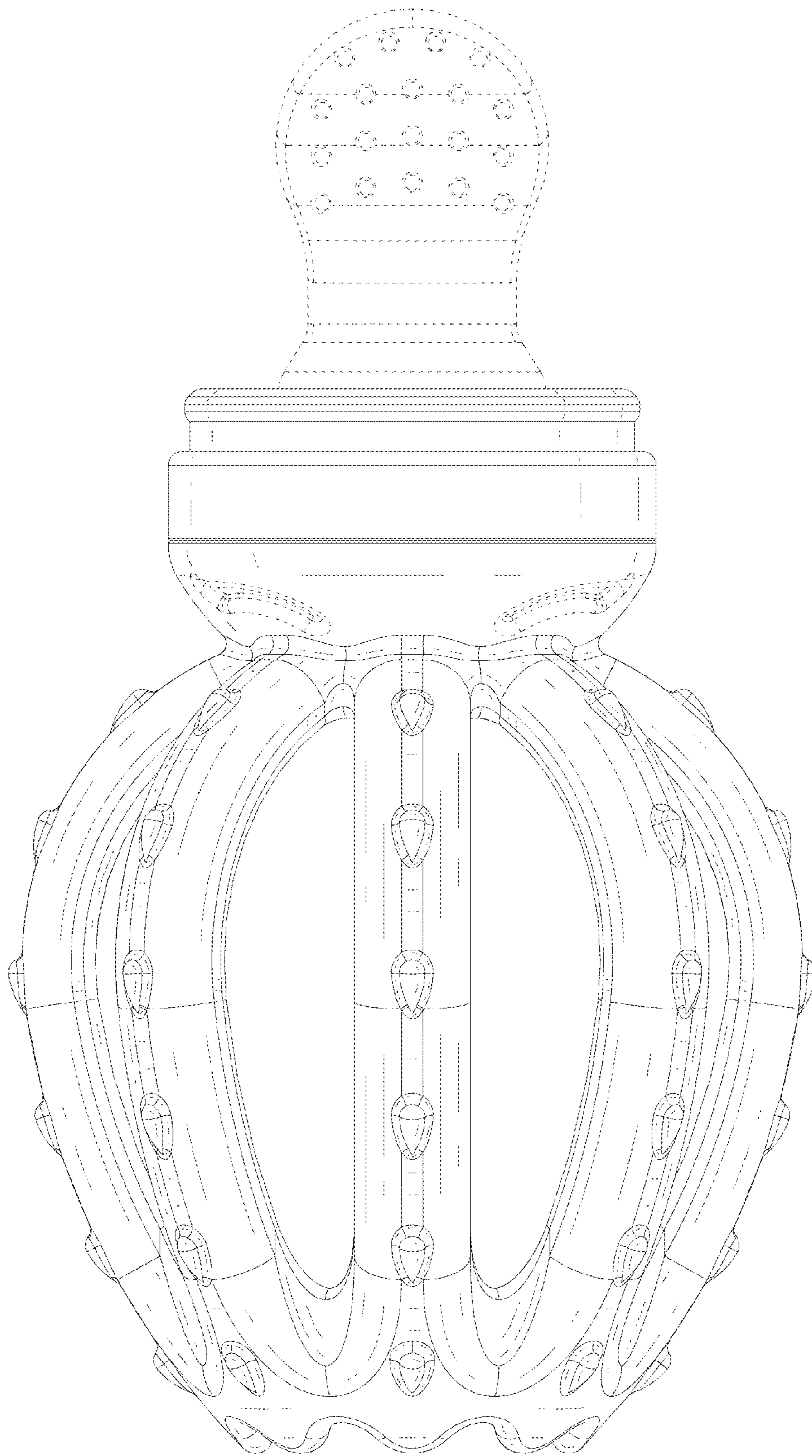


FIG.4

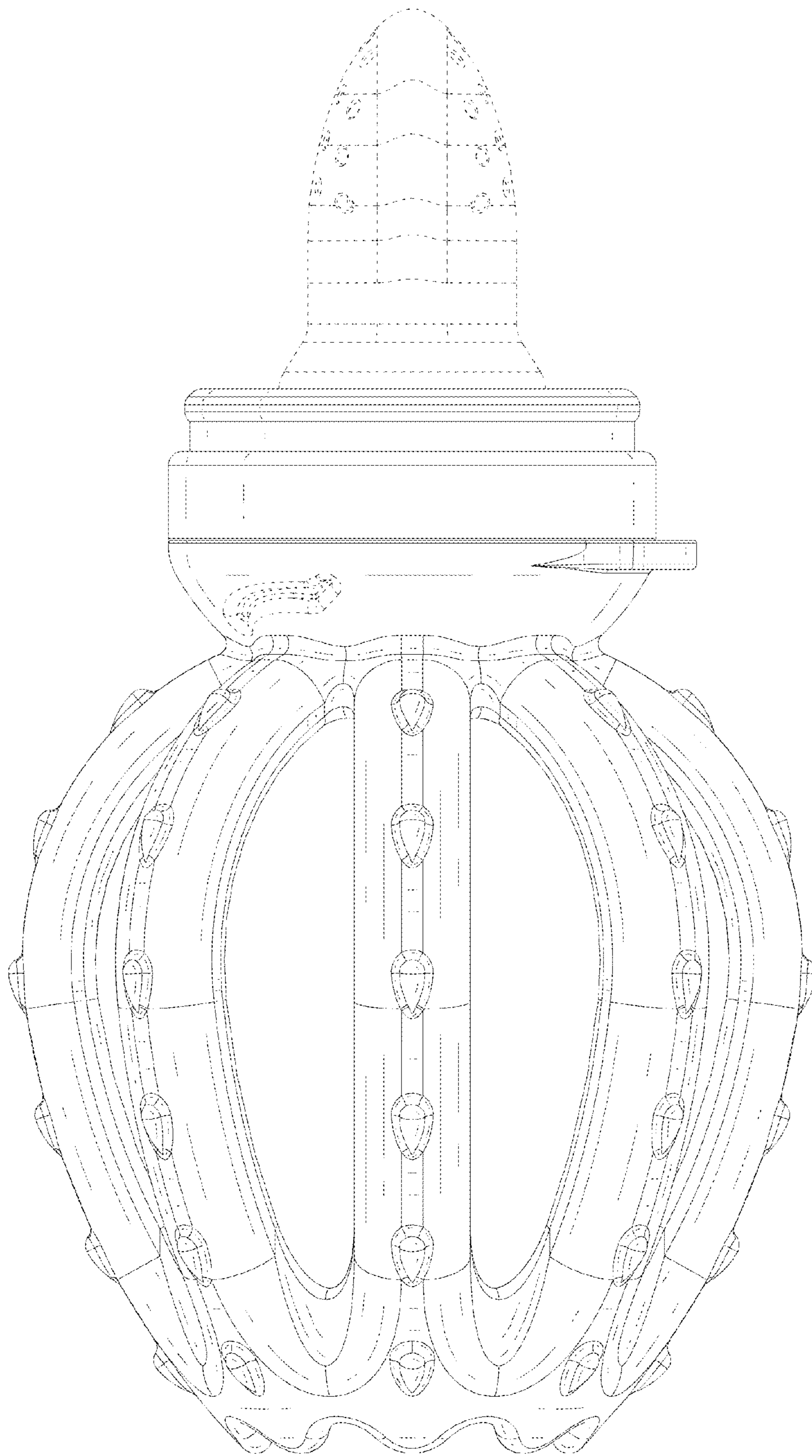


FIG.5

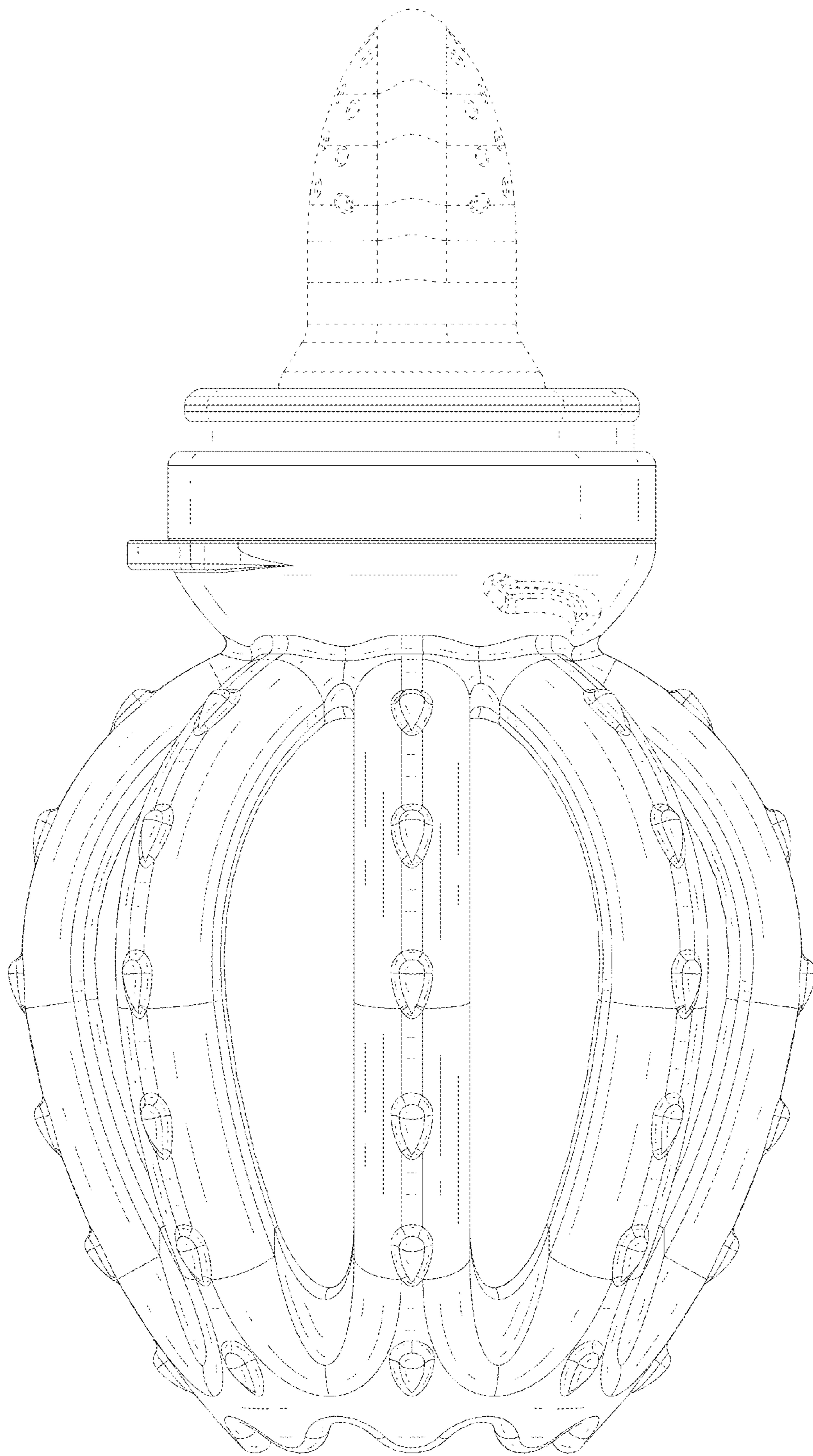


FIG.6

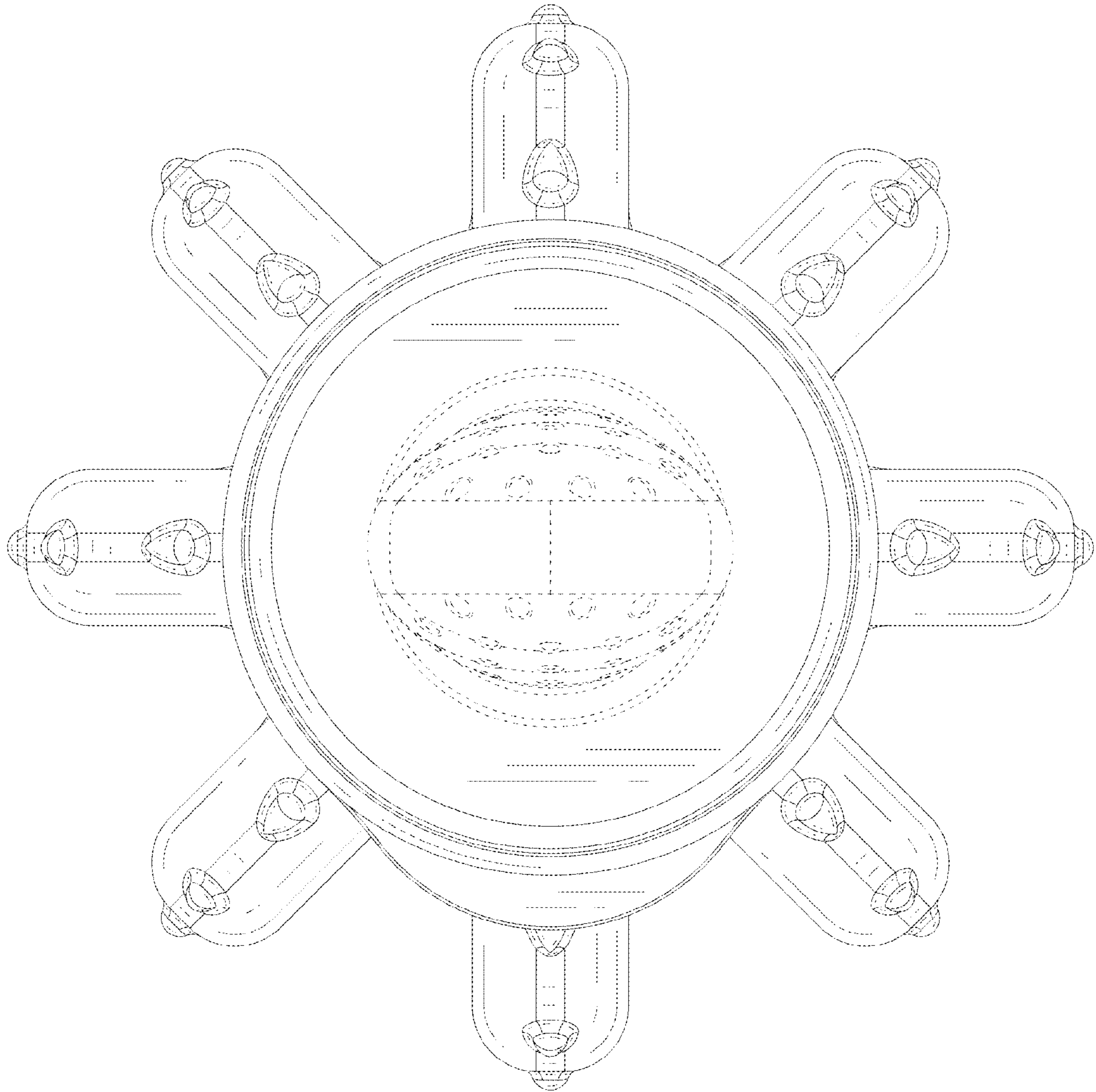


FIG.7

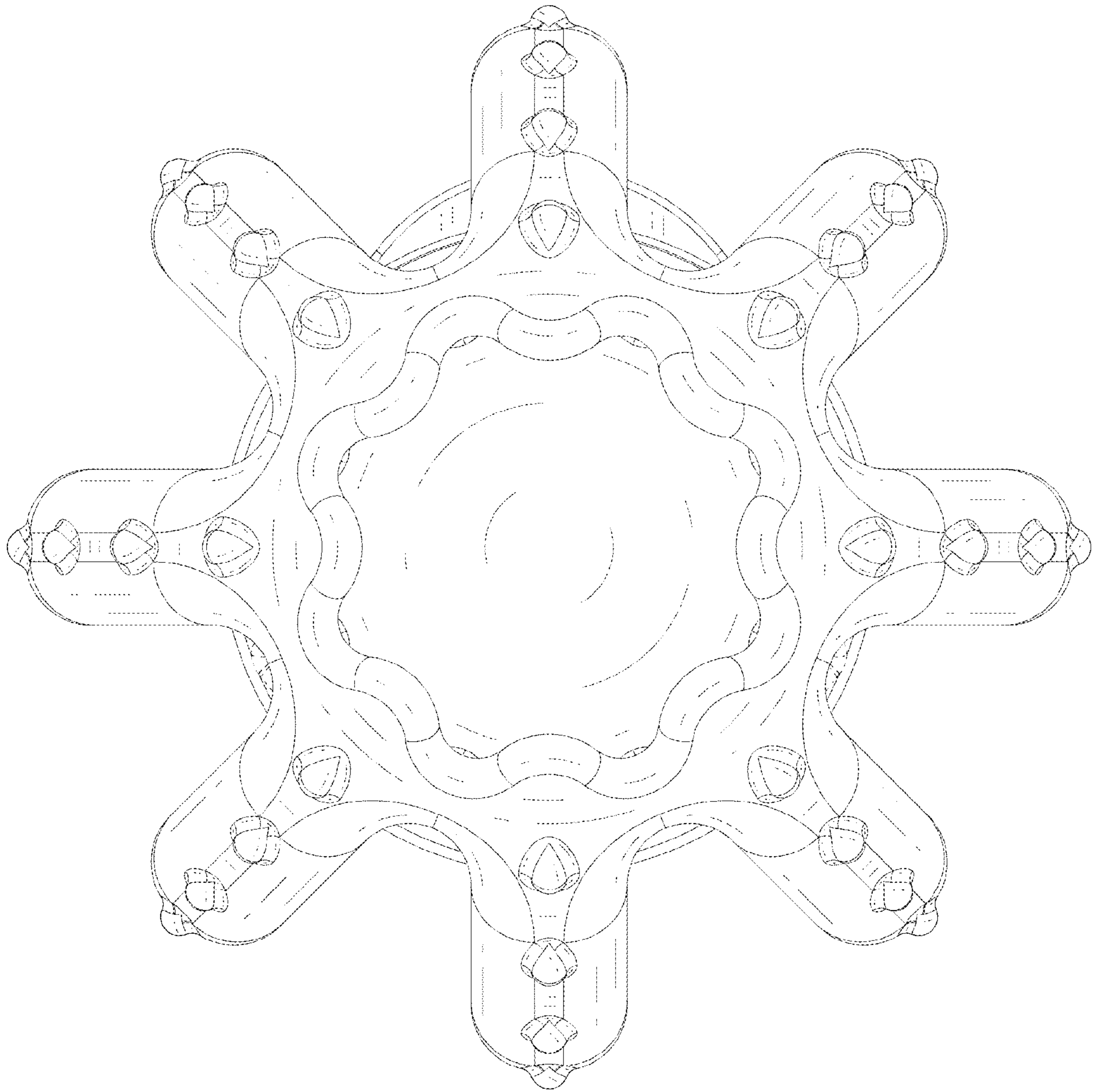


FIG.8

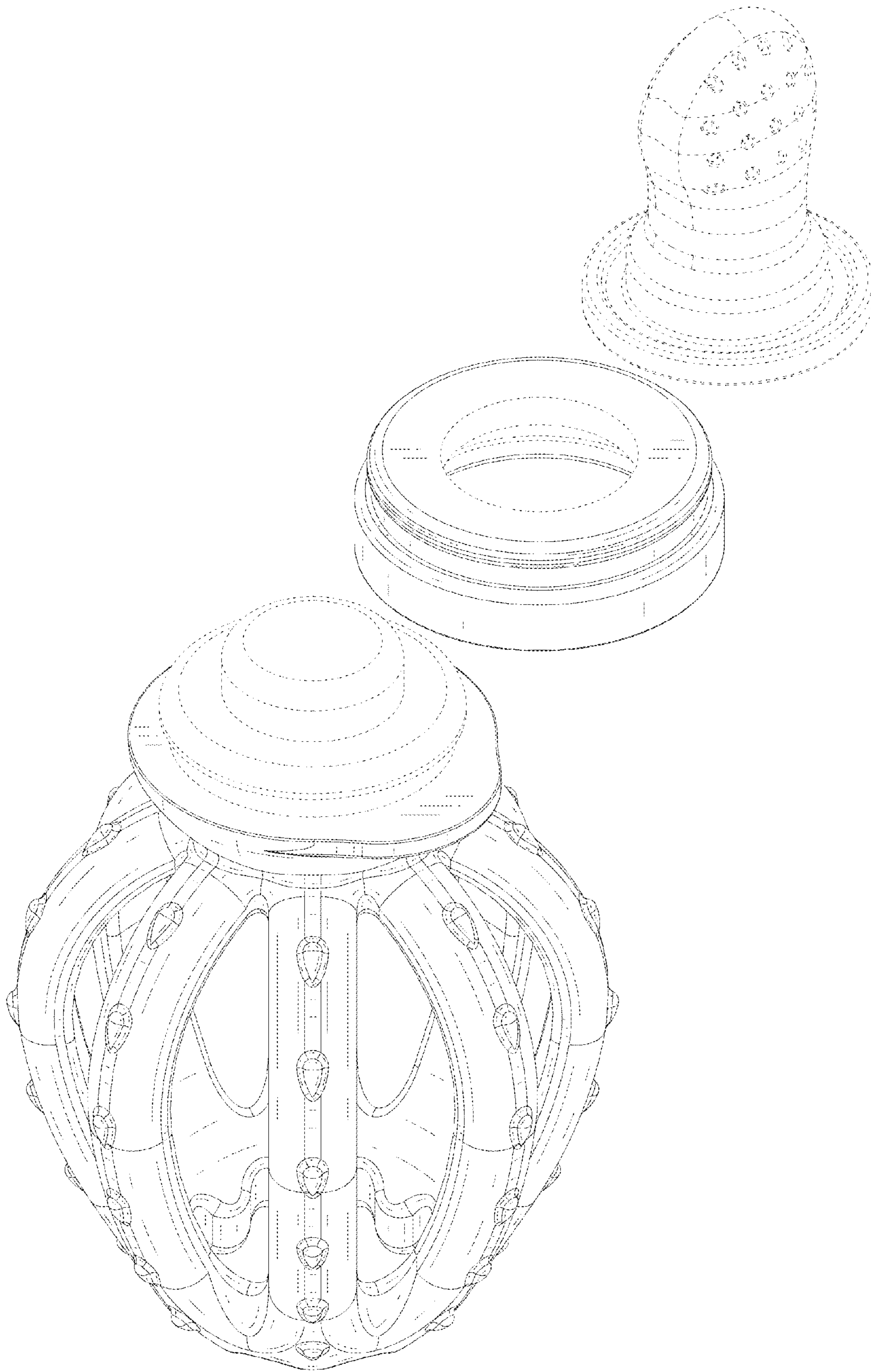


FIG.9

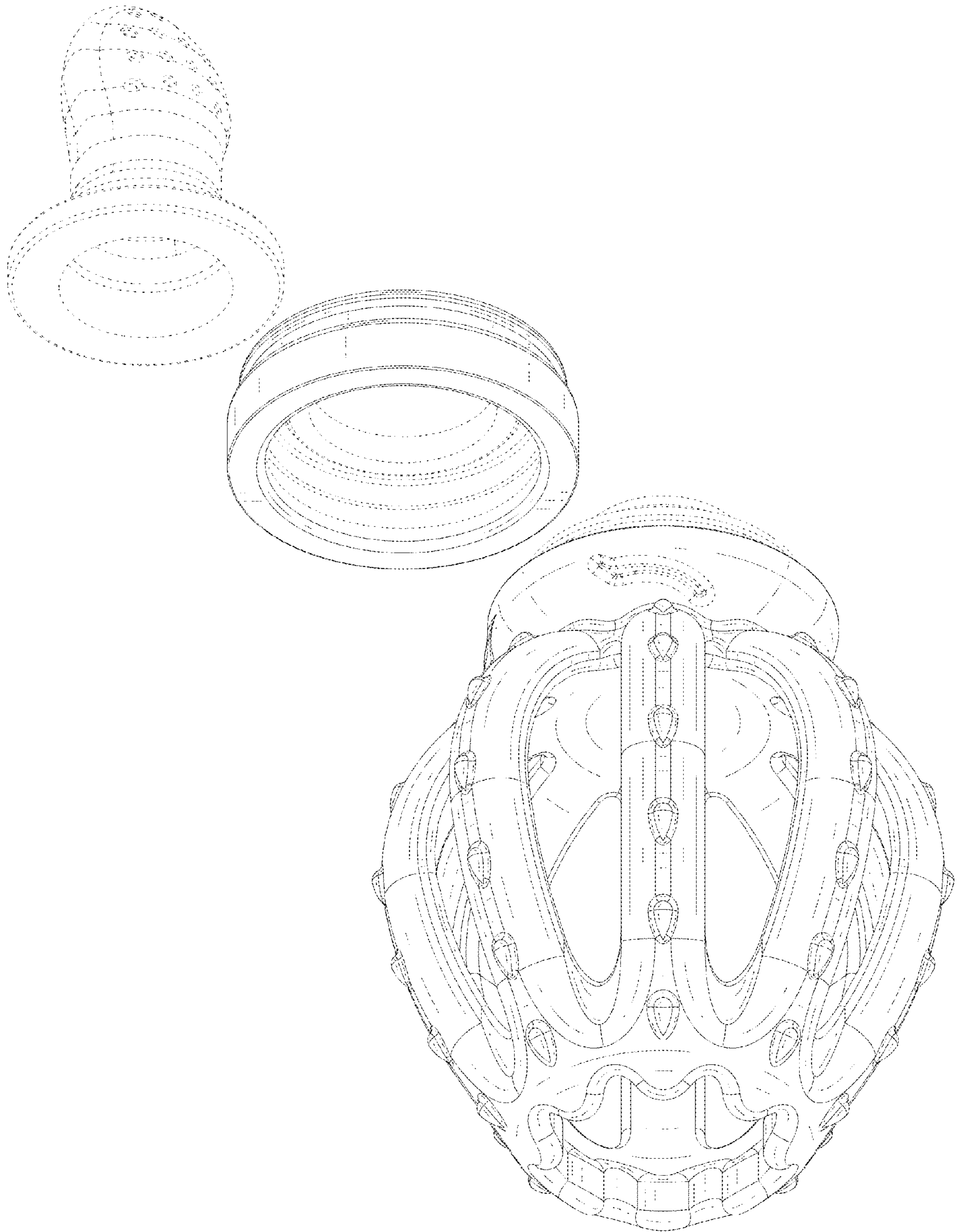


FIG.10

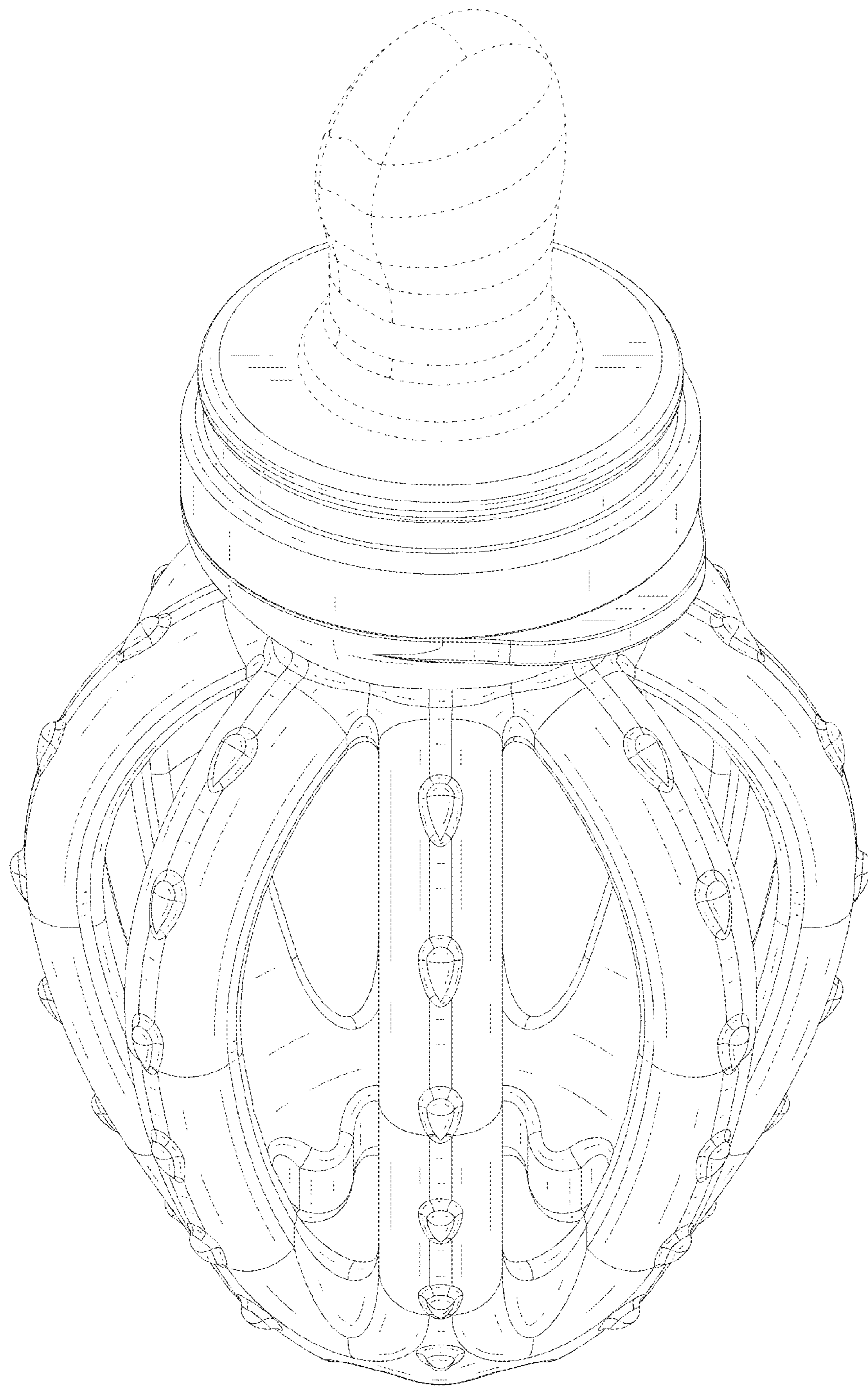


FIG.11

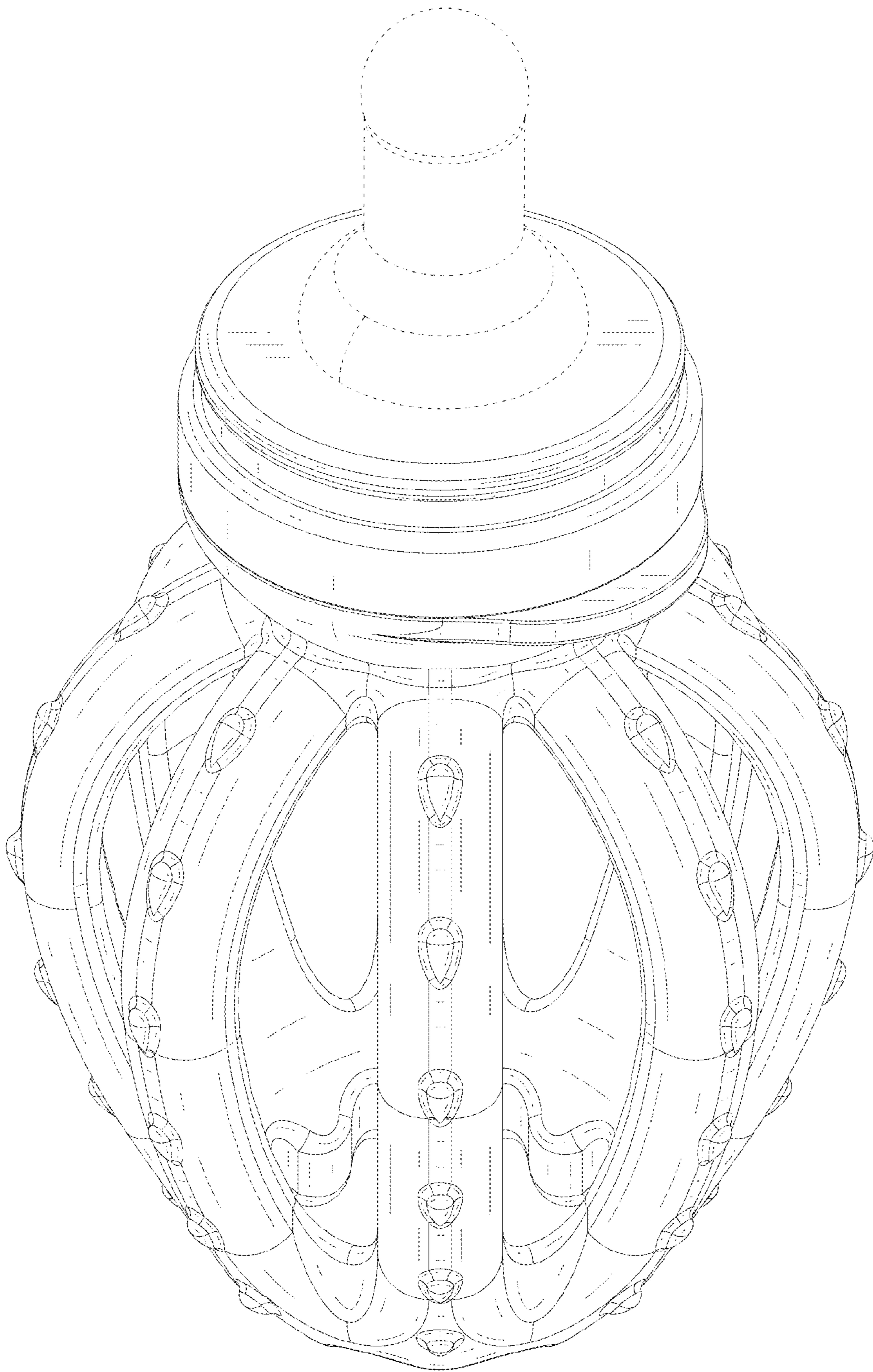


FIG.12