



US00D988517S

(12) **United States Design Patent**  
**Fearn et al.**

(10) **Patent No.:** **US D988,517 S**  
(45) **Date of Patent:** **\*\* Jun. 6, 2023**

(54) **TRANSDUCER BRACKET MARKING**

(71) Applicant: **Siemens Medical Solutions USA, Inc.**,  
Malvern, PA (US)  
(72) Inventors: **Lisa Fearn**, Seattle, WA (US); **Yao Lu**,  
Redmond, WA (US)  
(73) Assignee: **Siemens Medical Solutions USA, Inc.**,  
Malvern, PA (US)

(\*\*) Term: **15 Years**

(21) Appl. No.: **29/691,487**

(22) Filed: **May 16, 2019**

(51) **LOC (14) Cl.** ..... **24-02**

(52) **U.S. Cl.**  
USPC ..... **D24/187**

(58) **Field of Classification Search**  
USPC ..... D24/133, 137, 138, 141, 158, 160, 164,  
D24/165, 167, 170, 186, 187, 200;  
D10/57, 60, 78, 80  
CPC ... A61B 5/0095; A61B 8/4444; A61B 8/4455;  
A61B 8/445; G01S 7/5208; G01N 29/265  
See application file for complete search history.

(56) **References Cited**

**U.S. PATENT DOCUMENTS**

D605,227 S \* 12/2009 Lim ..... D9/434  
D630,737 S \* 1/2011 Tenger ..... D24/137

D640,064 S \* 6/2011 Horn ..... A61F 13/627  
D5/59  
D757,800 S \* 5/2016 Park ..... D14/490  
D841,820 S \* 2/2019 Chen ..... D24/187  
D862,092 S \* 10/2019 Schweig ..... D20/27  
D877,809 S \* 3/2020 Zellefrow ..... D20/11  
D881,278 S \* 4/2020 Kim ..... D20/22

\* cited by examiner

*Primary Examiner* — Omeed Agilee

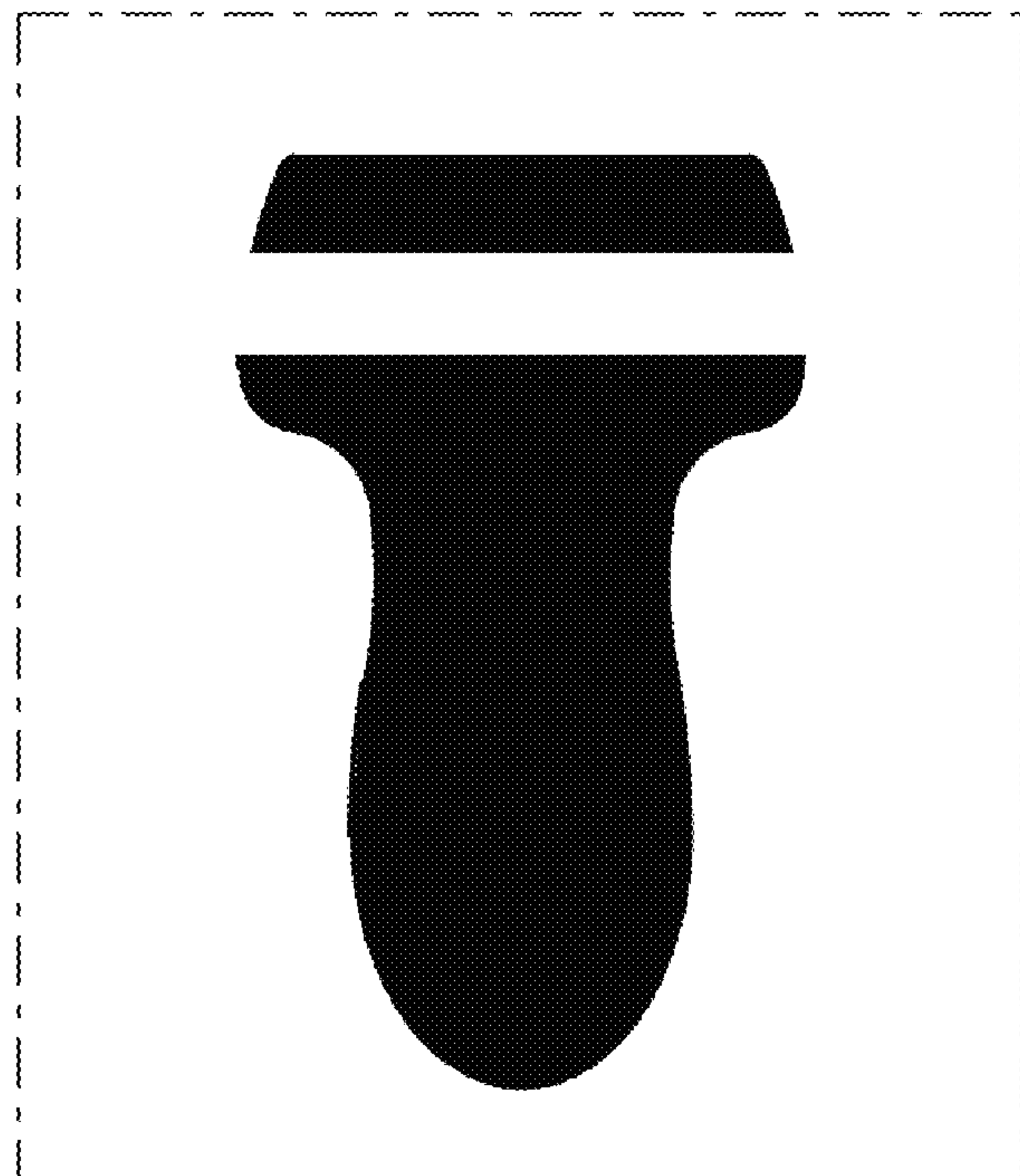
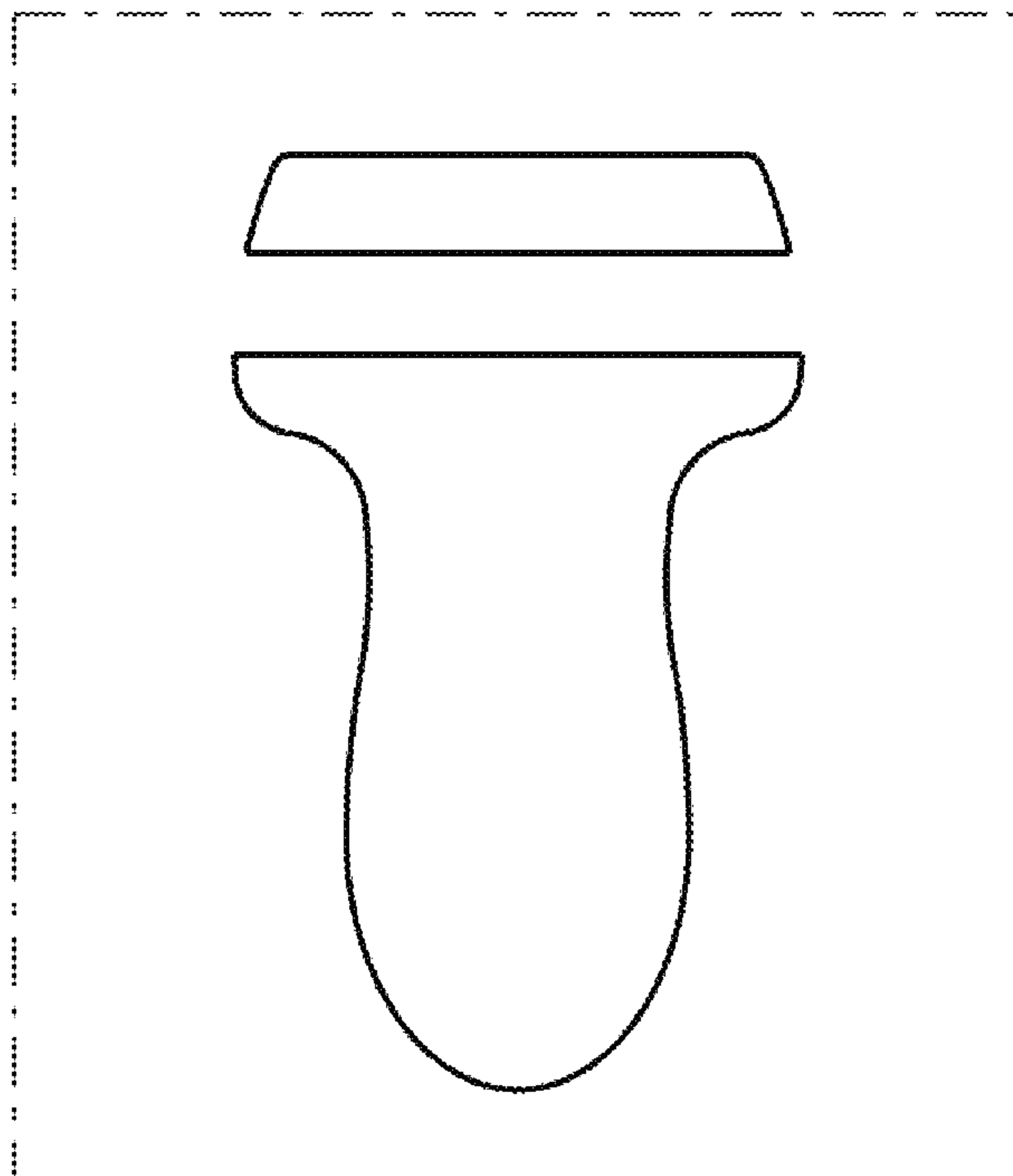
(57) **CLAIM**

The ornamental design for a transducer bracket marking, as shown and described.

**DESCRIPTION**

FIG. 1 is a top plan view of a first embodiment of transducer bracket marking of the area 1 in FIG. 2 showing our new design;  
FIG. 2 is a top plan view of the transducer bracket marking; and,  
FIG. 3 is a top plan view of a second embodiment of the transducer bracket marking.  
The dash lines in the drawings depict portions of the transducer bracket marking that form no part of the claimed design. The dash-dot broken lines depict the boundaries of the enlarged views and form no part of the claimed design.

**1 Claim, 3 Drawing Sheets**



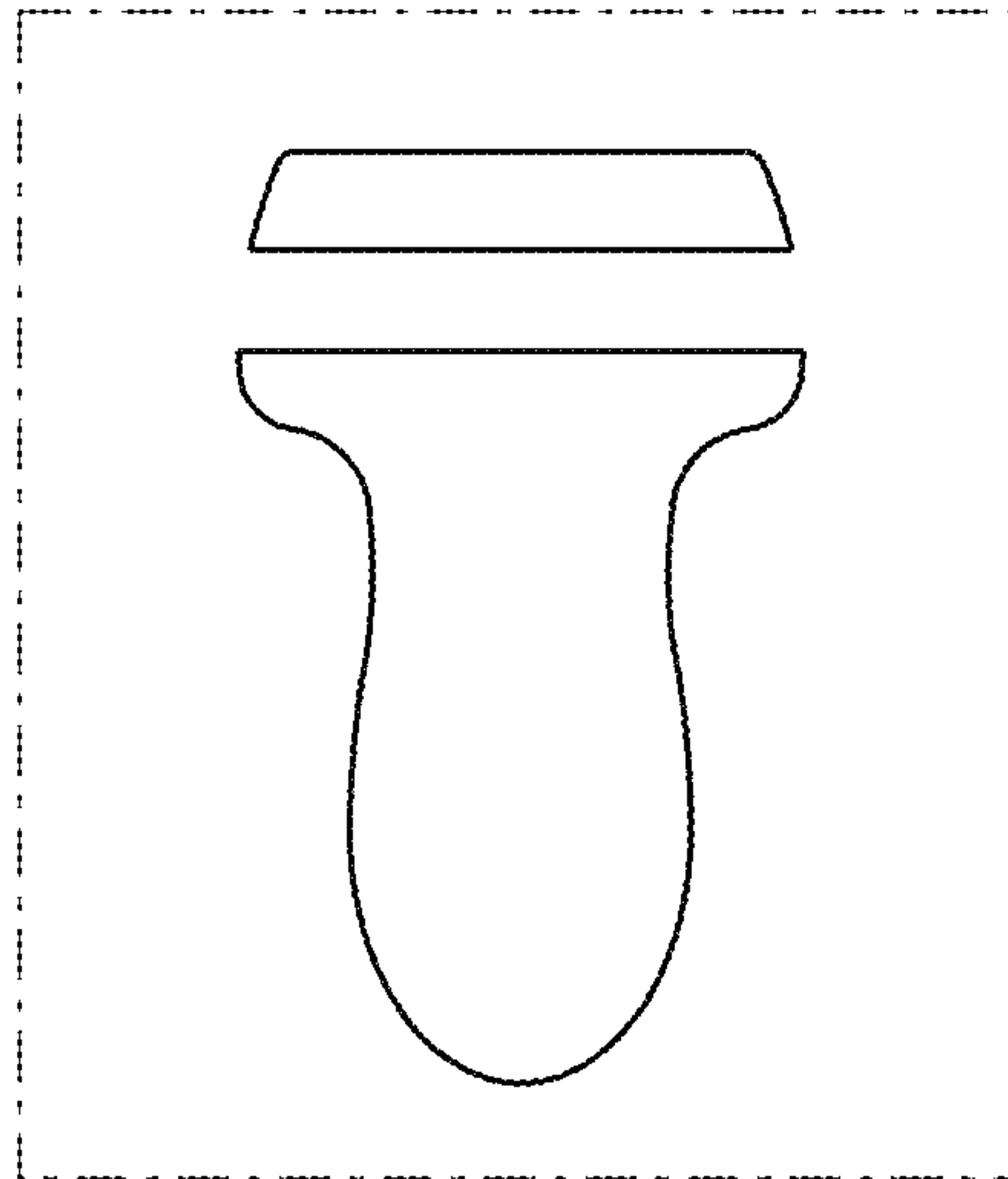


FIG. 1

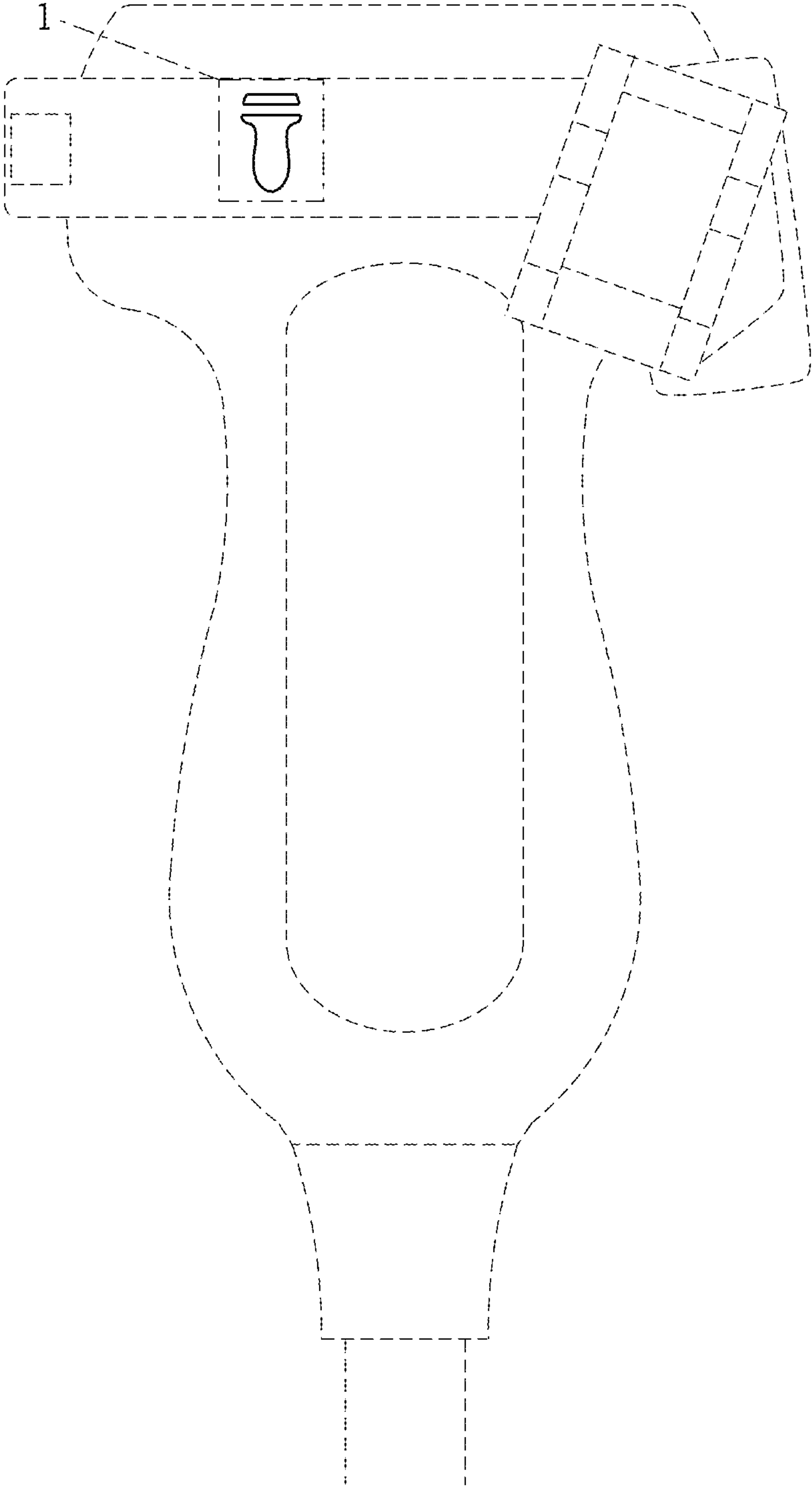


FIG. 2

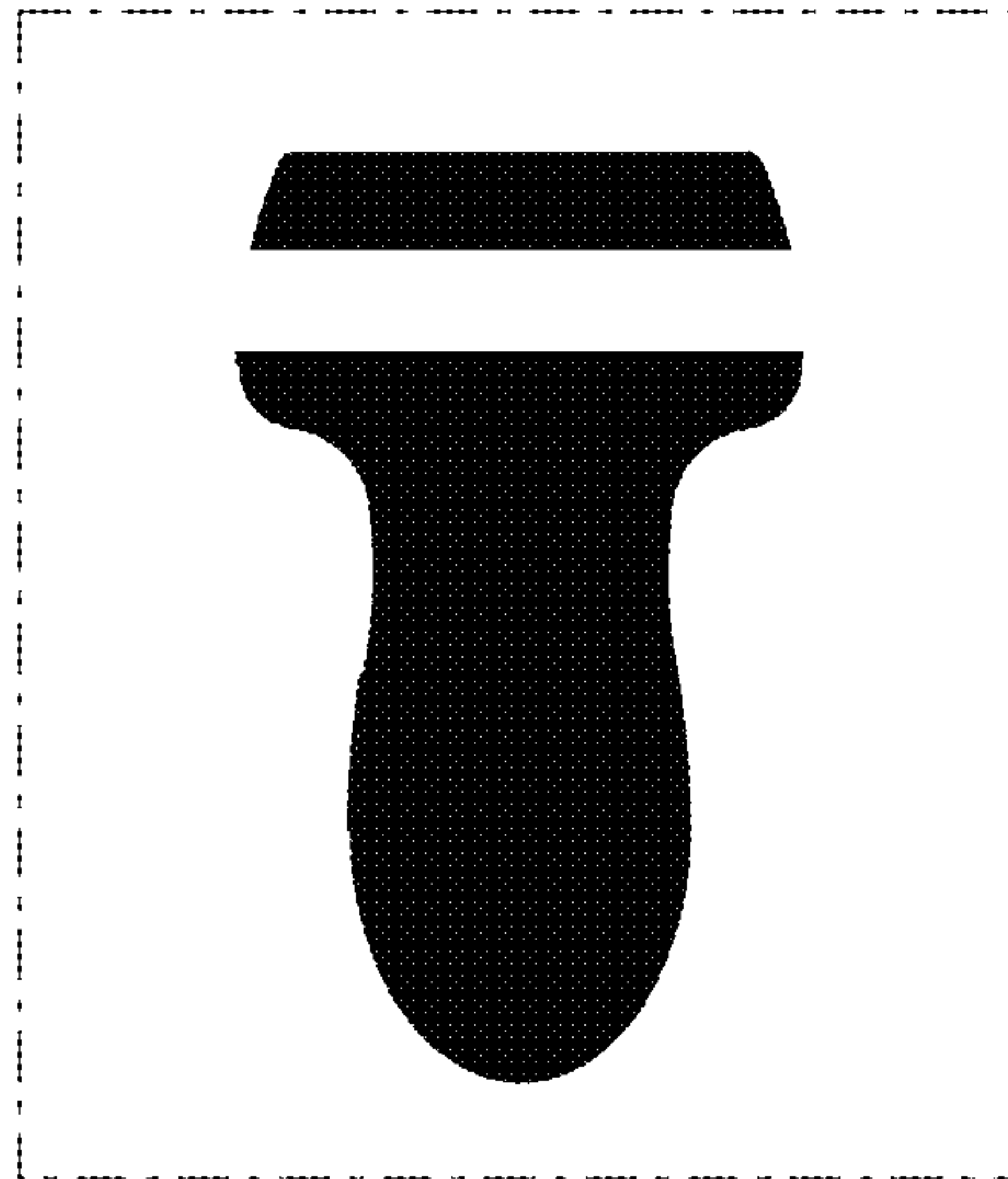


FIG. 3