



US00D988516S

(12) **United States Design Patent**  
**Leimkuehler, Jr. et al.**

(10) **Patent No.:** **US D988,516 S**  
(45) **Date of Patent:** **\*\* Jun. 6, 2023**

(54) **INTRAORAL STIMULATOR**

(71) Applicant: **Bioelectrics LLC**, Cleveland, OH (US)

(72) Inventors: **William J. Leimkuehler, Jr.**, Avon, OH (US); **Steven W. Cornelius**, Rocky River, OH (US); **David J. Corn**, Cleveland, OH (US); **David Mandel**, Alexandria, VA (US); **Christopher Terella**, Stow, MA (US); **Chris Hile**, Springfield, CA (US); **Drew Carlton**, Lowell, MA (US)

(\*\*) Term: **15 Years**

(21) Appl. No.: **29/744,313**

(22) Filed: **Jul. 28, 2020**

(51) **LOC (14) Cl.** ..... **24-02**

(52) **U.S. Cl.**  
USPC ..... **D24/181**; D24/176

(58) **Field of Classification Search**  
USPC ..... D24/176-182  
CPC ..... A61C 19/06; A61C 19/066; A61C 19/063;  
A61C 7/08; A61C 7/36; A61N 5/0613  
See application file for complete search history.

(56) **References Cited**

**U.S. PATENT DOCUMENTS**

D582,559 S	12/2008	Khawaled et al.	
7,775,795 B2	8/2010	Khawaled et al.	
8,660,669 B2	2/2014	Nemeh et al.	
9,901,744 B2*	2/2018	Demarest .....	A61N 5/0613
9,913,992 B2*	3/2018	Demarest .....	A61C 19/066
D849,942 S	5/2019	Demarest et al.	
D849,956 S	5/2019	Demarest et al.	
D864,399 S *	10/2019	Qin .....	D24/176
D867,598 S *	11/2019	Qin .....	D24/176
D888,961 S *	6/2020	Levine .....	D24/181
D895,808 S *	9/2020	Li .....	D24/176
D899,600 S *	10/2020	Li .....	D24/176

D908,223 S *	1/2021	Pai .....	D24/176
10,918,882 B2 *	2/2021	Demarest .....	A61C 19/066
D912,826 S *	3/2021	Bao .....	D24/176
11,090,505 B2 *	8/2021	Bloch .....	A61C 19/066
11,110,291 B2 *	9/2021	Bloch .....	A61C 19/066
11,141,254 B2 *	10/2021	Chapman .....	A61C 19/066
D958,996 S *	7/2022	Qin .....	D24/176
2008/0003540 A1	1/2008	Khawaled et al.	
2012/0214122 A1 *	8/2012	Dwyer .....	A61C 19/066 433/29
2014/0023983 A1	1/2014	Lowe et al.	
2015/0044628 A1	2/2015	Flyash	

(Continued)

**FOREIGN PATENT DOCUMENTS**

WO 2019147823 8/2019

*Primary Examiner* — Wan Laymon

(74) *Attorney, Agent, or Firm* — Smith Keane LLP

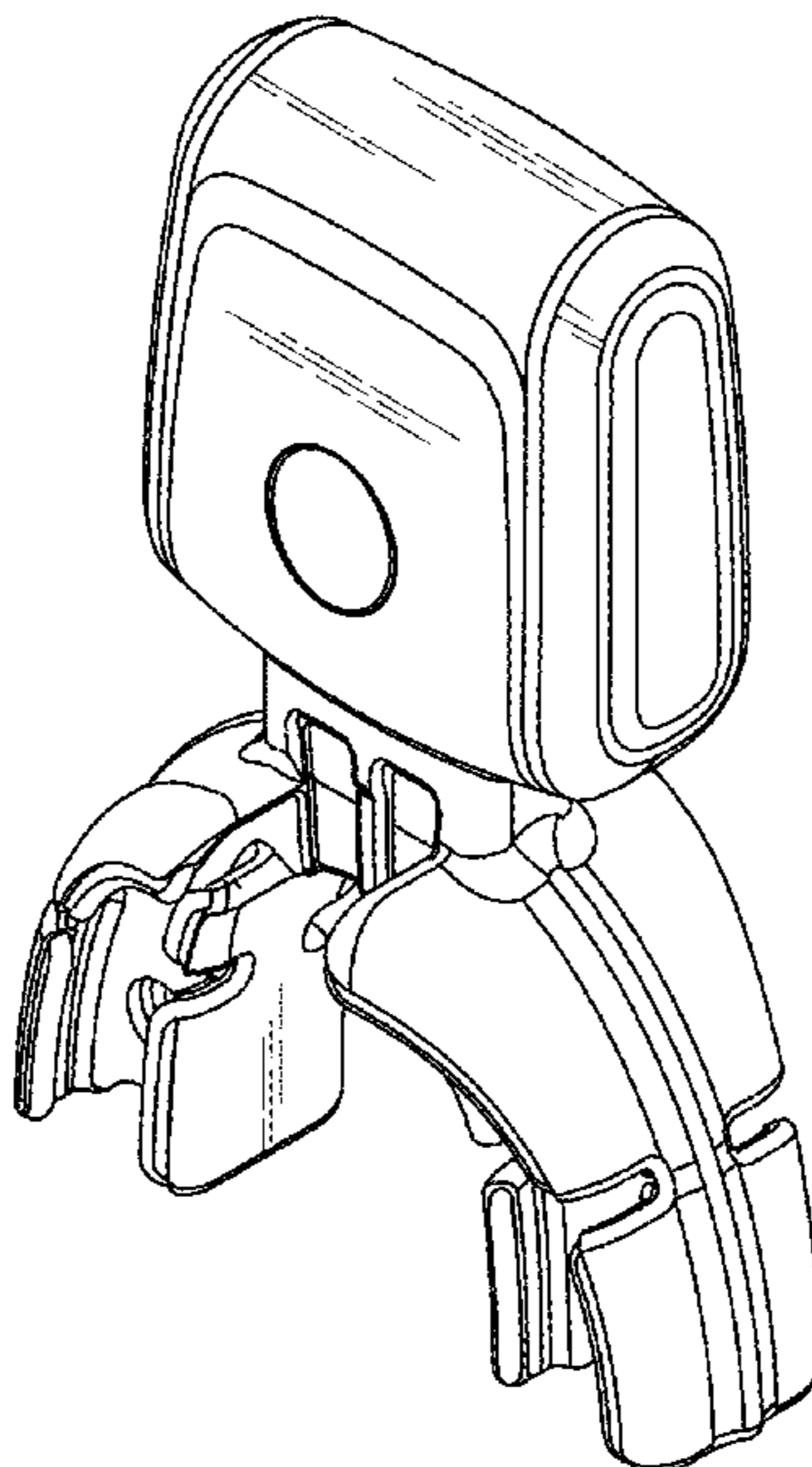
(57) **CLAIM**

The ornamental design for an intraoral stimulator, as shown and described.

**DESCRIPTION**

FIG. 1 is a perspective view of an intraoral stimulator according to the present invention; FIG. 2 is a front elevation view of the embodiment of FIG. 1; FIG. 3 is a rear elevation view of the embodiment of FIG. 1; FIG. 4 is a left side elevation view of the embodiment of FIG. 1; FIG. 5 is a right side elevation view of the embodiment of FIG. 1; FIG. 6 is a top plan view of the embodiment of FIG. 1; and, FIG. 7 is a bottom plan view of the embodiment of FIG. 1. The broken lines in the drawings depict portions of the oral stimulator and form no part of the claimed design.

**1 Claim, 7 Drawing Sheets**



(56)

**References Cited**

U.S. PATENT DOCUMENTS

2017/0173356 A1\* 6/2017 Demarest ..... A61N 5/0613  
2020/0114169 A1\* 4/2020 Bloch ..... A61C 19/066  
2021/0100645 A1\* 4/2021 Speicher ..... A61C 19/066

\* cited by examiner

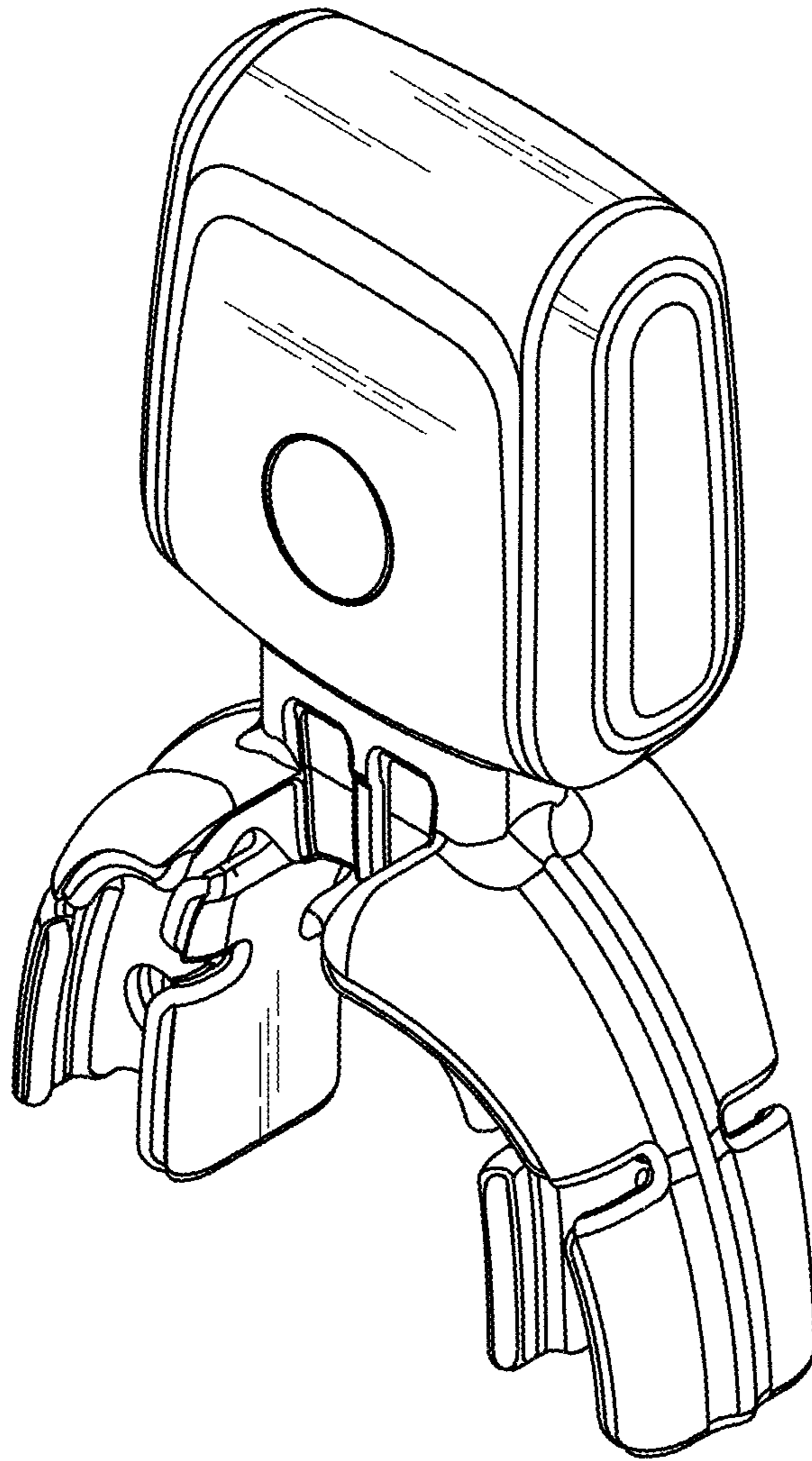


Fig.1

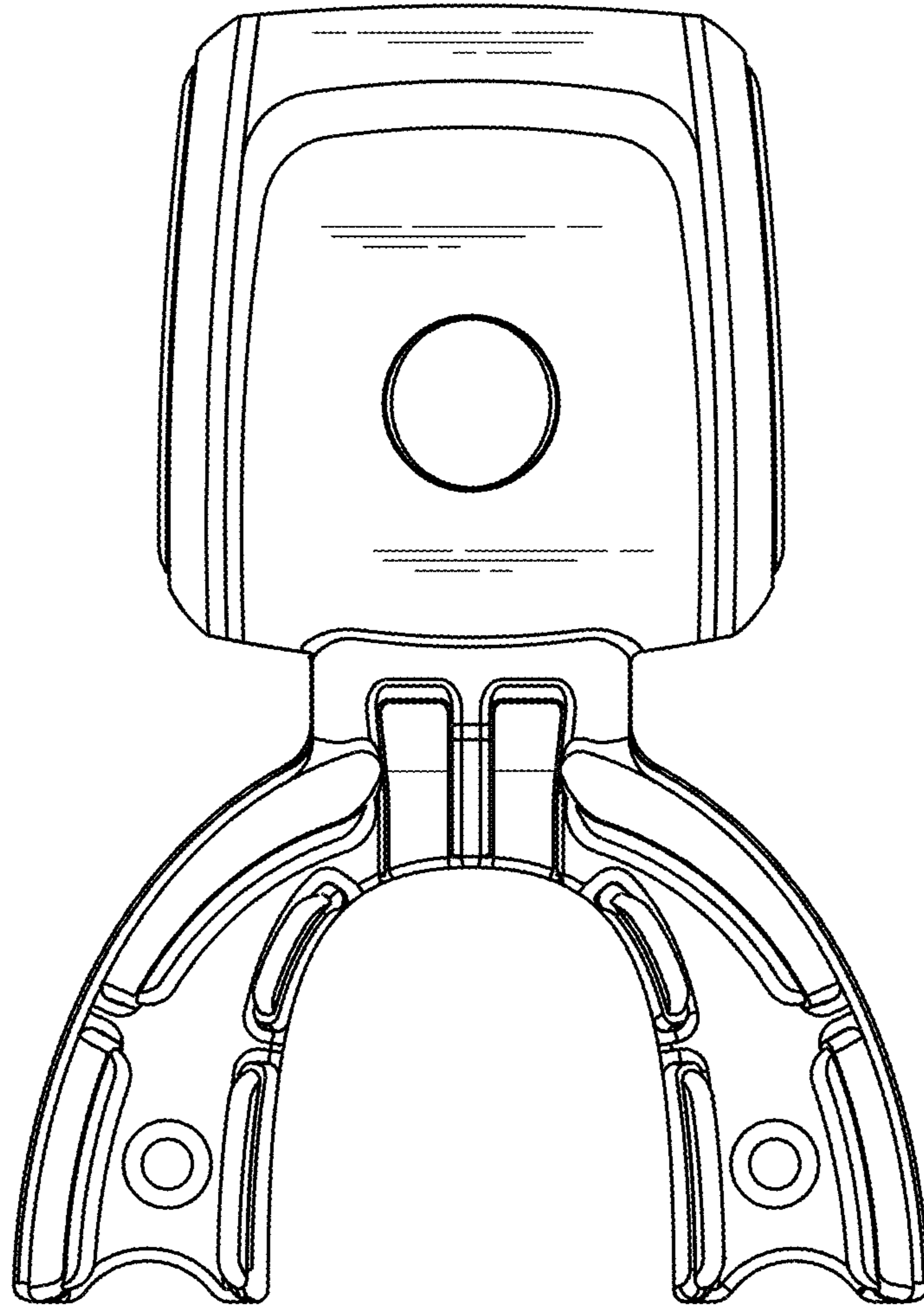


Fig.2

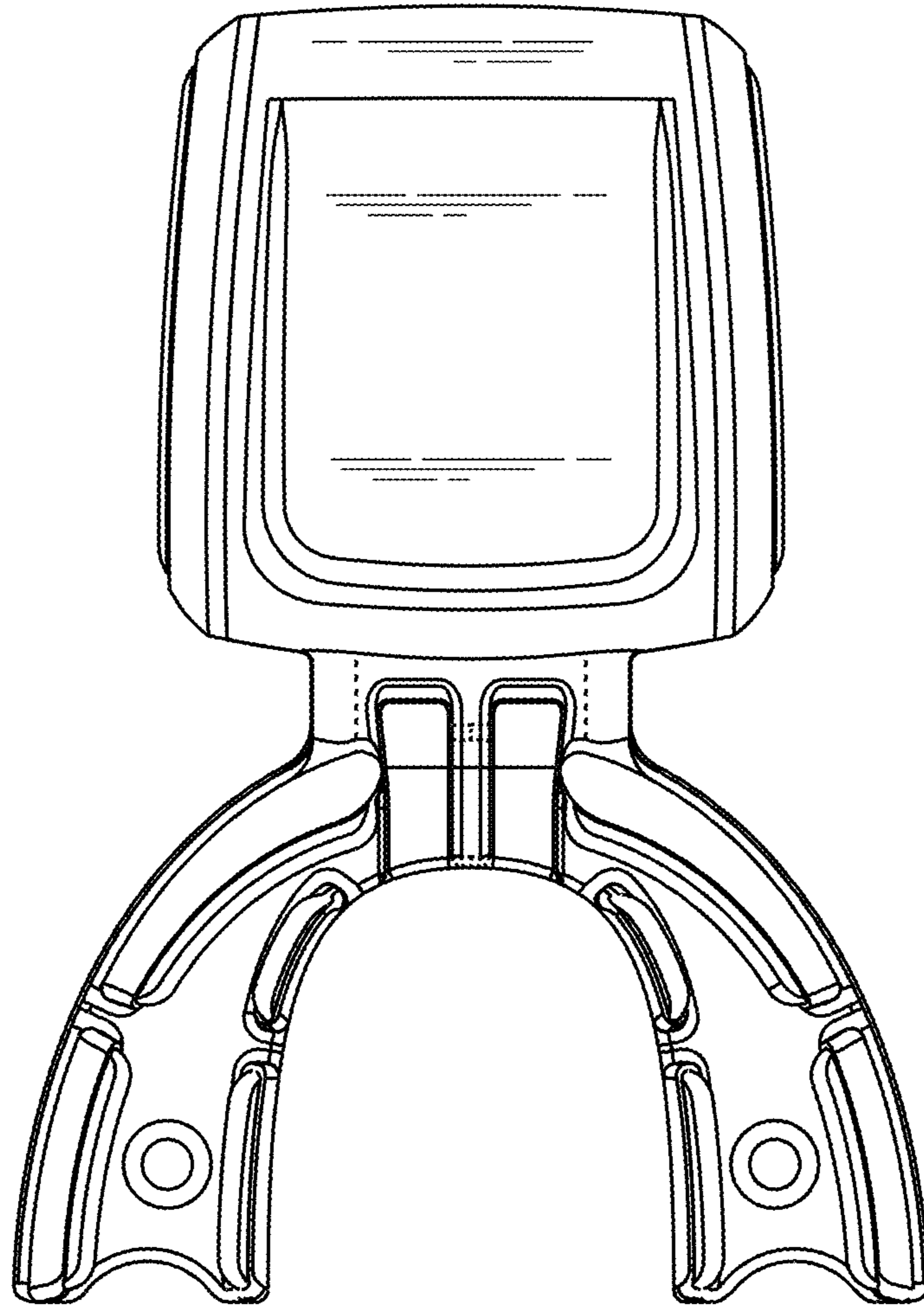


Fig.3

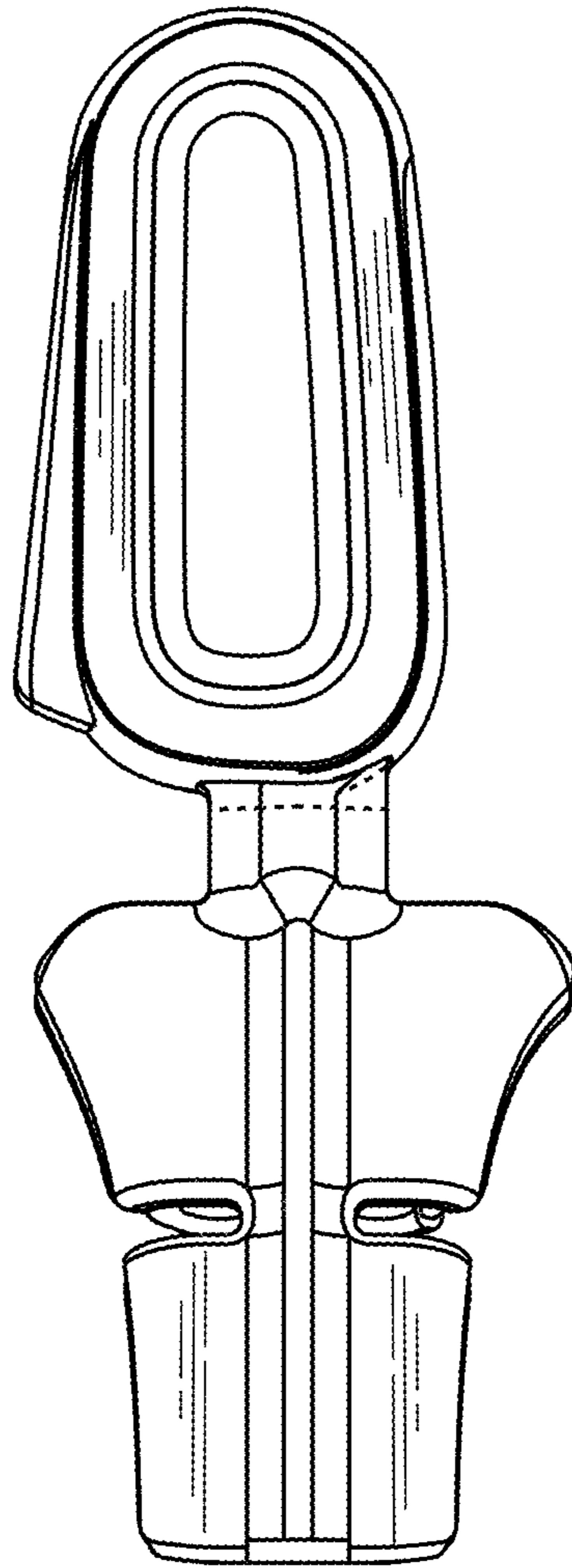


Fig.4

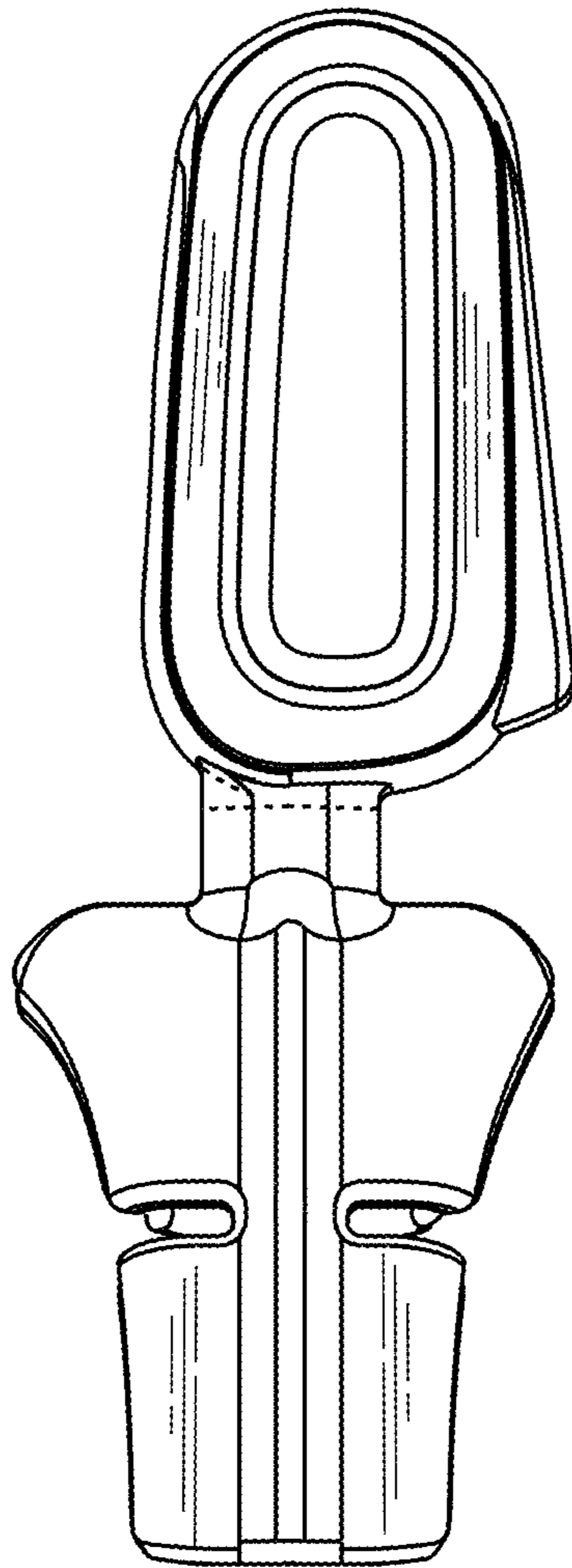


Fig.5

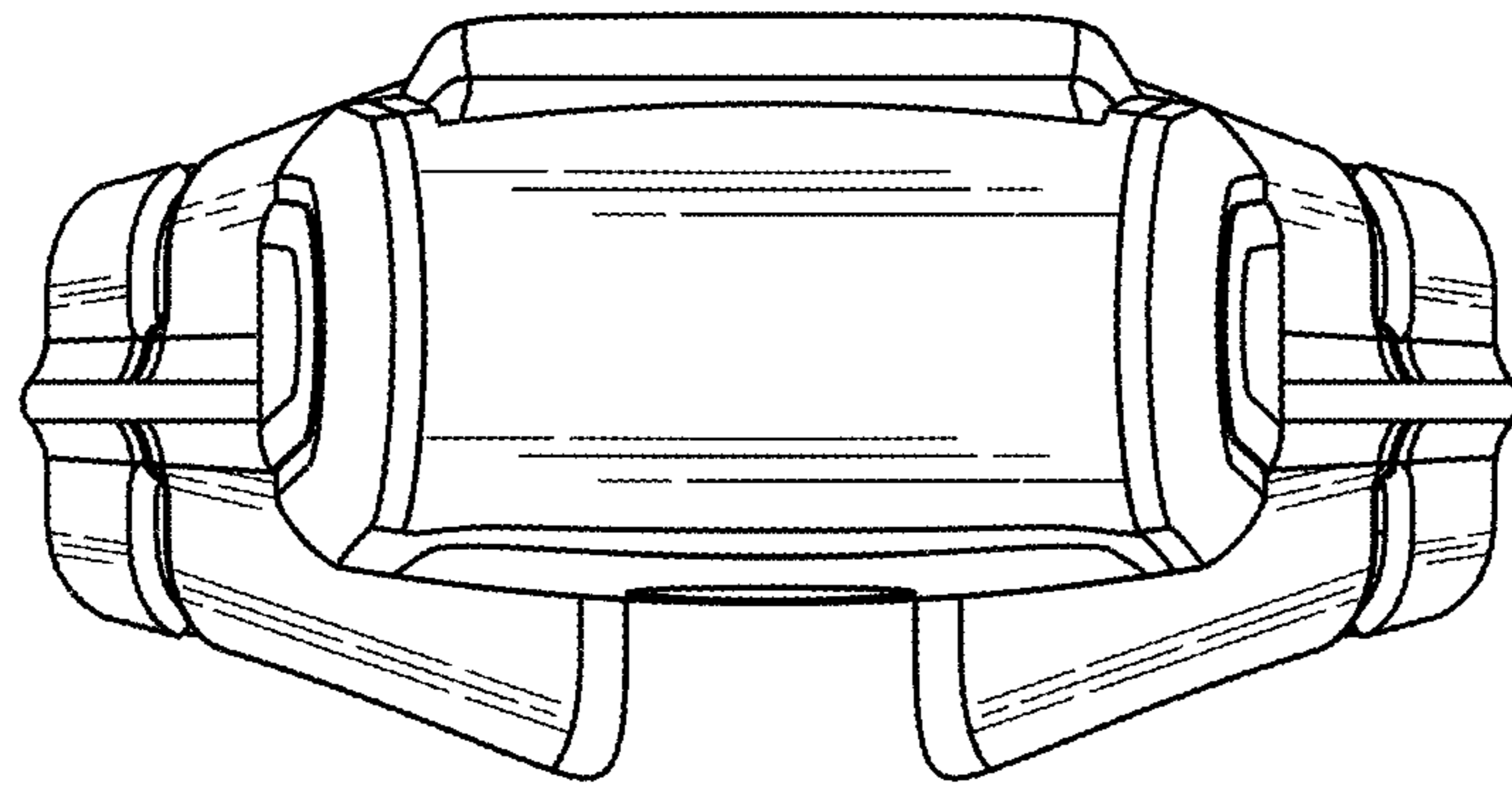


Fig.6



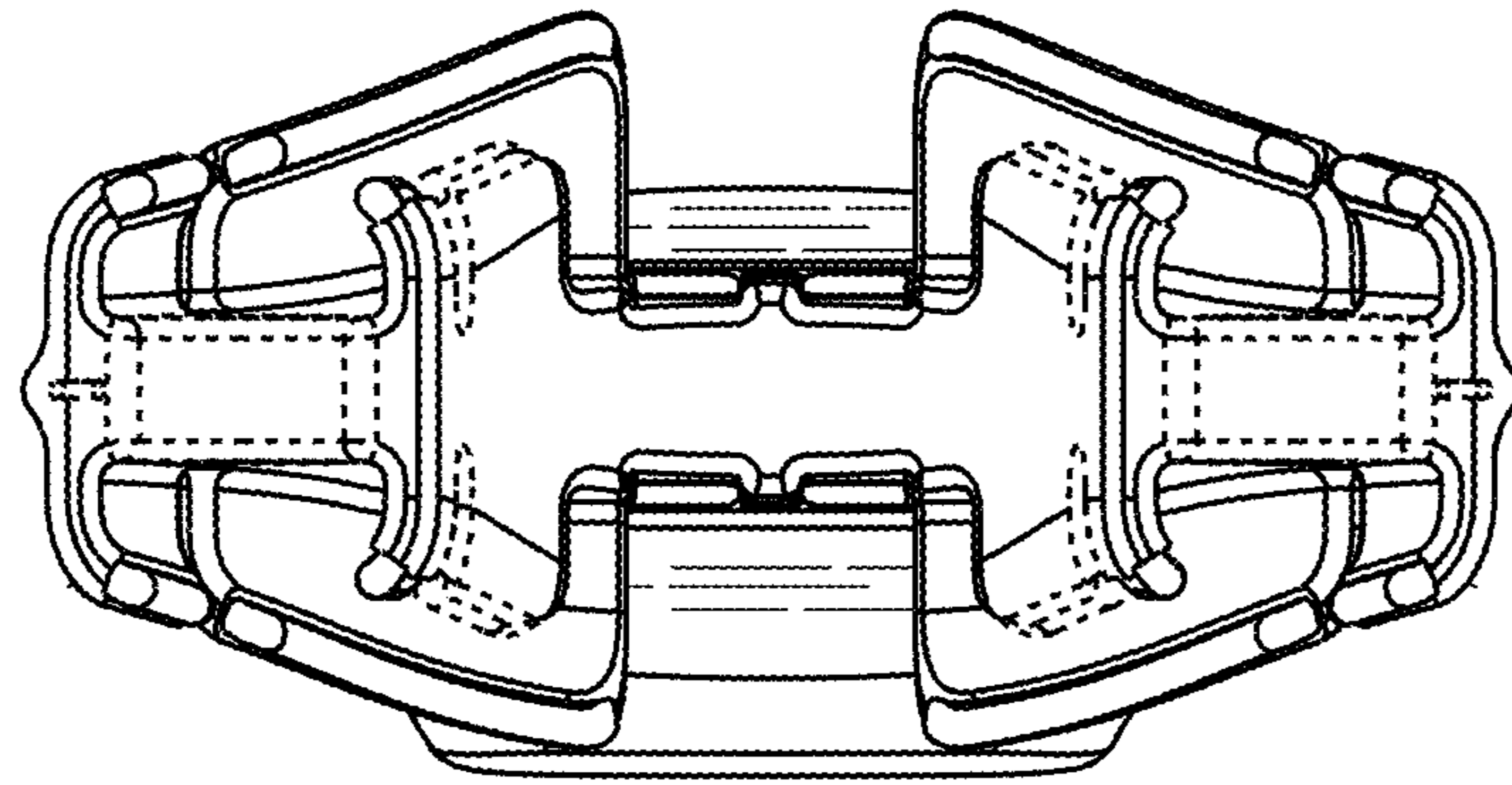


Fig.7