



US00D988515S

(12) **United States Design Patent** (10) **Patent No.:** **US D988,515 S**
Li (45) **Date of Patent:** **** Jun. 6, 2023**

(54) **BLOOD PRESSURE MONITOR**
(71) Applicant: **Shenzhen Finicare Co., Ltd.**, Shenzhen (CN)
(72) Inventor: **Chao Li**, Shenzhen (CN)
(73) Assignee: **Shenzhen Finicare Co., Ltd.**, Shenzhen (CN)

(**) Term: **15 Years**
(21) Appl. No.: **29/882,398**
(22) Filed: **Jan. 13, 2023**

(30) **Foreign Application Priority Data**
Dec. 15, 2022 (EM) 015006334-0001
(51) **LOC (14) Cl.** **24-02**
(52) **U.S. Cl.**
USPC **D24/165**
(58) **Field of Classification Search**
USPC D24/165, 166-169, 185, 186, 200, 107;
D14/402, 407, 408
CPC A61B 5/02; A61B 5/0205; A61B 5/021;
A61B 5/02141; A61B 5/022; A61B
5/024; A61B 5/02438; A61B 5/026; A61B
2560/0406; A61B 2560/0462
See application file for complete search history.

(56) **References Cited**
U.S. PATENT DOCUMENTS
D439,907 S * 4/2001 Edwards D14/408
D473,232 S * 4/2003 Fisher D14/402
D473,308 S * 4/2003 Nakanishi D24/165
D533,279 S * 12/2006 Kobayashi D24/165
D533,666 S * 12/2006 Kobayashi D24/165
D541,941 S * 5/2007 Nakanishi D24/165
D562,457 S 2/2008 Ferber
D569,521 S 5/2008 Omaki
D577,440 S * 9/2008 Ferber D24/165

D583,474 S * 12/2008 Mitsunami D24/165
D651,716 S * 1/2012 Shibata D24/165
D739,938 S * 9/2015 Schempp D24/165
D739,939 S * 9/2015 Uozumi D24/165
D743,035 S * 11/2015 Uozumi D24/165
D811,596 S 2/2018 Verbrugge
D862,702 S * 10/2019 Nishiyama D24/165

(Continued)

OTHER PUBLICATIONS

Ozeri BP9W Arm Blood Pressure Monitor with Split-Screen Hypertension Color Alert Technology. Amazon. Date first available: Sep. 21, 2020. Retrieval date: Mar. 25, 2023. Retrieved from internet: <https://www.amazon.com/Ozeri-BP9W-Split-Screen-Hypertension-Technology/dp/B08KB7287W> (Year: 2020).*
(Continued)

Primary Examiner — Daniel J Domino
Assistant Examiner — Lee D. Starr
(74) *Attorney, Agent, or Firm* — Jeenam Park

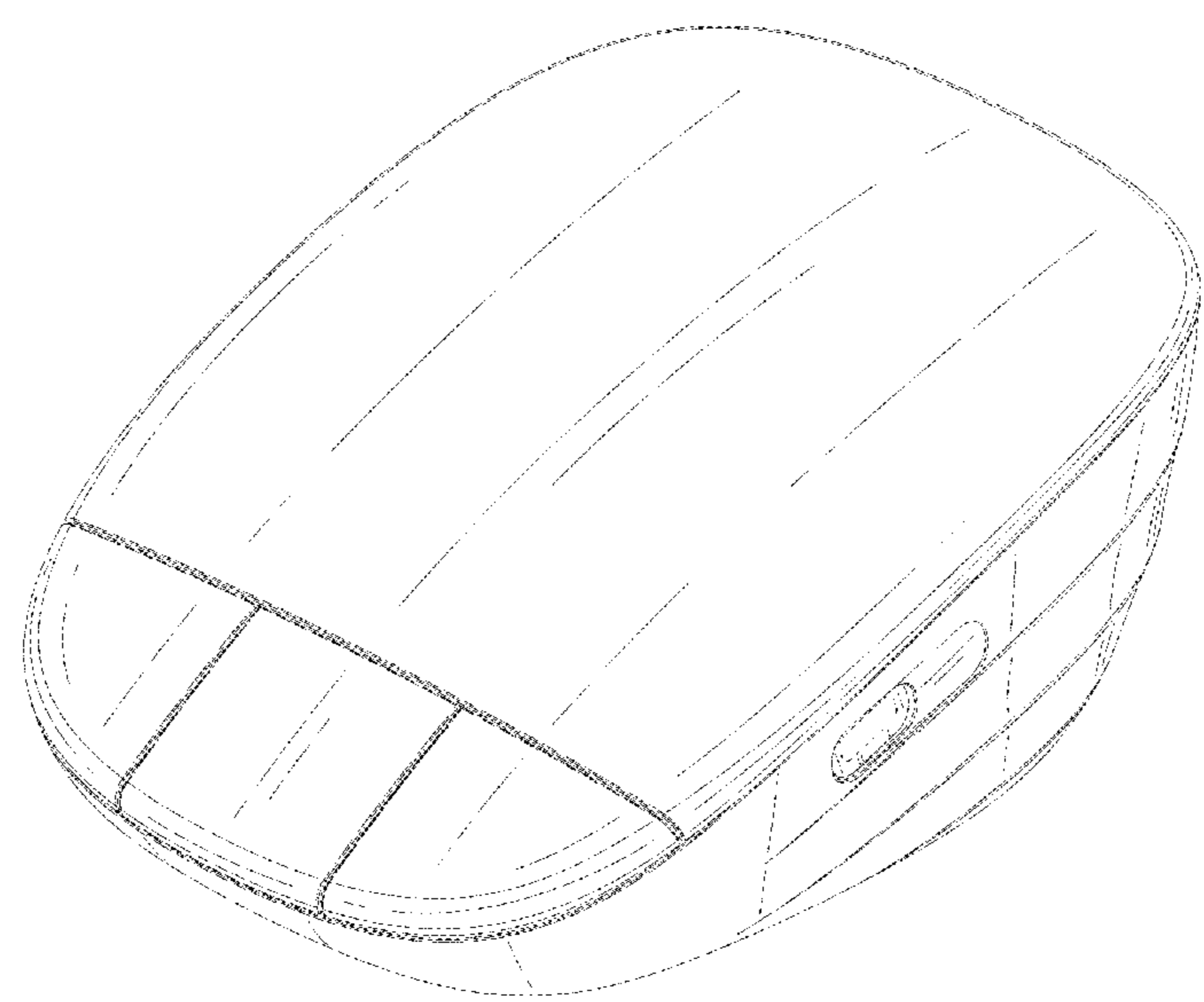
(57) **CLAIM**

The ornamental design for a blood pressure monitor, as shown and described.

DESCRIPTION

FIG. 1 is a front, right and top perspective view of a blood pressure monitor, showing my new design;
FIG. 2 is a rear, left and bottom perspective view thereof;
FIG. 3 is a front view thereof;
FIG. 4 is a rear view thereof;
FIG. 5 is a left side view thereof;
FIG. 6 is a right side view thereof;
FIG. 7 is a top plan view thereof; and,
FIG. 8 is a bottom plan view thereof.
The broken lines shown in the drawings illustrate portions of the blood pressure monitor that form no part of the claimed design.

1 Claim, 8 Drawing Sheets



(56)

References Cited

U.S. PATENT DOCUMENTS

D903,120 S * 11/2020 Nishiyama D24/165
D922,580 S * 6/2021 Cao D24/165
D942,628 S * 2/2022 Dai D24/165
D978,353 S * 2/2023 Gao D24/165
D979,065 S * 2/2023 Wang D24/165
D979,067 S * 2/2023 Li D24/165
D979,068 S * 2/2023 Li D24/165
2006/0235311 A1* 10/2006 Chan A61B 5/681
600/490
2011/0301476 A1* 12/2011 Sawanoi A61B 5/02225
600/494
2012/0226171 A1* 9/2012 Doi A61B 5/02141
600/490
2021/0127996 A1* 5/2021 Kobayashi A61B 5/02141

OTHER PUBLICATIONS

Sinocare Blood Pressure Monitor, Adjustable Large Upper Arm Cuff. Amazon. Date first available: Jun. 8, 2020. Retrieval date: Mar. 25, 2023. Retrieved from internet: <https://www.amazon.com/Sinocare-Automatic-Adjustable-Hypertension-Batteries/dp/B089SY5MTR> (Year: 2020).*

Blood Pressure Machine—Automatic BP monitor by femometer. Amazon. Date first available: Jul. 1, 2022. Retrieval date: Mar. 25, 2023. Retrieved from internet: <https://www.amazon.com/Blood-Pressure-Machine-Adjustable-Rechargeable/dp/B0B582YDVM> (Year: 2022).*

* cited by examiner

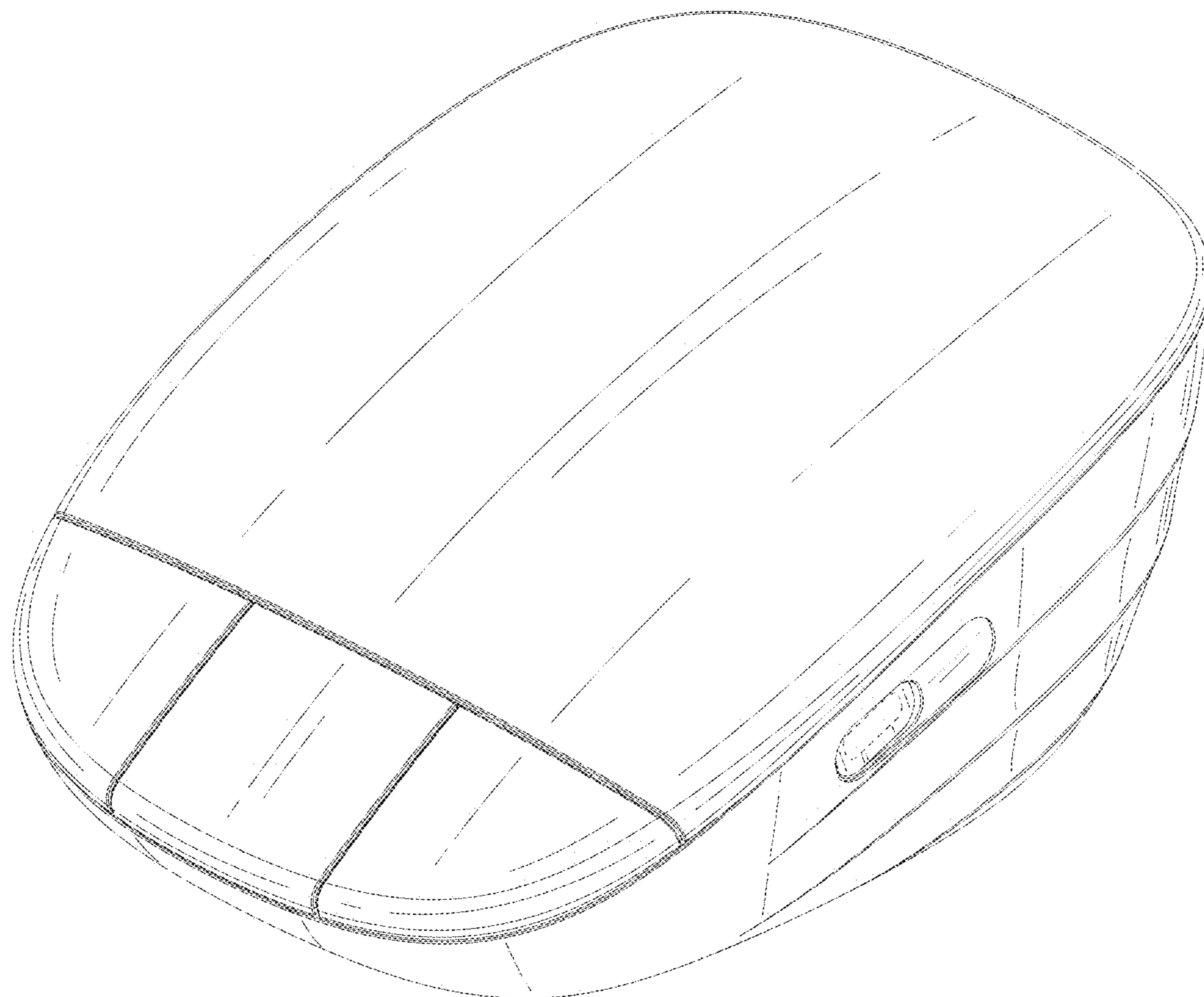


FIG. 1

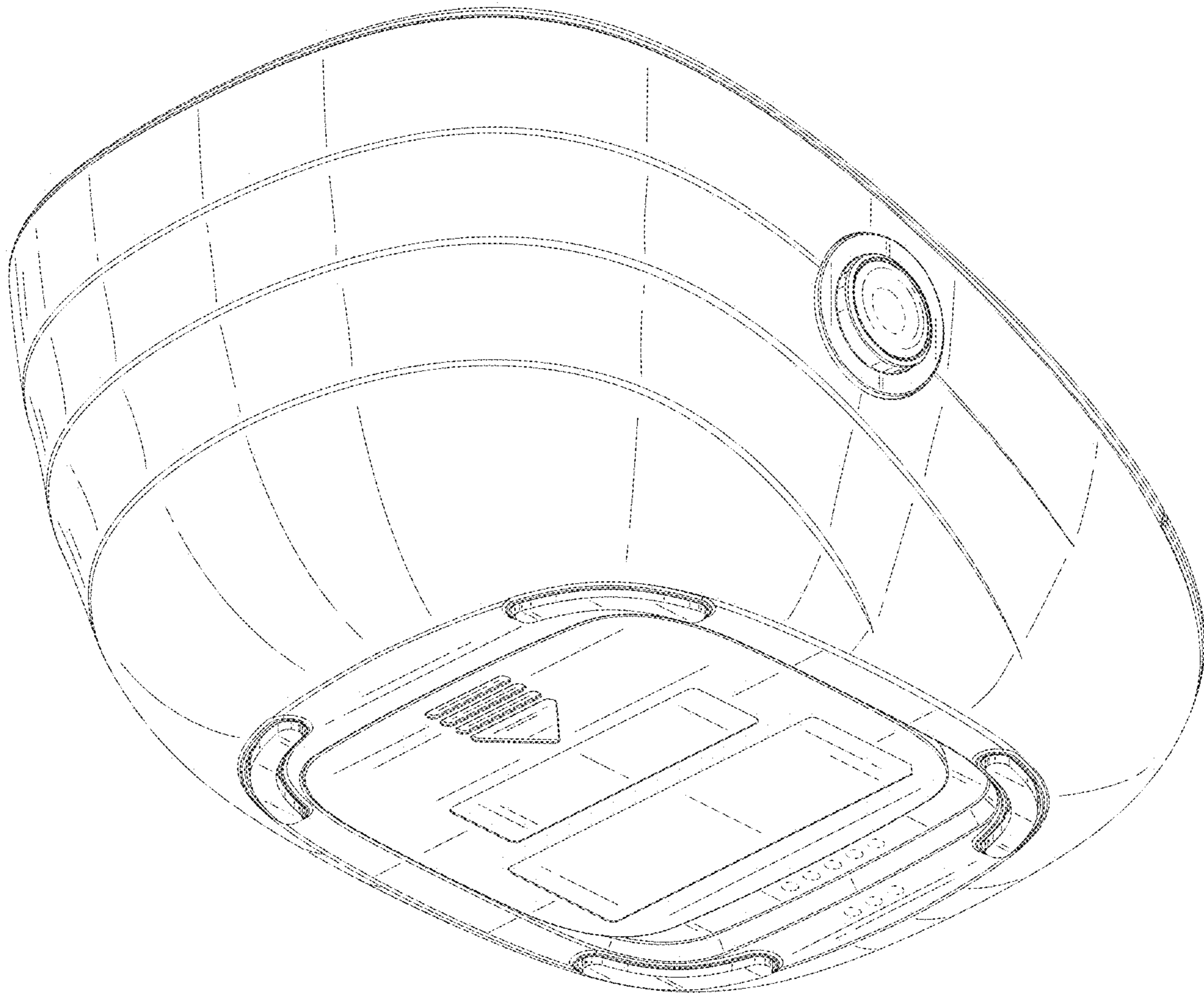


FIG. 2

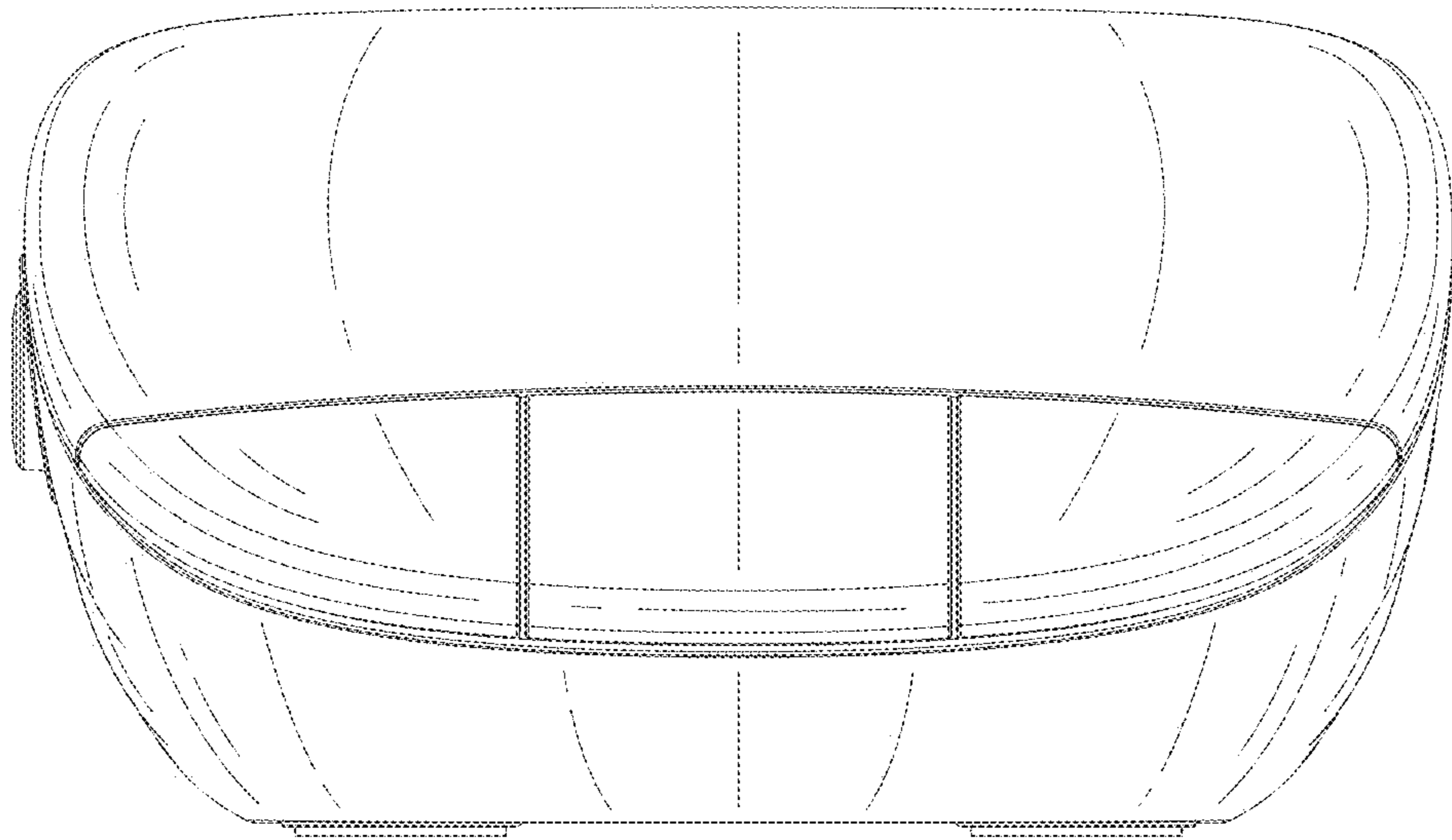


FIG. 3

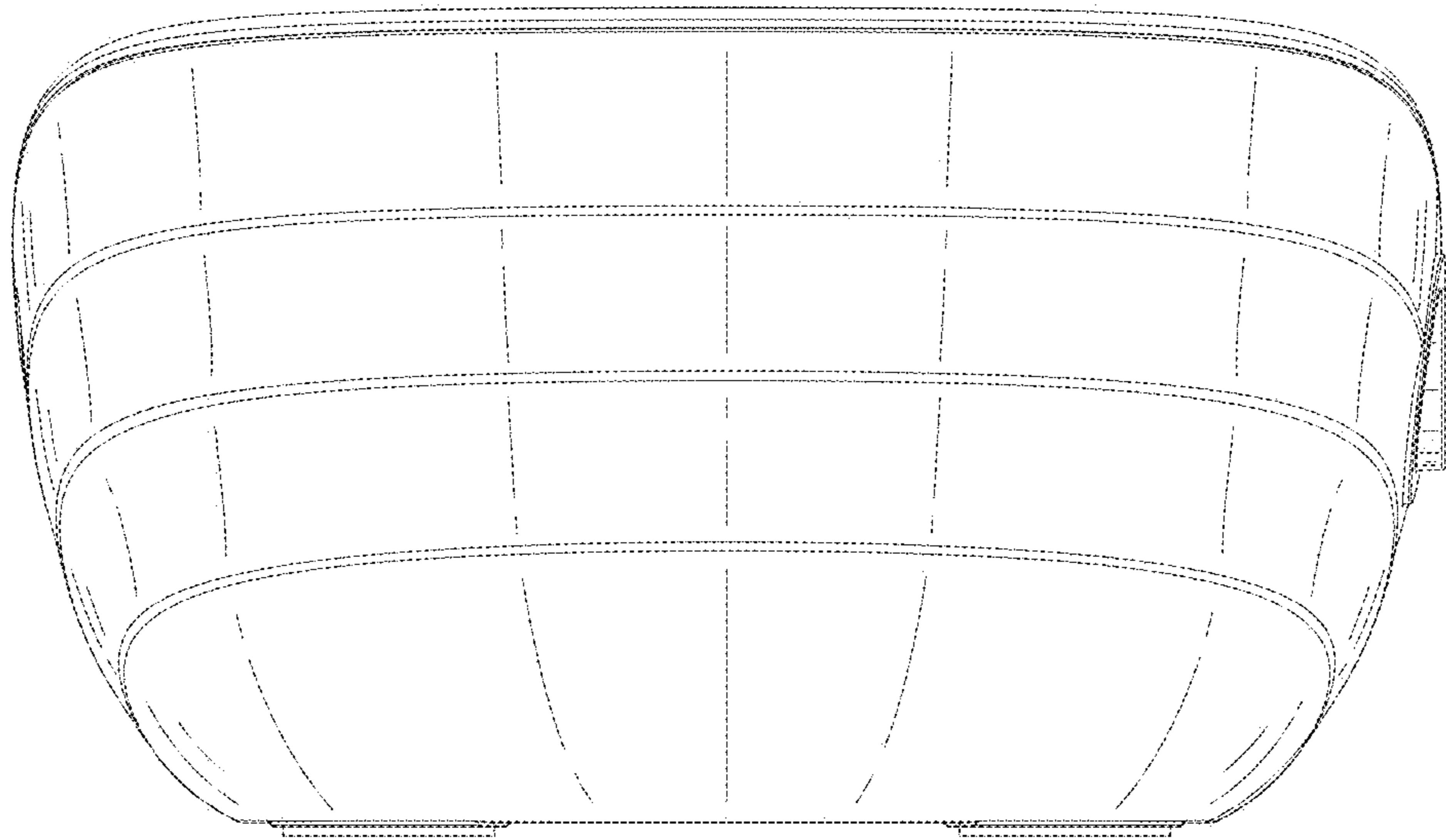


FIG. 4

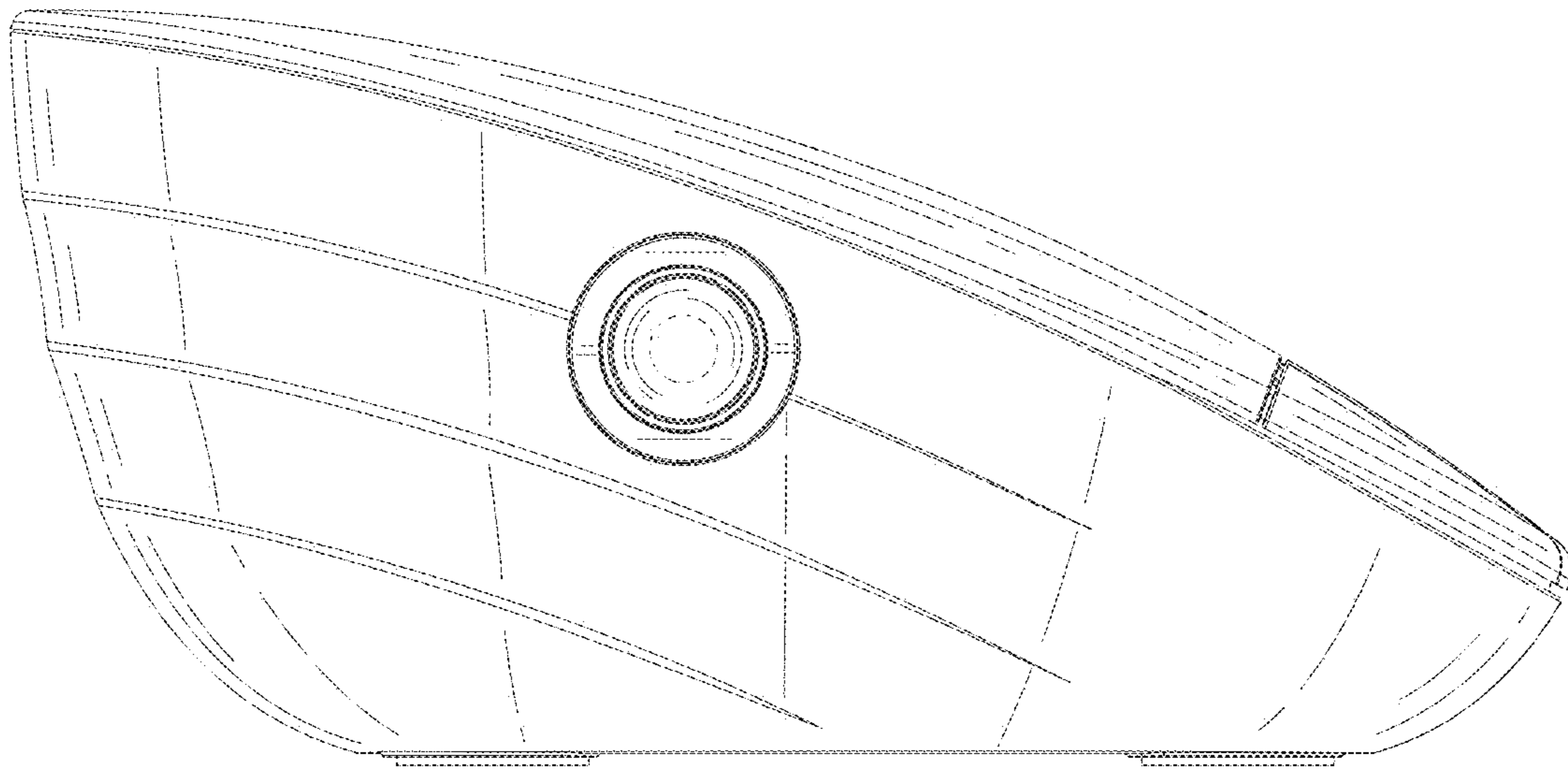


FIG. 5

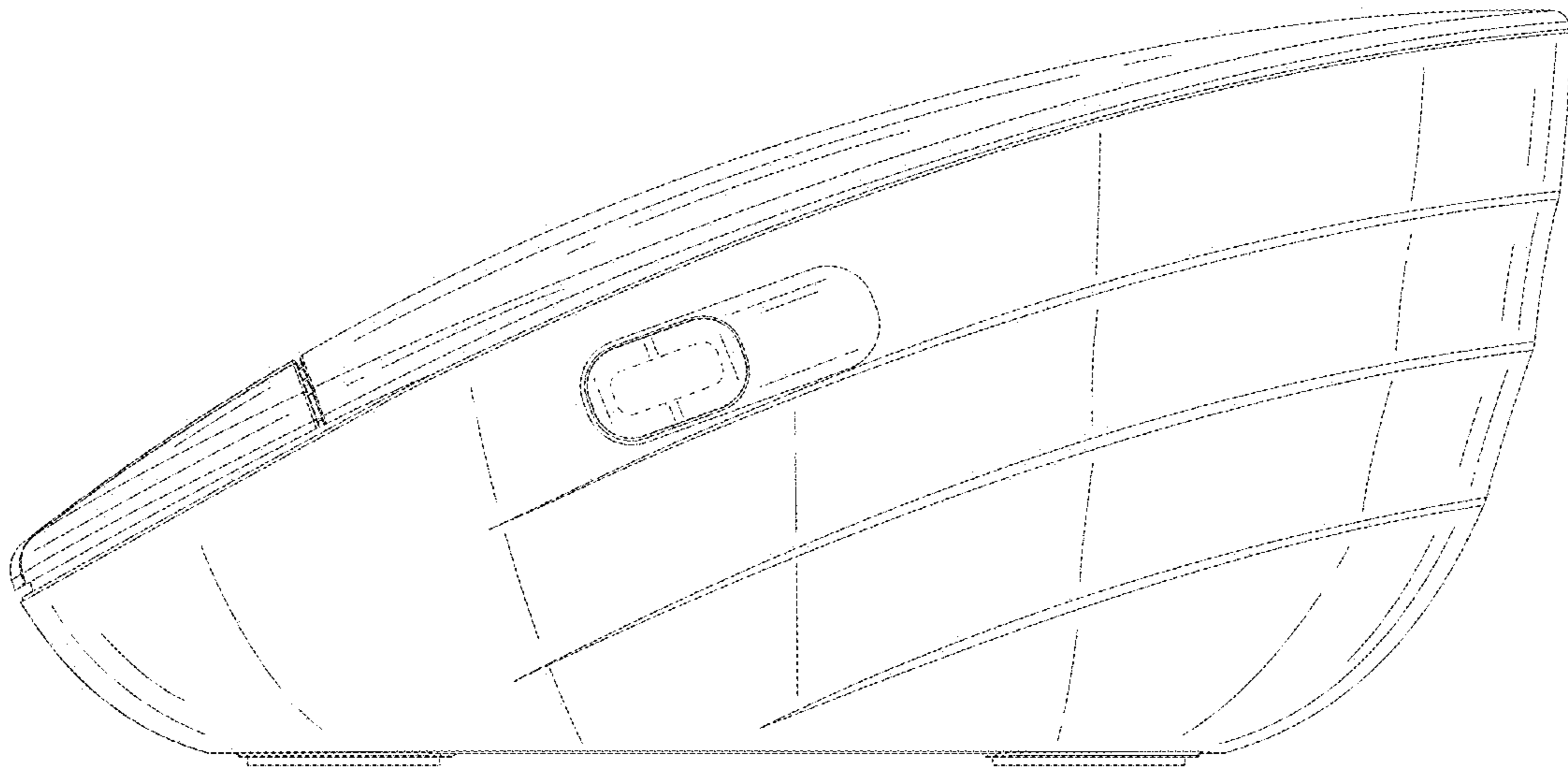


FIG. 6

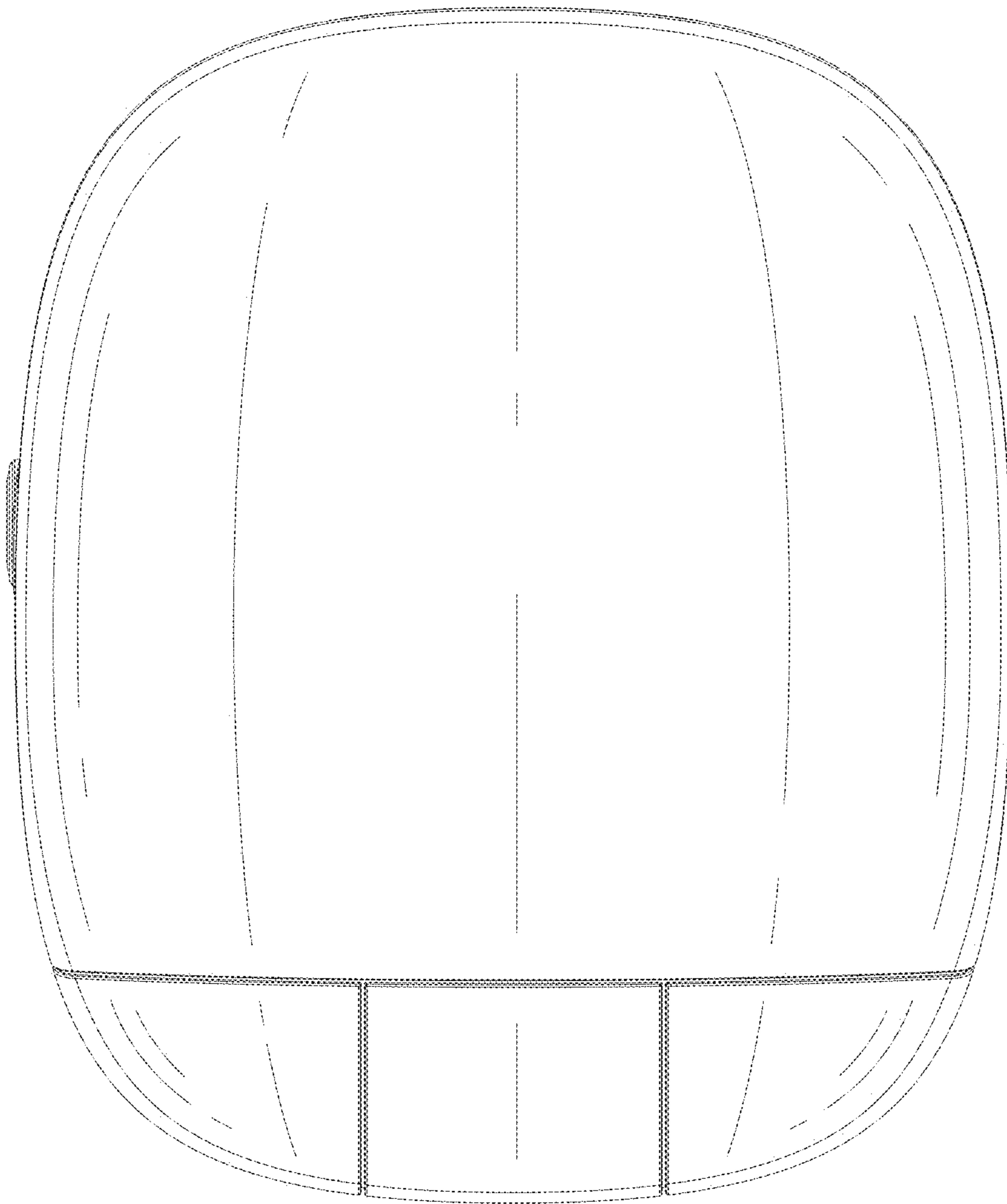


FIG. 7

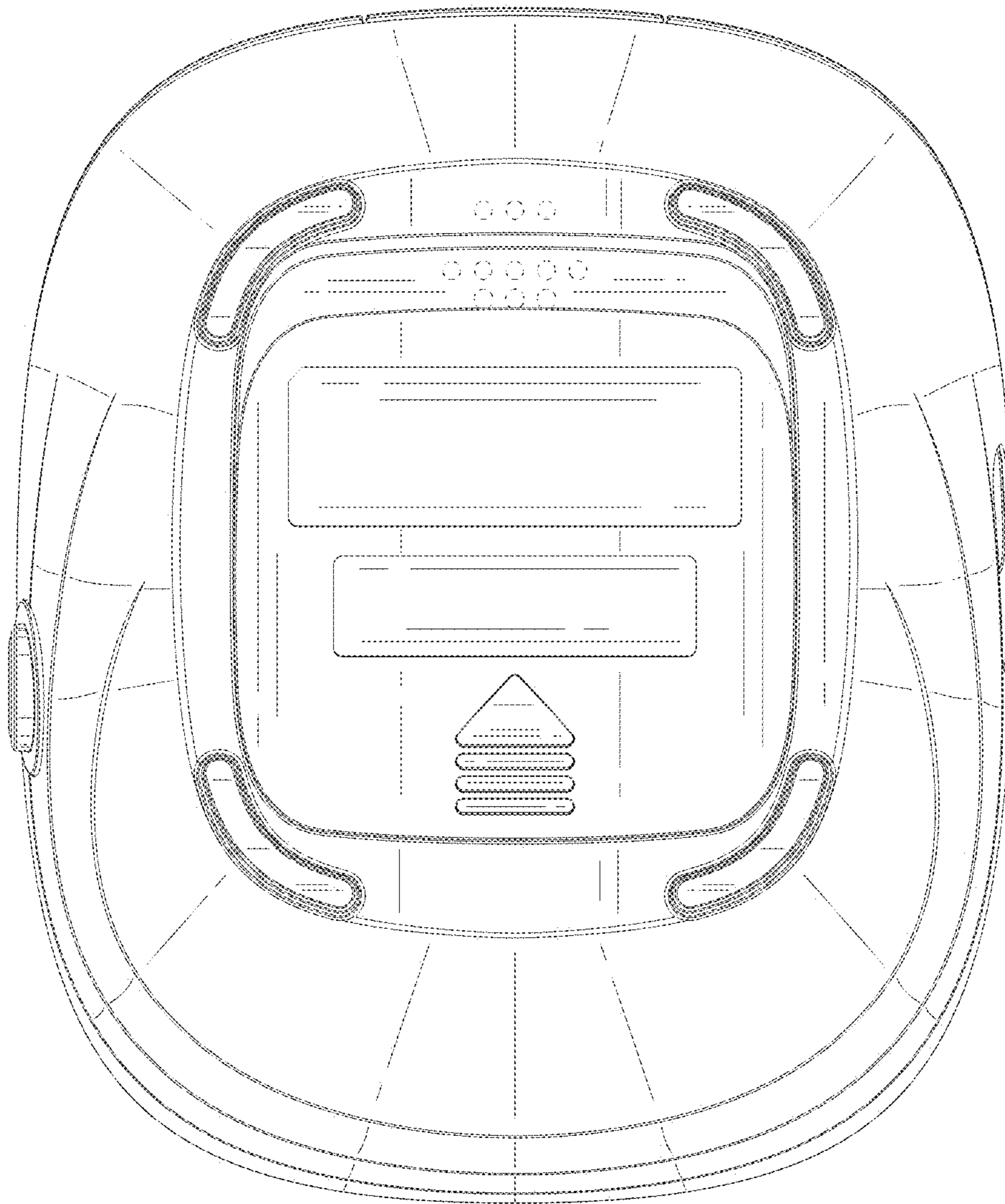


FIG. 8