



US00D988513S

(12) **United States Design Patent**  
**Bassir**

(10) **Patent No.:** **US D988,513 S**  
(45) **Date of Patent:** **\*\* Jun. 6, 2023**

(54) **INTRAORAL SCANNER**

(71) Applicant: **SprintRay Inc.**, Los Angeles, CA (US)

(72) Inventor: **Hossein Bassir**, Los Angeles, CA (US)

(73) Assignee: **SprintRay Inc.**, Los Angeles, CA (US)

(\*\*) Term: **15 Years**

(21) Appl. No.: **29/850,438**

(22) Filed: **Aug. 19, 2022**

(51) **LOC (14) Cl.** ..... **24-02**

(52) **U.S. Cl.**  
USPC ..... **D24/152**

(58) **Field of Classification Search**

USPC ..... D24/107, 108, 112, 113, 114, 127, 133,  
D24/146, 152, 176, 181, 186; D4/100,  
D4/114; D14/426; D16/208  
CPC ..... A61B 5/1077; A61B 1/24; A61B 5/0088;  
A61C 9/0053; A61C 9/006; A61C  
9/0066; A61C 1/088; G06T 2207/30036  
See application file for complete search history.

(56) **References Cited**

**U.S. PATENT DOCUMENTS**

D290,750 S \* 7/1987 DiCarlo ..... D24/146  
D414,867 S \* 10/1999 Moriwaki ..... A61B 1/00124  
D24/152  
D468,429 S 1/2003 Bareth et al.  
D551,765 S \* 9/2007 Berry Pitts ..... D24/152  
D558,345 S \* 12/2007 Witt ..... D24/152

(Continued)

**FOREIGN PATENT DOCUMENTS**

CN 303388846 9/2015  
CN 303456218 11/2015

(Continued)

**OTHER PUBLICATIONS**

3Shape; "Trios Intraoral Scanners"; 3Shape website; unknown publication date; [https://www.3shape.com/en/scanners/triosgclid=Cj0KCQjwof6WBhD4ARIsAOi65ah2pGignezo8CBwsphQgKQAcceAKx\\_uFNTZRft5ldpvJOwmcMJqoSlaAvcvEALW\\_wCB](https://www.3shape.com/en/scanners/triosgclid=Cj0KCQjwof6WBhD4ARIsAOi65ah2pGignezo8CBwsphQgKQAcceAKx_uFNTZRft5ldpvJOwmcMJqoSlaAvcvEALW_wCB).

(Continued)

*Primary Examiner* — Jonathan J Han

*Assistant Examiner* — Amanda J Berlinski

(74) *Attorney, Agent, or Firm* — Jafari Law Group, Inc.

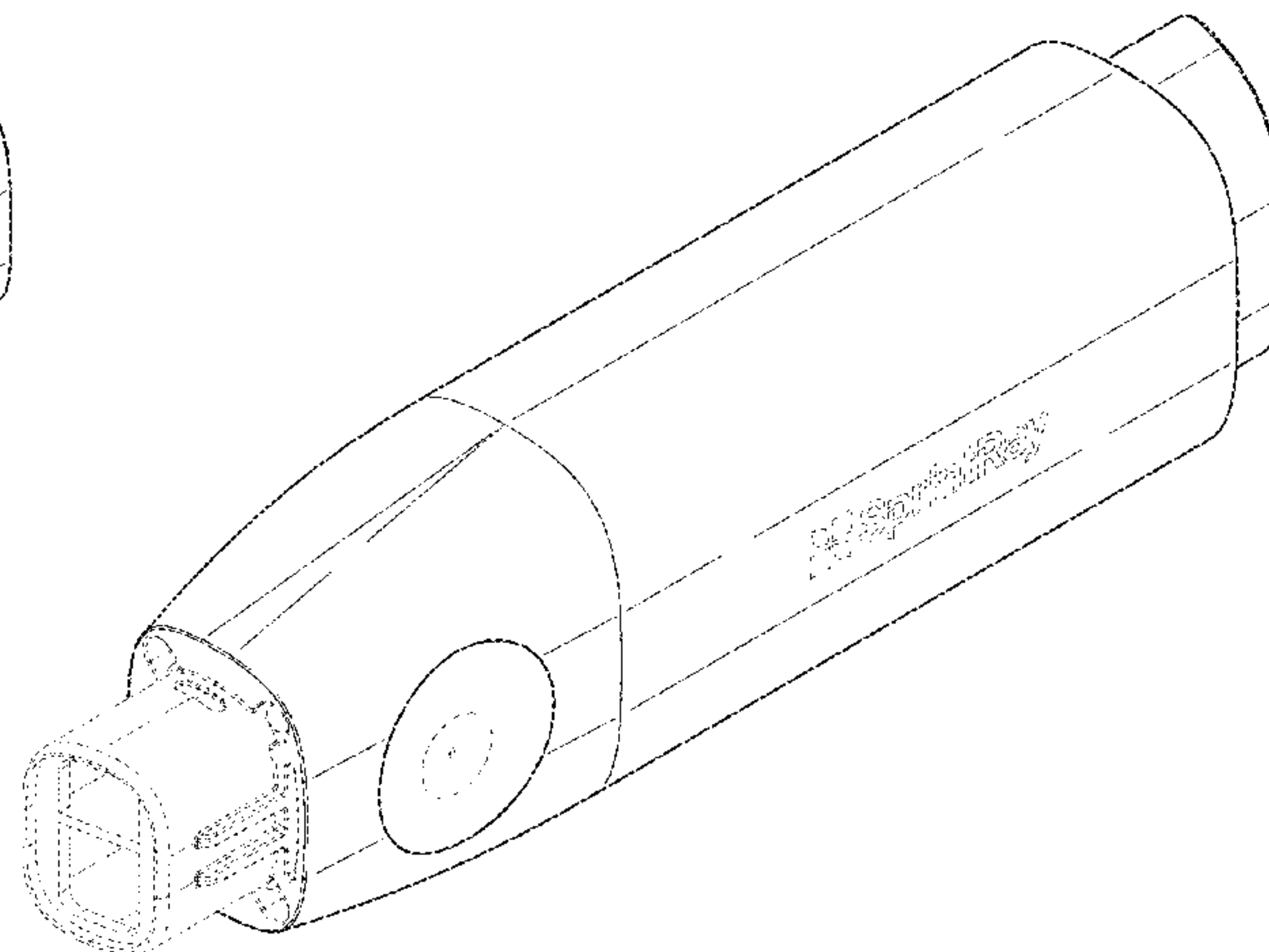
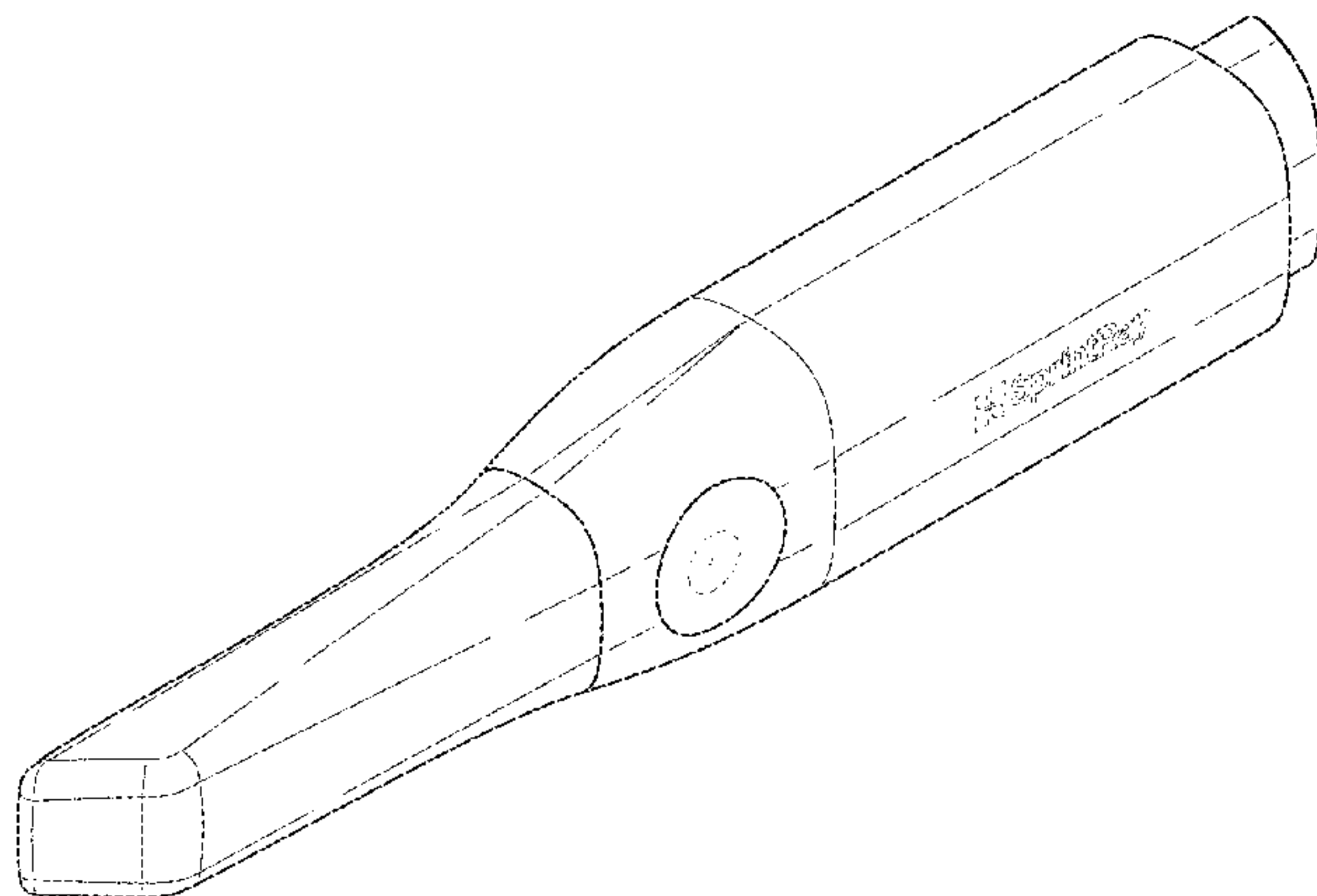
(57) **CLAIM**

The ornamental design for an intraoral scanner, as shown and described.

**DESCRIPTION**

FIG. 1 illustrates a front perspective view of an intraoral scanner with a removable tip component attached; FIG. 2 illustrates a back perspective view thereof; FIG. 3 illustrates another back perspective view thereof; FIG. 4 illustrates another front perspective view thereof; FIG. 5 illustrates an enlarged front view thereof; FIG. 6 illustrates an enlarged back view thereof; FIG. 7 illustrates a top view thereof; FIG. 8 illustrates a bottom view thereof; FIG. 9 illustrates a right-side view thereof; FIG. 10 illustrates a left-side view thereof; FIG. 11 illustrates a front perspective view of the intraoral scanner of FIG. 1 without the removable tip component attached; FIG. 12 illustrates a back perspective view thereof; FIG. 13 illustrates another back perspective view thereof; FIG. 14 illustrates another front perspective view thereof; FIG. 15 illustrates an enlarged front view thereof; FIG. 16 illustrates a top view thereof; FIG. 17 illustrates a bottom view thereof; FIG. 18 illustrates a right-side view thereof; and, FIG. 19 illustrates a left-side view thereof. The broken lines shown in the figures depict portions of the intraoral scanner that form no part of the claimed design.

**1 Claim, 14 Drawing Sheets**



(56)

References Cited

U.S. PATENT DOCUMENTS

D574,081 S \* 7/2008 Berry Pitts ..... D24/152  
 D604,412 S \* 11/2009 Kobayashi ..... D24/152  
 D613,865 S 4/2010 De Charentenay  
 D616,992 S \* 6/2010 Kitayama ..... D24/186  
 D630,747 S 1/2011 Shinohara  
 D648,026 S \* 11/2011 Okawa ..... D24/152  
 D674,091 S 1/2013 Carlson  
 D711,951 S 8/2014 Mazuir  
 D714,442 S \* 9/2014 Norichika ..... D24/152  
 D714,443 S \* 9/2014 Tanaka ..... D24/152  
 D722,164 S \* 2/2015 Graham, II ..... D24/152  
 D742,518 S 11/2015 Barak  
 D774,193 S \* 12/2016 Makmel ..... D24/152  
 D780,182 S 2/2017 Klein  
 D782,054 S 3/2017 Lim et al.  
 D785,176 S 4/2017 Tseng  
 D806,248 S 12/2017 Makmel et al.  
 D810,293 S \* 2/2018 Peel ..... A61B 5/0088  
 D24/176  
 D813,392 S 3/2018 Wang  
 D824,029 S \* 7/2018 Cai ..... D24/152  
 D855,182 S \* 7/2019 Ma ..... D24/152  
 D862,697 S 10/2019 Kenworthy  
 D878,588 S \* 3/2020 Chang ..... D24/152  
 10,599,227 B2 3/2020 Sabina  
 D884,175 S \* 5/2020 Aubailly ..... D24/152  
 D908,160 S \* 1/2021 Sun ..... D16/208  
 D910,850 S 2/2021 Hansen et al.  
 D915,594 S \* 4/2021 Chang ..... D24/152  
 D916,288 S 4/2021 Hansen  
 D917,694 S \* 4/2021 Schneider ..... D24/130  
 D918,209 S 5/2021 Kenworthy

D922,586 S \* 6/2021 Zhou ..... D24/176  
 D925,739 S 7/2021 Shalev et al.  
 D933,820 S 10/2021 Ota  
 D952,145 S 5/2022 Sopko et al.  
 D952,851 S 5/2022 Chang  
 11,382,517 B2 \* 7/2022 Li ..... A61B 5/0088  
 11,497,587 B2 \* 11/2022 Wu ..... A61C 9/0053  
 D979,755 S \* 2/2023 Teufel ..... D24/152  
 2008/0060148 A1 \* 3/2008 Pinyayev ..... A61B 5/0088  
 15/4  
 2015/0208910 A1 \* 7/2015 Wang ..... A61B 1/00124  
 433/29  
 2019/0282342 A1 9/2019 Aubailly et al.  
 2022/0313094 A1 \* 10/2022 Lee ..... A61B 1/24  
 2022/0409347 A1 \* 12/2022 Lee ..... H04N 13/189  
 2023/0045331 A1 \* 2/2023 Lee ..... A61B 5/00

FOREIGN PATENT DOCUMENTS

CN 305351619 9/2019  
 CN 305351620 9/2019  
 CN 306704265 7/2021

OTHER PUBLICATIONS

Pokpong Amornvit; "Comparison of Accuracy of Current Ten Intraoral Scanners"; Hindawi; Sep. 13, 2021; <https://www.hindawi.com/journals/bmri/2021/2673040/>.  
 Dentaltix; "Comparison of intraoral scans: Which one is best for your dental practice?"; Dentaltix website; Jul. 2, 2020; <https://www.dentaltix.com/en/blog/comparison-intraoral-scans-which-one-best-your-dental-practice>.

\* cited by examiner

FIG. 1

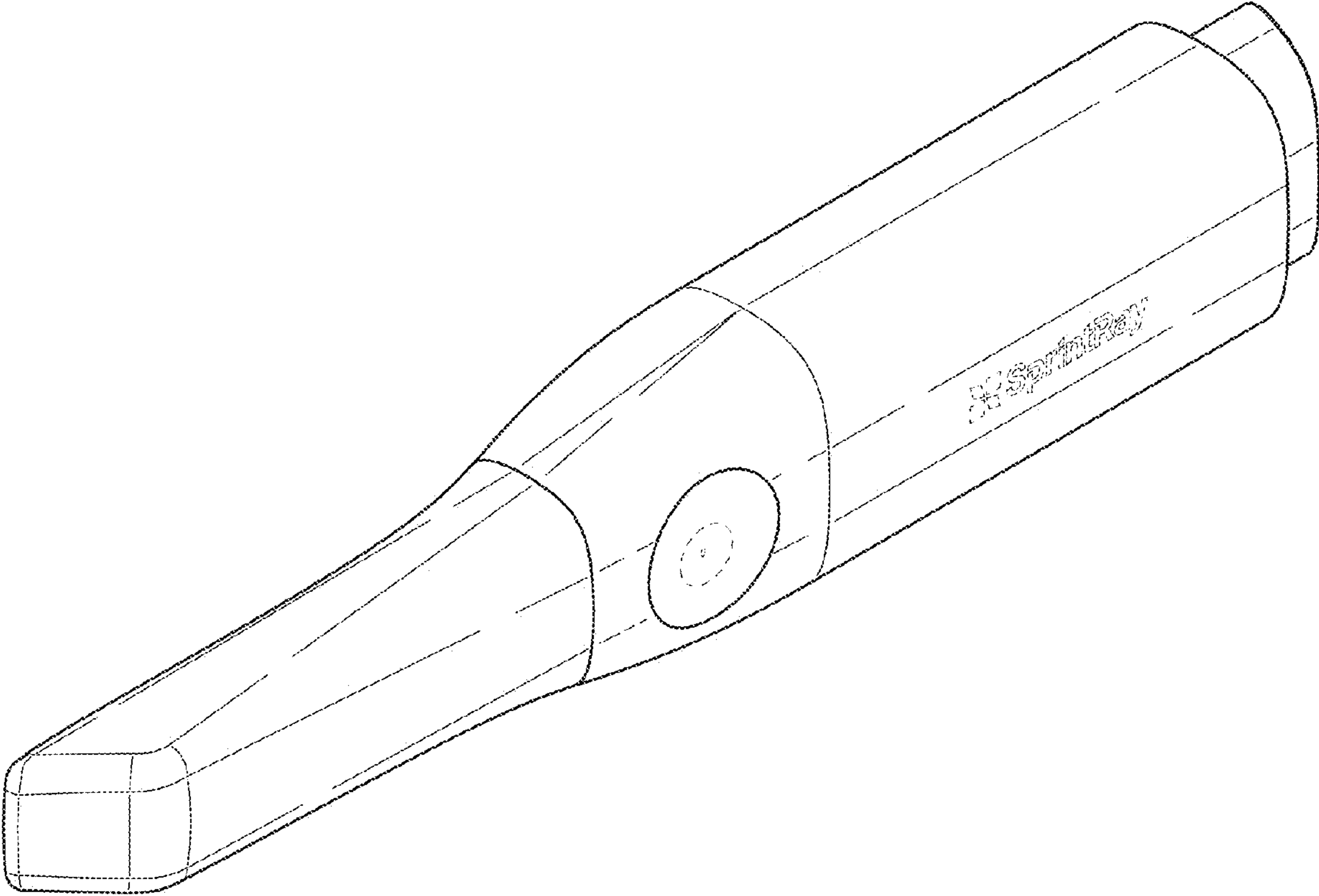


FIG. 2

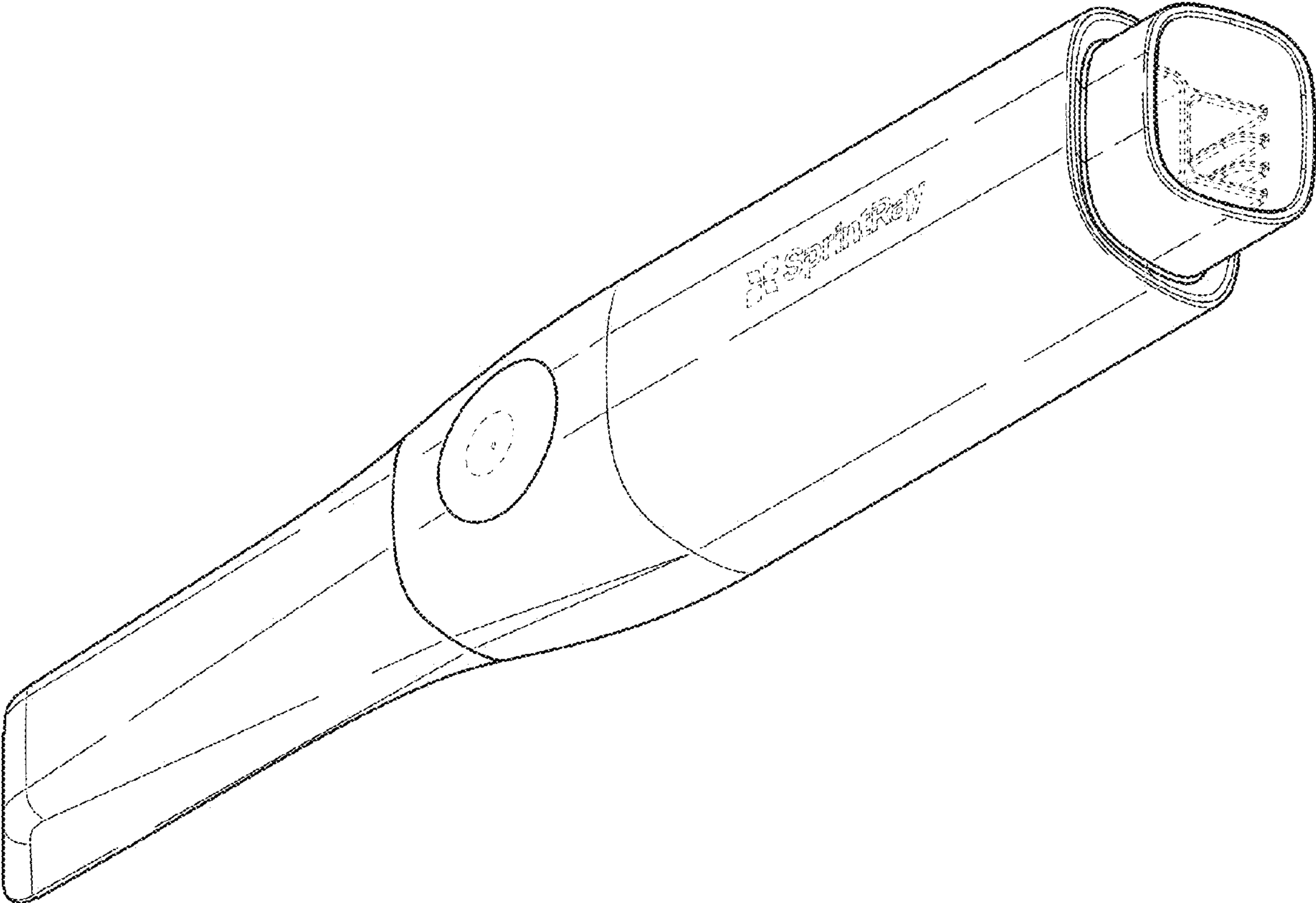




FIG. 3

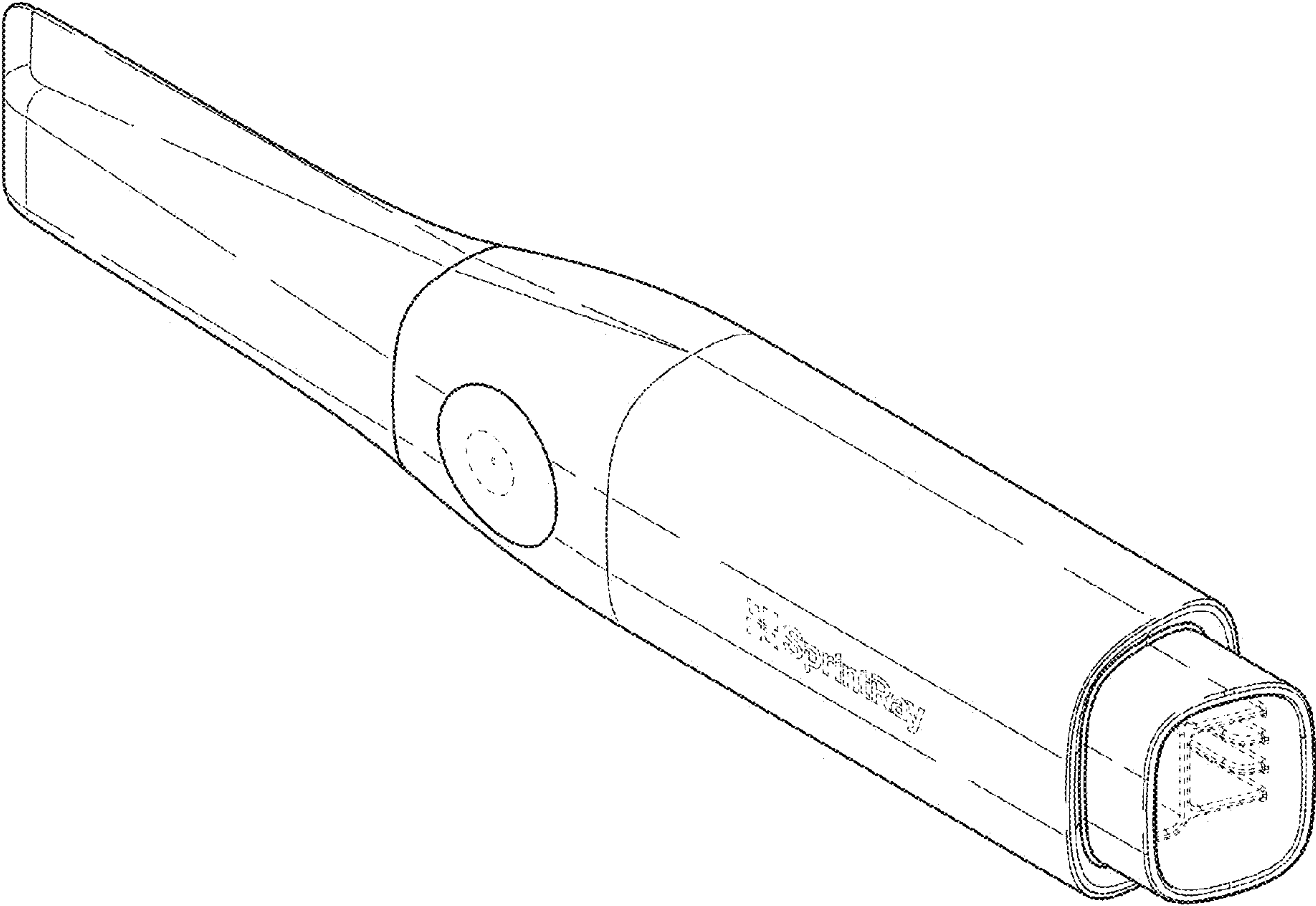


FIG. 4

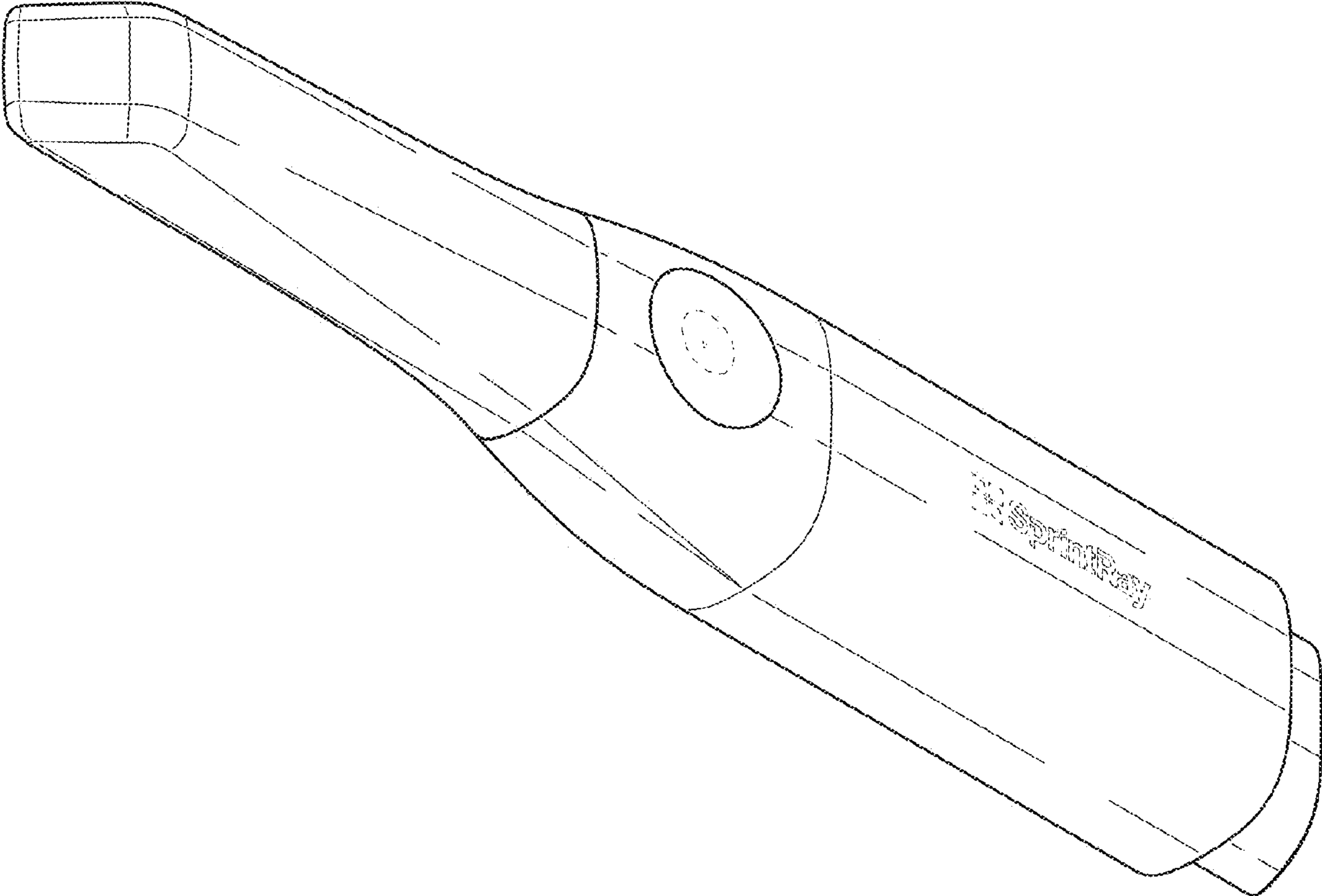


FIG. 5

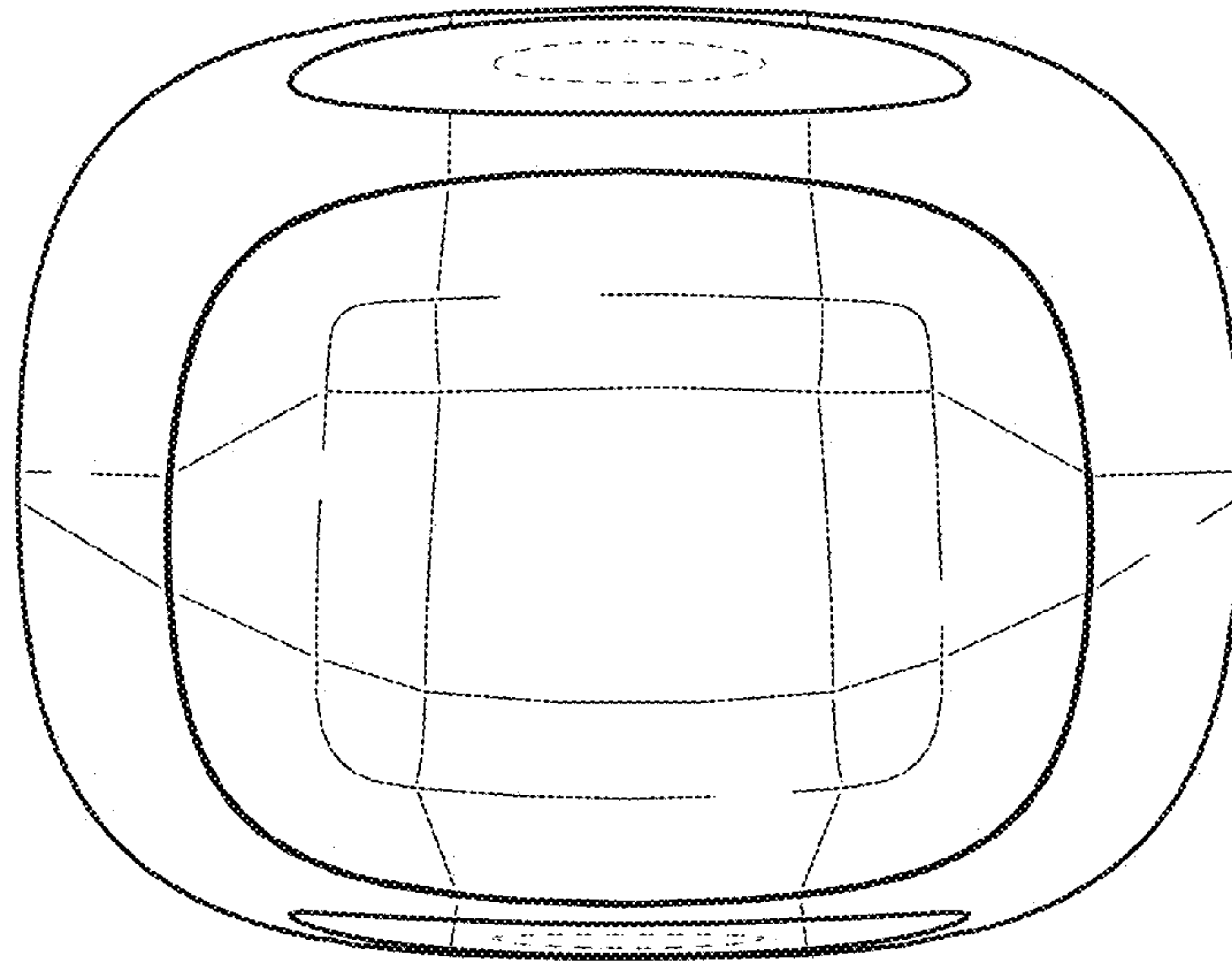


FIG. 6

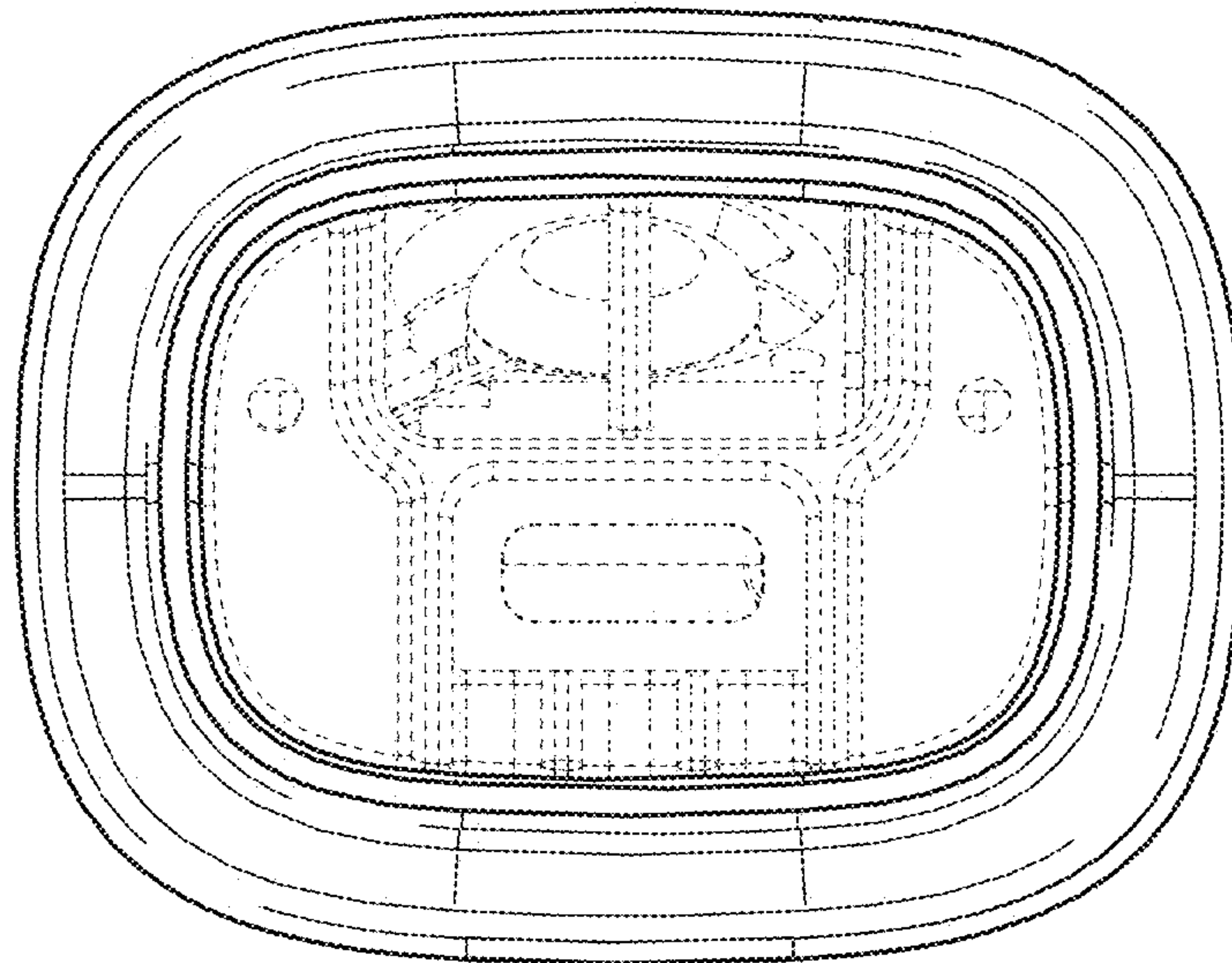


FIG. 7

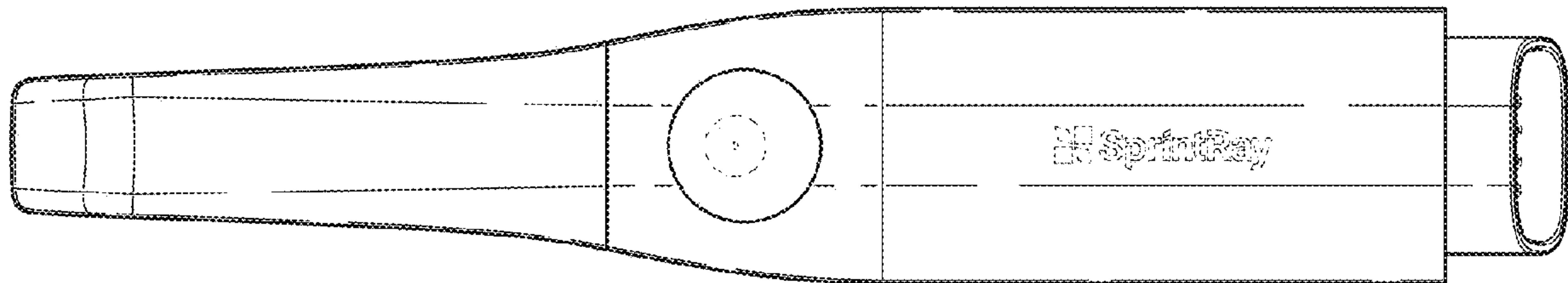


FIG. 8

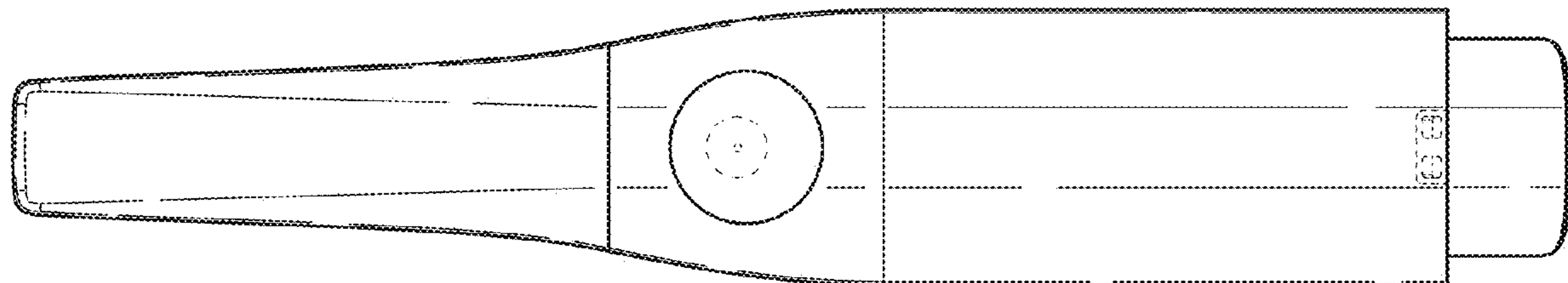




FIG. 9

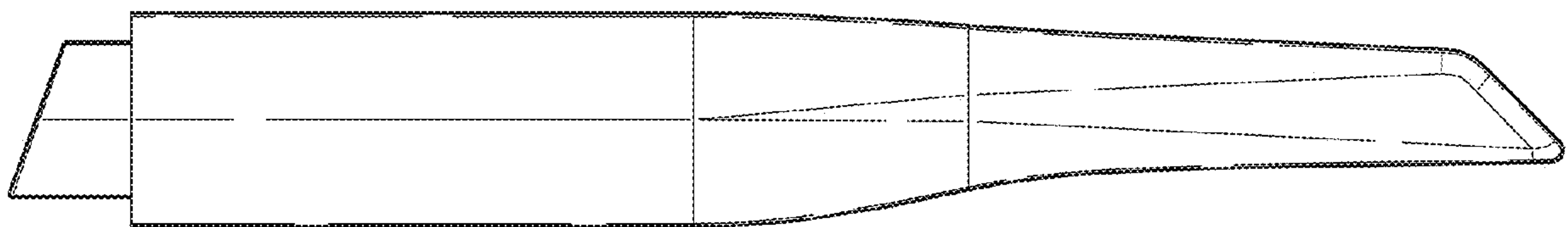


FIG. 10

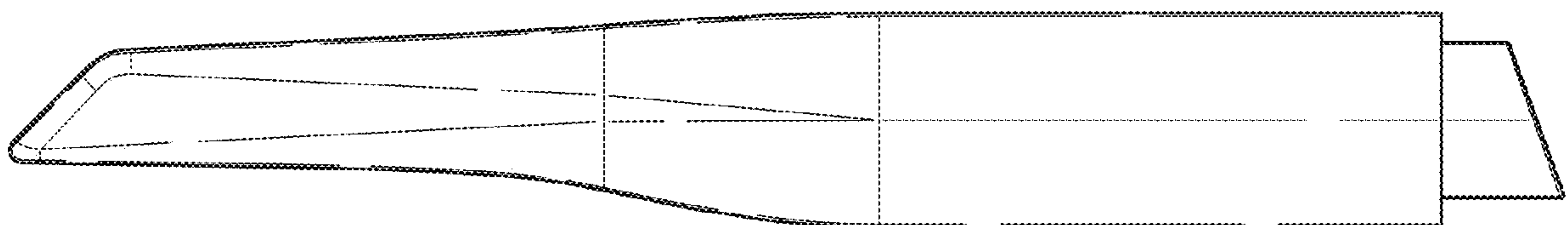


FIG. 11

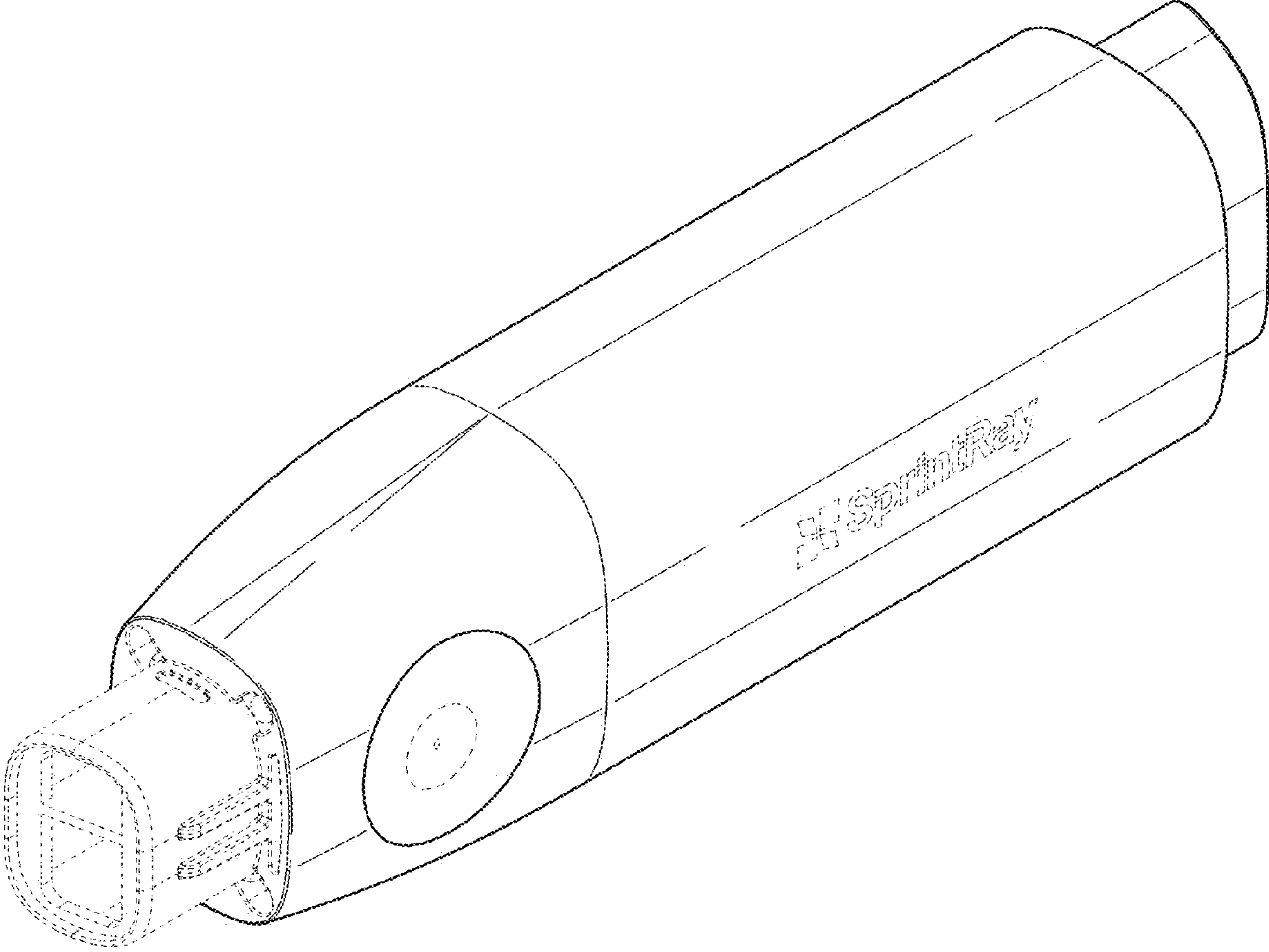


FIG. 12

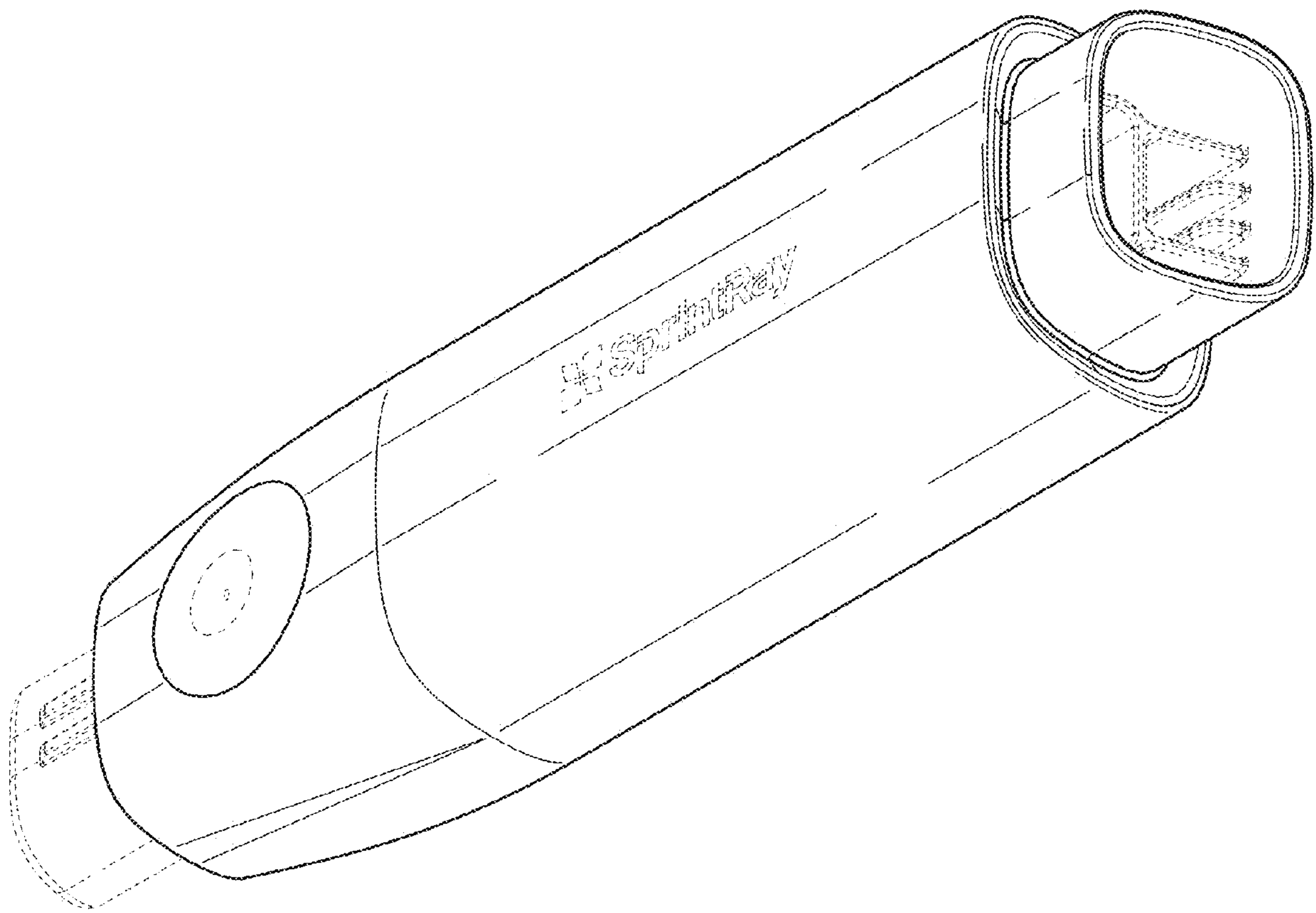


FIG. 13

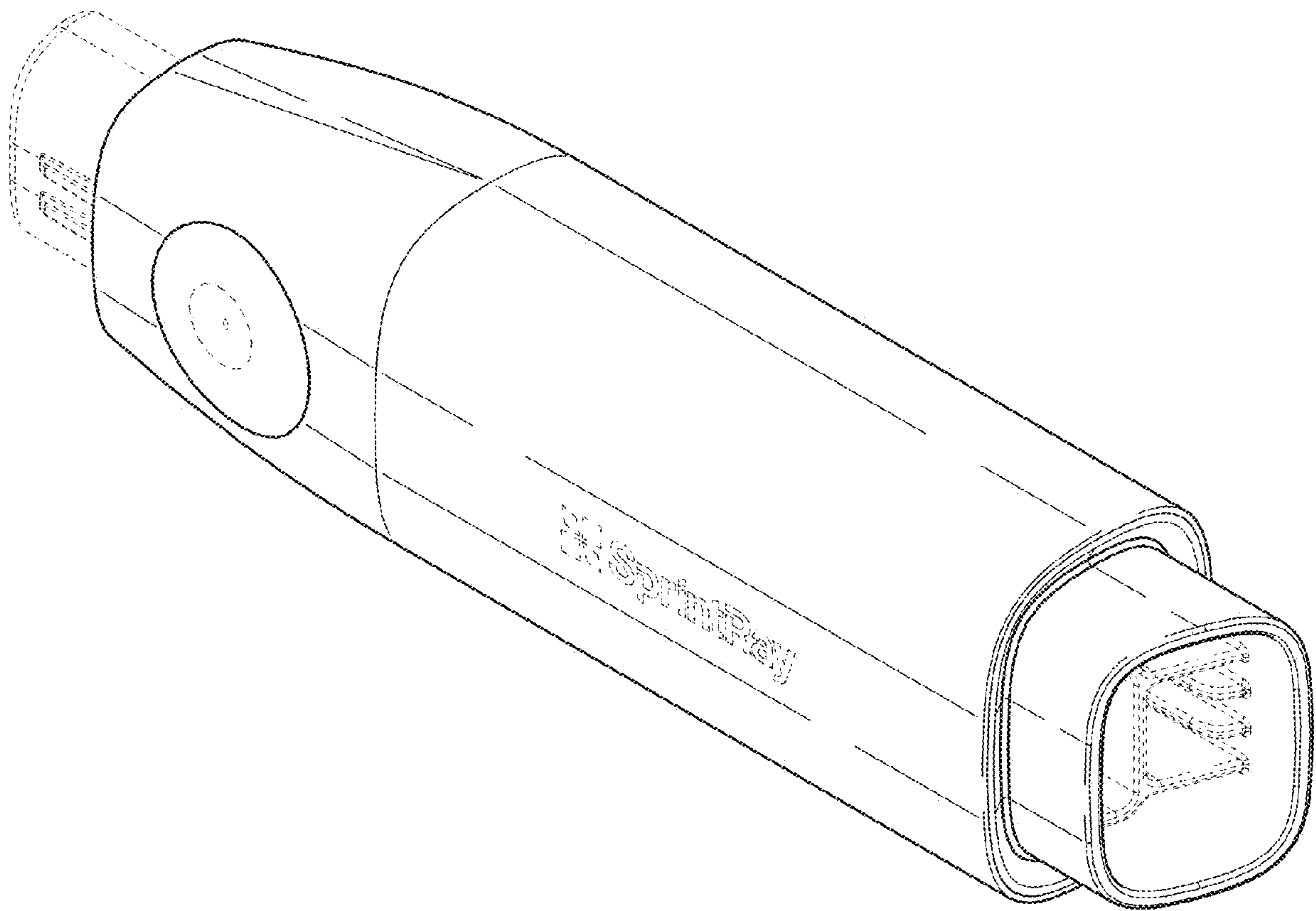


FIG. 14

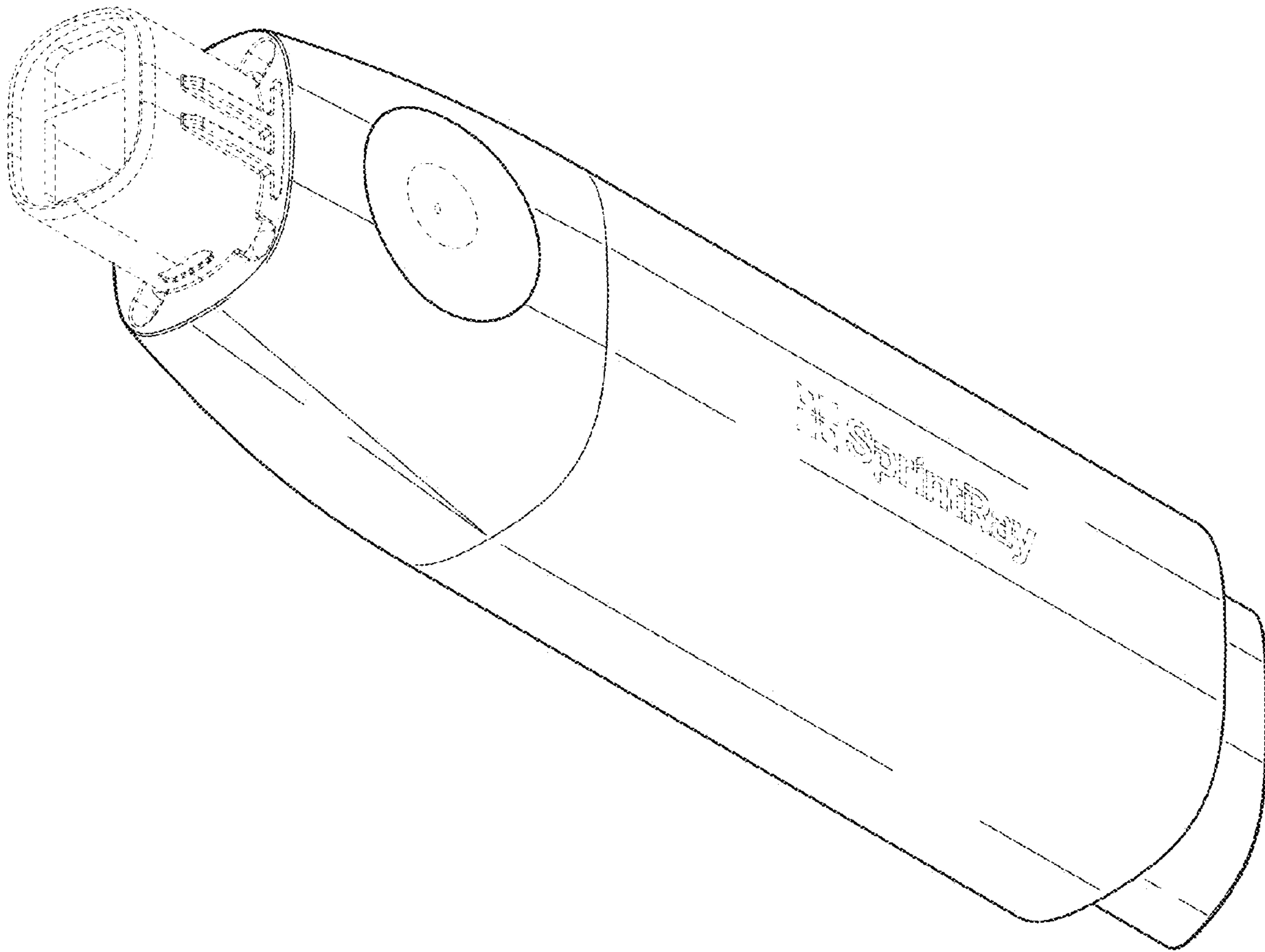




FIG. 15

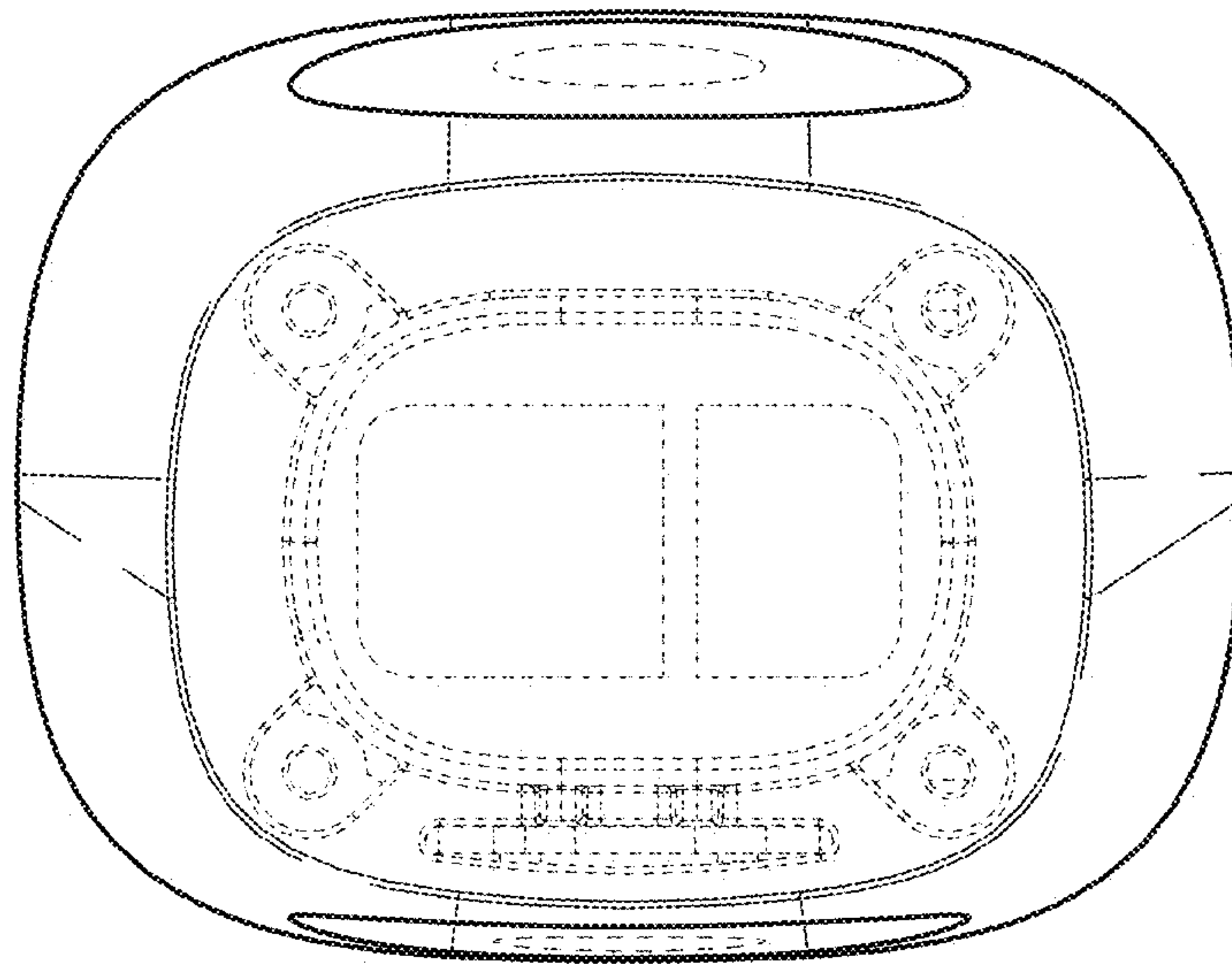


FIG. 16

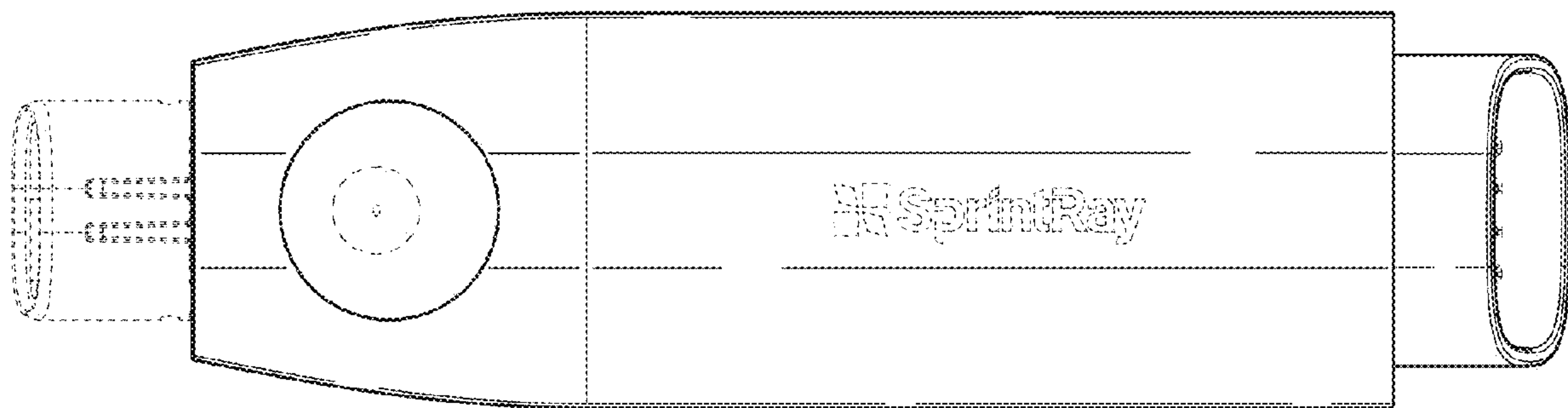


FIG. 17

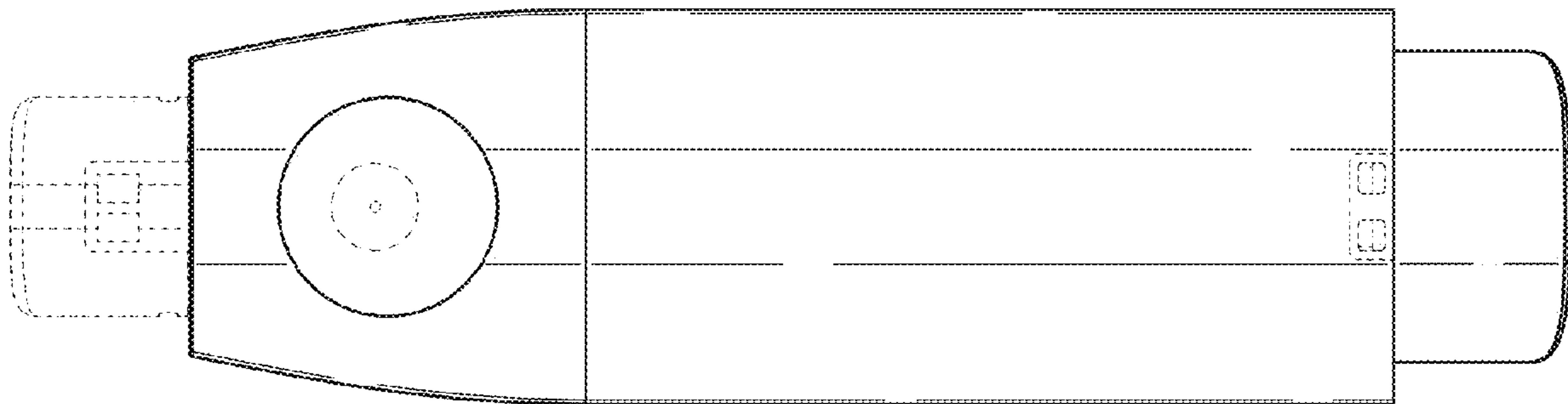


FIG. 18

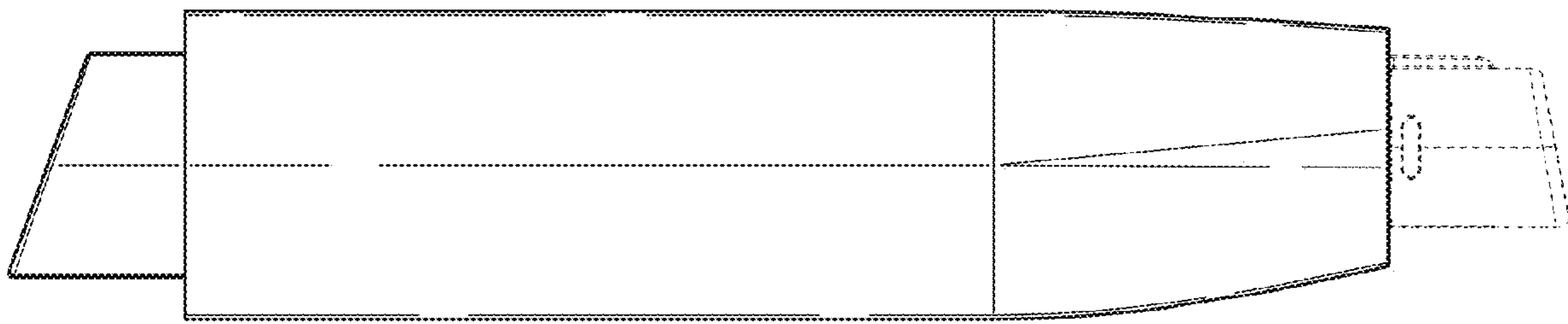


FIG. 19

