



US00D988511S

(12) **United States Design Patent**
Guggenheimer

(10) **Patent No.:** **US D988,511 S**
(45) **Date of Patent:** **** Jun. 6, 2023**

(54) **CATHETER HANDLE**
(71) Applicant: **Medtronic Vascular, Inc.**, Santa Rosa,
CA (US)
(72) Inventor: **Ethan Andrew Guggenheimer**,
Minnetonka, MN (US)
(73) Assignee: **MEDTRONIC VASCULAR, INC.**,
Santa Rosa, CA (US)

D770,618 S * 11/2016 Fiksen D24/144
D846,738 S * 4/2019 Kalina, Jr. D24/133
D903,100 S * 11/2020 Stats D24/112
D933,820 S * 10/2021 Ota D24/133
D944,395 S * 2/2022 Harris D24/112
D944,396 S * 2/2022 Harris D24/112
D952,842 S * 5/2022 Harris D24/133

(Continued)

(**) Term: **15 Years**

FOREIGN PATENT DOCUMENTS

EP 0268228 A 5/1988
EP 3384860 A1 10/2018

(Continued)

(21) Appl. No.: **29/713,502**

(22) Filed: **Nov. 15, 2019**

(51) **LOC (14) Cl.** **24-02**

(52) **U.S. Cl.**
USPC **D24/130**

(58) **Field of Classification Search**
USPC D24/127-131, 112-114, 133, 186, 118;
606/181, 185; 604/264, 523-528, 272,
604/187, 158, 164.01-164.11, 181, 184,
604/227

CPC A61M 25/0136; A61M 25/0147; A61M
2025/0186; A61M 25/0082; A61B
17/320758; A61B 17/320725; A61B
2017/22061; A61B 2017/00991; A61B
2017/00867; A61B 2017/22049; A61B
2017/320004; A61B 2017/00544

See application file for complete search history.

OTHER PUBLICATIONS

European Communication Pursuant to Article 94(3) EPC for cor-
responding Application No. 19 821 342.3, dated Jul. 18, 2022, 7
pages, München, Germany.

(Continued)

Primary Examiner — Nathan M Johnston
(74) *Attorney, Agent, or Firm* — Stinson LLP

(56) **References Cited**

U.S. PATENT DOCUMENTS

5,314,407 A 5/1994 Auth et al.
5,779,722 A 7/1998 Shturman et al.
D453,833 S * 2/2002 Hess D24/144
D494,270 S * 8/2004 Reschke D24/144
D578,216 S * 10/2008 Dorn D24/147
D634,843 S * 3/2011 Kim D24/140
8,398,664 B2 * 3/2013 Lamps A61B 5/150412
606/181
D719,651 S * 12/2014 Hoffmann D24/133

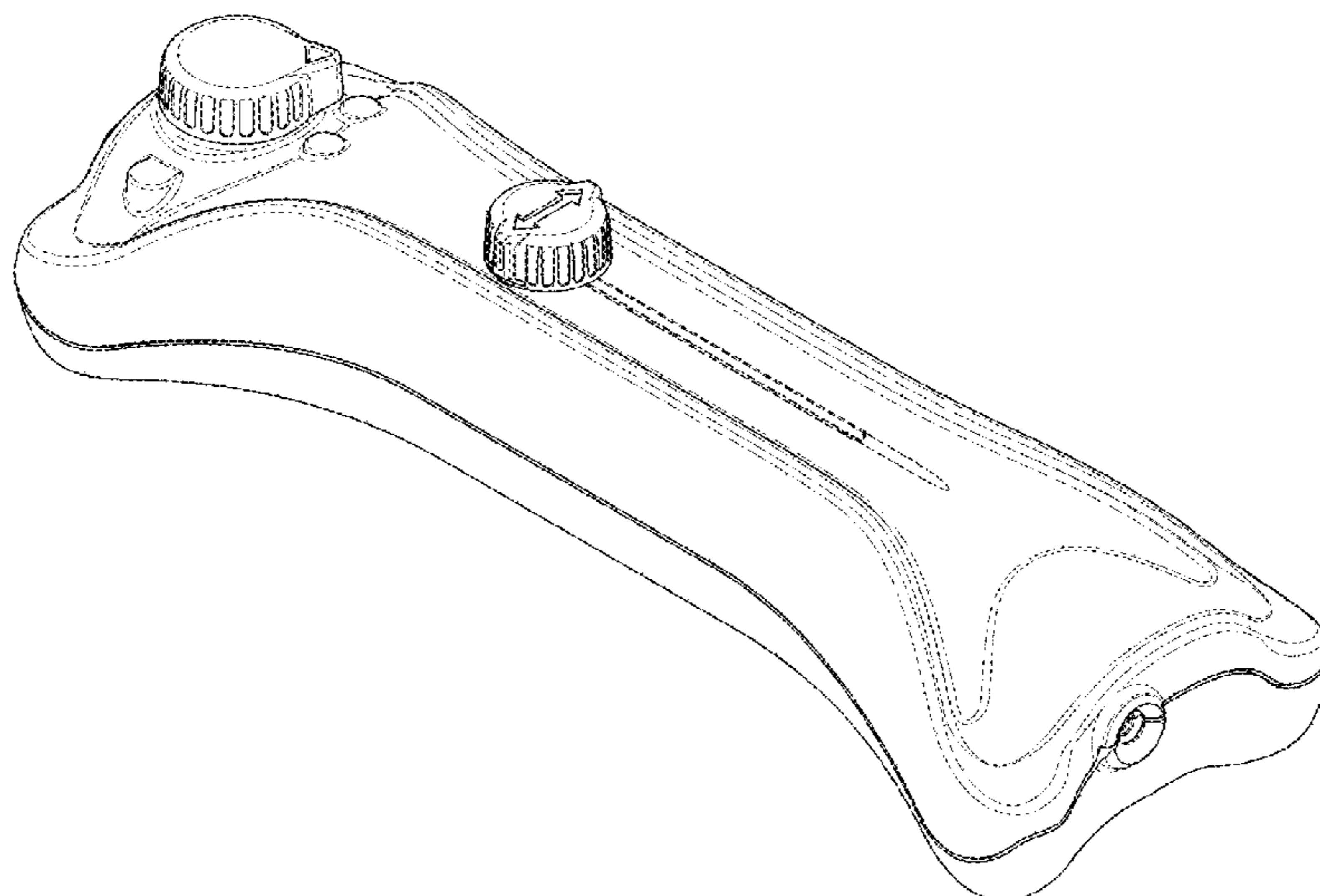
(57) **CLAIM**

What is claimed is the ornamental design for the catheter
handle, as shown and described.

DESCRIPTION

FIG. 1 is a front perspective view of a catheter handle;
FIG. 2 is a front view thereof;
FIG. 3 is a right side view thereof;
FIG. 4 is a top view thereof;
FIG. 5 is a rear view thereof;
FIG. 6 is a left side view thereof; and,
FIG. 7 is a bottom view thereof.
Throughout the drawings, features shown in broken lines
form no part of the claimed design.

1 Claim, 7 Drawing Sheets



(56)

References Cited

U.S. PATENT DOCUMENTS

2004/0243162 A1 12/2004 Wulfman et al.
2015/0073448 A1 3/2015 Rydberg

FOREIGN PATENT DOCUMENTS

WO 9850101 A1 11/1998
WO 9929240 A1 6/1999
WO 0232329 A2 4/2002
WO 2019/118522 A1 6/2019
WO 2019/135976 A1 7/2019
WO 2019/136009 A1 7/2019
WO 2019/140121 A1 7/2019
WO 2019/161140 A1 8/2019
WO 2019/168784 A1 9/2019
WO 2019/168862 A1 9/2019
WO 2019/199672 A1 10/2019
WO 2019/199981 A1 10/2019

OTHER PUBLICATIONS

Invitation to Pay Additional Fees with Communication Relating to the Results of the Partial International Search and Provisional Opinion Accompanying the Partial Search Result, Feb. 4, 2020, 20 pages, Europe.

* cited by examiner

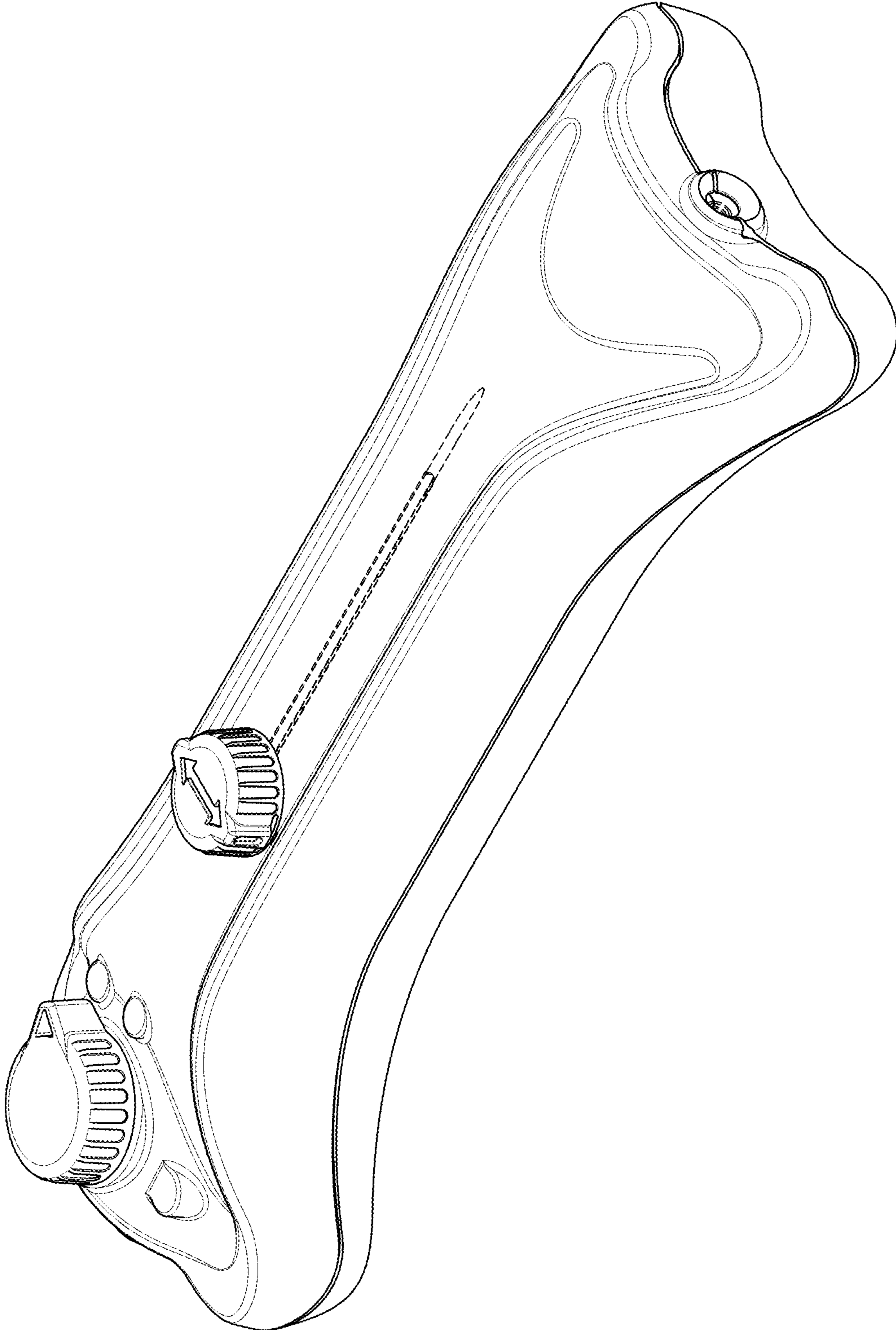


FIG. 1

FIG. 2

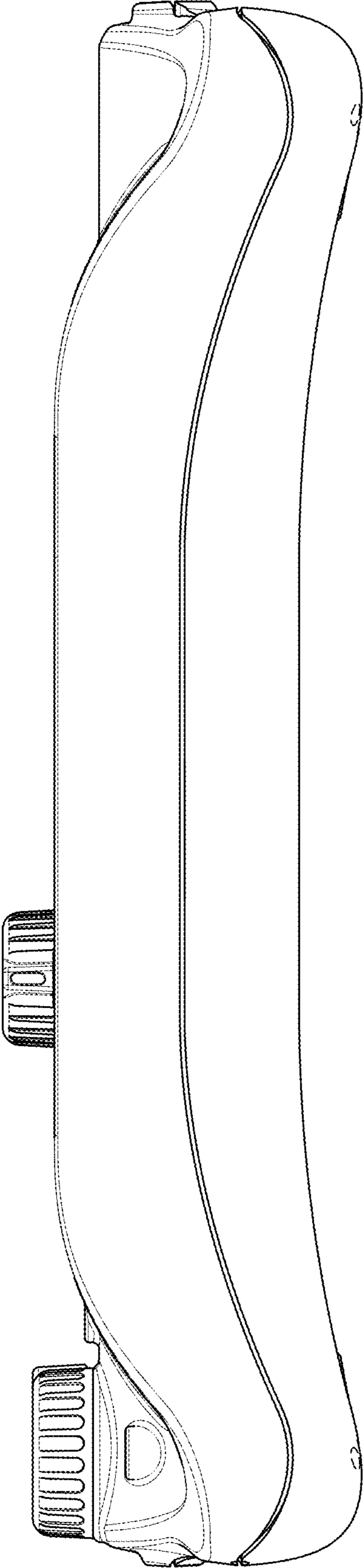


FIG. 3

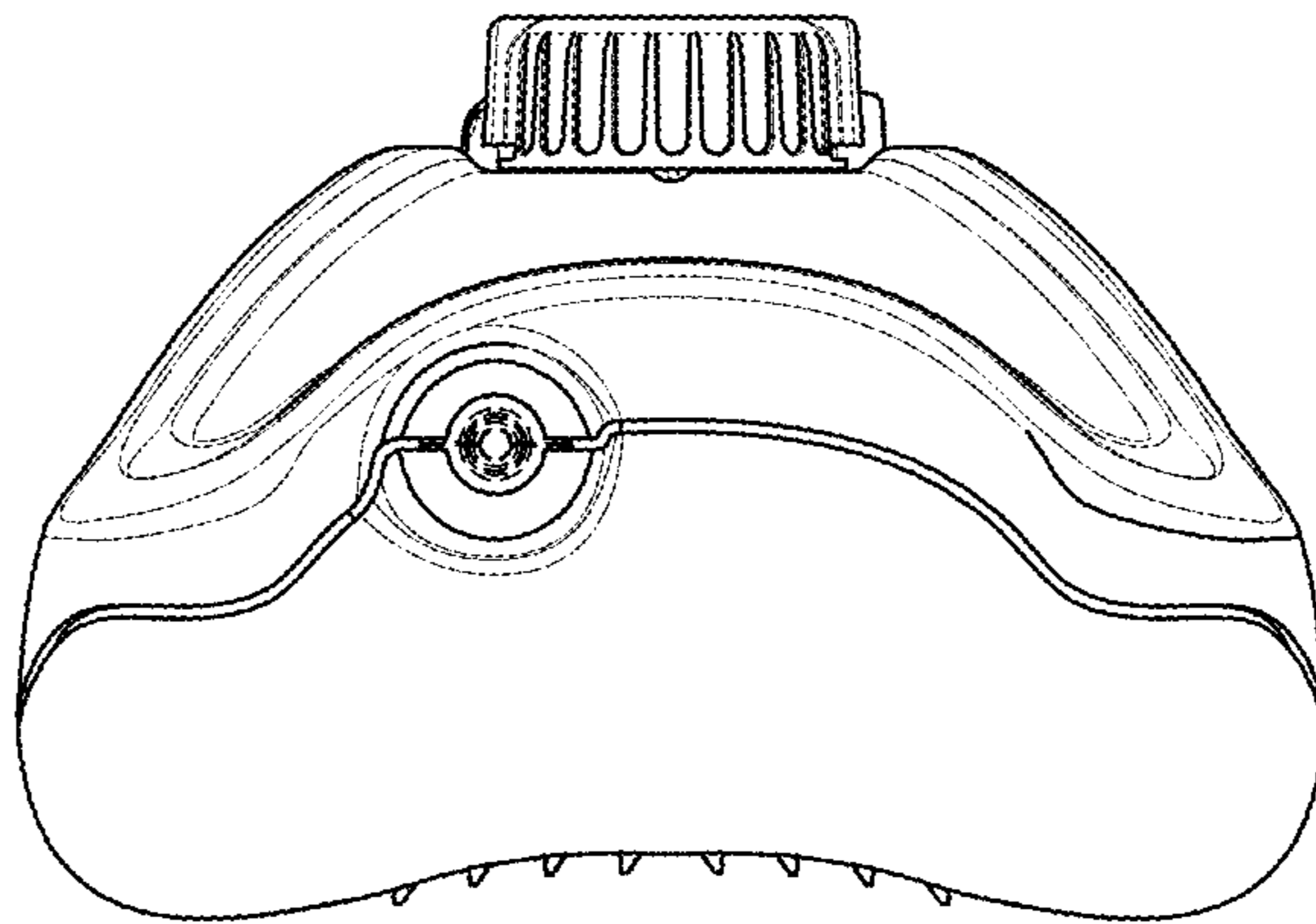


FIG. 4

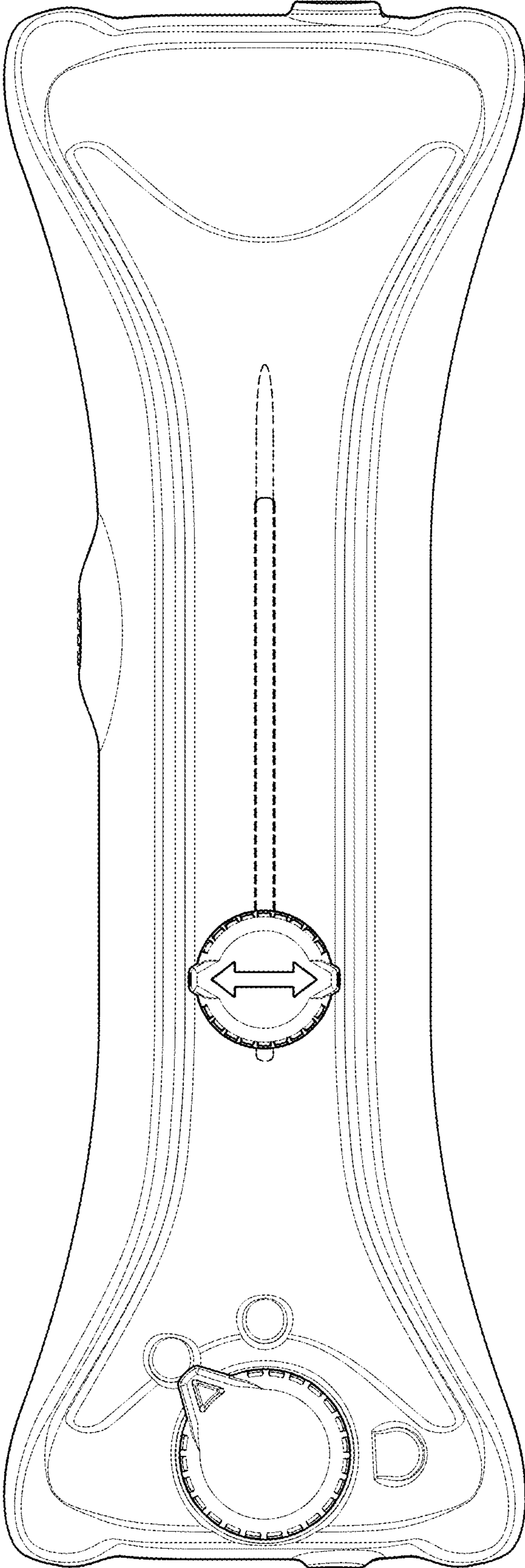


FIG. 5

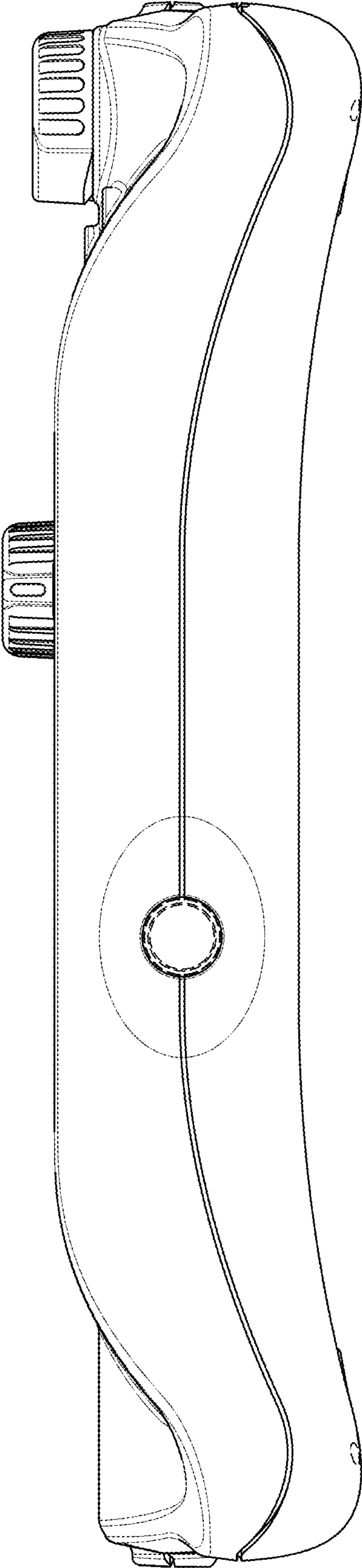
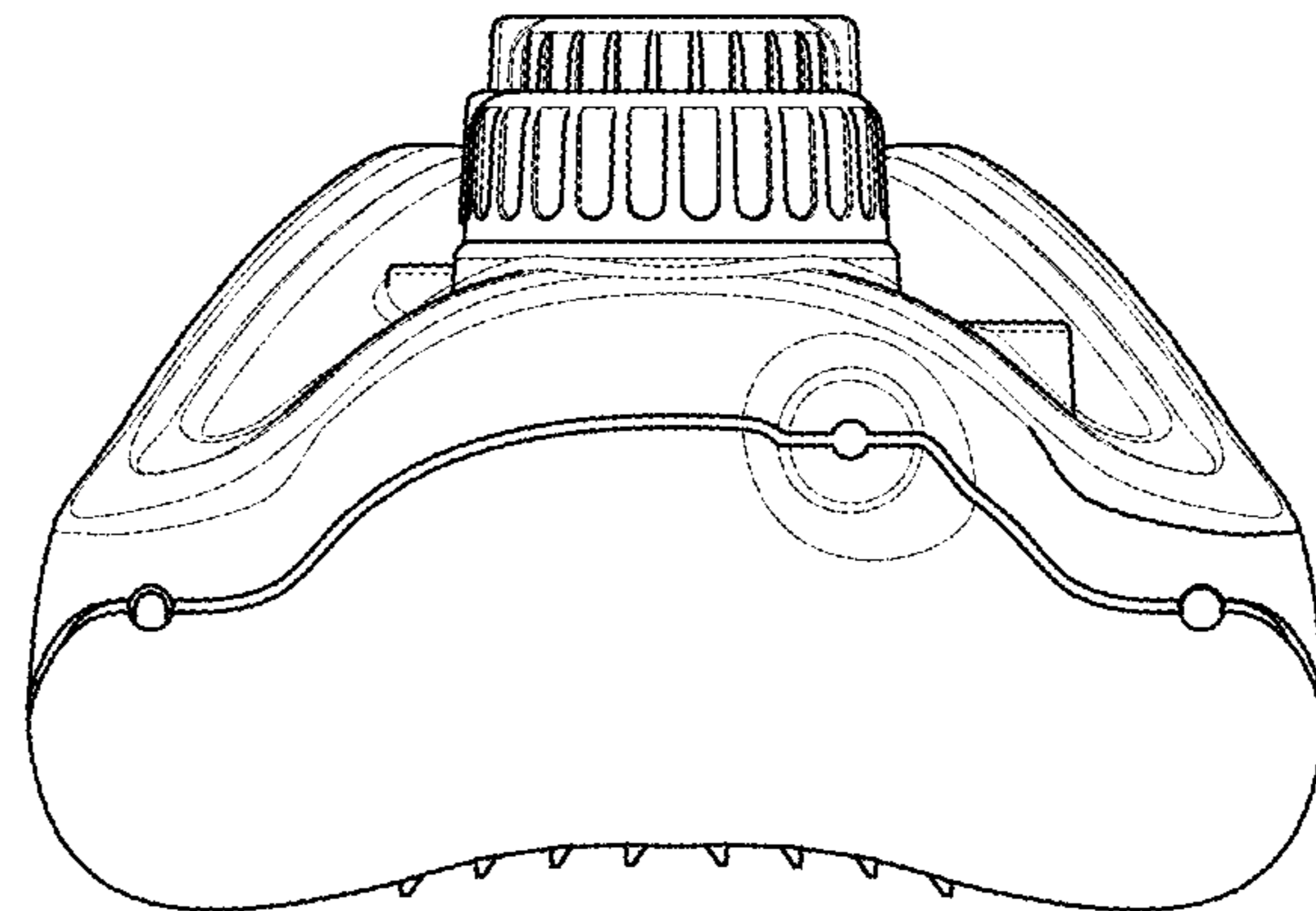


FIG. 6



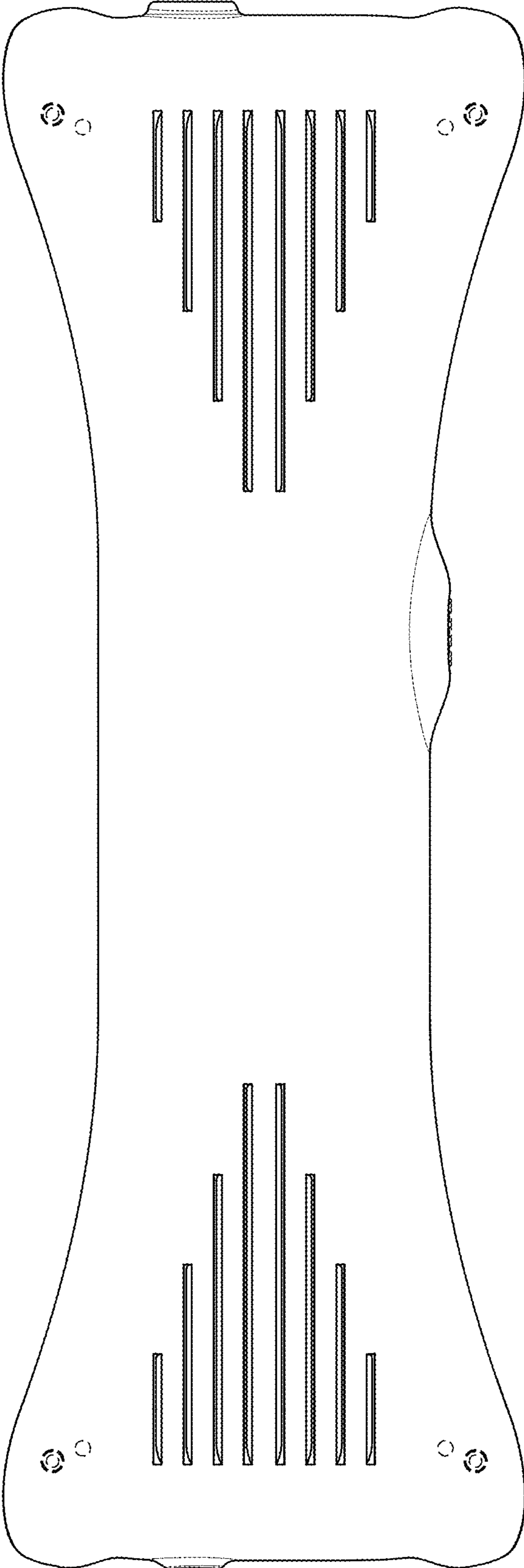


FIG. 7