



US00D988508S

(12) **United States Design Patent** (10) **Patent No.:** **US D988,508 S**  
**Rapp et al.** (45) **Date of Patent:** **\*\* Jun. 6, 2023**

- (54) **CAP FOR AN INJECTION DEVICE**
- (71) Applicant: **Sanofi-Aventis Deutschland GmbH**,  
Frankfurt am Main (DE)
- (72) Inventors: **Katrin Rapp**, Frankfurt am Main (DE);  
**Oliver Greven**, Frankfurt am Main  
(DE); **Marc Schader**, Frankfurt am  
Main (DE)
- (73) Assignee: **Sanofi-Aventis Deutschland GMBH**,  
Frankfurt am Main (DE)
- (\*\*) Term: **15 Years**
- (21) Appl. No.: **29/701,468**
- (22) Filed: **Aug. 12, 2019**

D650,857 S	12/2011	Lira-Nunez	
D697,205 S	1/2014	Schneider	
D708,317 S	7/2014	Schneider	
D731,051 S	6/2015	Olson	
D732,161 S	6/2015	Ohashi	
D757,255 S	5/2016	Wohlfahrt	
D758,567 S	6/2016	Wohlfahrt	
D758,569 S	6/2016	Wohlfahrt	
D773,648 S	12/2016	Wohlfahrt	
D789,528 S	6/2017	Wohlfahrt	
D793,547 S	8/2017	Burkett	
D861,799 S	10/2019	Rapp et al.	
D861,859 S	10/2019	Rapp et al.	
D926,967 S *	8/2021	Rogge .....	D24/113
D931,445 S *	9/2021	Jones .....	D24/130
D934,413 S *	10/2021	Nicholas .....	D24/113
D944,976 S *	3/2022	Bainton .....	D24/130
D946,141 S *	3/2022	Krulevitch .....	D24/113
D948,715 S *	4/2022	Hezkiahu .....	D24/130
D951,441 S *	5/2022	Murakami .....	D24/133
D952,835 S *	5/2022	Van Der Beek .....	D24/114
D953,526 S *	5/2022	Fournier .....	D24/130

**Related U.S. Application Data**

- (62) Division of application No. 29/595,799, filed on Mar. 2, 2017, now Pat. No. Des. 861,859.

*Primary Examiner* — David G Muller

(74) *Attorney, Agent, or Firm* — Fish & Richardson P.C.

(30) **Foreign Application Priority Data**

Sep. 7, 2016 (EM) ..... 003 368 687

(51) **LOC (14) Cl.** ..... **24-02**

(52) **U.S. Cl.**  
USPC ..... **D24/114**

(58) **Field of Classification Search**  
USPC ..... D24/112–114, 108, 133, 130, 127, 186  
CPC ..... A61M 5/178; A61M 3/00; A61M 5/20;  
A61M 5/31; A61M 5/3146; A61M  
5/3129; A61M 5/3148; A61M 5/315  
See application file for complete search history.

(56) **References Cited**

**U.S. PATENT DOCUMENTS**

- 6,575,939 B1 6/2003 Brunel
- D545,364 S 6/2007 Temovits

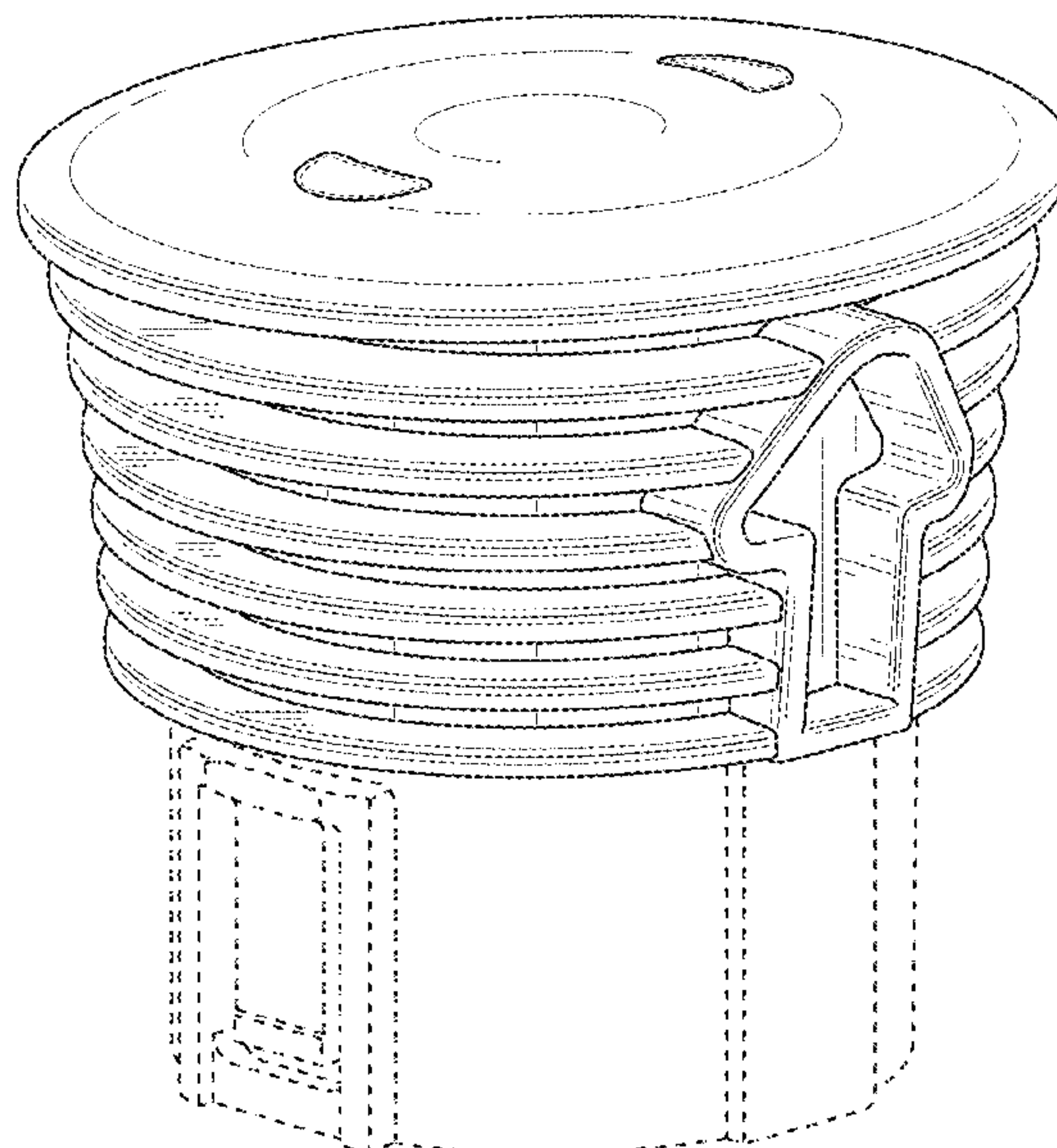
(57) **CLAIM**

The ornamental design for a cap for an injection device, as shown and described.

**DESCRIPTION**

FIG. 1 is a front top-left perspective view of a cap for an injection device;  
FIG. 2 is a front bottom-left perspective view thereof;  
FIG. 3 is a front view thereof;  
FIG. 4 is a back view thereof;  
FIG. 5 is a first side view thereof, with the opposite side view being the same;  
FIG. 6 is a top view thereof; and,  
FIG. 7 is a bottom view thereof.

**1 Claim, 7 Drawing Sheets**



(56)

**References Cited**

U.S. PATENT DOCUMENTS

D953,527 S *	5/2022	Fournier .....	D24/130
D956,211 S *	6/2022	Bourelle .....	D24/113
D956,212 S *	6/2022	Petersen .....	D24/113
D956,215 S *	6/2022	Krulevitch .....	D24/113

\* cited by examiner

FIG. 1

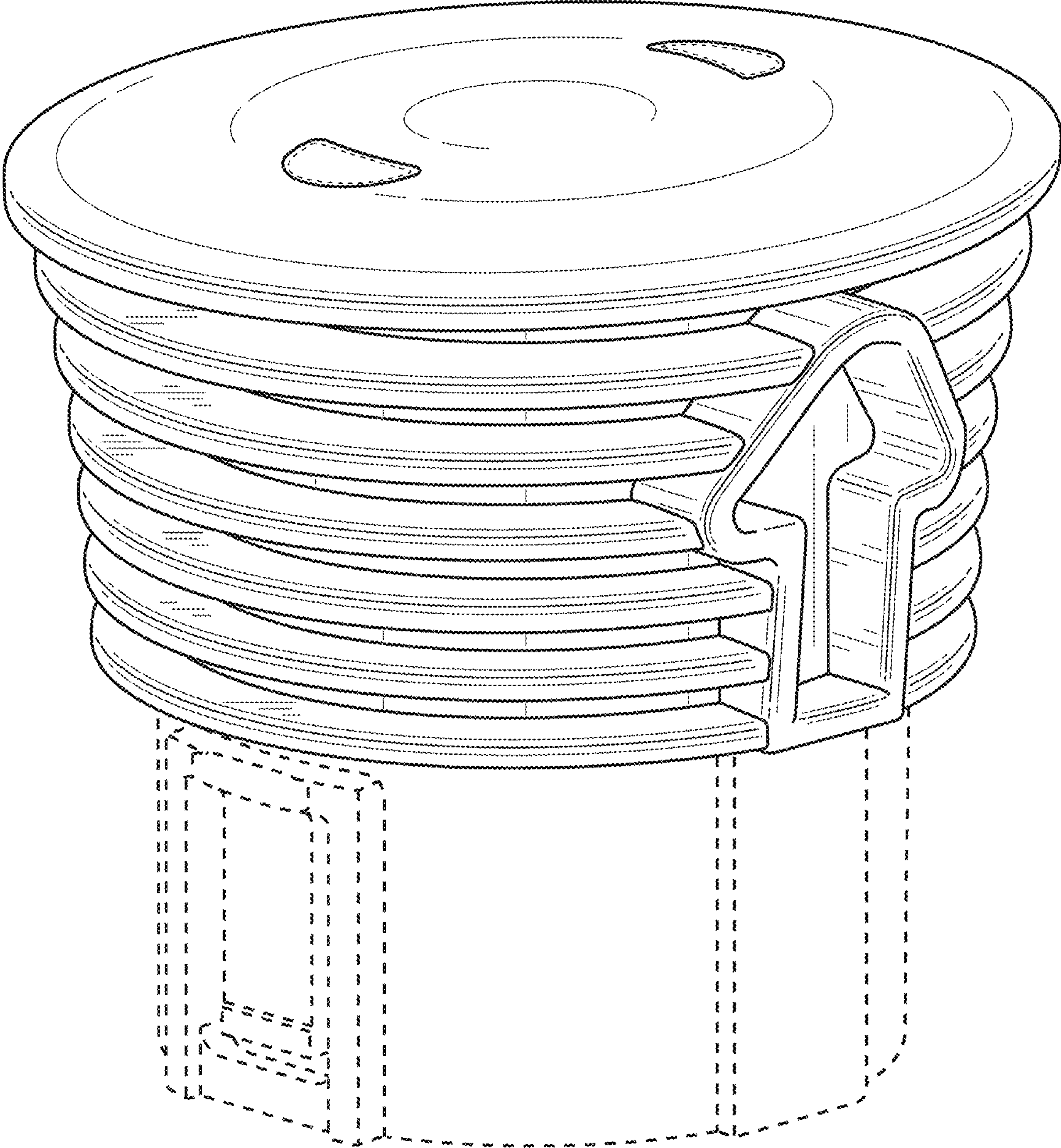




FIG. 2

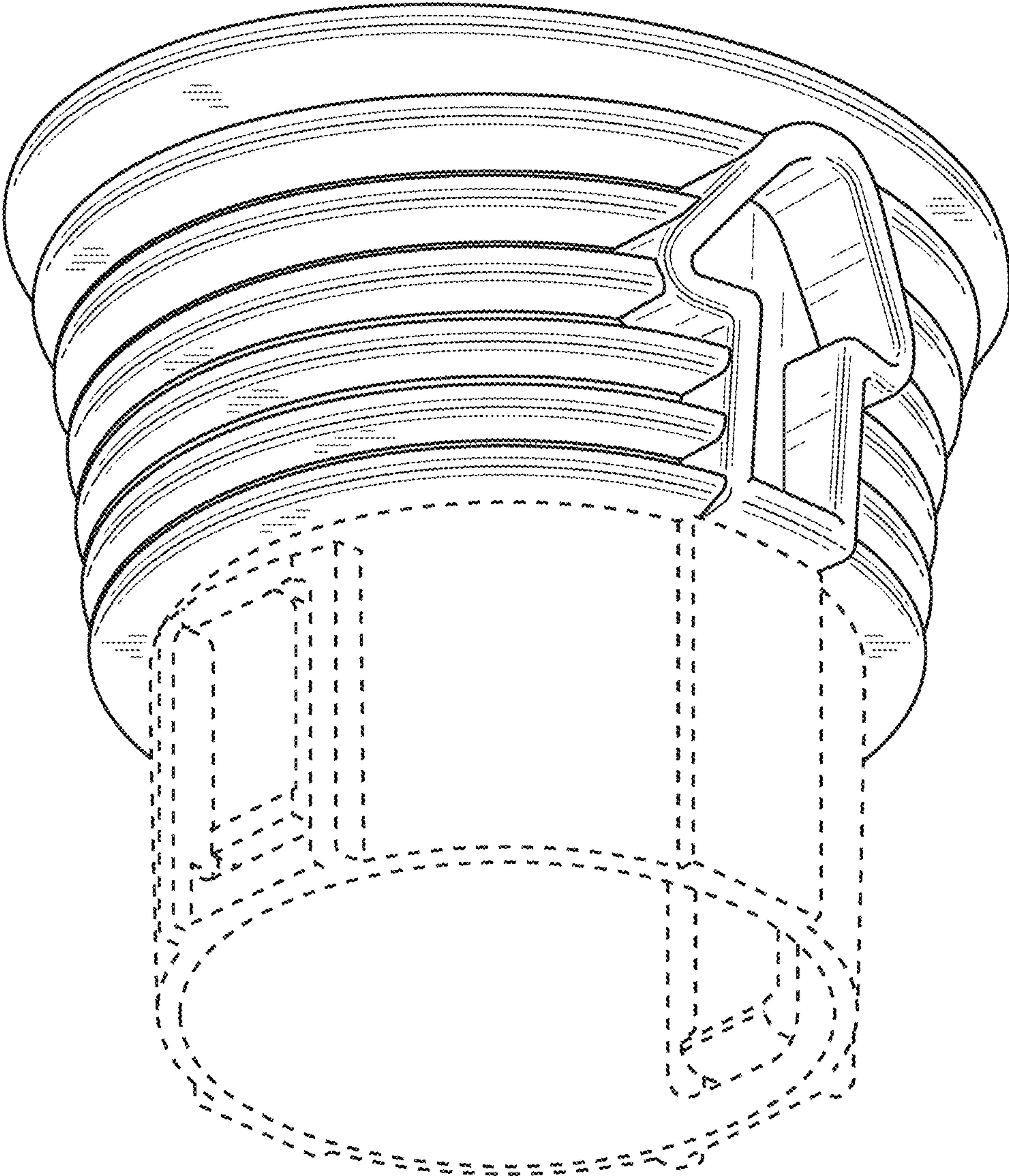


FIG. 3

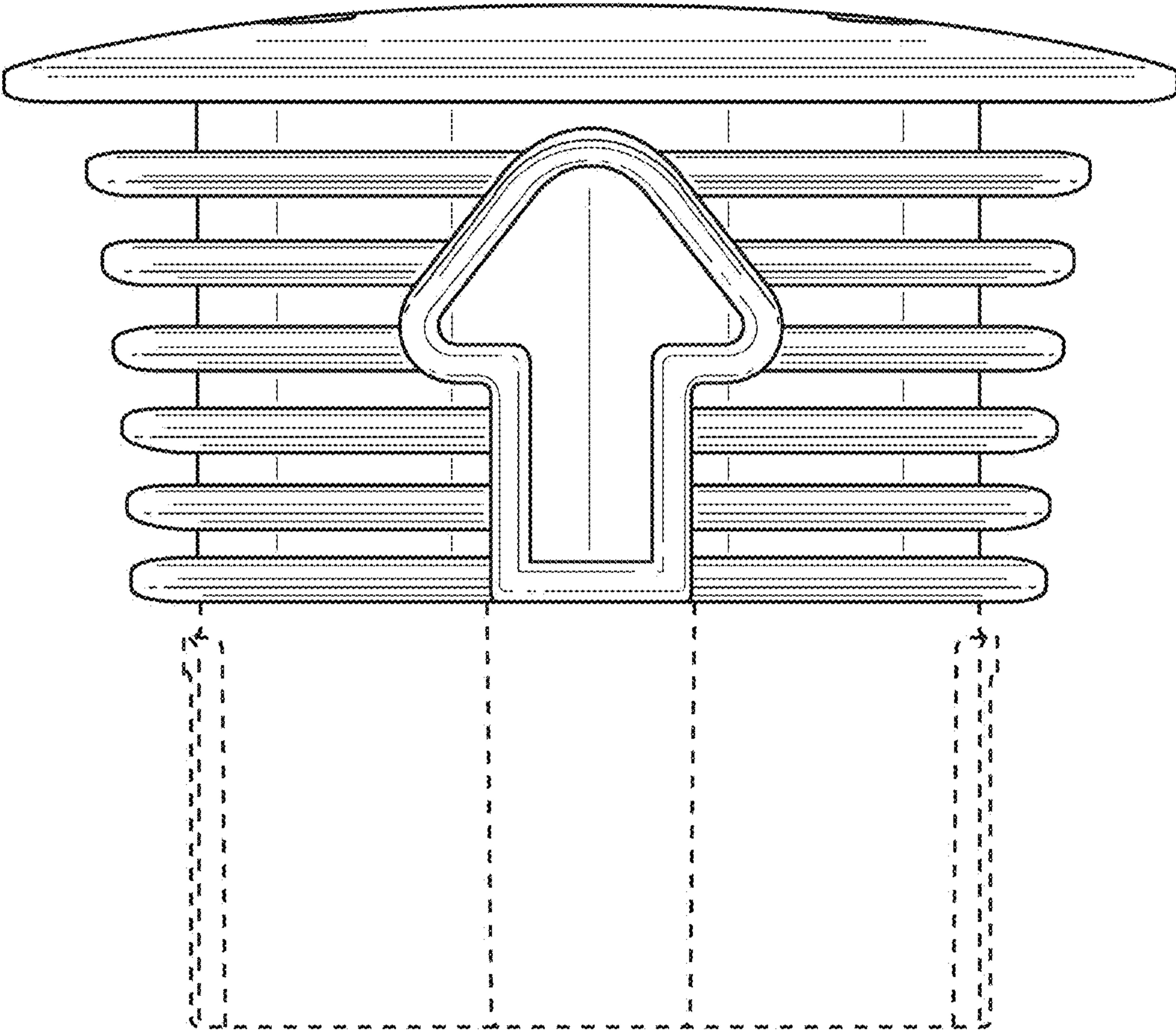


FIG. 4

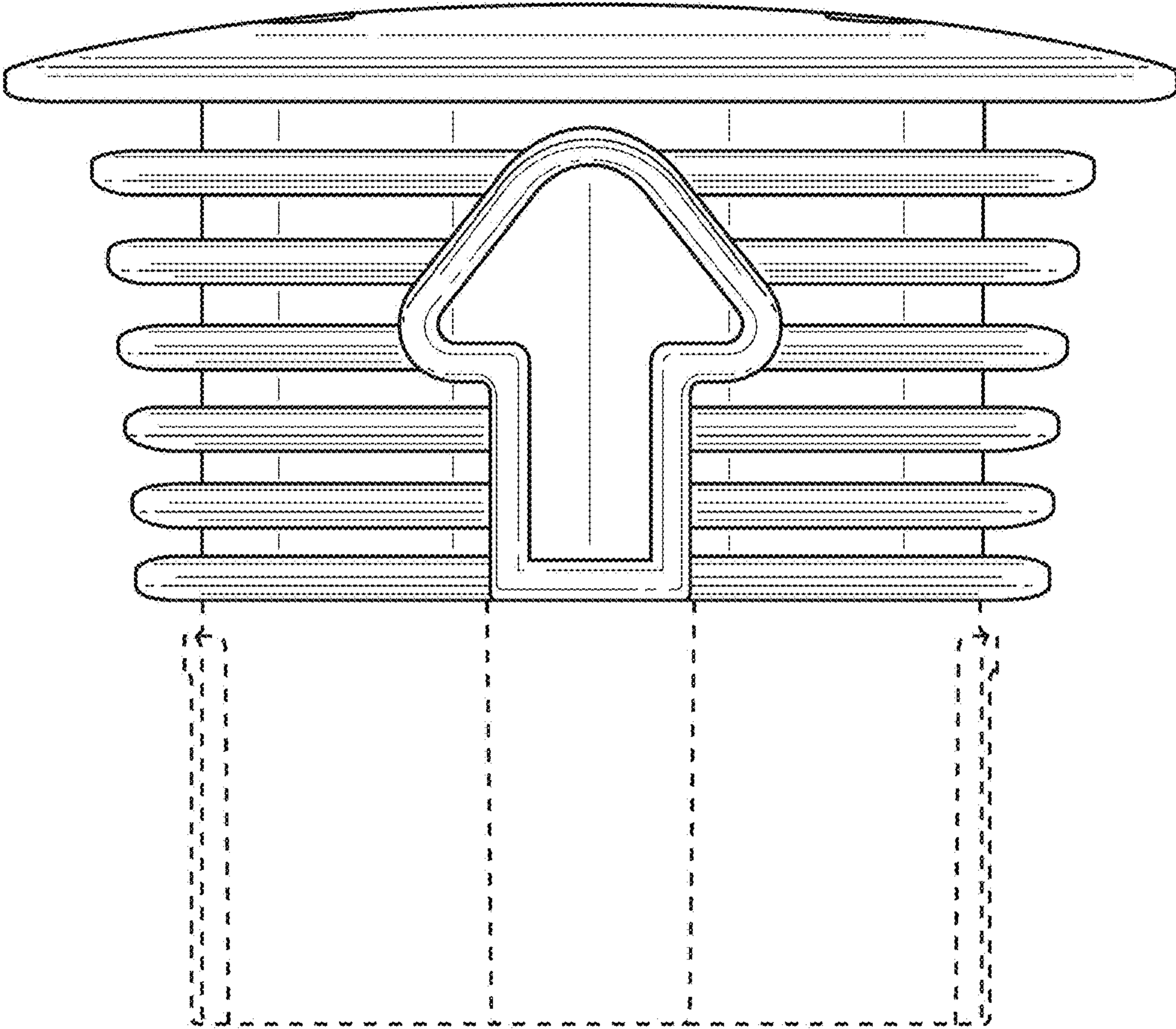


FIG. 5

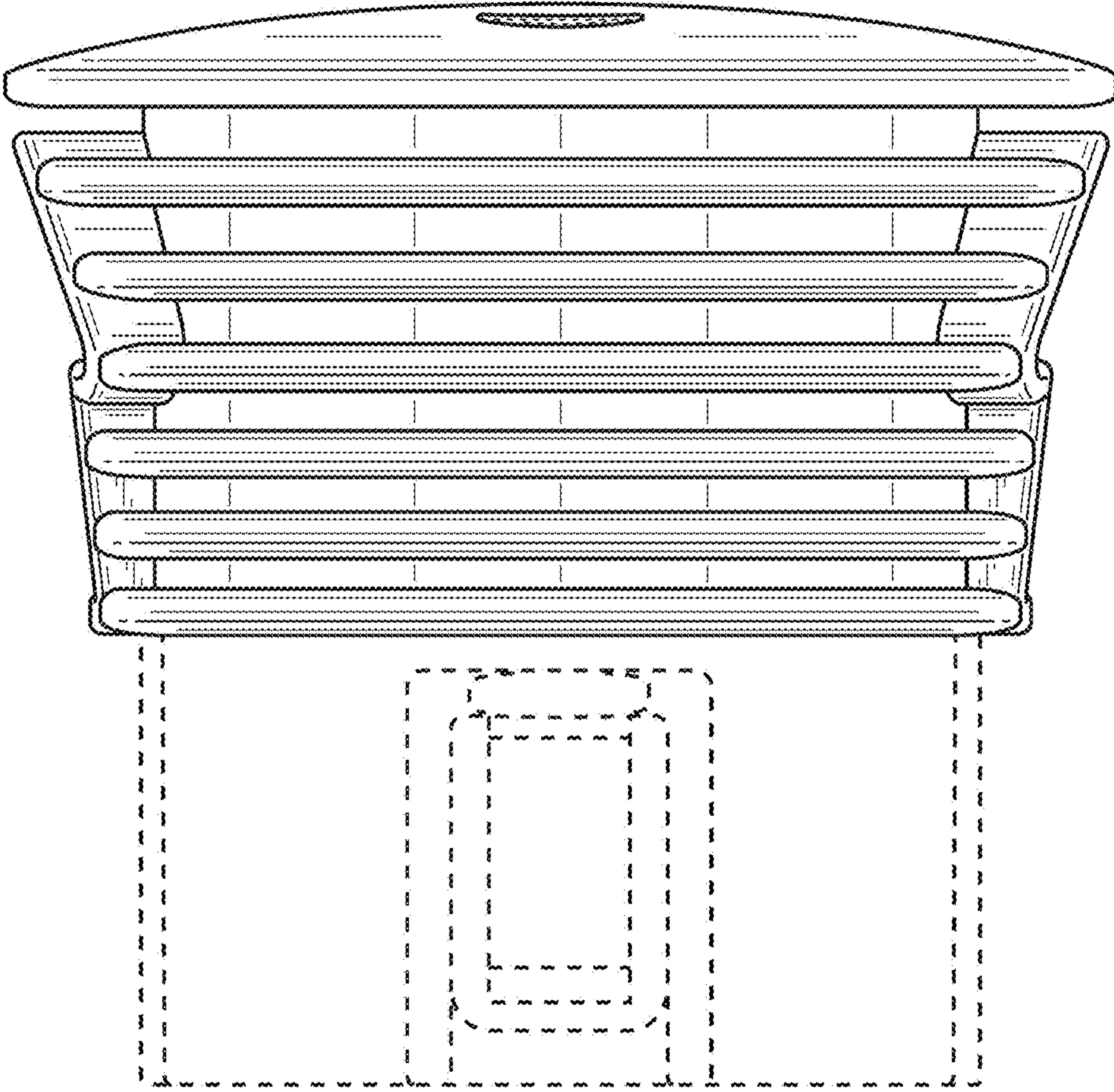




FIG. 6

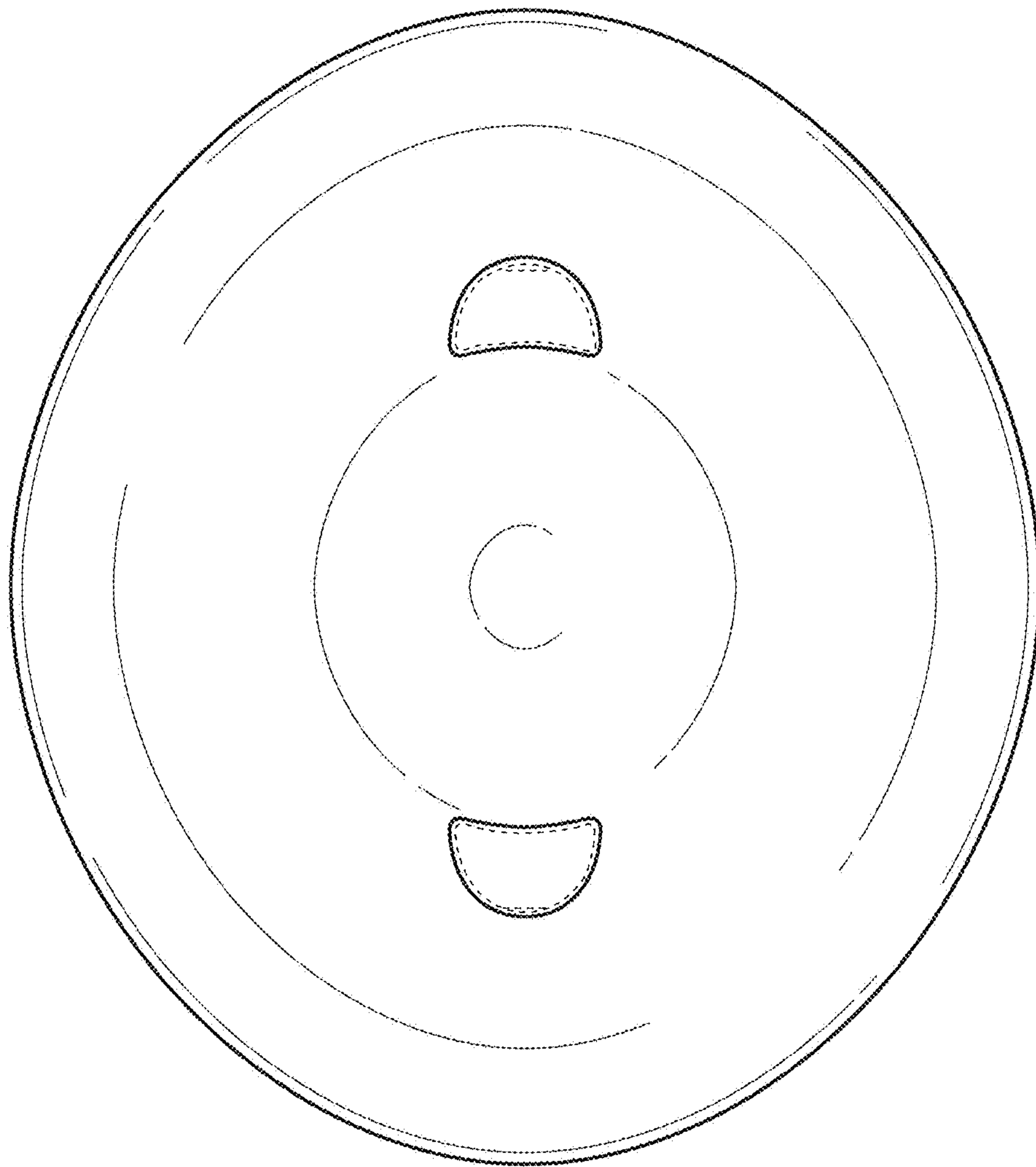




FIG. 7

