



US00D988507S

(12) **United States Design Patent** (10) **Patent No.:** **US D988,507 S**
Rogge et al. (45) **Date of Patent:** **** *Jun. 6, 2023**

(54) **MEDICAL INJECTION DEVICE**

(74) *Attorney, Agent, or Firm* — Fish & Richardson P.C.

(71) Applicant: **Sanofi**, Paris (FR)

(57) **CLAIM**

The ornamental design for a medical injection device, as shown and described.

(72) Inventors: **Christian Rogge**, Munich (DE); **Philipp Oster**, Munich (DE); **Carolin Frontzek**, Munich (DE); **Uwe Dasbach**, Frankfurt am Main (DE); **Alex Zuyev**, Frankfurt am Main (DE); **William Timmis**, Herts (GB)

DESCRIPTION

(73) Assignee: **Sanofi**, Paris (FR)

(*) Notice: This patent is subject to a terminal disclaimer.

(**) Term: **15 Years**

FIG. 1 is a perspective view of a first embodiment of the medical injection device.
FIG. 2 is a front view thereof.
FIG. 3 is a back view thereof.
FIG. 4 is a left side view thereof.
FIG. 5 is a right side view thereof.
FIG. 6 is a top view thereof.
FIG. 7 is a bottom view thereof.
FIG. 8 is a perspective view of another embodiment of the medical injection device.
FIG. 9 is a front view thereof.
FIG. 10 is a back view thereof.
FIG. 11 is a left side view thereof.
FIG. 12 is a right side view thereof.
FIG. 13 is a top view thereof.
FIG. 14 is a bottom view thereof.
FIG. 15 is a perspective view of another embodiment of the medical injection device.
FIG. 16 is a front view thereof.
FIG. 17 is a back view thereof.
FIG. 18 is a left side view thereof.
FIG. 19 is a right side view thereof.
FIG. 20 is a top view thereof.
FIG. 21 is a bottom view thereof.
FIG. 22 is a perspective view of another embodiment of the medical injection device.
FIG. 23 is a front view thereof.
FIG. 24 is a back view thereof.
FIG. 25 is a left side view thereof.
FIG. 26 is a right side view thereof.
FIG. 27 is a top view thereof.
FIG. 28 is a bottom view thereof.
FIG. 29 is a perspective view of another embodiment of the medical injection device.
FIG. 30 is a front view thereof.

(21) Appl. No.: **29/739,237**

(22) Filed: **Jun. 23, 2020**

(30) **Foreign Application Priority Data**

Dec. 23, 2019 (EM) 007448238-001
Dec. 23, 2019 (EM) 007448238-002

(Continued)

(51) **LOC (14) Cl.** **24-02**

(52) **U.S. Cl.**
USPC **D24/113**

(58) **Field of Classification Search**
USPC D24/108, 112–114, 117, 127, 130, 133,
D24/146, 147, 186

(Continued)

(56) **References Cited**

U.S. PATENT DOCUMENTS

D324,423 S * 3/1992 Ahlstrand D24/114
D683,016 S * 5/2013 Mirza D24/112

(Continued)

Primary Examiner — Jonathan J Han
Assistant Examiner — Amanda J Berlinski

(Continued)

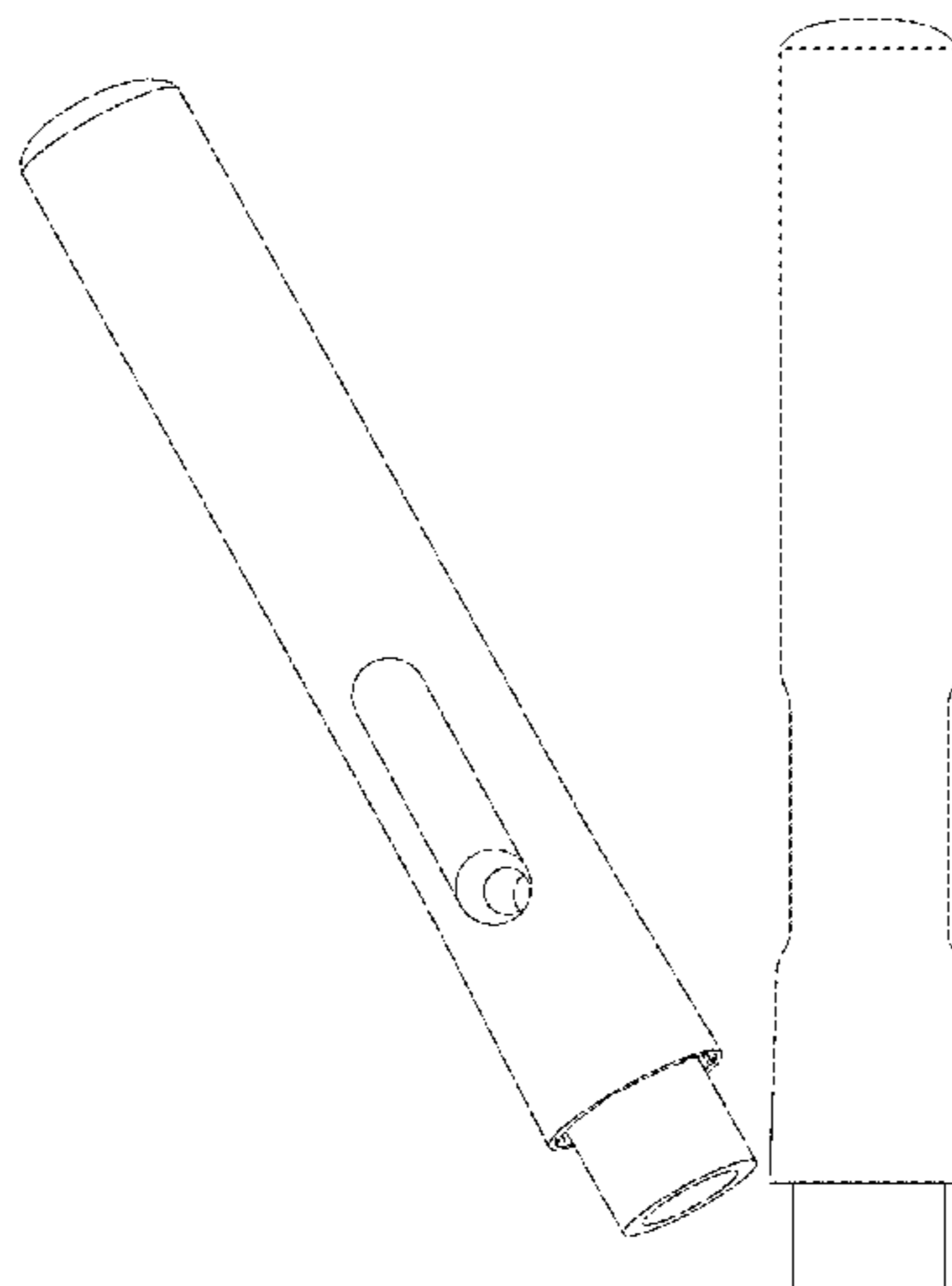


FIG. 31 is a back view thereof.
FIG. 32 is a left side view thereof.
FIG. 33 is a right side view thereof.
FIG. 34 is a top view thereof.
FIG. 35 is a bottom view thereof.
FIG. 36 is a perspective view of another embodiment of the medical injection device.
FIG. 37 is a front view thereof.
FIG. 38 is a back view thereof.
FIG. 39 is a left side view thereof.
FIG. 40 is a right side view thereof.
FIG. 41 is a top view thereof.
FIG. 42 is a bottom view thereof.
FIG. 43 is a perspective view of another embodiment of the medical injection device.
FIG. 44 is a front view thereof.
FIG. 45 is a back view thereof.
FIG. 46 is a left side view thereof.
FIG. 47 is a right side view thereof.
FIG. 48 is a top view thereof.
FIG. 49 is a bottom view thereof.
FIG. 50 is a perspective view of another embodiment of the medical injection device.
FIG. 51 is a front view thereof.
FIG. 52 is a back view thereof.
FIG. 53 is a left side view thereof.
FIG. 54 is a right side view thereof.
FIG. 55 is a top view thereof.
FIG. 56 is a bottom view thereof.
FIG. 57 is a perspective view of another embodiment of the medical injection device.
FIG. 58 is a front view thereof.
FIG. 59 is a back view thereof.
FIG. 60 is a left side view thereof.
FIG. 61 is a right side view thereof.
FIG. 62 is a top view thereof.
FIG. 63 is a bottom view thereof.
FIG. 64 is a perspective view of another embodiment of the medical injection device.
FIG. 65 is a front view thereof.
FIG. 66 is a back view thereof.
FIG. 67 is a left side view thereof.
FIG. 68 is a right side view thereof.
FIG. 69 is a top view thereof.
FIG. 70 is a bottom view thereof.
FIG. 71 is a perspective view of another embodiment of the medical injection device.
FIG. 72 is a front view thereof.
FIG. 73 is a back view thereof.
FIG. 74 is a left side view thereof.
FIG. 75 is a right side view thereof.
FIG. 76 is a top view thereof.
FIG. 77 is a bottom view thereof.
FIG. 78 is a perspective view of another embodiment of the medical injection device.
FIG. 79 is a front view thereof.
FIG. 80 is a back view thereof.
FIG. 81 is a left side view thereof.
FIG. 82 is a right side view thereof.
FIG. 83 is a top view thereof.
FIG. 84 is a bottom view thereof.
FIG. 85 is a perspective view of another embodiment of the medical injection device.
FIG. 86 is a front view thereof.
FIG. 87 is a back view thereof.
FIG. 88 is a left side view thereof.
FIG. 89 is a right side view thereof.
FIG. 90 is a top view thereof.
FIG. 91 is a bottom view thereof.
FIG. 92 is a perspective view of another embodiment of the medical injection device.
FIG. 93 is a front view thereof.
FIG. 94 is a back view thereof.
FIG. 95 is a left side view thereof.
FIG. 96 is a right side view thereof.
FIG. 97 is a top view thereof.
FIG. 98 is a bottom view thereof.
FIG. 99 is a perspective view of another embodiment of the medical injection device.
FIG. 100 is a front view thereof.
FIG. 101 is a back view thereof.
FIG. 102 is a left side view thereof.
FIG. 103 is a right side view thereof.
FIG. 104 is a top view thereof.
FIG. 105 is a bottom view thereof.
FIG. 106 is a perspective view of another embodiment of the medical injection device.
FIG. 107 is a front view thereof.
FIG. 108 is a back view thereof.
FIG. 109 is a left side view thereof.
FIG. 110 is a right side view thereof.
FIG. 111 is a top view thereof.
FIG. 112 is a bottom view thereof.
FIG. 113 is a perspective view of another embodiment of the medical injection device.
FIG. 114 is a front view thereof.
FIG. 115 is a back view thereof.
FIG. 116 is a left side view thereof.
FIG. 117 is a right side view thereof.
FIG. 118 is a top view thereof.
FIG. 119 is a bottom view thereof.
FIG. 120 is a perspective view of another embodiment of the medical injection device.
FIG. 121 is a front view thereof.
FIG. 122 is a back view thereof.
FIG. 123 is a left side view thereof.
FIG. 124 is a right side view thereof.
FIG. 125 is a top view thereof.
FIG. 126 is a bottom view thereof.
FIG. 127 is a perspective view of another embodiment of the medical injection device.
FIG. 128 is a front view thereof.
FIG. 129 is a back view thereof.
FIG. 130 is a left side view thereof.
FIG. 131 is a right side view thereof.
FIG. 132 is a top view thereof.
FIG. 133 is a bottom view thereof.
FIG. 134 is a perspective view of another embodiment of the medical injection device.
FIG. 135 is a front view thereof.
FIG. 136 is a back view thereof.
FIG. 137 is a left side view thereof.
FIG. 138 is a right side view thereof.
FIG. 139 is a top view thereof.
FIG. 140 is a bottom view thereof.
FIG. 141 is a perspective view of another embodiment of the medical injection device.
FIG. 142 is a front view thereof.
FIG. 143 is a back view thereof.

FIG. 144 is a left side view thereof.
 FIG. 145 is a right side view thereof.
 FIG. 146 is a top view thereof.
 FIG. 147 is a bottom view thereof.
 FIG. 148 is a perspective view of another embodiment of the medical injection device.
 FIG. 149 is a front view thereof.
 FIG. 150 is a back view thereof.
 FIG. 151 is a left side view thereof.
 FIG. 152 is a right side view thereof.
 FIG. 153 is a top view thereof; and,
 FIG. 154 is a bottom view thereof.
 The broken lines in the drawings define the bounds of the claimed design and form no part thereof. The broken lines in the bottom views remove the visual appearance of a bottom plane, and cannot be seen in the perspective views.
 The broken lines illustrate environmental features that form no part of the claimed design.

1 Claim, 88 Drawing Sheets

(30) **Foreign Application Priority Data**

Dec. 23, 2019	(EM)	007448238-003
Dec. 23, 2019	(EM)	007448238-004
Dec. 23, 2019	(EM)	007448238-005
Dec. 23, 2019	(EM)	007448238-006
Dec. 23, 2019	(EM)	007448238-007
Dec. 23, 2019	(EM)	007448238-008
Dec. 23, 2019	(EM)	007448238-009
Dec. 23, 2019	(EM)	007448238-010
Dec. 23, 2019	(EM)	007448238-011
Dec. 23, 2019	(EM)	007448238-012
Dec. 23, 2019	(EM)	007448238-013
Dec. 23, 2019	(EM)	007448238-014
Dec. 23, 2019	(EM)	007448238-015
Dec. 23, 2019	(EM)	007448238-016
Dec. 23, 2019	(EM)	007448238-017
Dec. 23, 2019	(EM)	007448238-018
Dec. 23, 2019	(EM)	007448238-019
Dec. 23, 2019	(EM)	007448238-020
Dec. 23, 2019	(EM)	007448238-021
Dec. 23, 2019	(EM)	007448238-022

(58) **Field of Classification Search**

CPC A61M 5/00; A61M 5/178; A61M 5/20;
 A61M 5/24; A61M 5/2033; A61M

2005/2026; A61M 2005/206; A61M
 2005/208; A61M 2005/2013

See application file for complete search history.

(56)

References Cited

U.S. PATENT DOCUMENTS

D696,774	S *	12/2013	Guarraia	D24/113
D697,205	S *	1/2014	Schneider	D24/113
D757,254	S *	5/2016	Wohlfahrt	D24/113
D757,255	S *	5/2016	Wohlfahrt	D24/113
D758,567	S *	6/2016	Wohlfahrt	D24/113
D758,568	S *	6/2016	Wohlfahrt	D24/113
D758,569	S *	6/2016	Wohlfahrt	D24/113
D758,570	S *	6/2016	Wohlfahrt	D24/113
D765,239	S *	8/2016	Hauck	D24/113
D810,281	S *	2/2018	Holmqvist	A61M 5/20 D24/112
D827,128	S *	8/2018	Boyaval	D24/117
D861,859	S *	10/2019	Rapp	D24/113
D866,751	S *	11/2019	Rogge	D24/113
D866,752	S *	11/2019	Rogge	D24/113
D868,961	S *	12/2019	Stewart	D24/112
10,646,659	B2 *	5/2020	Huthmacher	A61M 5/3204
D892,312	S *	8/2020	Nicholas	D24/113
D902,393	S *	11/2020	Cannamela	D24/114
D908,868	S *	1/2021	Rogge	D24/113
D934,413	S *	10/2021	Nicholas	D24/113
D951,441	S *	5/2022	Murakami	D24/133
2011/0098658	A1 *	4/2011	Enggaard	A61M 5/3155 604/207
2013/0116625	A1 *	5/2013	Holmqvist	A61M 5/31578 604/197
2013/0144218	A1 *	6/2013	Daniel	A61M 5/2466 604/192
2013/0211330	A1 *	8/2013	Pedersen	A61M 5/5086 604/111
2015/0190590	A1 *	7/2015	Richter	A61M 5/322 604/111
2016/0263325	A1 *	9/2016	Huthmacher	A61M 5/2033
2017/0136189	A1 *	5/2017	Tschirren	A61M 5/3204
2017/0165428	A1 *	6/2017	Säll	A61M 5/3202
2017/0173264	A1 *	6/2017	Bendek	A61M 5/2033
2017/0312440	A1 *	11/2017	Carpenter	A61M 5/31511
2017/0354789	A1 *	12/2017	Bendek	A61M 5/3204
2018/0140774	A1 *	5/2018	Constantineau	A61M 5/31596
2018/0296768	A1 *	10/2018	Gould	A61M 5/2033
2019/0240409	A1 *	8/2019	Holmqvist	A61M 5/3129
2019/0262540	A1 *	8/2019	Revellat	A61M 5/20
2019/0374717	A1 *	12/2019	Swanson	A61M 5/2033
2020/0155769	A1 *	5/2020	Dugand	A61M 5/3204
2020/0238010	A1 *	7/2020	Dugand	A61M 5/3153
2021/0023301	A1 *	1/2021	Holroyd	A61M 5/3204
2021/0077737	A1 *	3/2021	Holmqvist	A61M 5/19
2021/0146057	A1 *	5/2021	King	A61M 5/2033
2022/0001113	A1 *	1/2022	Klötzli	A61M 5/20
2022/0016346	A1 *	1/2022	Miley	A61M 5/34

* cited by examiner

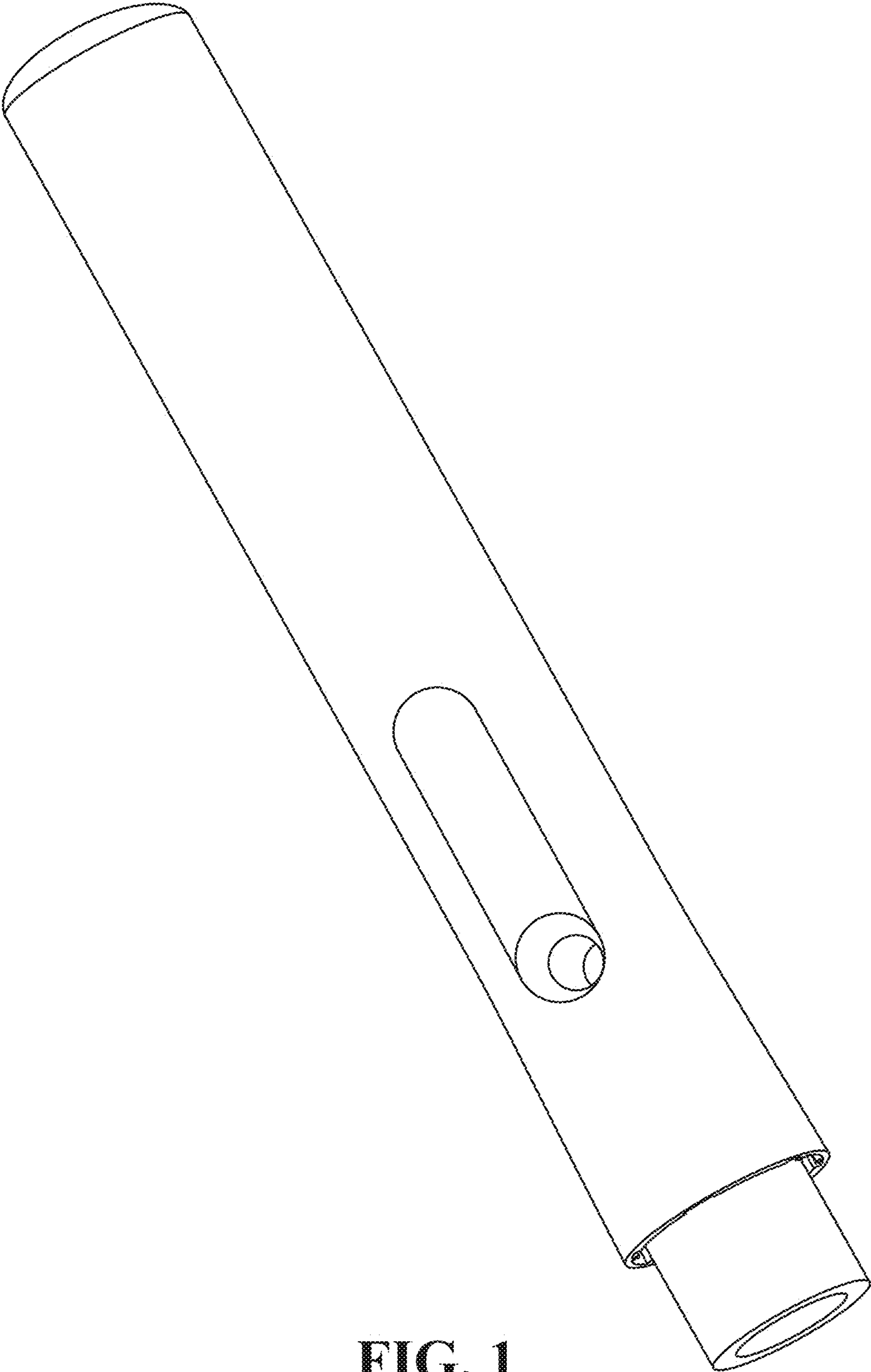


FIG. 1

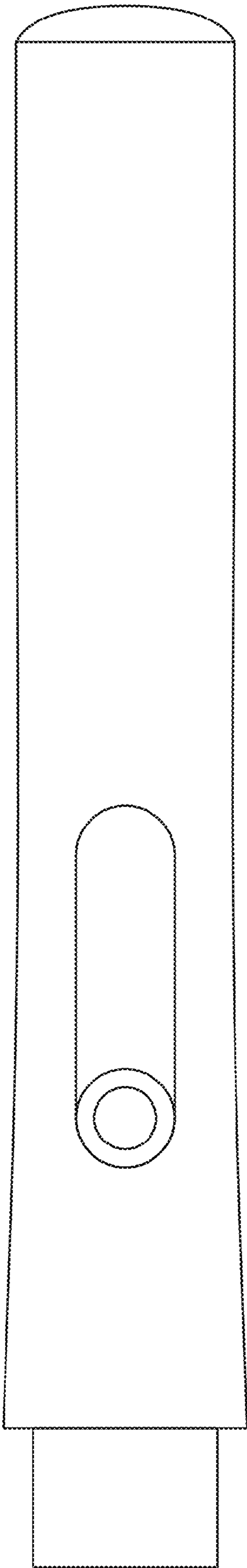


FIG. 2

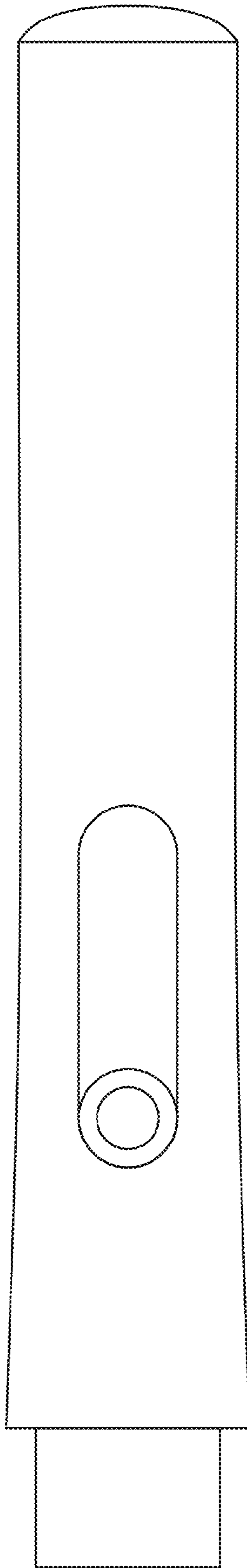


FIG. 3

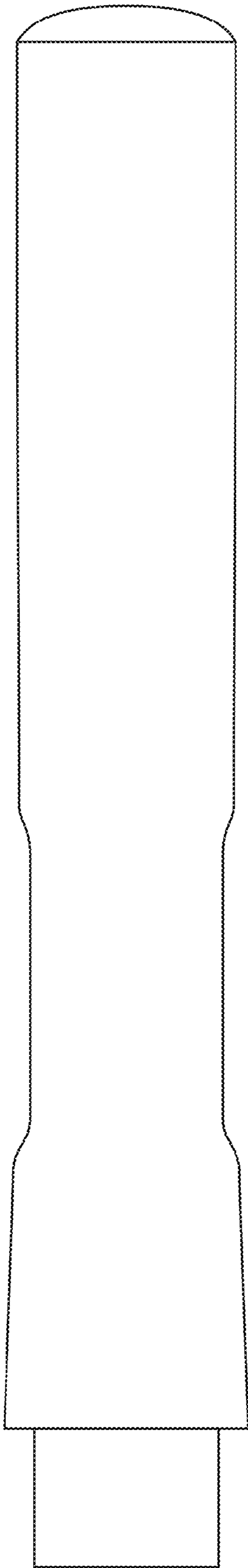


FIG. 5

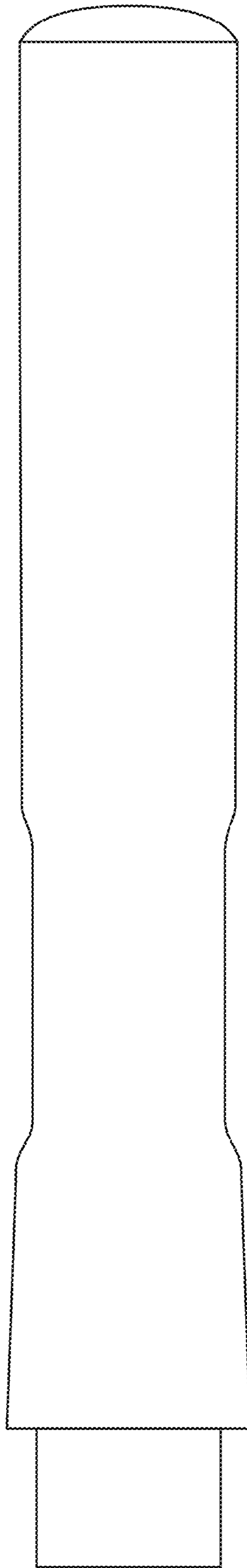


FIG. 4

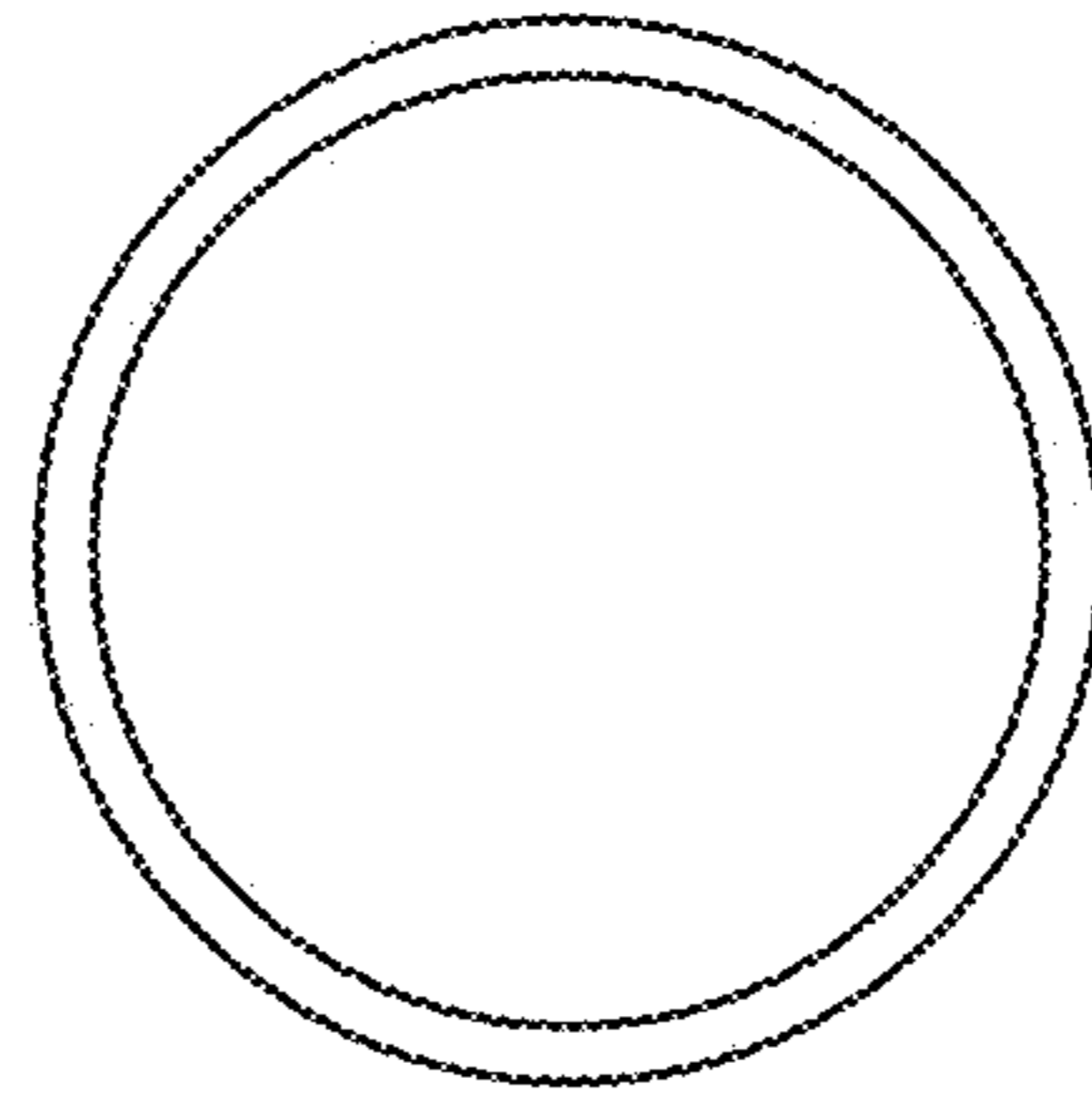


FIG. 6

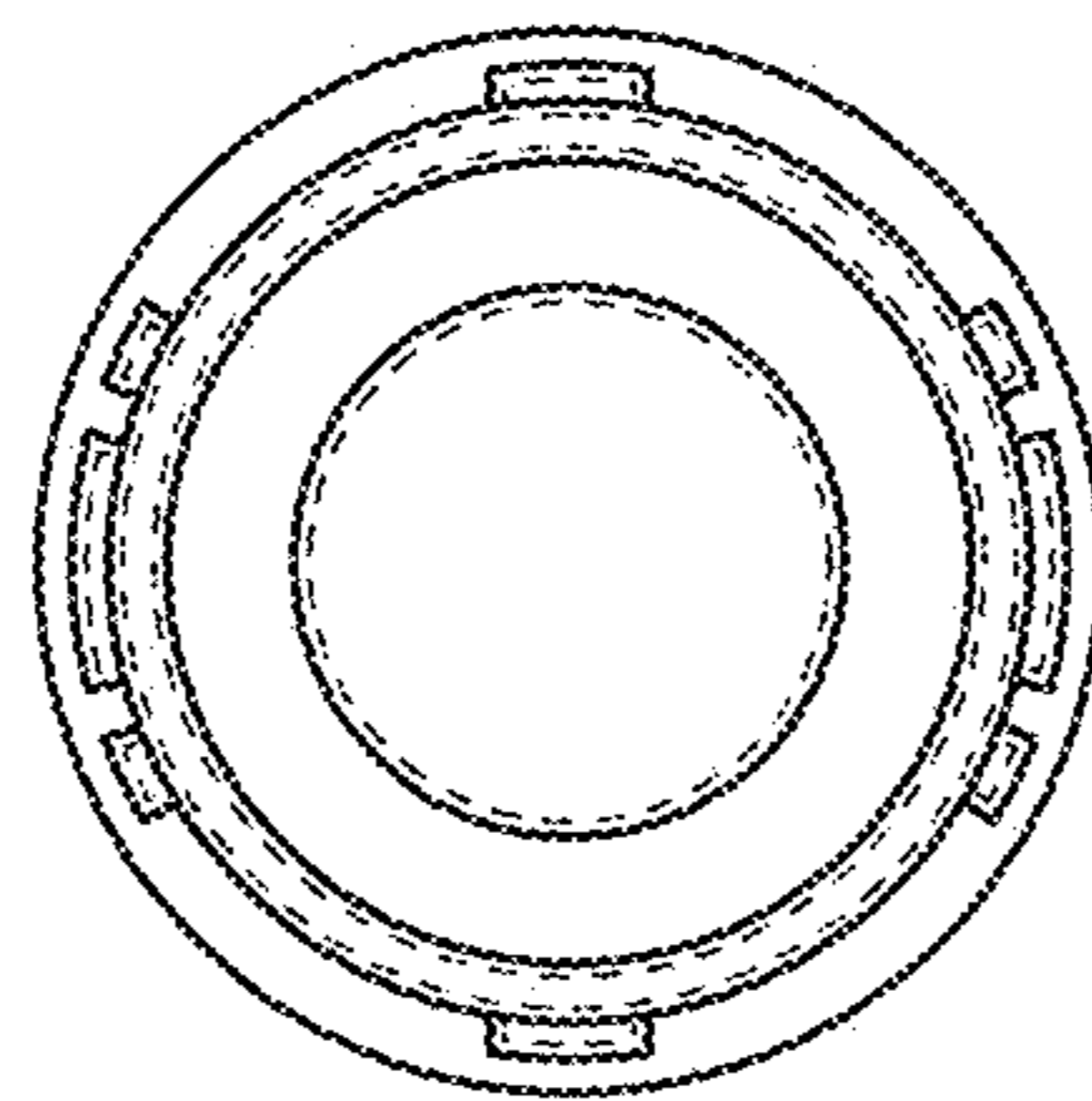


FIG. 7

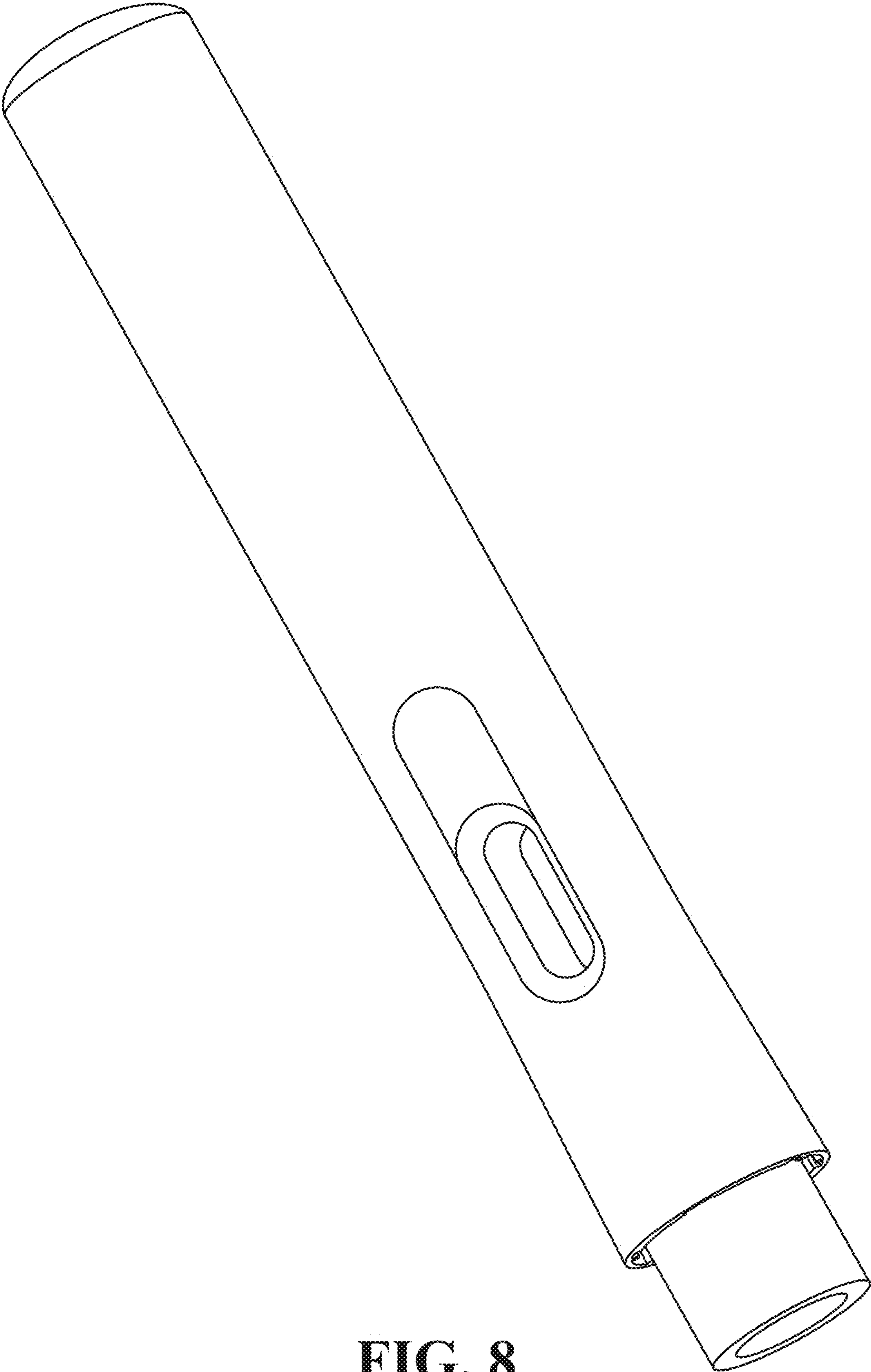


FIG. 8

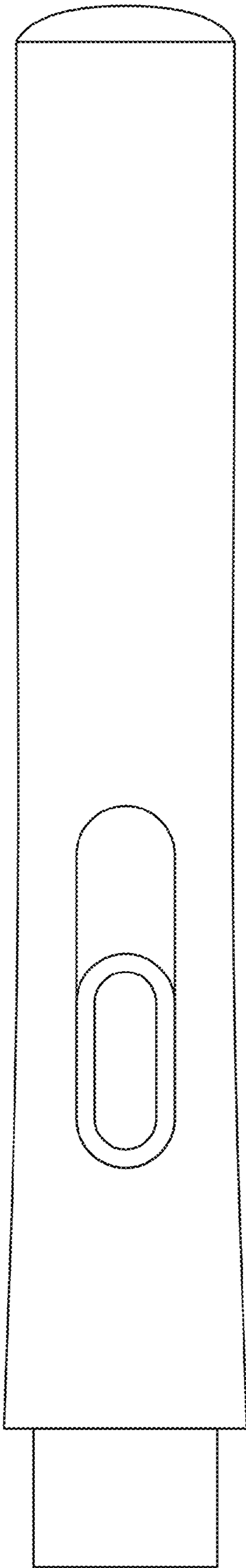


FIG. 9

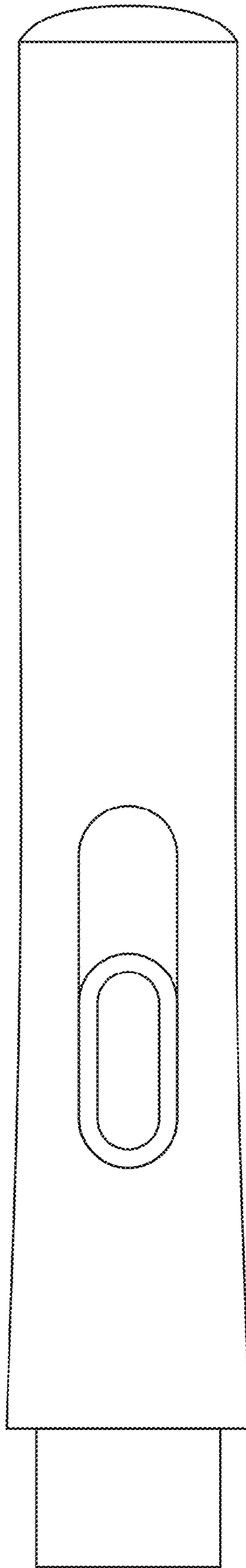


FIG. 10

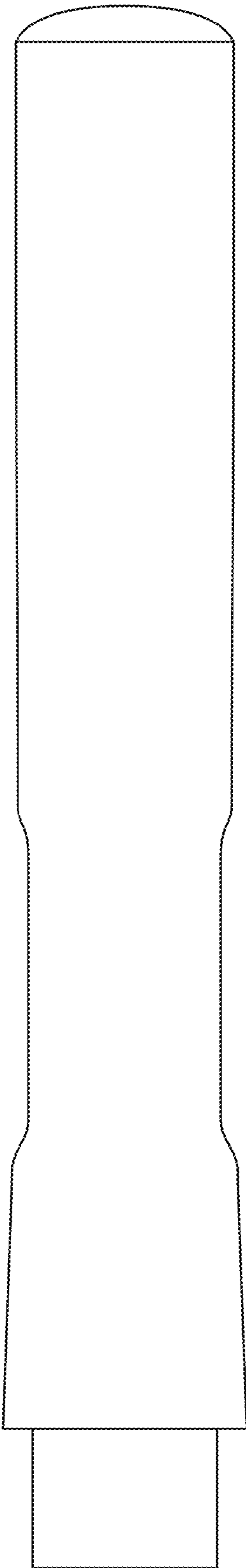


FIG. 11

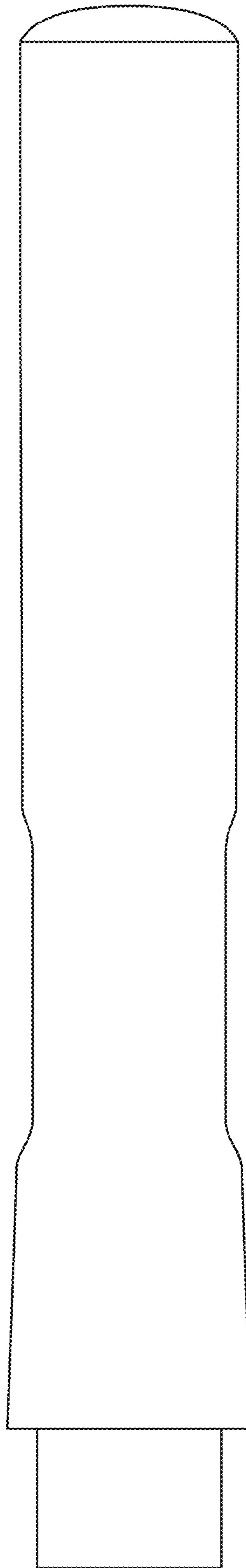


FIG. 12

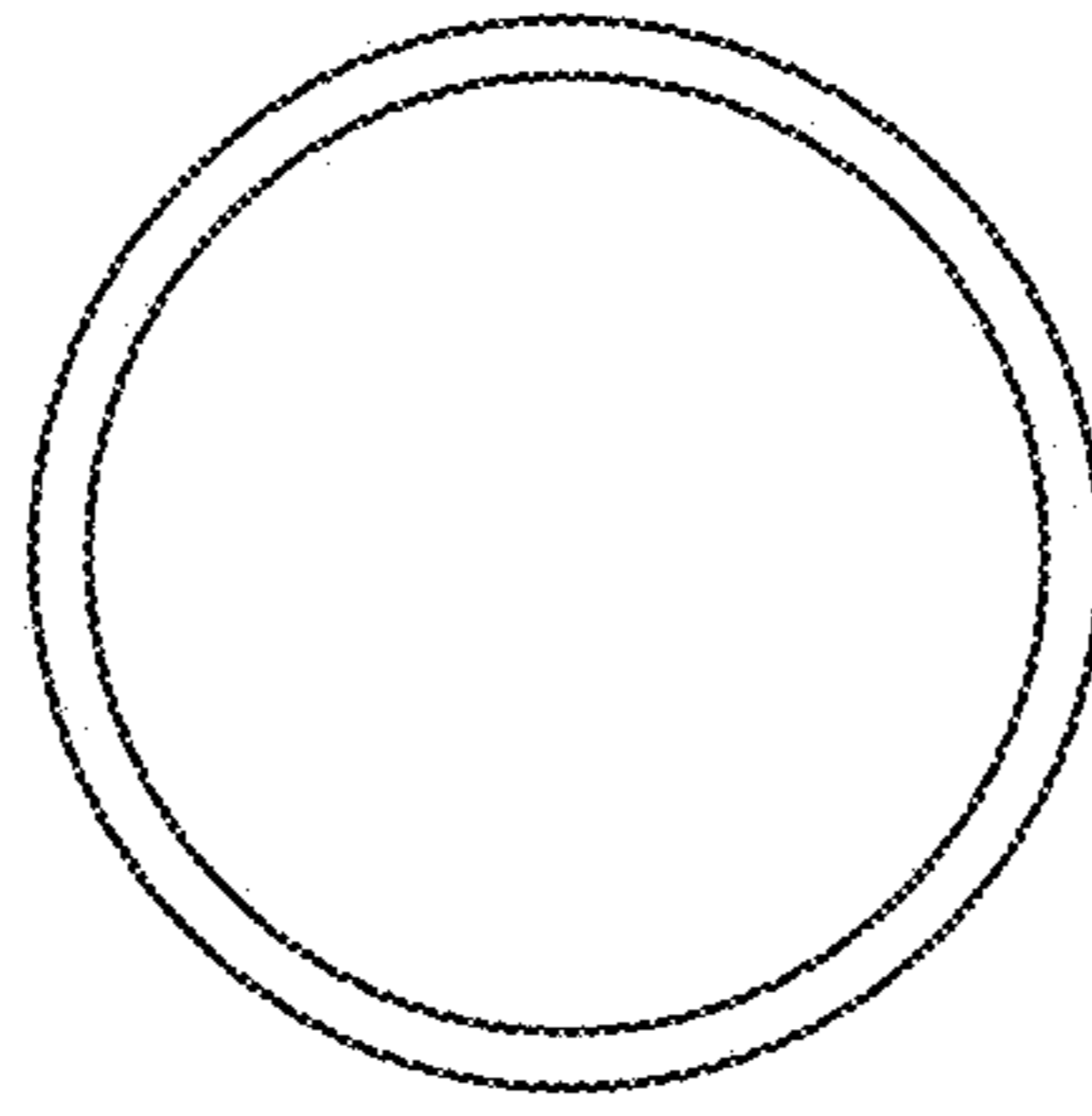


FIG. 13

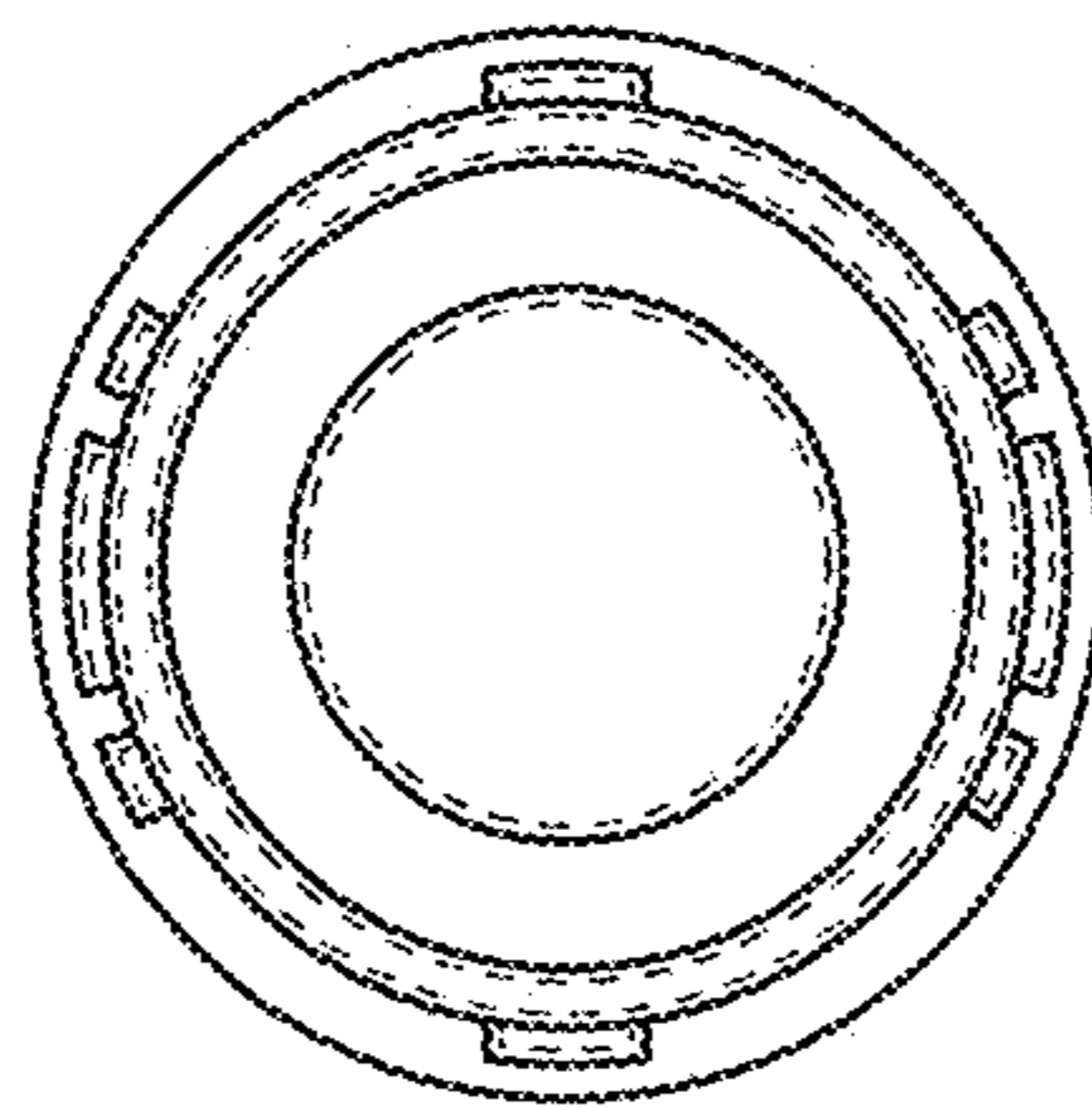


FIG. 14

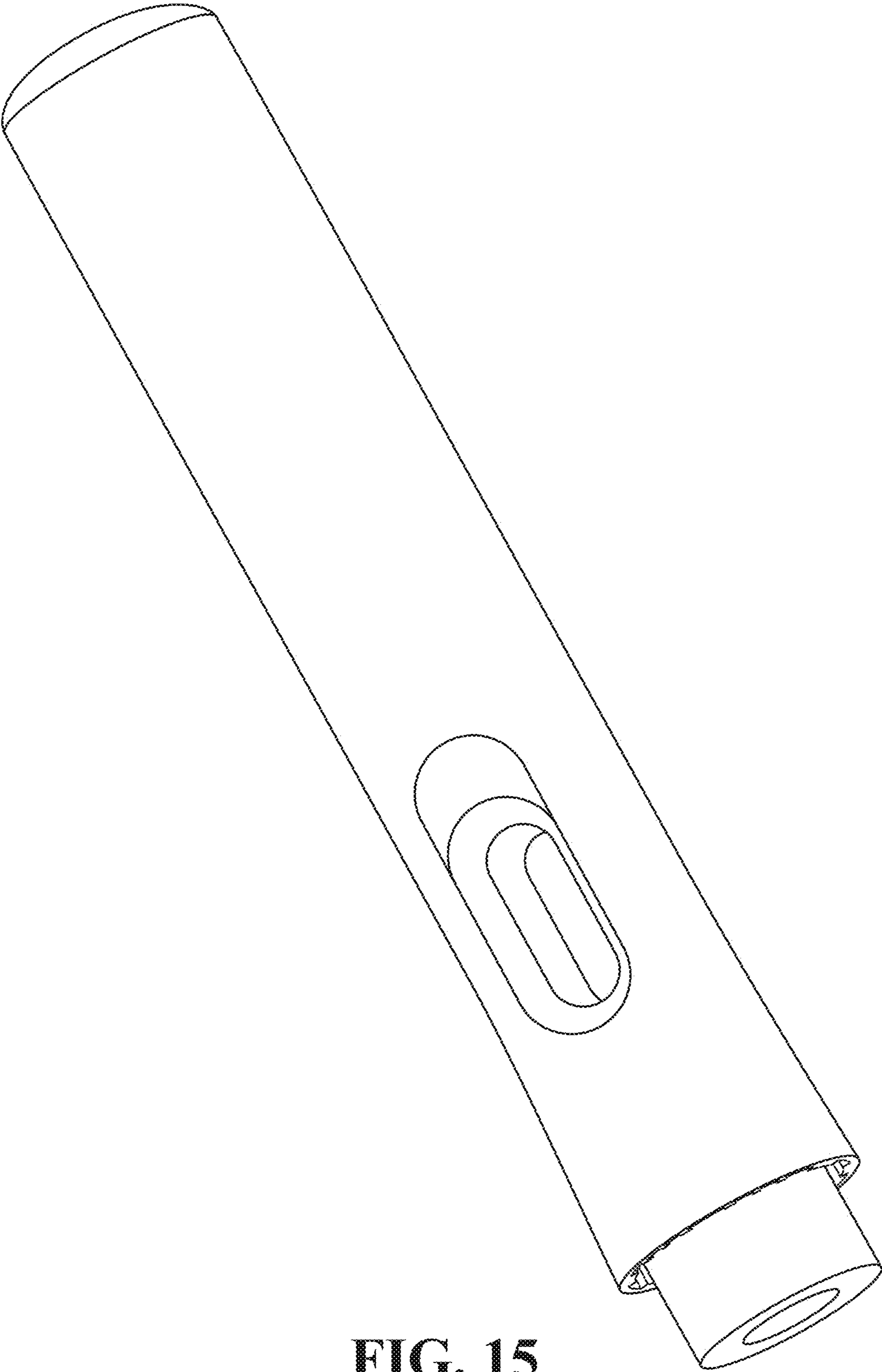


FIG. 15

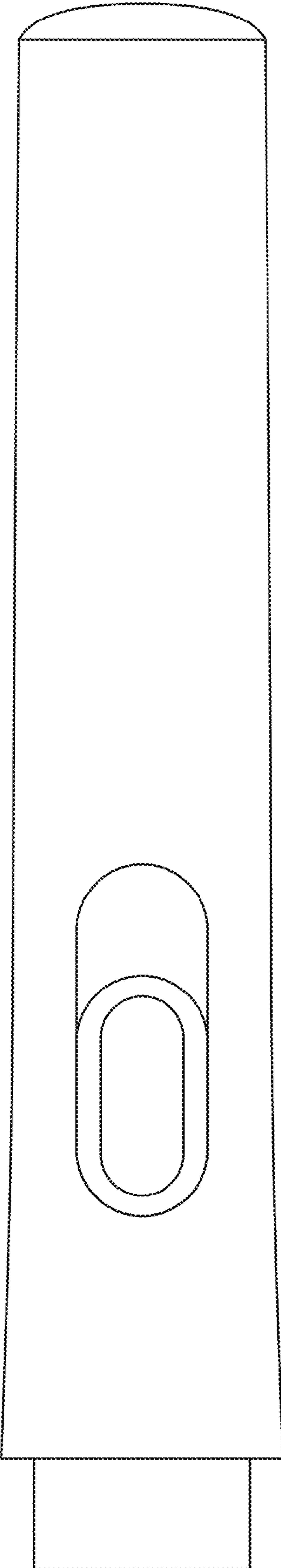


FIG. 16

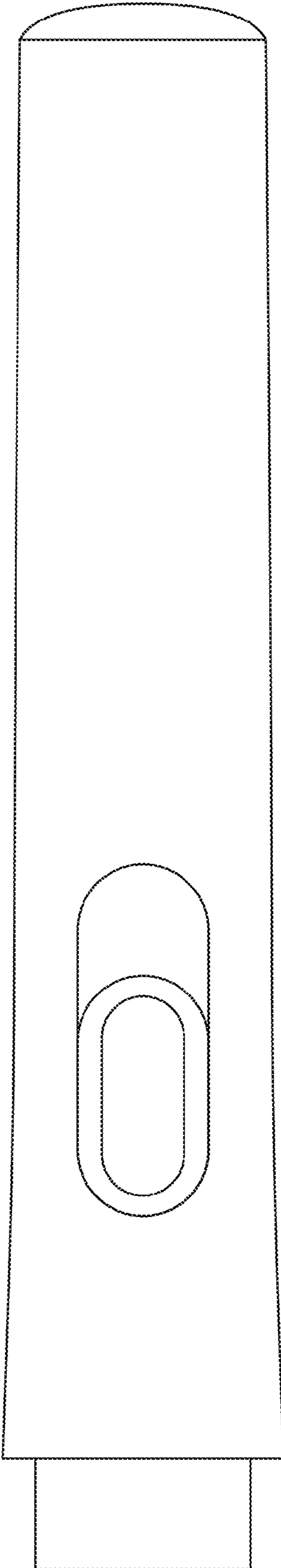


FIG. 17

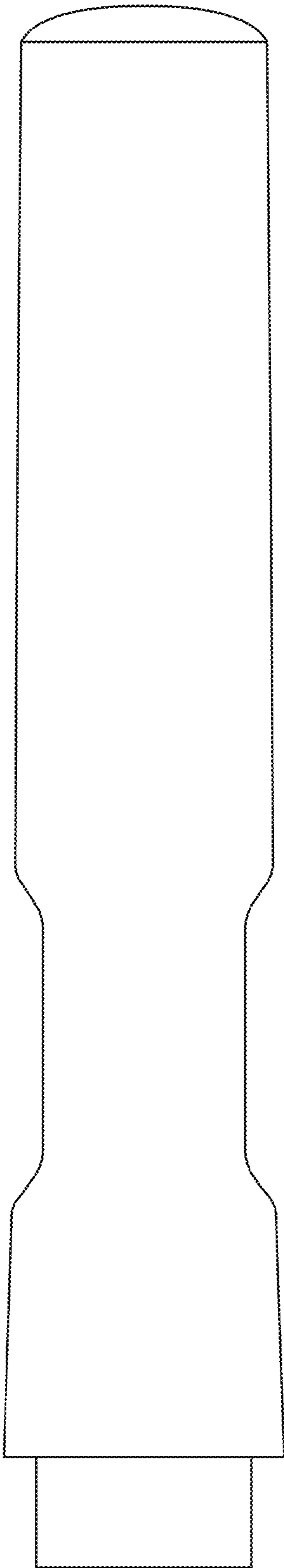


FIG. 18

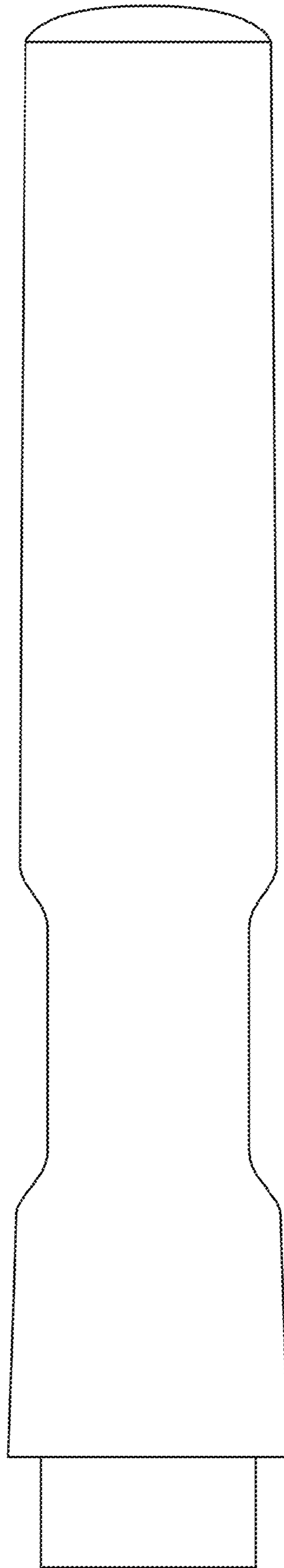


FIG. 19

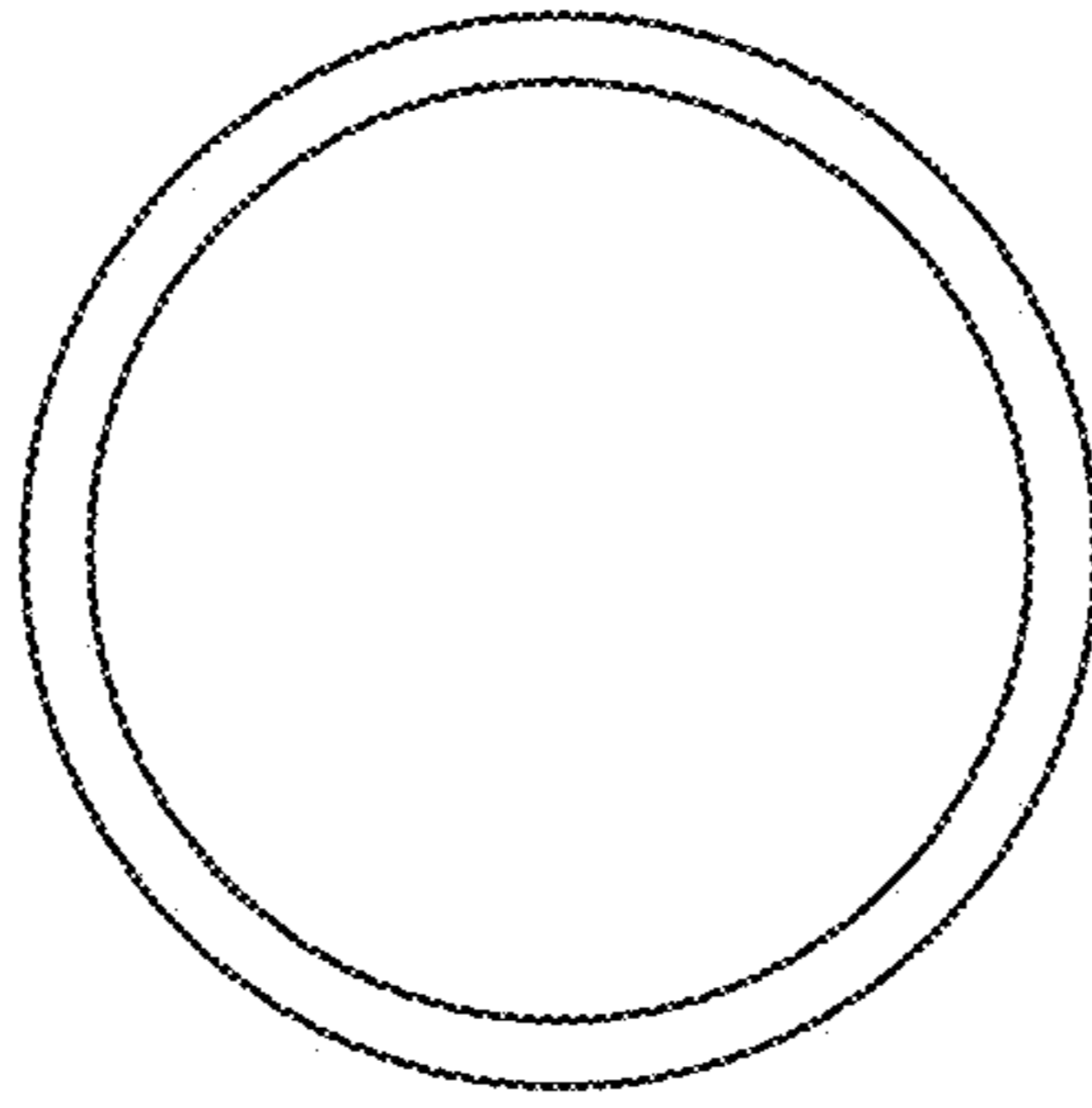


FIG. 20

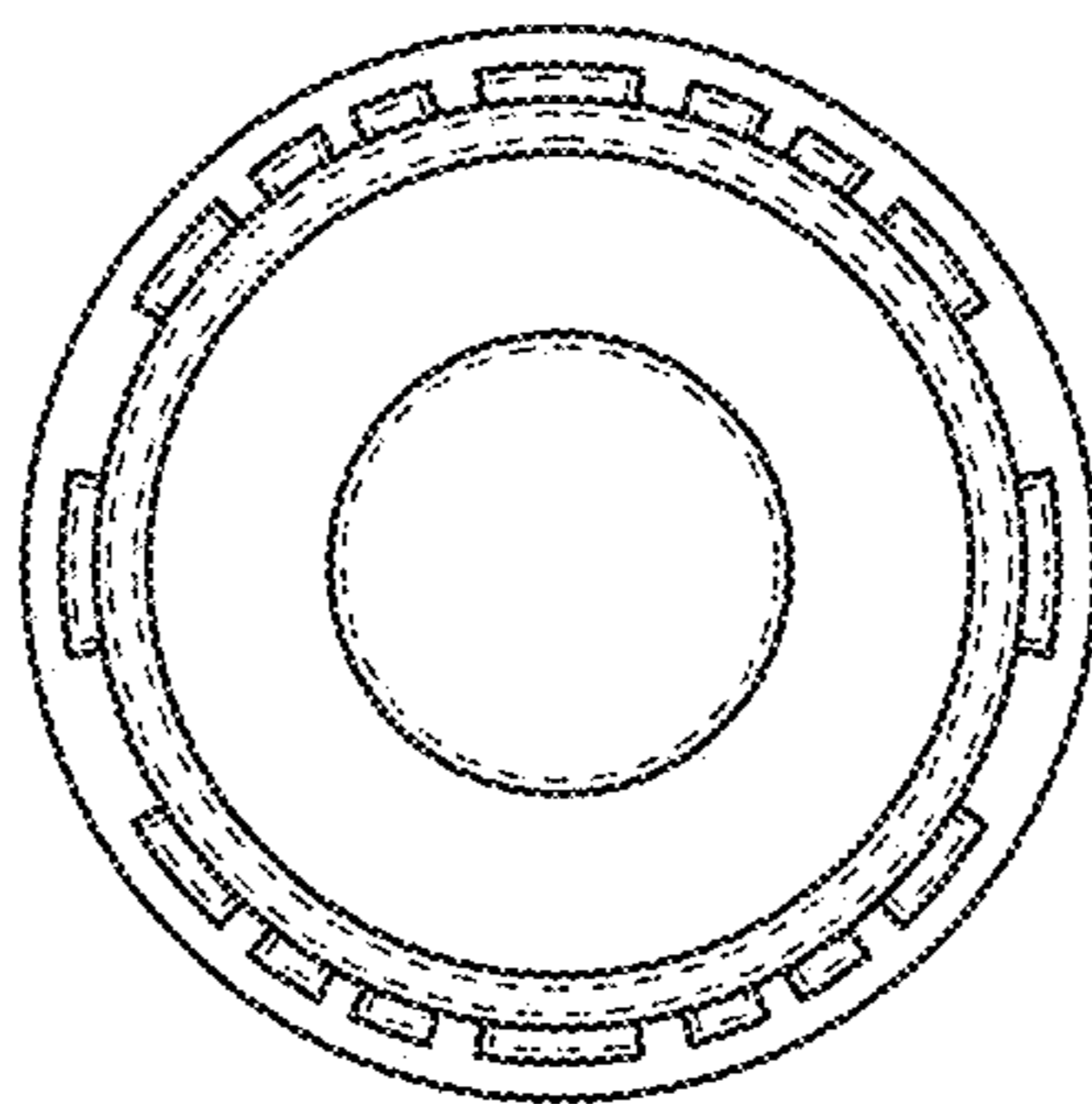


FIG. 21

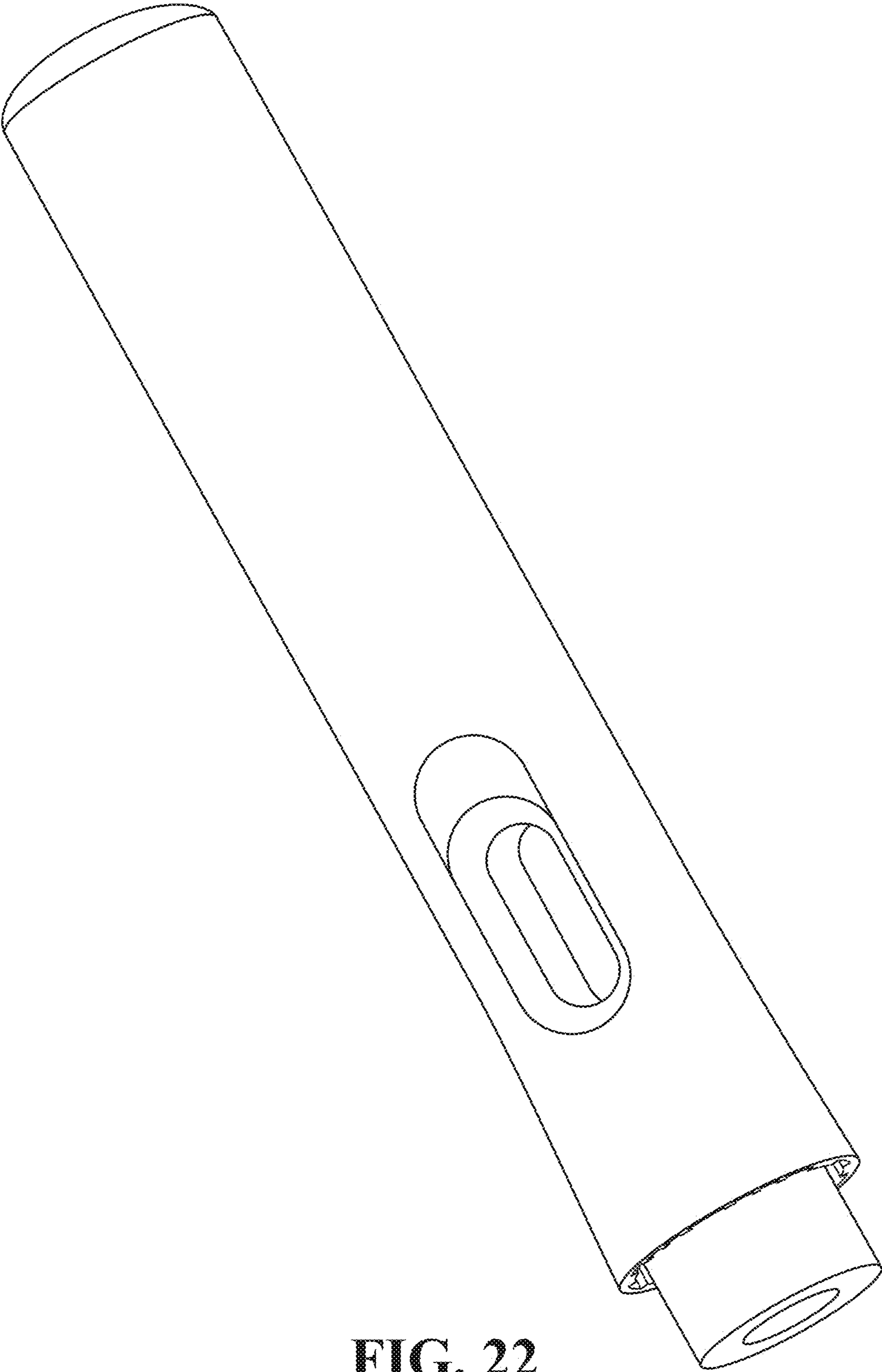


FIG. 22

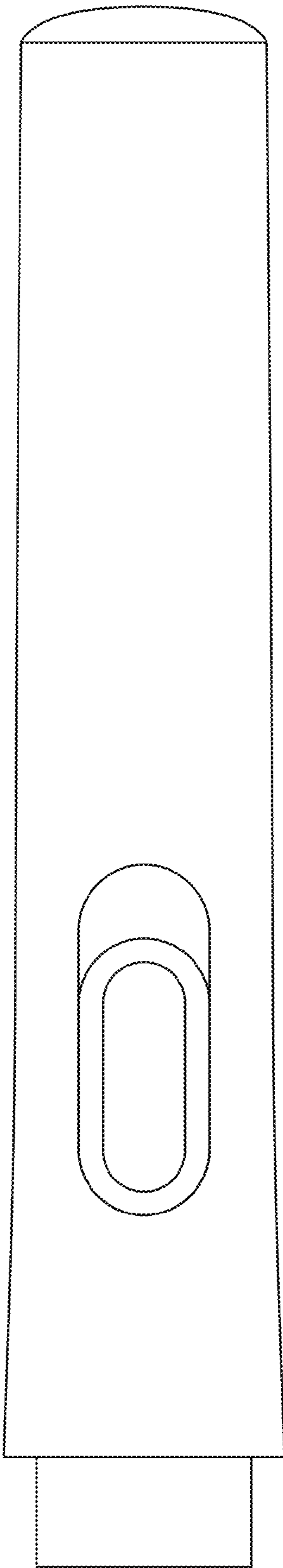


FIG. 23

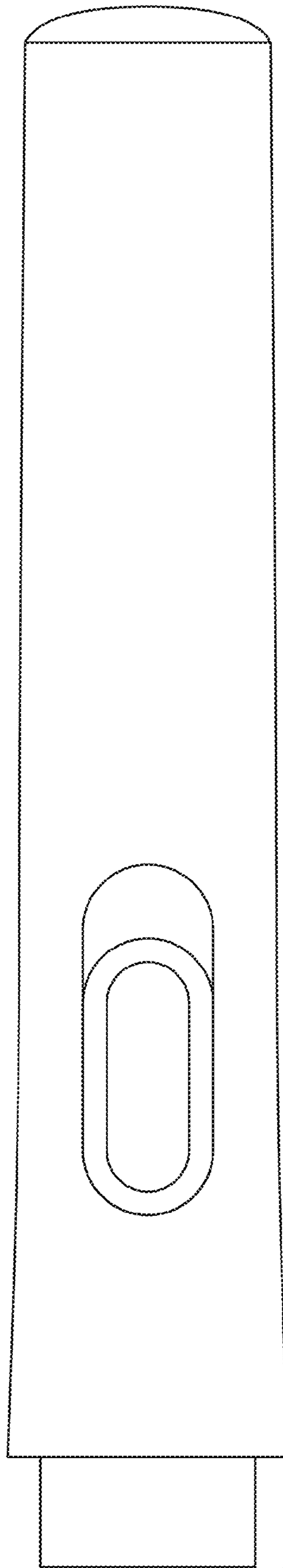


FIG. 24

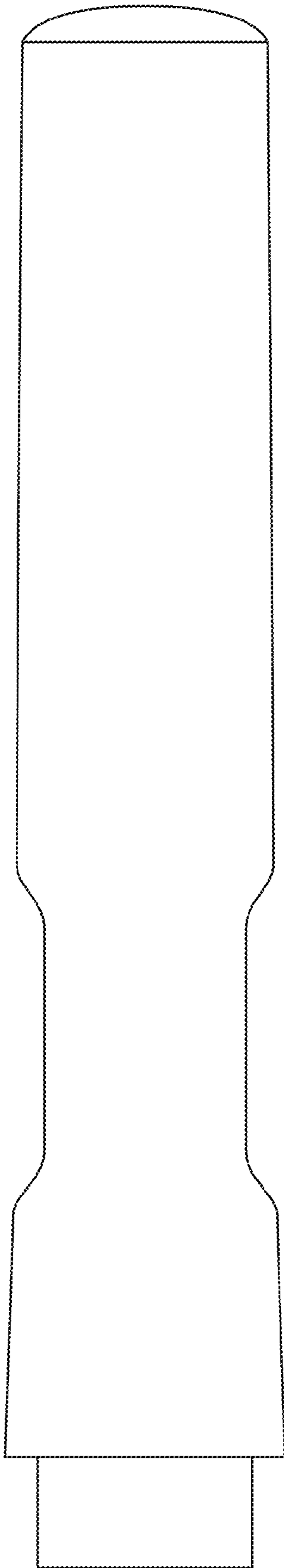


FIG. 25

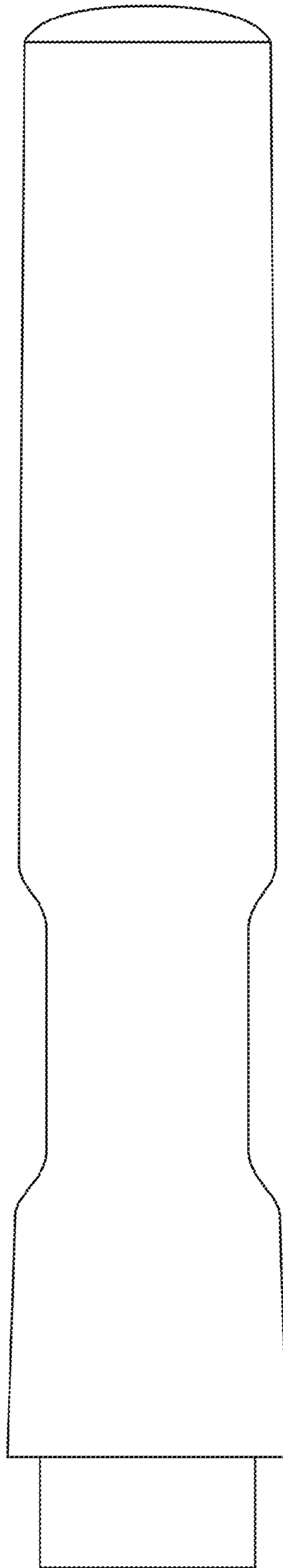


FIG. 26

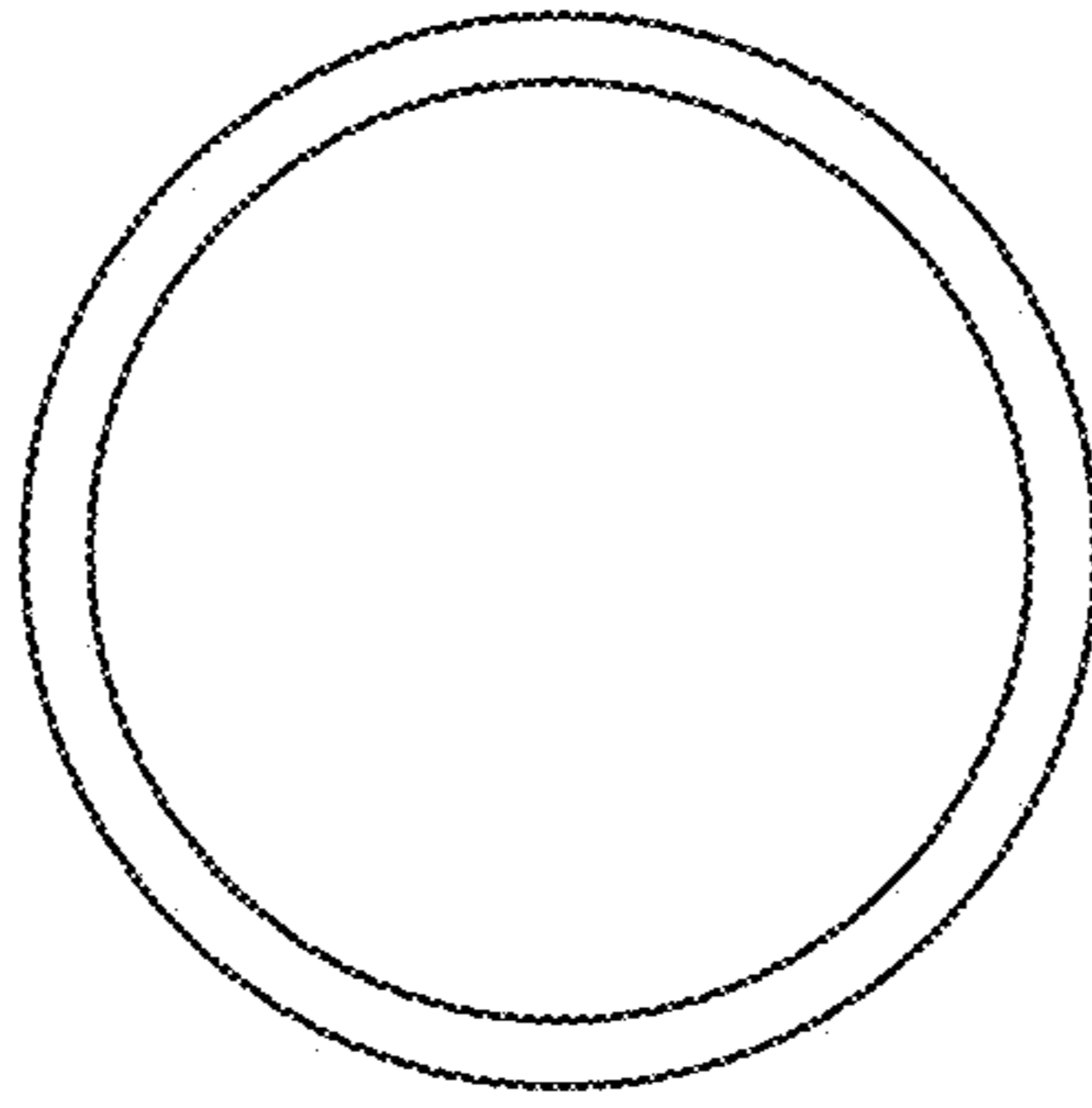


FIG. 27

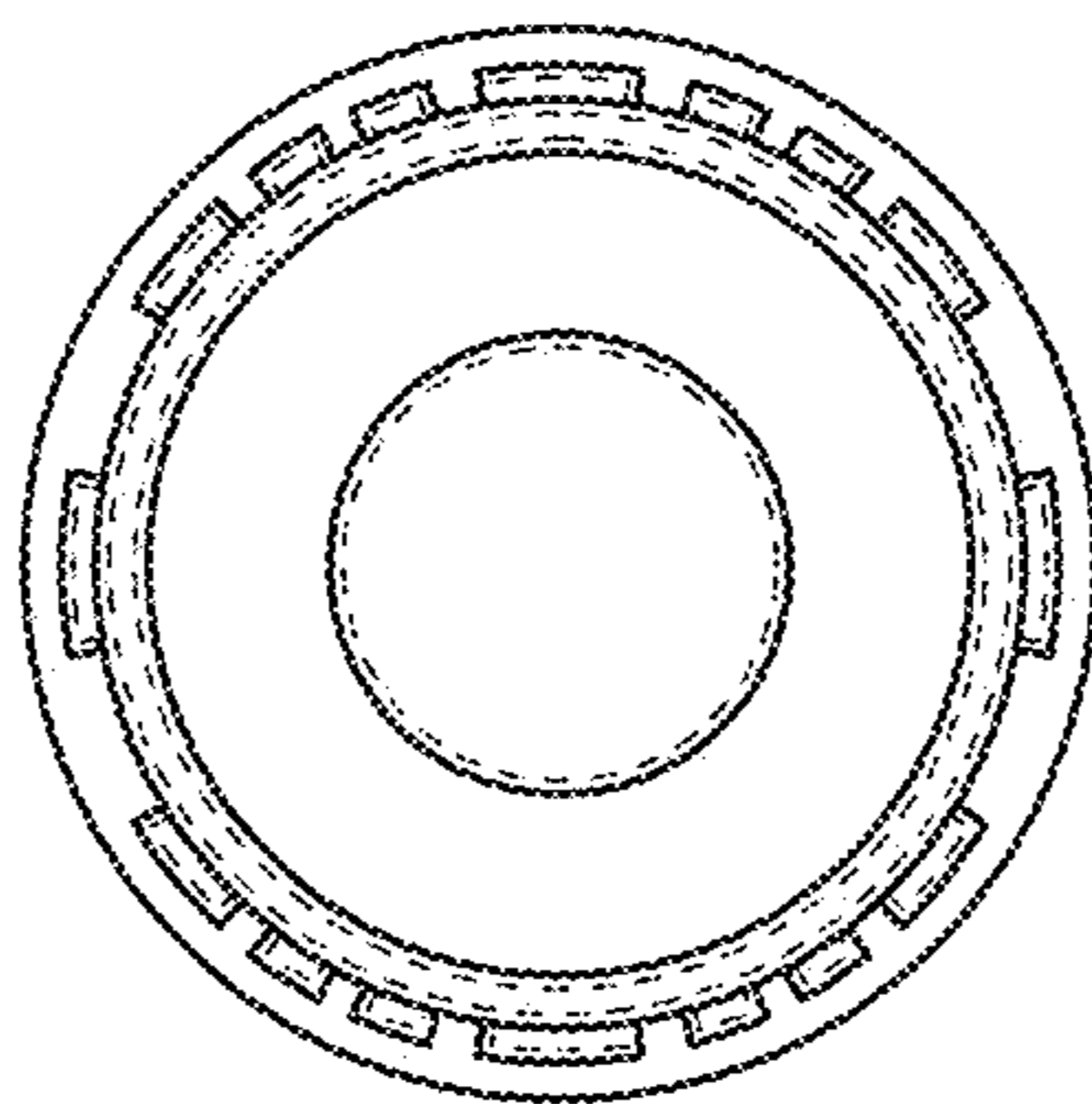


FIG. 28

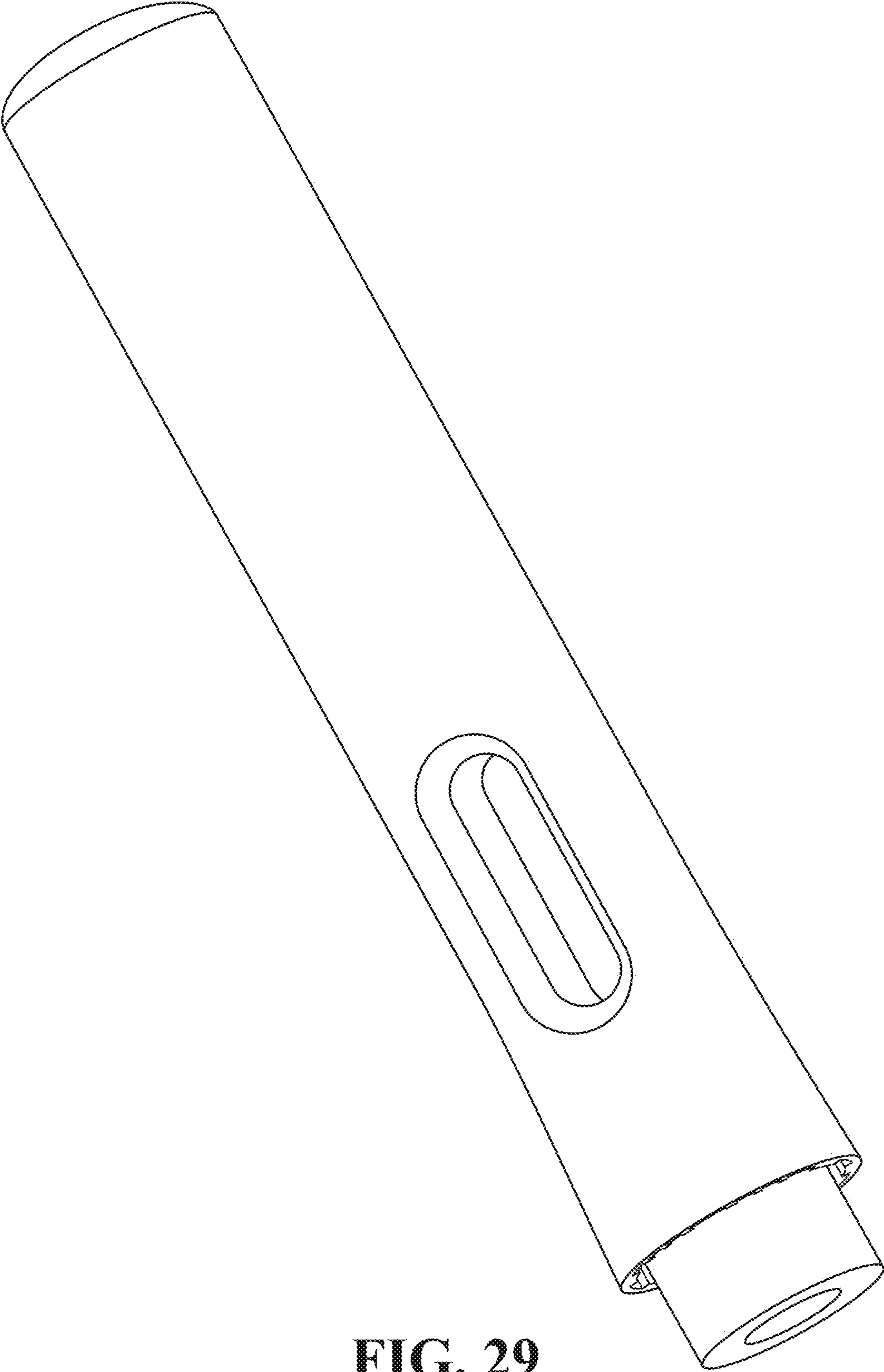


FIG. 29

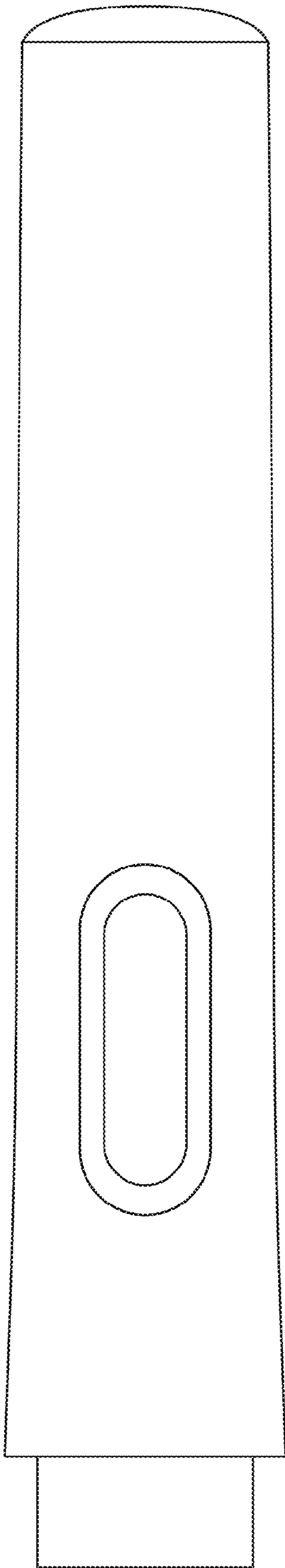


FIG. 30

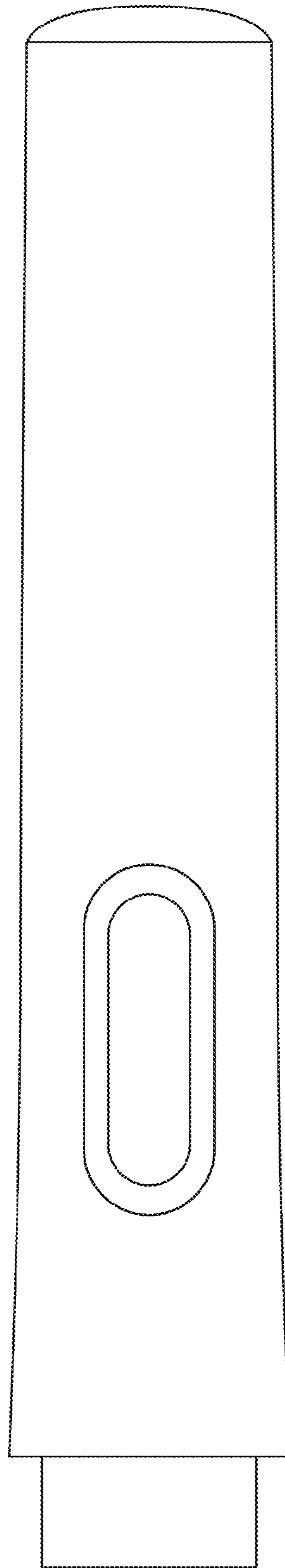


FIG. 31

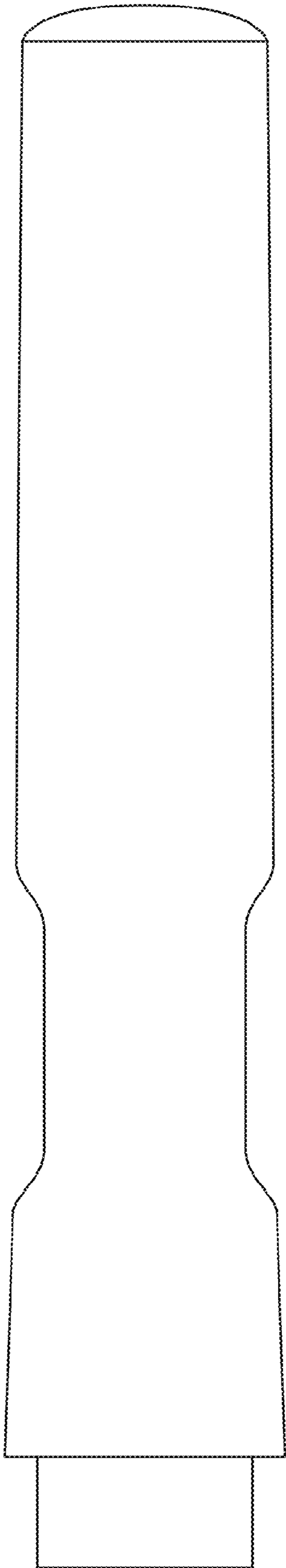


FIG. 32

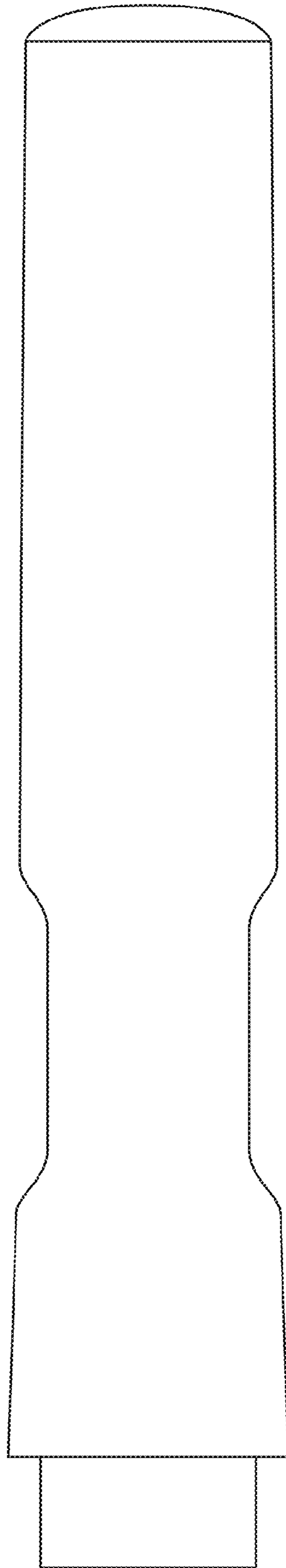


FIG. 33

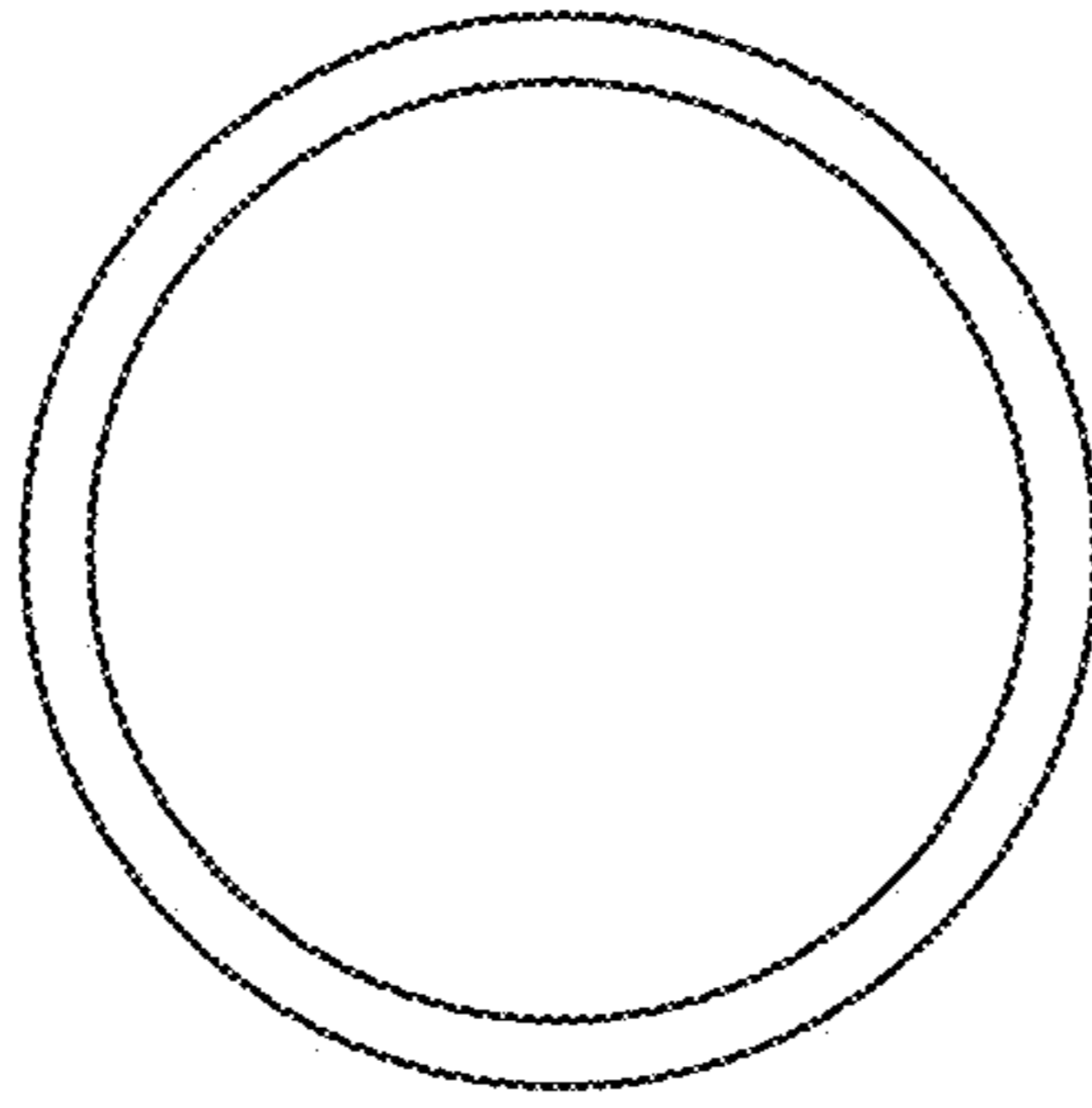


FIG. 34

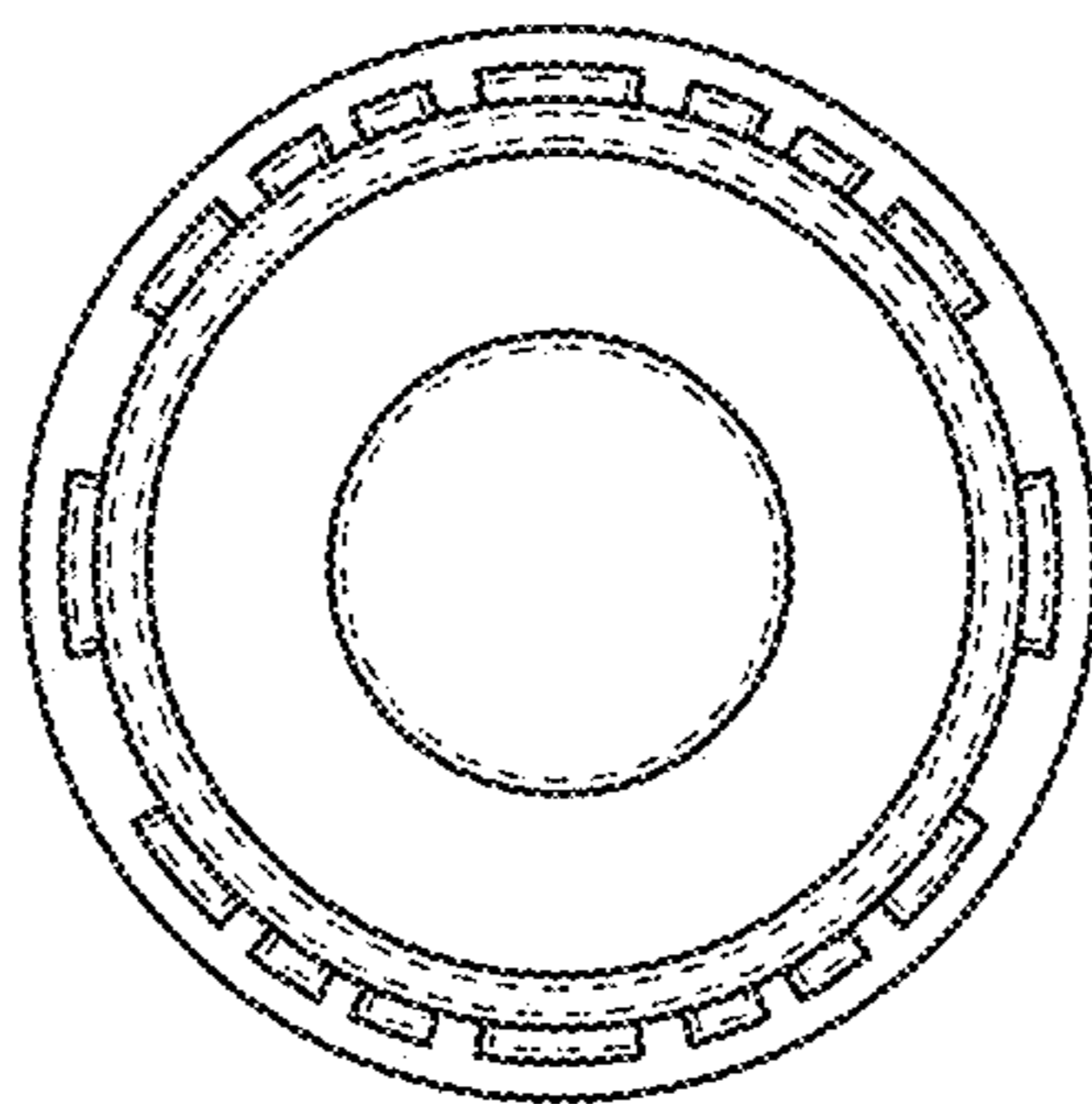


FIG. 35

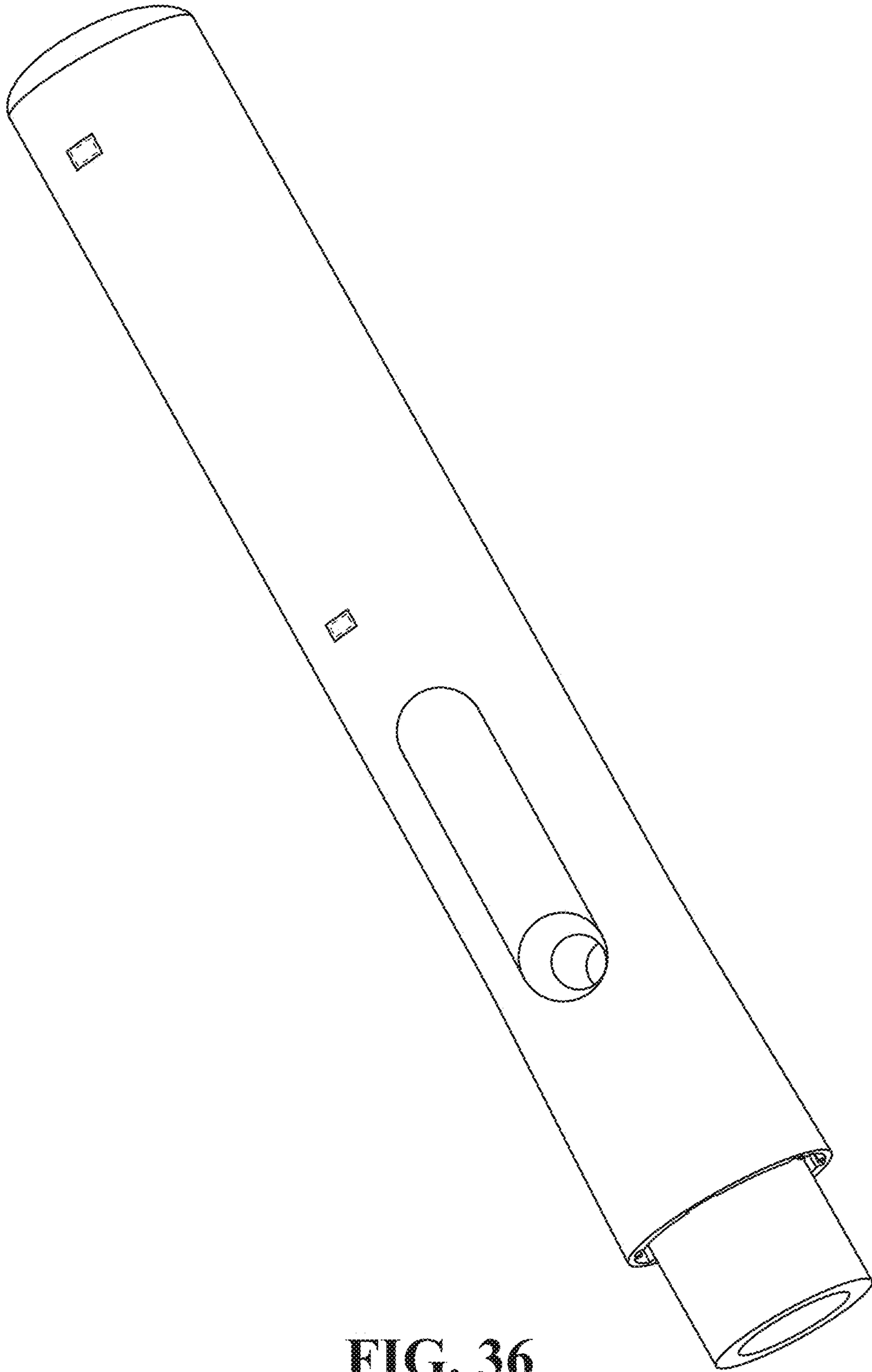


FIG. 36

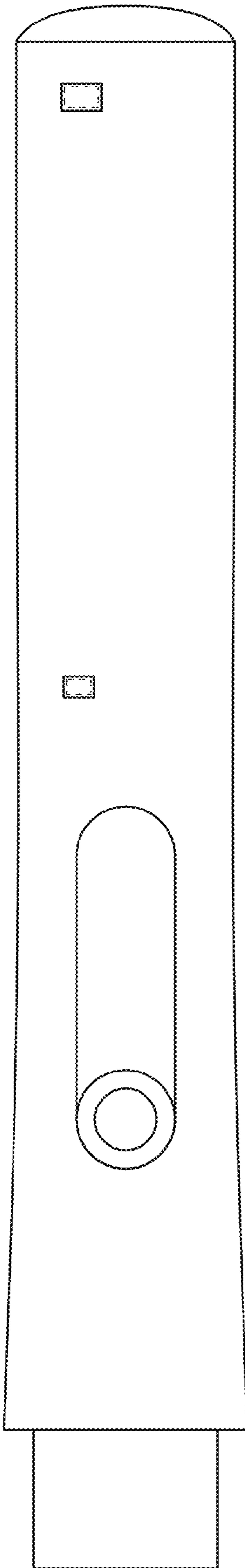


FIG. 37

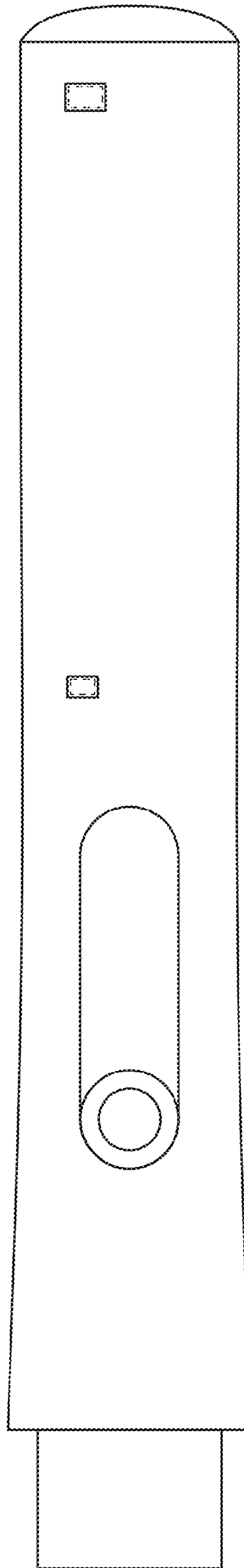


FIG. 38

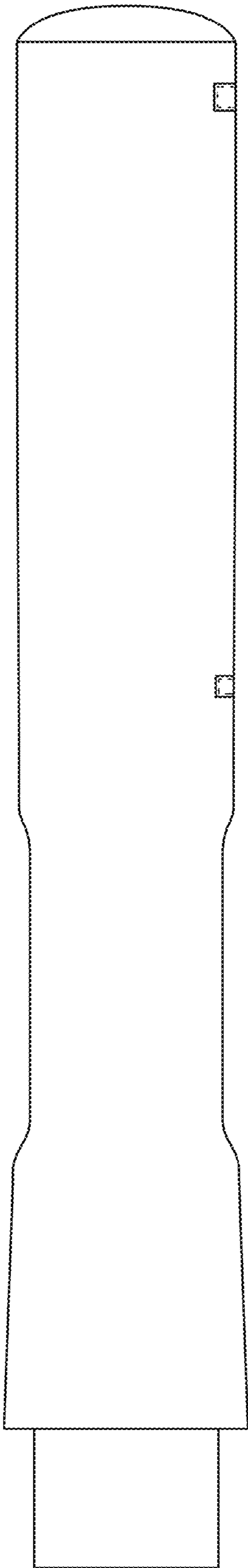


FIG. 39

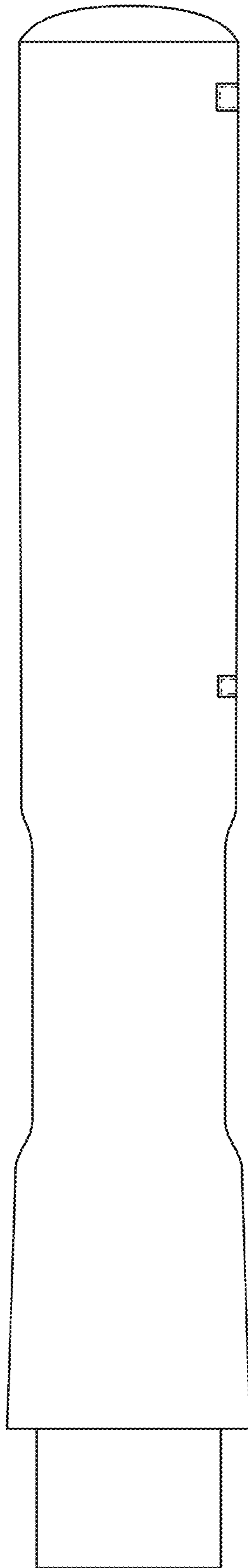


FIG. 40

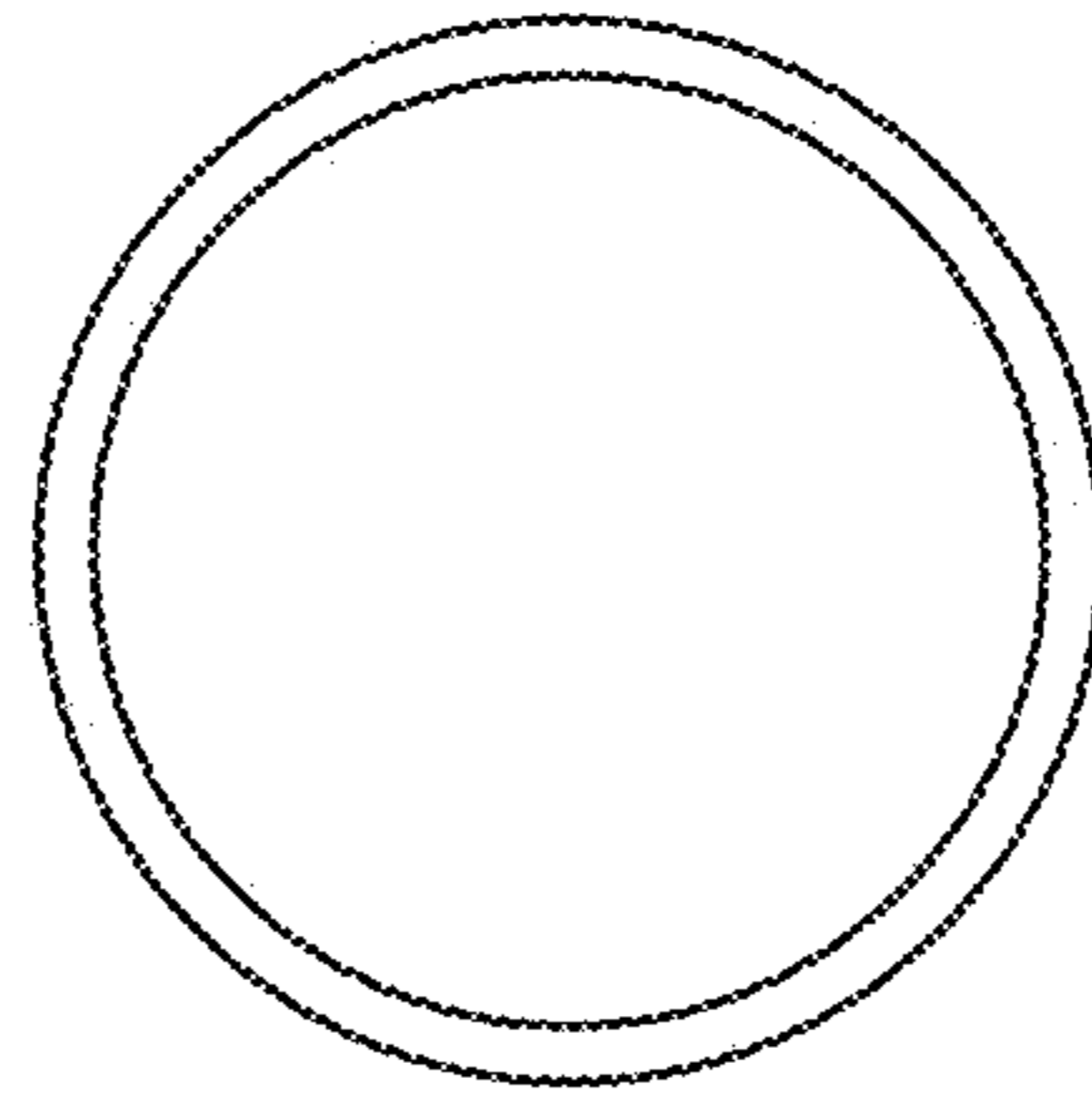


FIG. 41

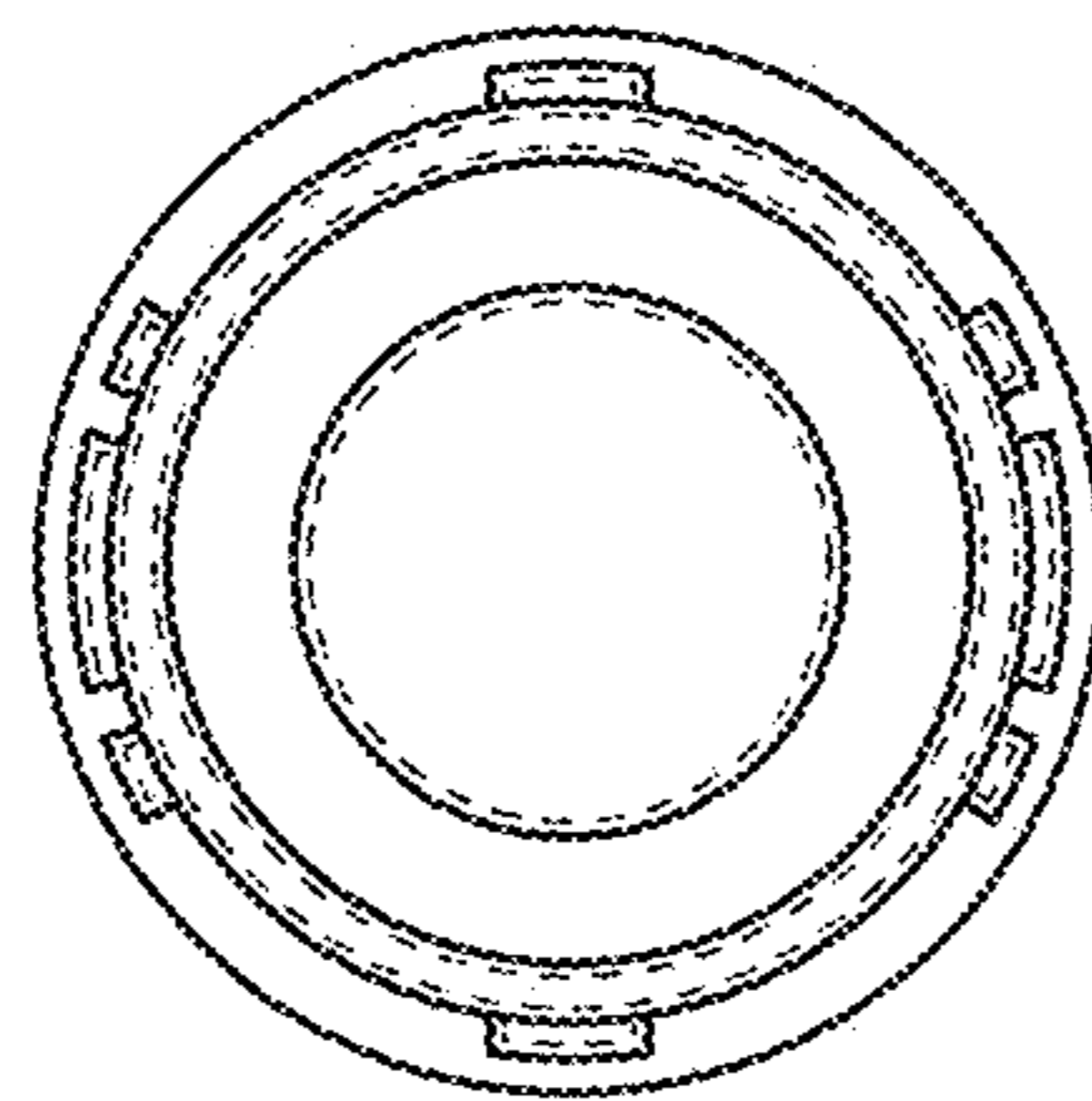


FIG. 42

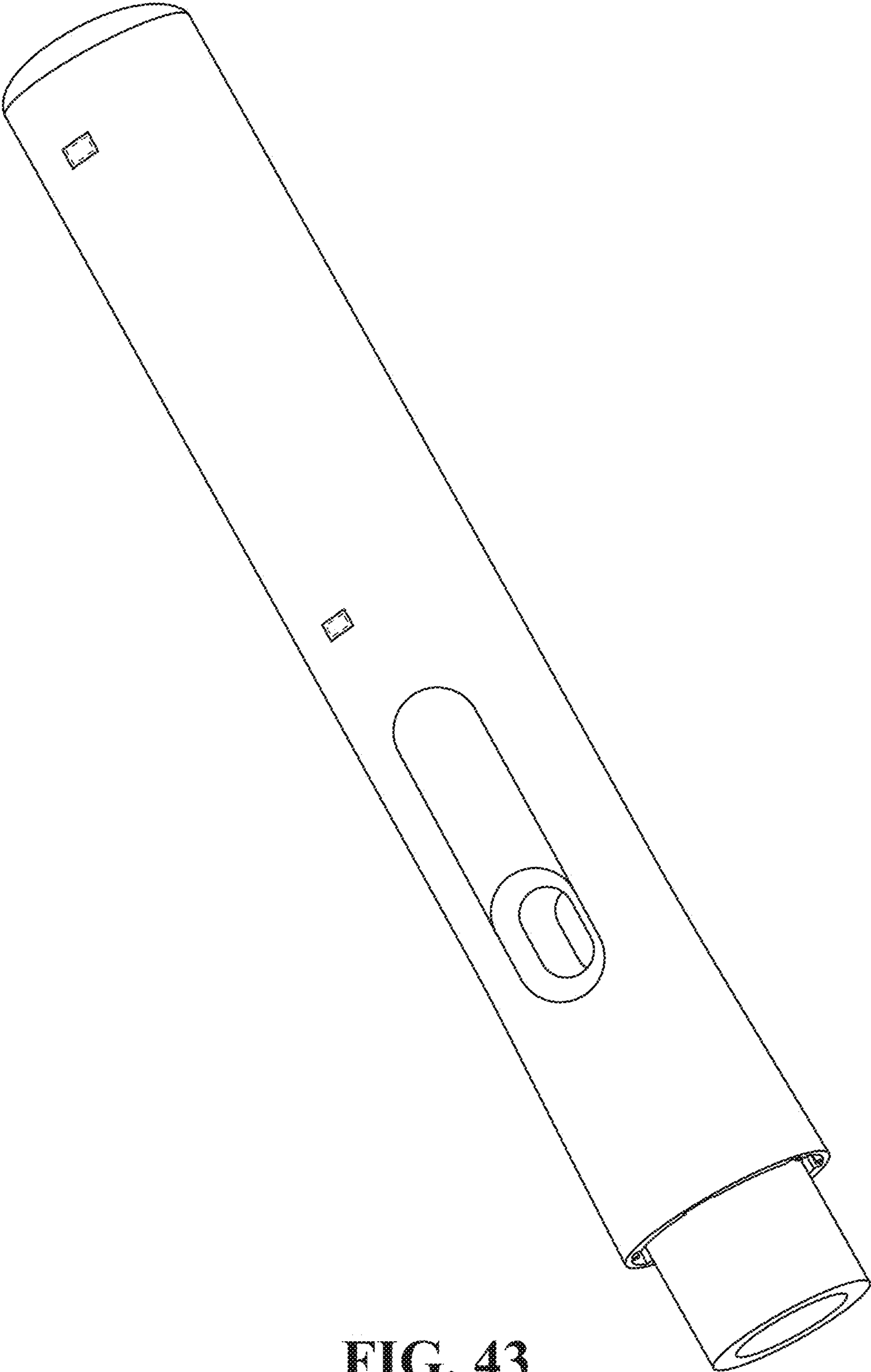


FIG. 43

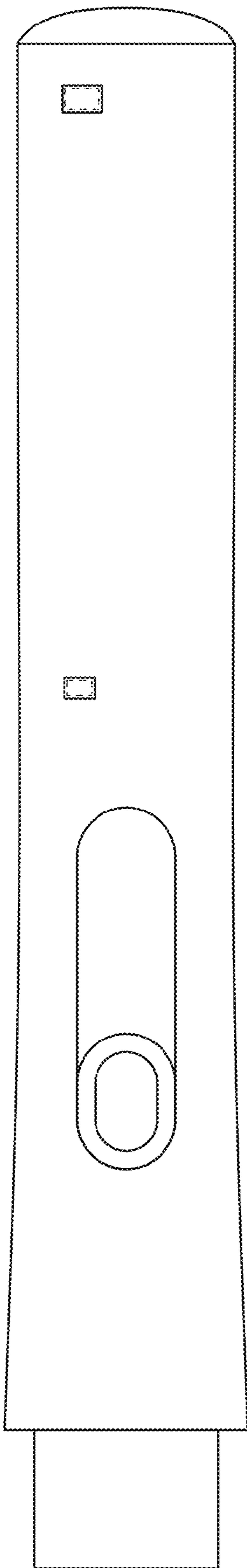


FIG. 44

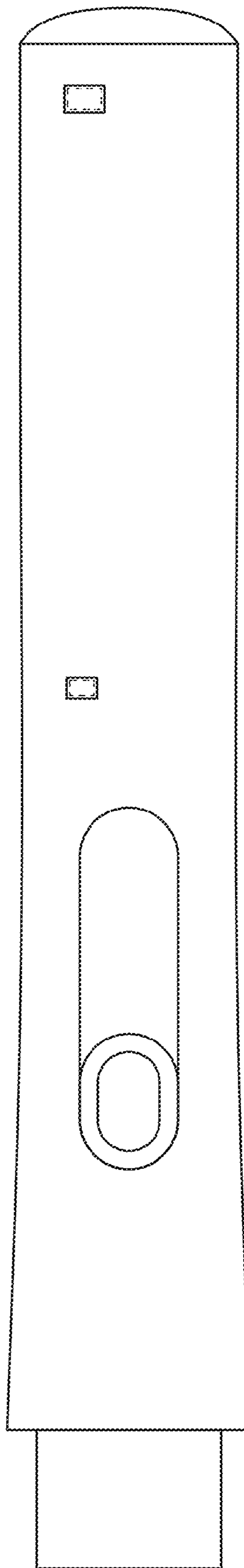


FIG. 45

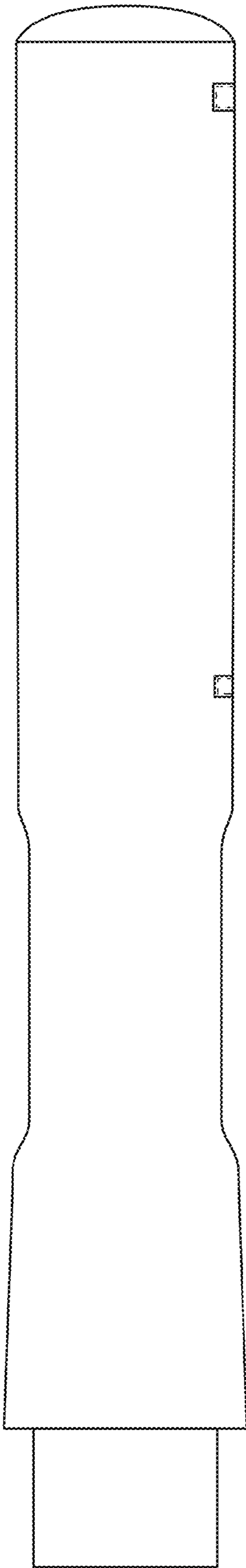


FIG. 46

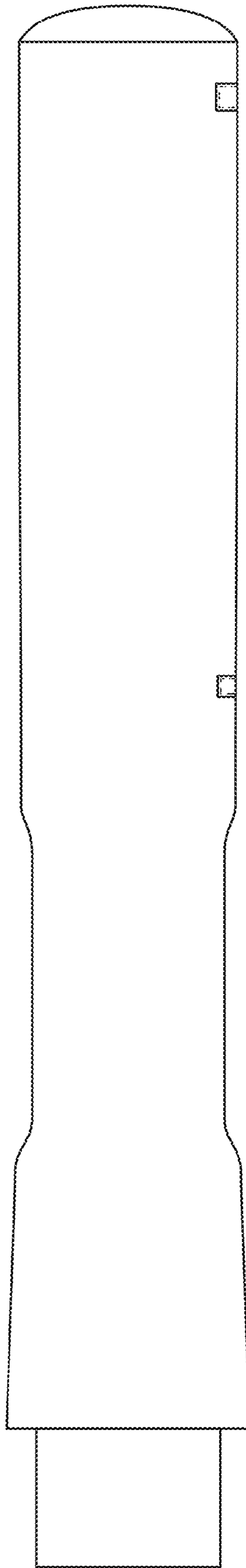


FIG. 47

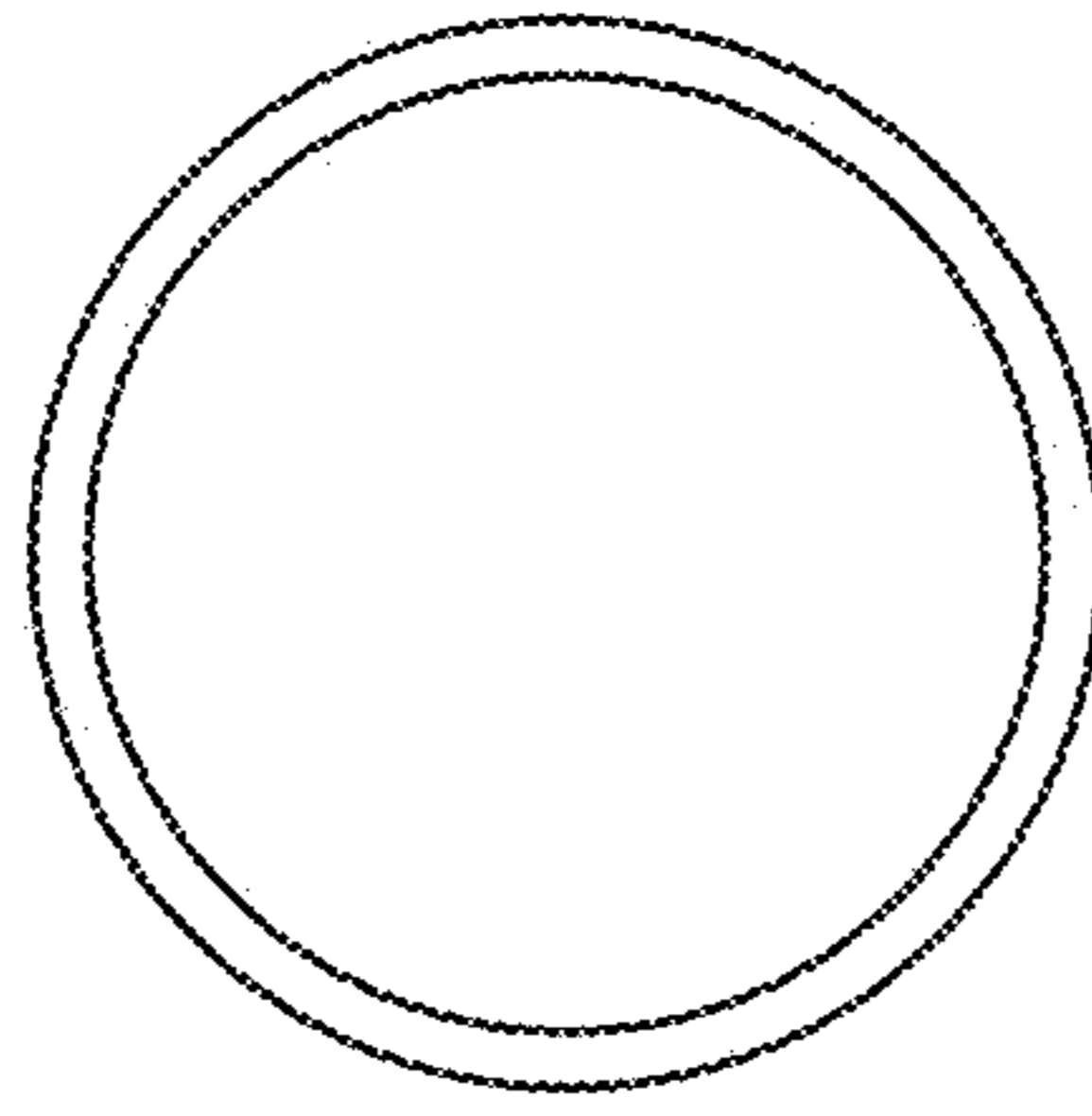


FIG. 48

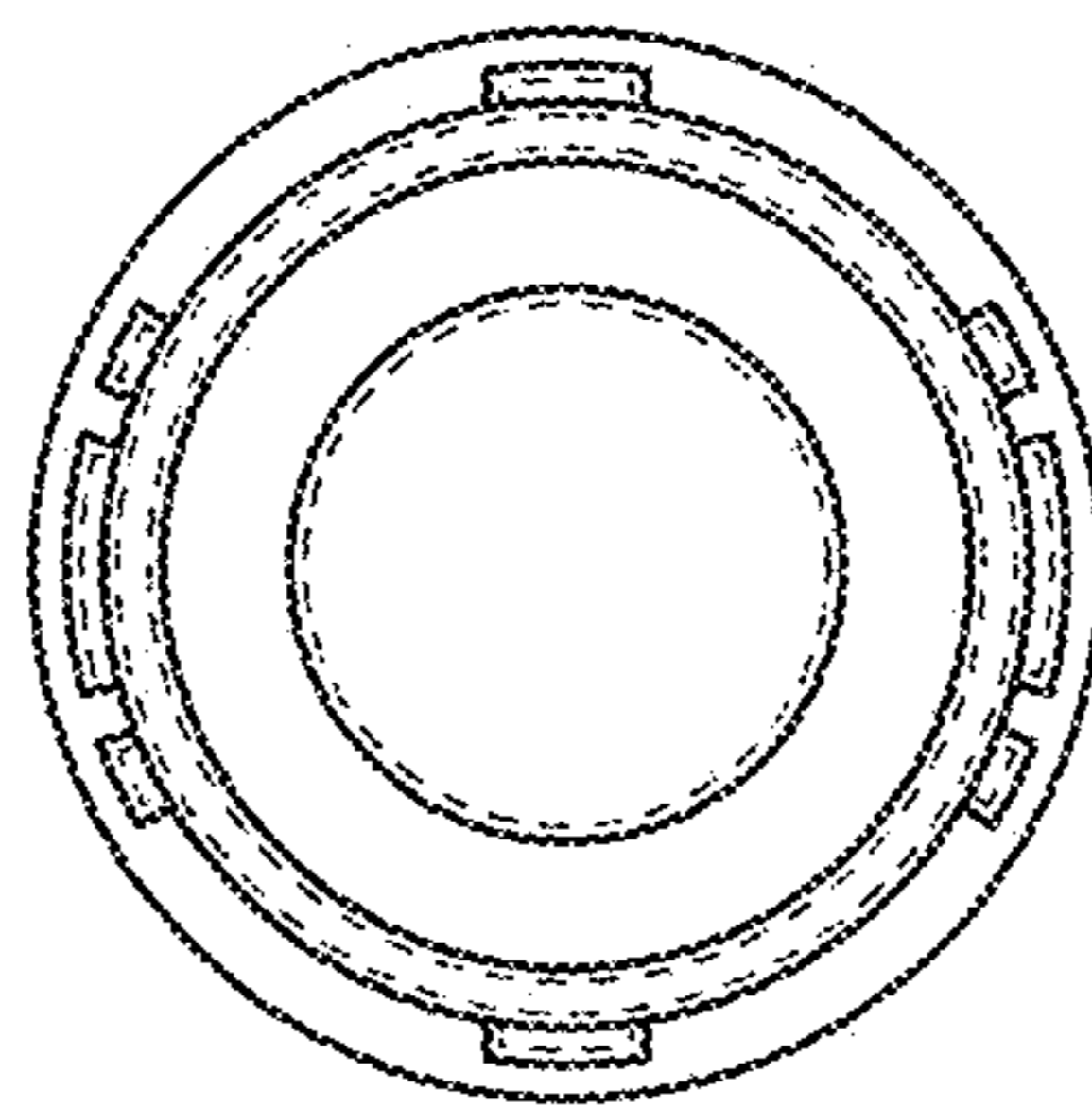


FIG. 49

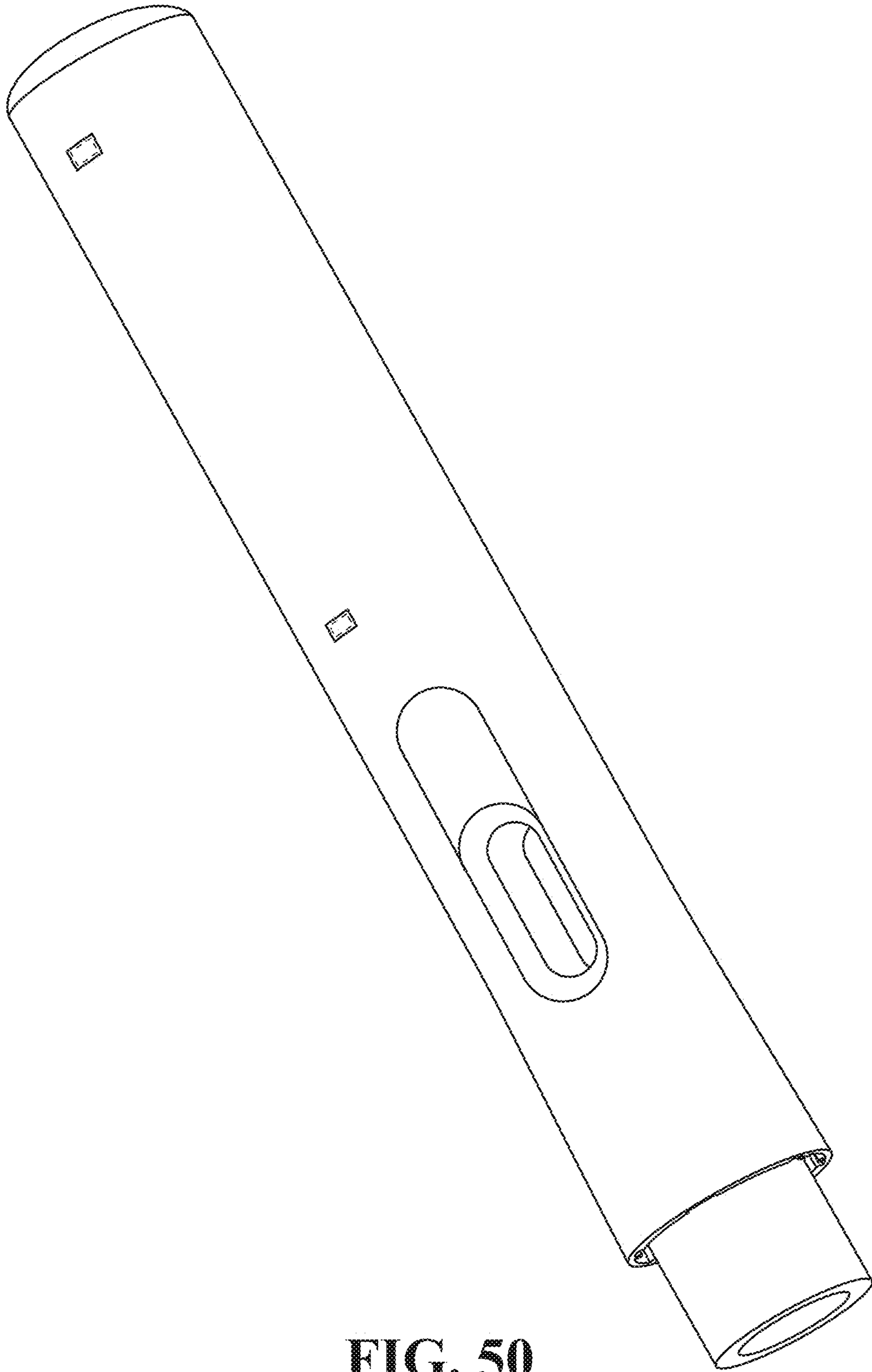


FIG. 50

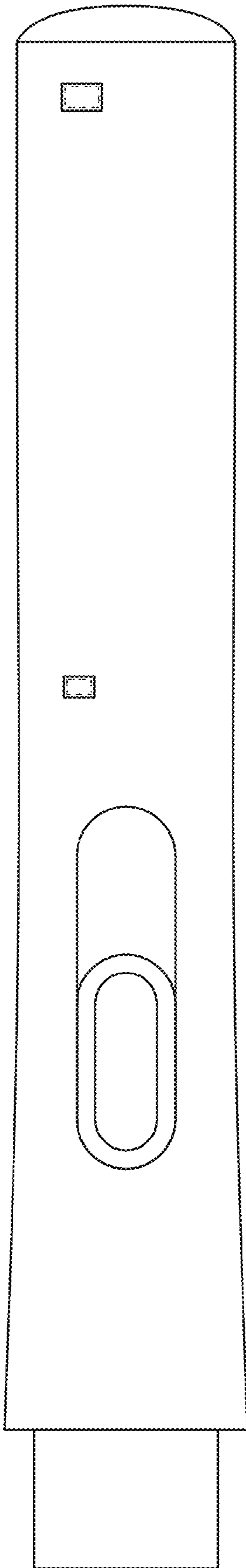


FIG. 51

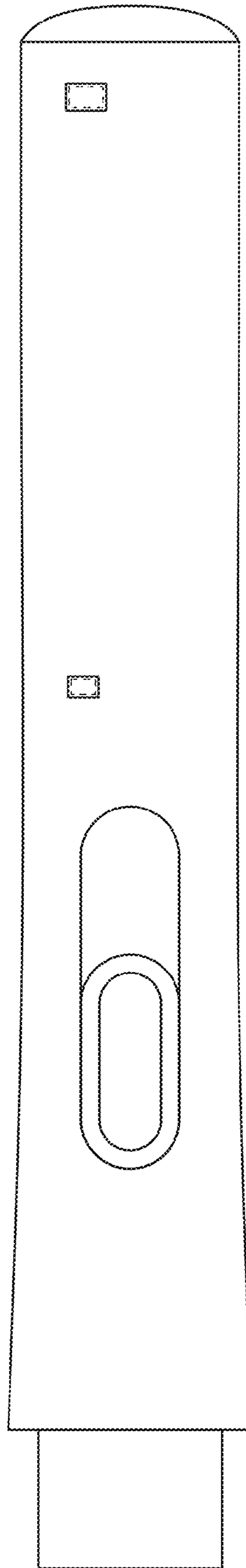


FIG. 52

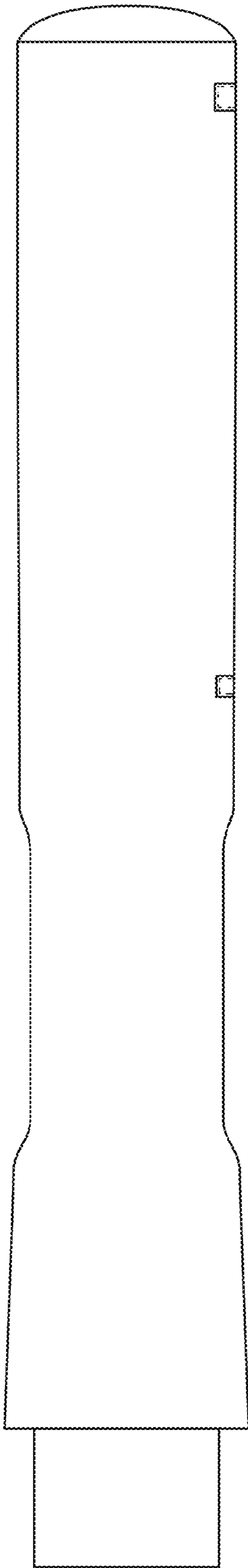


FIG. 53

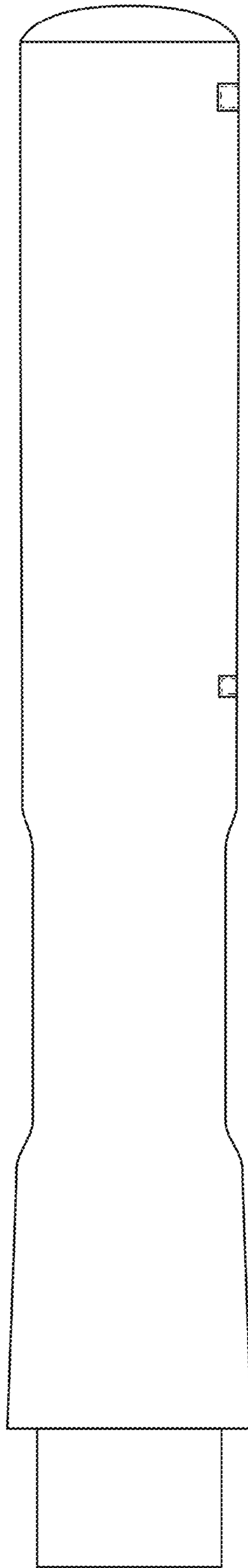


FIG. 54

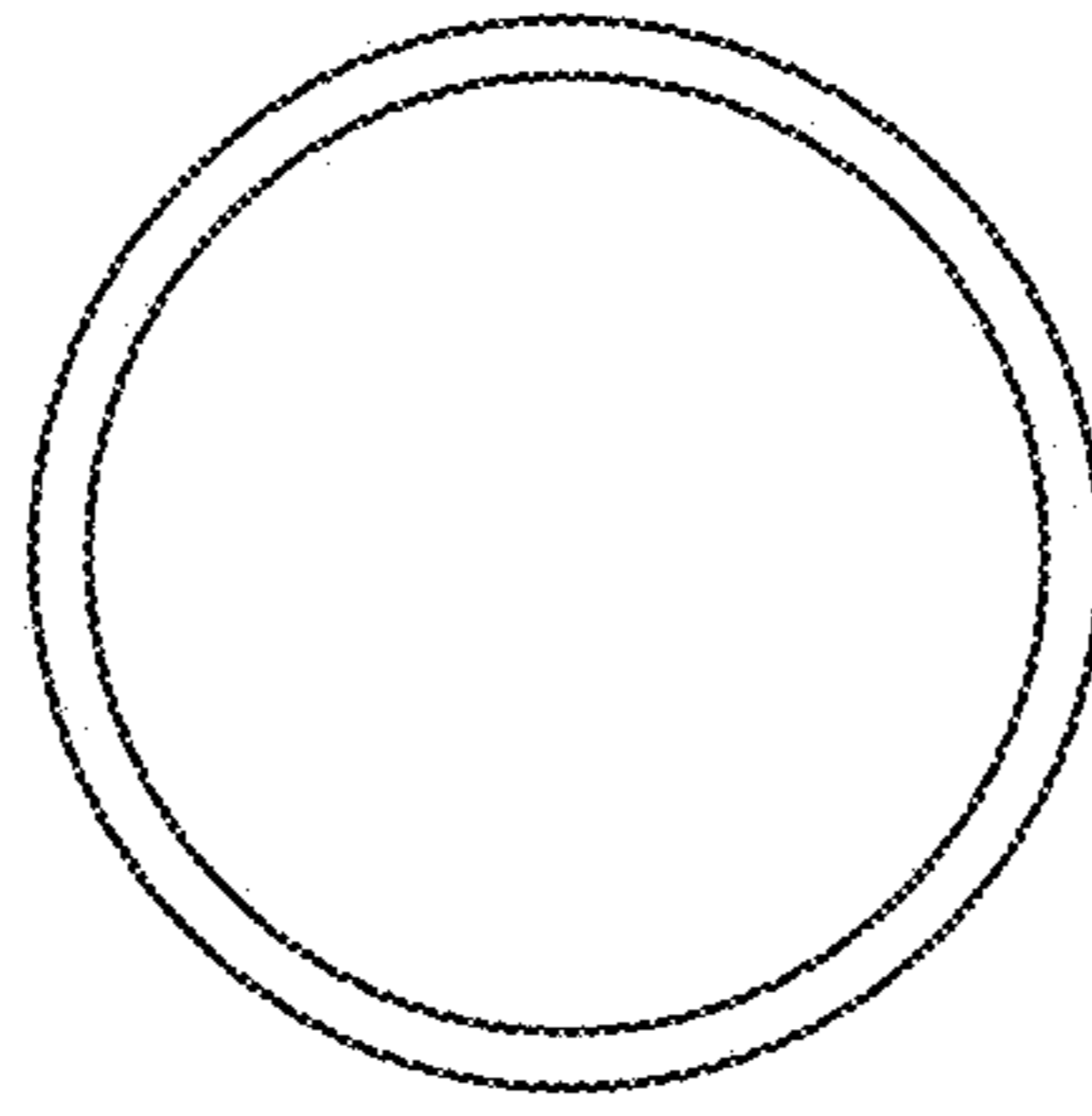


FIG. 55

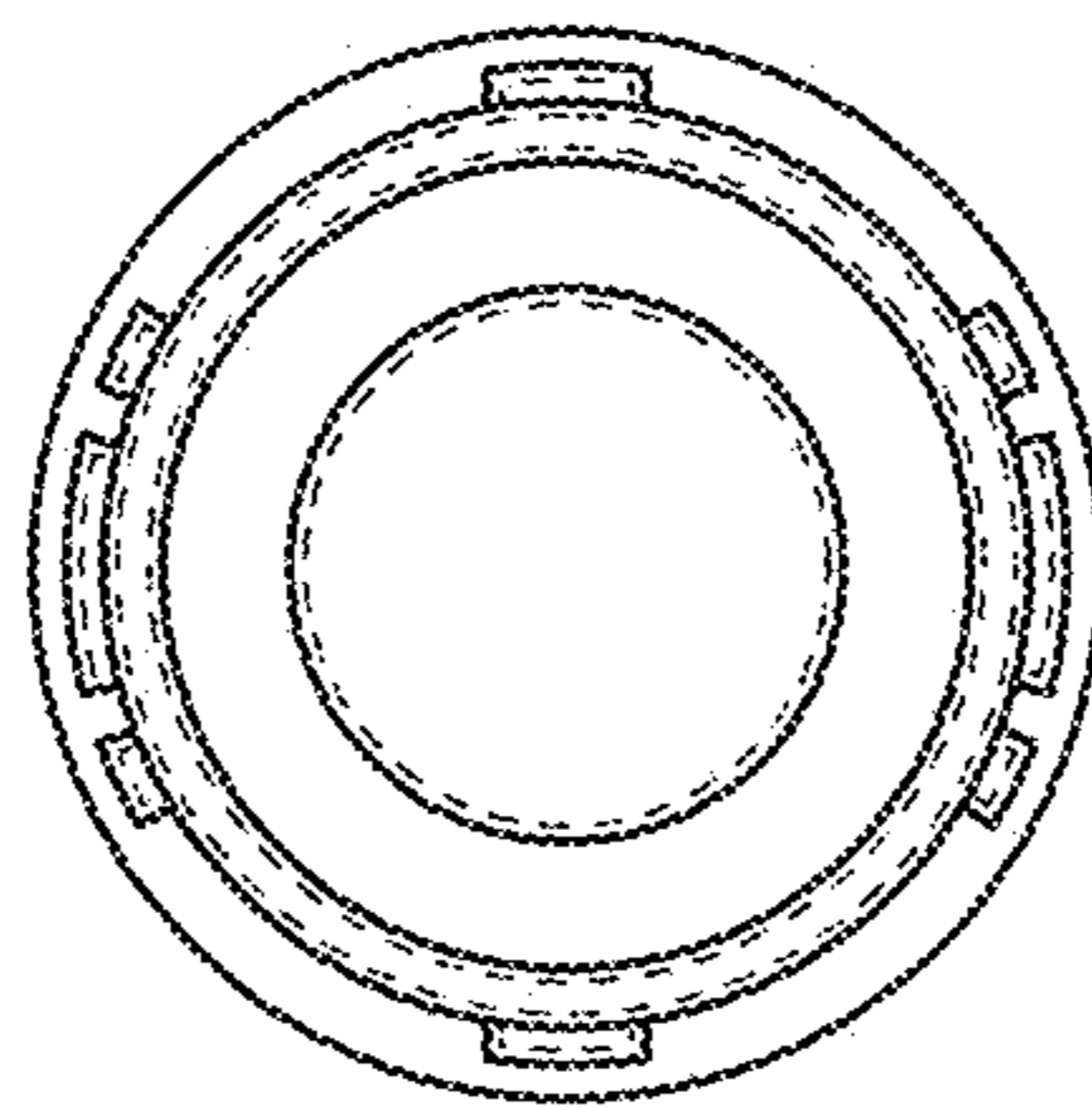


FIG. 56

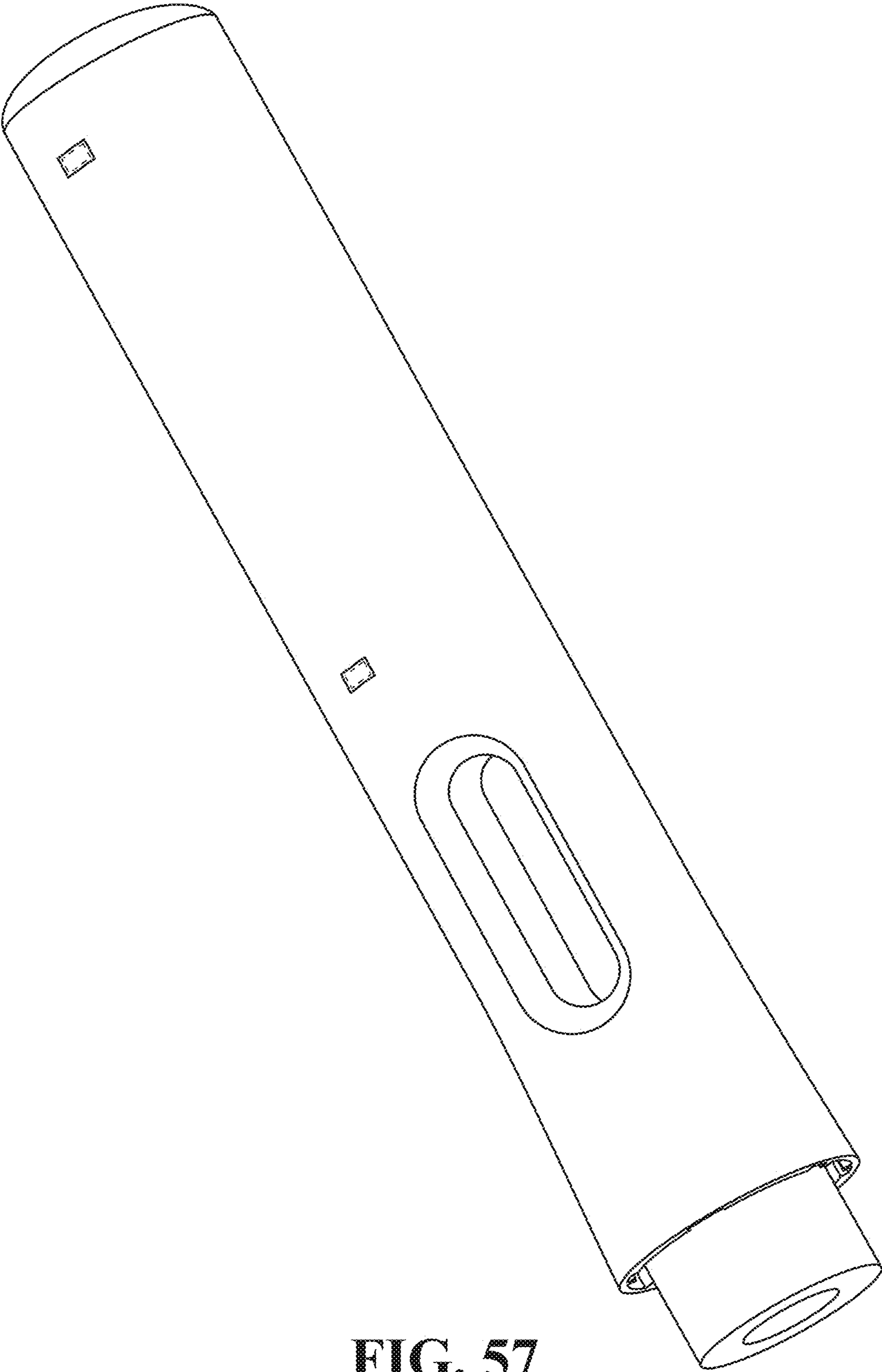


FIG. 57

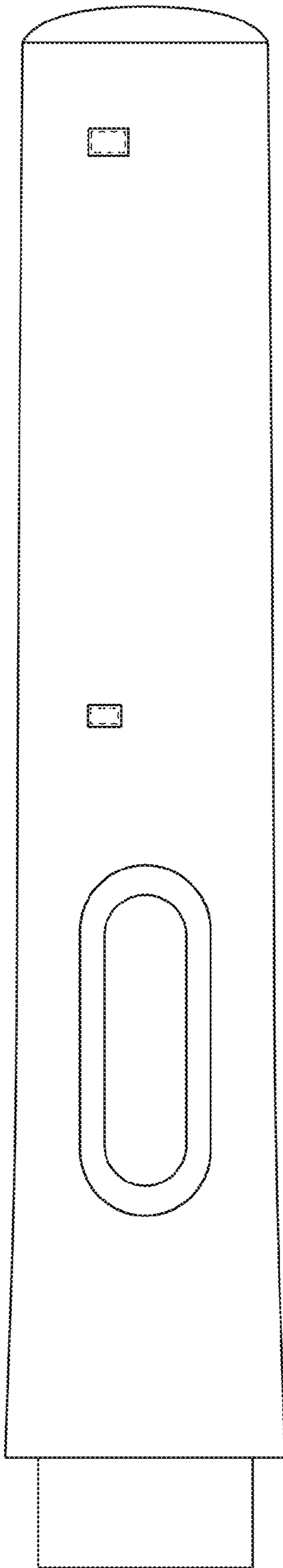


FIG. 58

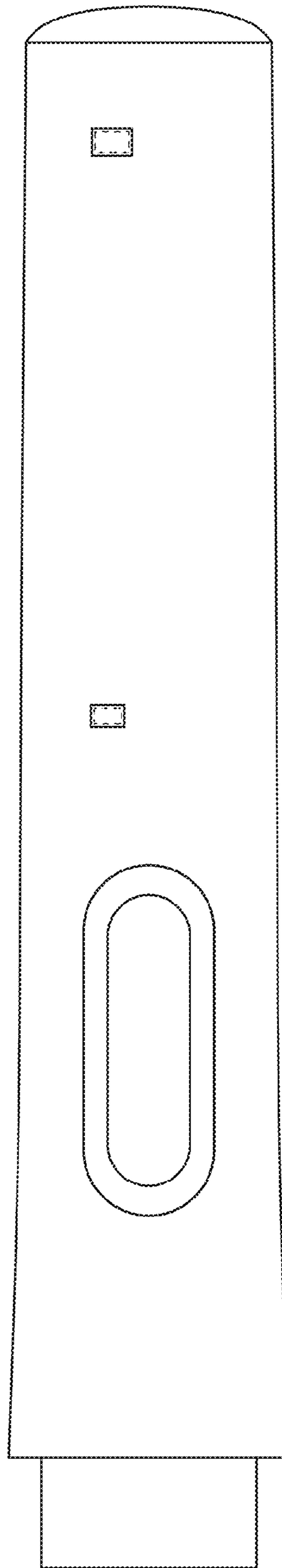


FIG. 59

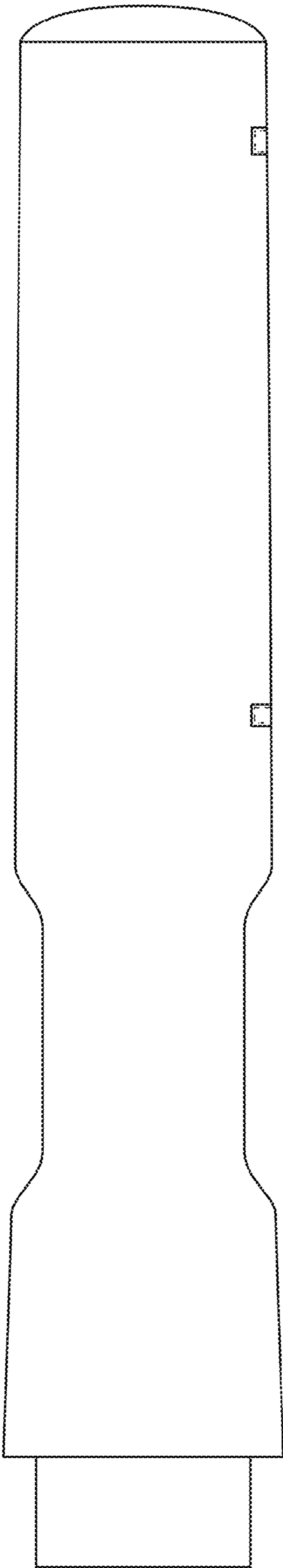


FIG. 60

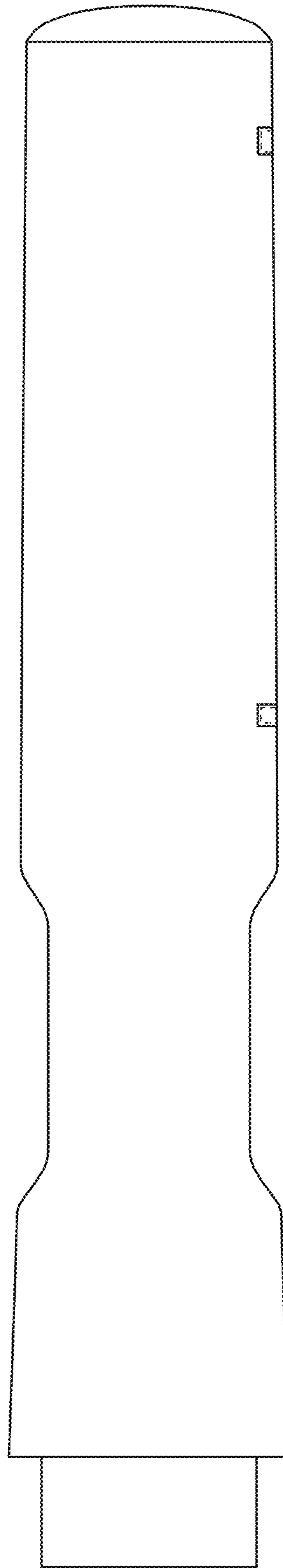


FIG. 61

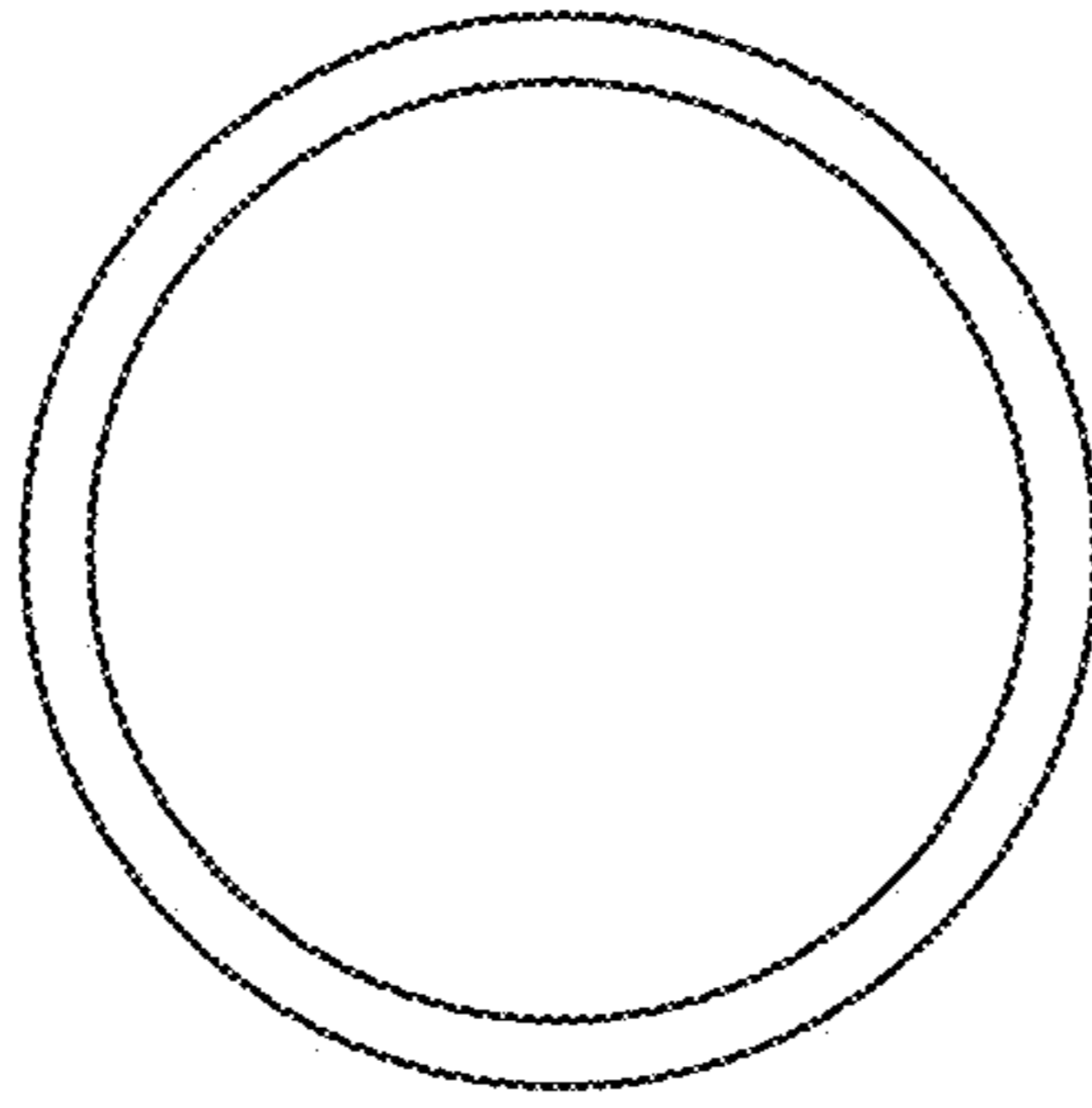


FIG. 62

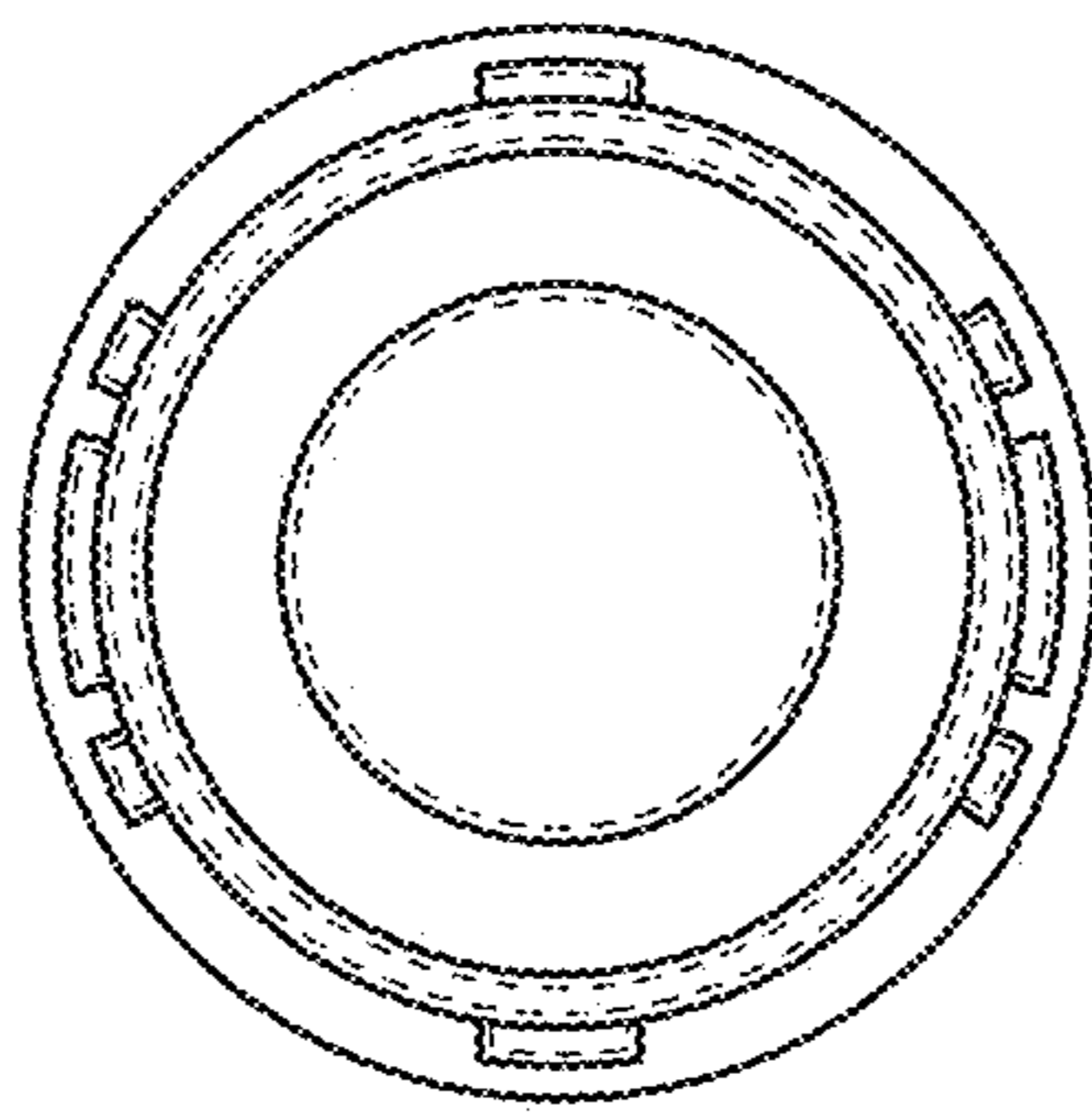


FIG. 63

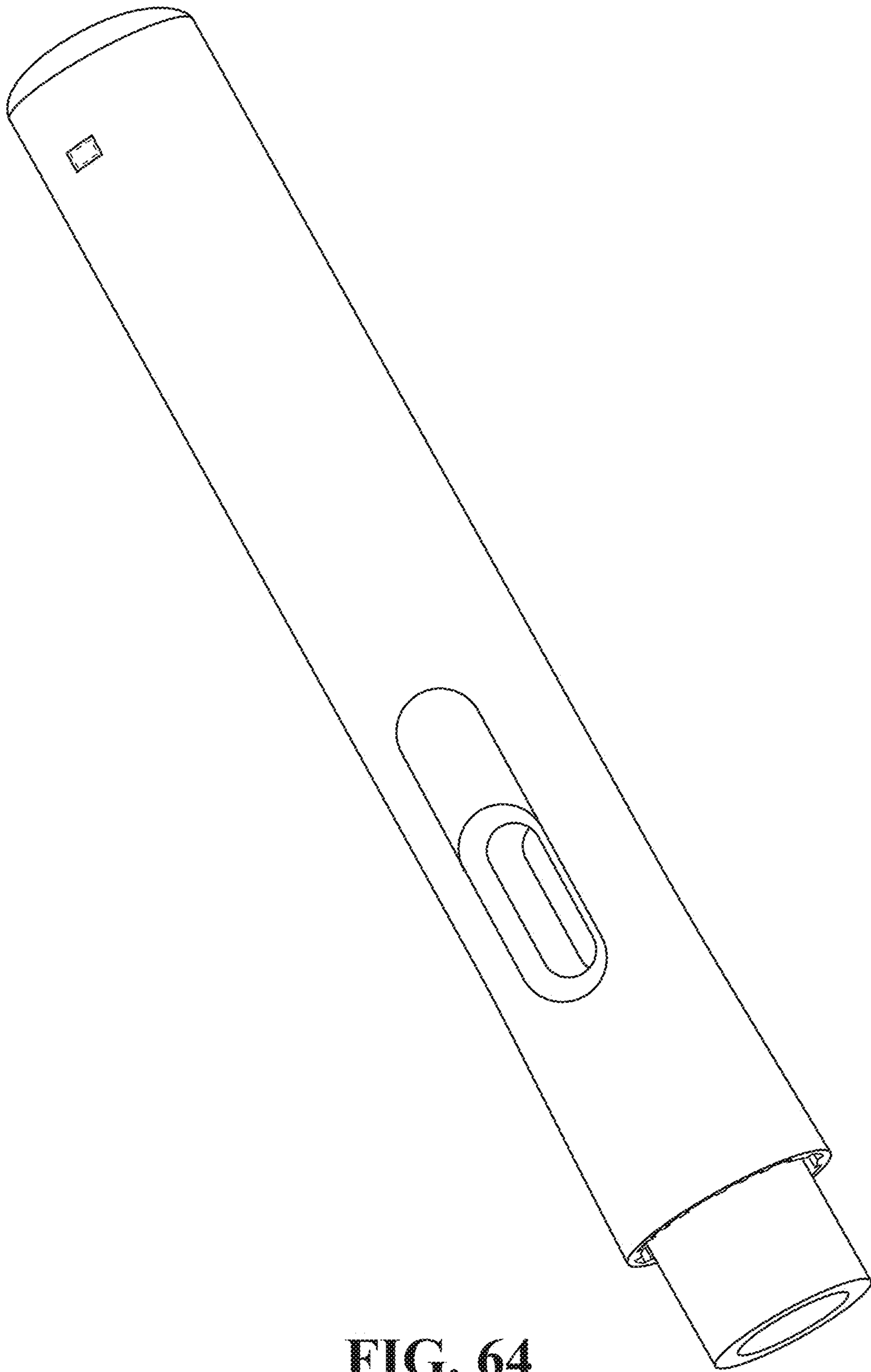


FIG. 64

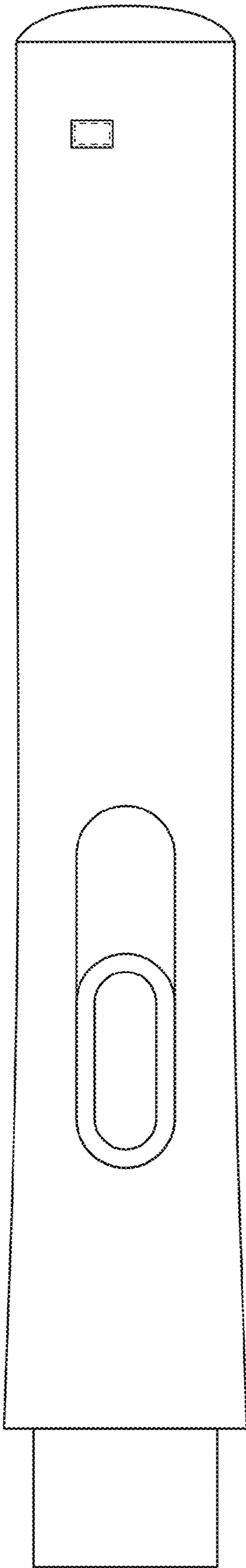


FIG. 65

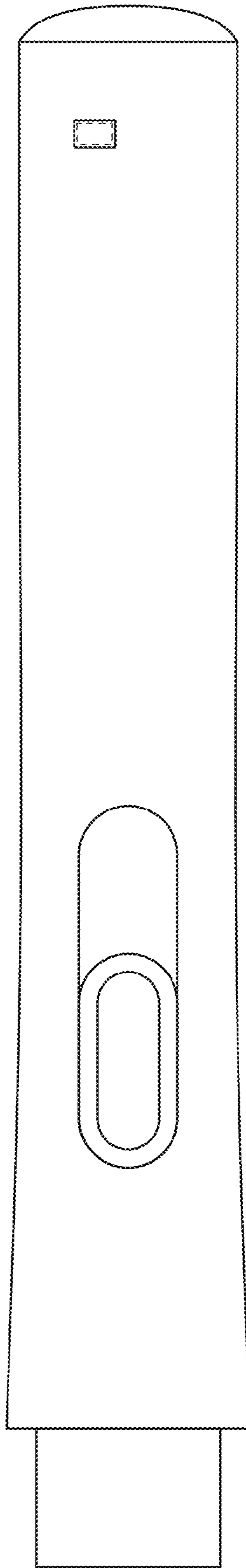


FIG. 66

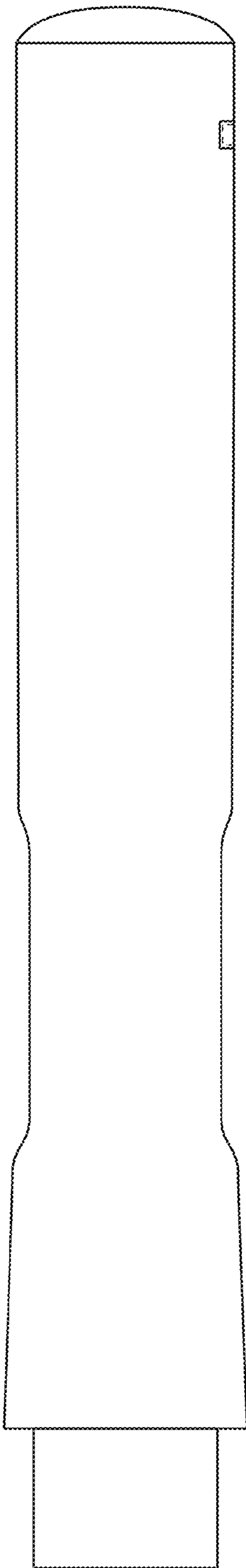


FIG. 67

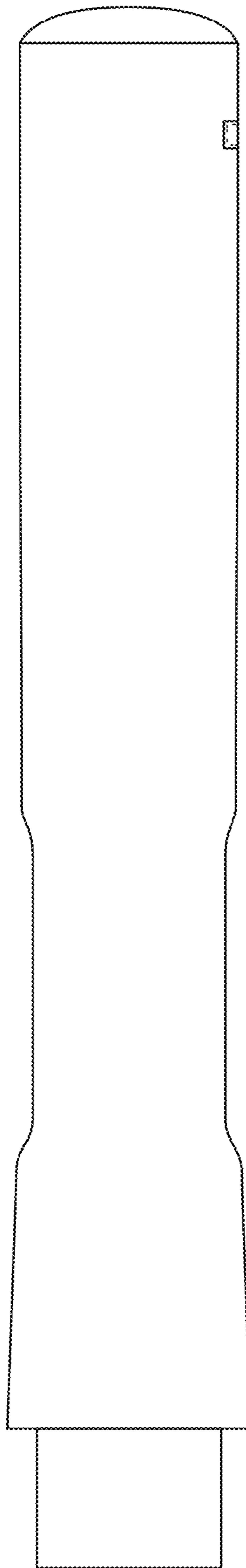


FIG. 68

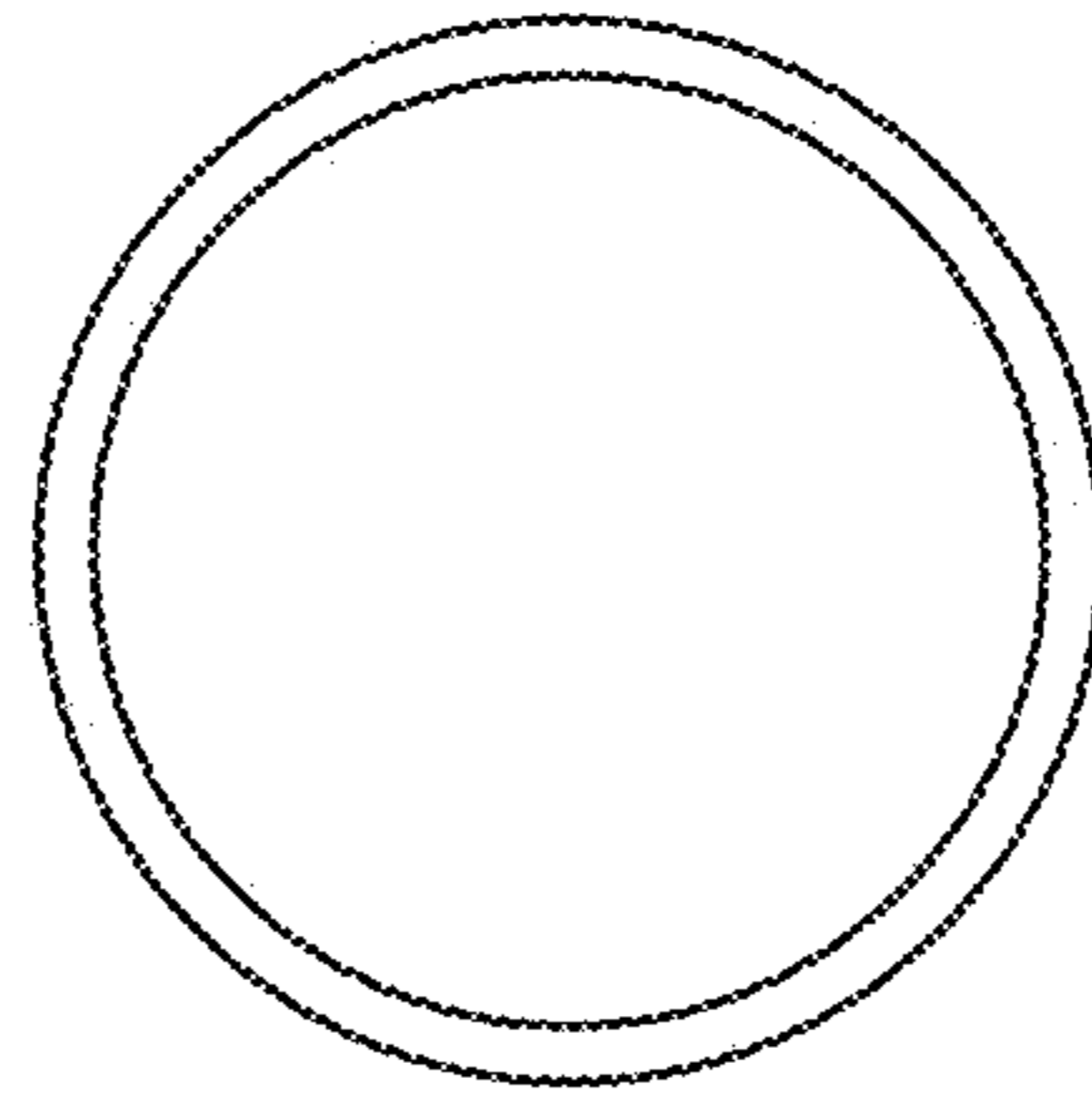


FIG. 69

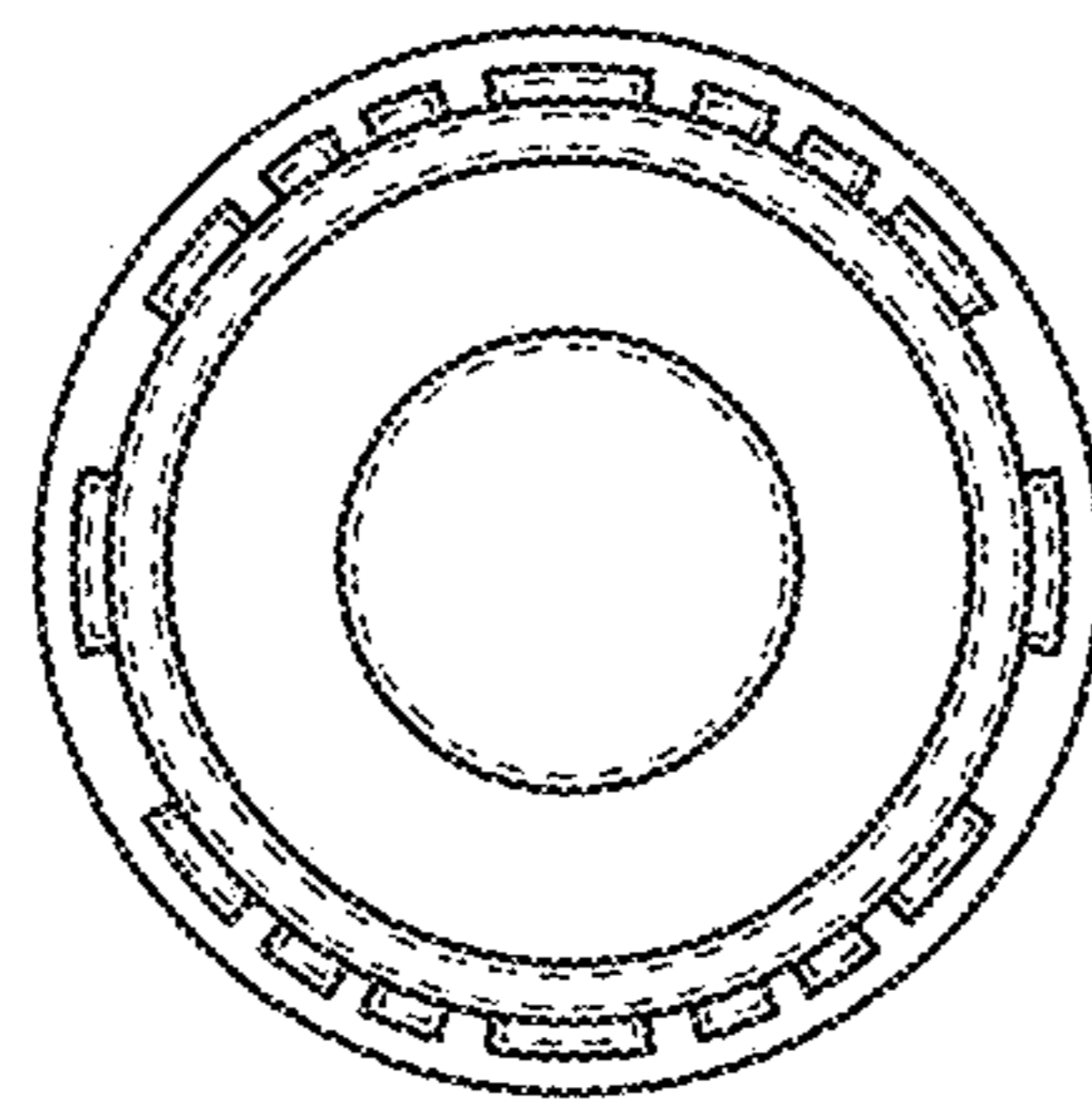


FIG. 70

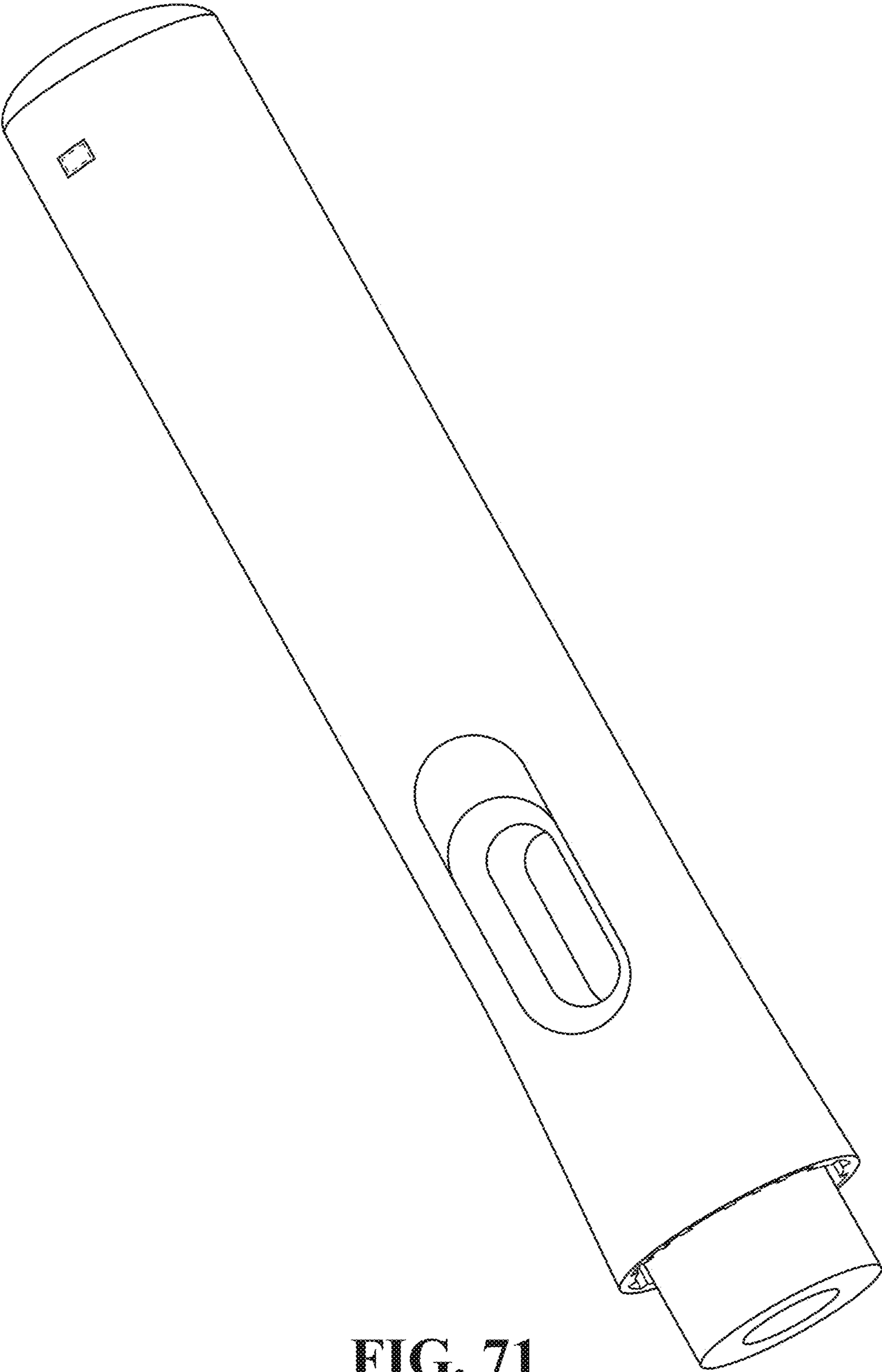


FIG. 71

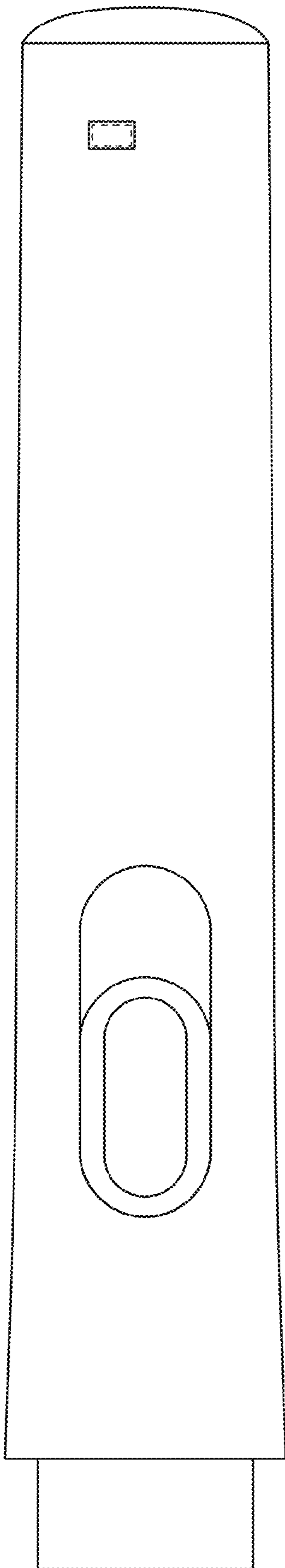


FIG. 72

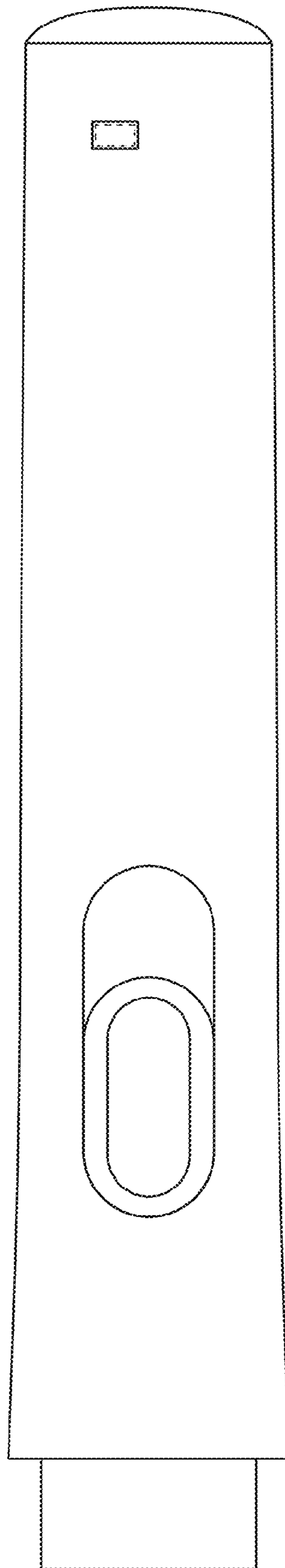


FIG. 73

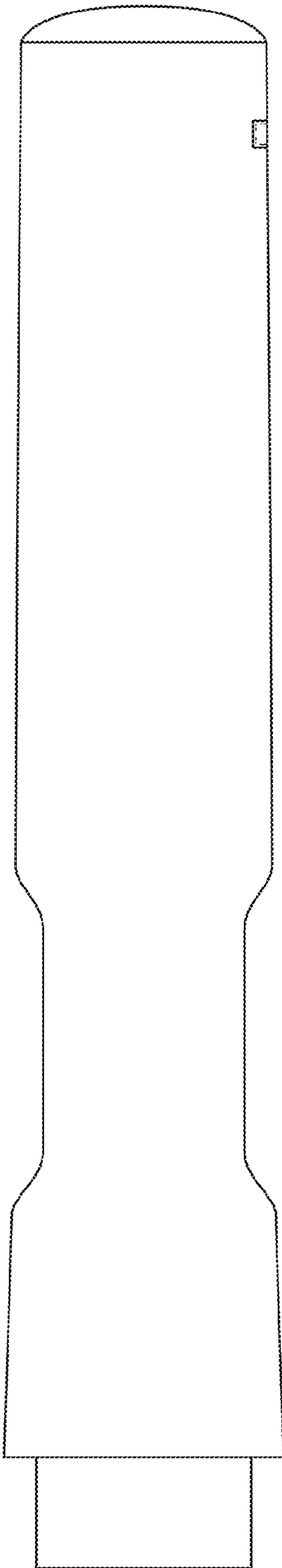


FIG. 74

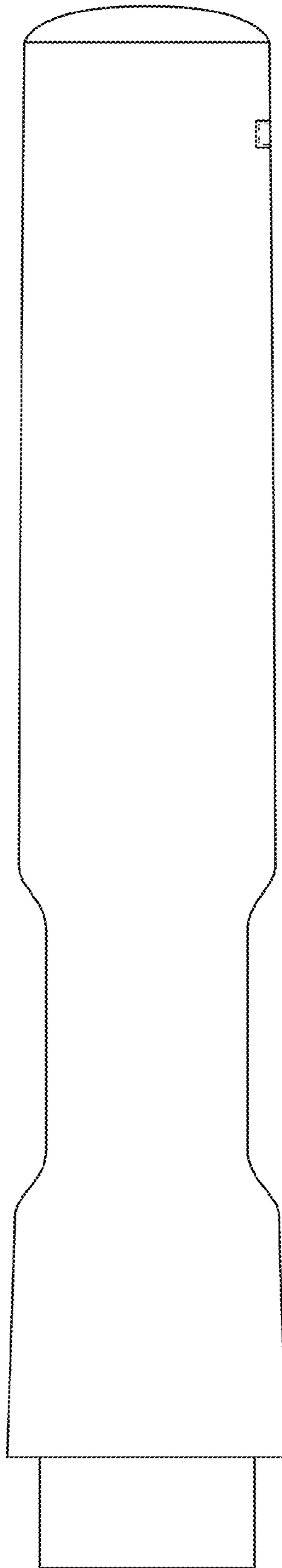


FIG. 75

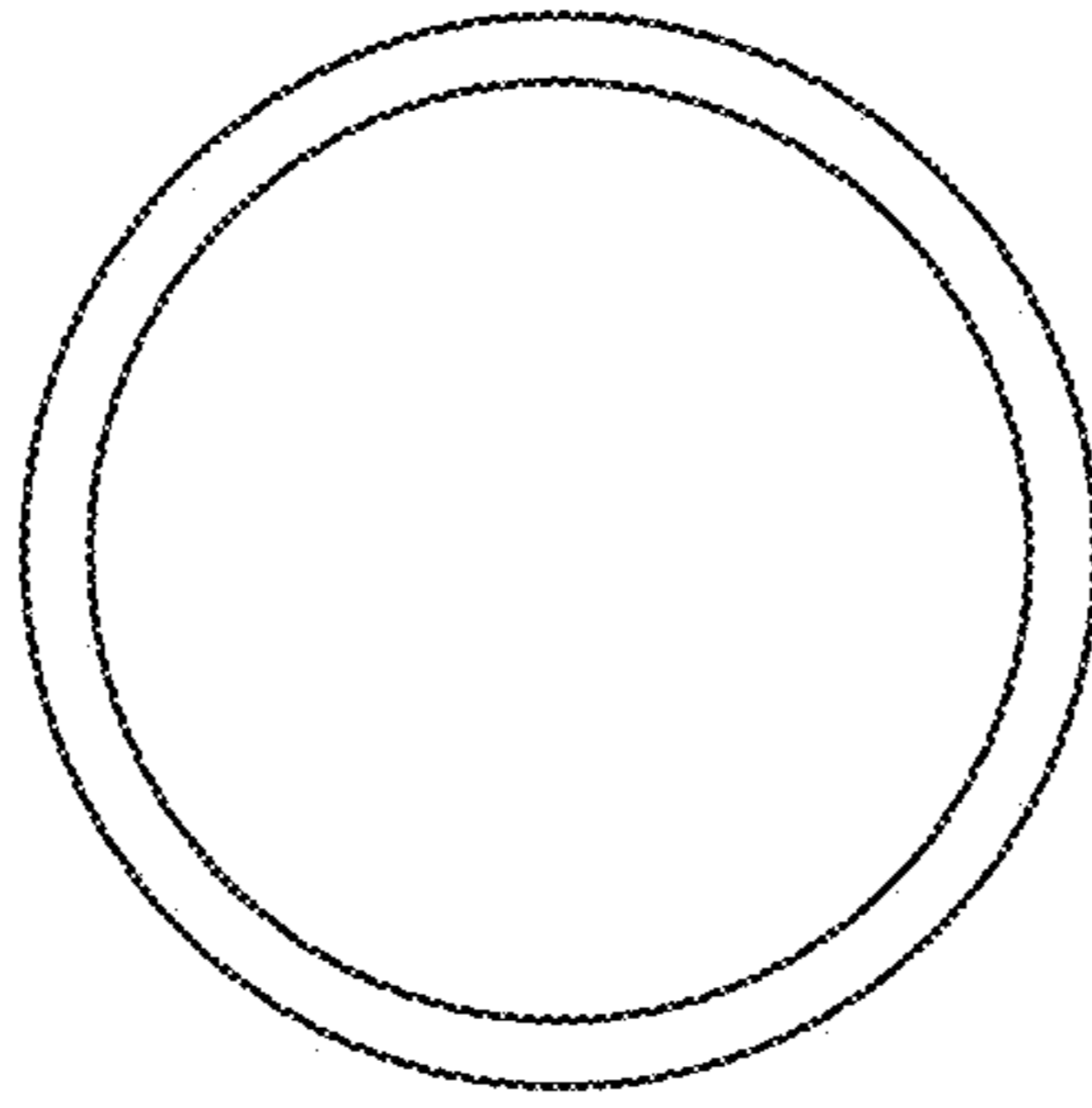


FIG. 76

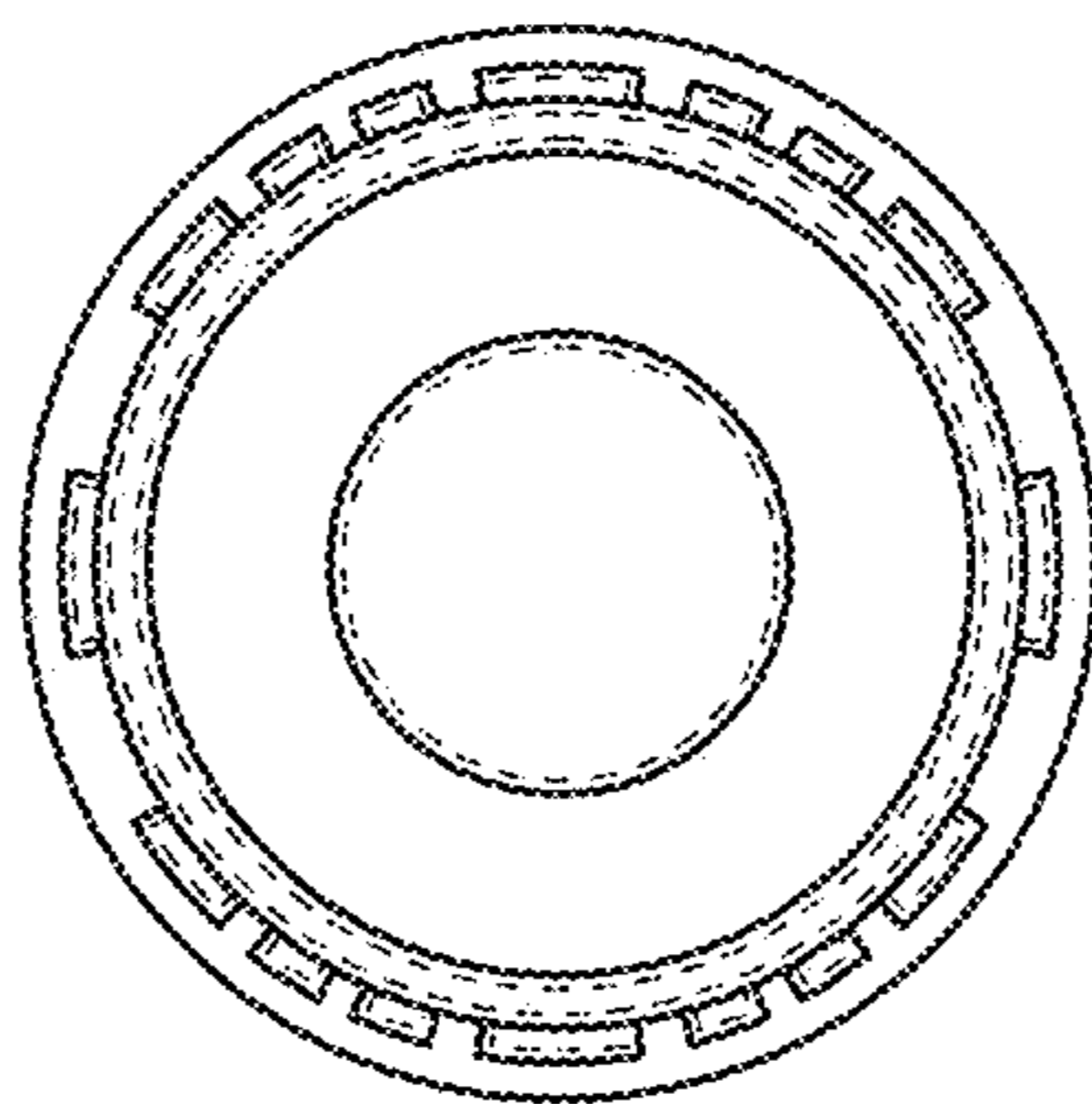


FIG. 77

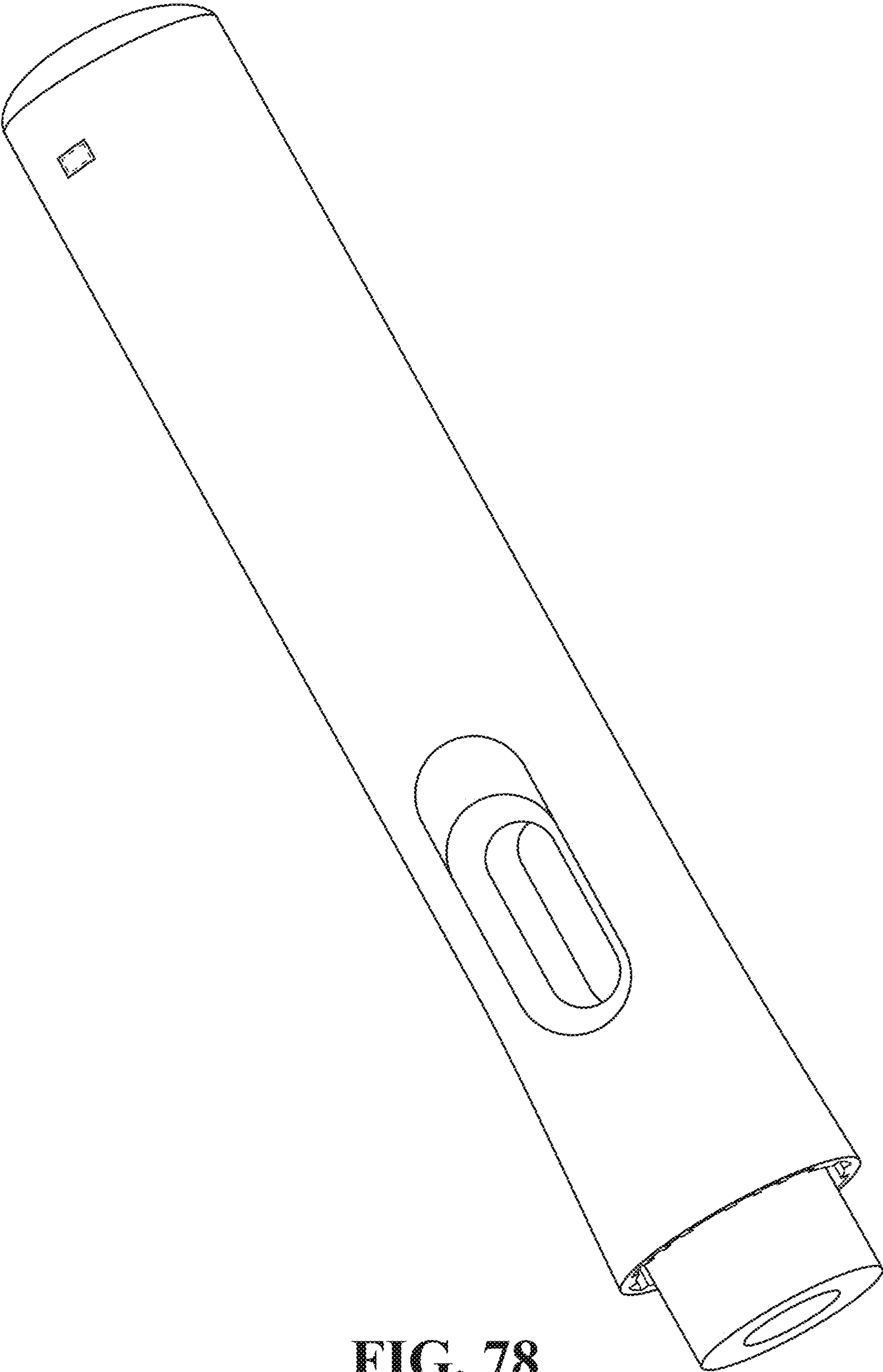


FIG. 78

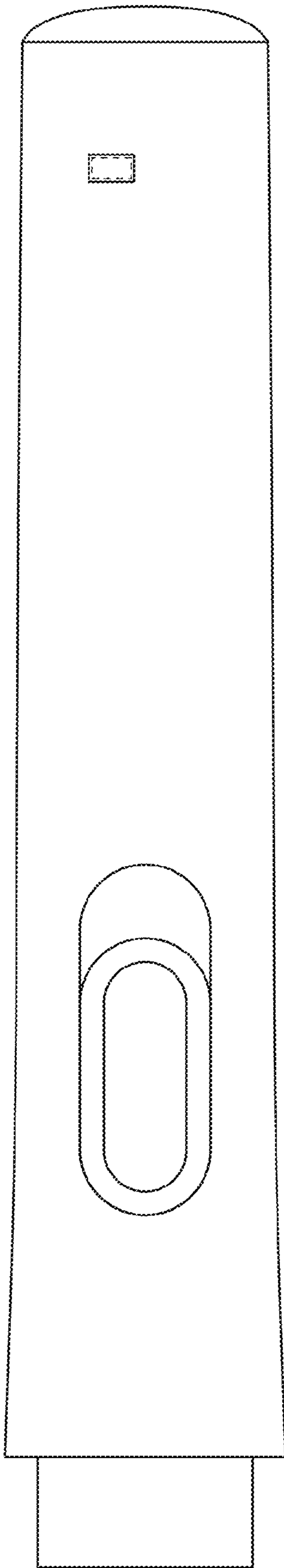


FIG. 79

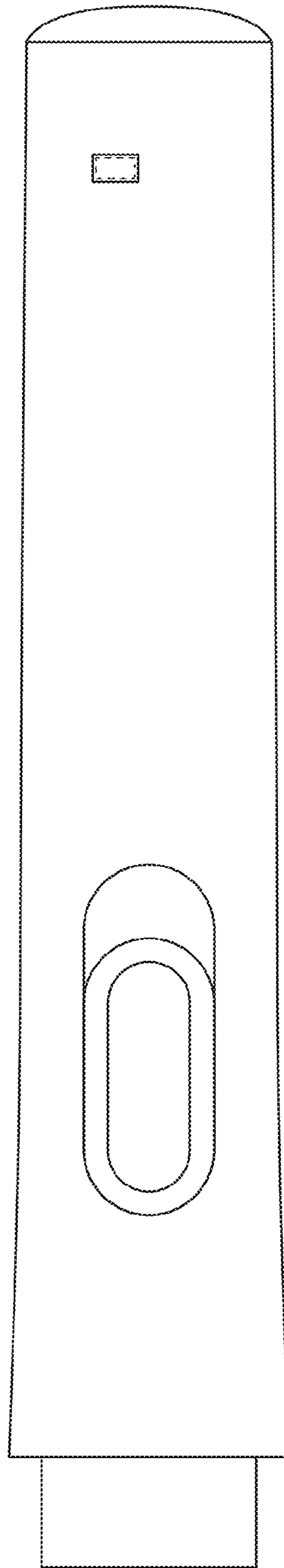


FIG. 80

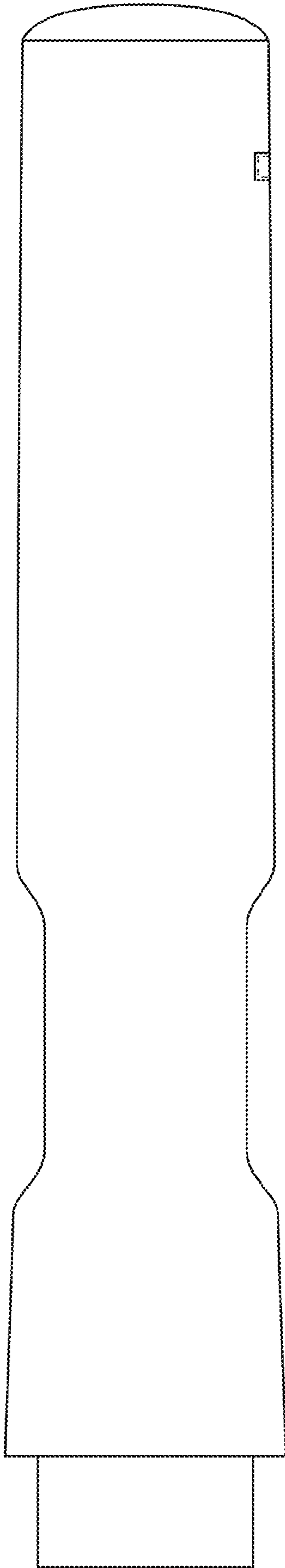


FIG. 81

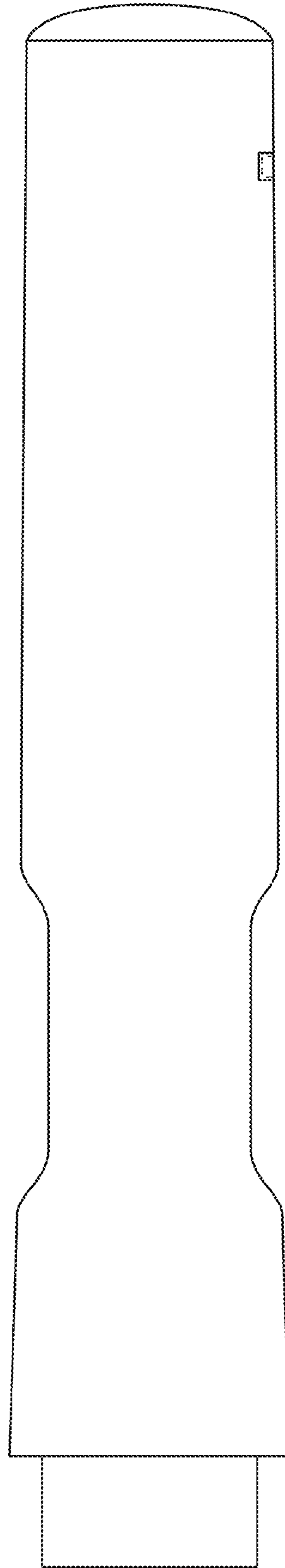


FIG. 82

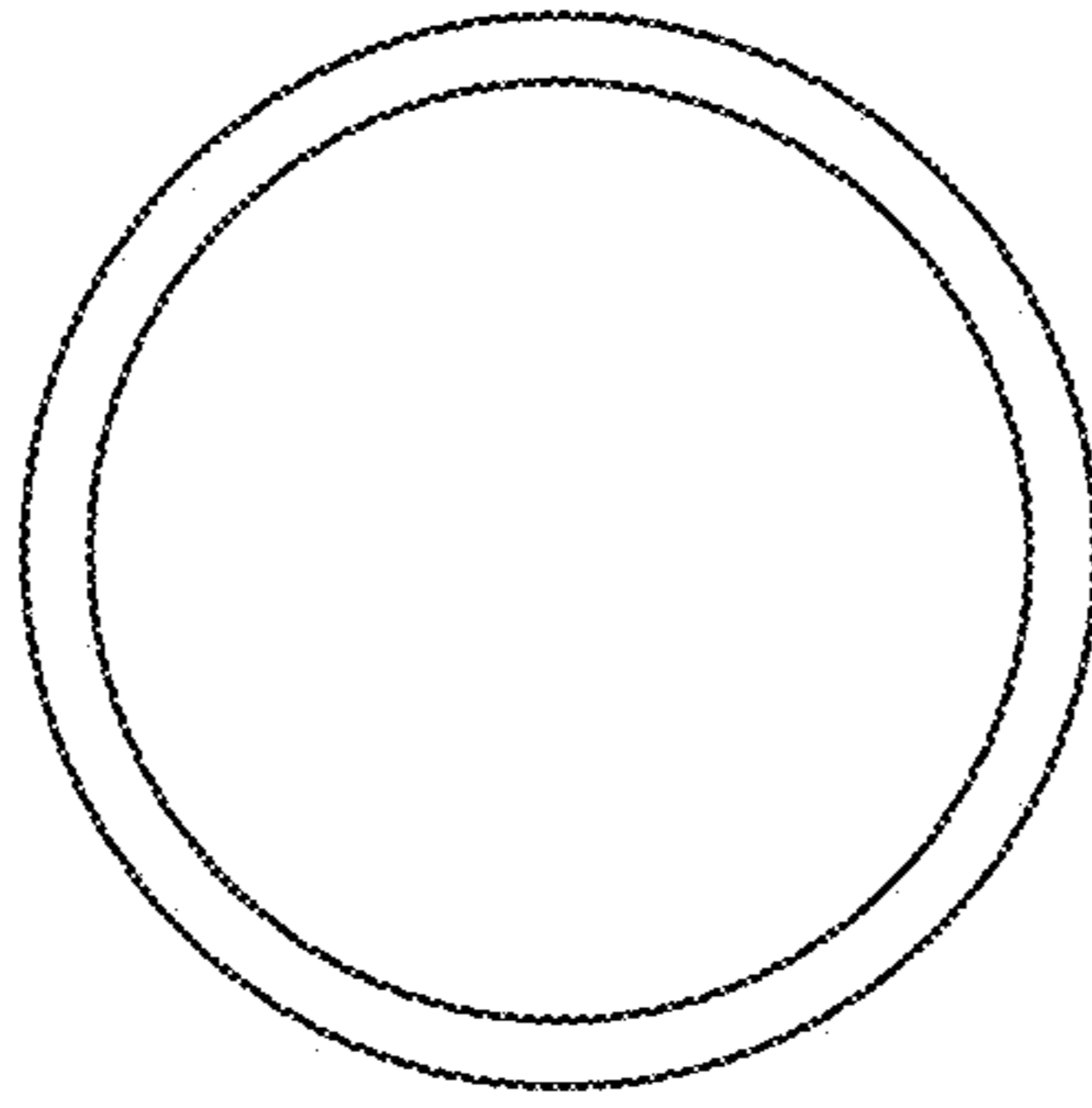


FIG. 83

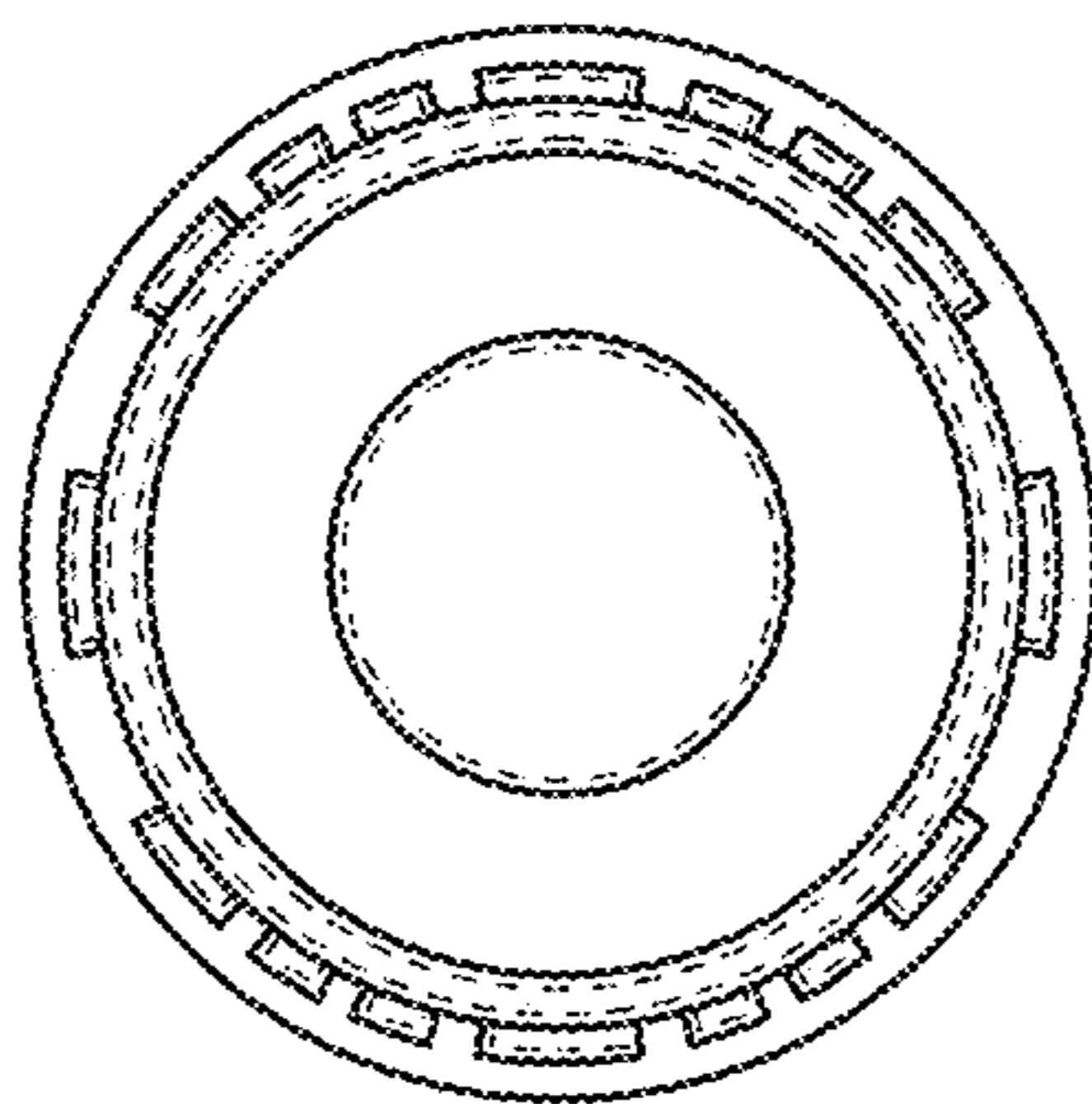


FIG. 84

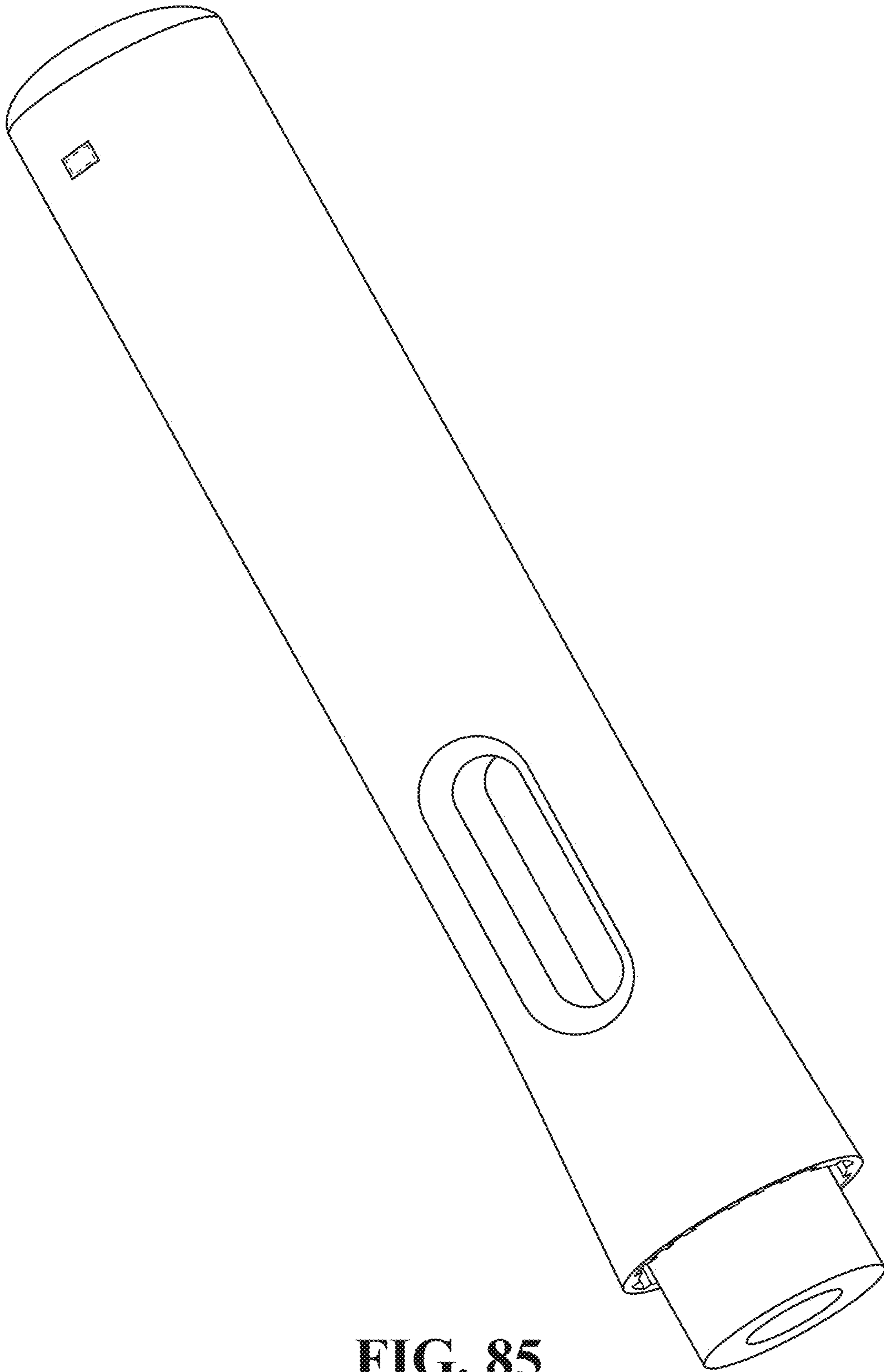


FIG. 85

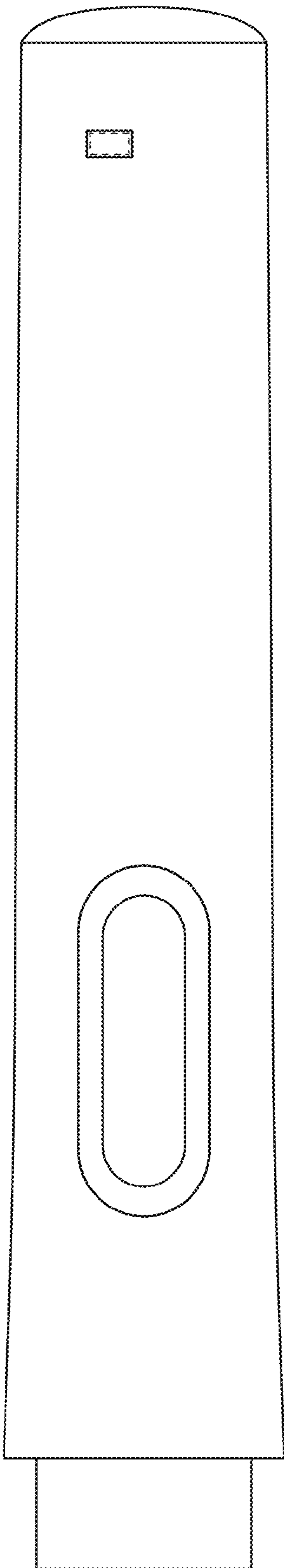


FIG. 86

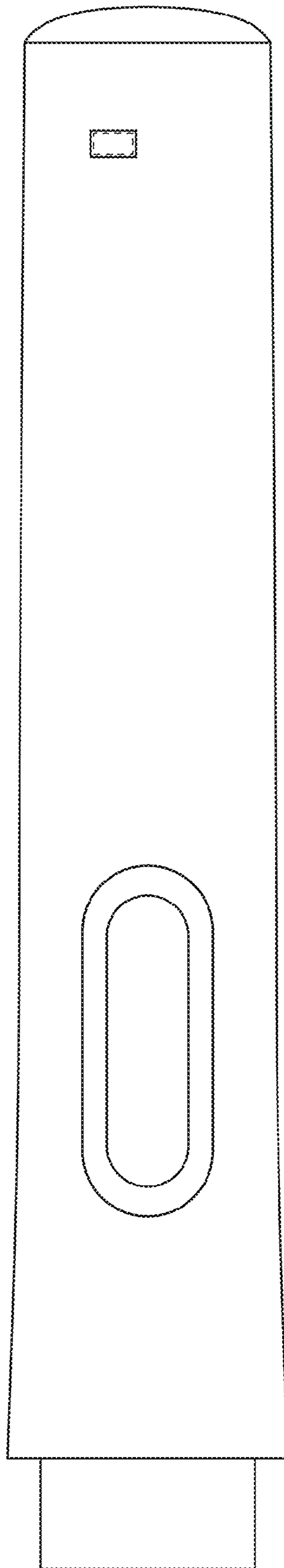


FIG. 87

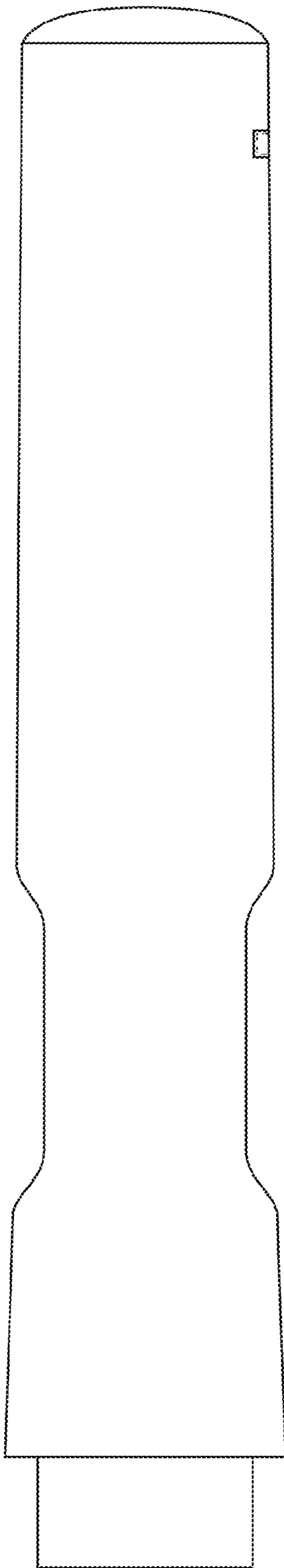


FIG. 88

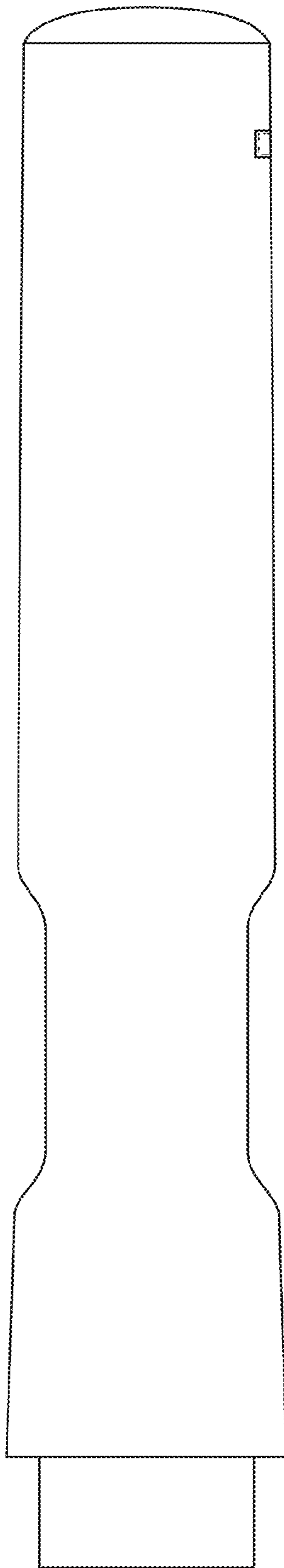


FIG. 89

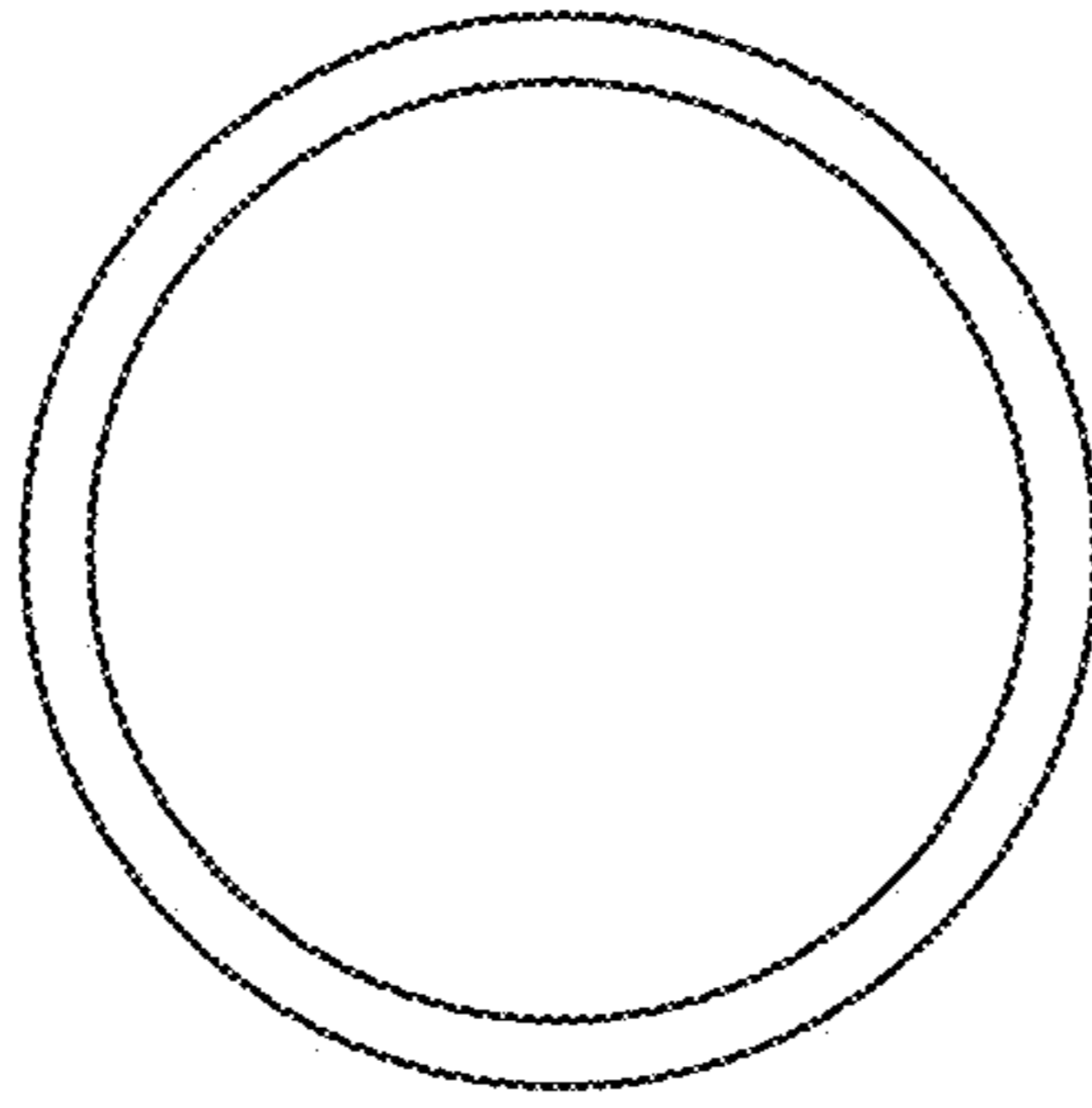


FIG. 90

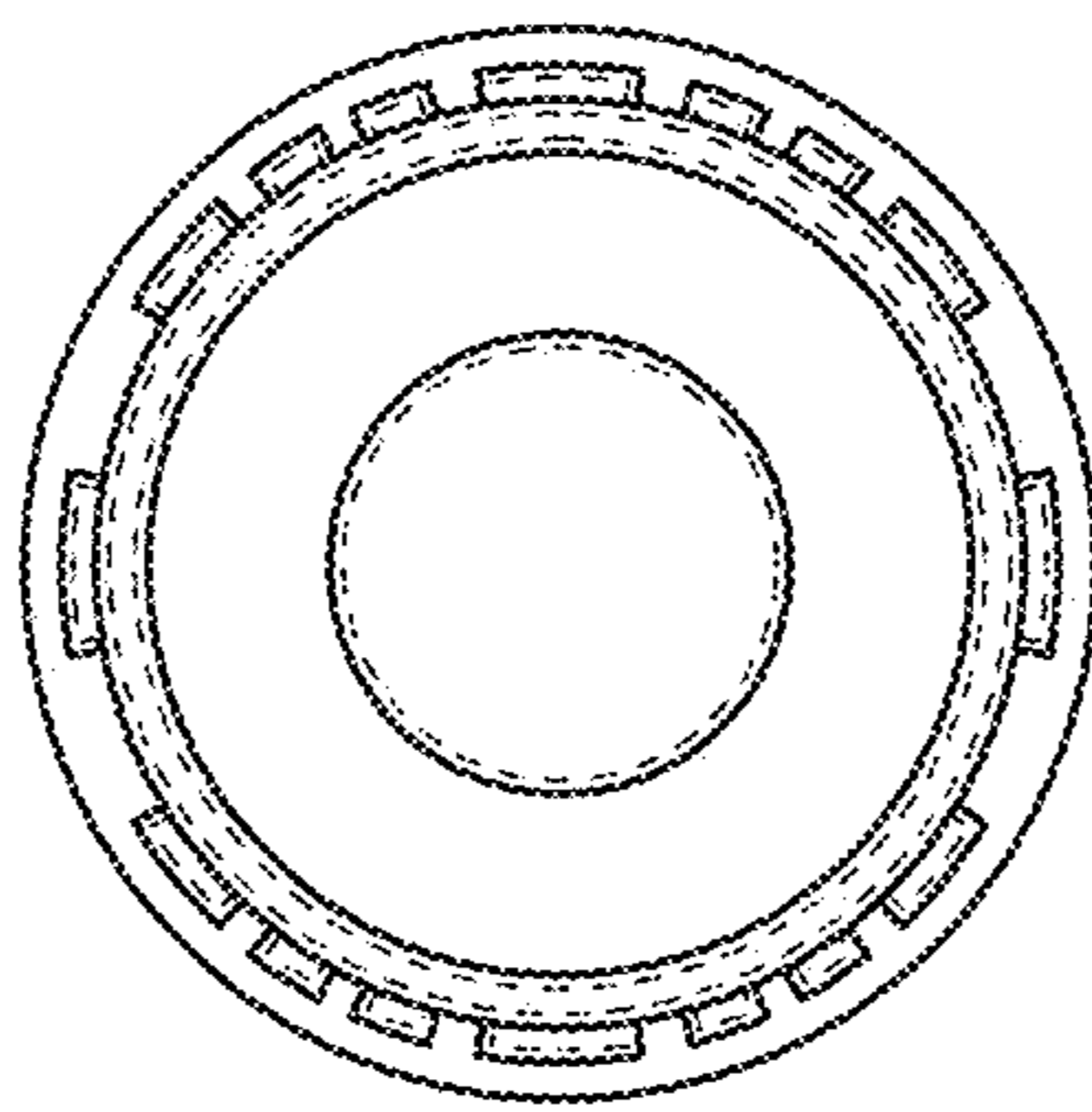


FIG. 91

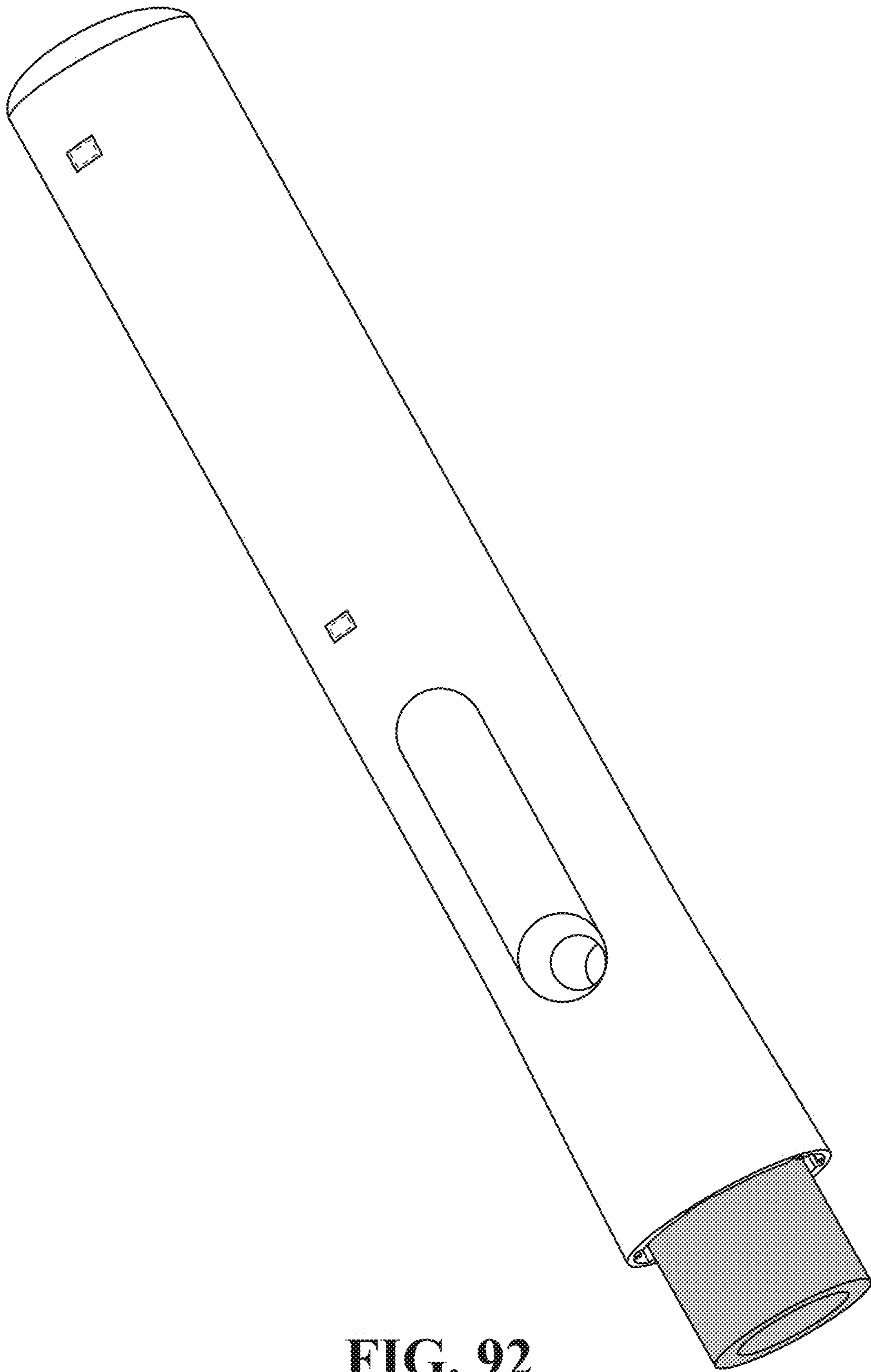


FIG. 92

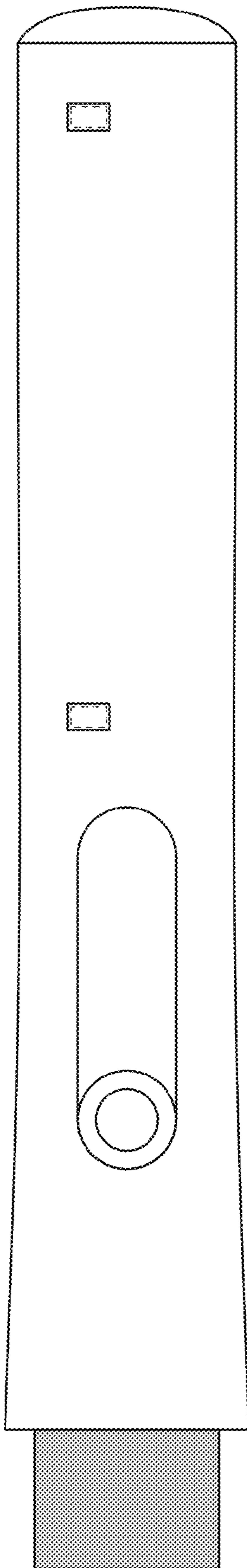


FIG. 93

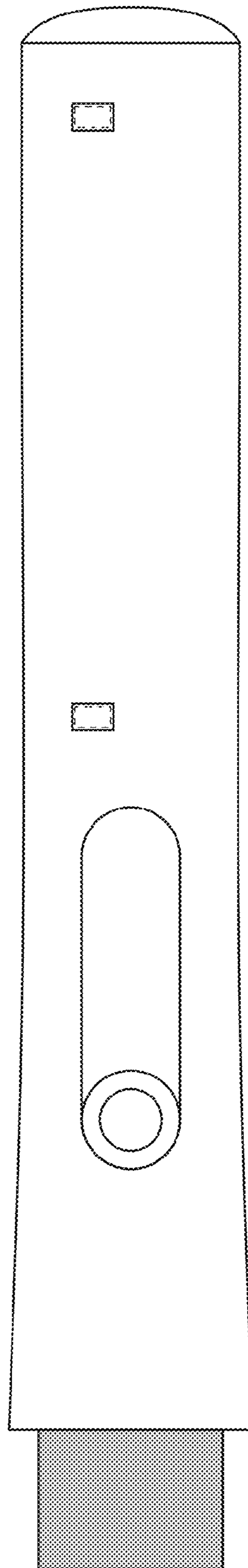


FIG. 94

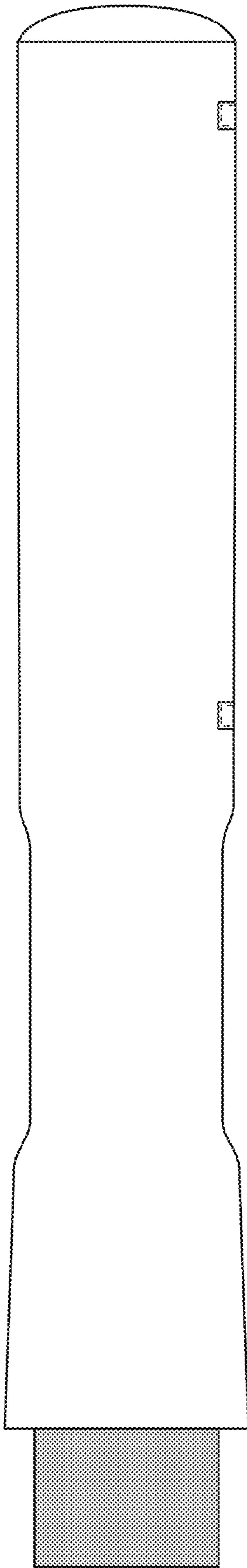


FIG. 95

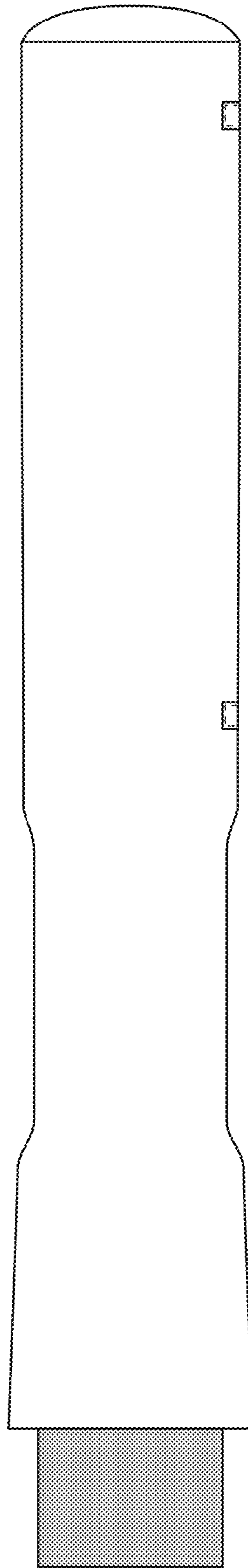


FIG. 96

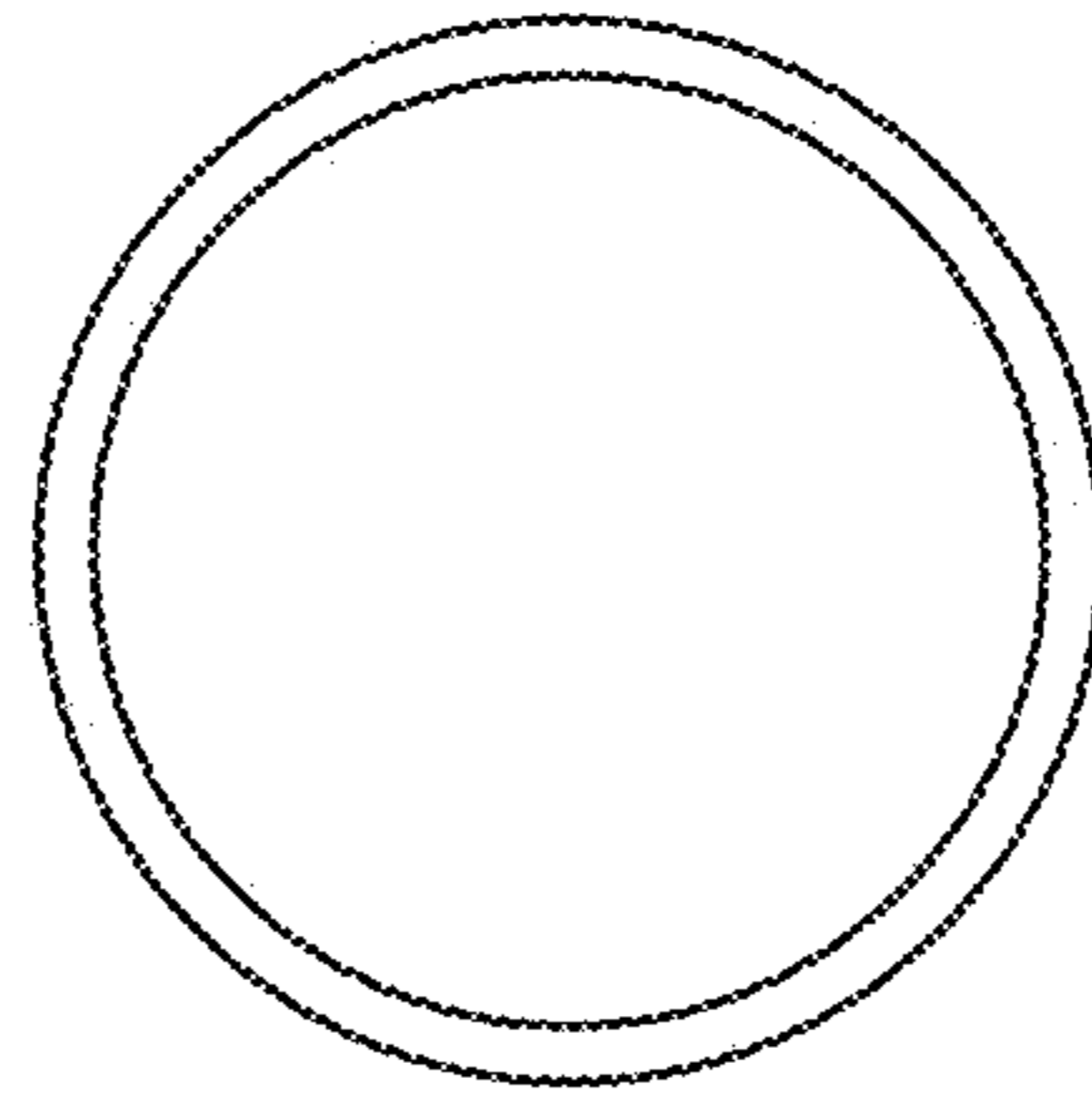


FIG. 97

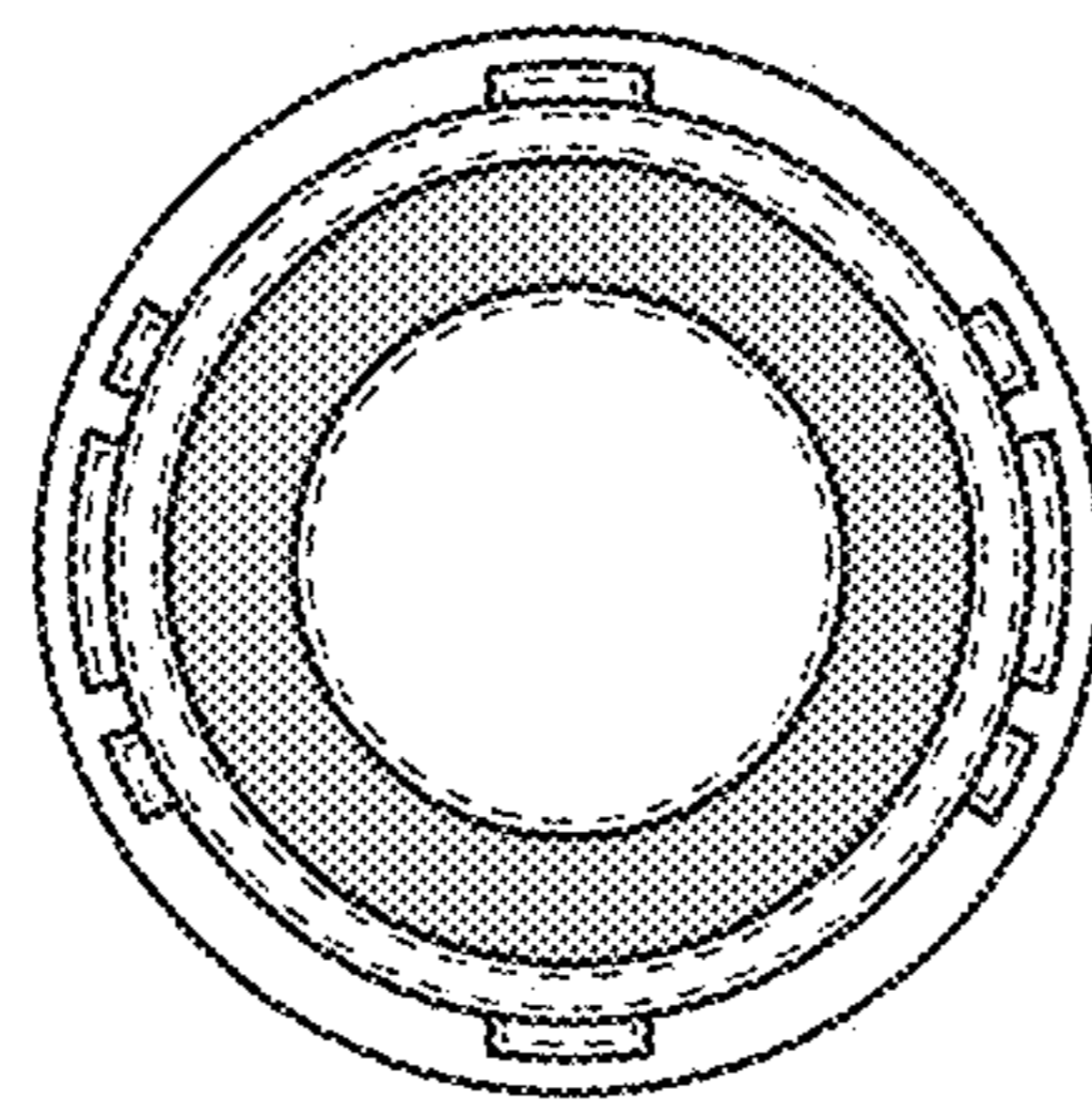


FIG. 98

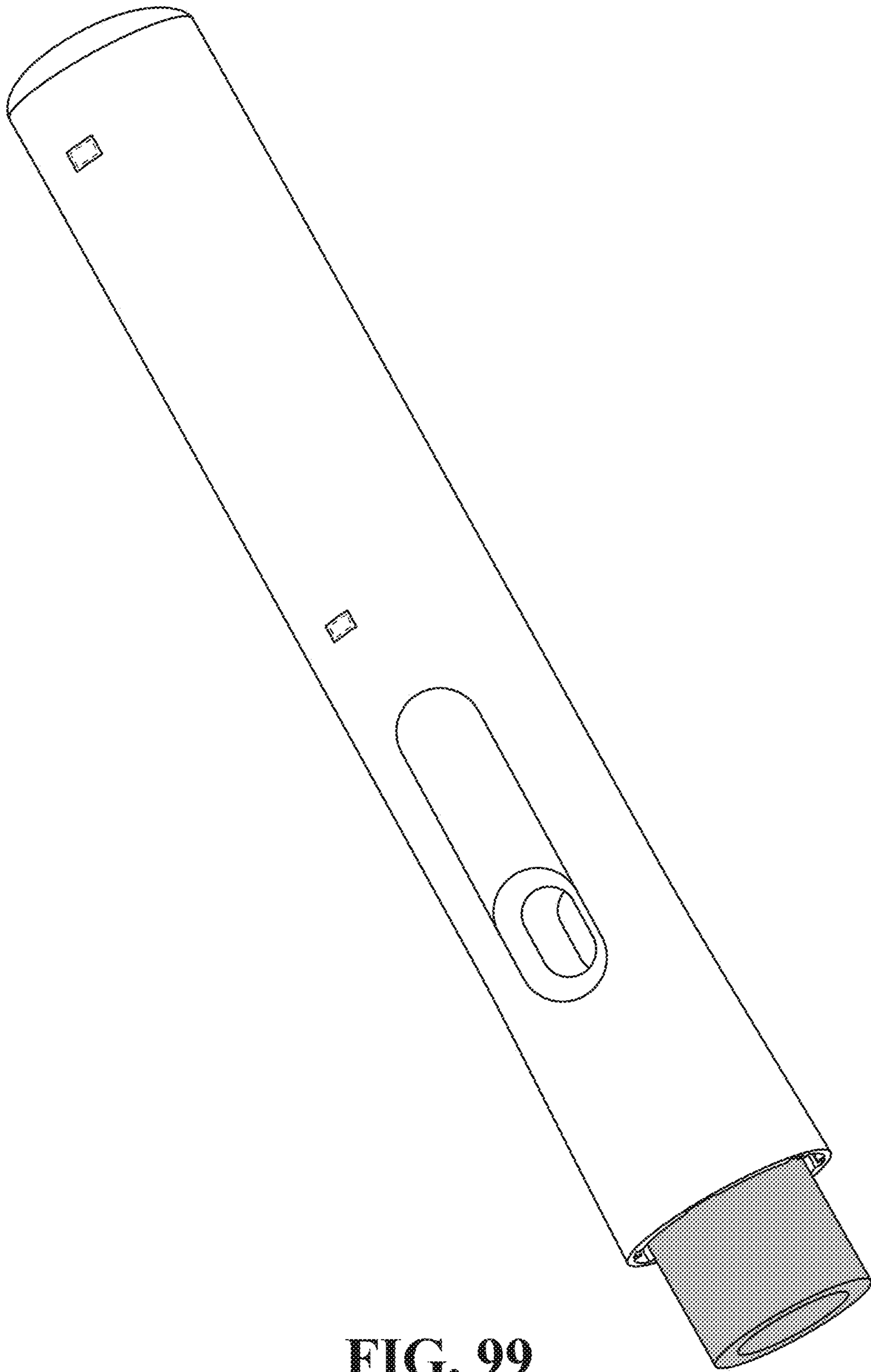


FIG. 99

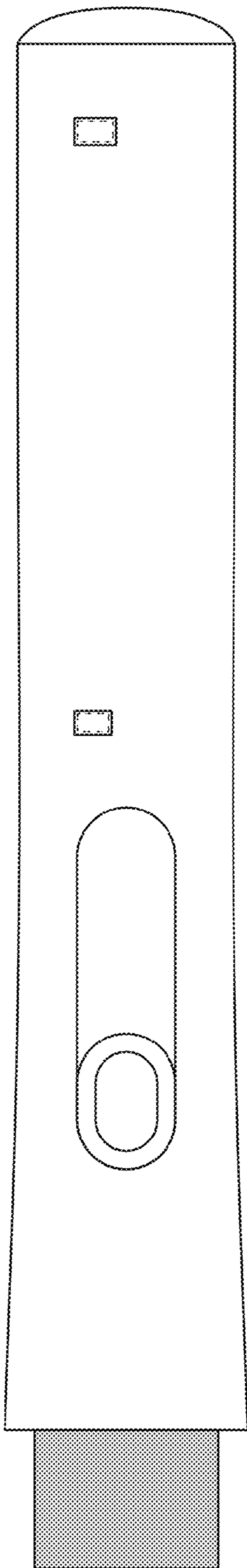


FIG. 100

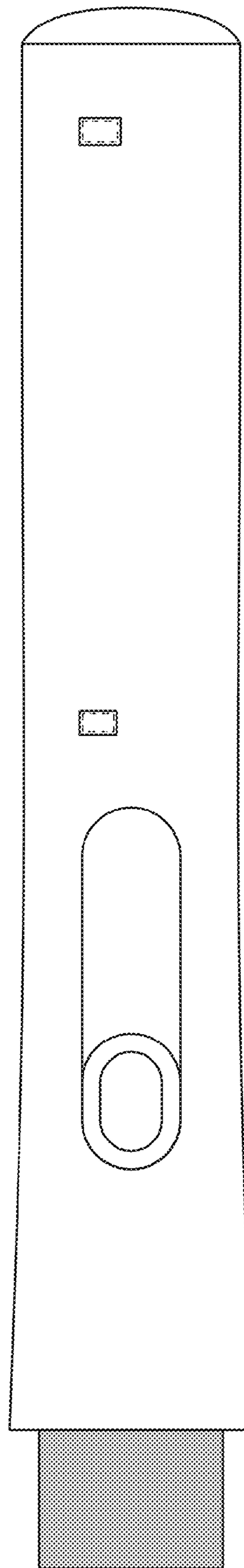


FIG. 101

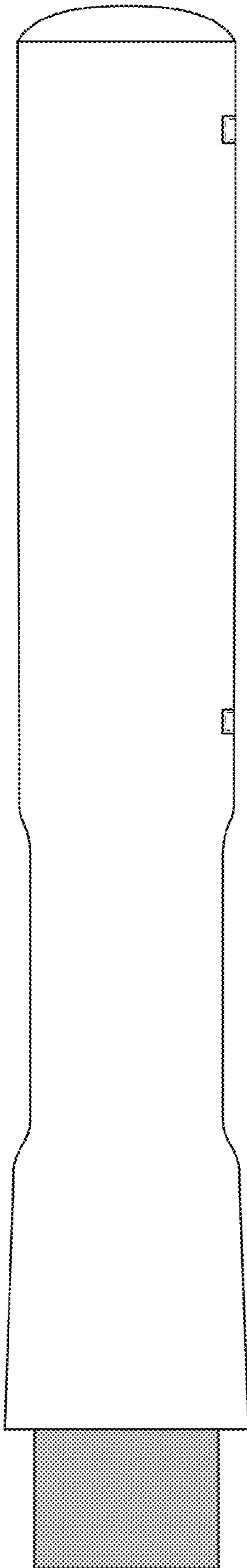


FIG. 102

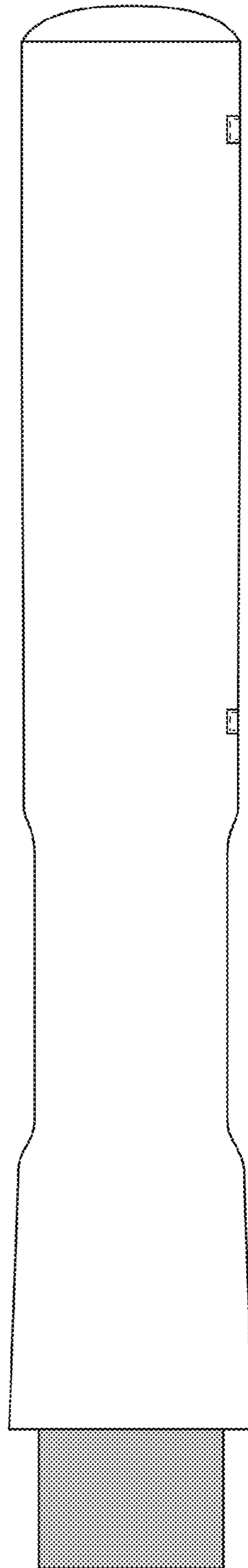


FIG. 103

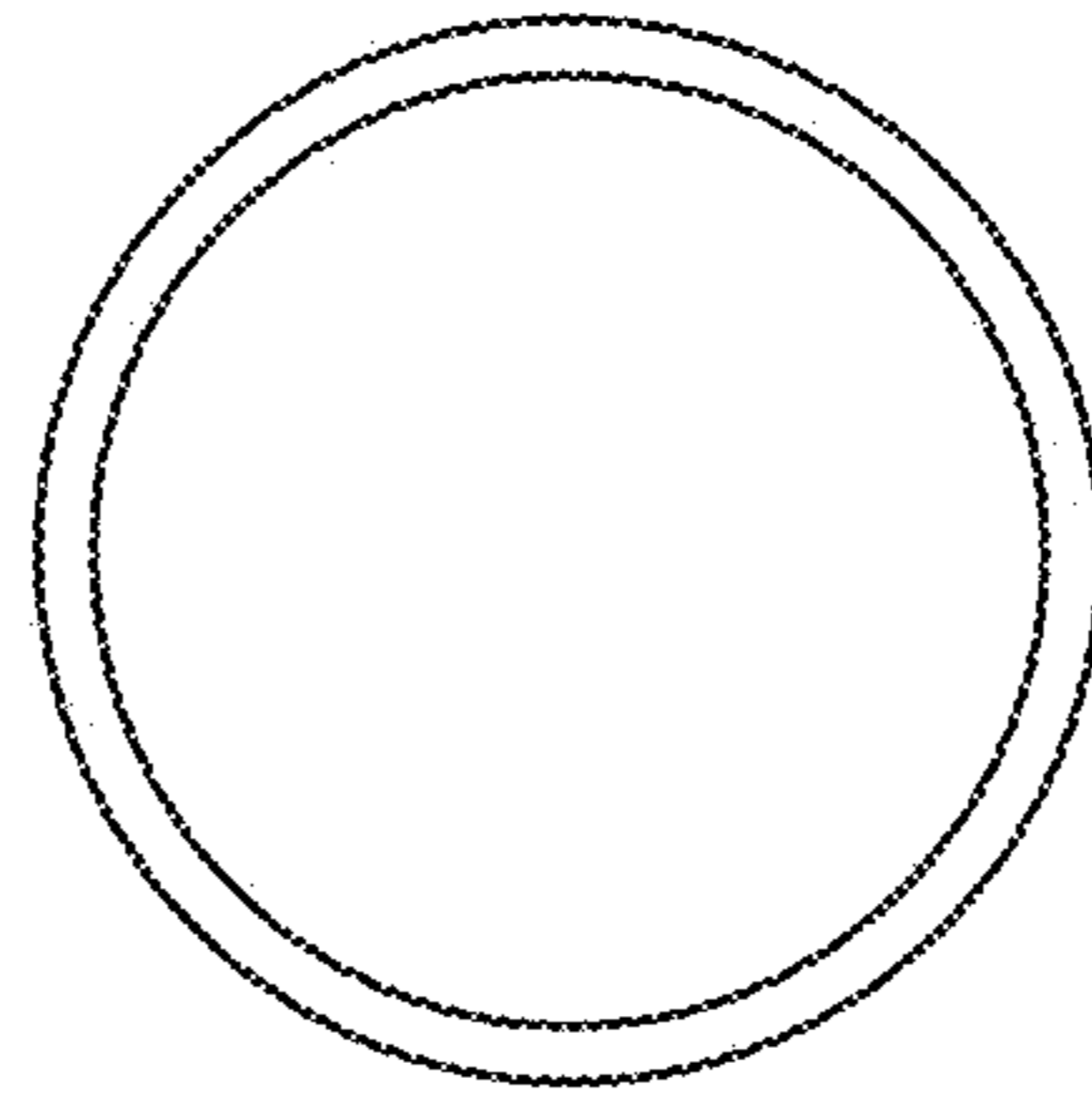


FIG. 104

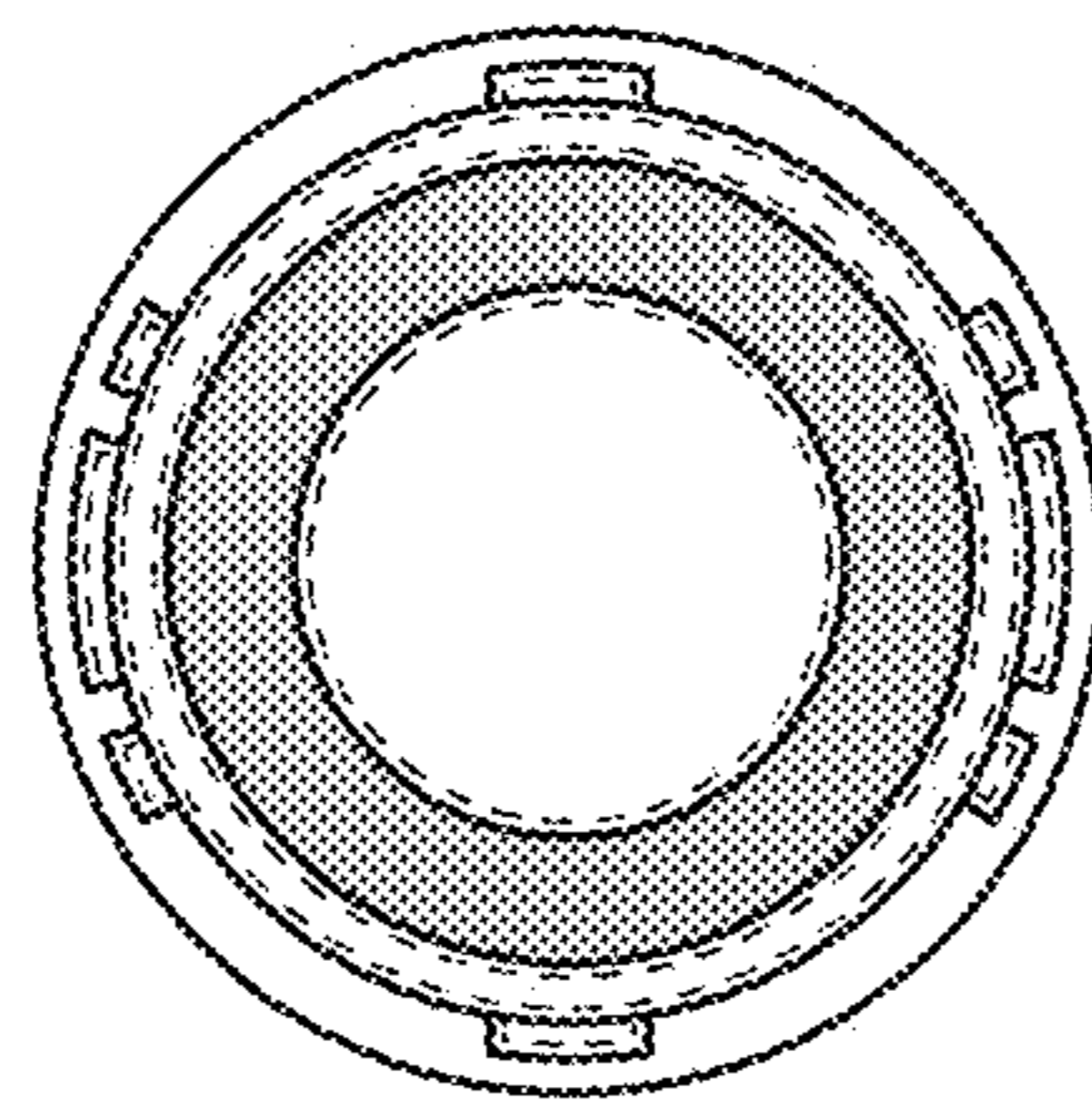


FIG. 105

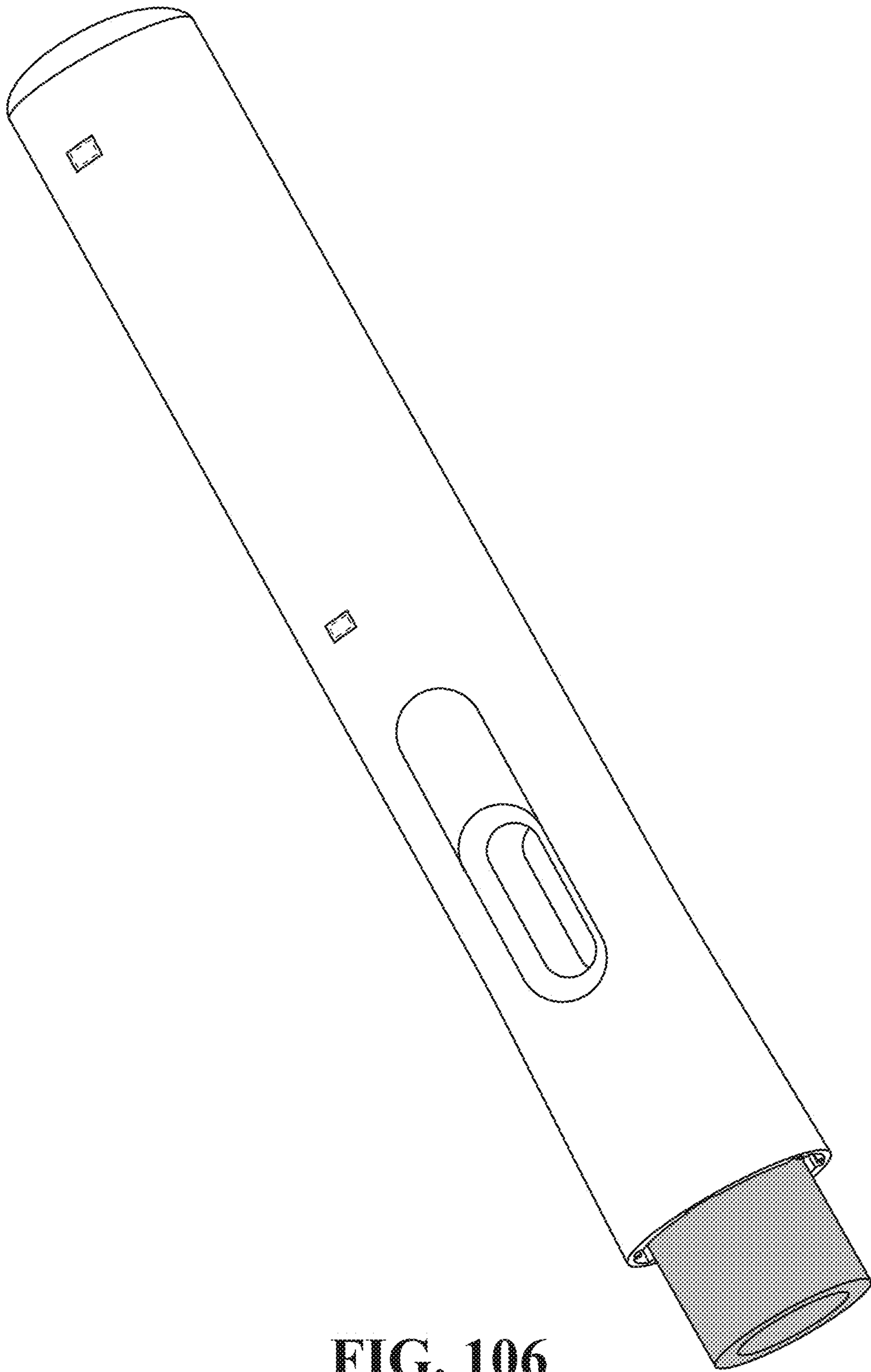


FIG. 106

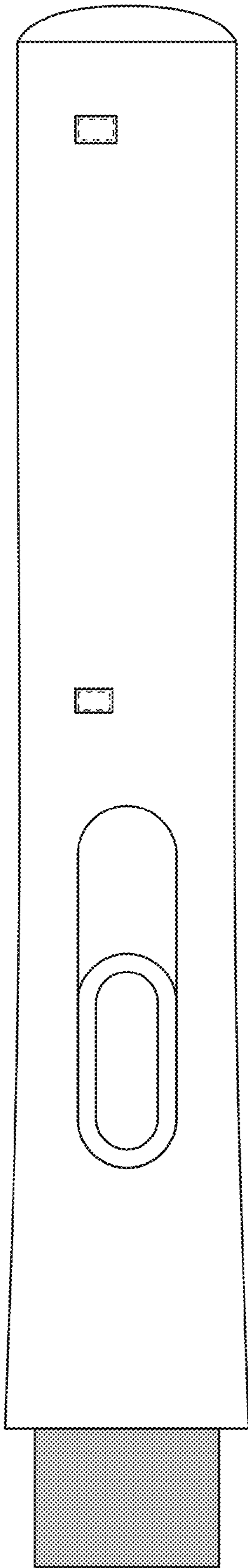


FIG. 107

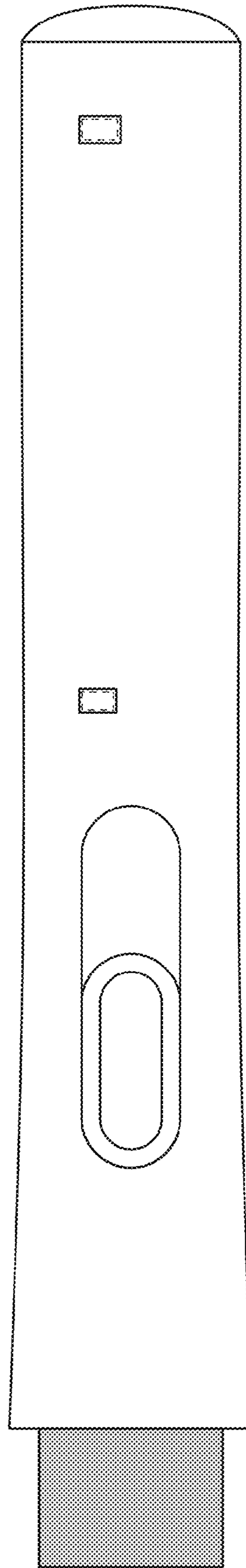


FIG. 108

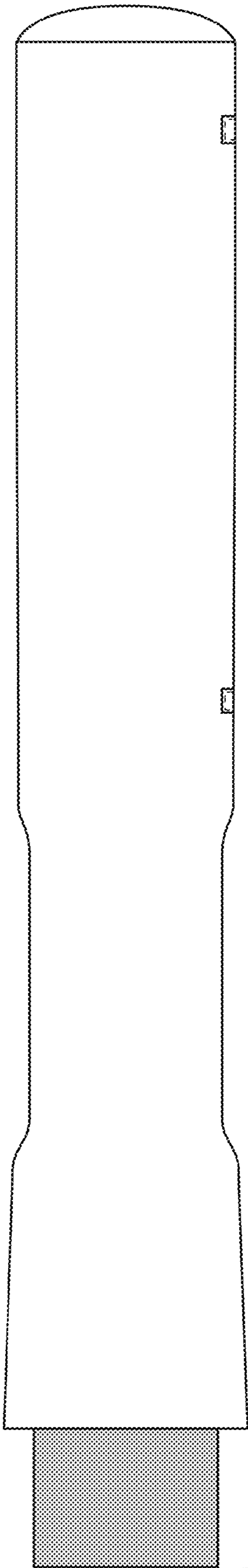


FIG. 109

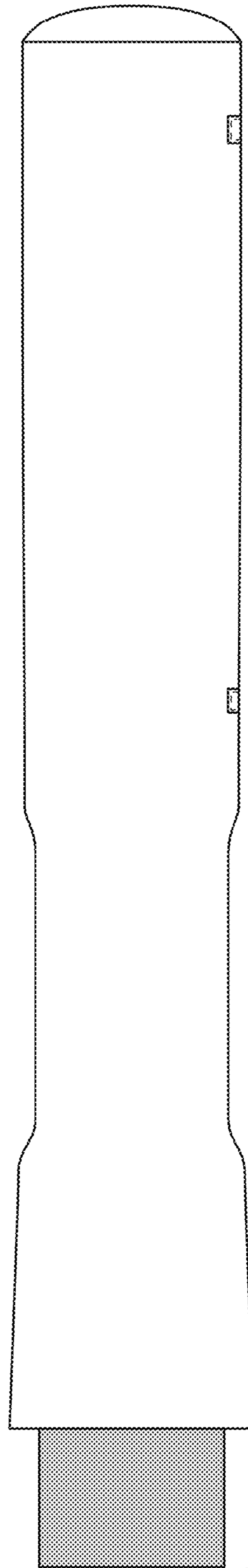


FIG. 110

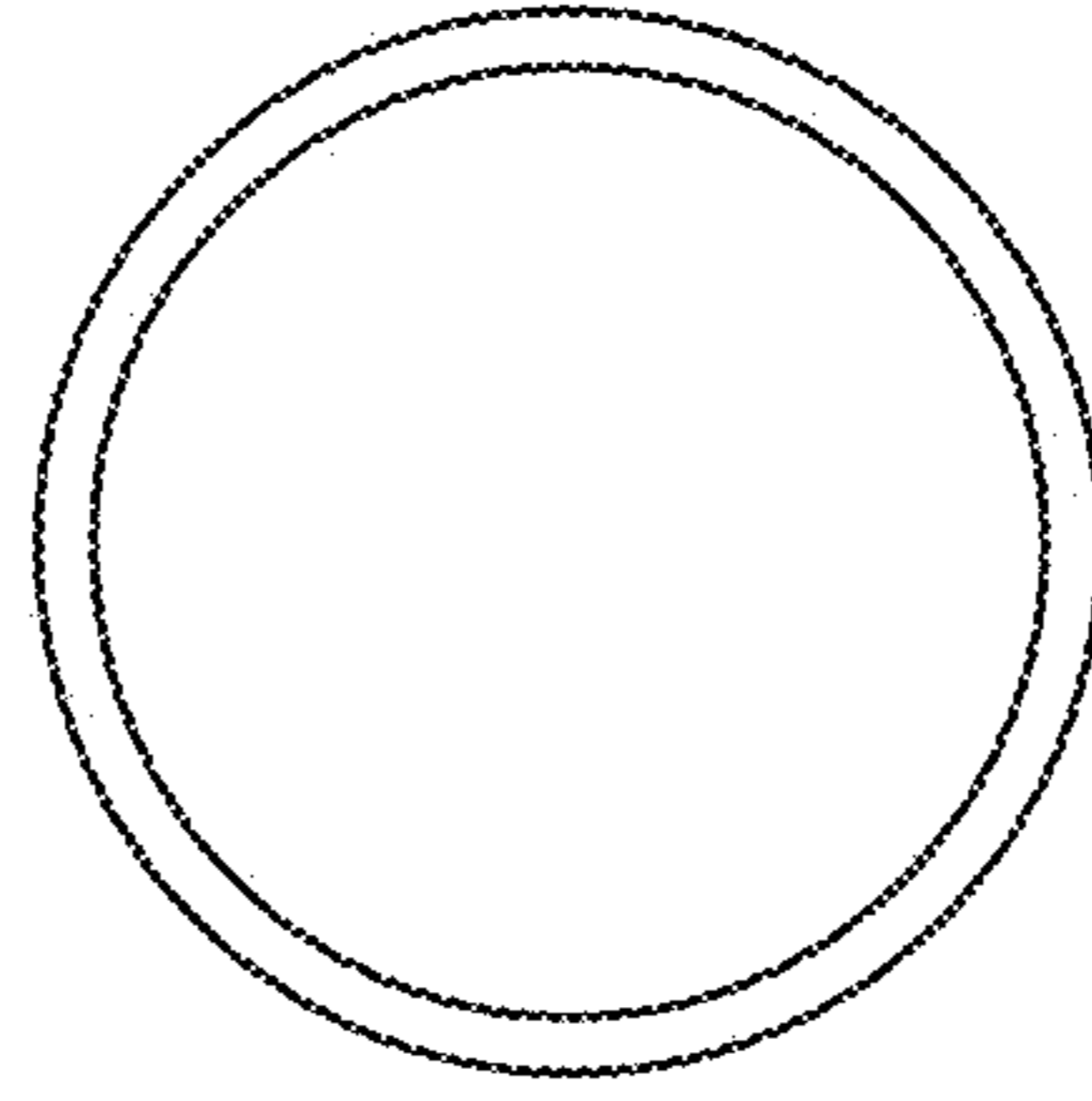


FIG. 111

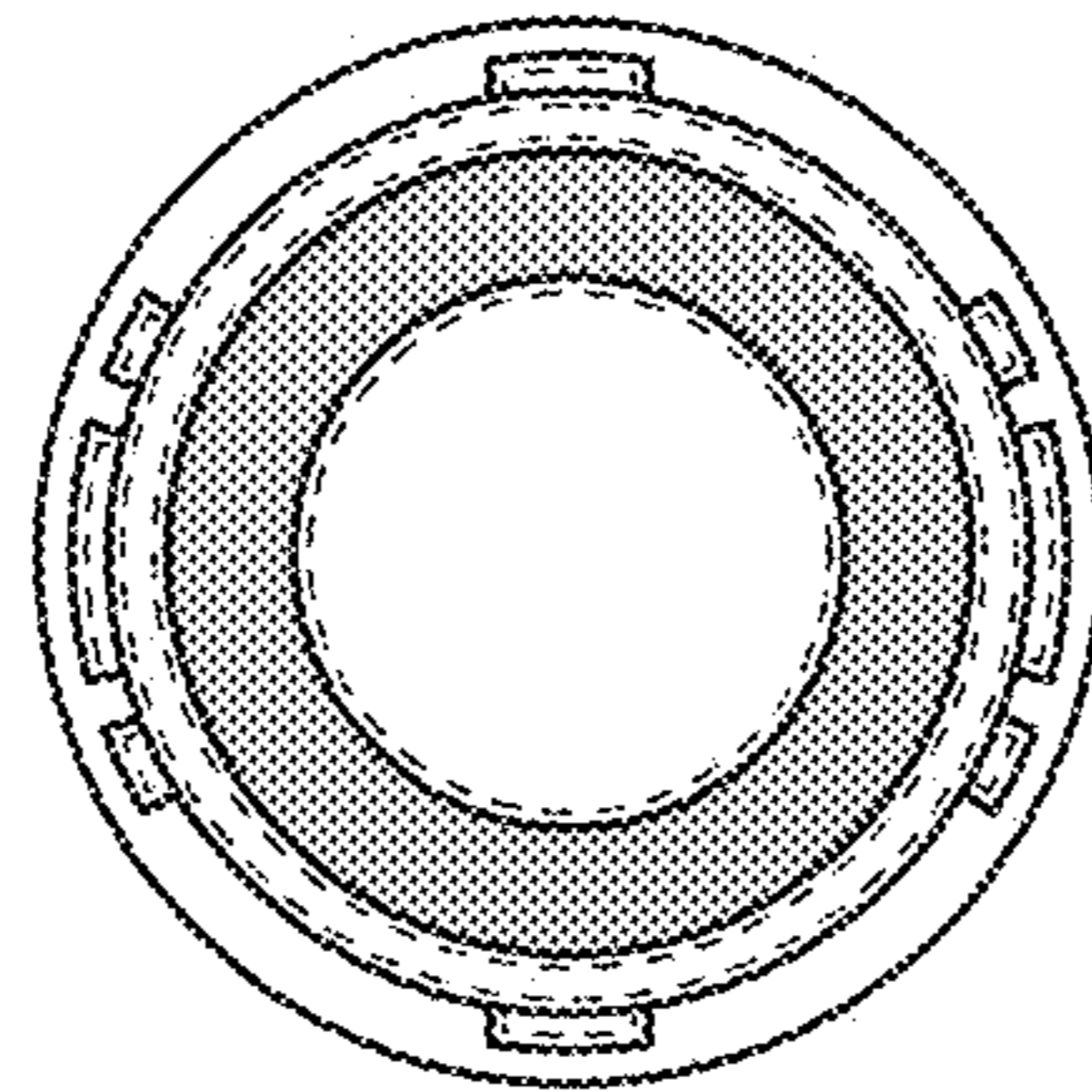


FIG. 112

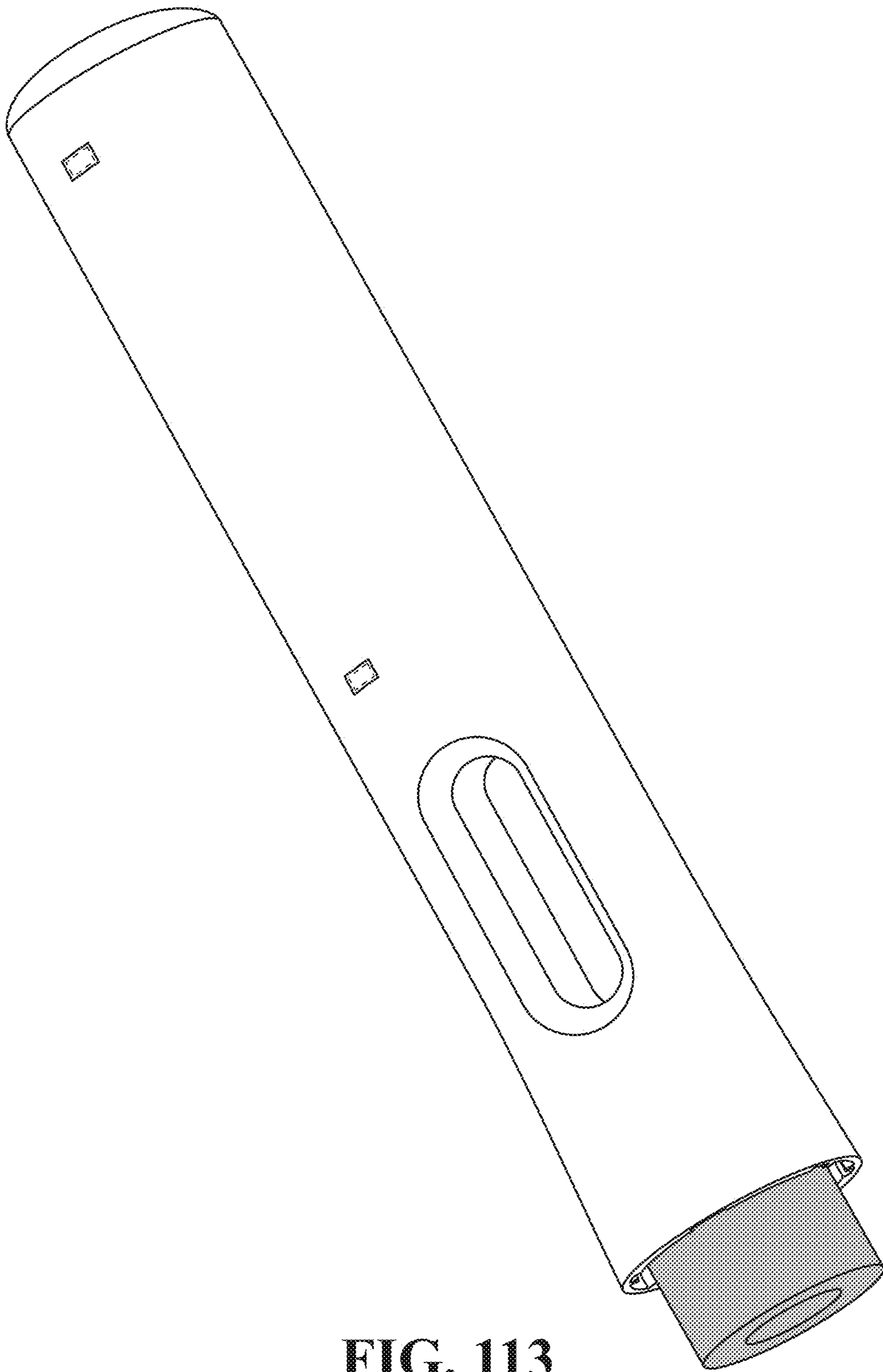


FIG. 113

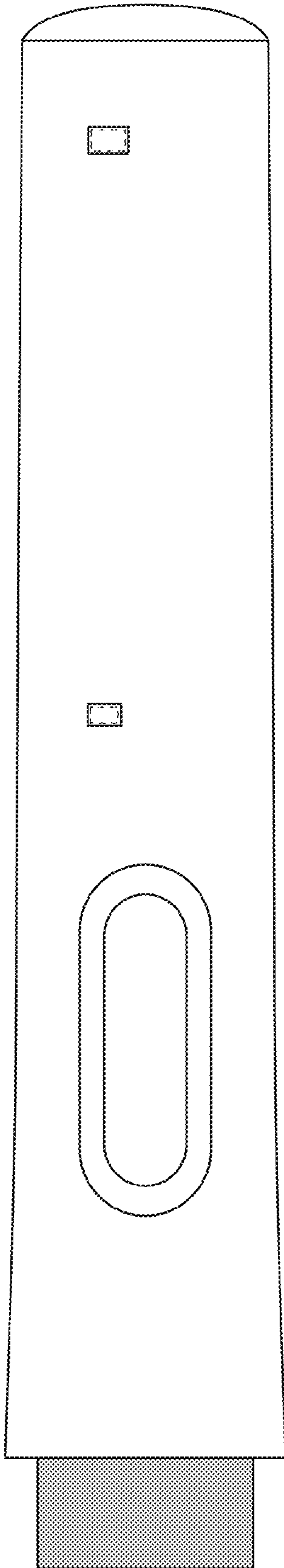


FIG. 114

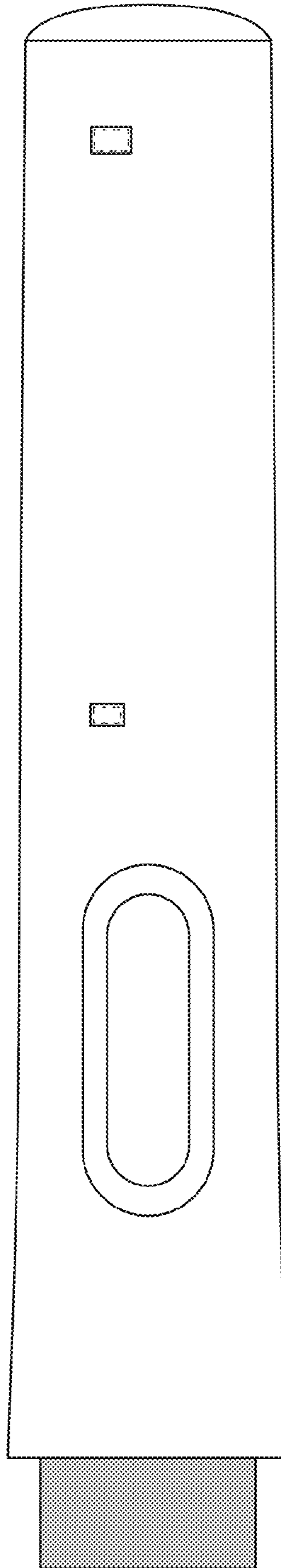


FIG. 115

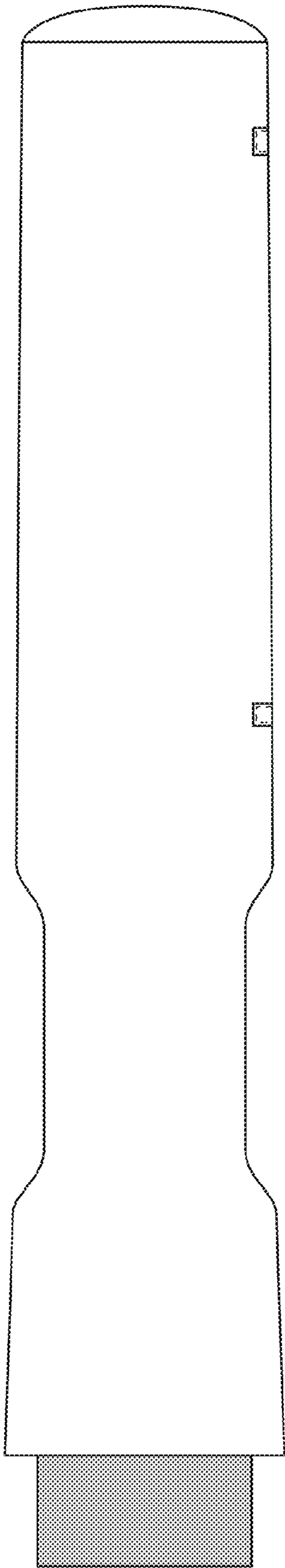


FIG. 116

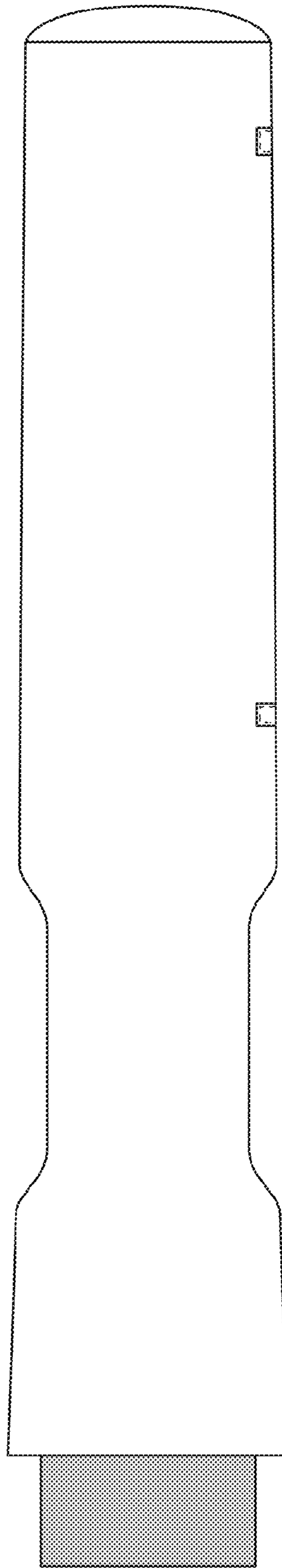


FIG. 117

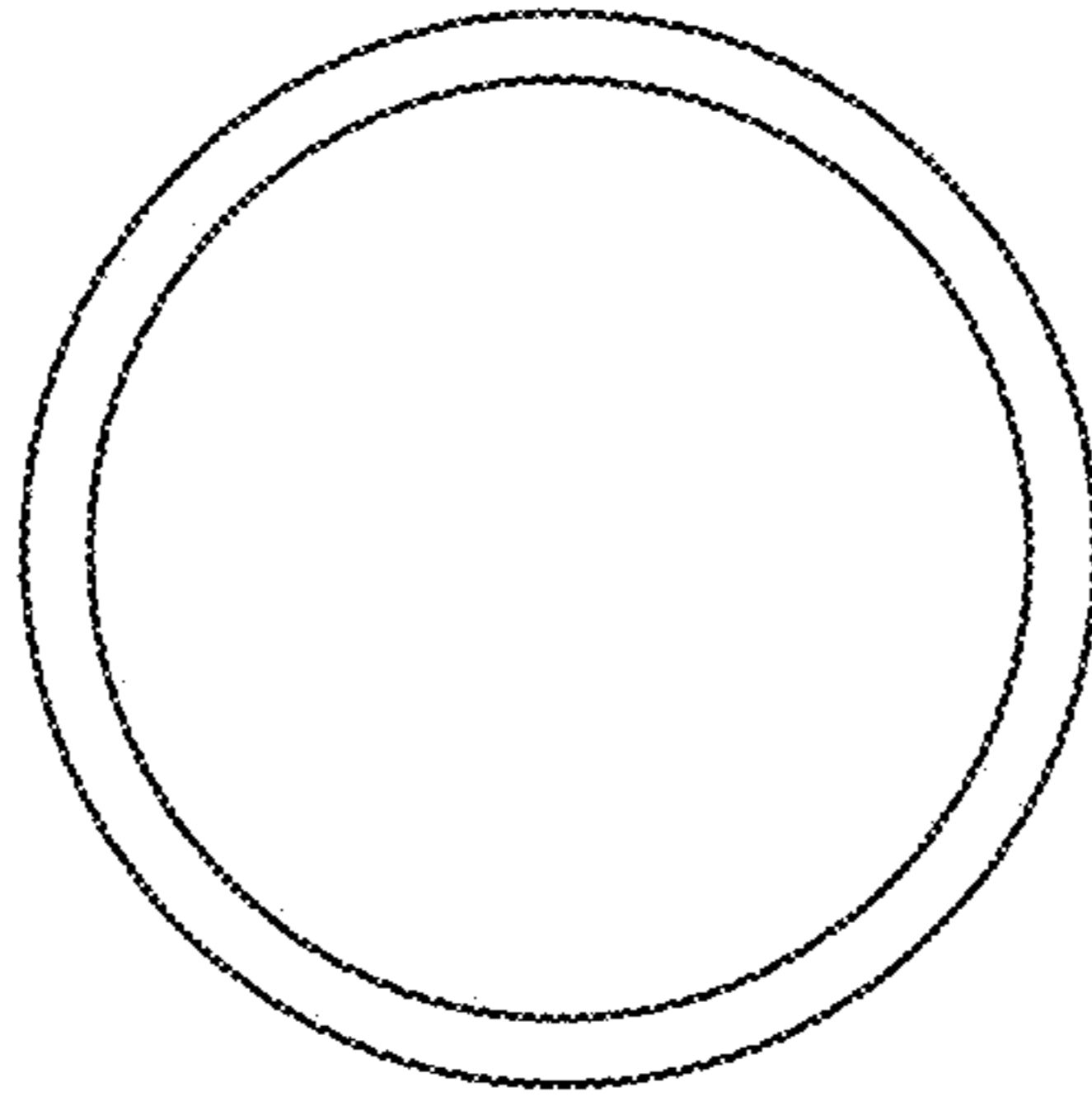


FIG. 118

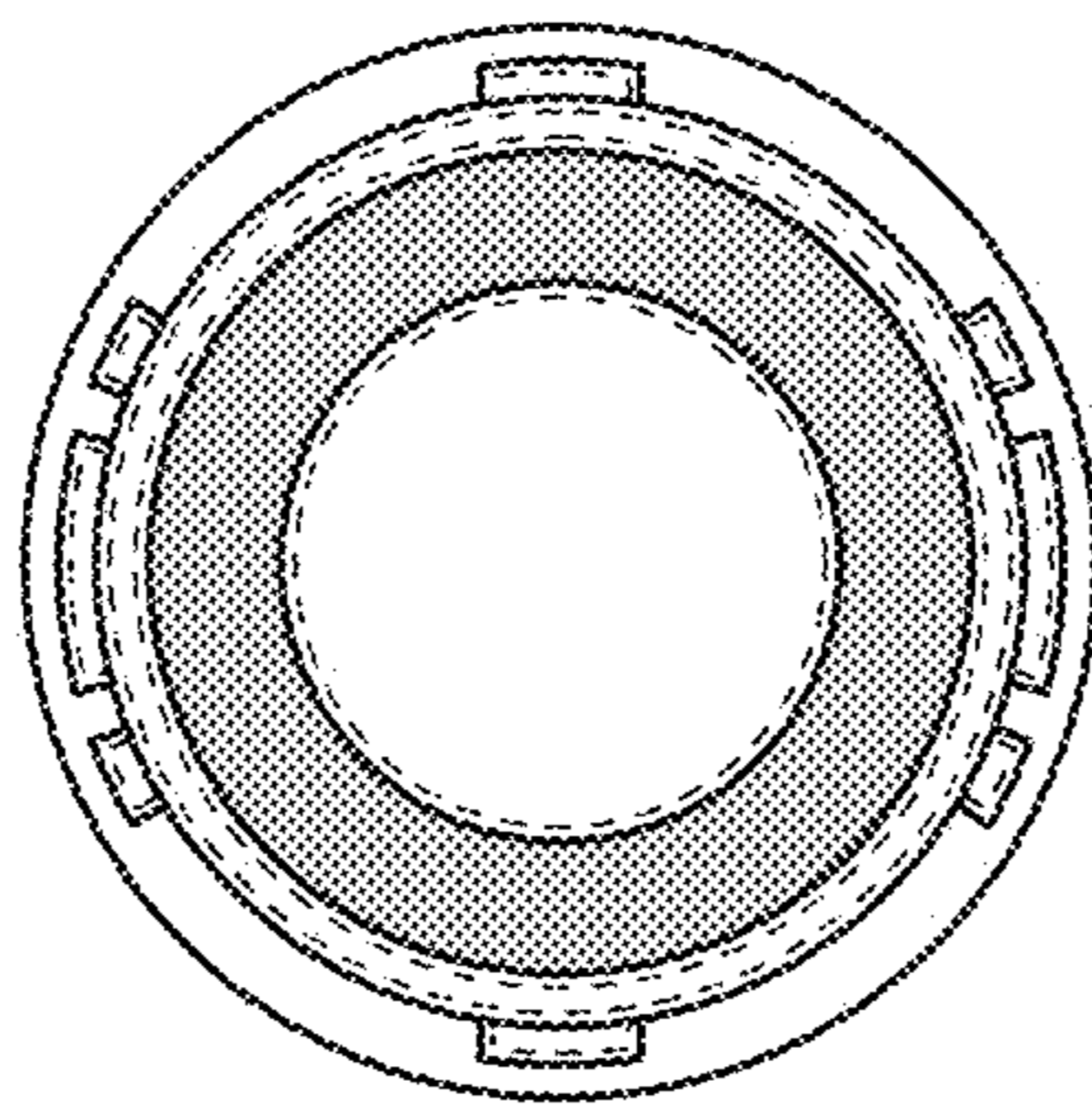


FIG. 119

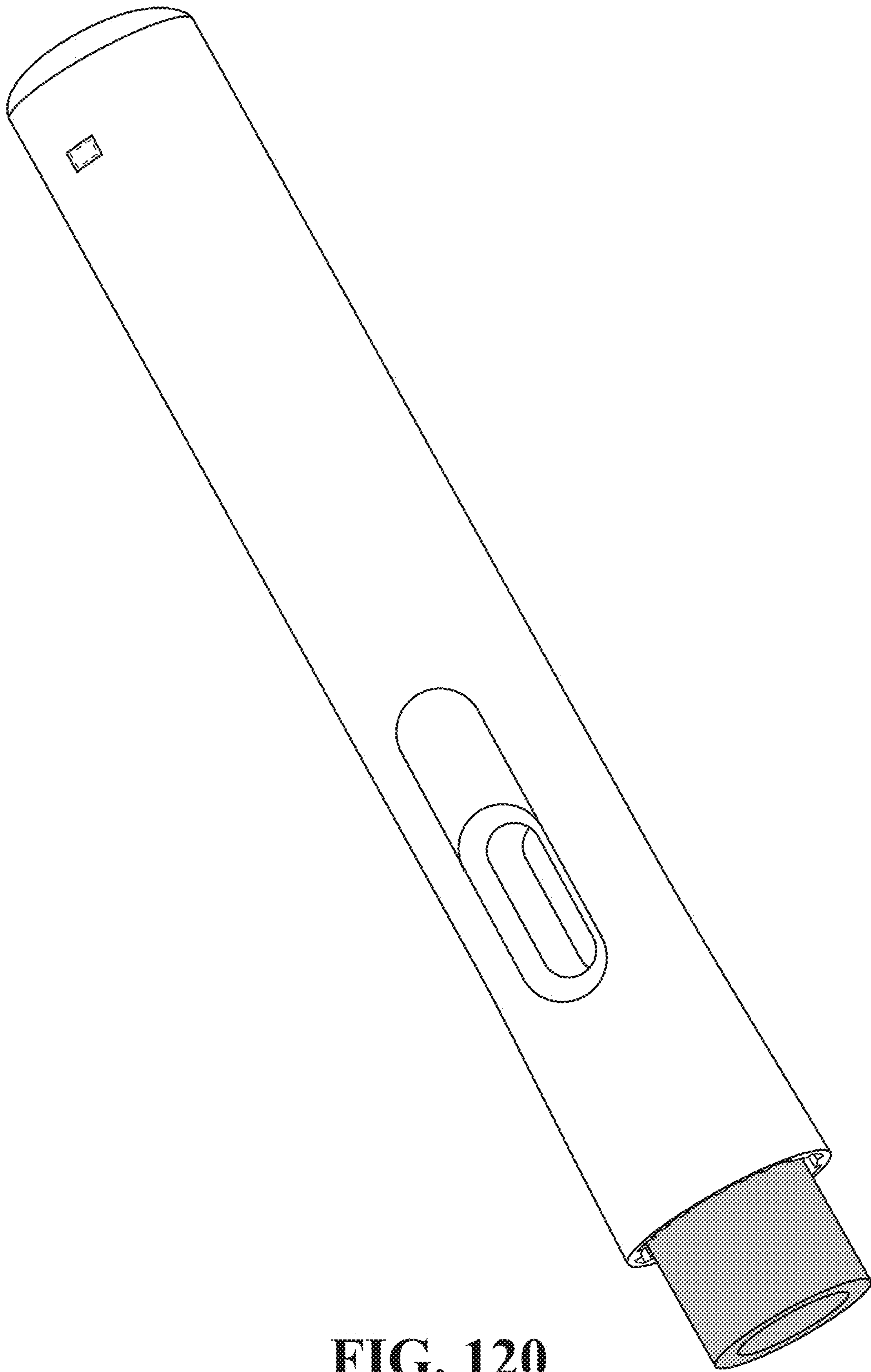


FIG. 120

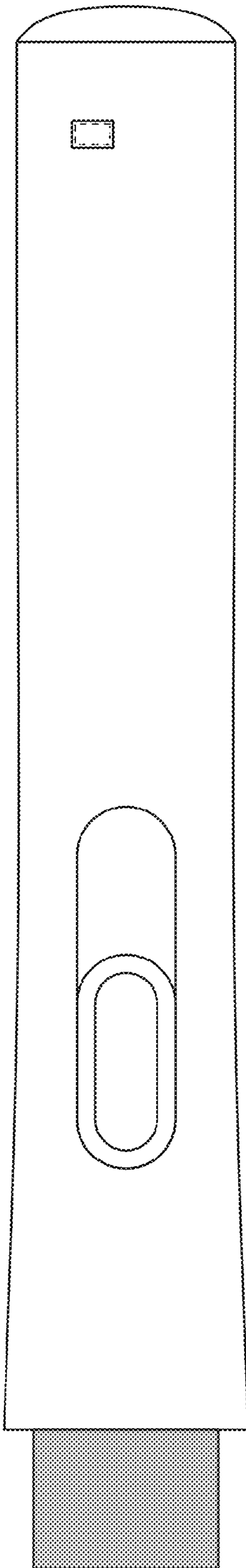


FIG. 121

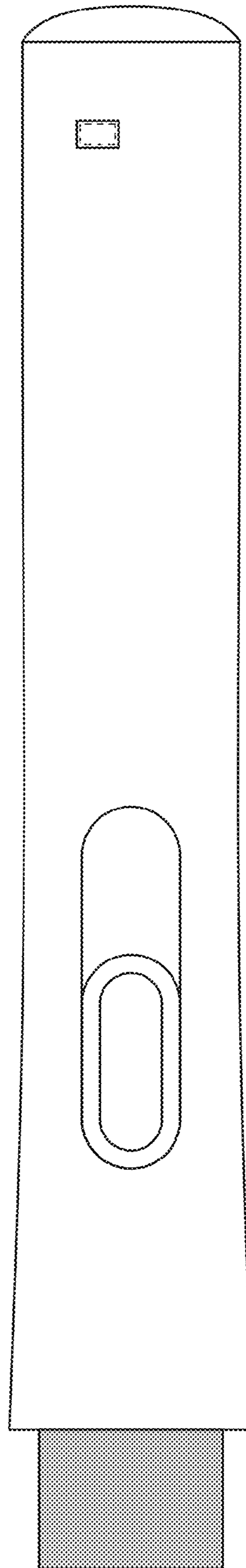


FIG. 122

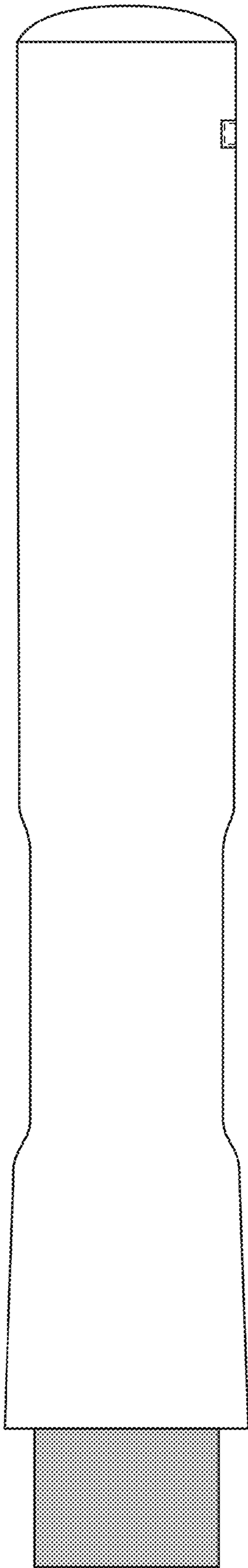


FIG. 123

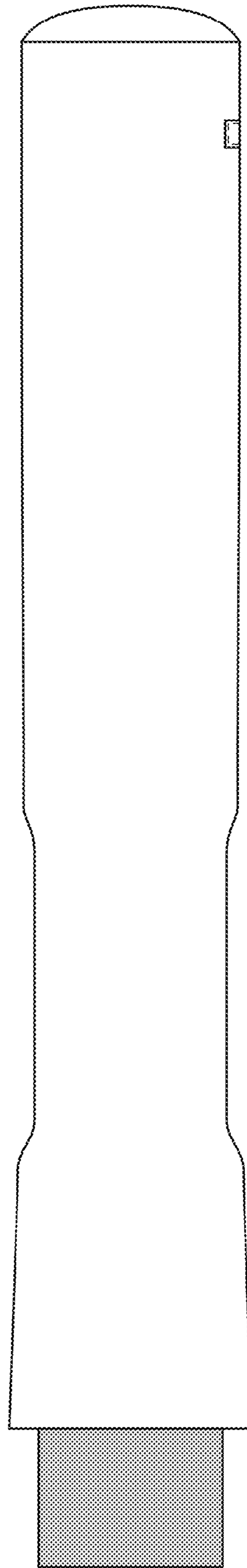


FIG. 124

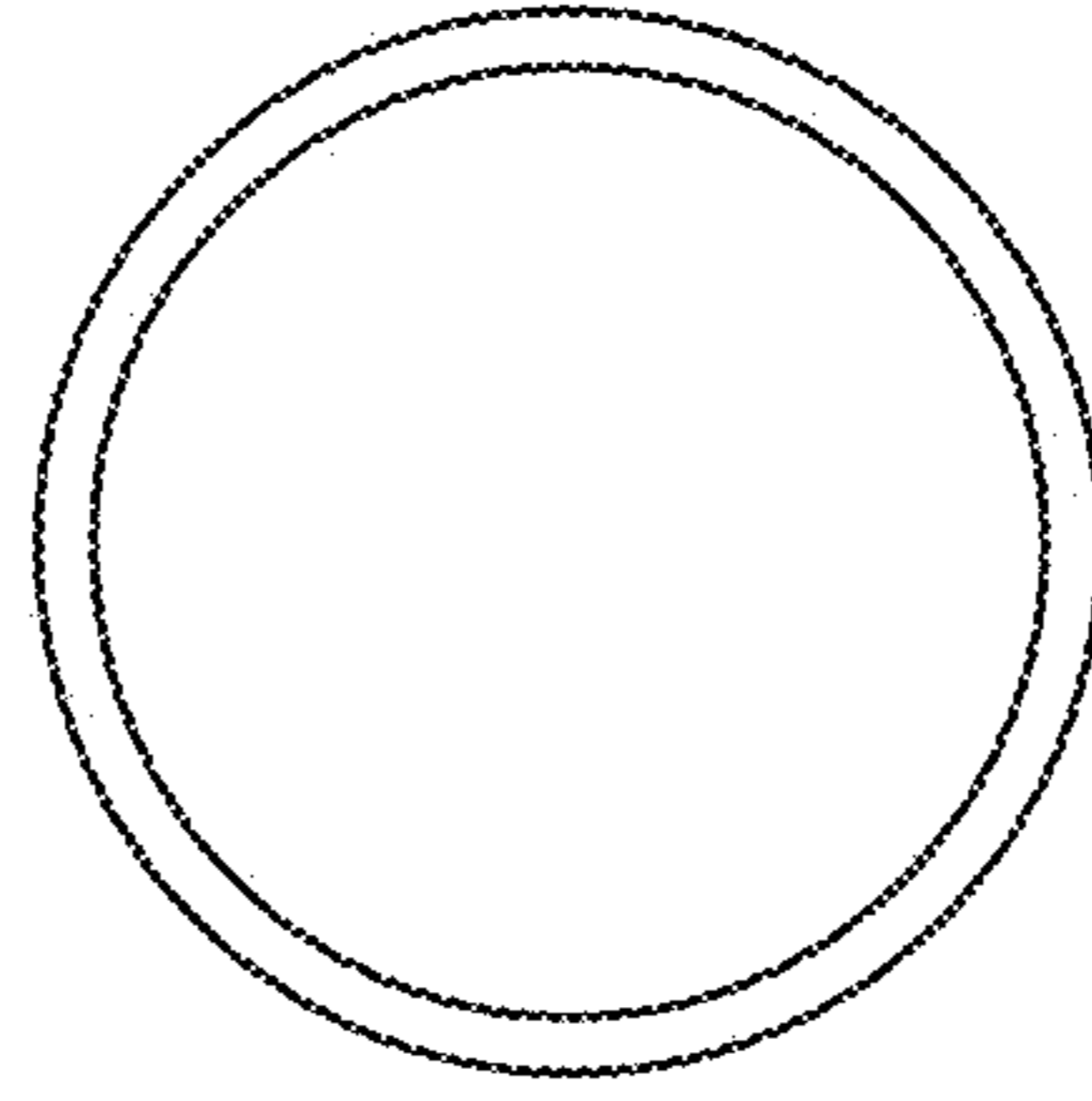


FIG. 125

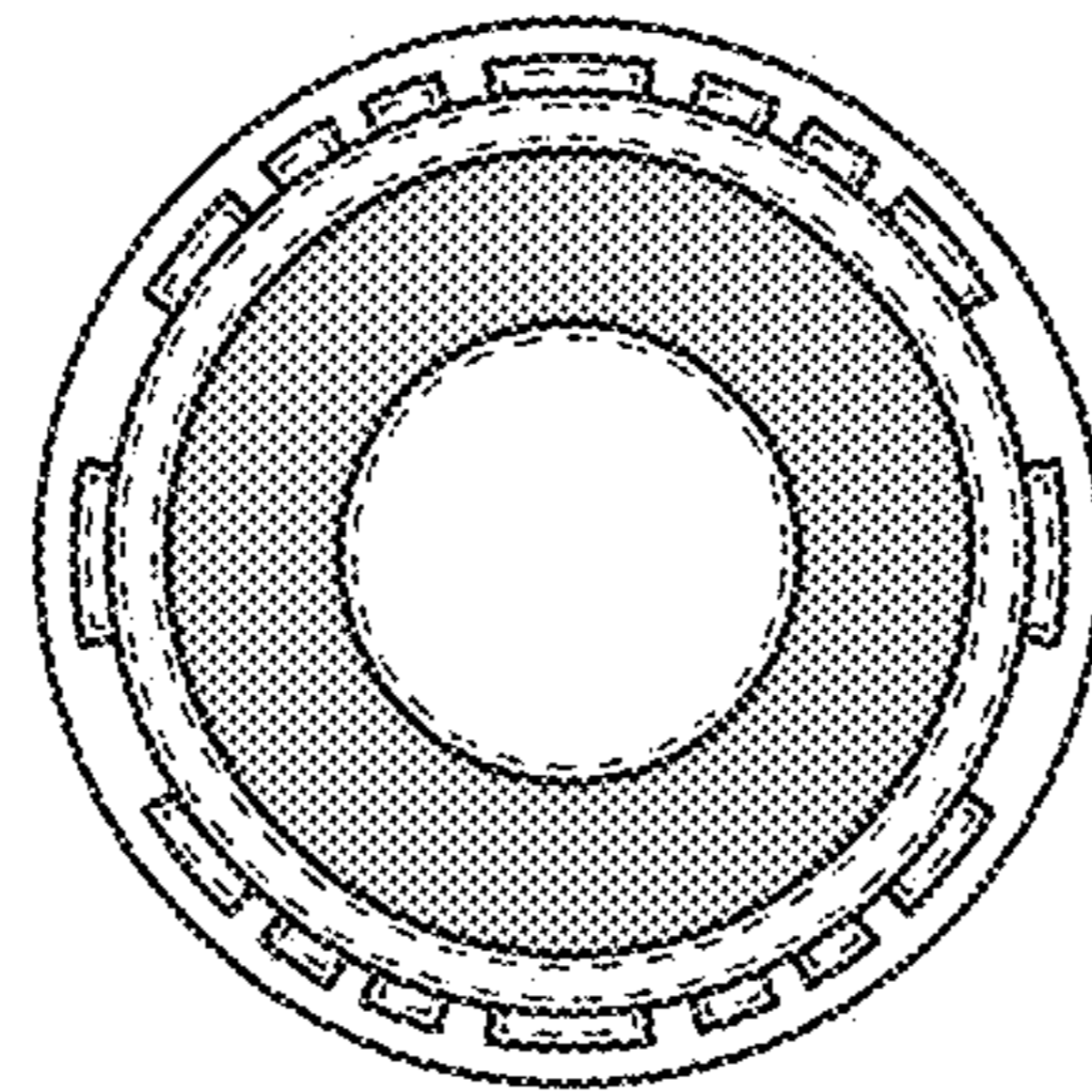


FIG. 126

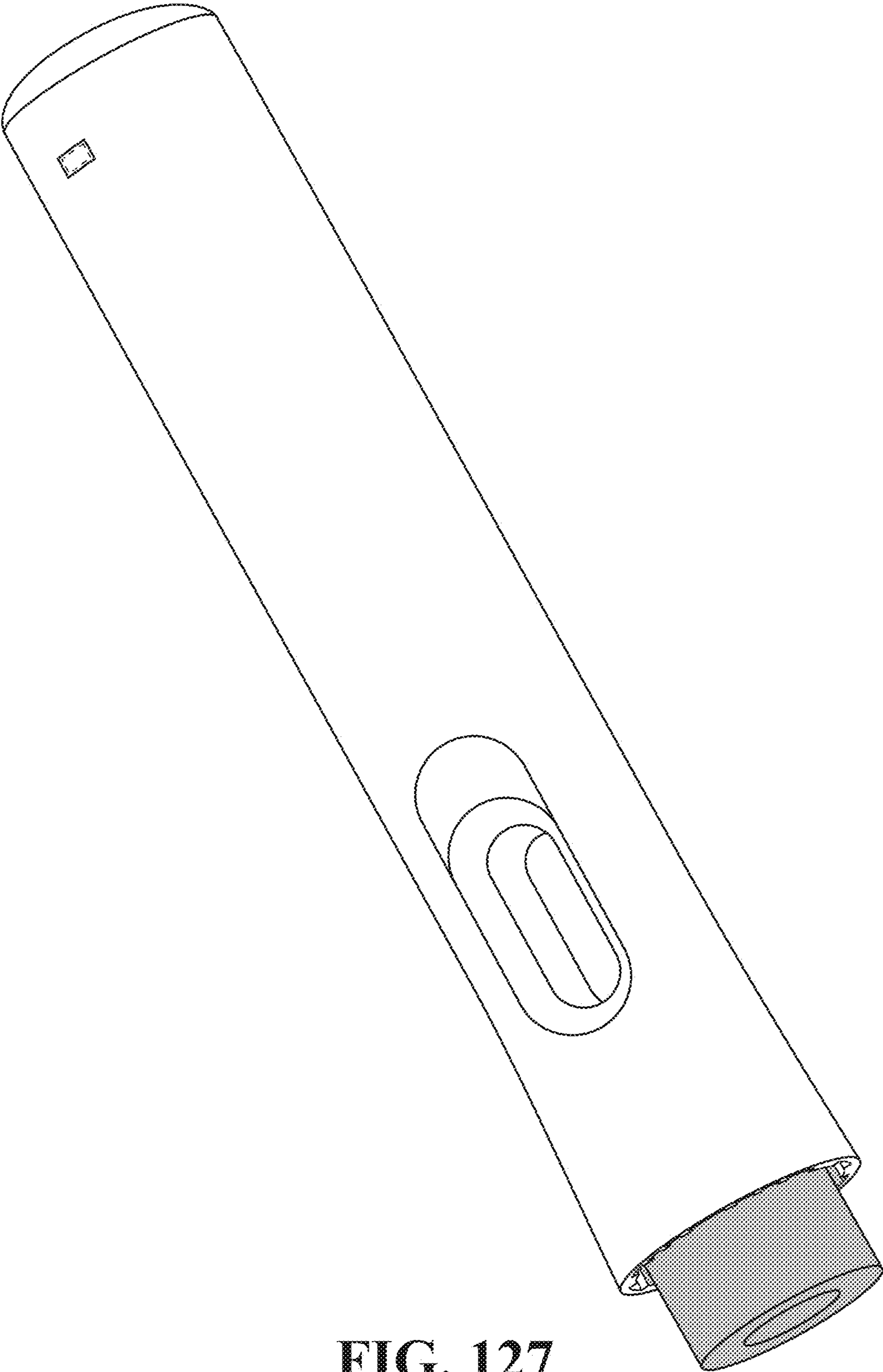


FIG. 127

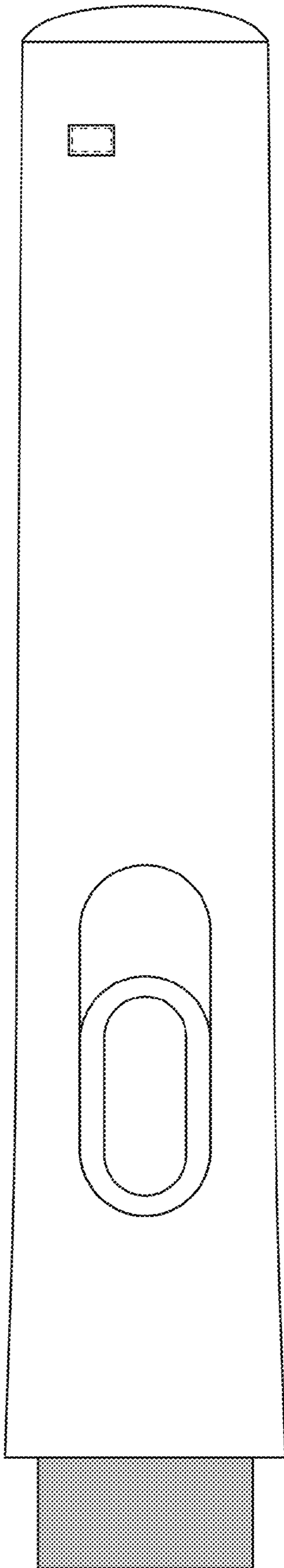


FIG. 128

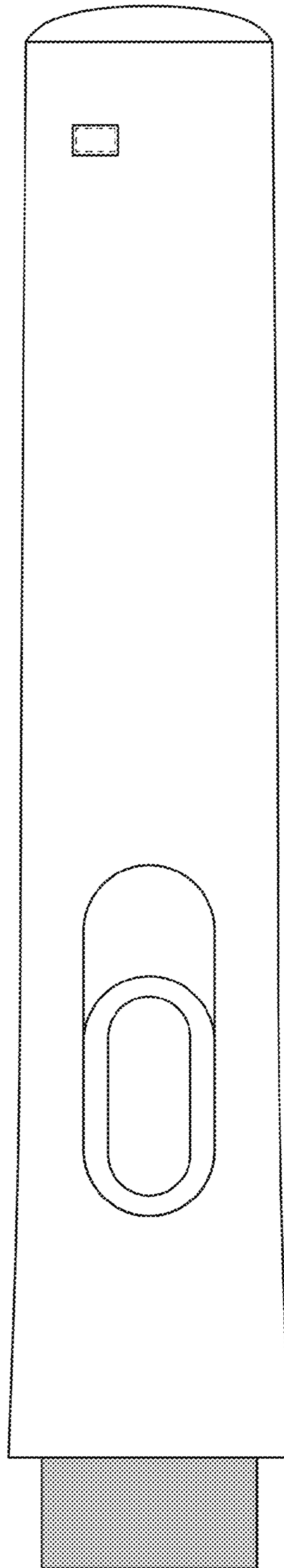


FIG. 129

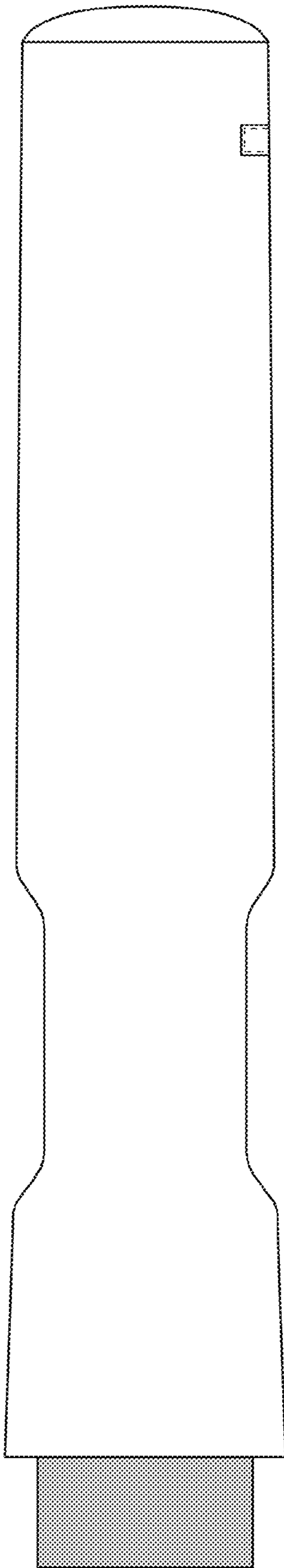


FIG. 130

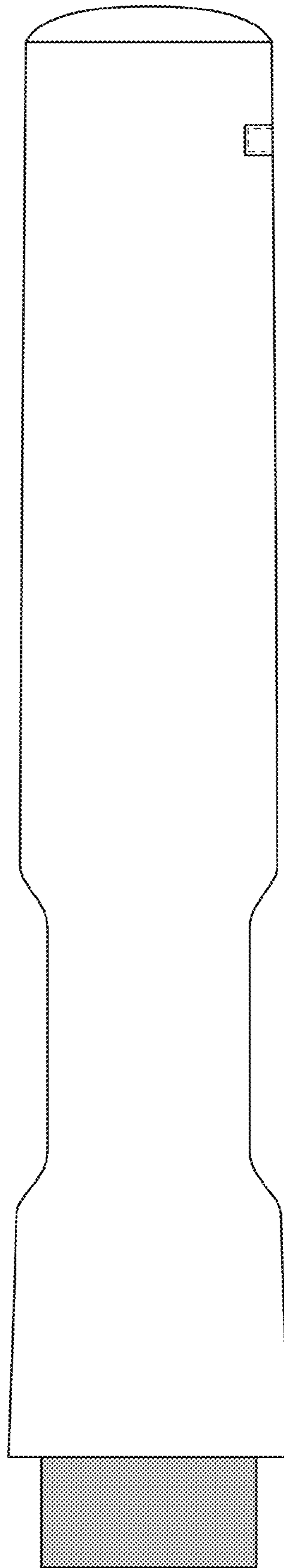


FIG. 131

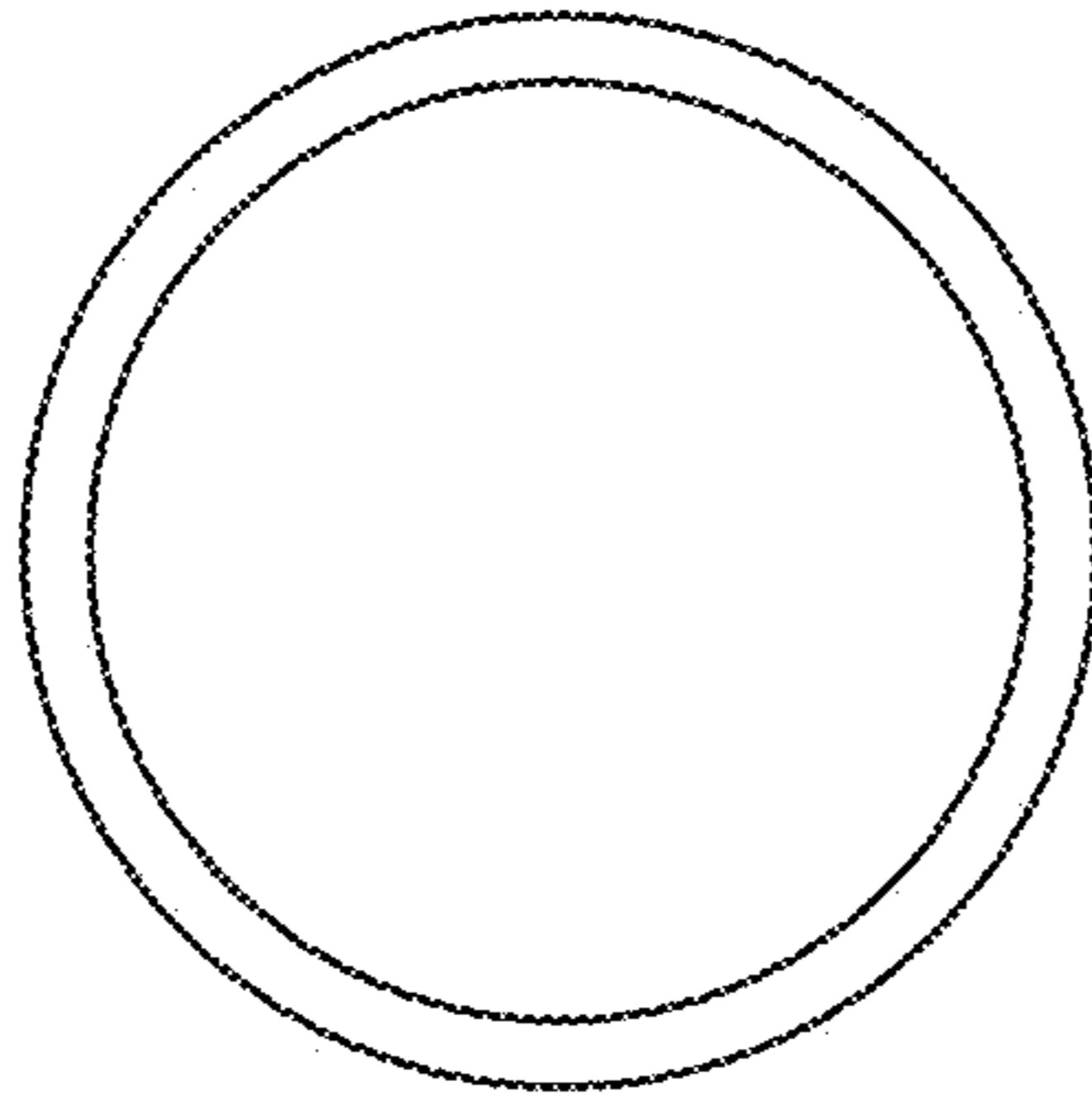


FIG. 132

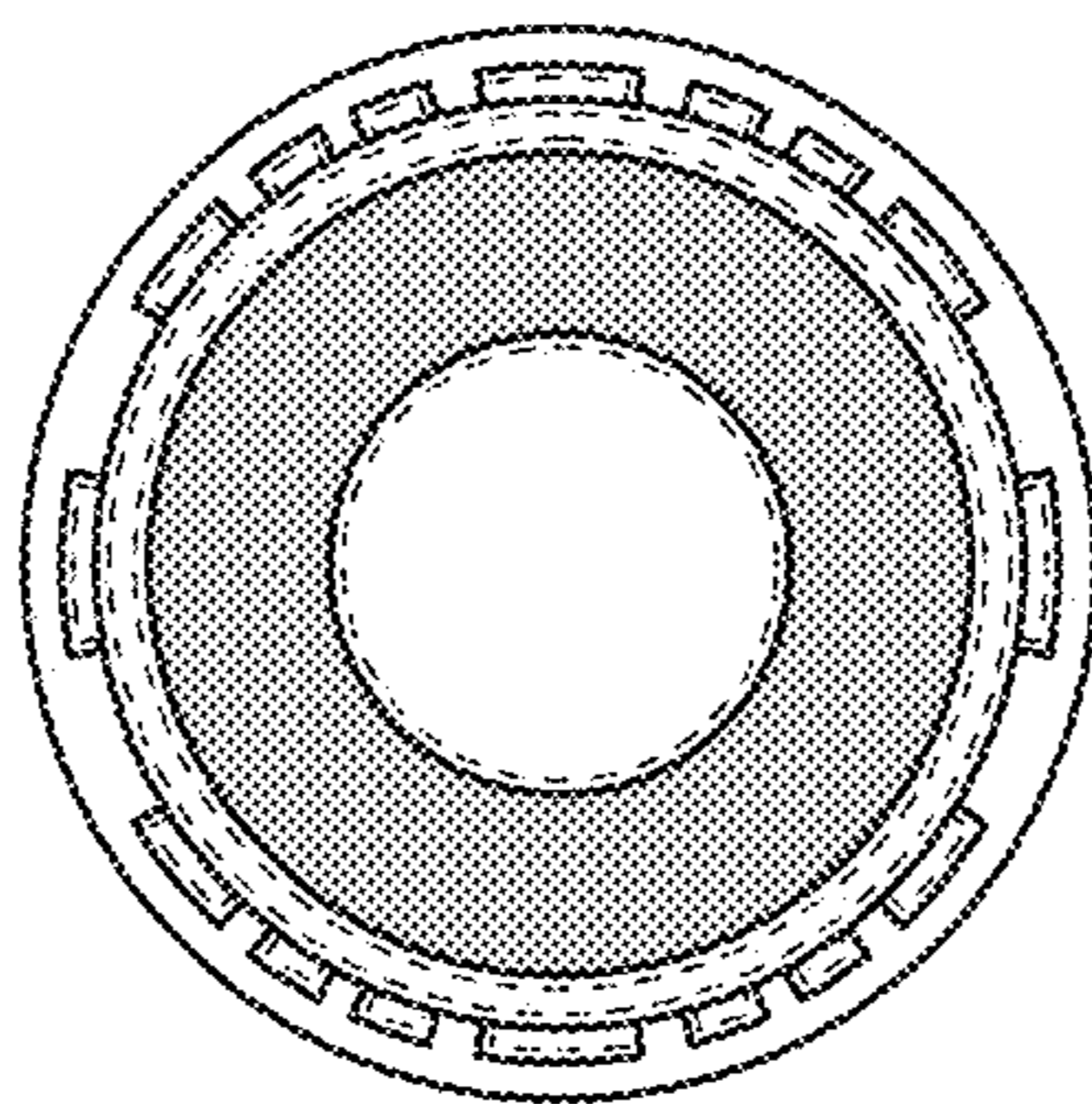


FIG. 133

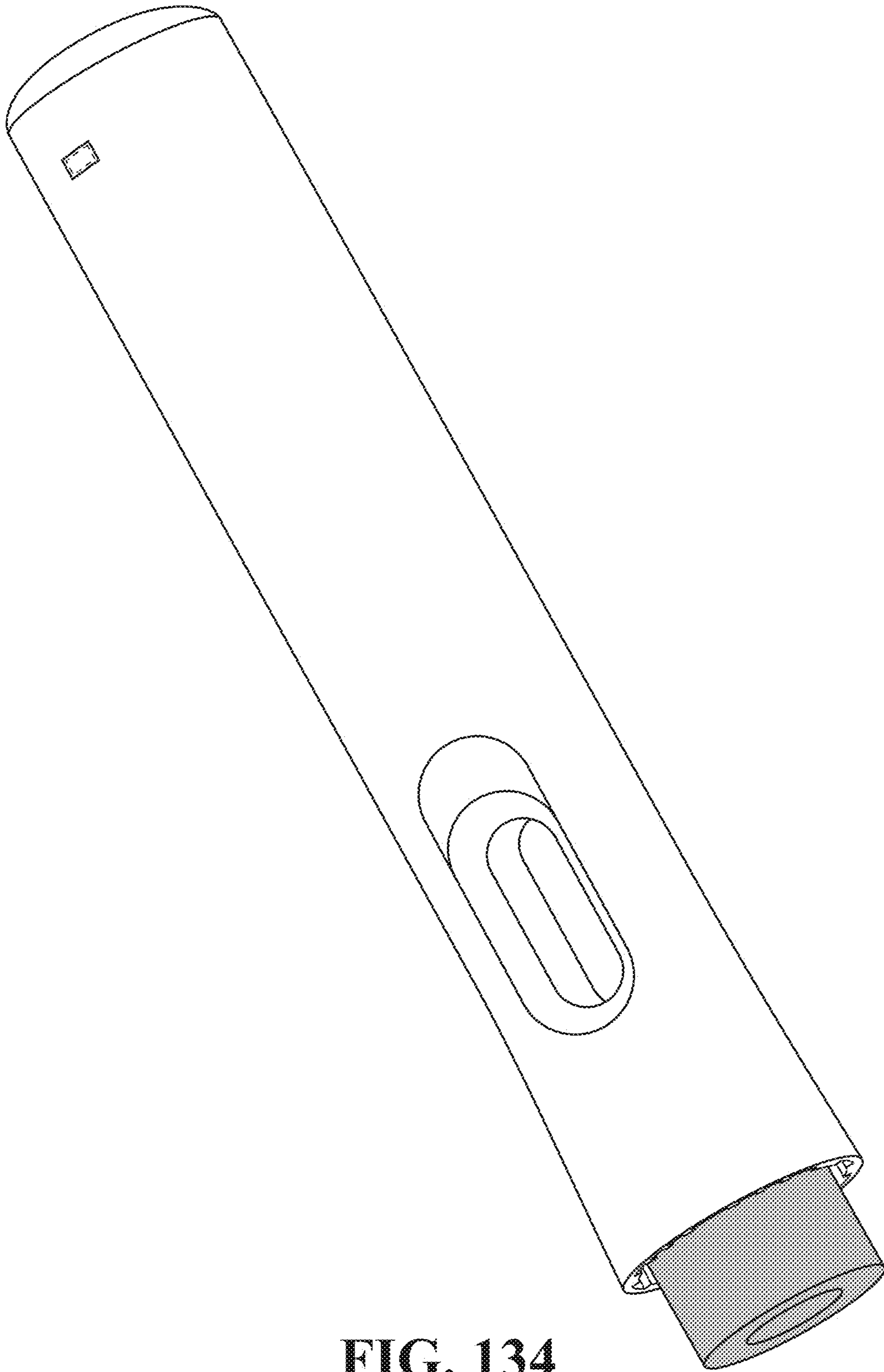


FIG. 134

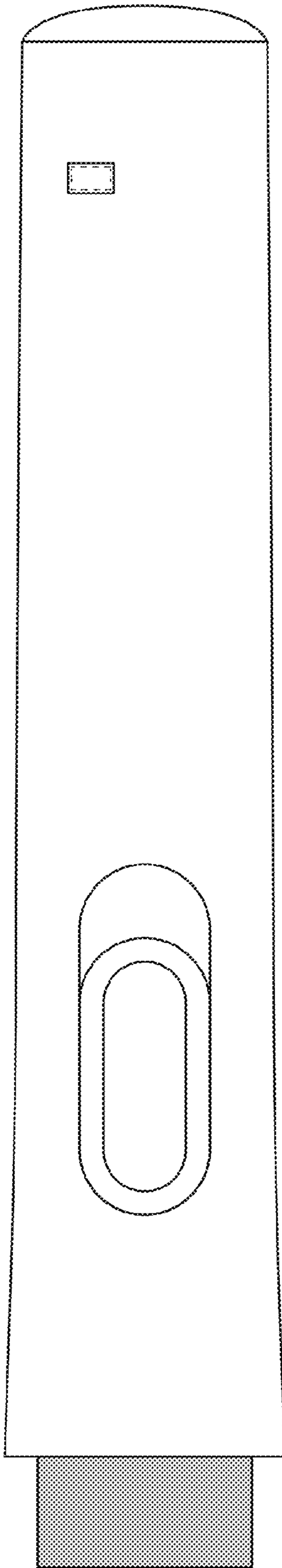


FIG. 135

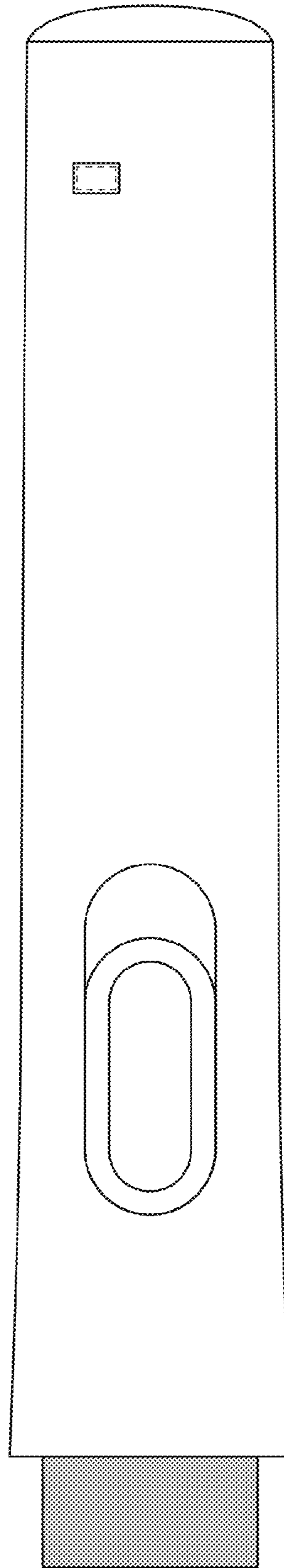


FIG. 136

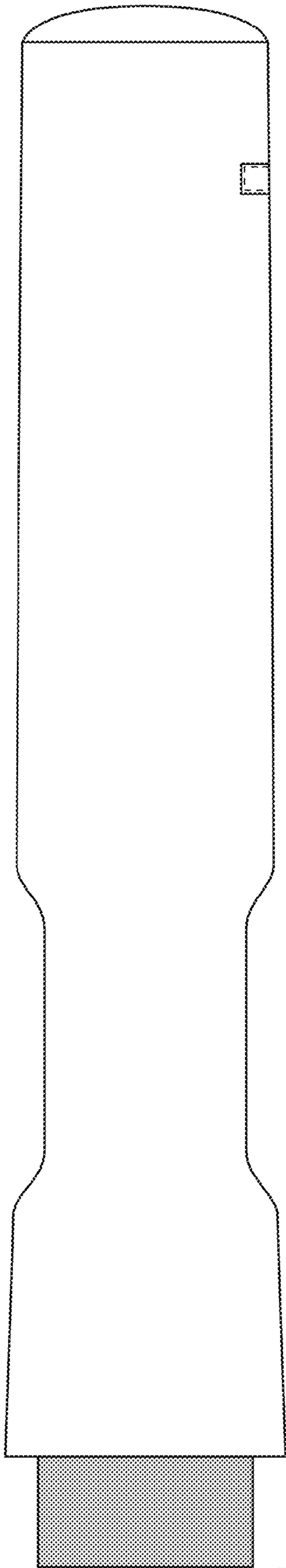


FIG. 137

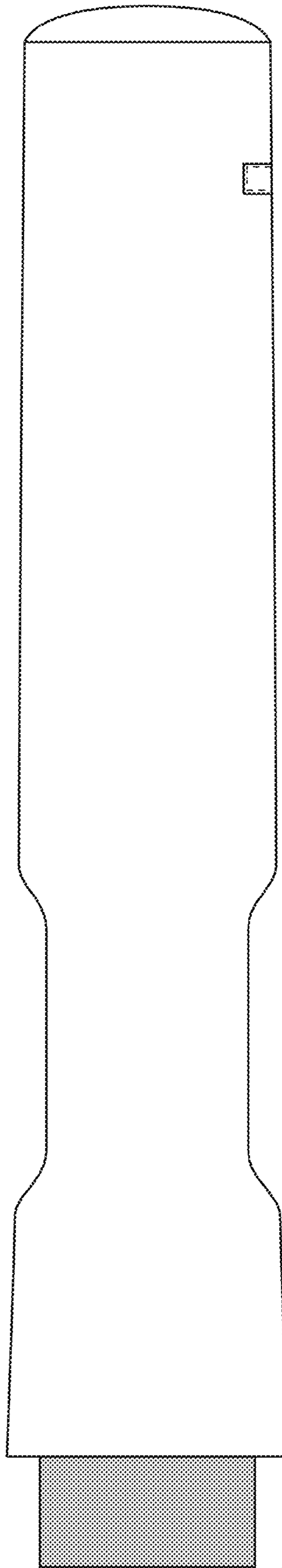


FIG. 138

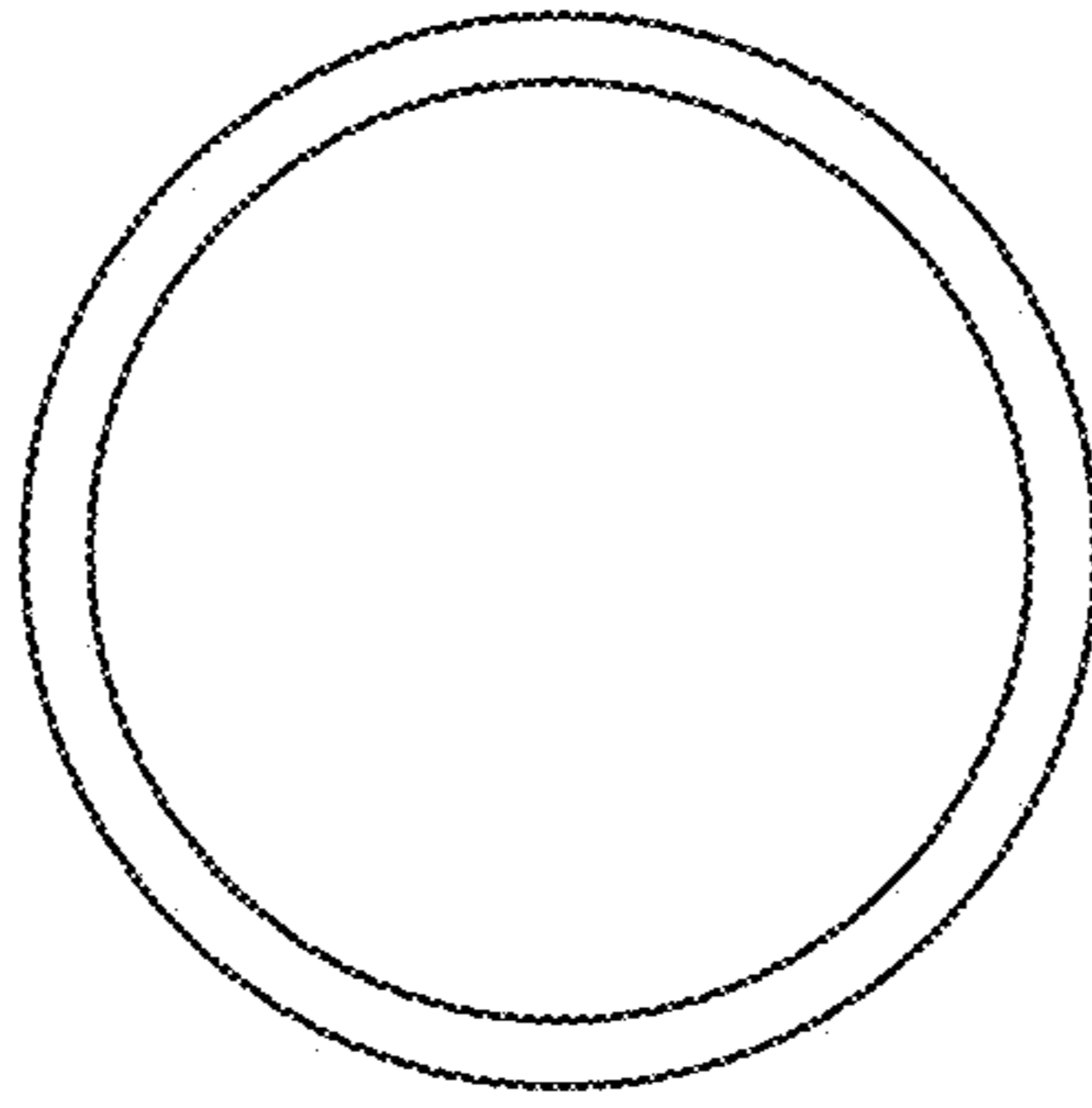


FIG. 139

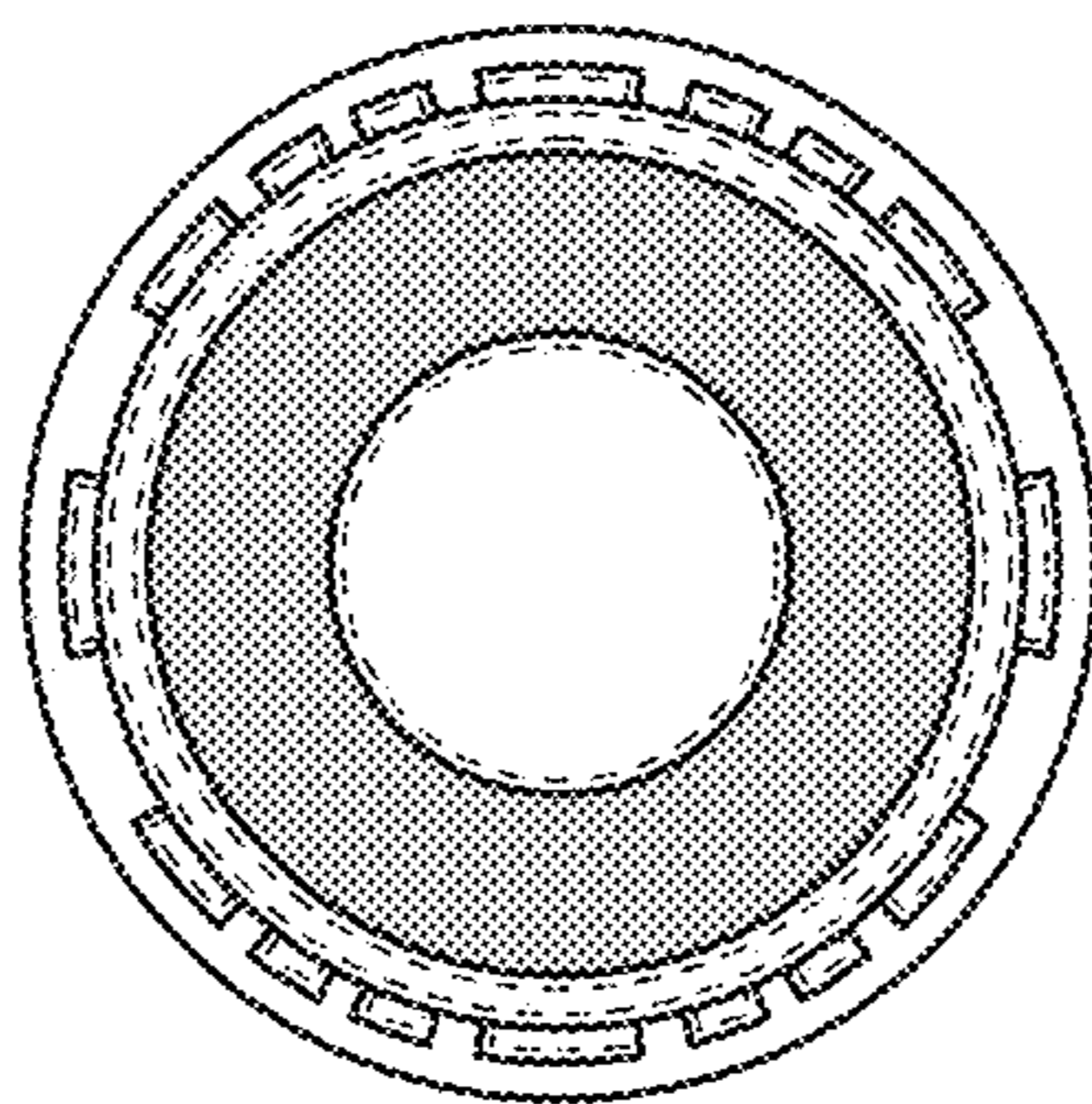


FIG. 140

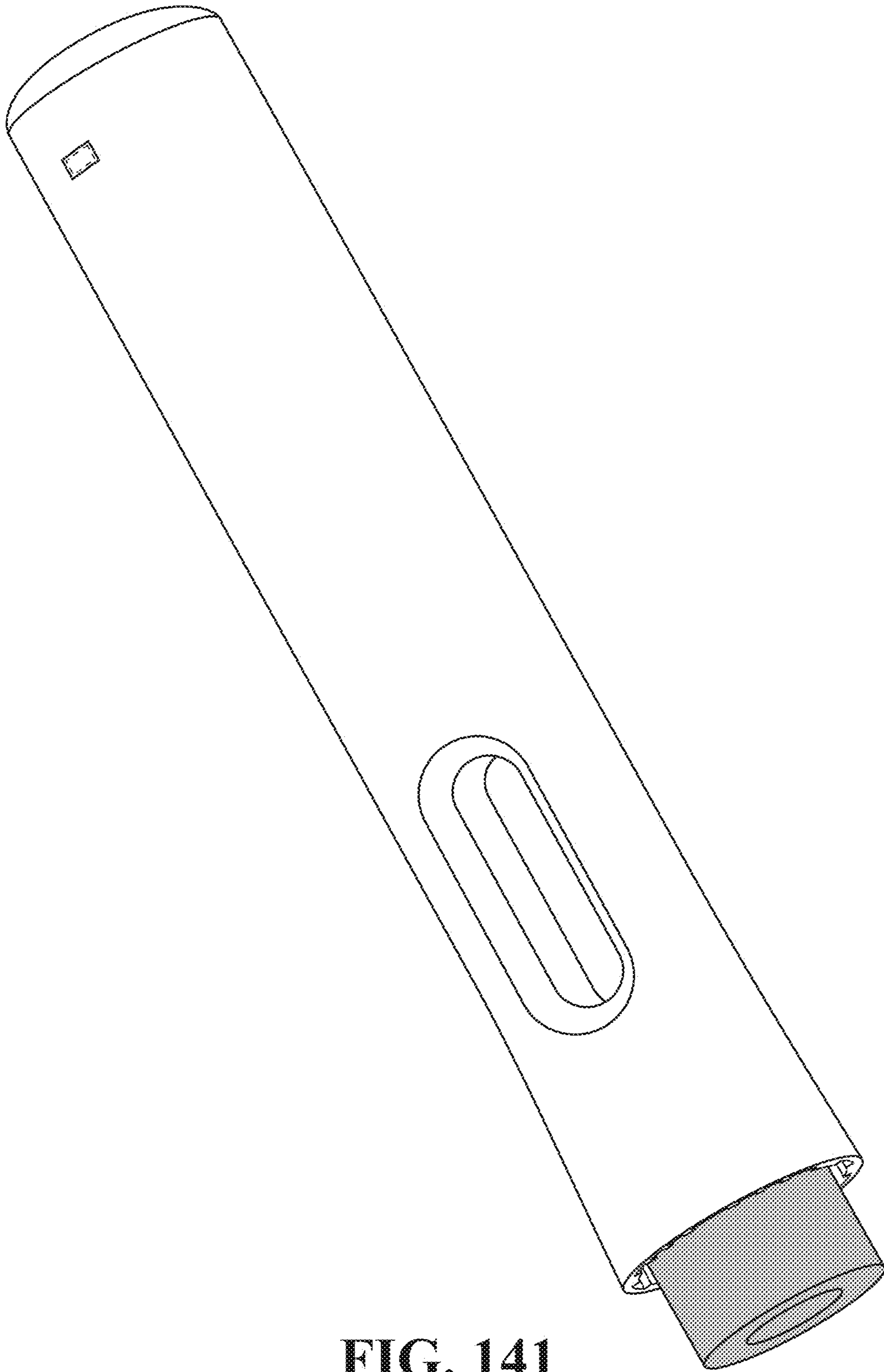


FIG. 141

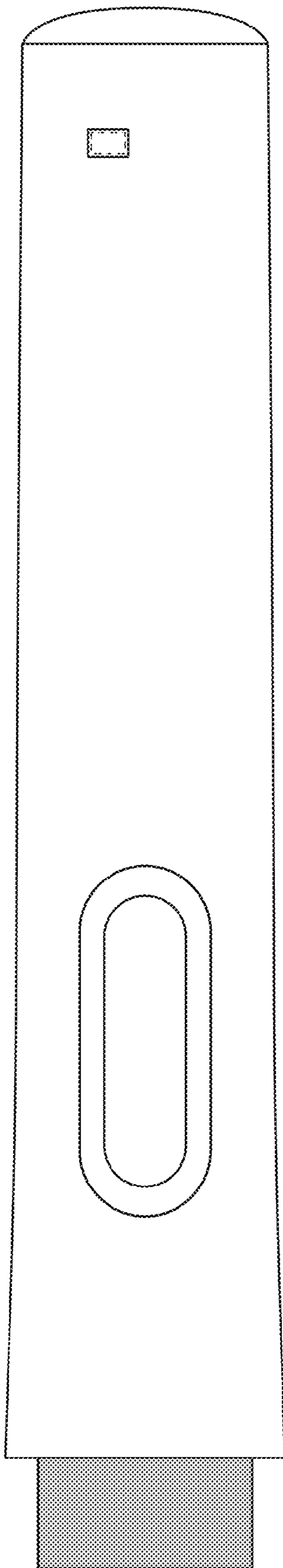


FIG. 142

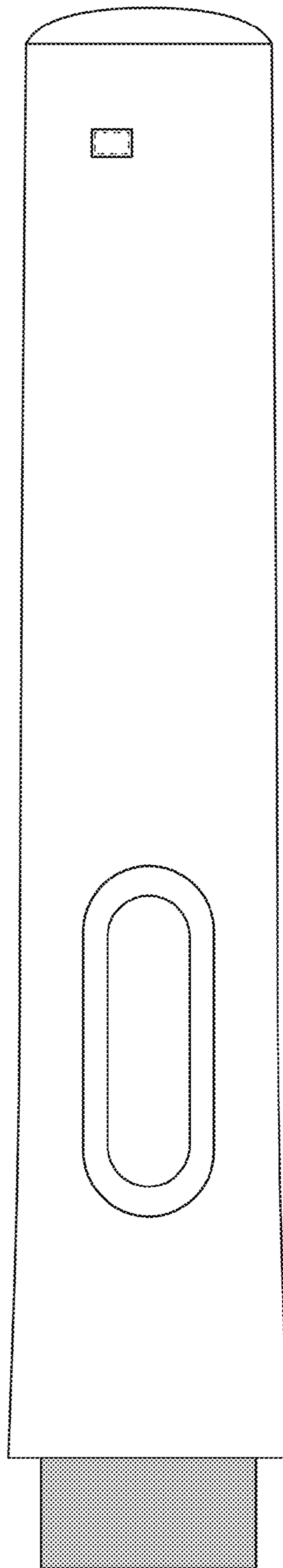


FIG. 143

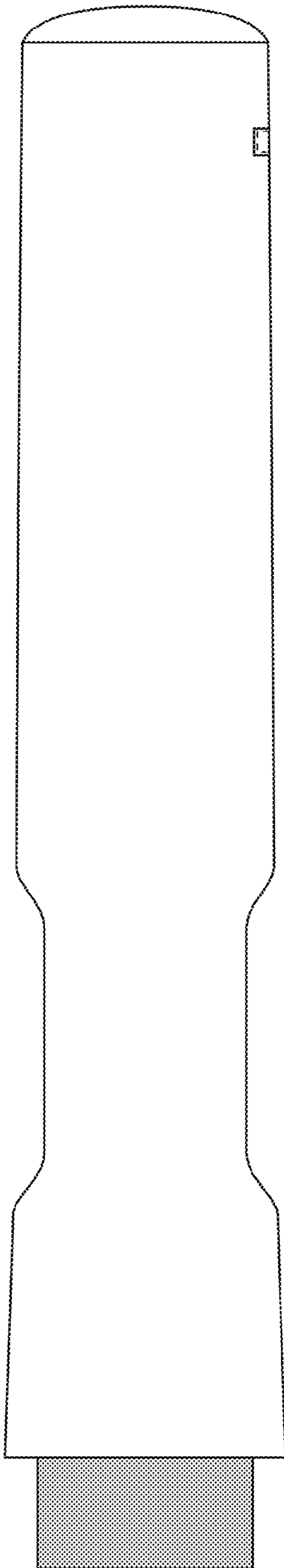


FIG. 144

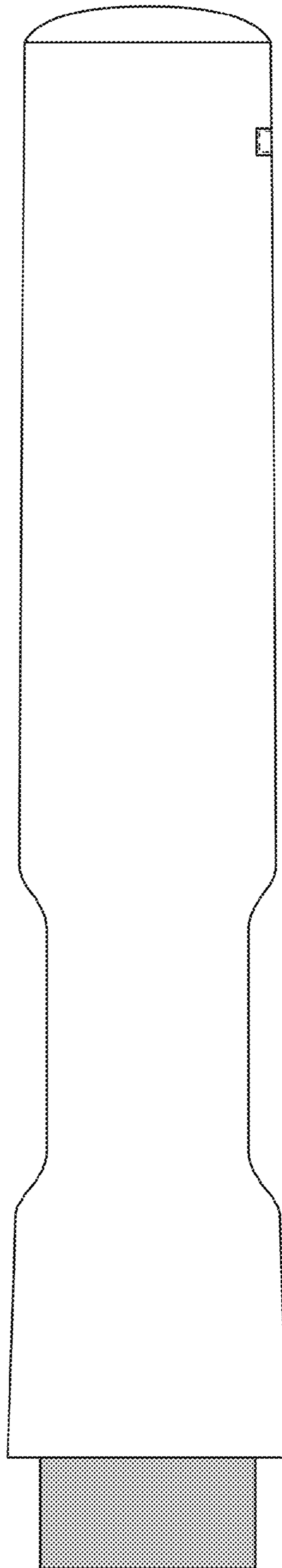


FIG. 145

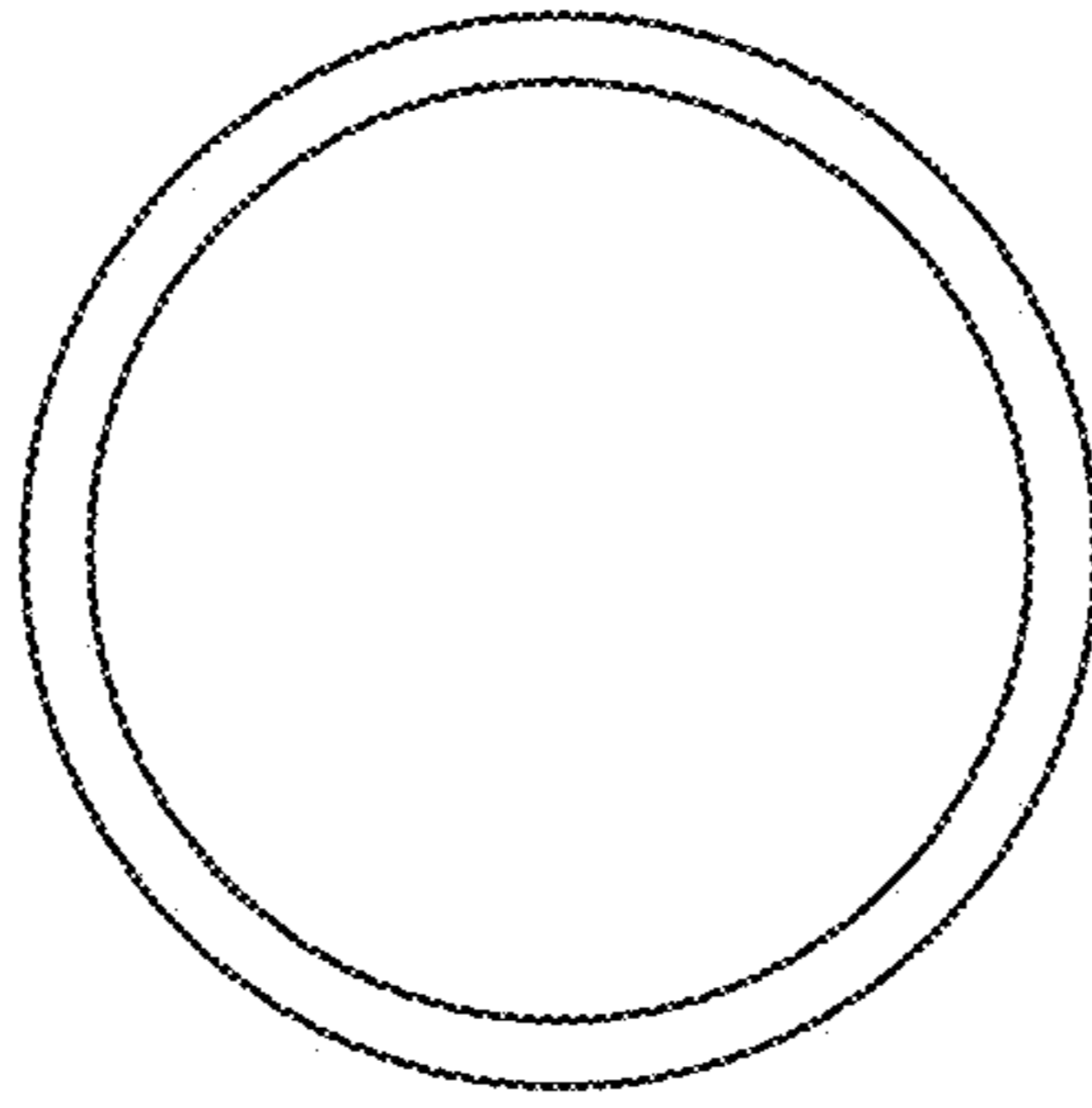


FIG. 146

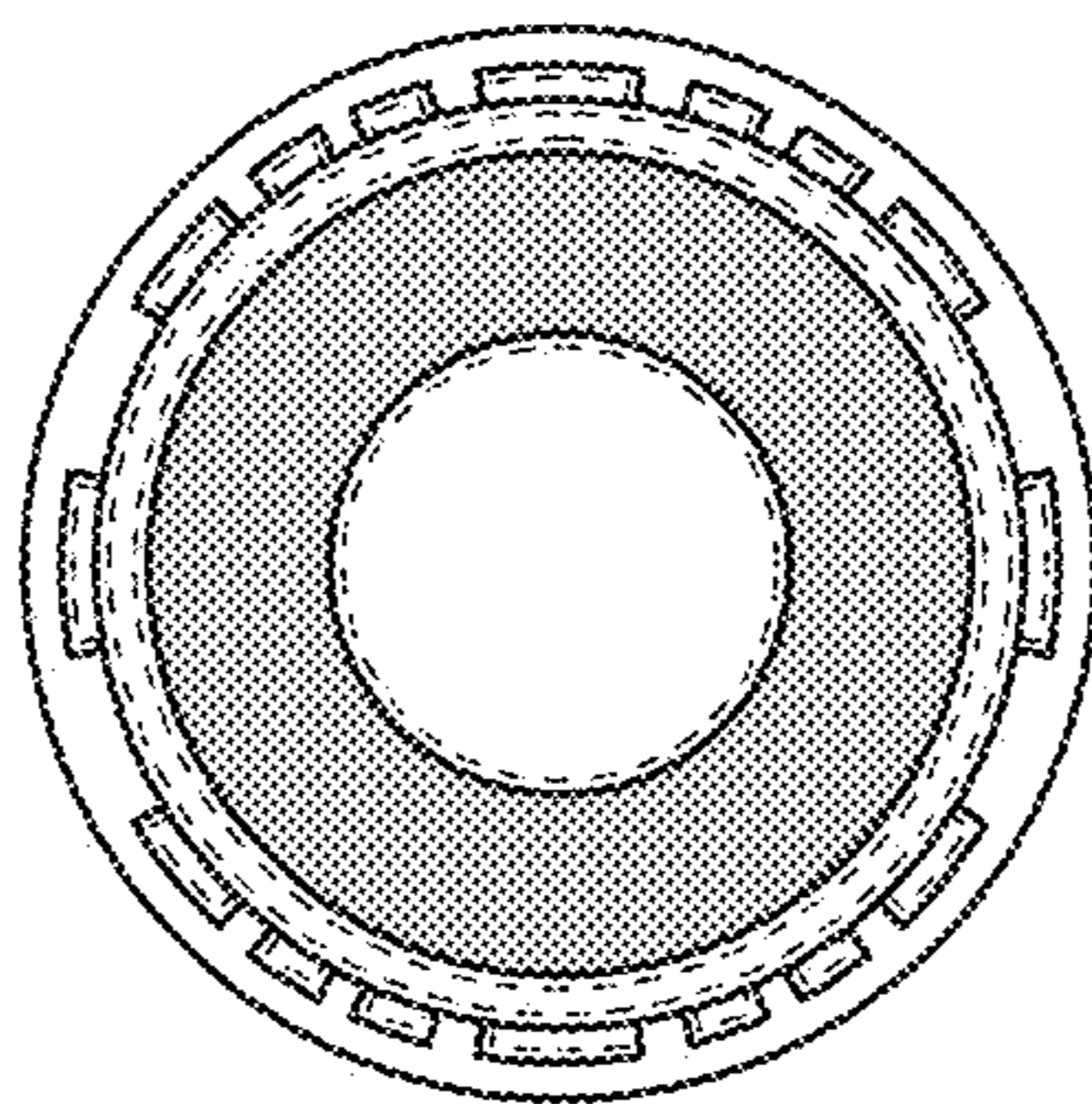


FIG. 147

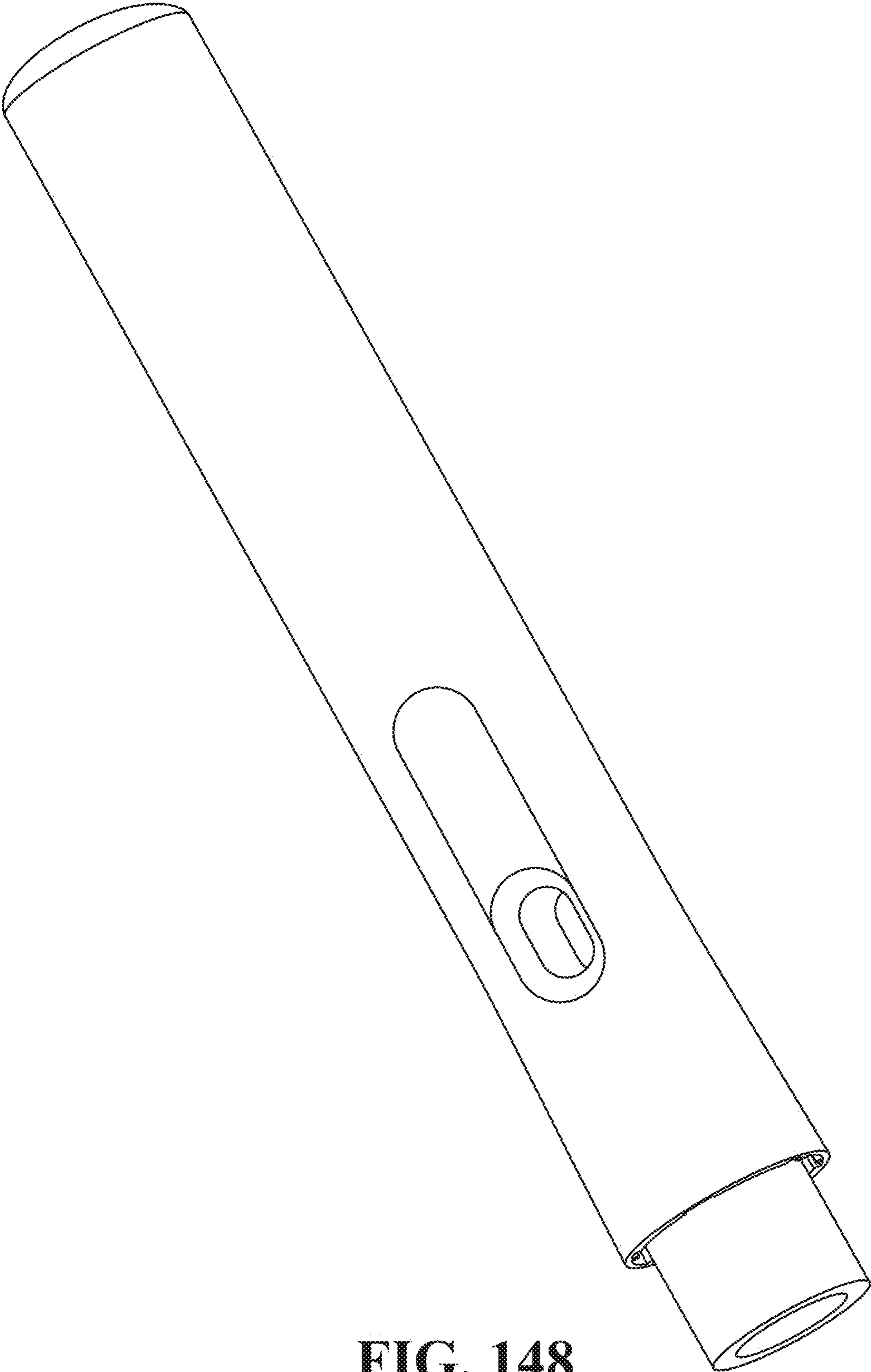


FIG. 148

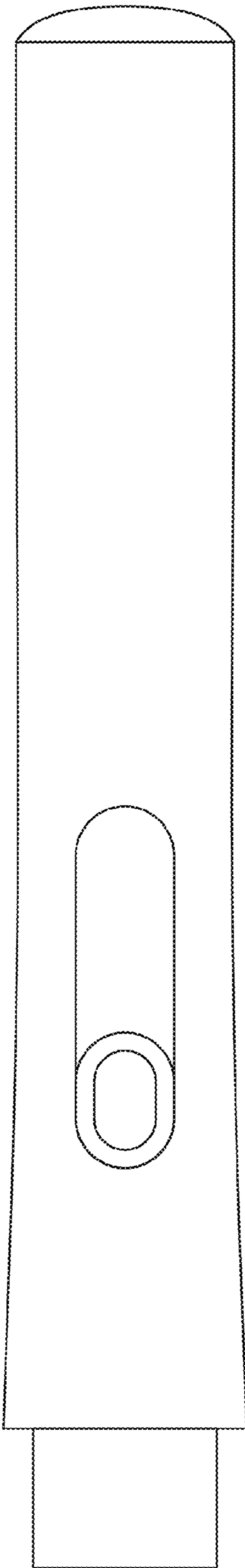


FIG. 149

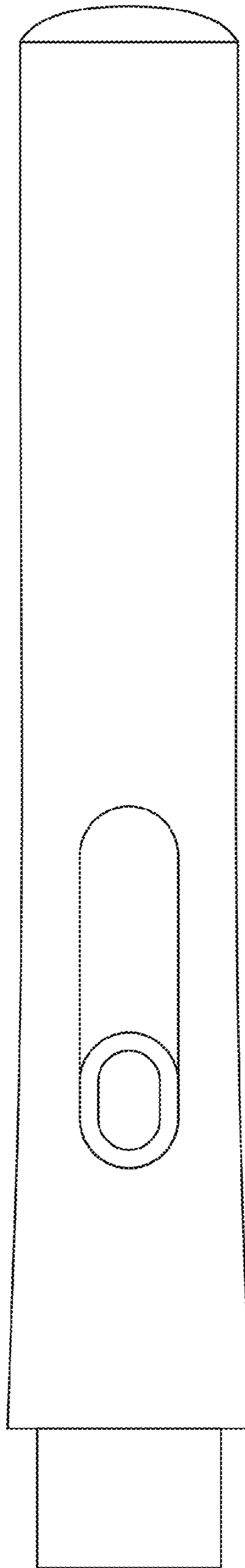


FIG. 150

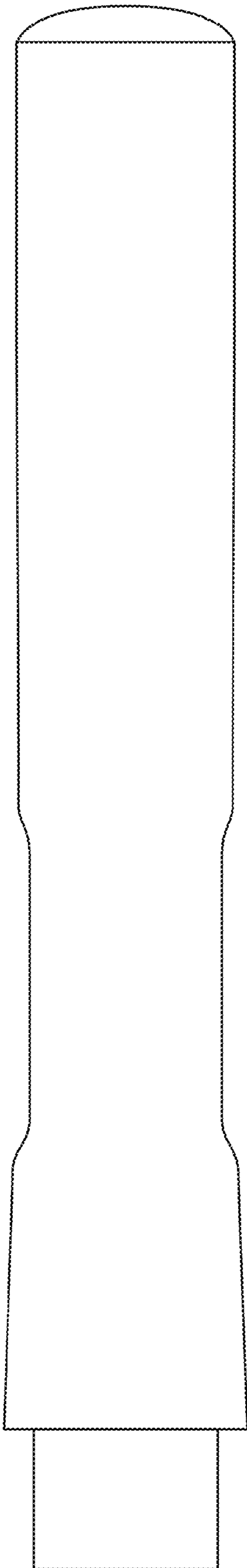


FIG. 151

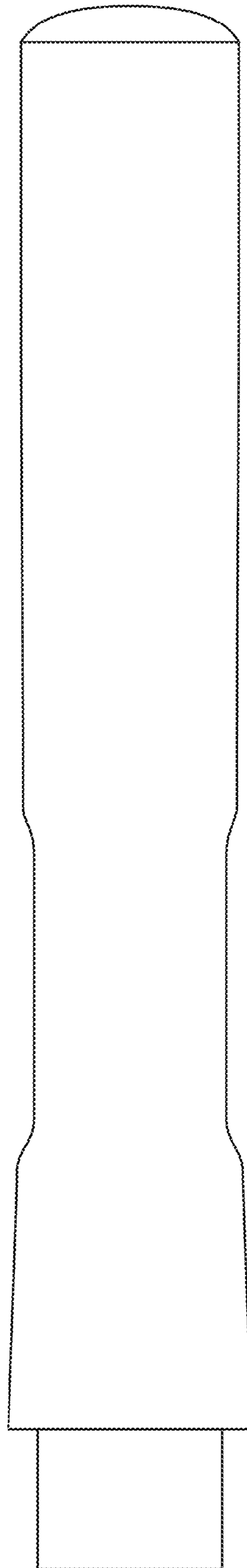


FIG. 152

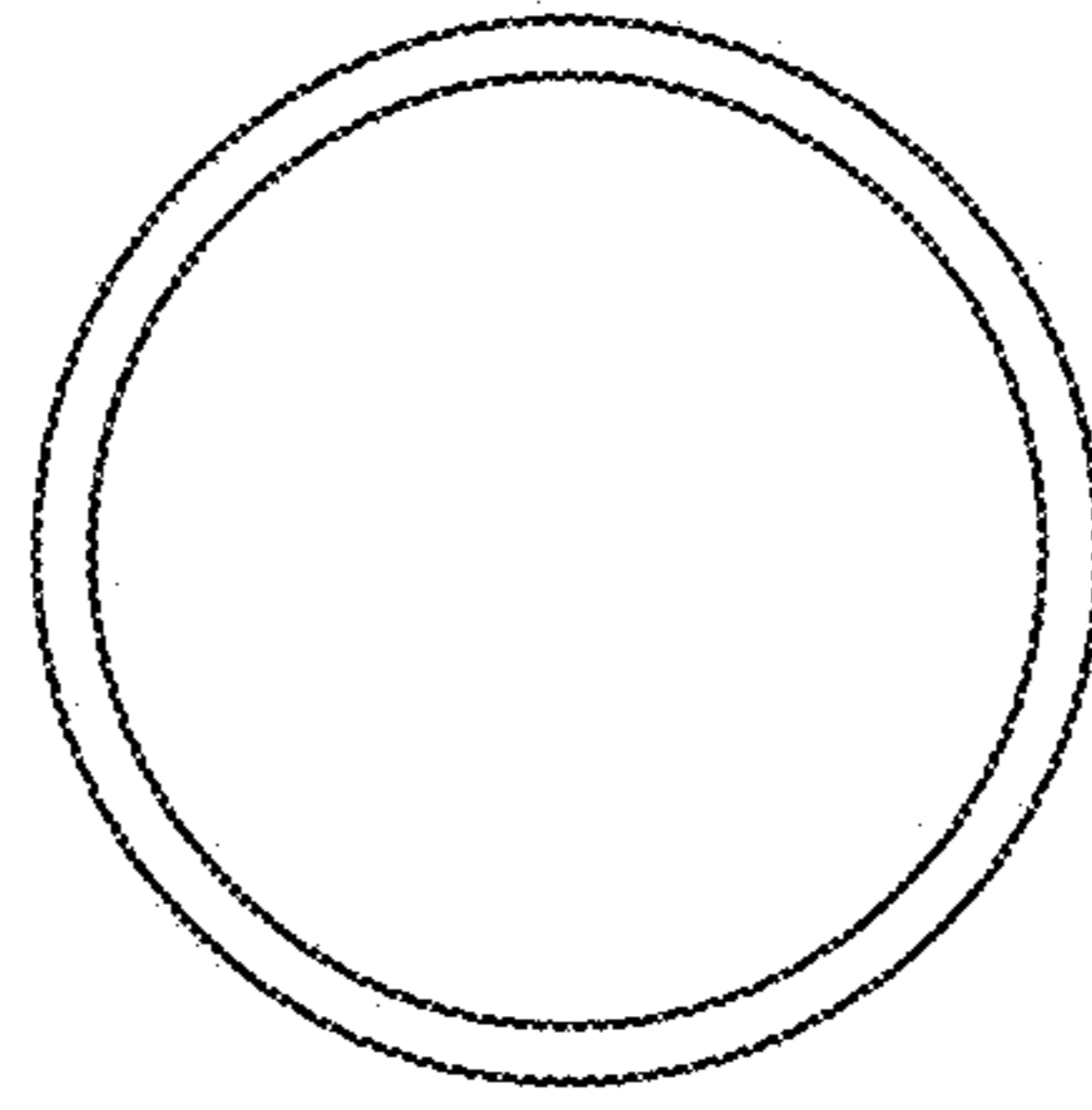


FIG. 153

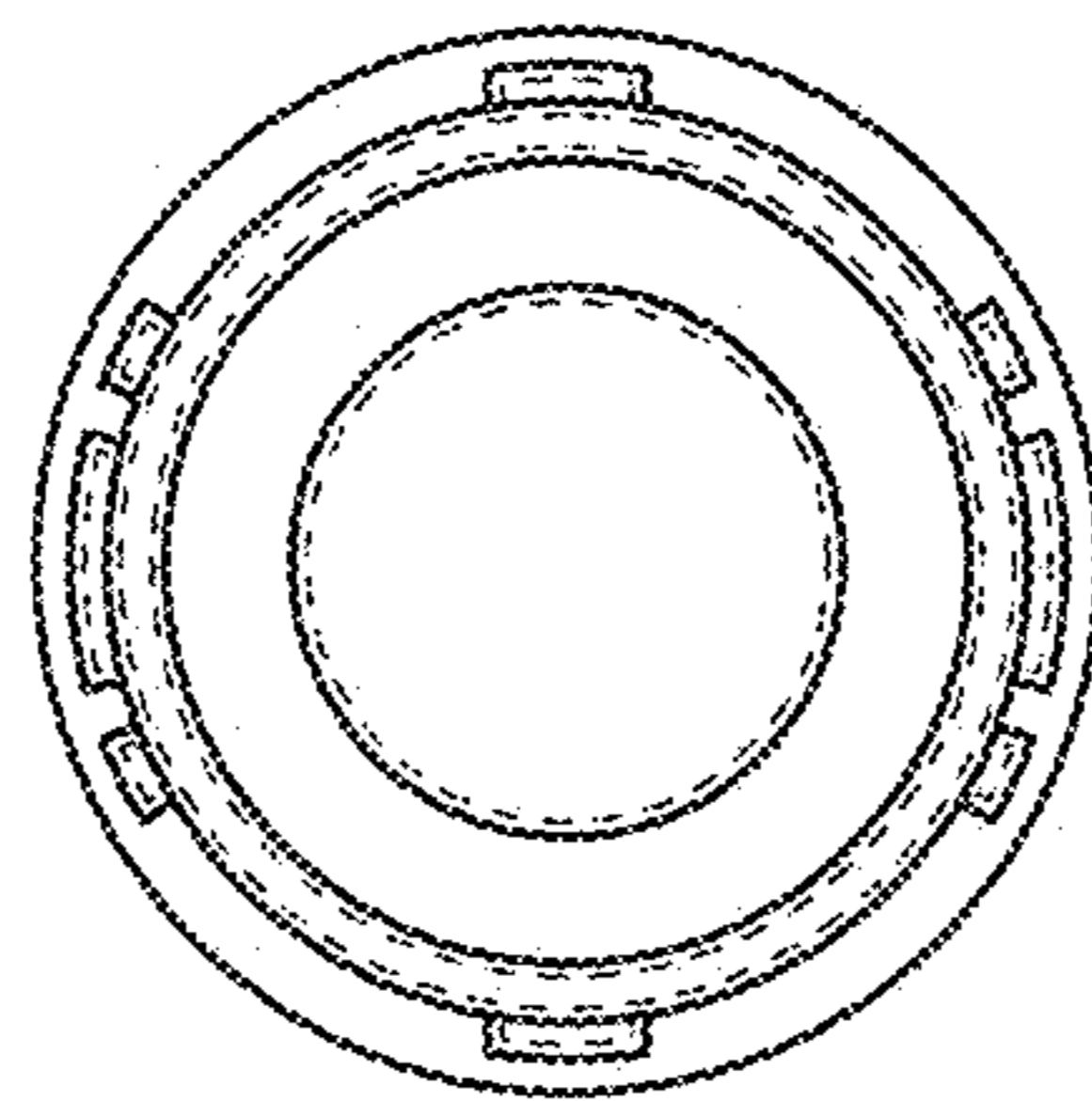


FIG. 154