



US00D988506S

(12) **United States Design Patent** (10) **Patent No.:** **US D988,506 S**  
**Nguyen et al.** (45) **Date of Patent:** **\*\* Jun. 6, 2023**

(54) **MOUTHPIECE**  
(71) Applicant: **Dryshield, LLC**, Fountain Valley, CA (US)  
(72) Inventors: **Thien Nguyen**, Santa Ana, CA (US); **Tam Thanh Pham**, San Francisco, CA (US); **Ethan Nguyen**, Santa Ana, CA (US); **Lauren Nguyen**, Santa Ana, CA (US)  
(73) Assignee: **SOLMETEX, LLC**, Northborough, MA (US)

2,019,612 A 11/1935 Langhans et al.  
2,937,445 A 5/1960 Erickson  
3,090,122 A 5/1963 Erickson  
3,453,735 A 7/1969 Burt et al.  
3,516,160 A 6/1970 Leffler et al.  
3,758,950 A 9/1973 Krouzian  
3,768,477 A 10/1973 Anders et al.

(Continued)

**FOREIGN PATENT DOCUMENTS**

CA 2851861 2/2016  
CA 3139689 11/2020

(Continued)

(\*\*) Term: **15 Years**  
(21) Appl. No.: **29/782,644**  
(22) Filed: **May 7, 2021**

**OTHER PUBLICATIONS**

Dryshield brochure. Dryshield.com. Publish date: May 2019. Retrieval date: Sep. 15, 2021. Retrieved from internet: [https://dryshield.com/ds/Brochure\\_May2019.pdf](https://dryshield.com/ds/Brochure_May2019.pdf) (Year: 2019).\*

(Continued)

**Related U.S. Application Data**

(63) Continuation of application No. 16/870,745, filed on May 8, 2020.  
(51) **LOC (14) Cl.** ..... **24-01**  
(52) **U.S. Cl.**  
USPC ..... **D24/108**  
(58) **Field of Classification Search**  
USPC .... D24/108, 110.5, 111-113, 127, 129, 152, D24/176  
CPC . A61C 17/02; A61C 17/0202; A61C 17/0205; A61C 17/0208; A61C 17/0211; A61C 17/06; A61C 17/065; A61C 17/08; A61C 17/092; A61C 17/096; A61C 17/10; A61C 17/12; A61M 1/0023; A61M 1/0058  
See application file for complete search history.

*Primary Examiner* — Eric L Goodman  
*Assistant Examiner* — Lee D. Starr

(74) *Attorney, Agent, or Firm* — Polsinelli PC

(57) **CLAIM**

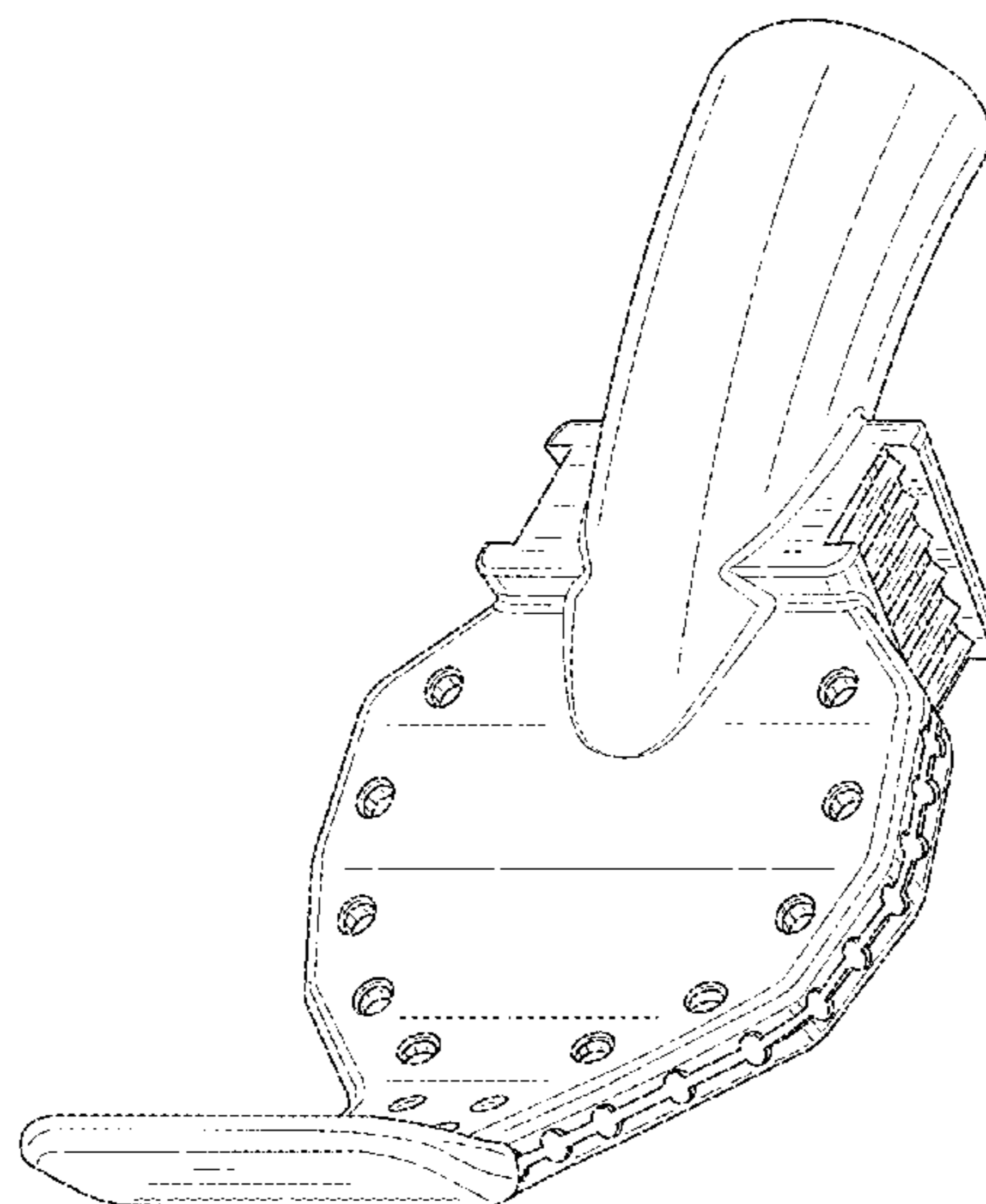
The ornamental design for a mouthpiece, as shown and described.

**DESCRIPTION**

FIG. 1 is a perspective view of a mouthpiece showing our new design.  
FIG. 2 is a top view thereof.  
FIG. 3 is a bottom view thereof.  
FIG. 4 is a left side view thereof, with the right side view being a mirror image thereof; and,  
FIG. 5 is a rear view thereof.  
The broken lines shown in the Figures show portions of the mouthpiece that form no part of the claimed design.

(56) **References Cited**  
U.S. PATENT DOCUMENTS  
50,461 A 10/1865 Dibble  
1,471,207 A 10/1923 Napoleon  
1,731,322 A 10/1929 Riddle

**1 Claim, 5 Drawing Sheets**



(56)

References Cited

U.S. PATENT DOCUMENTS

3,802,081 A 4/1974 Rogers  
 3,857,181 A 12/1974 Rappaport  
 3,877,691 A 4/1975 Foster  
 3,924,333 A 12/1975 Erickson  
 4,017,975 A 4/1977 Johnson  
 4,024,642 A 5/1977 Zorovich  
 4,083,115 A 4/1978 McKelvey  
 4,167,814 A 9/1979 Schubert  
 4,192,071 A 3/1980 Erickson  
 D267,586 S 1/1983 Hatlen  
 4,511,329 A 4/1985 Diamond  
 4,718,662 A 1/1988 North  
 4,802,851 A 2/1989 Rhoades  
 4,822,278 A 4/1989 Oliva et al.  
 4,975,057 A 12/1990 Dyfvermark  
 5,009,595 A 4/1991 Osborn  
 5,037,298 A 8/1991 Hickham  
 5,078,602 A 1/1992 Honoshofsky  
 5,460,524 A 10/1995 Anderson  
 D364,456 S 11/1995 Solnit et al.  
 5,516,286 A 5/1996 Kushner  
 5,588,836 A 12/1996 Landis et al.  
 5,720,275 A 2/1998 Patil et al.  
 5,730,599 A 3/1998 Pak  
 5,762,496 A 6/1998 Albertsson et al.  
 5,890,899 A 4/1999 Sclafani  
 6,022,214 A 2/2000 Hirsch et al.  
 6,213,772 B1 4/2001 Costello  
 6,241,521 B1 6/2001 Garrison  
 6,267,591 B1 7/2001 Barstow  
 6,338,627 B2 1/2002 Hirsch et al.  
 6,575,746 B2 6/2003 Hirsch et al.  
 6,652,276 B2 11/2003 Fischer et al.  
 6,655,960 B2 12/2003 Fischer  
 6,672,305 B2 1/2004 Parker  
 6,716,029 B2 4/2004 Fischer et al.  
 D495,799 S 9/2004 Hirsch et al.  
 D497,426 S 10/2004 Hirsch et al.  
 6,908,308 B2 6/2005 Hirsch et al.  
 6,974,321 B2 12/2005 Hirsch et al.  
 7,287,981 B2 10/2007 Hirsch  
 7,293,990 B2 11/2007 Hirsch et al.  
 7,611,354 B2 11/2009 Hirsch et al.  
 D615,203 S 5/2010 Hirsch et al.  
 7,748,981 B2 7/2010 Hirsch et al.  
 8,029,280 B2 10/2011 Black et al.  
 8,057,227 B2 11/2011 Hirsch et al.  
 8,057,228 B2 11/2011 Hirsch et al.  
 8,075,310 B2 12/2011 Hirsch et al.  
 D663,831 S 7/2012 Sidhu et al.  
 D666,726 S 9/2012 Davis et al.  
 8,297,973 B2 10/2012 Hirsch et al.  
 8,529,256 B2 9/2013 Hirsch et al.  
 8,535,056 B2 9/2013 Dragan et al.  
 D696,779 S 12/2013 Hirsch et al.  
 8,911,232 B2 12/2014 Nguyen  
 D734,851 S 7/2015 Nguyen  
 9,084,656 B2 7/2015 Hirsch  
 9,089,389 B2 7/2015 Hirsch et al.  
 D735,858 S 8/2015 Hirsch et al.  
 D737,964 S 9/2015 Jessop et al.  
 9,358,086 B2 6/2016 Hirsch  
 D782,047 S 3/2017 Ritter  
 D782,048 S 3/2017 Ritter  
 D787,069 S 5/2017 Ritter  
 D787,070 S 5/2017 Ritter  
 9,788,924 B2 10/2017 Nguyen  
 D809,660 S 2/2018 Nguyen  
 9,968,341 B2 5/2018 Ritter  
 10,390,734 B2 8/2019 Johnson et al.  
 10,390,916 B1 8/2019 Rassibi  
 D868,958 S 12/2019 Reyes  
 D876,627 S 2/2020 Nguyen  
 10,939,979 B2 3/2021 Lombardi  
 D962,438 S 8/2022 Nguyen

D962,439 S 8/2022 Nguyen  
 11,576,764 B2 2/2023 Nguyen  
 11,589,969 B2 2/2023 Nguyen  
 11,589,970 B2 2/2023 Nguyen  
 2001/0008752 A1 7/2001 Hirsch et al.  
 2003/0134253 A1 7/2003 Hirsch et al.  
 2004/0033468 A1\* 2/2004 Fischer ..... A61C 5/90  
 433/140  
 2006/0063126 A1 3/2006 Aloise et al.  
 2006/0063129 A1 3/2006 Hirsch  
 2006/0084031 A1 4/2006 Hirsch et al.  
 2008/0166684 A1 7/2008 Kanas  
 2008/0318183 A1 12/2008 Suzman  
 2009/0123886 A1 5/2009 Vaska  
 2009/0274991 A1 11/2009 Black et al.  
 2011/0207076 A1 8/2011 Hirsch et al.  
 2011/0311942 A1 12/2011 Black et al.  
 2012/0015317 A1 1/2012 Milo  
 2012/0015320 A1 1/2012 Koo  
 2012/0237894 A1 9/2012 Maycher et al.  
 2013/0095450 A1 4/2013 Ames  
 2013/0252193 A1 9/2013 Bowman et al.  
 2014/0004478 A1 1/2014 Hirsch et al.  
 2014/0162209 A1 6/2014 Nguyen  
 2014/0212837 A1 7/2014 Nguyen  
 2014/0212838 A1 7/2014 Nguyen  
 2014/0212839 A1 7/2014 Nguyen  
 2014/0212840 A1 7/2014 Nguyen  
 2014/0212841 A1 7/2014 Nguyen  
 2014/0349249 A1\* 11/2014 Reyes ..... A61C 17/08  
 433/96  
 2015/0305842 A1 10/2015 Hirsch et al.  
 2015/0335409 A1 11/2015 Hirsch  
 2017/0156831 A1 6/2017 Reyes  
 2017/0156832 A1 6/2017 Reyes  
 2017/0156833 A1 6/2017 Reyes  
 2018/0153637 A1 6/2018 Al-Shawi et al.  
 2020/0155284 A1 5/2020 Baker  
 2020/0352680 A1 11/2020 Nguyen  
 2020/0383560 A1 12/2020 Day  
 2022/0378563 A1 12/2022 Cao et al.

FOREIGN PATENT DOCUMENTS

CN 102026587 4/2011  
 CN 102247140 11/2011  
 CN 104490483 4/2015  
 CN 105578986 A 5/2016  
 EP 2903557 8/2015  
 EP 3184076 6/2017  
 EP 3965637 3/2022  
 FR 2992161 A1 12/2013  
 GB 2 170 106 7/1986  
 JP 2022-533276 7/2022  
 KR 100654392 B1 12/2006  
 TW 202108088 3/2021  
 WO WO 1999/037238 7/1999  
 WO 0042939 A1 7/2000  
 WO 0061031 A1 10/2000  
 WO WO 2011/014952 2/2011  
 WO WO 2015/088577 6/2015  
 WO 2018126150 A1 7/2018  
 WO WO 2020/231864 11/2020

OTHER PUBLICATIONS

“Dryshield (single-use) vs Zryis/Isolite (single-use) mouthpieces”  
 posted by Mark Frias, RDH. Youtube. Posting date: Jan. 18, 2020.  
 Retrieval date: Sep. 15, 2021. Retrieved from internet: <https://www.youtube.com/watch?v=uKX9XahO6EY> (Year: 2020).\*  
 “Dryshield Presentation (Learn all about Dryshield)” posted by  
 Dryshield Isolation System. Youtube. Posting date: Oct. 27, 2014.  
 Retrieval date: Sep. 15, 2021. Retrieved from internet: <https://www.youtube.com/watch?v=fcbpz3ixvis> (Year: 2014).\*  
 “Dryshield Tutorial—Maximize Your Dryshield Experience” posted  
 by Dryshield Isolation System. Youtube. Posting date: Apr. 15,

(56)

**References Cited**

## OTHER PUBLICATIONS

2015. Retrieval date: Sep. 15, 2021. Retrieved from internet: <https://www.youtube.com/watch?v=L2OSYPS8Rc4> (Year: 2015).\*

PCT Application No. PCT/US2014/032892 International Preliminary Report on Patentability dated Jun. 14, 2016.

PCT Application No. PCT/US2014/032892 International Search Report and Written Opinion dated Sep. 4, 2014.

PCT Application No. PCT/US2020/032228 International Search Report and Written Opinion dated Aug. 12, 2020.

Australian Patent Application No. 2014202637; AU Examination Report dated Jan. 23, 2015.

Brazilian Patent Application No. BR1120140116377 Preliminary Office Action dated Jan. 7, 2020.

Canadian Patent Application No. 2,919,142; CA Examination Report dated May 31, 2016.

Chinese Patent Application No. 201480039991.2 First Office Action dated Dec. 29, 2016.

European Patent Application No. 14721736.8; Extended European Search Report dated Oct. 20, 2015.

European Patent Application No. 17150671.0; Extended European Search Report dated May 29, 2017.

U.S. Appl. No. 29/782,645, Thien Nguyen, Mouthpiece, filed May 7, 2021.

U.S. Appl. No. 29/780,960, Thien Nguyen, Mouthpiece Mouth Prop, filed Apr. 27, 2021.

U.S. Appl. No. 29/782,638, Thien Nguyen, Mouthpiece, filed May 7, 2021.

U.S. Appl. No. 29/782,643, Thien Nguyen, Mouthpiece, filed May 7, 2021.

U.S. Appl. No. 14/228,046; Non-Final Office Action dated Oct. 6, 2021.

U.S. Appl. No. 14/228,057; Final Office Action dated Nov. 12, 2021.

U.S. Appl. No. 29/782,645; Non-Final Office Action dated Oct. 4, 2021.

U.S. Appl. No. 29/782,638; Non-Final Office Action dated Oct. 4, 2021.

U.S. Appl. No. 29/782,643; Non-Final Office Action dated Oct. 4, 2021.

U.S. Appl. No. 14/228,054; Final Office Action dated Jan. 3, 2022.

U.S. Appl. No. 14/228,061; Non-Final Office Action dated Dec. 8, 2021.

U.S. Appl. No. 16/870,745 Non-Final Office Action dated Dec. 3, 2021.

U.S. Appl. No. 14/228,054; Office Action dated Jun. 25, 2021.

U.S. Appl. No. 16/870,745 Final Office Action dated May 12, 2022.

U.S. Appl. No. 29/782,643 Final Office Action dated May 11, 2022.

PCT Application No. PCT/US2020/032228 International Preliminary Report on Patentability dated Nov. 16, 2021.

U.S. Appl. No. 14/228,057; Office Action dated Sep. 2, 2022.

U.S. Appl. No. 14/228,057; Final Office Action dated Jan. 5, 2023.

U.S. Appl. No. 16/870,745 Office Action dated Feb. 17, 2023.

\* cited by examiner

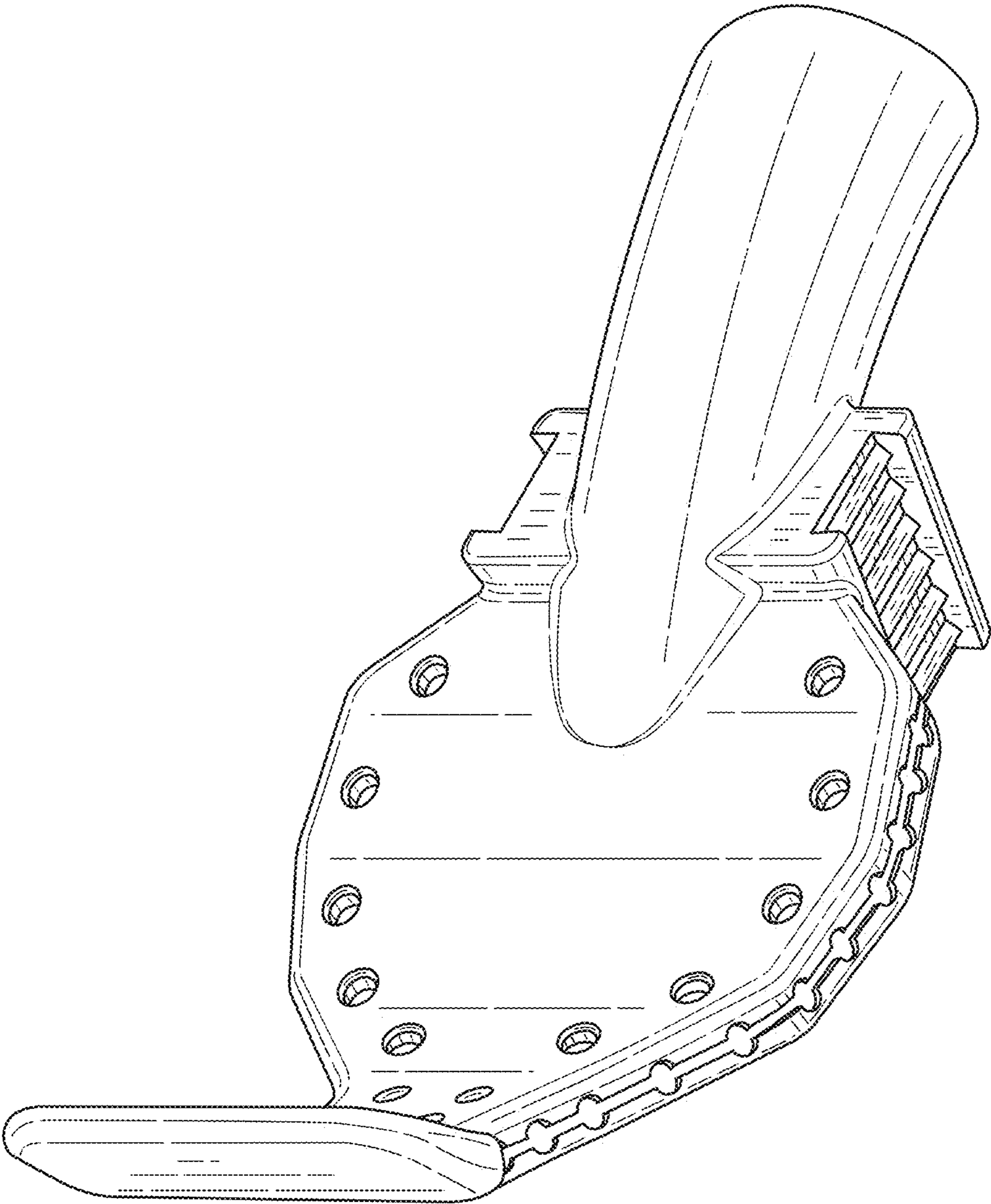


FIG.1

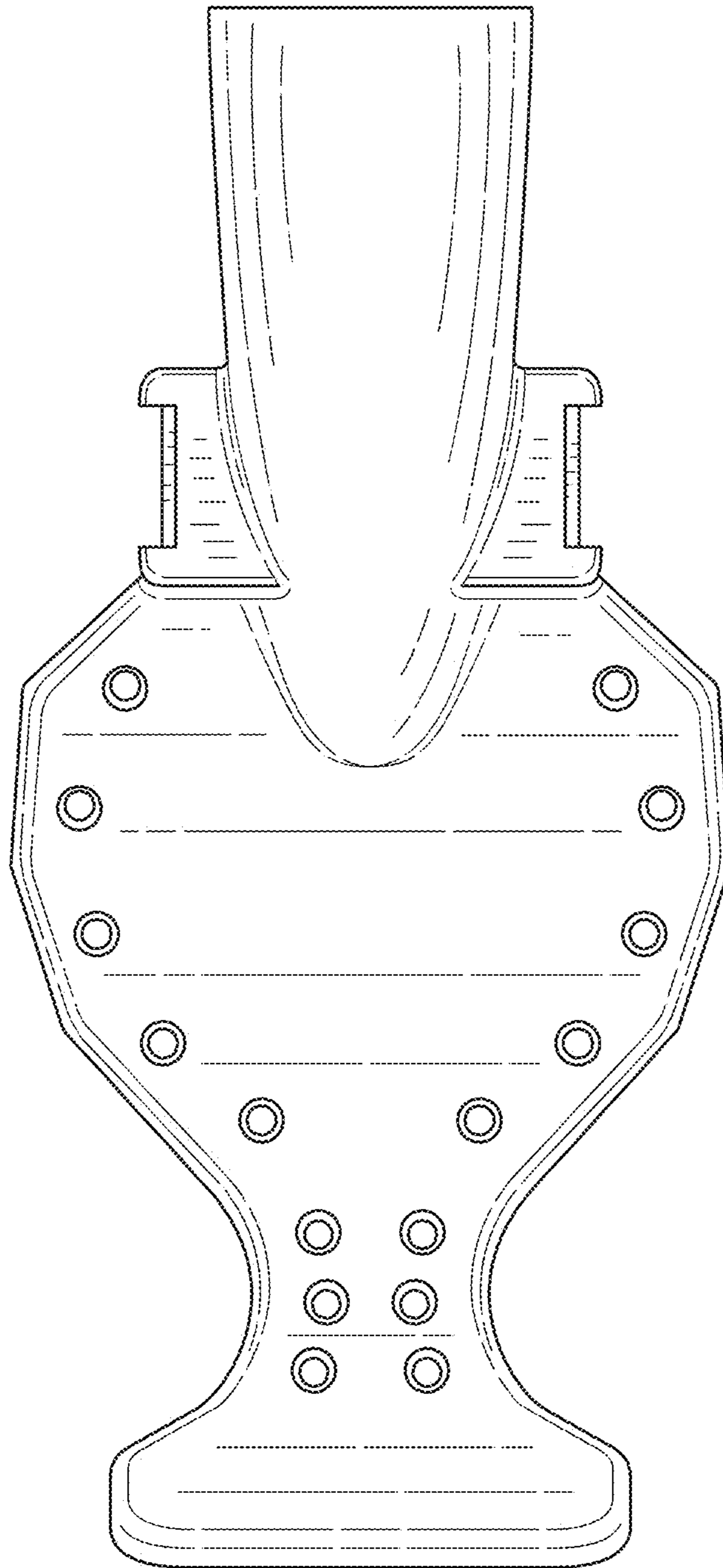


FIG.2

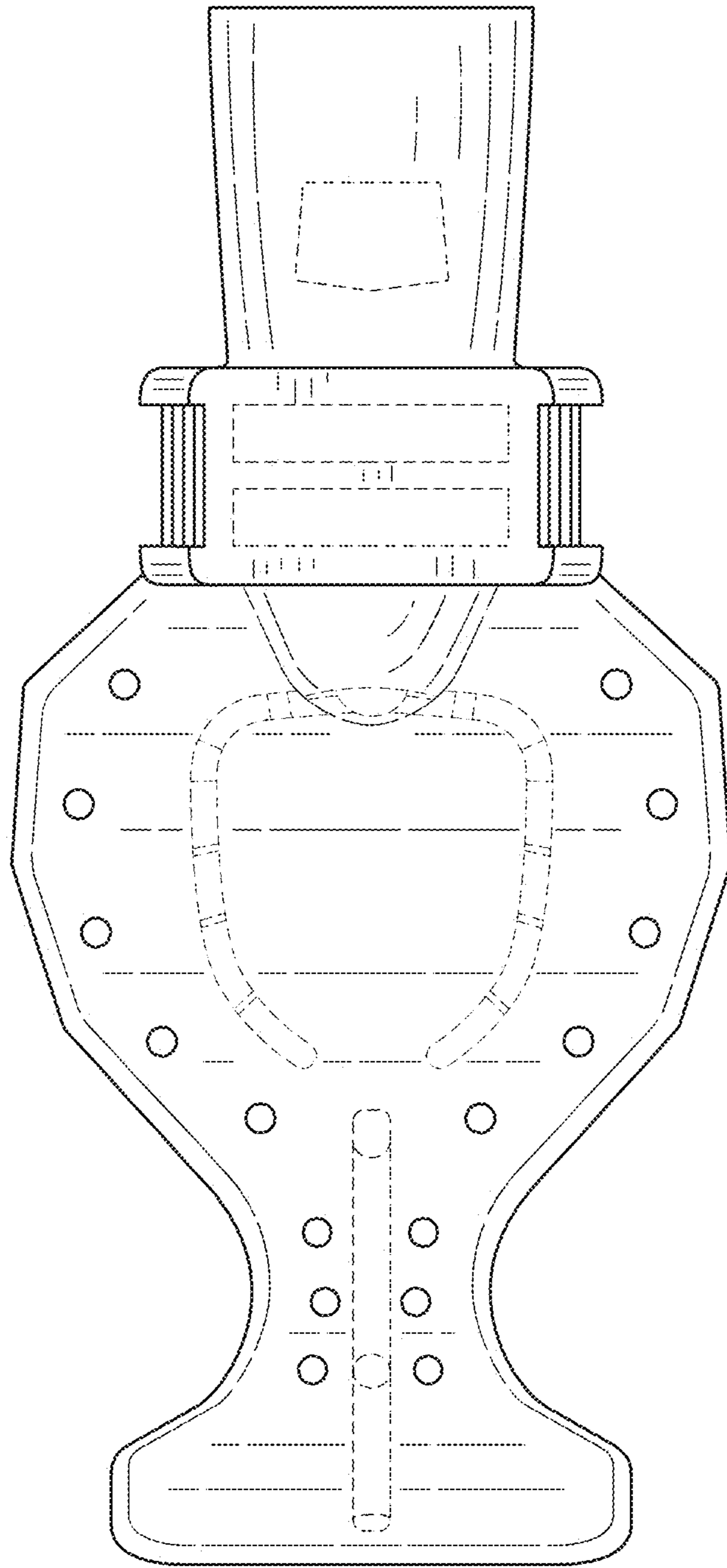


FIG.3

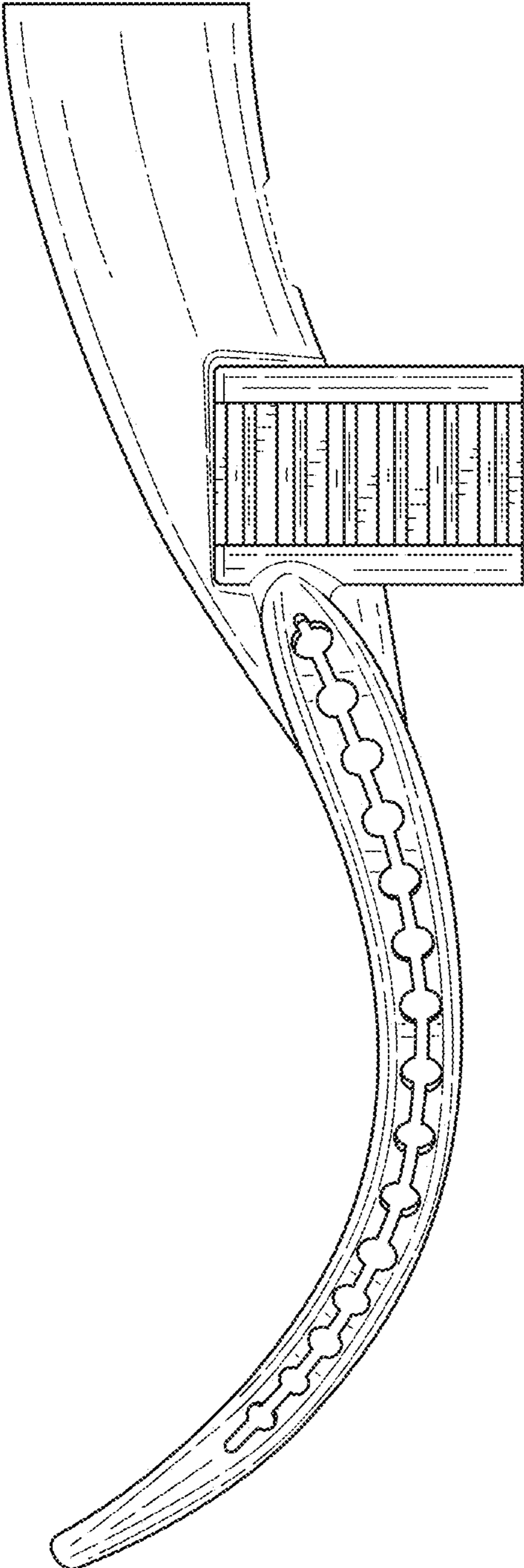


FIG.4

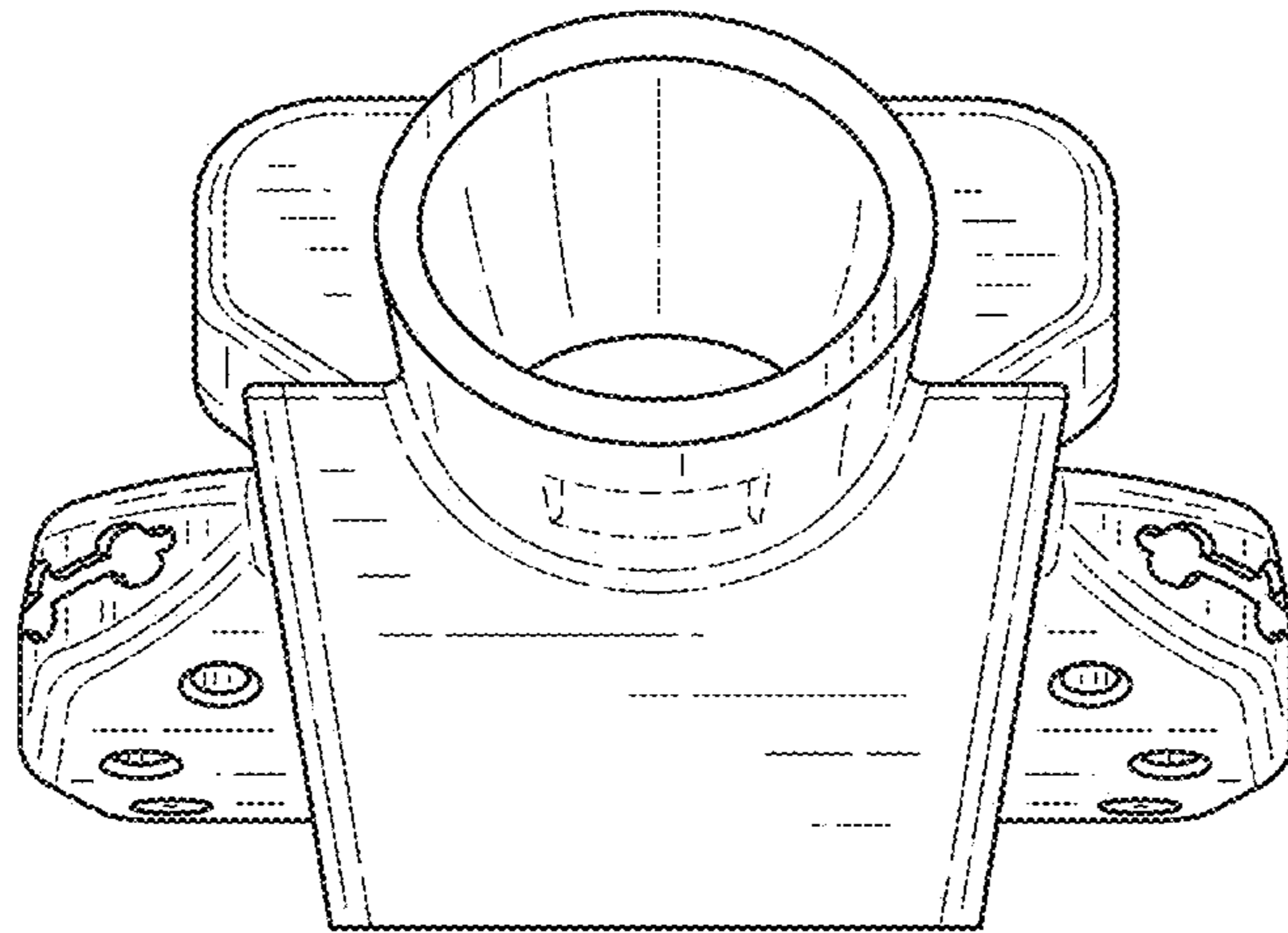


FIG.5