



US00D988503S

(12) **United States Design Patent** (10) **Patent No.:** **US D988,503 S**
Prentice et al. (45) **Date of Patent:** **** Jun. 6, 2023**

(54) **FACE MASK CUSHION**
(71) Applicant: **Fisher & Paykel Healthcare Limited**,
Auckland (NZ)
(72) Inventors: **Craig Robert Prentice**, Auckland (NZ);
Bernard Tsz Lun Ip, Auckland (NZ);
Mark Arvind McLaren, Auckland
(NZ); **Kyle Gregory Brown**, Auckland
(NZ); **Chris Onin Limpin Hipolito**,
Auckland (NZ); **Mark Richard**
Tomlinson, Auckland (NZ); **Melissa**
Catherine Bornholdt, Auckland (NZ)
(73) Assignee: **Fisher & Paykel Healthcare Limited**,
Auckland (NZ)
(**) Term: **15 Years**
(21) Appl. No.: **29/761,991**
(22) Filed: **Dec. 14, 2020**

Related U.S. Application Data

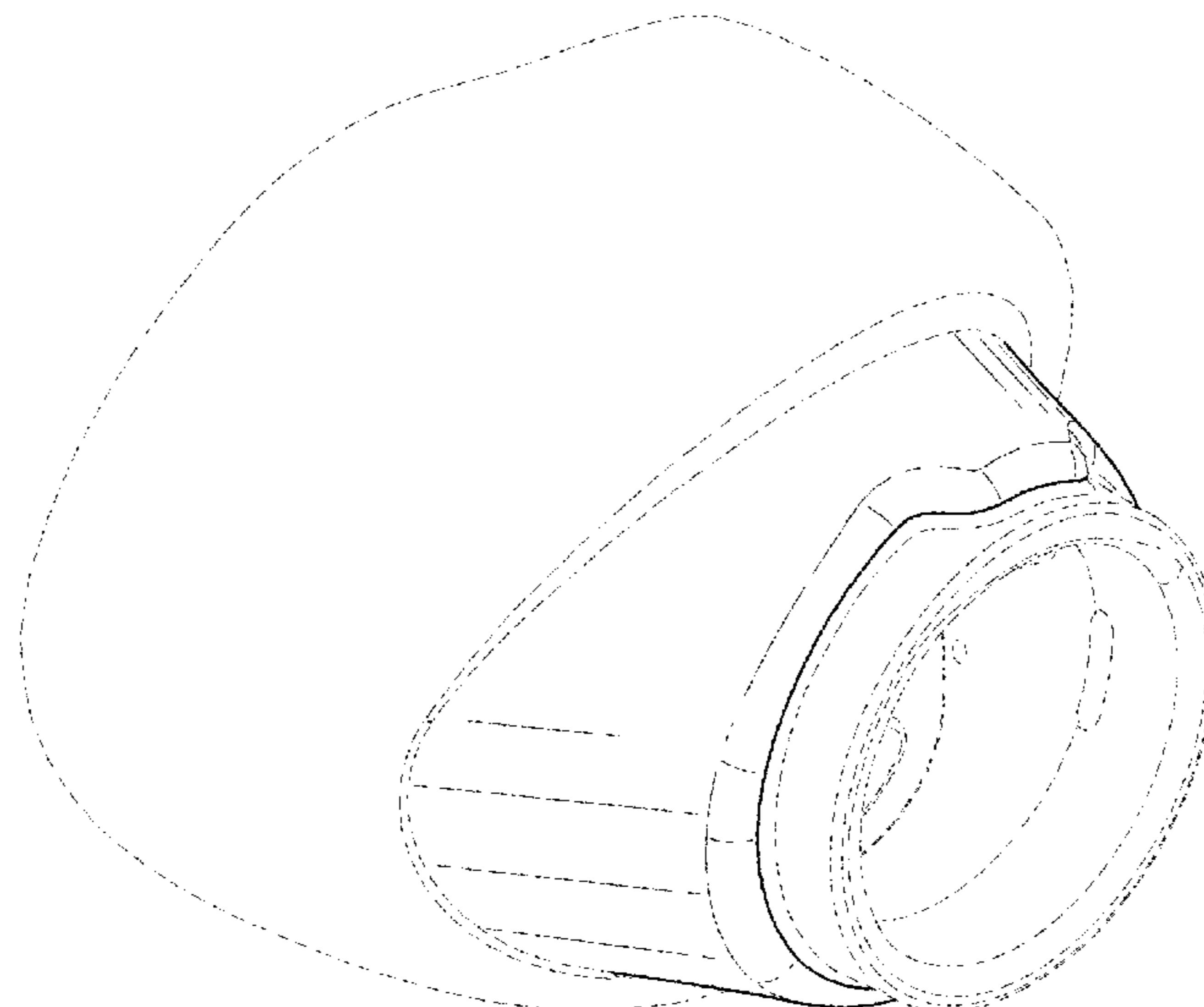
(60) Continuation of application No. 29/720,444, filed on
Jan. 13, 2020, now Pat. No. Des. 908,207, which is a
continuation of application No. 29/686,949, filed on
Apr. 9, 2019, now Pat. No. Des. 875,924, which is a
continuation of application No. 29/653,378, filed on
(Continued)
(51) **LOC (14) Cl.** **29-02**
(52) **U.S. Cl.**
USPC **D24/110.4**
(58) **Field of Classification Search**
USPC D24/110, 110.1–110.6, 127
CPC A61M 16/06; A61M 16/0605; A61M
16/0616; A61M 16/0622; A61M 16/0633;
A61M 16/0644; A61M 16/0666; A61M
16/0672; A61M 16/0683; A61M 16/08;
A61M 16/0816
See application file for complete search history.

(56) **References Cited**
U.S. PATENT DOCUMENTS
4,522,369 A 6/1985 Ansite
4,630,604 A 12/1986 Montesi
(Continued)
FOREIGN PATENT DOCUMENTS
JP D1605994 * 5/2018
OTHER PUBLICATIONS
Fisher & Paykel Announces Eson 2 Mask at Investor Day. Sleep
Review. Oct. 12, 2015. <<http://www.sleepreviewmag.com/2015/10/fisher-paykel-announces-eson-2-mask-investor-day/>>.
(Continued)
Primary Examiner — Daniel J Domino
Assistant Examiner — Lee D. Starr
(74) *Attorney, Agent, or Firm* — Knobbe Martens Olson
& Bear LLP

(57) **CLAIM**
The ornamental design for a face mask cushion, as shown
and described.

DESCRIPTION
FIG. 1 is a top, front, and left side perspective view of a face
mask cushion;
FIG. 2 is a top, rear, and left side perspective view thereof;
FIG. 3 is a front view thereof;
FIG. 4 is a rear view thereof;
FIG. 5 is a left side view thereof;
FIG. 6 is a right side view thereof;
FIG. 7 is a top view thereof; and,
FIG. 8 is a bottom view thereof.
The dashed broken lines in the figures are used to illustrate
portions of the face mask cushion that form no part of the
claimed design.

1 Claim, 8 Drawing Sheets



Related U.S. Application Data

Jun. 14, 2018, now Pat. No. Des. 849,931, which is a continuation of application No. 29/622,639, filed on Oct. 18, 2017, now Pat. No. Des. 824,022, which is a division of application No. 29/540,684, filed on Sep. 25, 2015, now Pat. No. Des. 800,895.

(56)

References Cited

U.S. PATENT DOCUMENTS

D383,204 S	9/1997	Lomas et al.	D821,569 S	1/2018	Bornholdt et al.
D476,407 S	6/2003	Snyder	D824,511 S	1/2018	Prentice et al.
6,631,718 B1	10/2003	Lovell et al.	9,878,118 B2	1/2018	Formica et al.
6,691,707 B1	2/2004	Gunaratnam et al.	D809,649 S	2/2018	Bornholdt et al.
6,817,362 B2	11/2004	Gelinas et al.	D810,277 S	2/2018	Amarasinghe
D504,947 S	5/2005	McAuley et al.	D814,020 S	3/2018	Bornholdt et al.
D539,901 S	4/2007	McAuliffe et al.	D823,455 S	7/2018	Bornholdt et al.
D550,834 S	9/2007	Samaras	D824,020 S *	7/2018	Bornholdt D24/110.4
7,290,546 B2	11/2007	Sprinkle et al.	D824,021 S	7/2018	Prentice et al.
D556,899 S	12/2007	Veliss et al.	D824,022 S	7/2018	Prentice
D579,105 S	10/2008	Jones et al.	D828,917 S	9/2018	Prentice et al.
D585,979 S	2/2009	Stallard et al.	D837,971 S	1/2019	Prentice et al.
D591,420 S	4/2009	Selvarajan et al.	D837,972 S	1/2019	Bornholdt et al.
D597,202 S	7/2009	Reid et al.	D837,973 S *	1/2019	Bornholdt D24/110.4
D597,660 S	8/2009	Maurer	D849,931 S	5/2019	Prentice et al.
D619,449 S	7/2010	Smith	D851,749 S	6/2019	Siew et al.
7,793,987 B1	9/2010	Busch et al.	D868,959 S	12/2019	Bornholdt et al.
D637,283 S	5/2011	Selvarajan et al.	D870,266 S	12/2019	Bornholdt et al.
D651,304 S	12/2011	Edwards et al.	D871,569 S	12/2019	Barbara et al.
D656,231 S	3/2012	Henry et al.	D875,924 S	2/2020	Prentice
D673,245 S	12/2012	Cooney	D876,616 S	2/2020	Prentice et al.
D679,376 S	4/2013	Von Hollen et al.	10,576,227 B2	3/2020	Mebasser et al.
D679,377 S	4/2013	Von Hollen et al.	10,576,234 B2	3/2020	Brown et al.
D679,378 S	4/2013	Von Hollen et al.	10,603,457 B2	3/2020	Chang
D683,447 S	5/2013	Olsen et al.	D882,066 S	4/2020	Niccol et al.
D685,463 S	7/2013	Veliss et al.	10,632,274 B2	4/2020	Norsted
D691,257 S	10/2013	Siew et al.	10,632,276 B2	4/2020	Fyfe et al.
D692,554 S	10/2013	Siew et al.	D884,151 S	5/2020	Eves et al.
D693,459 S	11/2013	Prentice	D892,307 S	8/2020	Wang et al.
D695,887 S	12/2013	Ozolins et al.	D895,105 S *	9/2020	Eves D24/110.4
D696,767 S	12/2013	Scheiner et al.	10,828,453 B2	11/2020	Stephenson et al.
D697,203 S	1/2014	Clarke et al.	D908,206 S	1/2021	Prentice et al.
D706,413 S	6/2014	Veliss et al.	D908,207 S *	1/2021	Prentice D24/110.4
8,789,525 B2	7/2014	Snow	10,898,662 B2	1/2021	Huddart et al.
D717,945 S	11/2014	Neff et al.	D935,602 S *	11/2021	Eves D24/110.4
8,950,404 B2	2/2015	Formica et al.	D958,696 S	7/2022	Prentice et al.
D740,934 S	10/2015	Formica et al.	2002/0020416 A1 *	2/2002	Namey B29C 45/1676 128/205.25
9,155,855 B2	10/2015	Tebbutt	2002/0023649 A1	2/2002	Gunaratnam
D748,242 S	1/2016	Campbell et al.	2002/0026934 A1	3/2002	Lithgow
D751,188 S	3/2016	Skipper et al.	2003/0196659 A1	10/2003	Gradon et al.
D752,199 S	3/2016	Berkman	2004/0035428 A1	2/2004	Olsen et al.
D753,813 S	4/2016	Ozolins et al.	2004/0083534 A1	5/2004	Ruiz
D754,328 S	4/2016	Bowsher	2004/0112377 A1	6/2004	Amarasinghe
D757,252 S	5/2016	Von Moger et al.	2005/0126573 A1	6/2005	Jaffre et al.
D758,564 S	6/2016	Eves et al.	2006/0124131 A1	6/2006	Chandran
D764,049 S	8/2016	Cullen et al.	2007/0175480 A1	8/2007	Gradon et al.
D767,750 S	9/2016	Nakai et al.	2008/0192459 A1	8/2008	Kwok et al.
D769,440 S	10/2016	Amarasinghe et al.	2008/0302366 A1 *	12/2008	McGinnis A61M 16/0633 128/206.24
D770,035 S	10/2016	Prentice et al.	2009/0194111 A1	8/2009	Fu et al.
D790,054 S	1/2017	Prentice et al.	2010/0000538 A1	1/2010	Edwards et al.
9,539,403 B2	1/2017	Eves et al.	2010/0031963 A1	2/2010	Lee et al.
D779,652 S	2/2017	Nga et al.	2010/0059058 A1	3/2010	Kuo
D782,030 S	3/2017	Prentice et al.	2011/0072553 A1	3/2011	Ho
D782,031 S	3/2017	Prentice et al.	2011/0146685 A1	6/2011	Allan
D782,032 S	3/2017	Prentice et al.	2011/0197341 A1	8/2011	Formica et al.
D782,655 S	3/2017	Blanch et al.	2011/0290253 A1	12/2011	McAuley et al.
D784,515 S	4/2017	Prentice et al.	2012/0138061 A1 *	6/2012	Dravitzki A61M 16/0825 128/205.25
D784,516 S	4/2017	Prentice et al.	2012/0204881 A1	8/2012	Davidson et al.
9,707,368 B2	7/2017	McAuley et al.	2012/0234326 A1	9/2012	Mazzone et al.
9,713,693 B2	7/2017	Parr et al.	2012/0305001 A1	12/2012	Tatkov et al.
D797,277 S	9/2017	Blanch et al.	2013/0152937 A1	6/2013	Jablonski et al.
D797,921 S	9/2017	Huang et al.	2013/0152938 A1	6/2013	Jablonski et al.
D798,439 S	9/2017	Siew et al.	2013/0239972 A1	9/2013	McAuley et al.
D800,895 S	10/2017	Prentice et al.	2014/0090649 A1	4/2014	Groll et al.
D801,500 S	10/2017	Prentice	2014/0096774 A1	4/2014	Olsen et al.
D809,132 S	1/2018	Bornholdt et al.	2014/0174446 A1	6/2014	Prentice
			2014/0216460 A1	8/2014	Bothma et al.
			2014/0236041 A1	8/2014	Gulliver et al.
			2014/0261427 A1	9/2014	Foote
			2014/0305433 A1	10/2014	Rothermel
			2014/0326246 A1	11/2014	Chodkowski et al.
			2014/0366882 A1	12/2014	Ng et al.
			2015/0000671 A1	1/2015	Frerichs et al.
			2015/0151069 A1	6/2015	Zeijlstra et al.
			2015/0174354 A1	6/2015	Matula, Jr. et al.
			2015/0174355 A1	6/2015	Willard

(56)

References Cited

U.S. PATENT DOCUMENTS

2015/0202397 A1 7/2015 Pastoor et al.
 2015/0202402 A1 7/2015 Kat
 2015/0209540 A1 7/2015 Hendricks et al.
 2015/0246200 A1 9/2015 Neff, Jr. et al.
 2015/0306320 A1 10/2015 Markus
 2015/0328422 A1 11/2015 Chodkowski
 2015/0367092 A1 12/2015 Goff et al.
 2016/0008558 A1 1/2016 Huddart et al.
 2016/0045700 A1 2/2016 Amarasinghe et al.
 2016/0067441 A1 3/2016 Salmon et al.
 2016/0067442 A1 3/2016 Salmon et al.
 2016/0074611 A1 3/2016 Higgins et al.
 2016/0082218 A1 3/2016 Lau et al.
 2016/0121067 A1 5/2016 VanMiddendorp et al.
 2016/0151596 A1 6/2016 Slight et al.
 2016/0220781 A1 8/2016 Arrowsmith et al.
 2016/0250436 A1 9/2016 Brown et al.
 2016/0287915 A1 10/2016 Lenfeld et al.
 2016/0325067 A1 11/2016 Harwood et al.
 2016/0354572 A1 12/2016 Lim
 2017/0065786 A1 3/2017 Stephenson et al.
 2017/0087329 A1 3/2017 Huddart et al.
 2017/0232219 A1 8/2017 Dravitzki et al.
 2017/0239437 A1 8/2017 Scheirlink et al.
 2017/0246411 A1 8/2017 Mashal et al.
 2017/0281894 A1 10/2017 Walls et al.
 2017/0312470 A1 11/2017 Norsted
 2017/0326325 A1 11/2017 Allan et al.
 2017/0333657 A1 11/2017 Stephenson et al.
 2017/0368288 A1 12/2017 Stephens et al.
 2018/0008794 A1 1/2018 Salmon et al.
 2018/0133429 A1 5/2018 Reddy
 2018/0140797 A1 5/2018 Gunaratnam et al.
 2018/0185598 A1 7/2018 Olsen et al.
 2018/0185600 A1 7/2018 Jablonski
 2018/0207384 A1 7/2018 Zhou et al.
 2018/0207389 A1 7/2018 Fyfe et al.
 2018/0214655 A1 8/2018 Kooij
 2018/0250485 A1 9/2018 Zhan et al.
 2018/0280648 A1 10/2018 Baiko
 2018/0304035 A1 10/2018 Chang
 2018/0318540 A1 11/2018 Barlow et al.
 2018/0361101 A1 12/2018 Frerichs et al.
 2018/0369529 A1 12/2018 Grashow et al.
 2019/0001094 A1 1/2019 Liu et al.
 2019/0091429 A1 3/2019 Skipper et al.
 2019/0160249 A1 5/2019 Rose et al.
 2019/0175863 A1 6/2019 Hocking et al.
 2019/0184126 A1 6/2019 Todd et al.
 2019/0217040 A1 7/2019 Amarasinghe et al.

2019/0255275 A1 8/2019 Dravitzki et al.
 2019/0258749 A1 8/2019 Ho
 2019/0314593 A1 10/2019 Judson et al.
 2019/0314594 A1 10/2019 Eifler
 2019/0372369 A1 12/2019 Wing et al.
 2020/0001034 A1 1/2020 Chen et al.
 2020/0016356 A1 1/2020 Patel et al.
 2020/0129724 A1 4/2020 Nelson et al.
 2020/0206446 A1 7/2020 Blaxland
 2020/0215289 A1 7/2020 Harwood et al.
 2020/0254208 A1 8/2020 Brown et al.
 2020/0353199 A1 11/2020 Salmon et al.
 2021/0001072 A1 1/2021 Lim et al.
 2021/0106780 A1 4/2021 Nelson
 2021/0113788 A1 4/2021 Huddart
 2021/0187234 A1 6/2021 Tebbutt et al.
 2022/0016374 A1 1/2022 Lucey et al.

OTHER PUBLICATIONS

New—Eson 2 Fisher & Paykel Nasal Mask. CPAP Victoria: Snoring & Sleep Apnoea Solutions. cpapvictoria.com.au. Date accessed: May 21, 2016. <<http://cpapvictoria.com.au/new-eson-2-fisher-paykel-nasal-mask.html>>.

Fisher & Paykel Eson 2 Nasal Mask. CPAP Direct. cpapdirect.com.au. Date accessed: May 21, 2016. <<https://cpapdirect.com.au/wp-content/uploads/2-15/12/Eson2-Exploded-Image.jpg>>.

Swivel for Fisher Paykel Eson2 Nasal Mask #400FPH241. CPAP Australia. www.cpapastralia.com.au. Date accessed: May 21, 2016. <<https://www.cpapastralia.com.au/shopping/swivel-for-fisher-paykel-eson2-nasal-mask-400fph241.html>>.

Office Action for U.S. Appl. No. 29/540,662 dated May 19, 2016.

Office Action for U.S. Appl. No. 29/540,681 dated May 19, 2016.

Office Action for U.S. Appl. No. 29/540,693 dated Jun. 2, 2016.

Office Action for U.S. Appl. No. 29/540,684 dated Sep. 15, 2016.

Office Action for U.S. Appl. No. 29/540,680 dated Jun. 2, 2016. S-1225, image post date Jul. 30, 2017, site visited Nov. 24, 2017, (online), <https://www.tineye.com/search/5a303183b2900291d1429fe660f391f2c1a0f159/?sort=crawl_date&order=asc>.

Direct-home-medical-parts-for-cpap-masks-bipap-masks, image post date Sep. 27, 2017, site visited Nov. 24, 2017, (online), <<https://www.tineye.com/search/58ef6f11e162268d500494d731e8e5c6c671dc48/>>.

F&P Eson 2 Nasal CPAP Mask Pack with Headgear, image post date Nov. 20, 2016, site visited Nov. 24, 2017, (online), <<http://www.directhomemedical.com/eson-2-nasal-cpap-mask-fisher-paykel-healthcare.html#reviews>>.

* cited by examiner

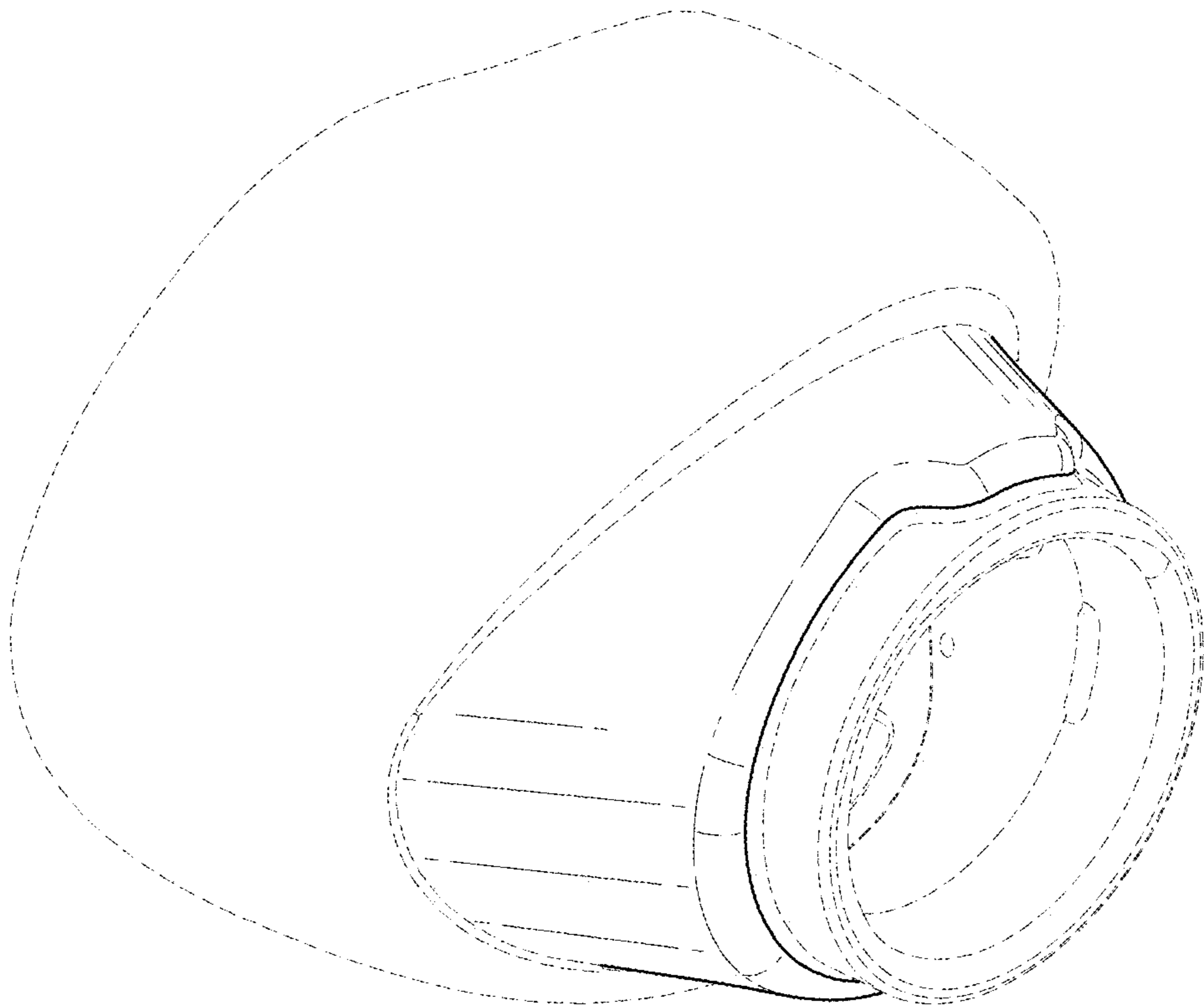


FIG. 1

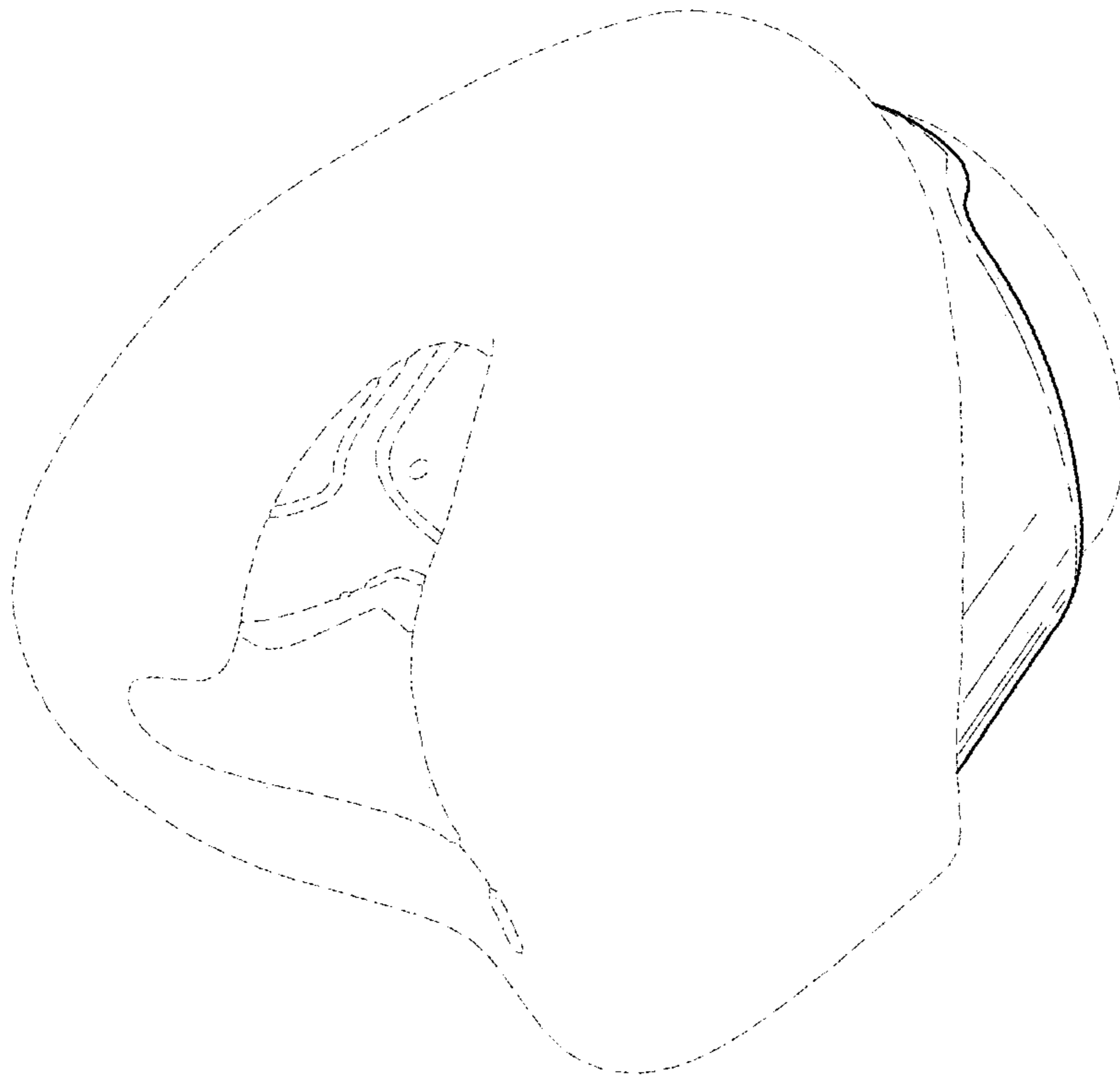


FIG. 2

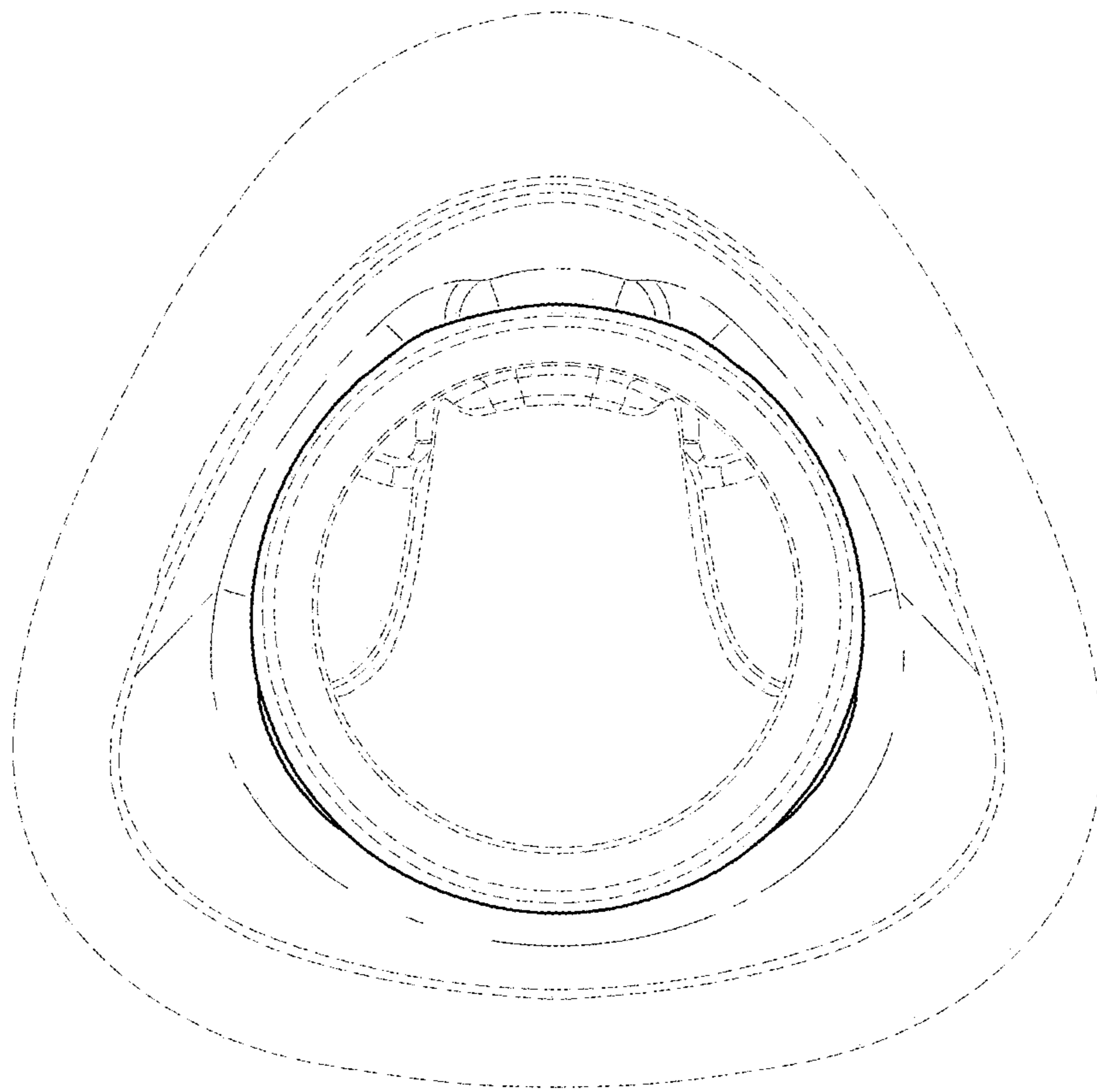


FIG. 3

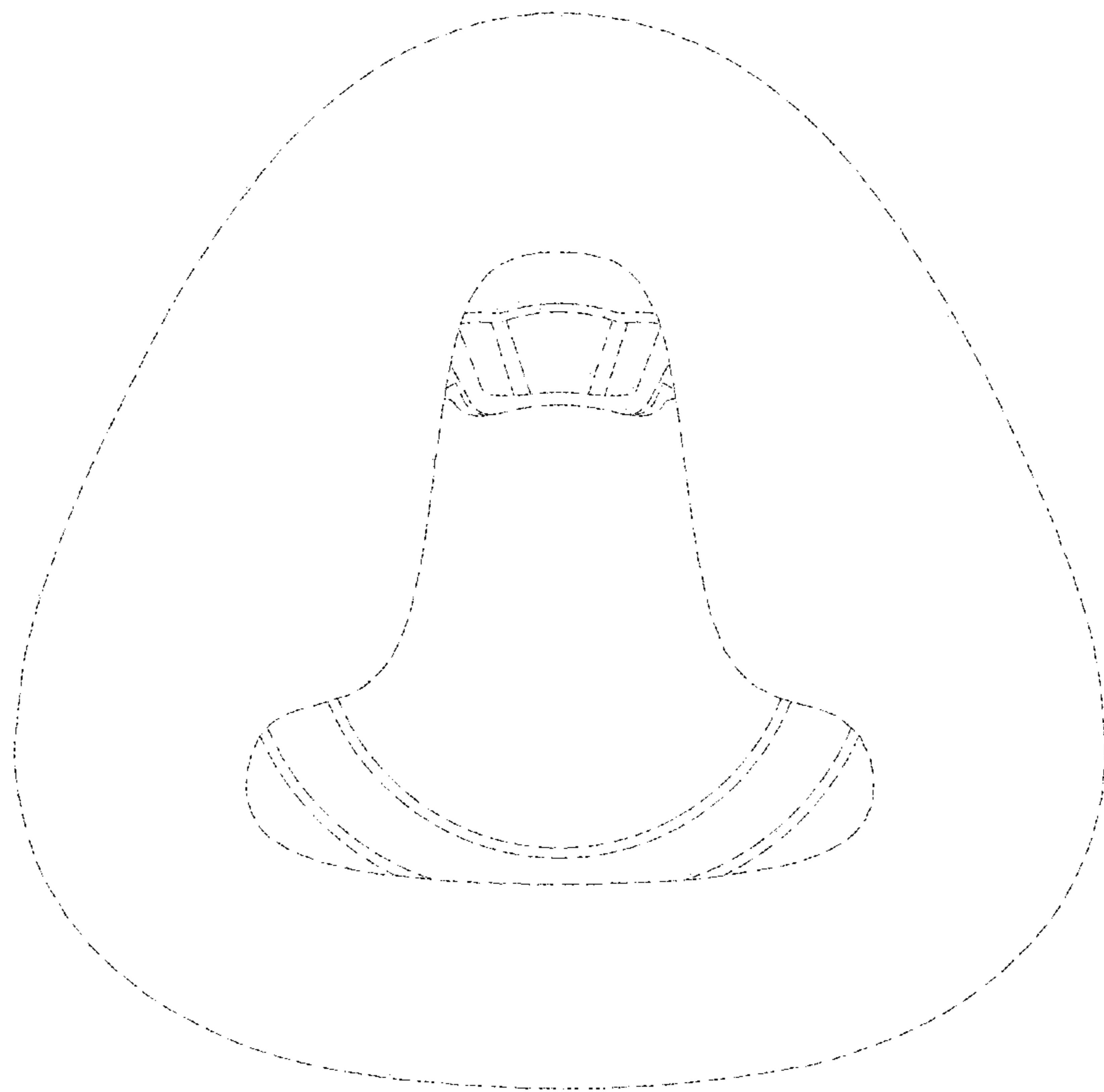


FIG. 4

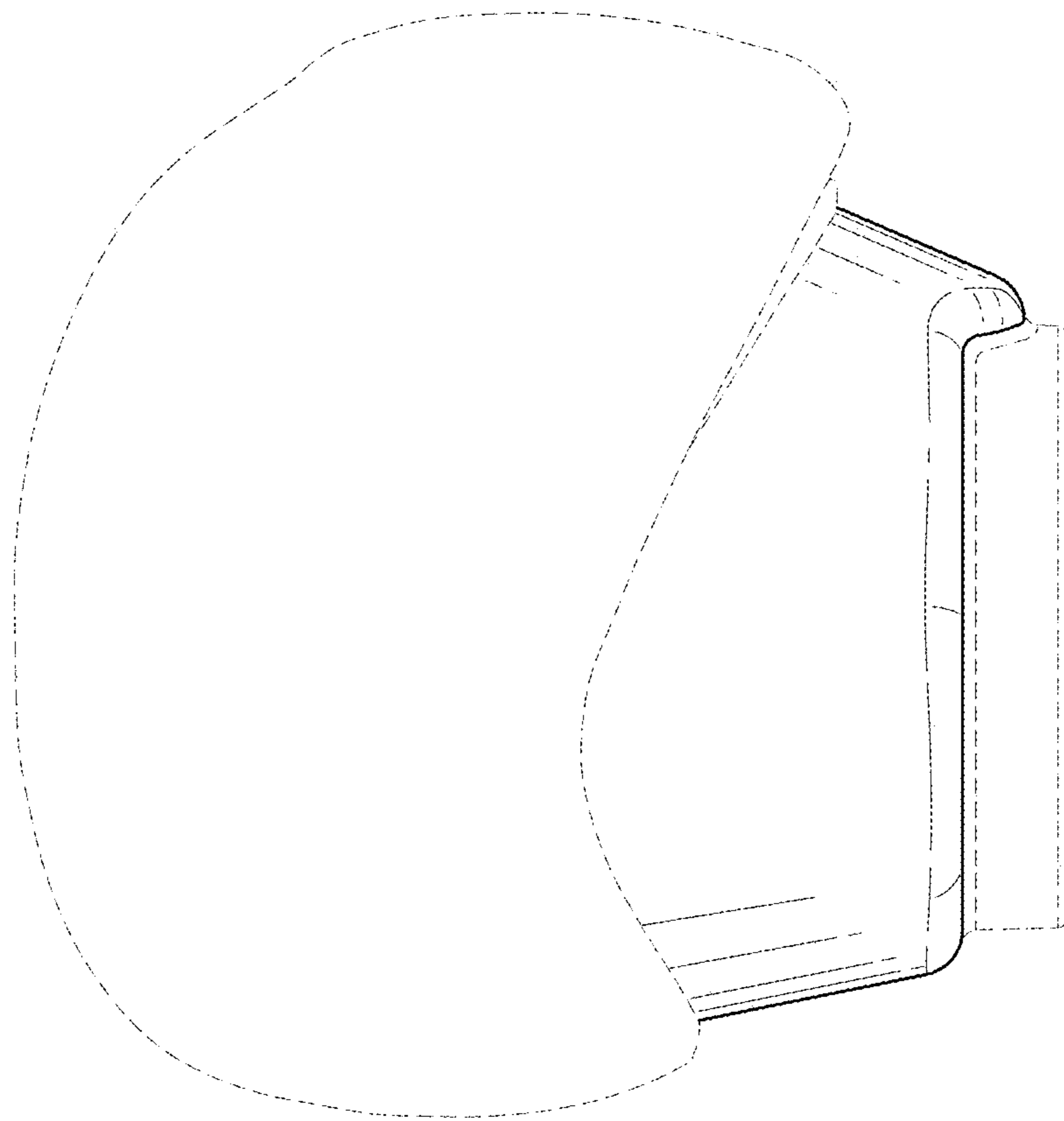


FIG. 5

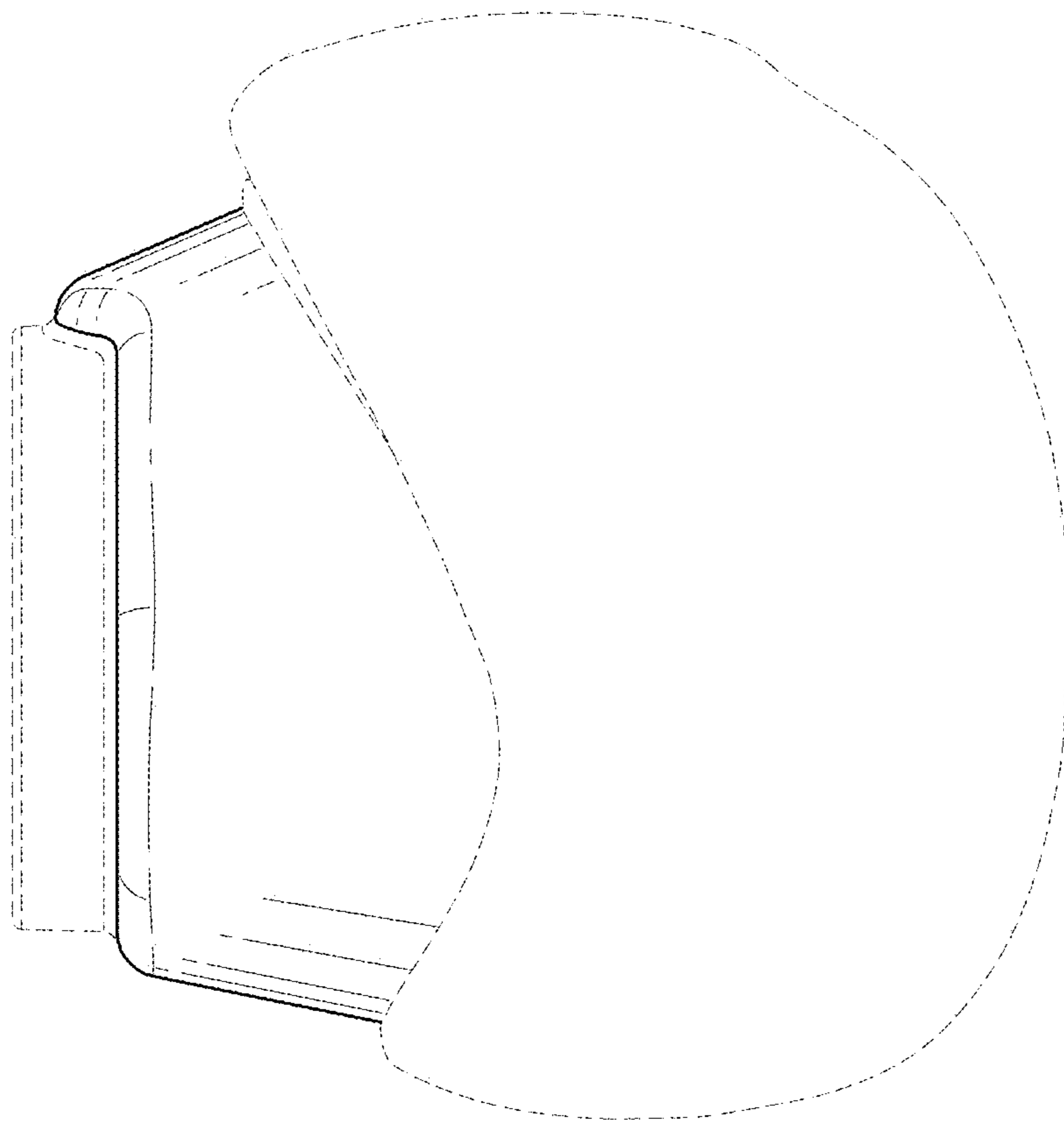


FIG. 6

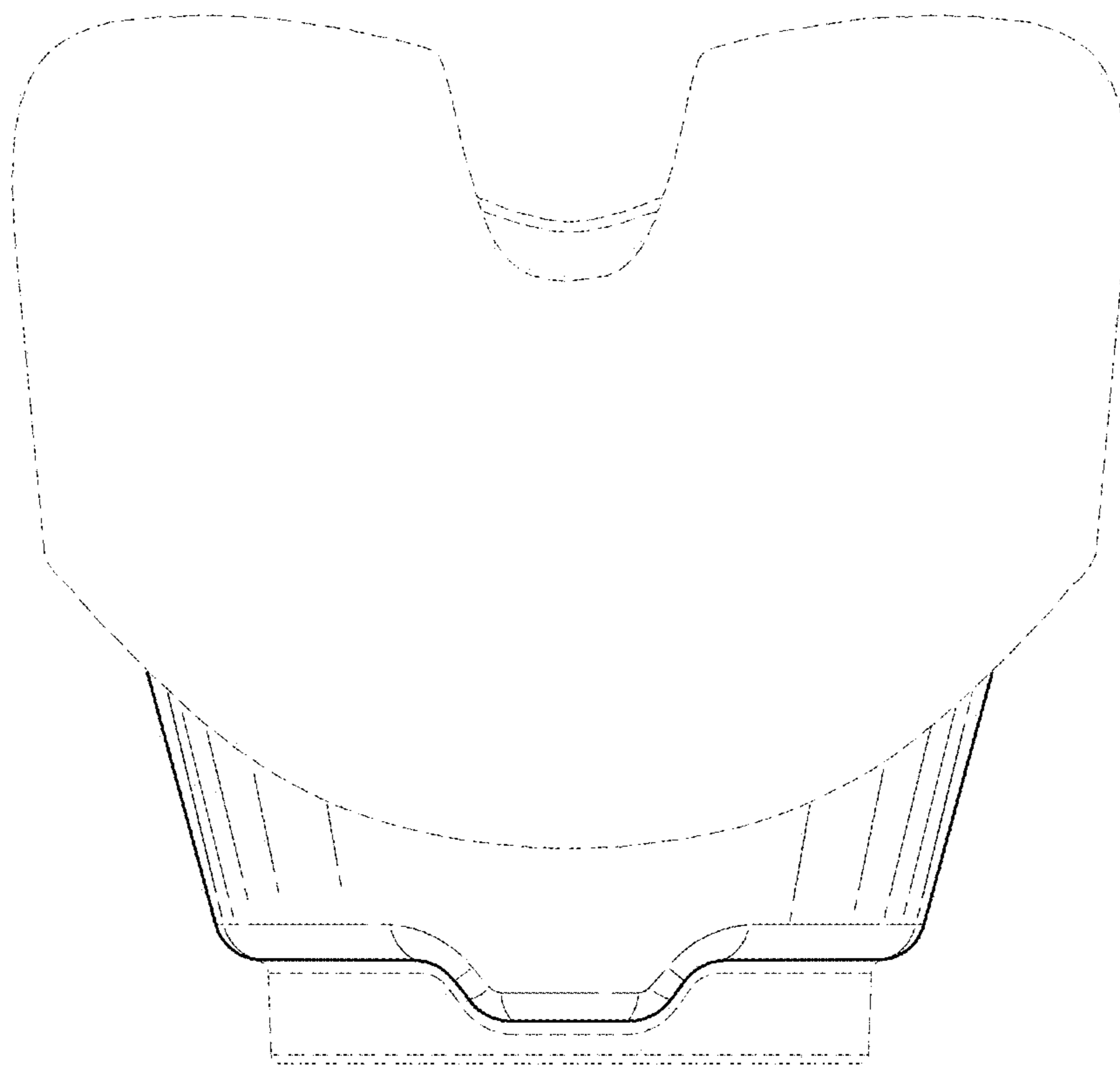


FIG. 7

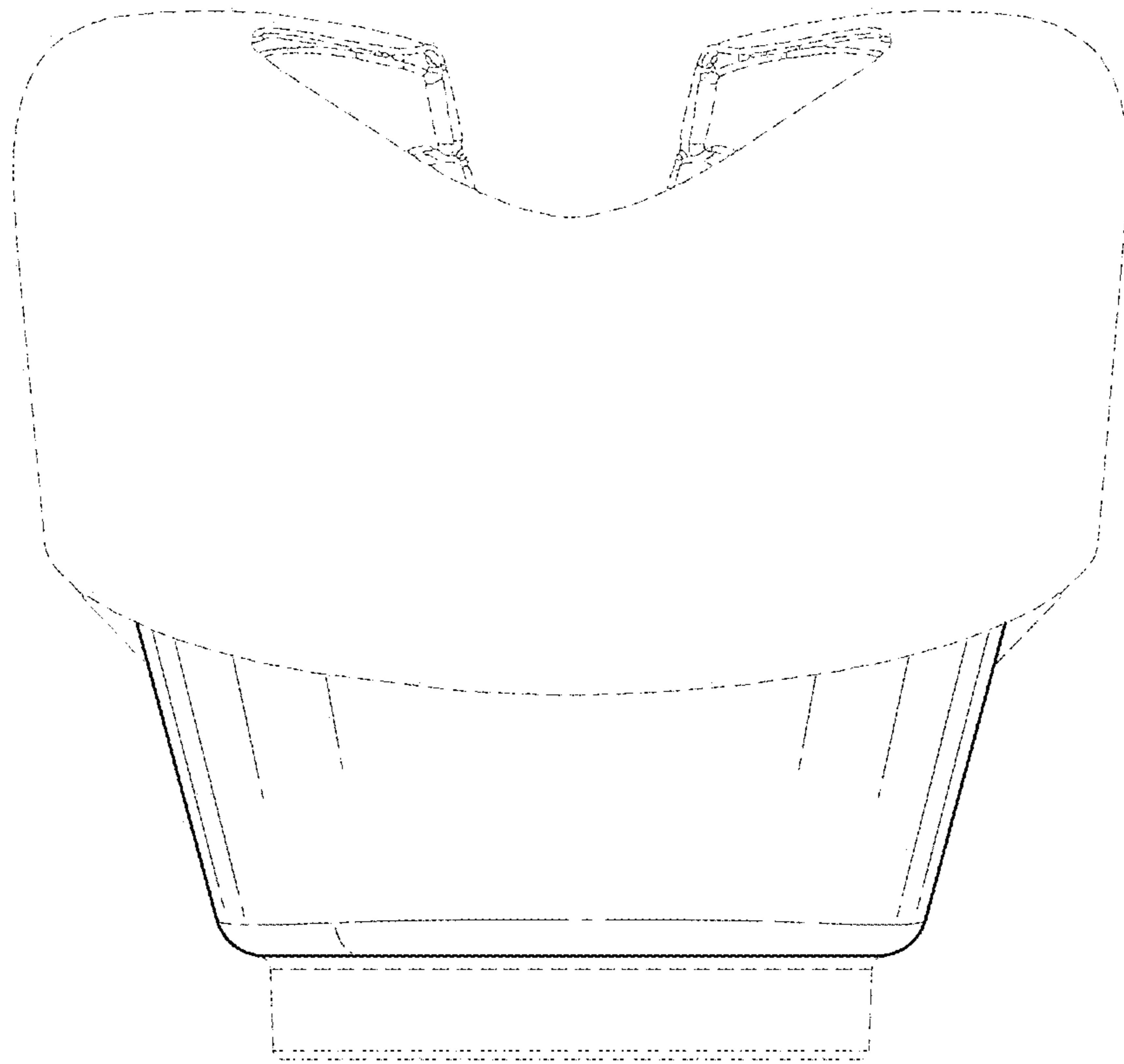


FIG. 8