



US00D988502S

(12) **United States Design Patent** (10) **Patent No.:** **US D988,502 S**
Huang et al. (45) **Date of Patent:** **** Jun. 6, 2023**

(54) **ELBOW OF A BREATHING APPARATUS**
(71) Applicant: **Fisher & Paykel Healthcare Limited**,
Auckland (NZ)
(72) Inventors: **Wen Dong Huang**, Auckland (NZ);
Arvin San Jose Gardiola, Auckland
(NZ); **Matthew Roger Stephenson**,
Auckland (NZ); **Toong Chuo Lim**,
Auckland (NZ); **Bruce Michael Walls**,
Auckland (NZ); **Jeremy Owen Young**,
Auckland (NZ)
(73) Assignee: **Fisher & Paykel Healthcare Limited**,
Auckland (NZ)

(**) Term: **15 Years**
(21) Appl. No.: **29/864,585**
(22) Filed: **Jun. 6, 2022**

Related U.S. Application Data

(60) Division of application No. 29/725,135, filed on Feb. 21, 2020, now Pat. No. Des. 958,321, which is a continuation of application No. 29/695,060, filed on Jun. 14, 2019, now Pat. No. Des. 882,755, which is a division of application No. 29/617,893, filed on Sep. 15, 2017, now Pat. No. Des. 861,857, which is a division of application No. 29/508,627, filed on Nov. 7, 2014, now Pat. No. Des. 797,921.
(51) **LOC (14) Cl.** **29-02**
(52) **U.S. Cl.**
USPC **D24/110.5**
(58) **Field of Classification Search**
USPC D24/110, 110.1-110.4, 110.6, 110.5;
D29/108, 122
CPC A61M 16/06; A61M 16/0606; A61M
16/0616; A61M 16/0622; A61M 16/0633;
A61M 16/0644; A61M 16/0666; A61M
16/0672; A61M 16/0683
See application file for complete search history.

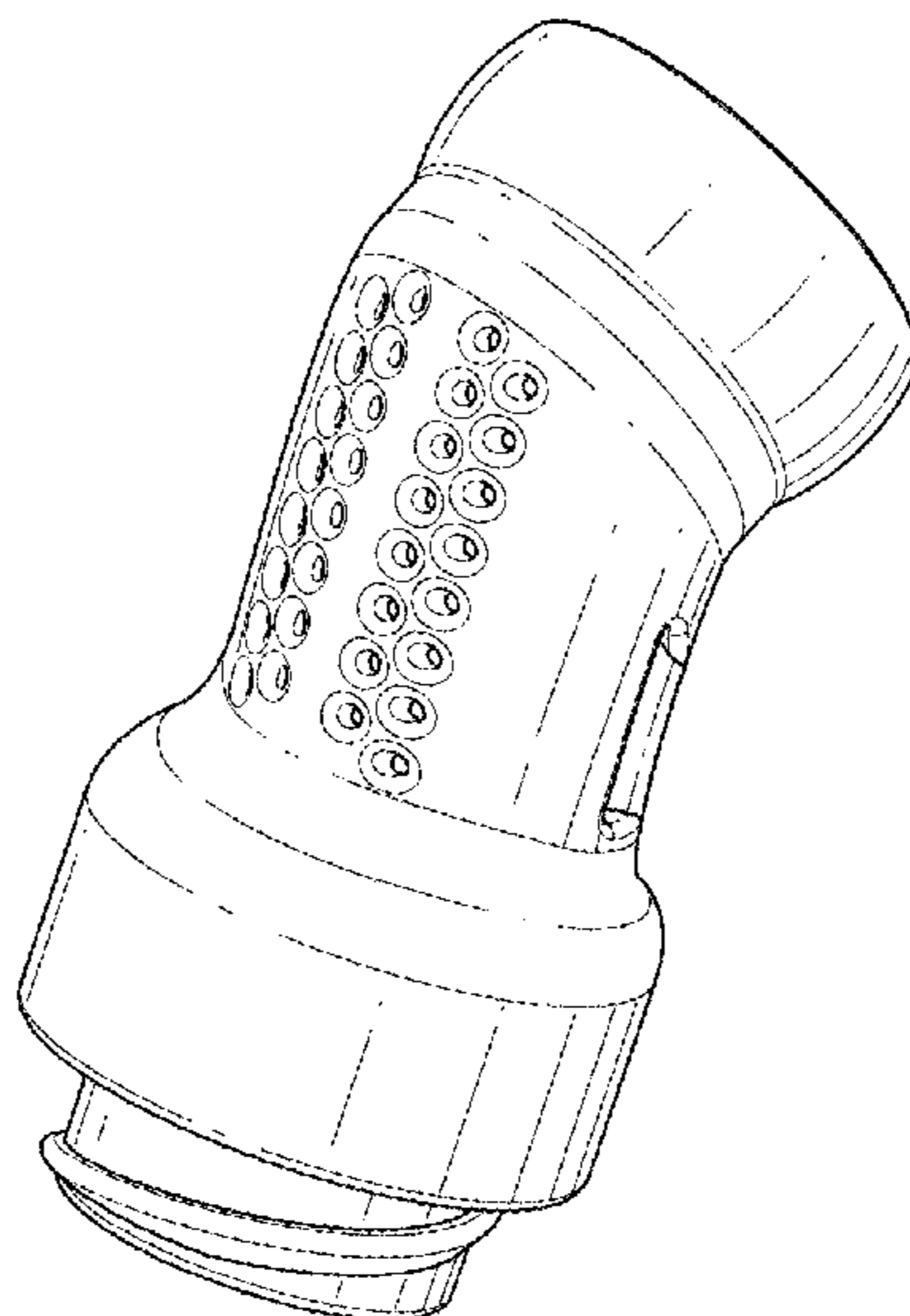
(56) **References Cited**
U.S. PATENT DOCUMENTS
D556,899 S * 12/2007 Veliss D24/129
D577,117 S * 9/2008 Biener D24/129
D579,105 S * 10/2008 Jones D24/110.4
D612,481 S * 3/2010 Reid D24/110.4
D648,845 S * 11/2011 Omura D24/110.1
D692,554 S 10/2013 Siew et al.
D692,999 S * 11/2013 Huth D24/110
D693,459 S * 11/2013 Prentice A61M 16/06
D24/110.4
D693,460 S * 11/2013 Rothermel D24/110.4
8,851,074 B2 * 10/2014 Chien A61M 16/0825
128/200.24
D737,953 S 9/2015 Wells et al.
D743,535 S 11/2015 Wells et al.

(Continued)
Primary Examiner — Daniel J Domino
Assistant Examiner — Lee D. Starr
(74) *Attorney, Agent, or Firm* — Knobbe, Martens, Olson
& Bear LLP

(57) **CLAIM**
The ornamental design for an elbow of a breathing apparatus, as shown and described.

DESCRIPTION
FIG. 1 is a perspective view showing front, top and side surfaces of an elbow of a breathing apparatus.
FIG. 2 is a perspective view thereof, showing rear, bottom, and side surfaces;
FIG. 3 is a front view thereof;
FIG. 4 is a rear view thereof;
FIG. 5 is a right side view thereof;
FIG. 6 is a left side view thereof;
FIG. 7 is a top view thereof; and,
FIG. 8 is a bottom view thereof.

1 Claim, 4 Drawing Sheets



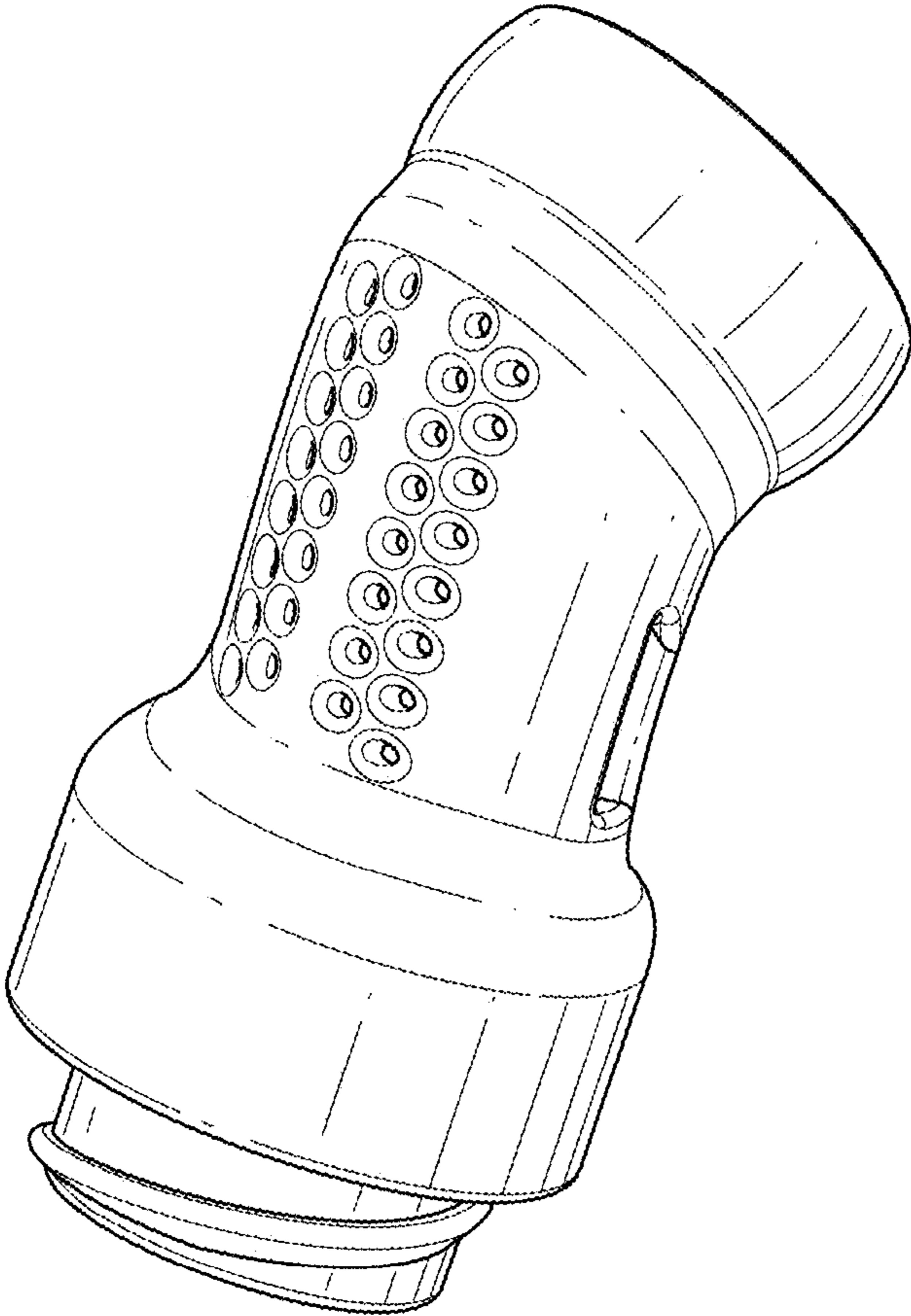


FIG. 1

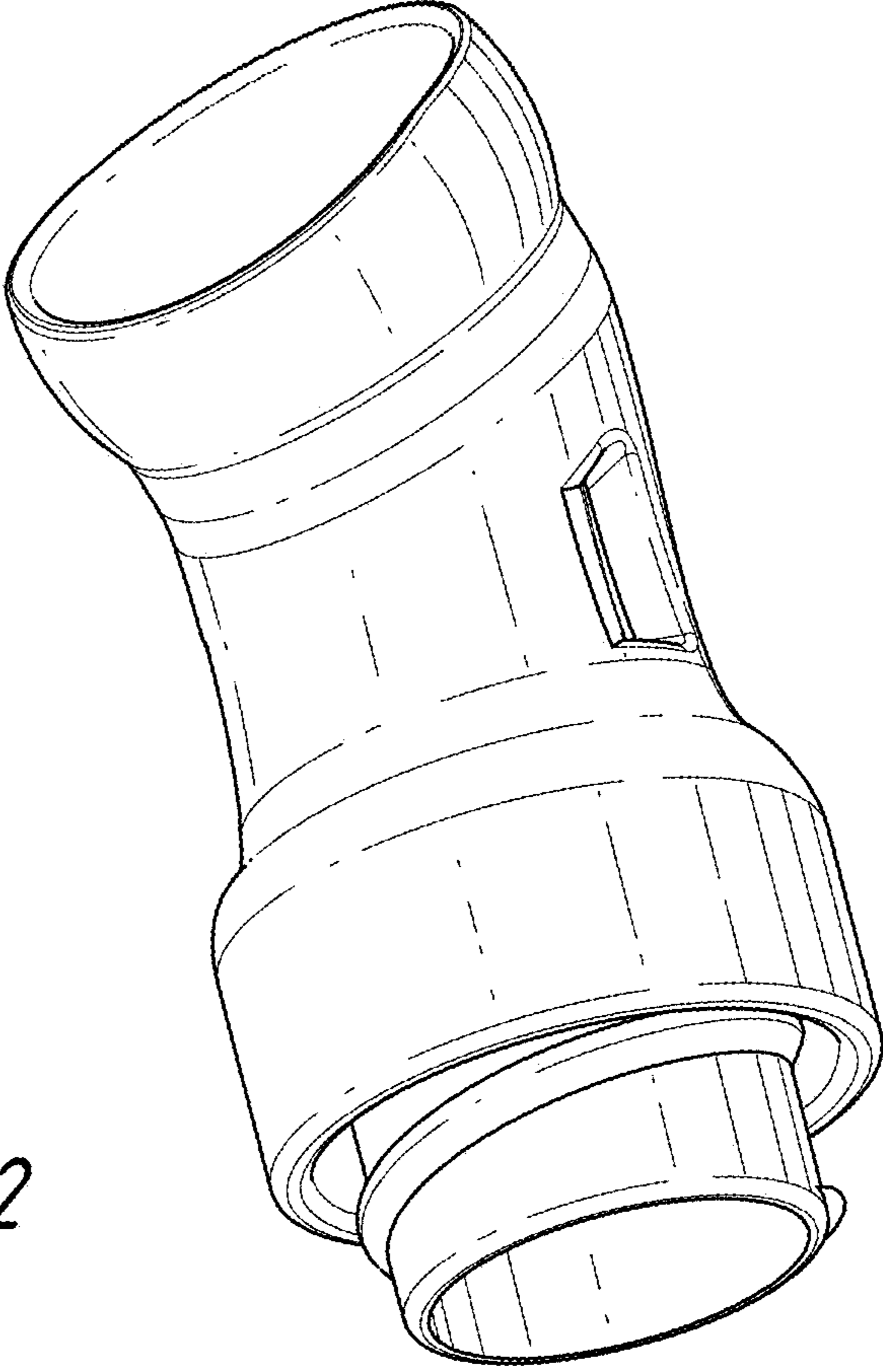


FIG. 2

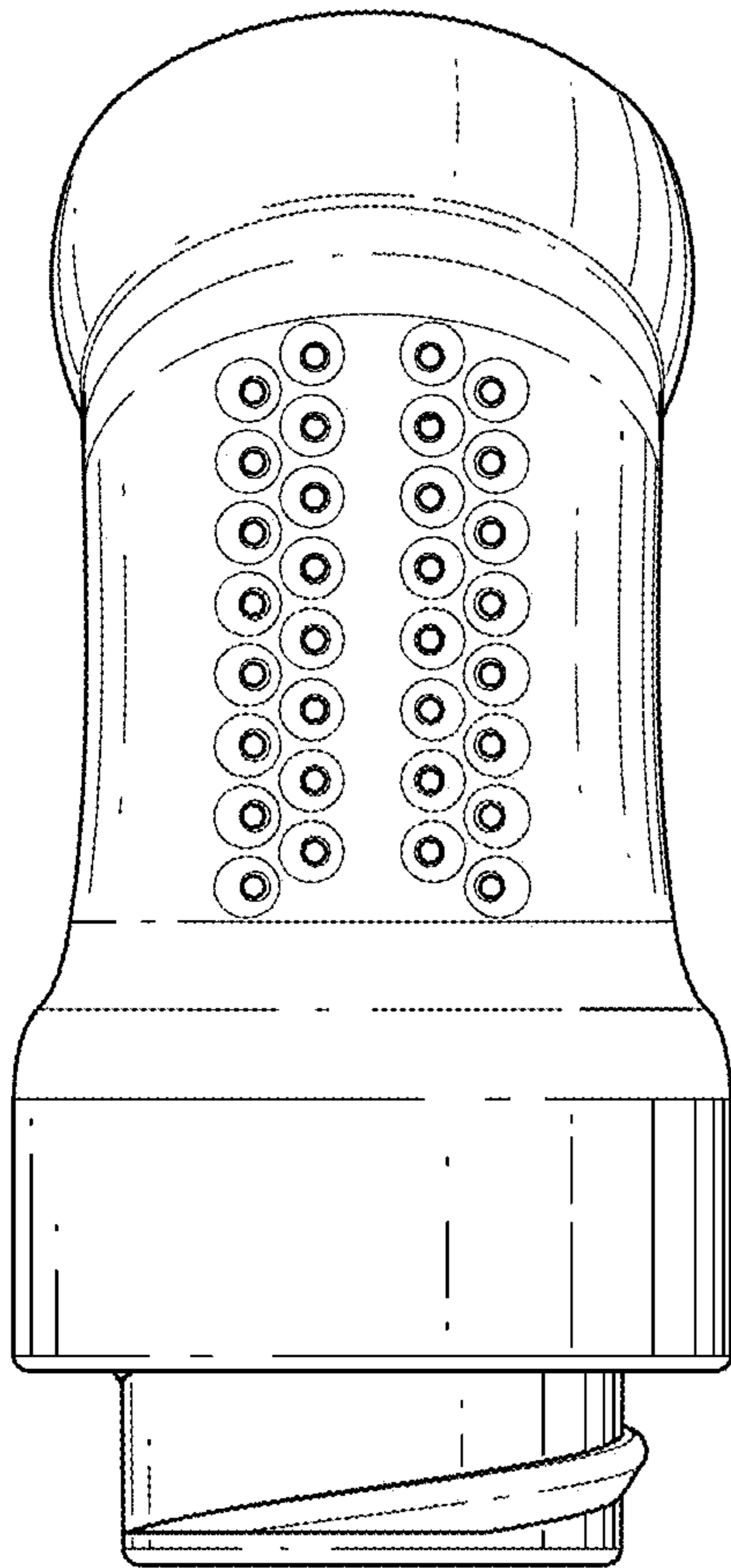


FIG. 3

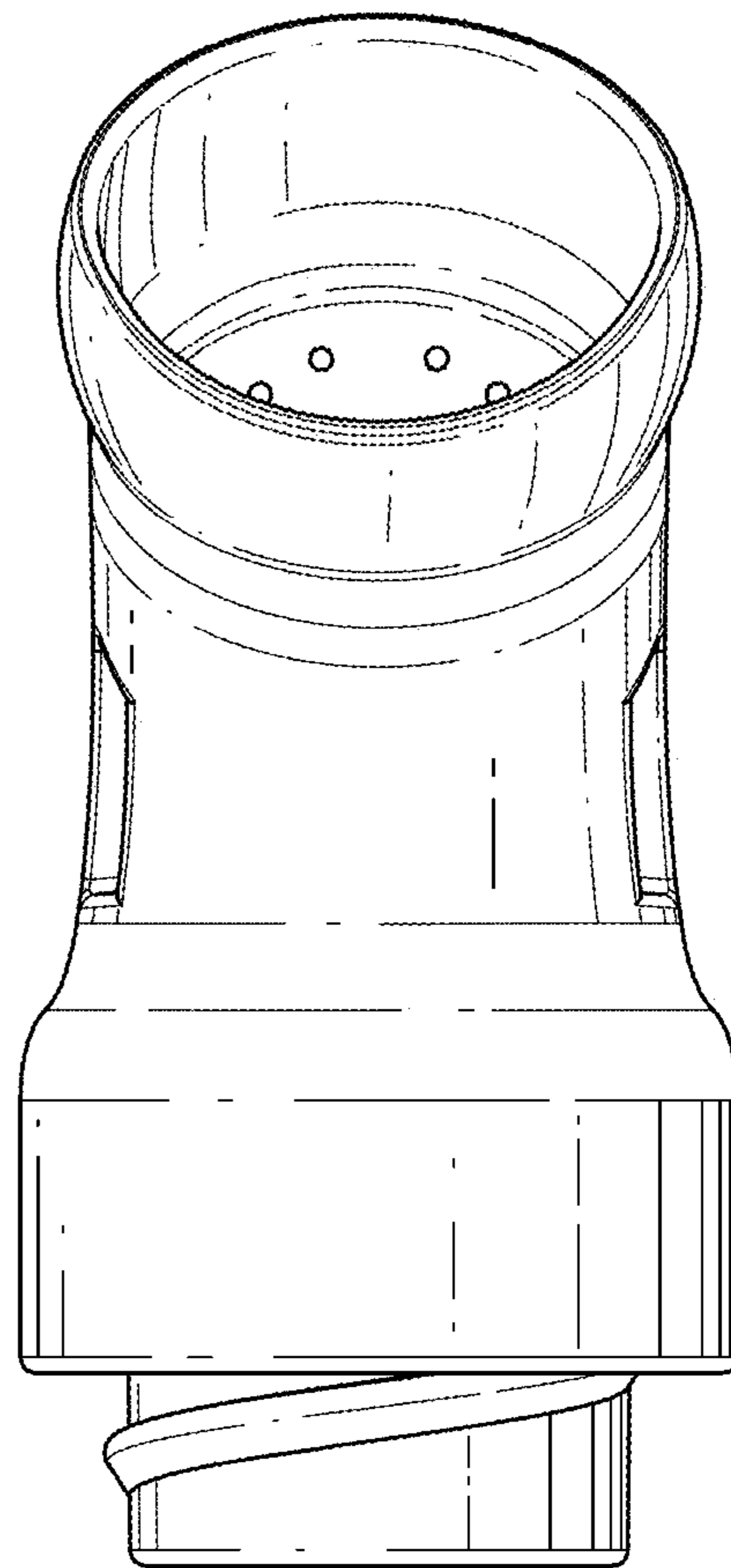


FIG. 4

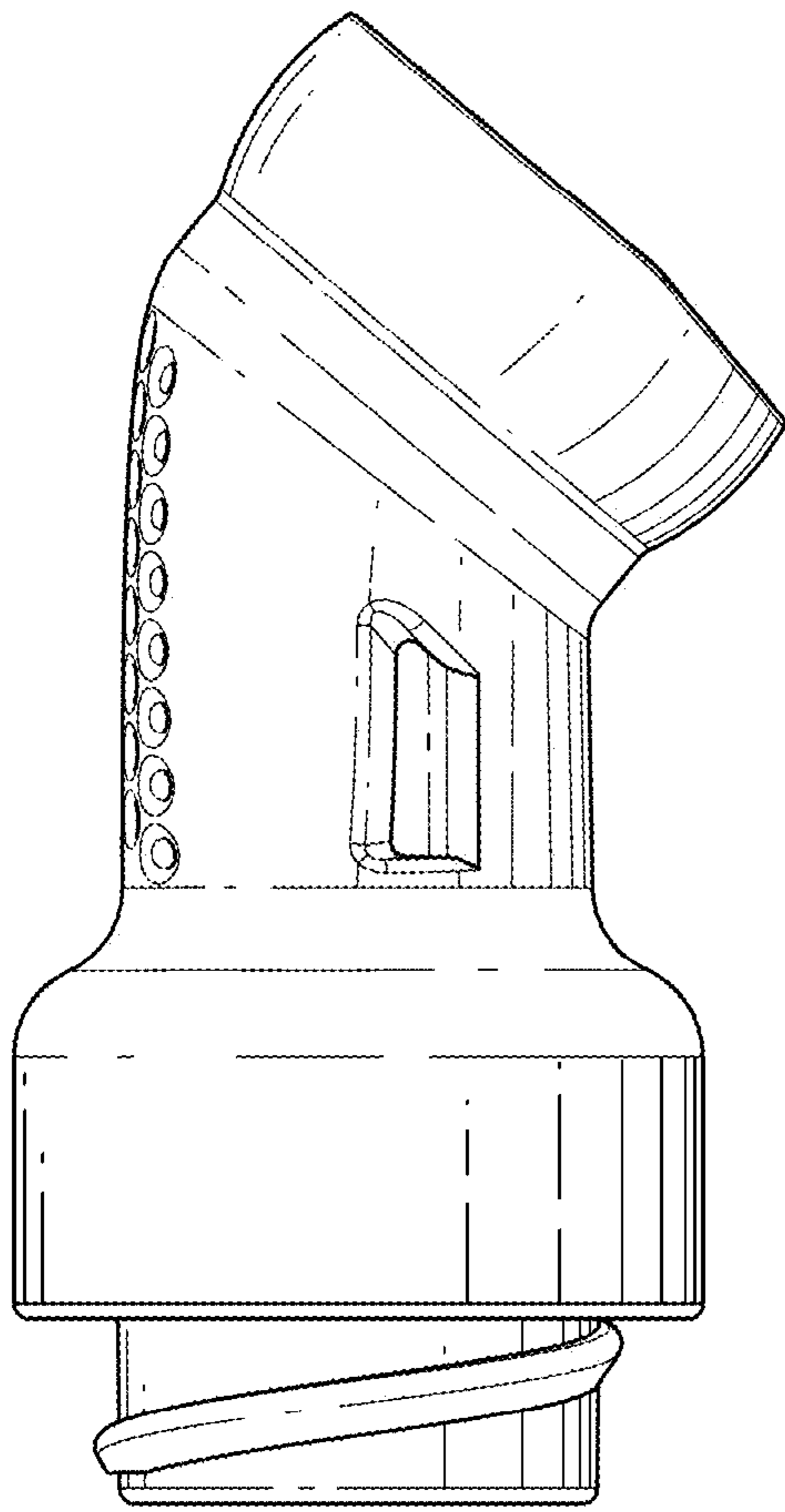


FIG. 5

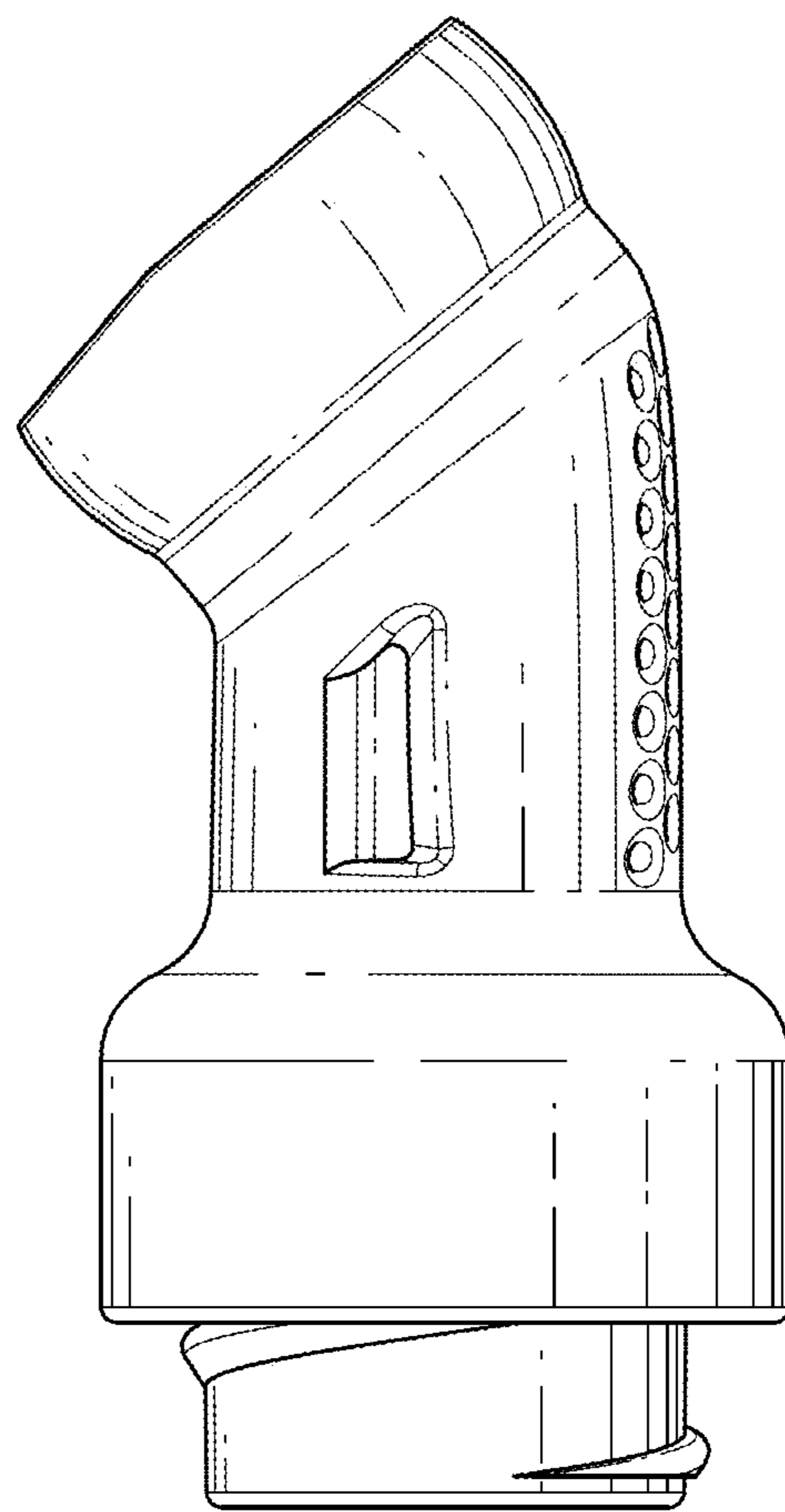


FIG. 6

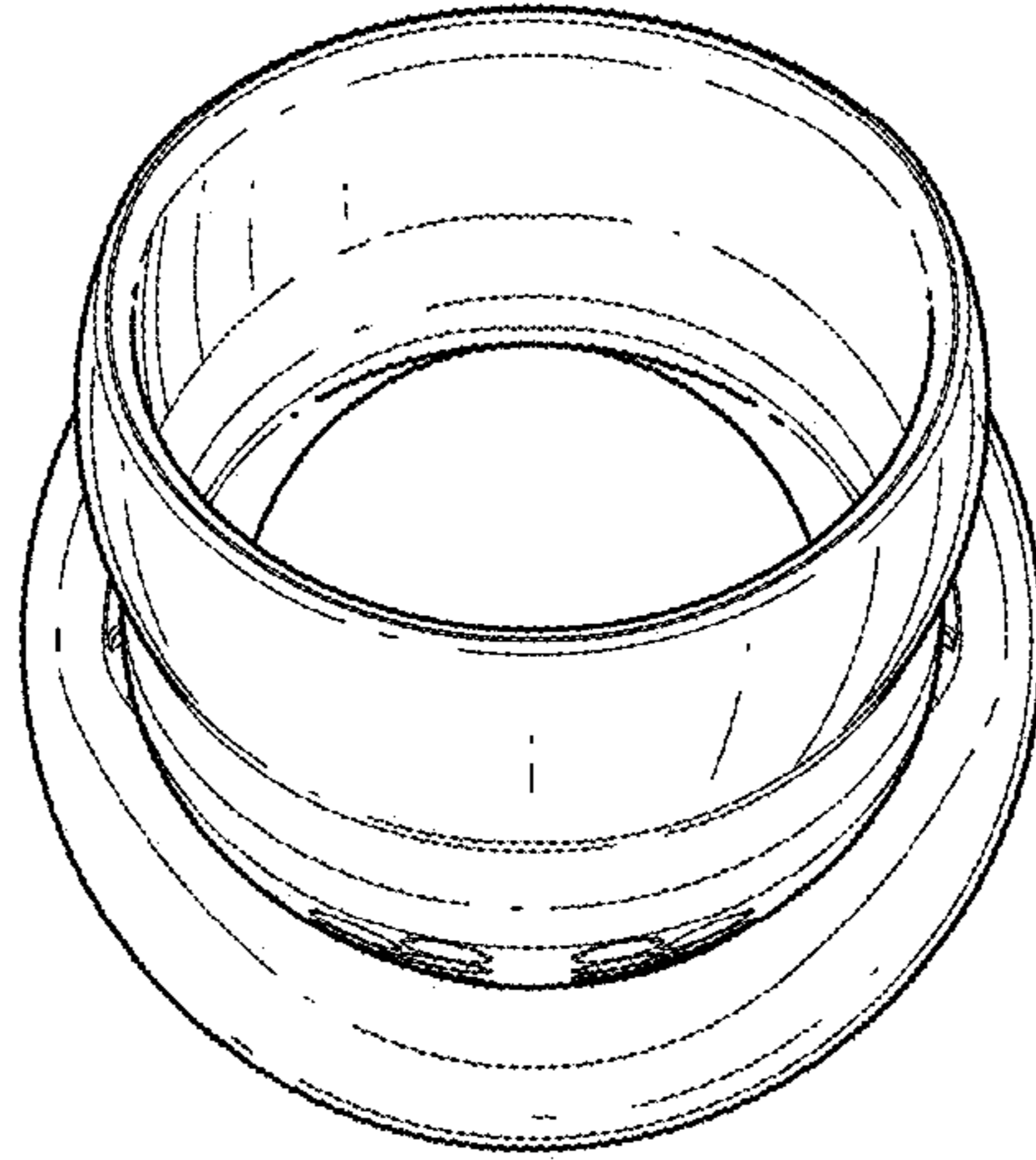


FIG. 7

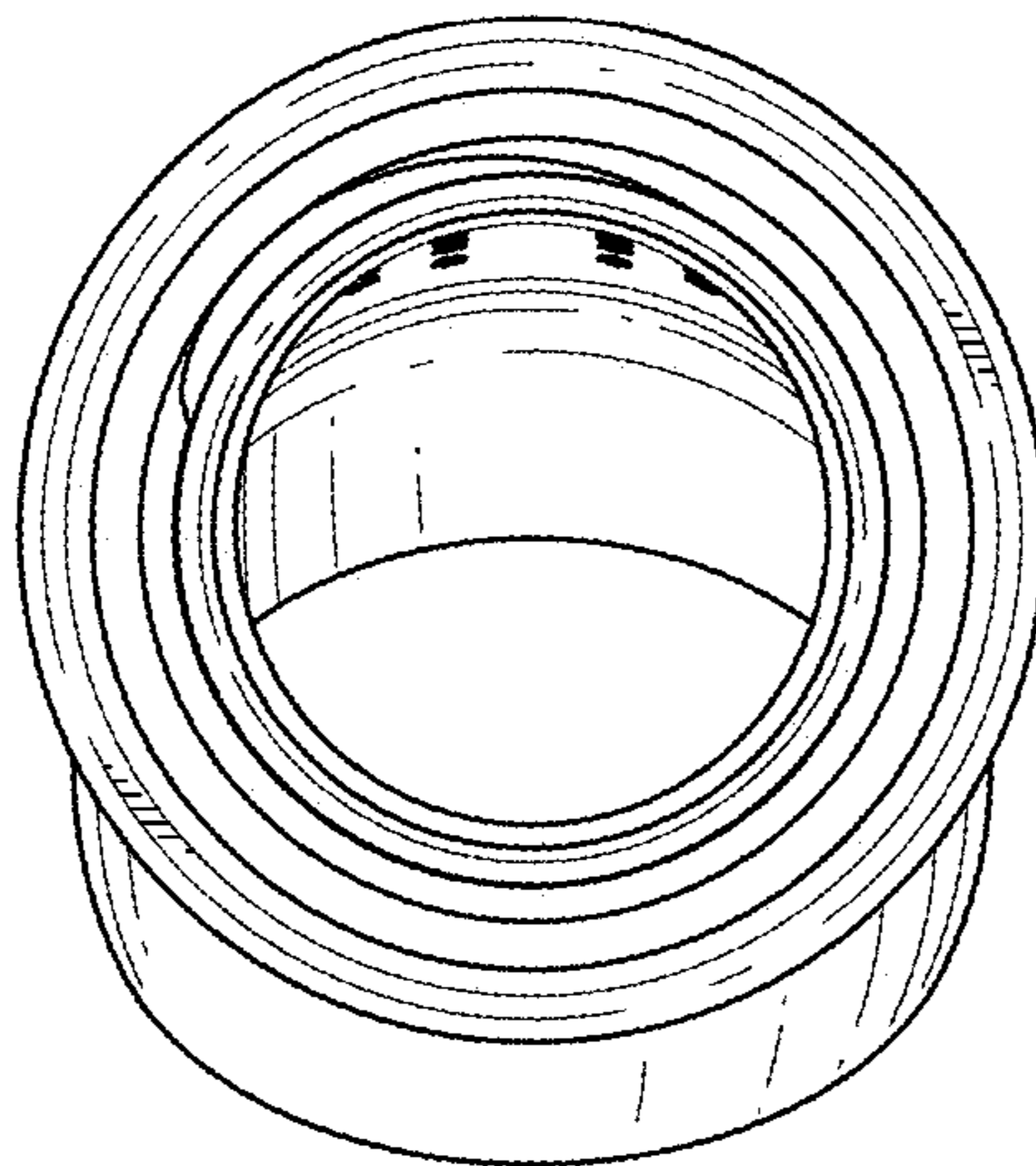


FIG. 8