



US00D988501S

(12) **United States Design Patent**
Zhang

(10) **Patent No.:** **US D988,501 S**

(45) **Date of Patent:** **** Jun. 6, 2023**

(54) **DOUBLE BREAST PUMP**

(71) Applicant: **Wei Zhang**, Sichuan (CN)

(72) Inventor: **Wei Zhang**, Sichuan (CN)

(**) Term: **15 Years**

(21) Appl. No.: **29/812,720**

(22) Filed: **Oct. 24, 2021**

(51) **LOC (14) Cl.** **24-02**

(52) **U.S. Cl.**
USPC **D24/109**

(58) **Field of Classification Search**
USPC D24/107, 108, 109, 111, 113, 127, 185,
D24/193, 197; D9/500, 548, 549
CPC A61M 2205/502; A61M 2205/8206; A61M
2205/07; A61M 2205/505; A61M
2205/071; A61M 2205/075; A61M
2205/123; A61M 1/00; A61M 1/06;
A61M 1/062; A61M 1/064; A61M 1/80;
A61M 1/82; A61M 1/0001; A61J 9/00;
A61J 13/00; A61J 2200/50; A61J 2200/76
See application file for complete search history.

(56) **References Cited**

U.S. PATENT DOCUMENTS

D609,332 S	*	2/2010	Paterson	D24/109
D628,287 S	*	11/2010	Tashiro	606/74
D744,086 S	*	11/2015	Yamashita	D24/109
D816,207 S	*	4/2018	Sandberg	A61M 1/06 D24/109
D830,535 S	*	10/2018	Muther	D24/109
D929,564 S	*	8/2021	Lee	D24/109
D930,144 S	*	9/2021	Lee	D24/109
D935,599 S	*	11/2021	Miller	D24/109

D975,836 S	*	1/2023	Sandberg	D24/109
2004/0127845	A1*	7/2004	Renz	A61M 1/06935 604/74
2018/0303985	A1*	10/2018	Pan	A61M 1/066
2021/0244863	A1*	8/2021	Aelen	A61M 1/06
2021/0260261	A1*	8/2021	Tanaka	A61M 1/0693
2021/0369926	A1*	12/2021	Aelen	A61M 1/74
2022/0409785	A1*	12/2022	Bentvelsen	A61M 1/0693

FOREIGN PATENT DOCUMENTS

CN 305991068 * 8/2022

* cited by examiner

Primary Examiner — Richard Kearney

Assistant Examiner — Michael Hoffman

(74) *Attorney, Agent, or Firm* — True Shepherd, LLC;
Andrew Cheng

(57) **CLAIM**

The ornamental design for a double breast pump, as shown and described.

DESCRIPTION

FIG. 1 is a front, right and top perspective view of a double breast pump, showing my design.

FIG. 2 is a rear, left and bottom perspective view thereof.

FIG. 3 is a front elevation view thereof.

FIG. 4 is a rear elevation view thereof.

FIG. 5 is a left side elevation view thereof.

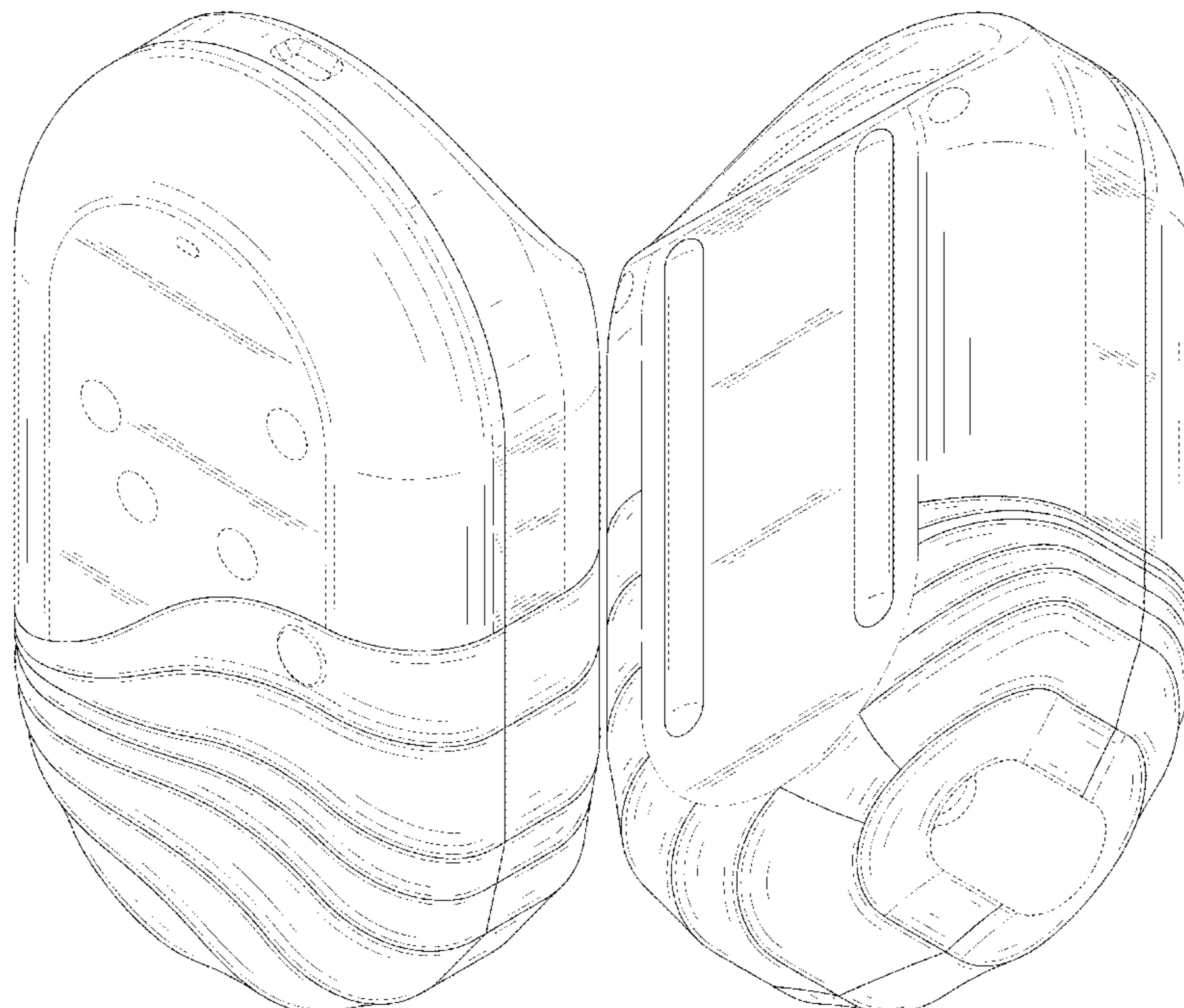
FIG. 6 is a right side elevation view thereof.

FIG. 7 is a top plan view thereof; and,

FIG. 8 is a bottom plan view thereof.

The broken lines shown in the drawings are included for the purpose of illustrating portions of the double breast pump that form no part of the claimed design.

1 Claim, 8 Drawing Sheets



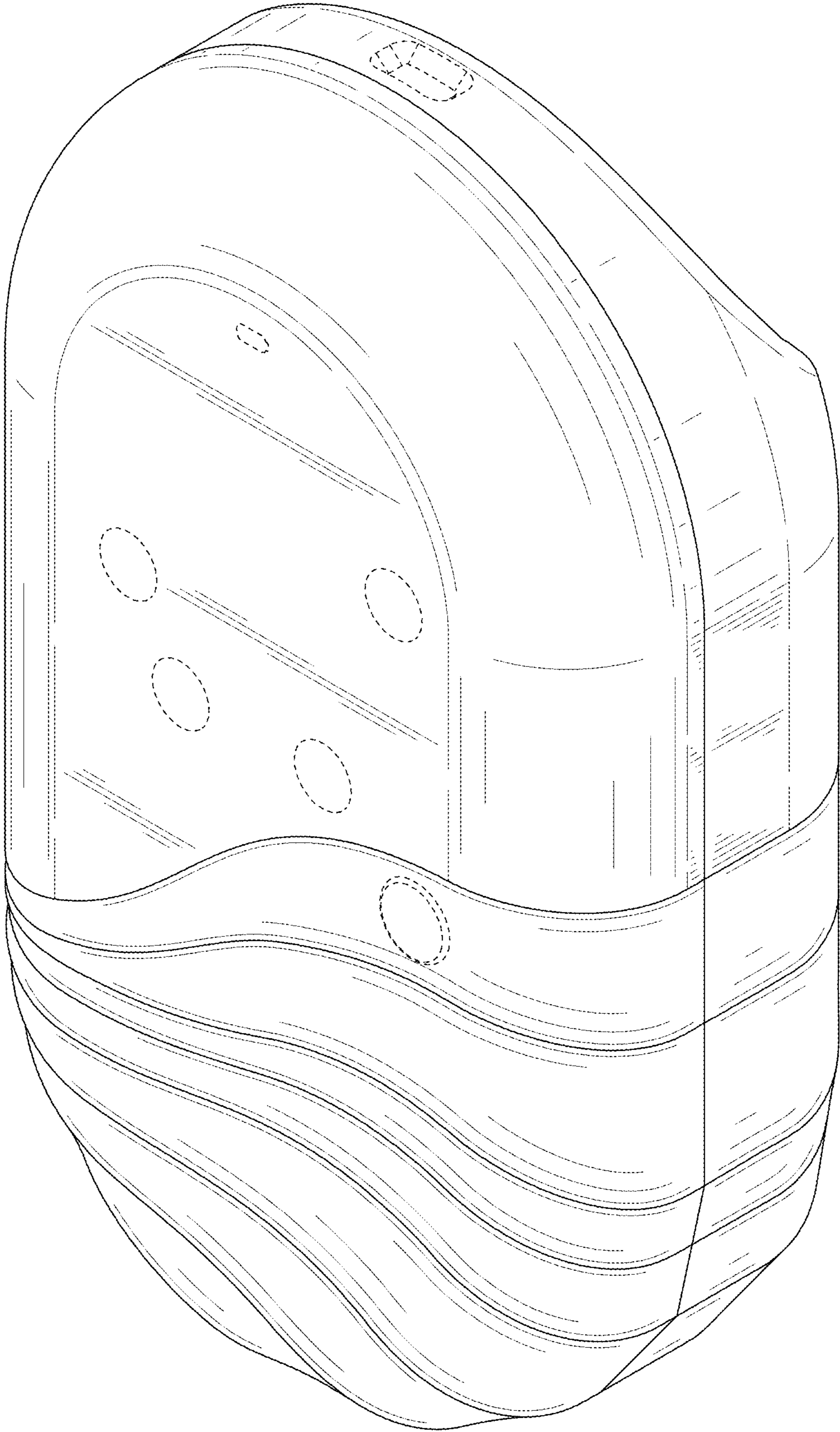


FIG. 1

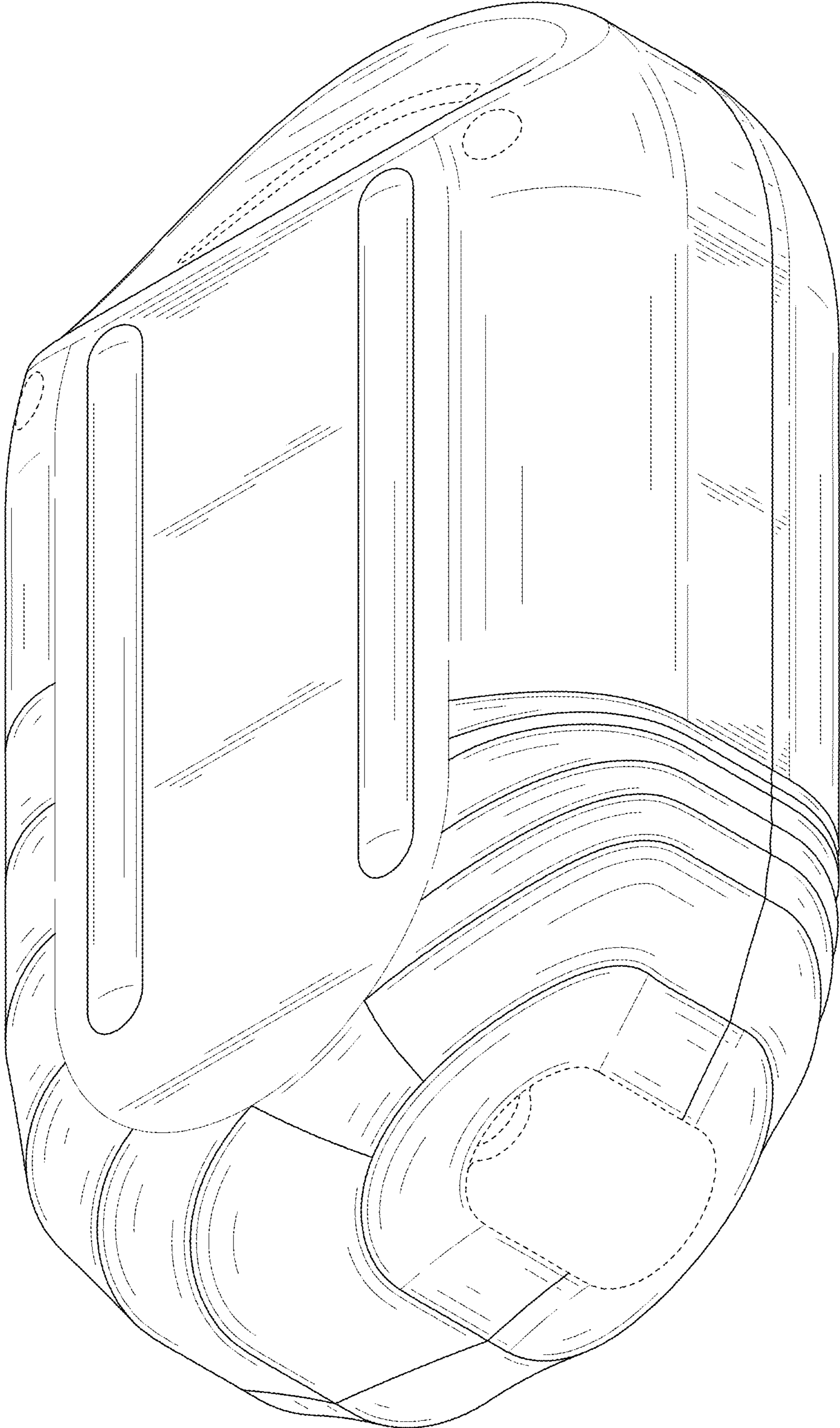


FIG. 2

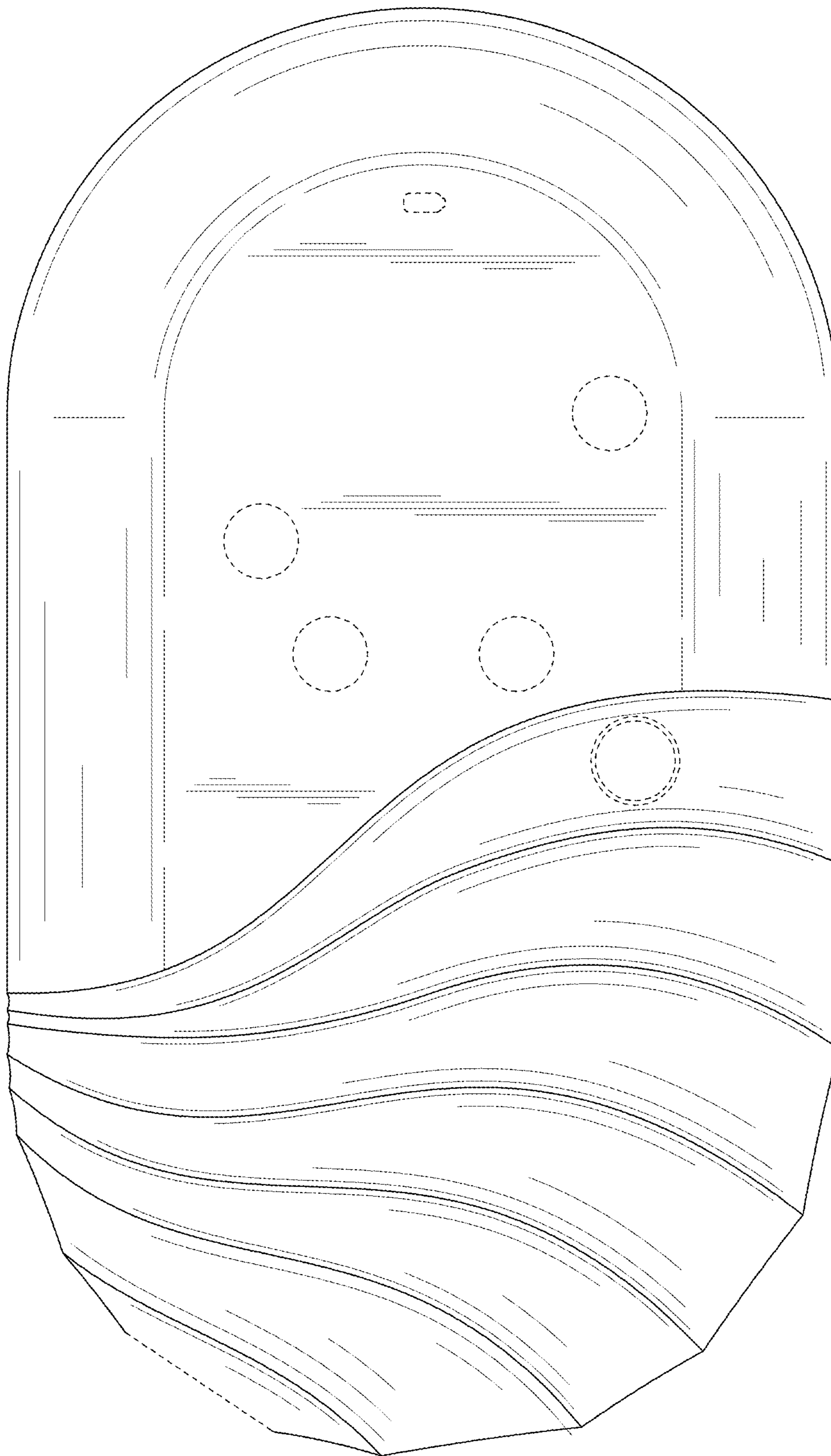


FIG. 3

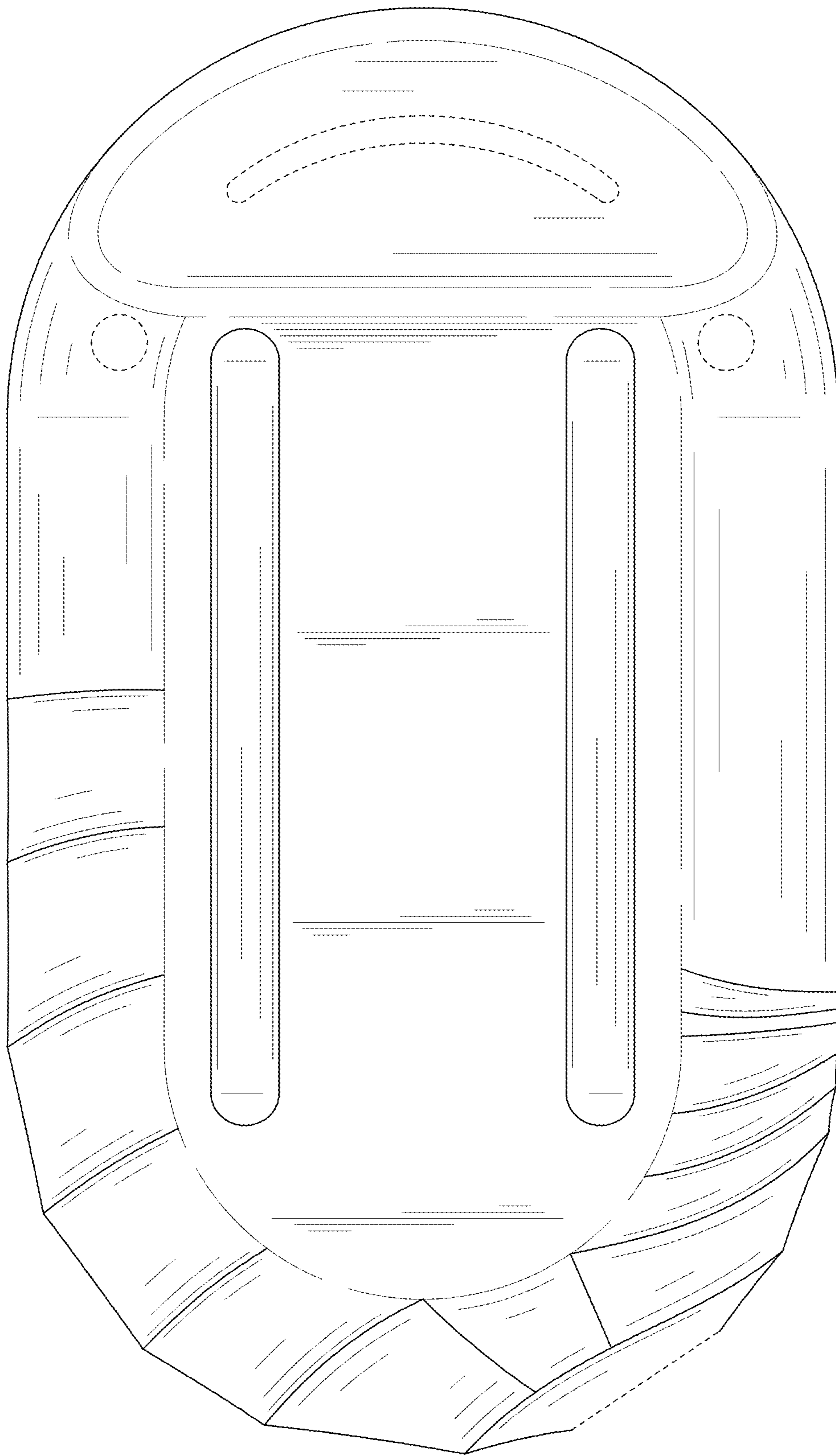


FIG. 4

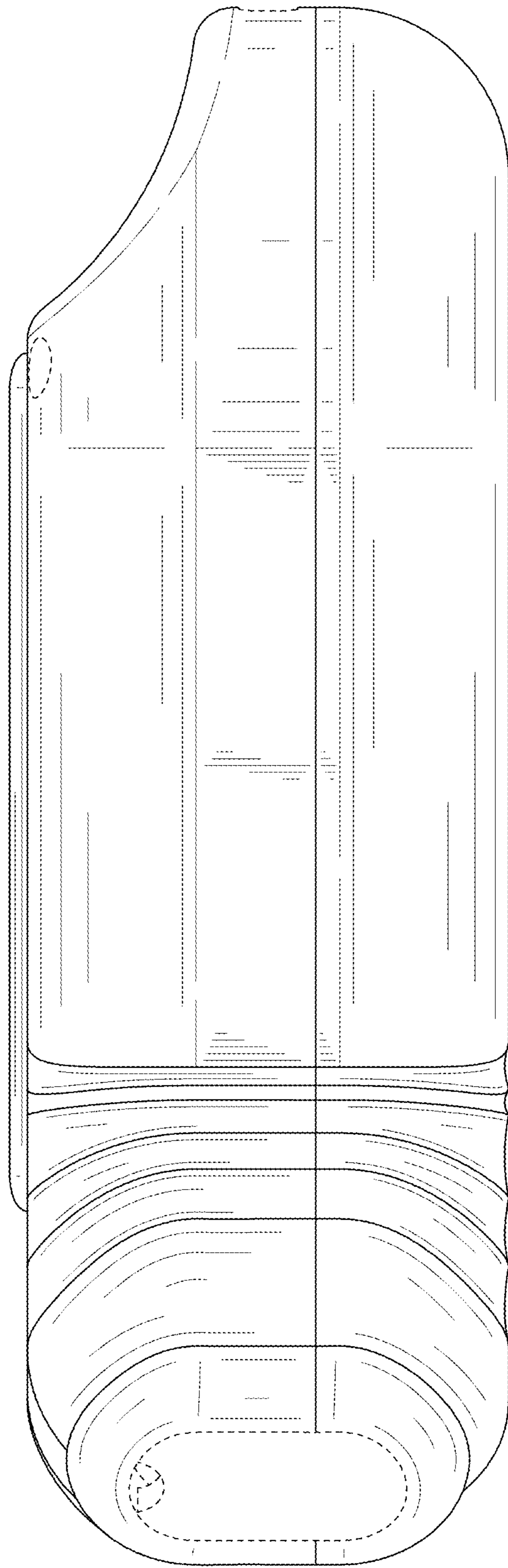


FIG. 5

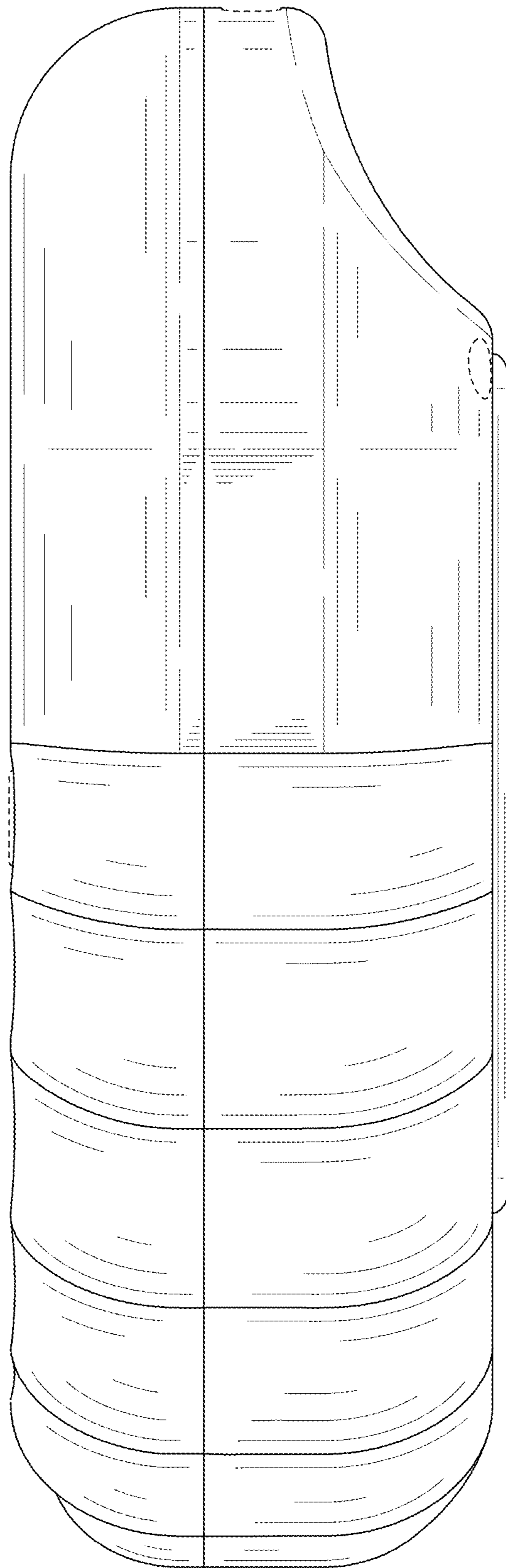


FIG. 6

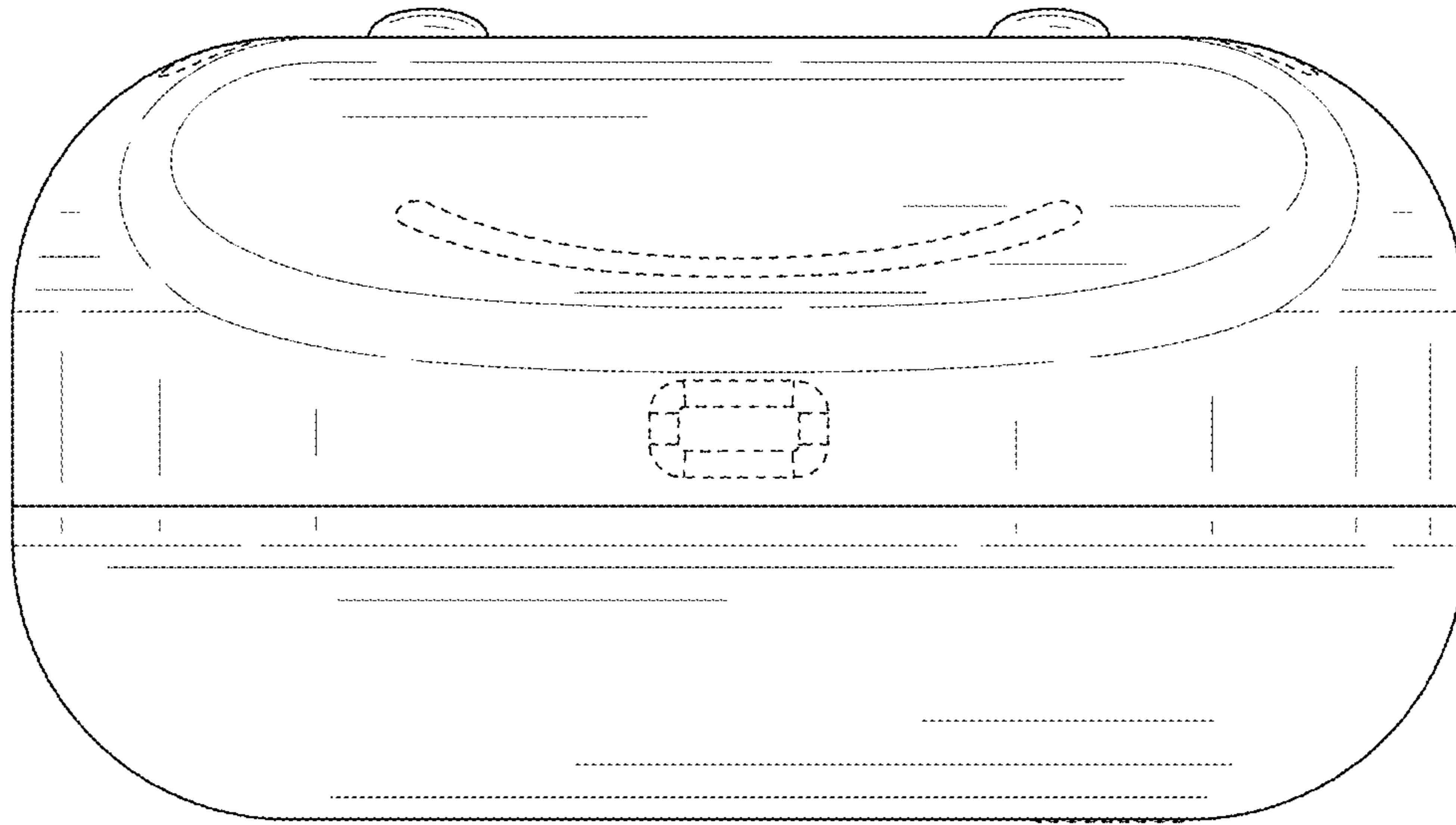


FIG. 7

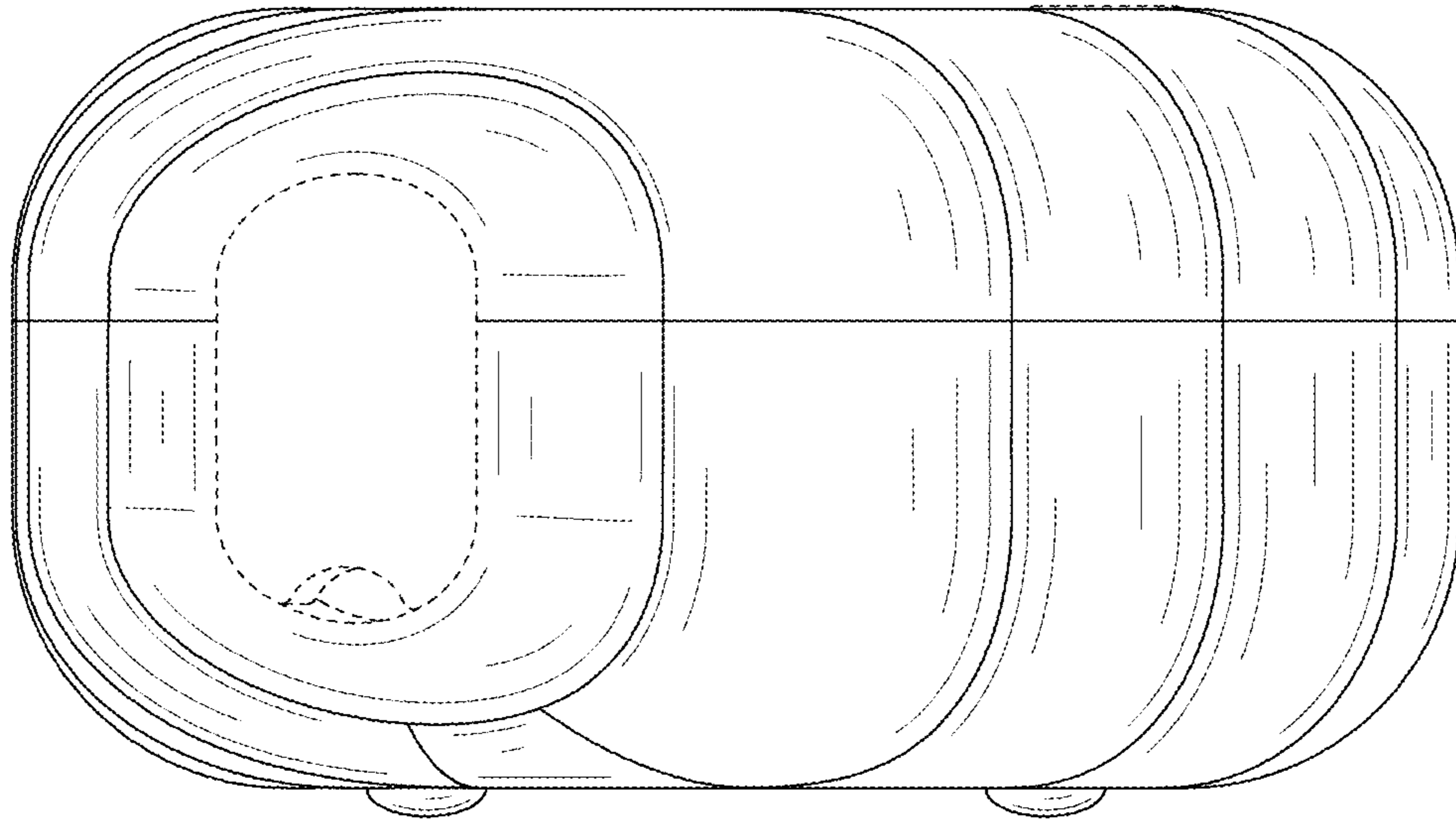


FIG. 8