



US00D988500S

(12) **United States Design Patent** (10) **Patent No.:** **US D988,500 S**
Ishikawa (45) **Date of Patent:** **** Jun. 6, 2023**

(54) **BREAST PUMP VALVE**
(71) Applicant: **Pigeon Corporation**, Chuo-ku (JP)
(72) Inventor: **Tatsuyuki Ishikawa**, Chuo-ku (JP)
(73) Assignee: **Pigeon Corporation**, Tokyo (JP)
(**) Term: **15 Years**
(21) Appl. No.: **29/783,615**

D811,580 S * 2/2018 Tang D24/110.6
D820,973 S * 6/2018 Albert D24/109
D831,198 S * 10/2018 Ross D24/127
(Continued)

FOREIGN PATENT DOCUMENTS

CN 306688637 * 7/2021
GB 6169539 * 10/2022
(Continued)

OTHER PUBLICATIONS

Pigeon Milk Valve for Electric Breast Pump (2 Piece). Pigeon Corp, Amazon.com, [Post date: Jan. 23, 2015]. [Site seen Dec. 28, 2022]. Seen at URL: <https://www.amazon.in/Pigeon-Valve-Electric-Breast-Piece/dp/B00SMZ2KHG> (Year: 2015).*
(Continued)

(22) Filed: **May 13, 2021**
(30) **Foreign Application Priority Data**
Dec. 22, 2020 (CN) 202030791421.7
(51) **LOC (14) Cl.** **24-02**
(52) **U.S. Cl.**
USPC **D24/109; D24/129**
(58) **Field of Classification Search**
USPC D24/108-109, 127, 129, 194-198, 110,
D24/110.6, 110.5, 112
CPC A61M 1/06; A61M 1/062
See application file for complete search history.

Primary Examiner — Natasha Vujcic
Assistant Examiner — Gilbert B Ford
(74) *Attorney, Agent, or Firm* — Schwegman Lundberg & Woessner, P.A.

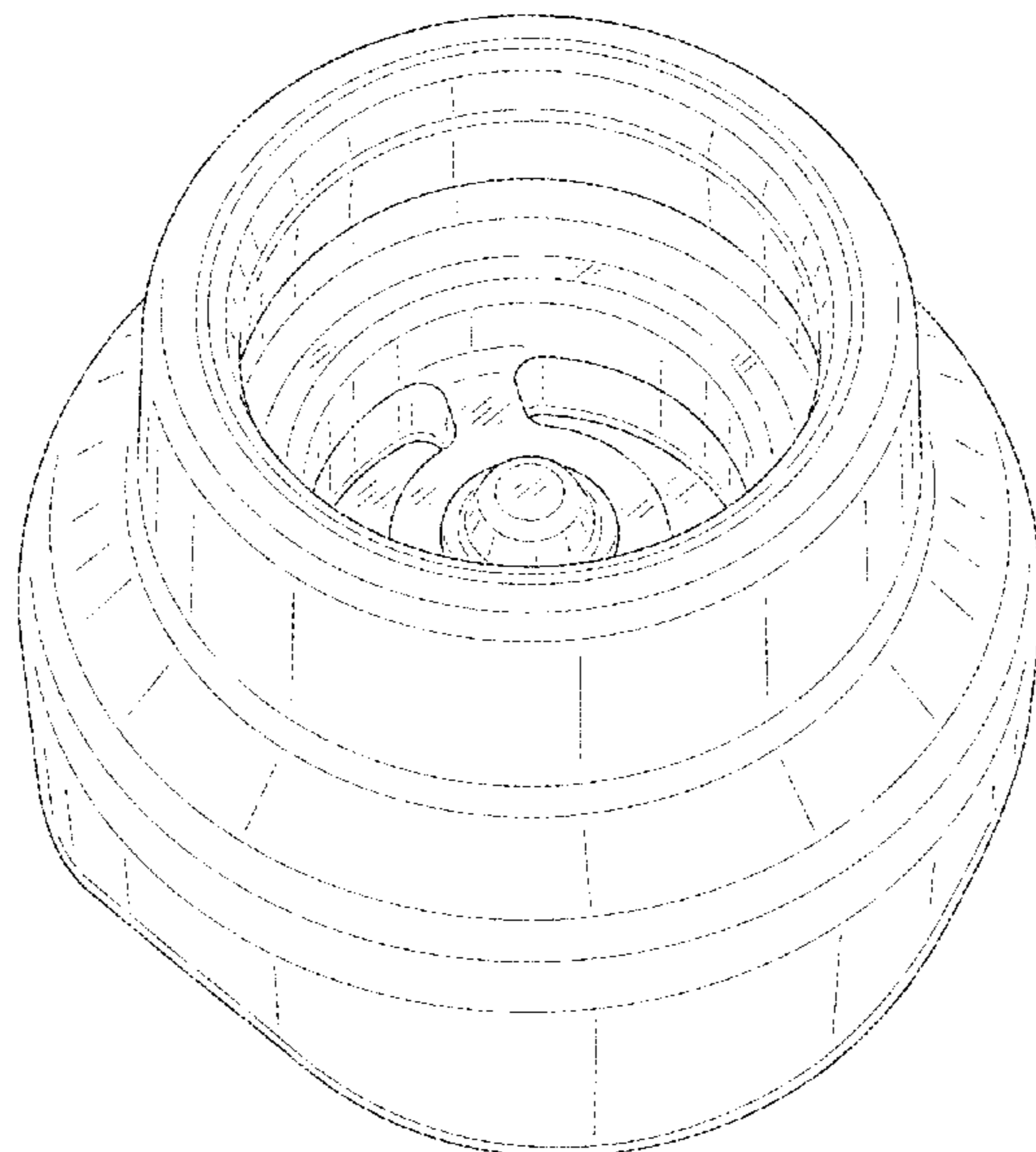
(57) **CLAIM**
The ornamental design for a breast pump valve, as shown and described.

(56) **References Cited**
U.S. PATENT DOCUMENTS
4,857,051 A 8/1989 Larsson
6,270,474 B1 * 8/2001 Nuesch A61M 39/24
604/74
D479,876 S * 9/2003 Gradon D24/110.5
D580,048 S * 11/2008 Guney D24/129
D581,041 S * 11/2008 Moore D24/129
D591,856 S * 5/2009 Lulla D24/110
D597,658 S * 8/2009 Fisher D24/110
D610,250 S * 2/2010 Neuner D24/110
D679,376 S * 4/2013 von Hollen D24/110.4
D720,466 S * 12/2014 Edding D24/223
D754,327 S * 4/2016 Row F04D 1/00
D24/110

DESCRIPTION

FIG. 1 is a top perspective view of a breast pump valve showing my new design;
FIG. 2 is a bottom perspective view thereof;
FIG. 3 is a front view thereof;
FIG. 4 is a rear view thereof;
FIG. 5 is a top plan view thereof;
FIG. 6 is a bottom plan view thereof;
FIG. 7 is a right side view thereof, the left side view being a mirror image of FIG. 7;
FIG. 8 is an exploded top perspective view thereof; and,
FIG. 9 is an exploded bottom perspective view thereof.

1 Claim, 9 Drawing Sheets



(56)

References Cited

U.S. PATENT DOCUMENTS

D882,062 S * 4/2020 Brown D24/109
D886,985 S * 6/2020 Subbanna D24/109
D898,184 S * 10/2020 Miller D23/233
D922,572 S * 6/2021 Bertrand A61B 90/06
D24/129
D930,816 S * 9/2021 Zhang D24/109
D941,460 S * 1/2022 Zhang D24/109
11,298,445 B2 * 4/2022 Analytis A61M 1/062
D955,551 S * 6/2022 Sanders D24/110
2007/0173756 A1 7/2007 Krebs et al.
2016/0038662 A1 2/2016 Felber

FOREIGN PATENT DOCUMENTS

JP S61252980 A 11/1986
JP 2009228812 10/2009
JP 4486681 B2 4/2010

OTHER PUBLICATIONS

Maymom Replacement Parts 2 Diaphragm and 2 Duckbill for Avent Comfort Electric Pumps, Maymom, Amazon.com, [Post date: Sep. 30, 2016], [Site seen Dec. 28, 2022], Seen at URL: <https://www.amazon.in/Maymom-Replacement-Parts-Comfort-Electric/dp/B01CCBMSYK> (Year: 2016).*

* cited by examiner

FIG. 1

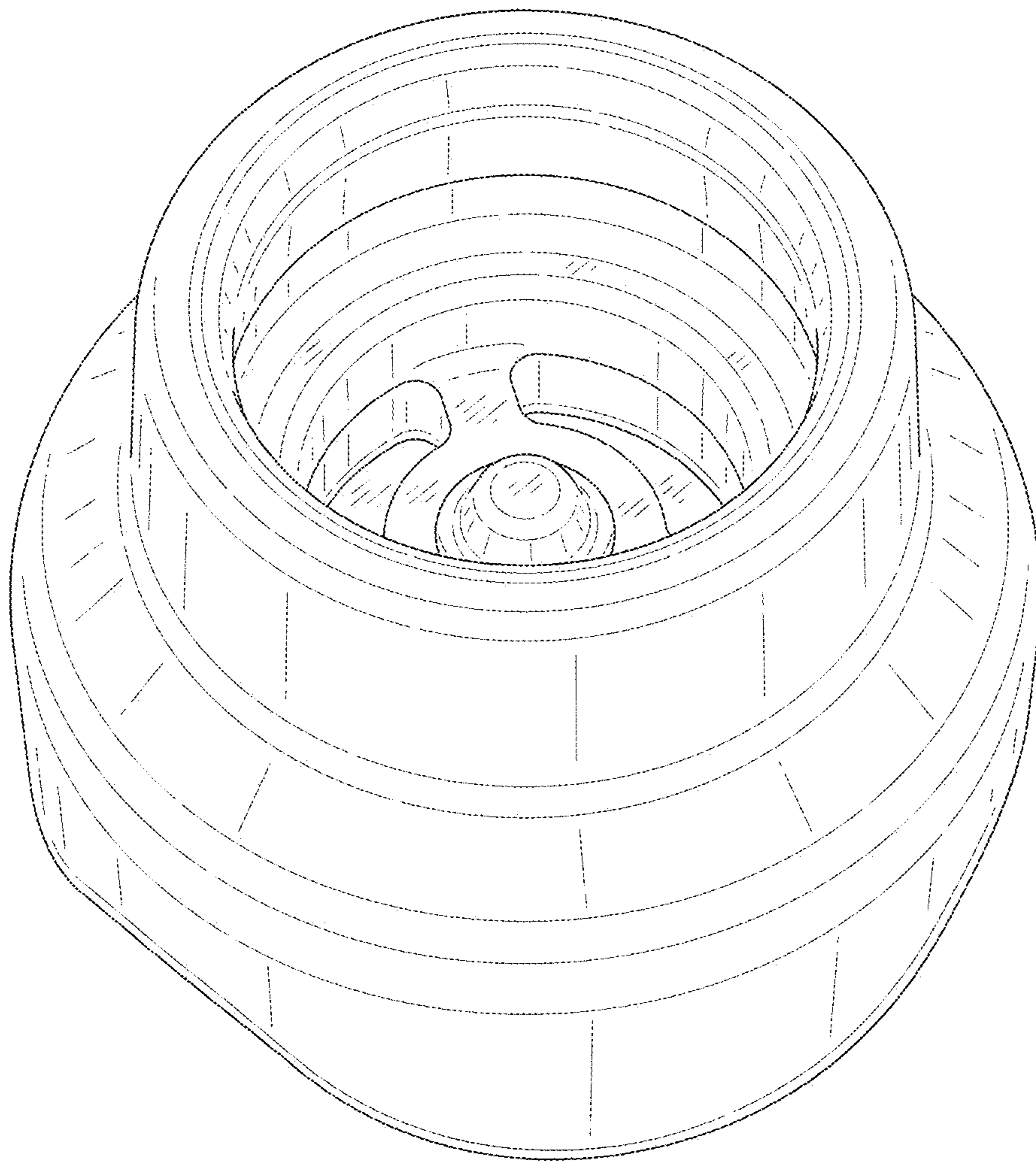


FIG.2

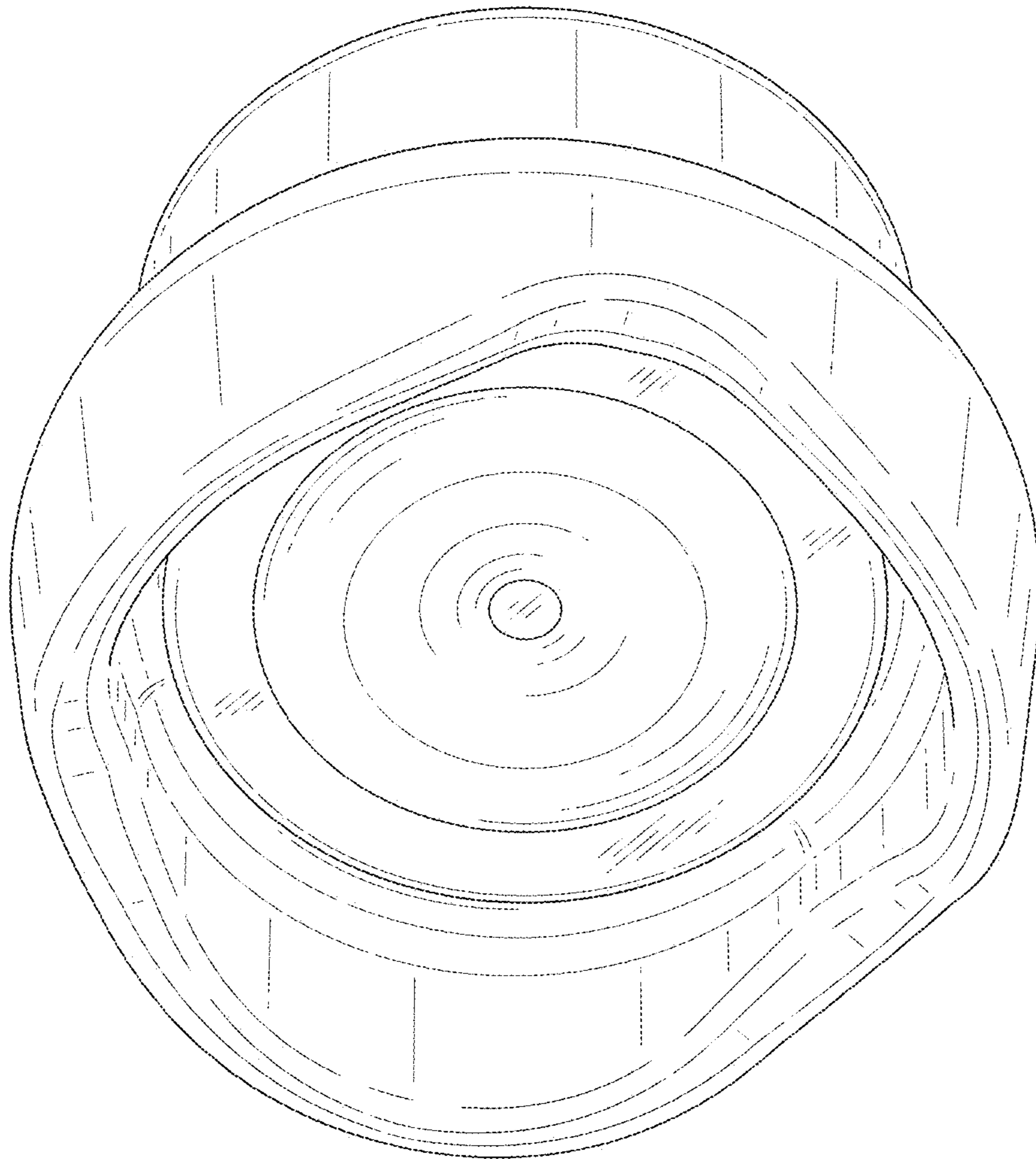


FIG.3

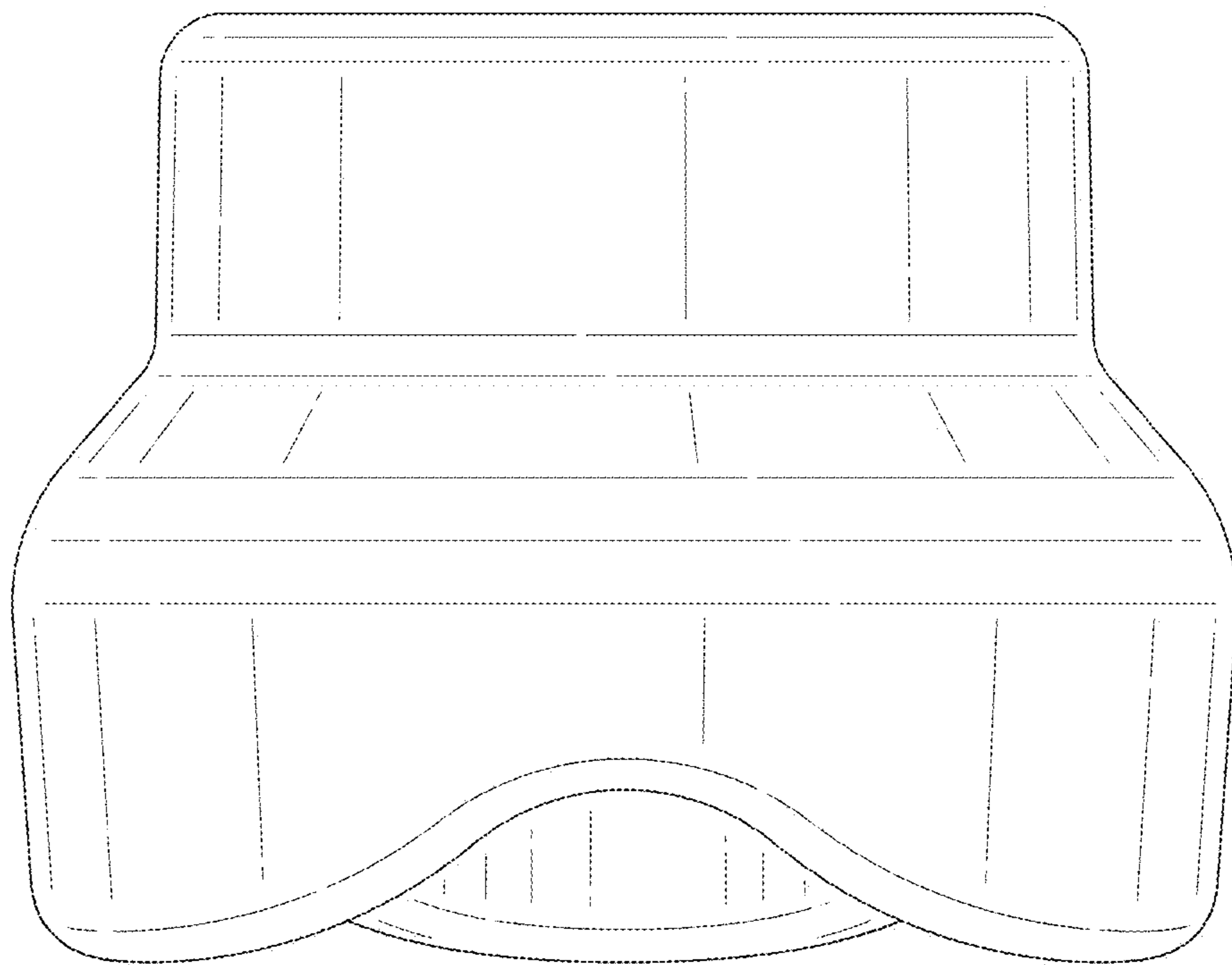


FIG.4

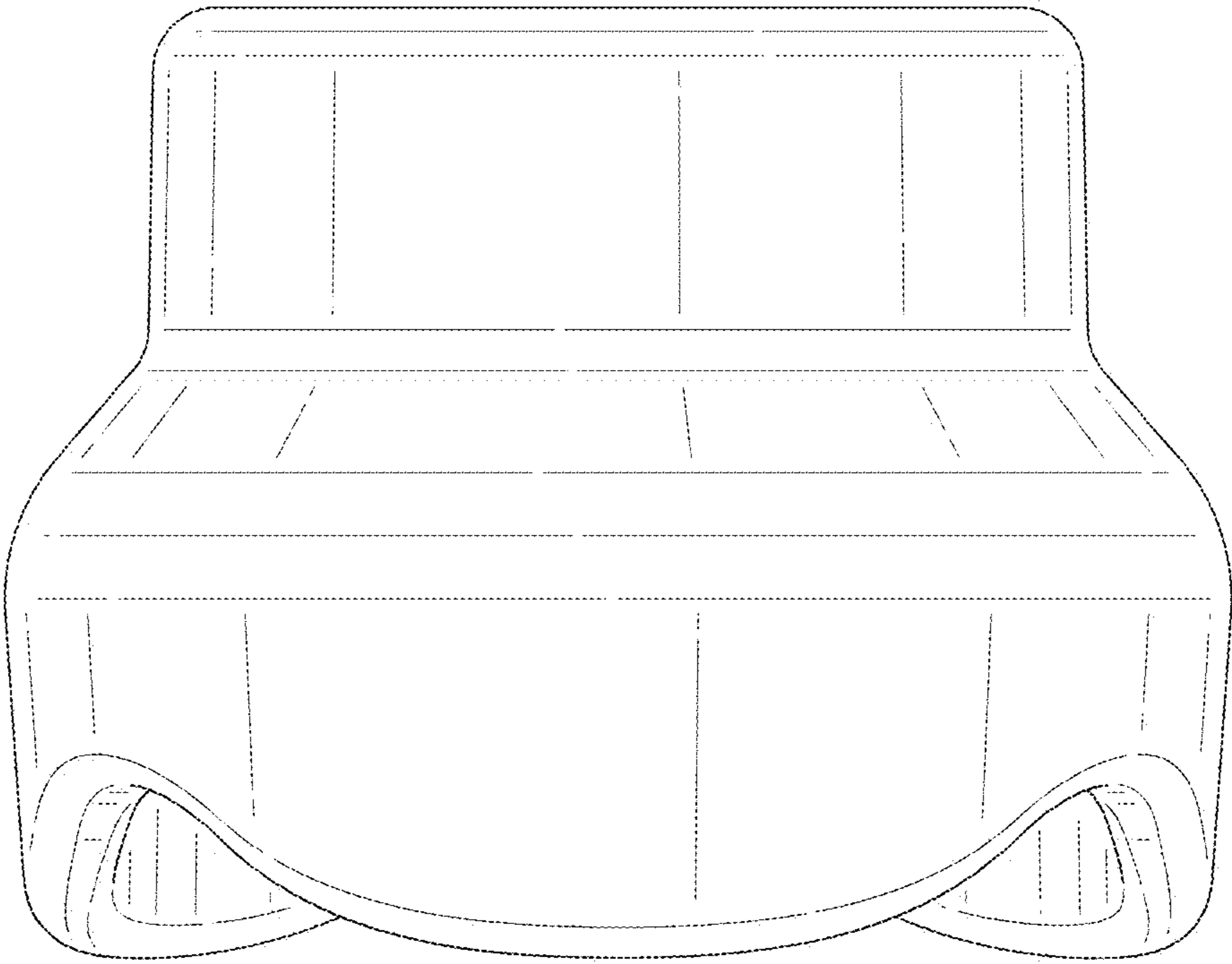


Fig.5

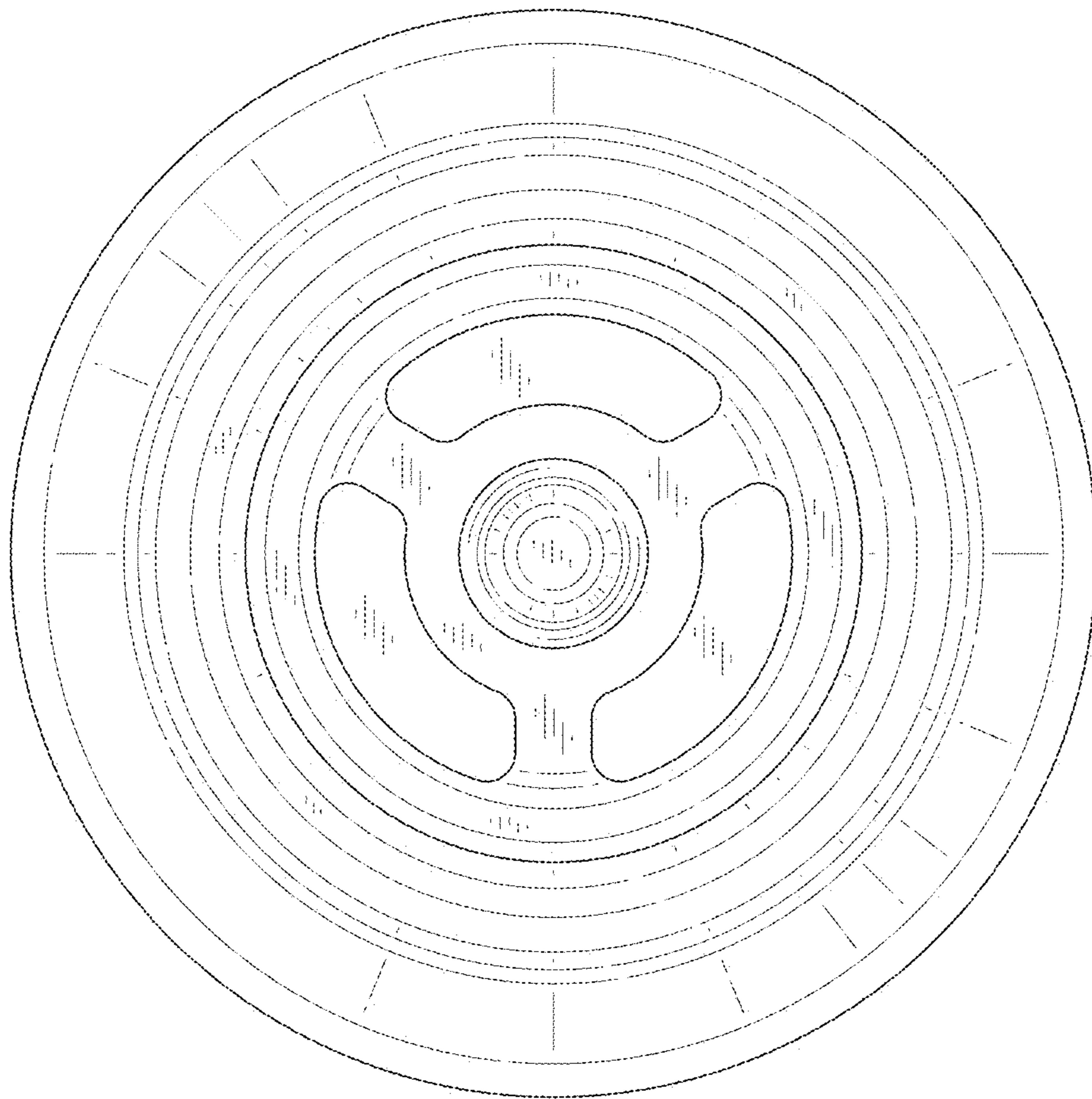


Fig.6

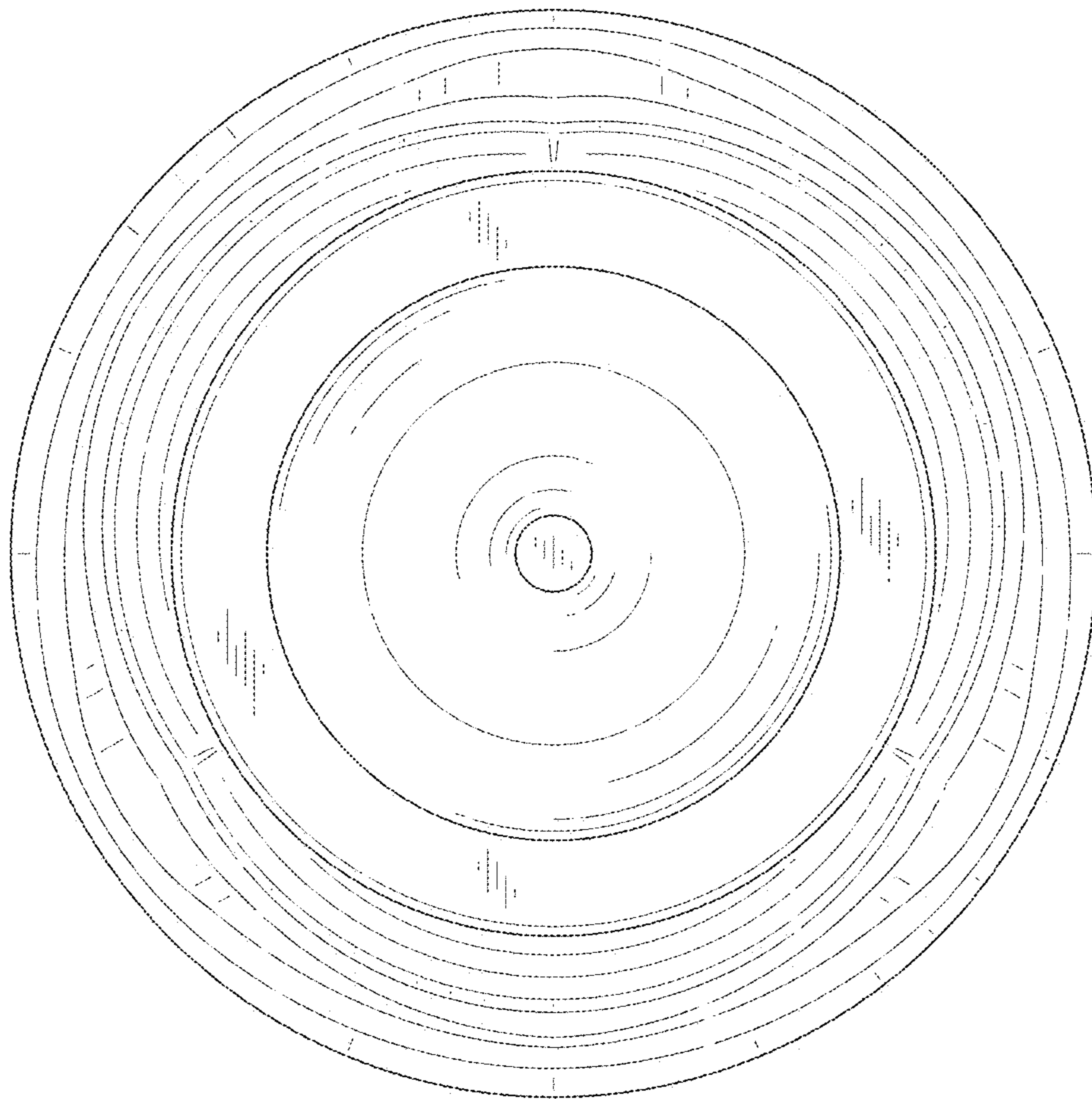


FIG.7

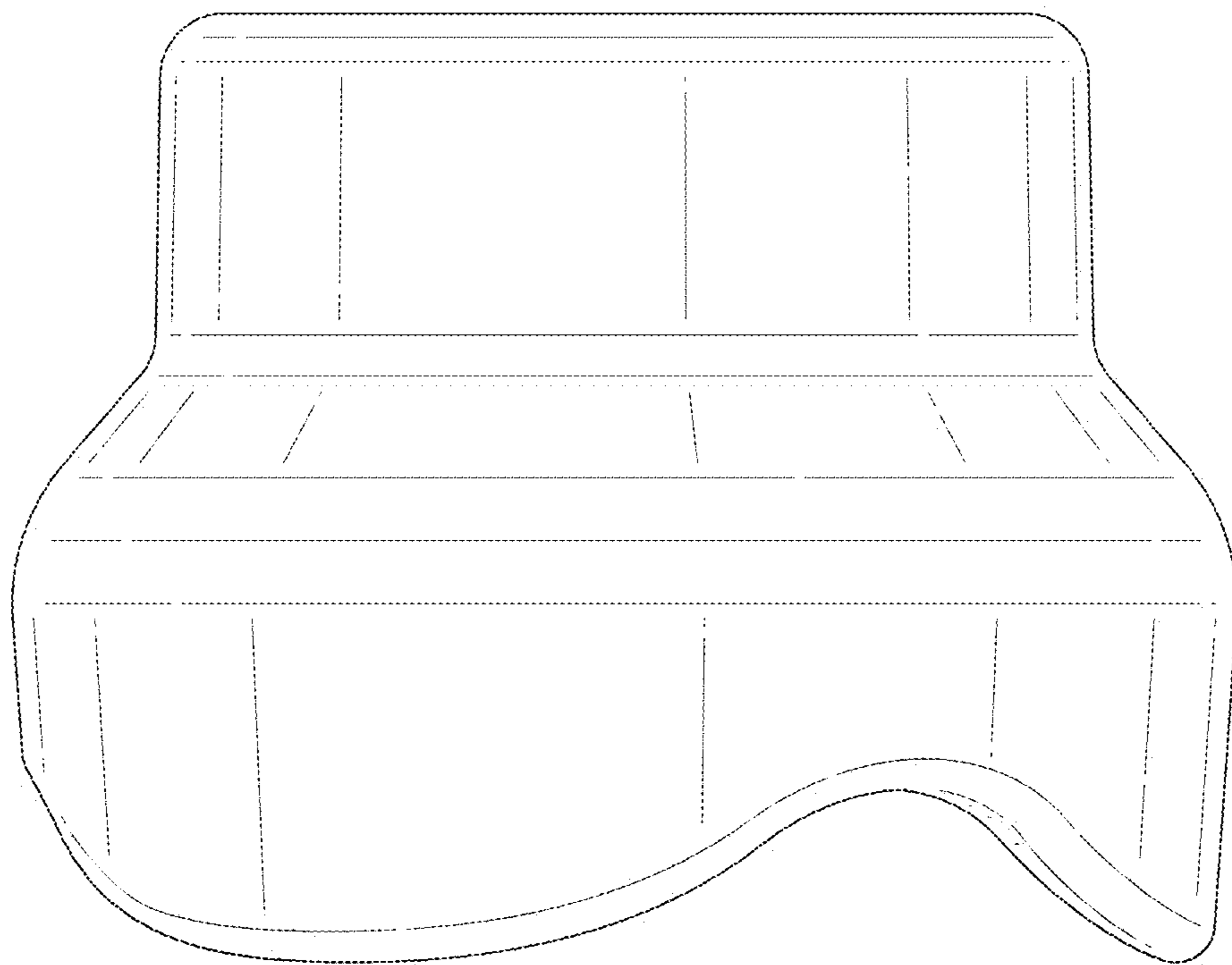


FIG.8

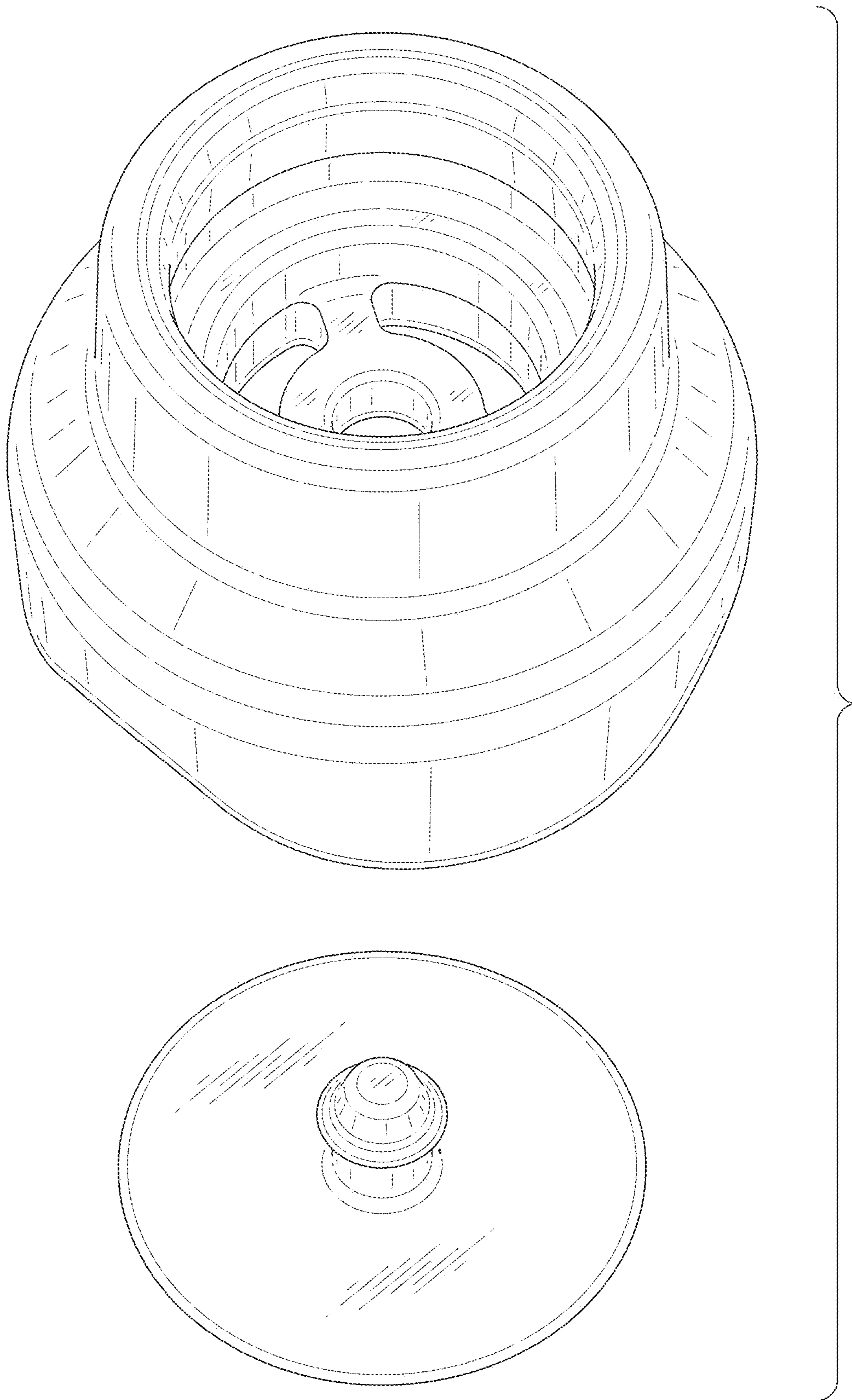


FIG.9

