



US00D988499S

(12) **United States Design Patent**
Wei

(10) **Patent No.:** **US D988,499 S**
(45) **Date of Patent:** **** Jun. 6, 2023**

(54) **NASAL ASPIRATOR**

Primary Examiner — Daniel J Domino

Assistant Examiner — Lee D. Starr

(71) Applicant: **Shenzhen Dongjiang Technology Co., LTD**, Shenzhen (CN)

(74) *Attorney, Agent, or Firm* — Runit Ranjit Kanakia

(72) Inventor: **Jun Jie Wei**, Gongyi (CN)

(57) **CLAIM**

(**) Term: **15 Years**

The ornamental design for a nasal aspirator, as shown and described.

(21) Appl. No.: **29/847,643**

(22) Filed: **Jul. 27, 2022**

DESCRIPTION

(30) **Foreign Application Priority Data**

Jul. 20, 2022 (EP) 009092414-0001

(51) **LOC (14) Cl.** **24-02**

(52) **U.S. Cl.**
USPC **D24/108**

(58) **Field of Classification Search**
USPC D24/108, 111-115, 152, 176, 137, 151,
D24/214; D10/57

(Continued)

(56) **References Cited**

U.S. PATENT DOCUMENTS

7,001,066 B1 * 2/2006 Bellifemine G01J 5/0815
374/208

D594,968 S * 6/2009 Sebban D24/108
(Continued)

FOREIGN PATENT DOCUMENTS

GB 6220472 * 7/2022

OTHER PUBLICATIONS

Baby Nasal Aspirator| Nose Sucker for Baby by Heyvalue. Amazon.
Date first available: Sep. 24, 2021. Retrieval date: Sep. 20, 2022.
Retrieved from internet: <https://www.amazon.com/Nasal-Aspirator-Baby-Nose-Sucker/dp/B092VPWPKM> (Year: 2021).*

(Continued)

FIG. 1 is a first perspective view of a first embodiment of a nasal aspirator showing my new design;

FIG. 2 is a second perspective view of the first embodiment thereof;

FIG. 3 is a front view of the first embodiment thereof;

FIG. 4 is a back view of the first embodiment thereof;

FIG. 5 is a left side view of the first embodiment thereof;

FIG. 6 is a right side view of the first embodiment thereof;

FIG. 7 is a top view of the first embodiment thereof;

FIG. 8 is a bottom view of the first embodiment thereof;

FIG. 9 is a first perspective view of a second embodiment of a nasal aspirator showing my new design;

FIG. 10 is a second perspective view of the second embodiment thereof;

FIG. 11 is a front view of the second embodiment thereof;

FIG. 12 is a back view of the second embodiment thereof;

FIG. 13 is a left side view of the second embodiment thereof;

FIG. 14 is a right side view of the second embodiment thereof;

FIG. 15 is a top view of the second embodiment thereof;

FIG. 16 is a bottom view of the second embodiment thereof;

FIG. 17 is a first perspective view of a third embodiment of a nasal aspirator showing my new design;

FIG. 18 is a second perspective view of the third embodiment thereof;

FIG. 19 is a front view of the third embodiment thereof;

FIG. 20 is a back view of the third embodiment thereof;

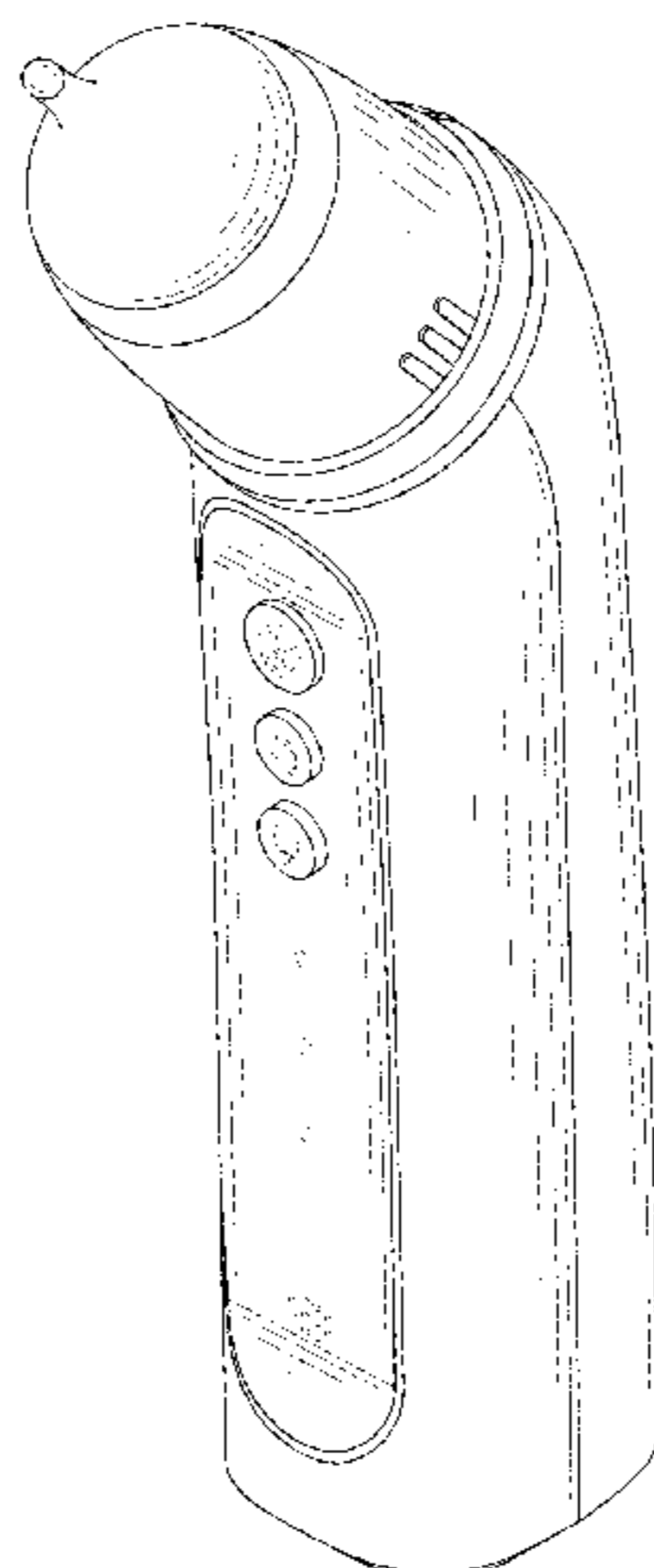
FIG. 21 is a left side view of the third embodiment thereof;

FIG. 22 is a right side view of the third embodiment thereof;

FIG. 23 is a top view of the third embodiment thereof; and,

FIG. 24 is a bottom view of the third embodiment thereof.

(Continued)



The broken lines shown in the drawings depict portions of the nasal aspirator that form no part of the claimed design.

1 Claim, 24 Drawing Sheets

(58) Field of Classification Search

CPC A61M 1/003; A61M 1/0023; A61M 1/64; A61M 1/65; A61M 1/76; A61M 2205/8206; A61M 2210/0618; A61B 2017/246

See application file for complete search history.

(56) References Cited

U.S. PATENT DOCUMENTS

D849,229	S	*	5/2019	Jiang	D24/108
D875,267	S	*	2/2020	Zeng	D24/214
D883,470	S	*	5/2020	Wei	D24/108
D942,030	S	*	1/2022	Wang	D24/214

D950,712	S	*	5/2022	Li	D24/111
2005/0049620	A1	*	3/2005	Chang	A61M 1/64 606/162
2008/0154183	A1	*	6/2008	Baker	A61M 1/772 604/28
2018/0369459	A1	*	12/2018	Abate	A61M 1/60
2022/0143294	A1	*	5/2022	Wei	A61M 1/64
2022/0288295	A1	*	9/2022	Pan	A61M 1/87

OTHER PUBLICATIONS

Nasal Aspirator for Baby, Electric Baby Nose Sucker with Adjustable 3 Levels Suction by Bivni. Amazon. Date first available: May 23, 2022. Retrieval date: Sep. 20, 2022. Retrieved from internet: <https://www.amazon.com/Aspirator-Electric-Adjustable-Suction-Rechargeable/dp/B0B1ZXQRC1> (Year: 2022).*

FridaBaby Electric NoseFrida by FridaBaby. Amazon. Oldest review date: Jul. 13, 2021. Retrieval date: Sep. 20, 2022. Retrieved from internet: <https://www.amazon.com/FridaBaby-NoseFrida-Rechargeable-Aspirator-Different/dp/B094Z43BQF> (Year: 2021) (Year: 2021).*

* cited by examiner

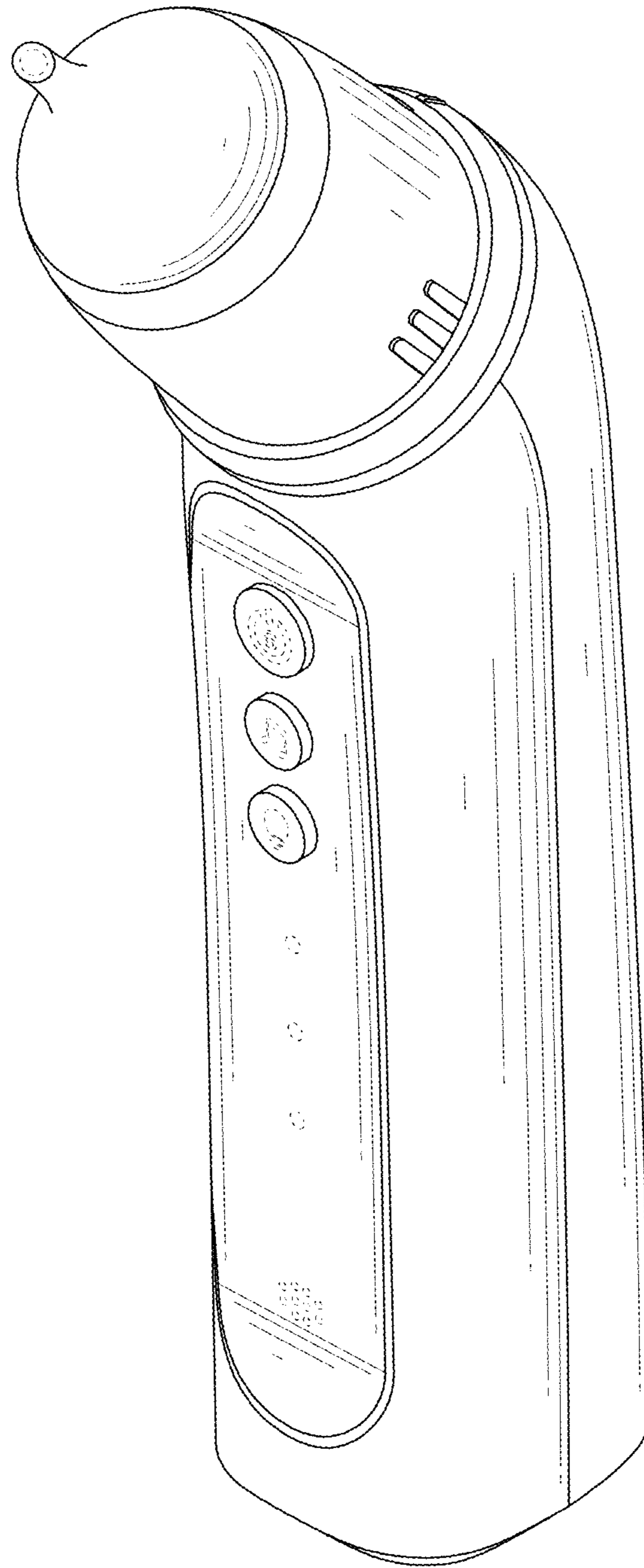


FIG. 1

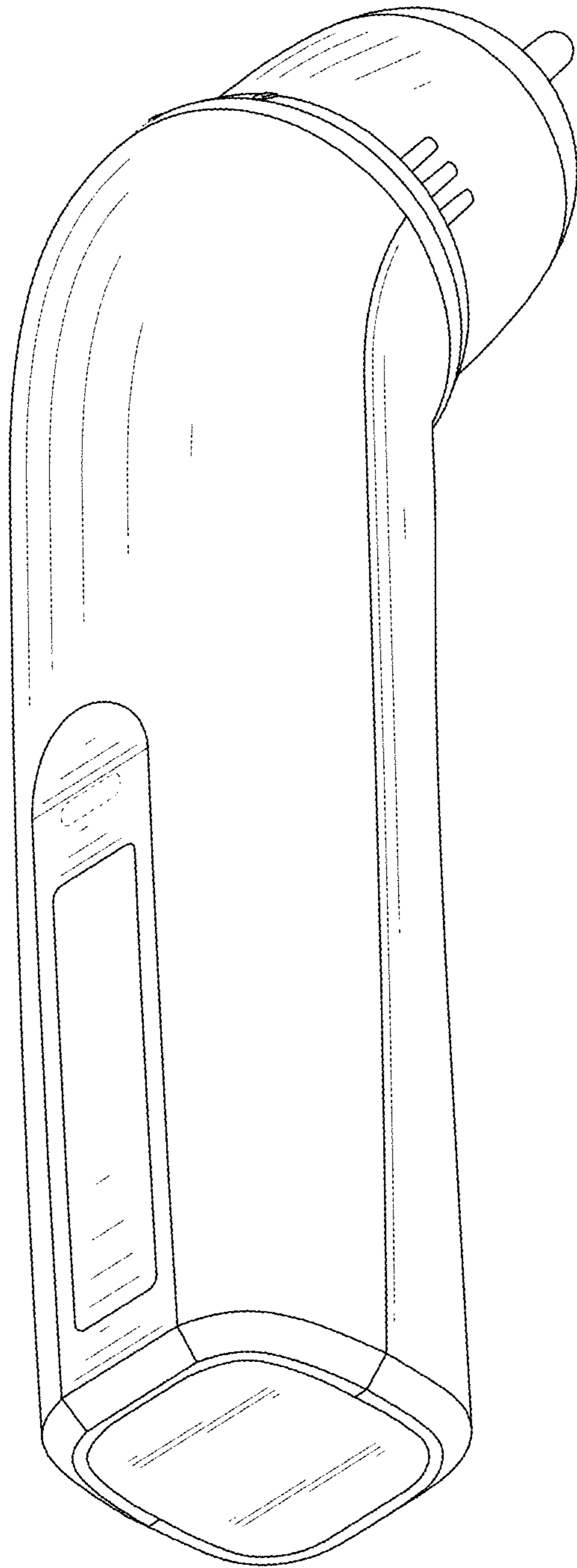


FIG. 2

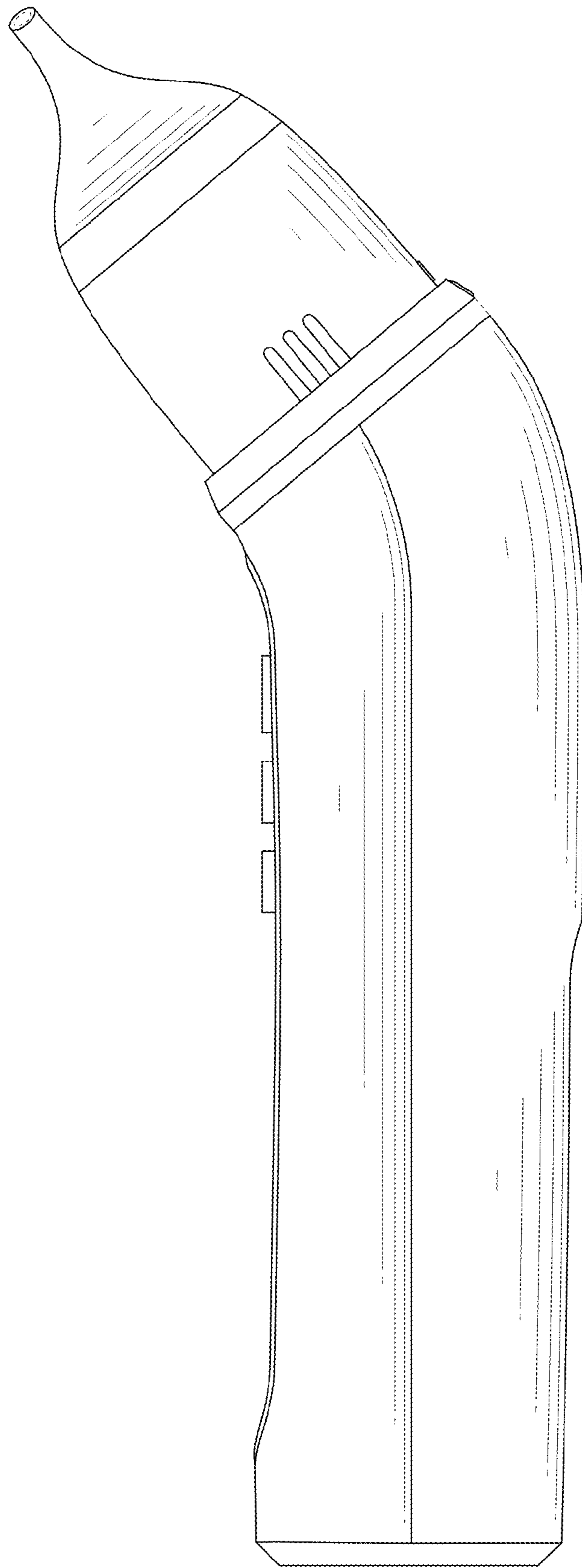


FIG. 3

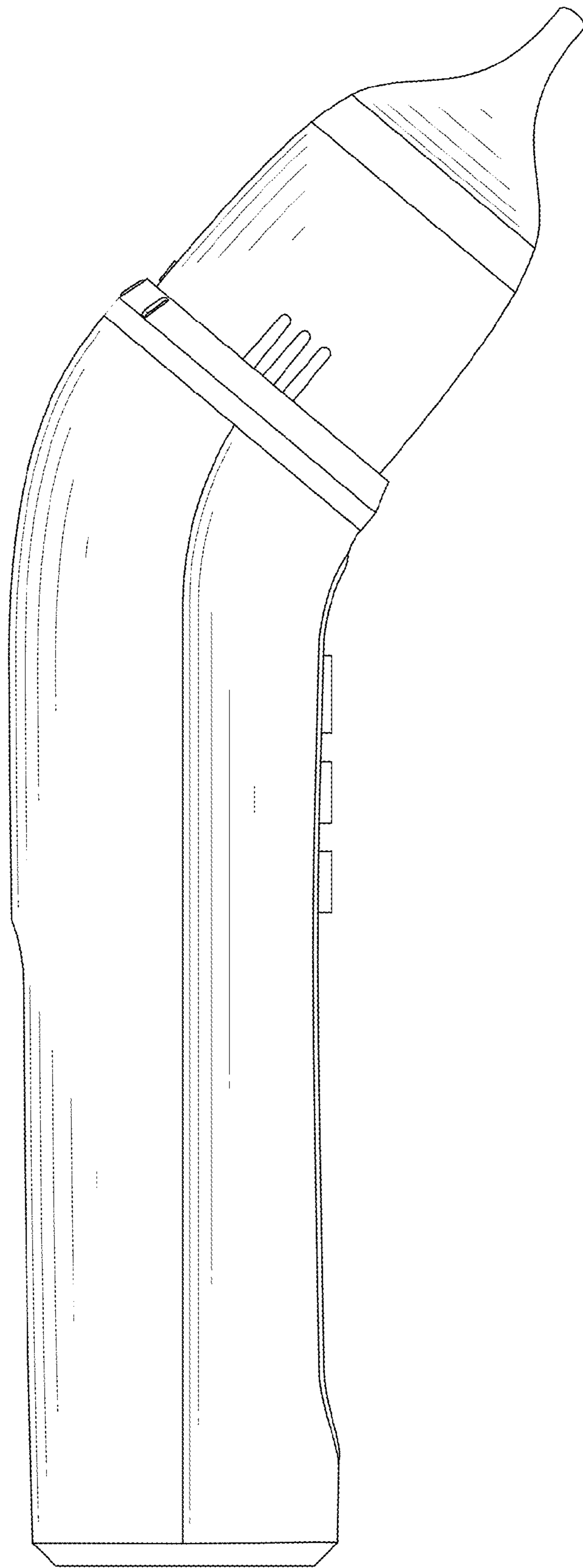


FIG. 4

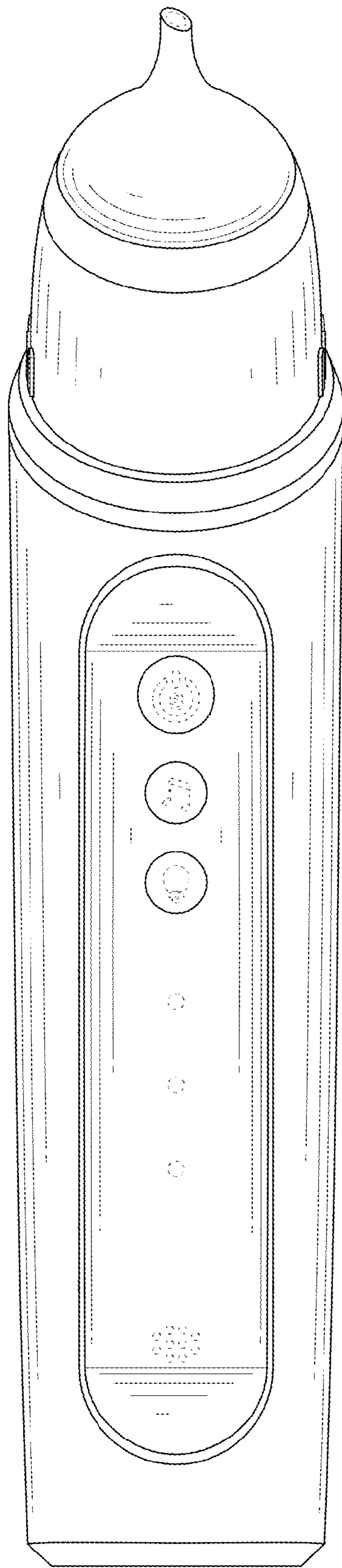


FIG. 5

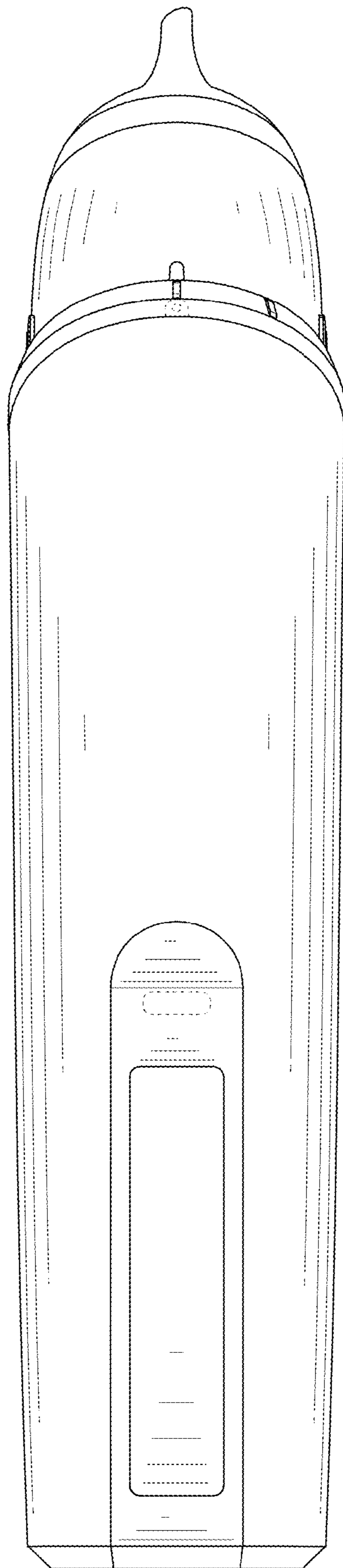


FIG. 6

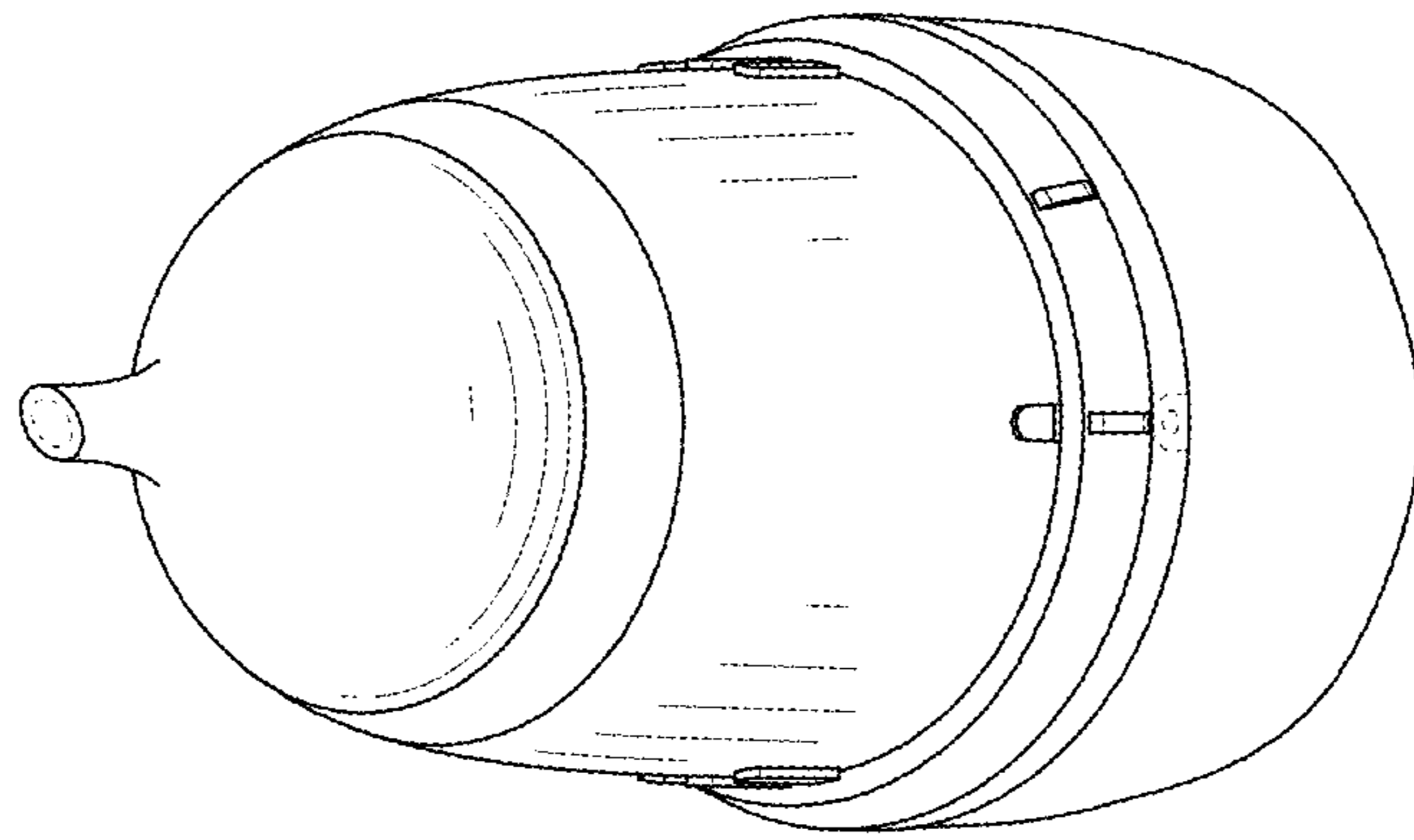


FIG. 7

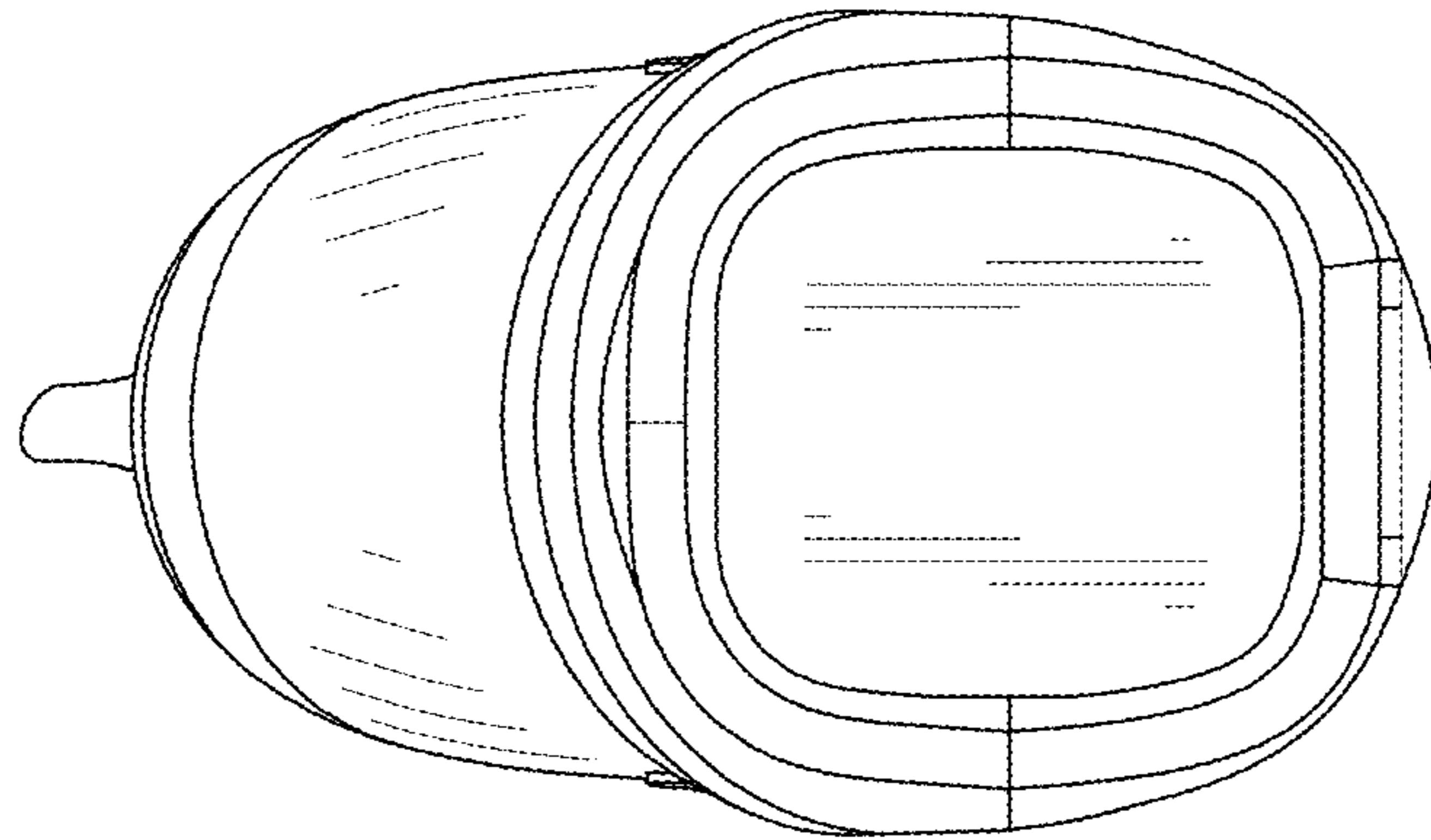


FIG. 8

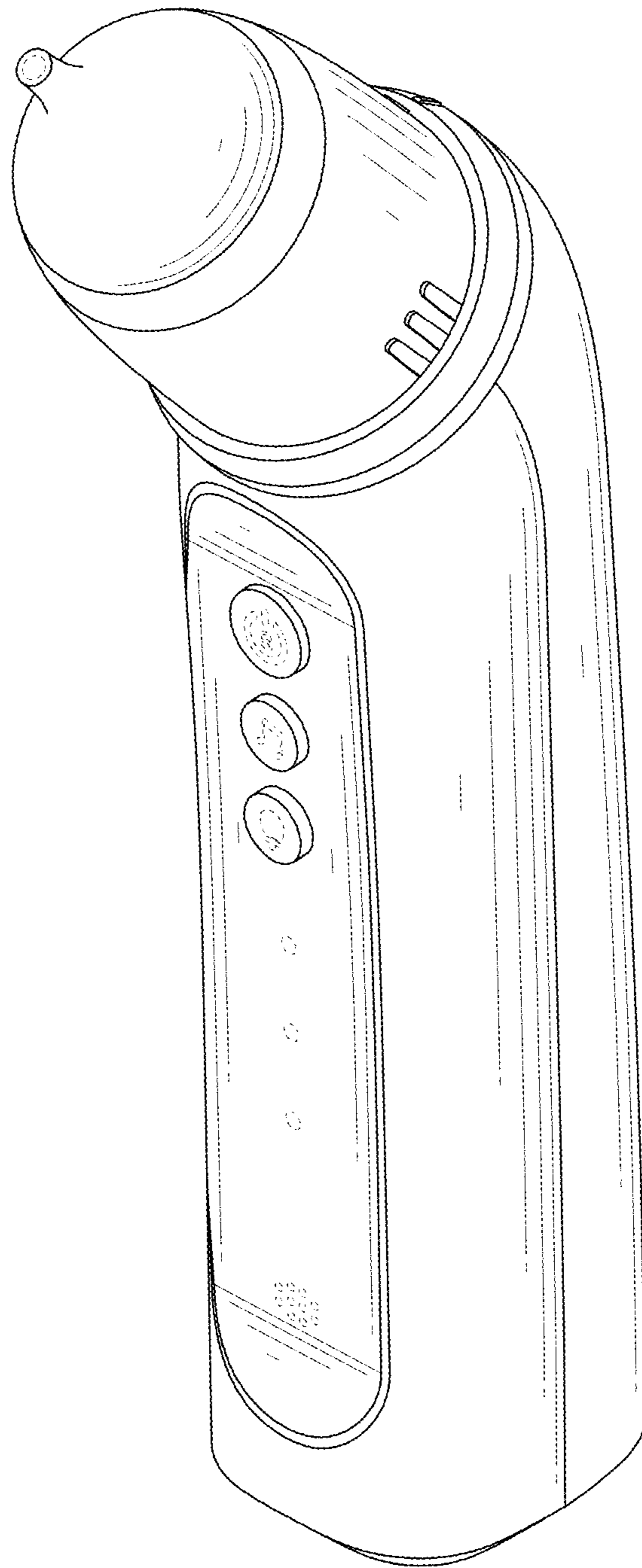


FIG. 9

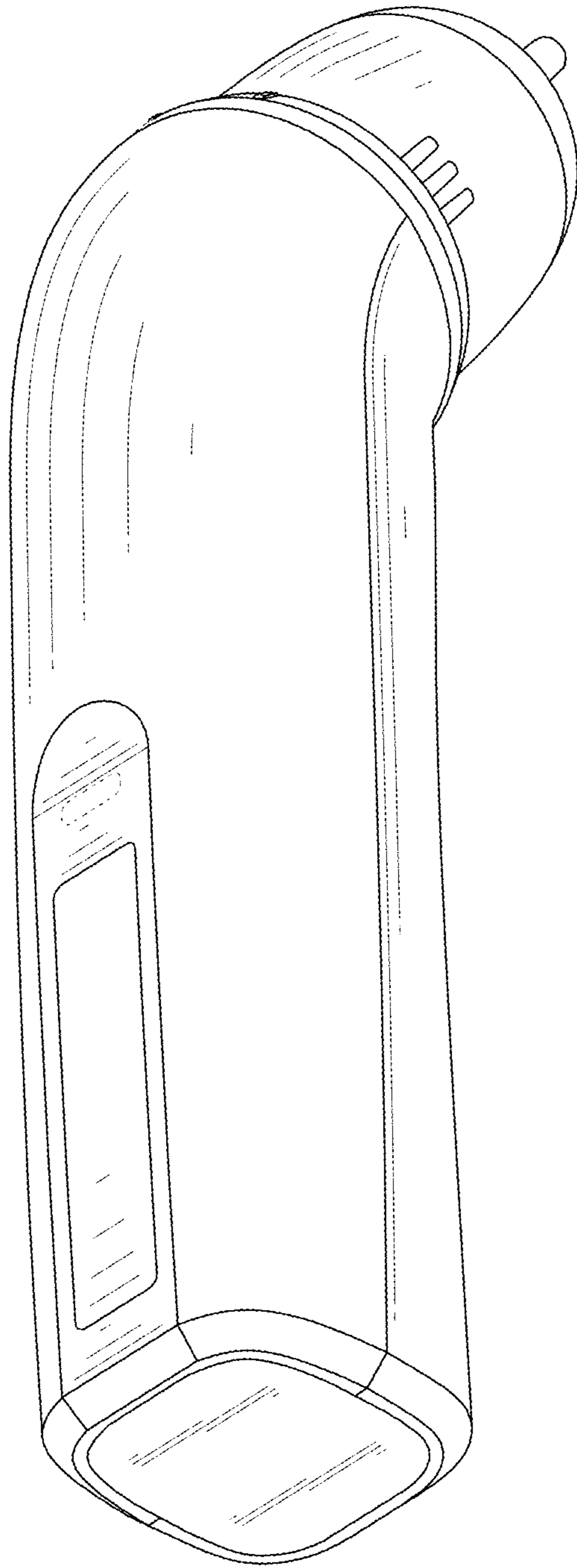


FIG. 10

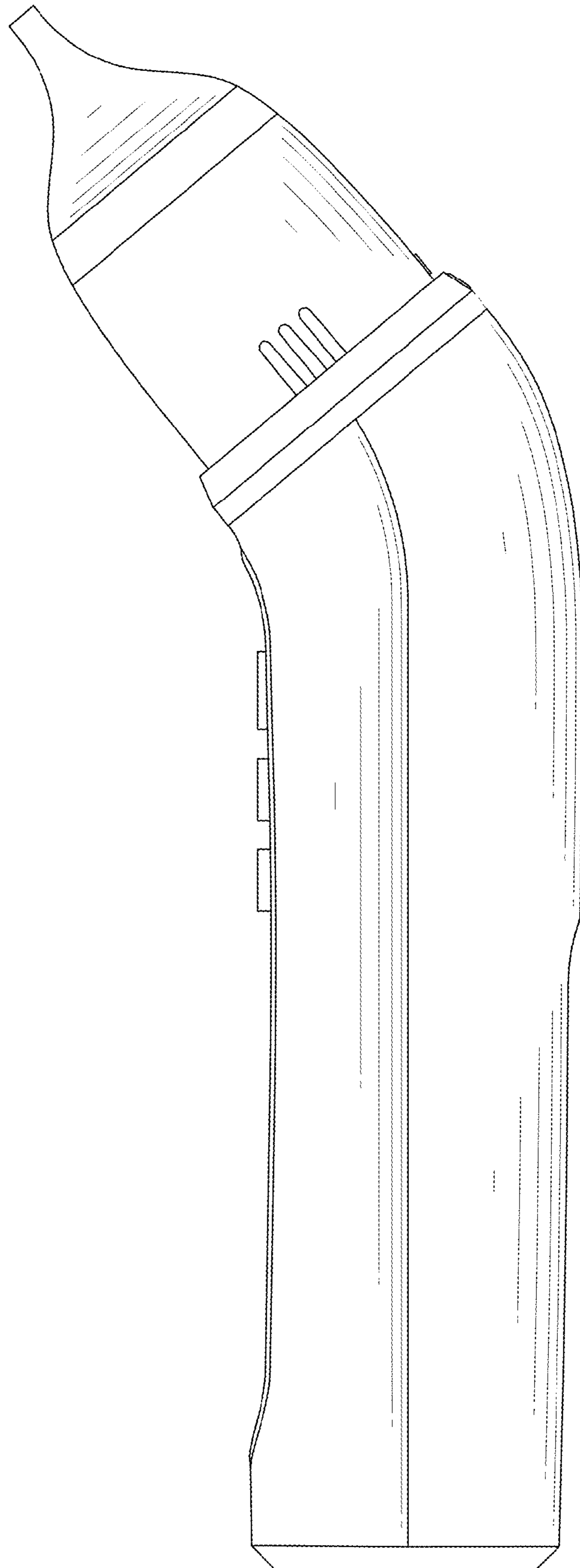


FIG. 11

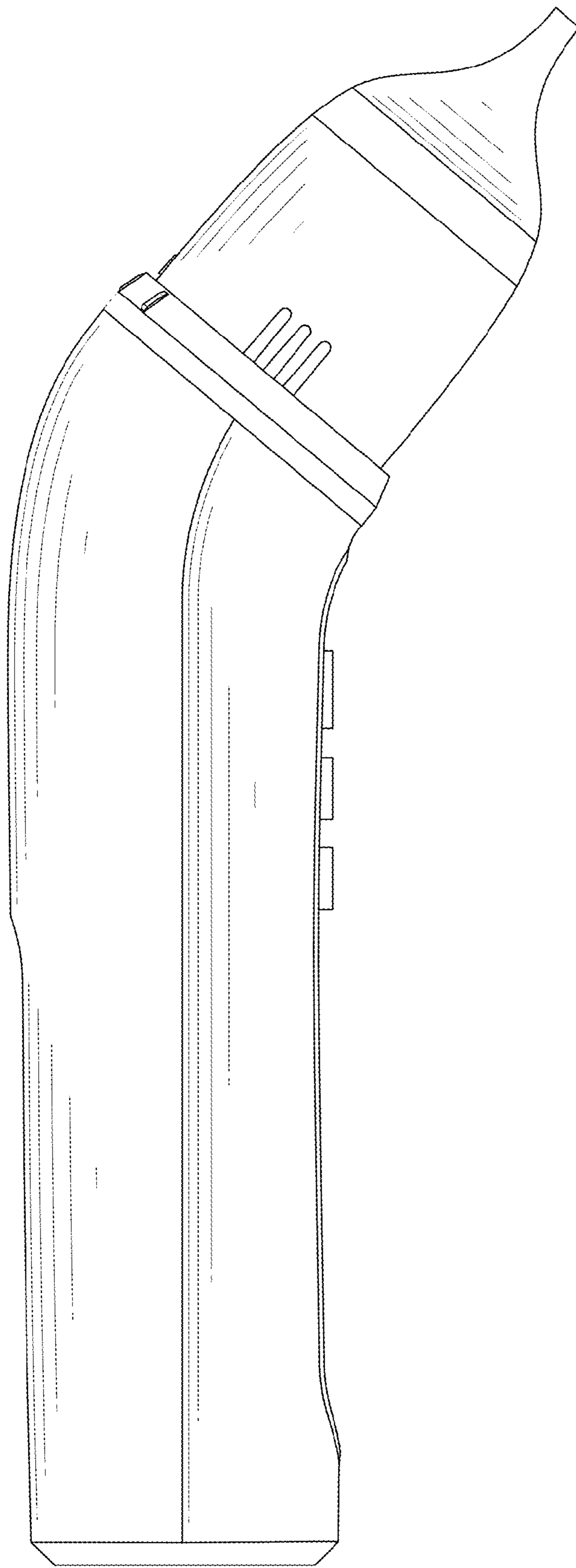


FIG. 12

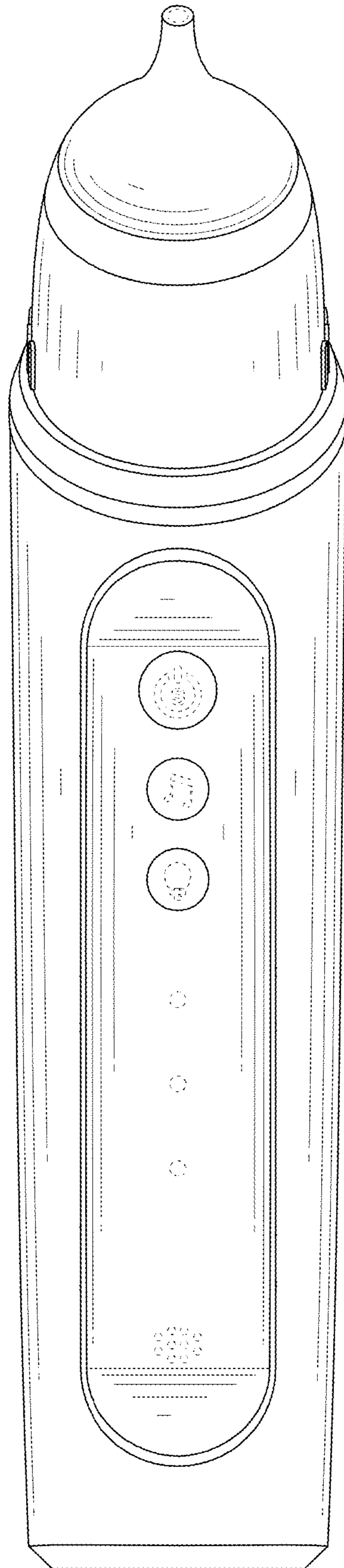


FIG. 13

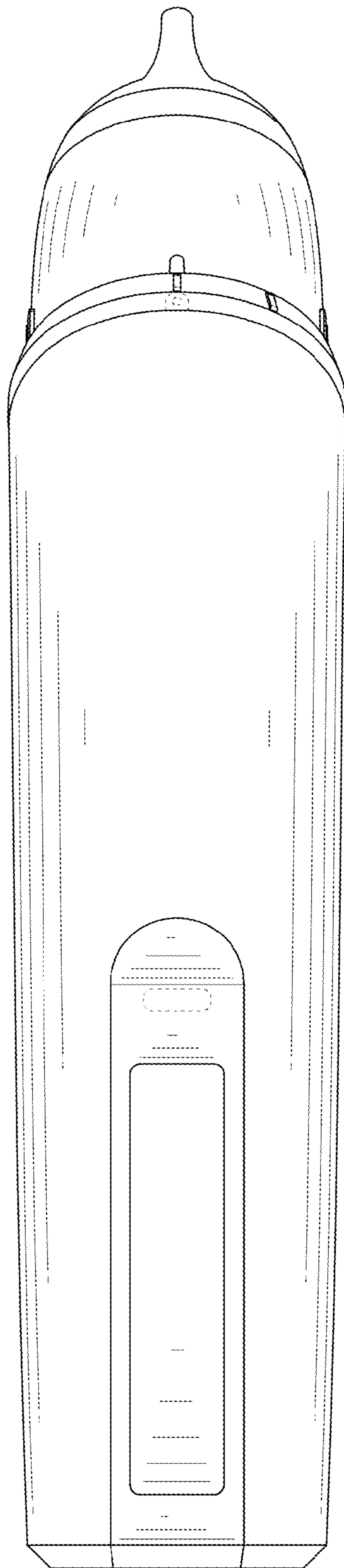


FIG. 14

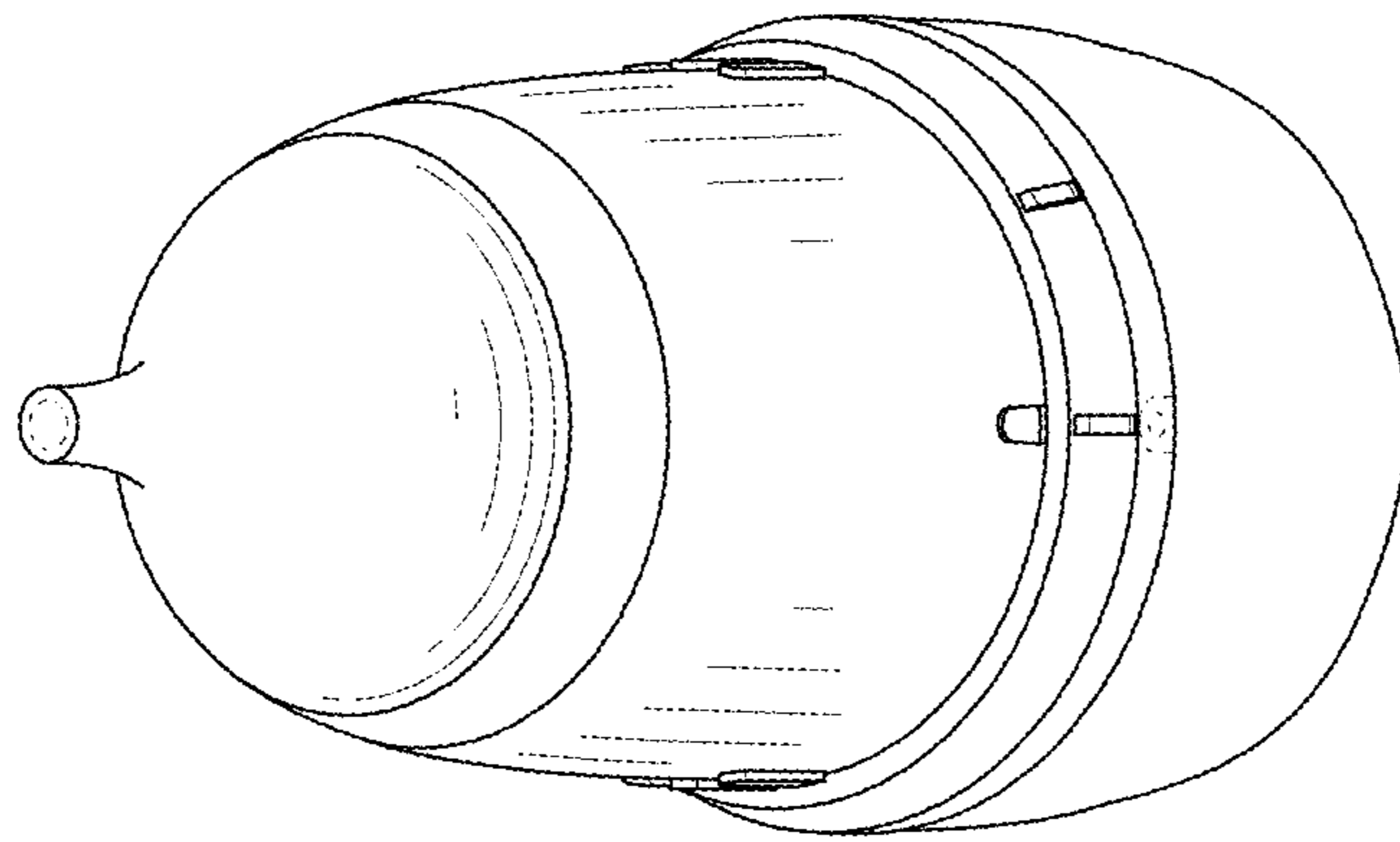


FIG. 15

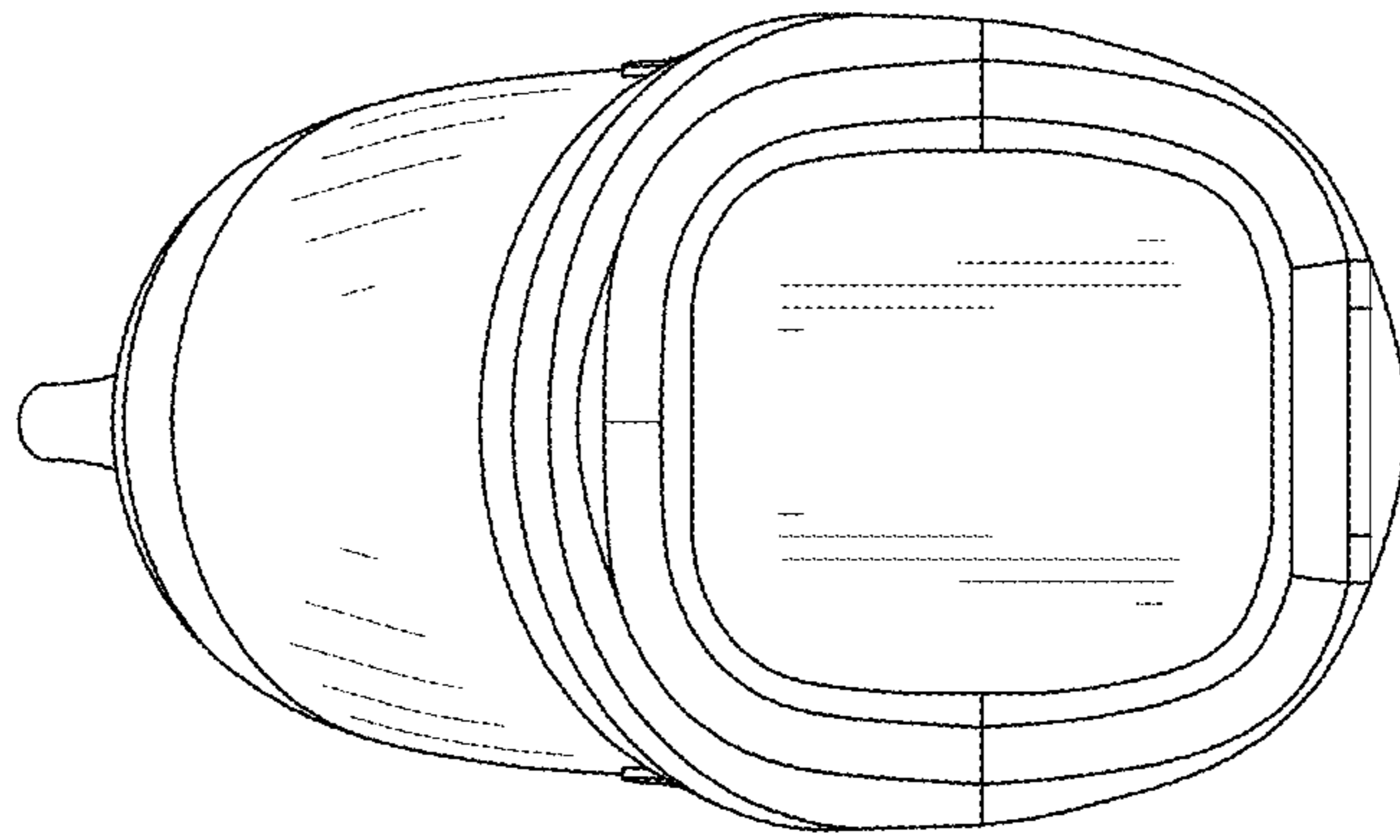


FIG. 16

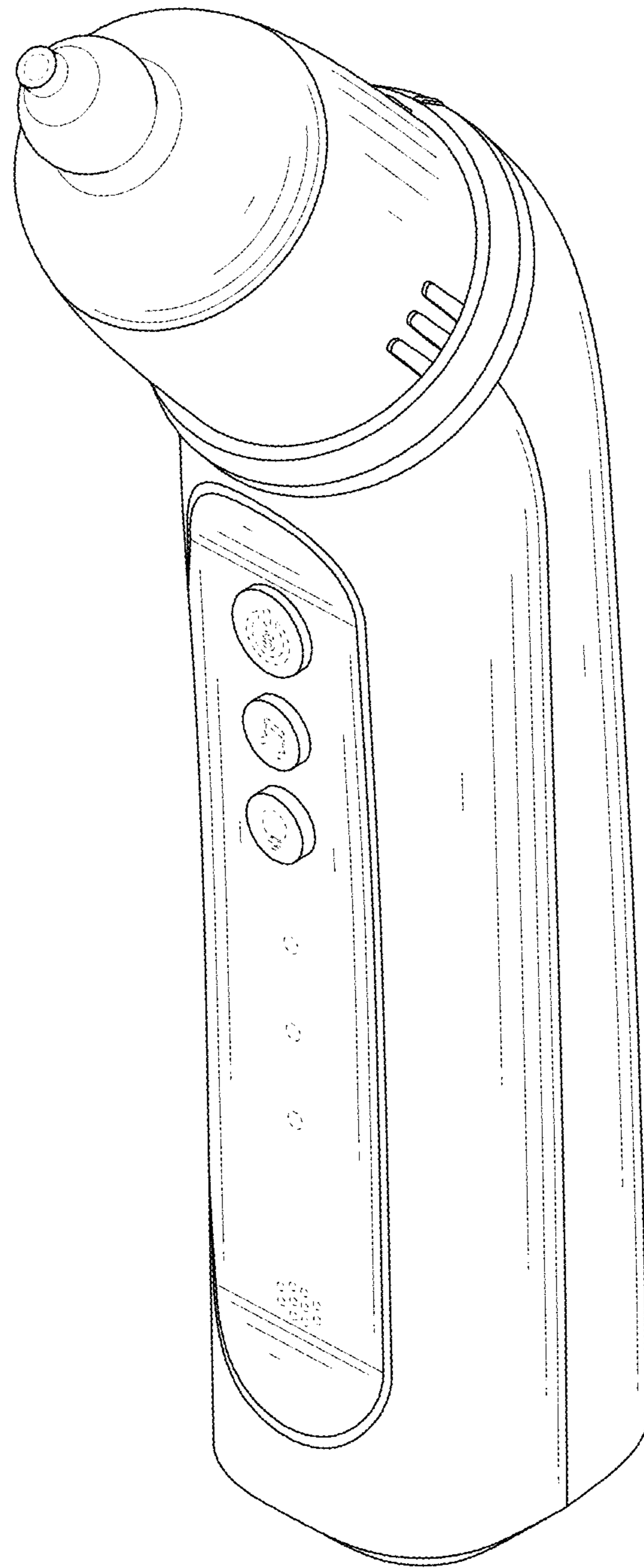


FIG. 17

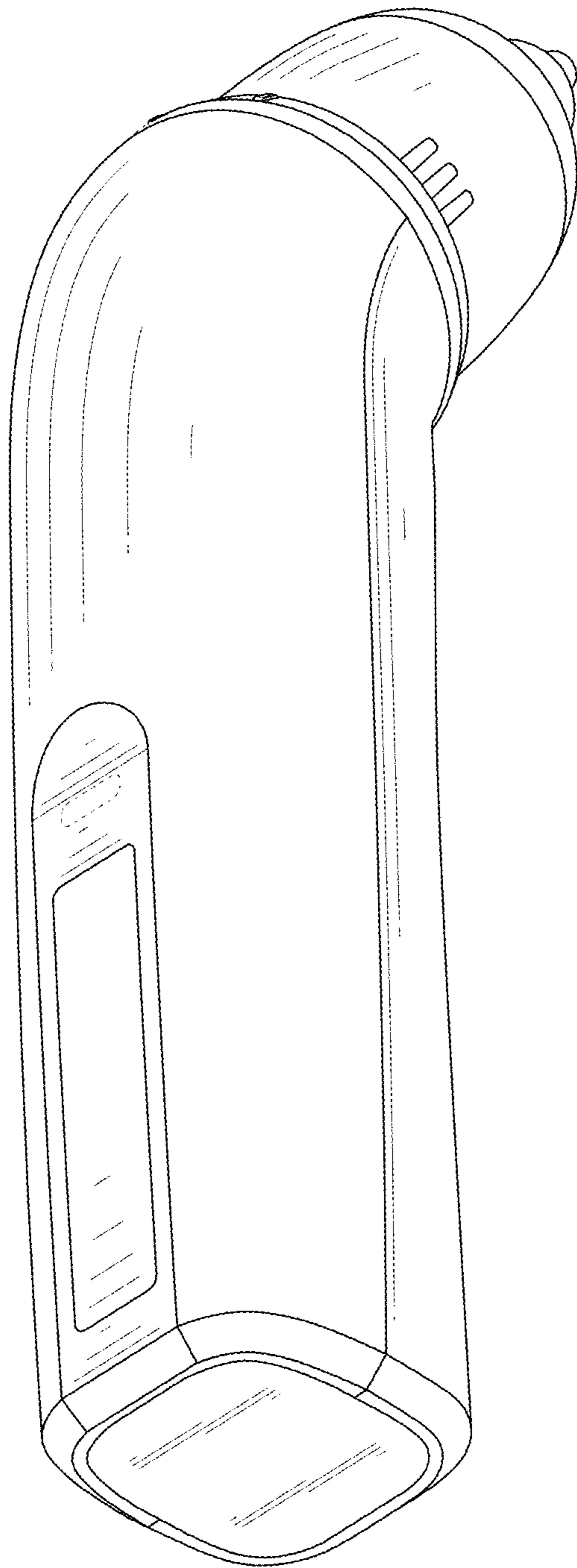


FIG. 18

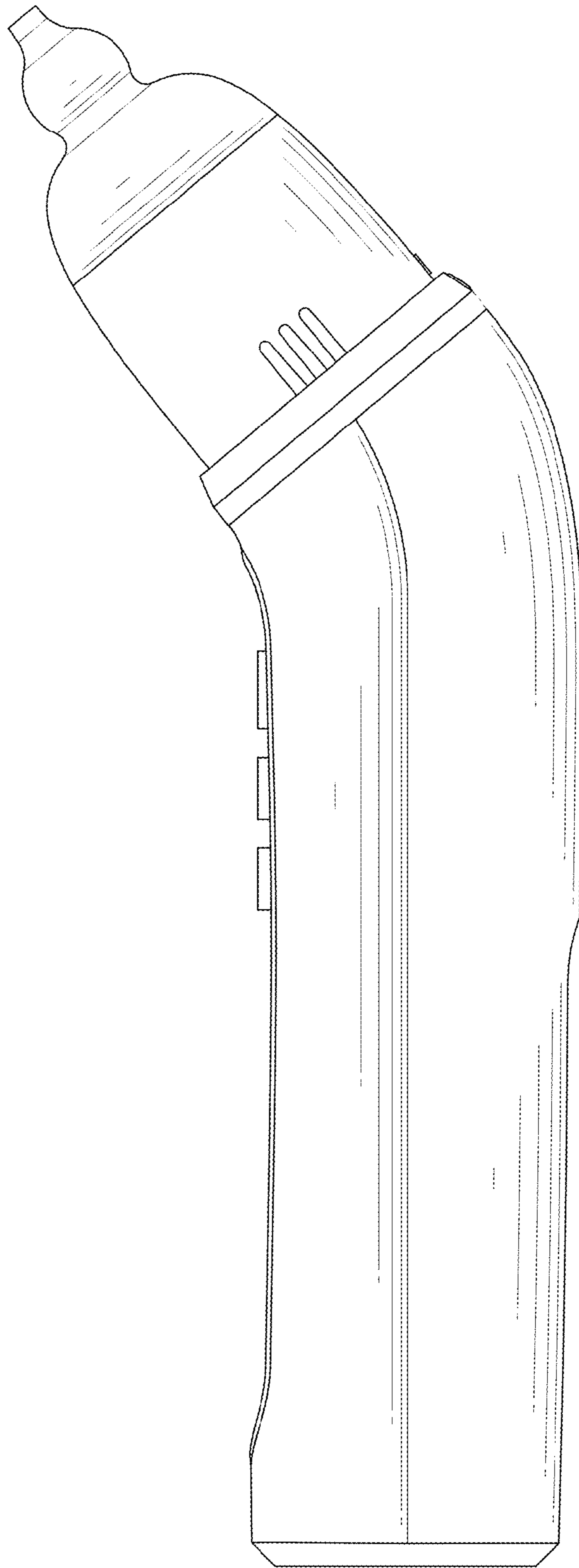


FIG. 19

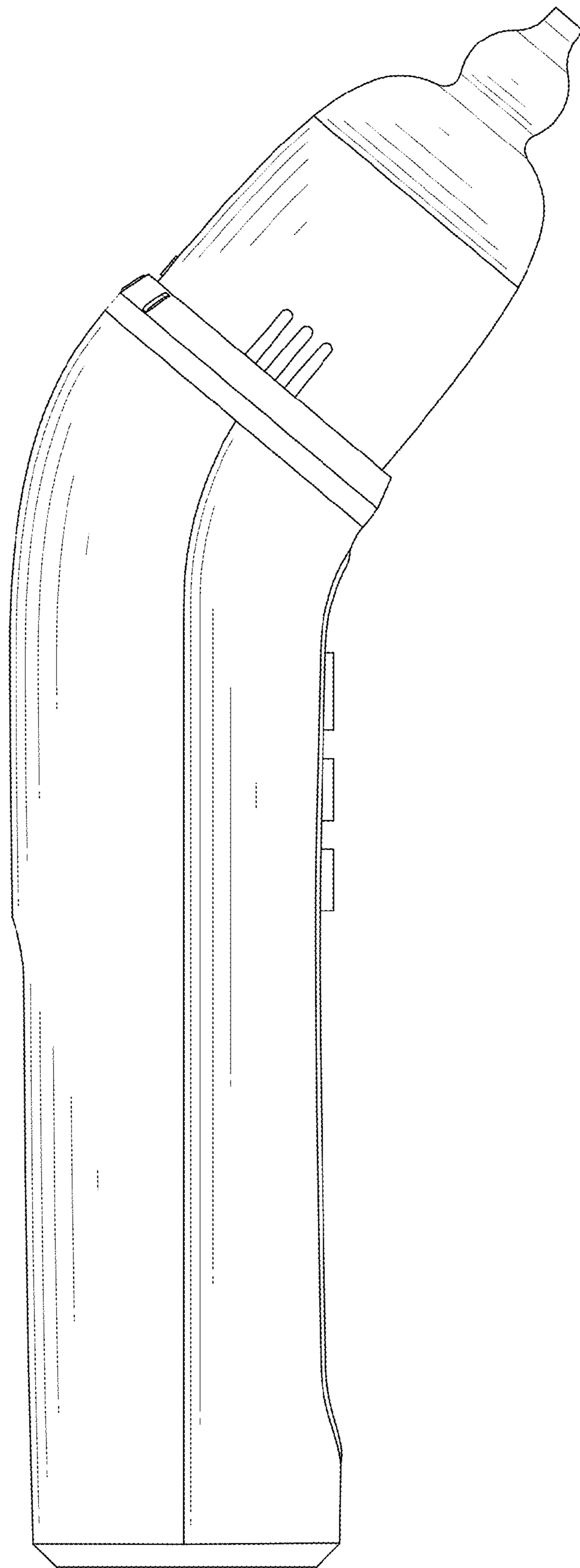


FIG. 20

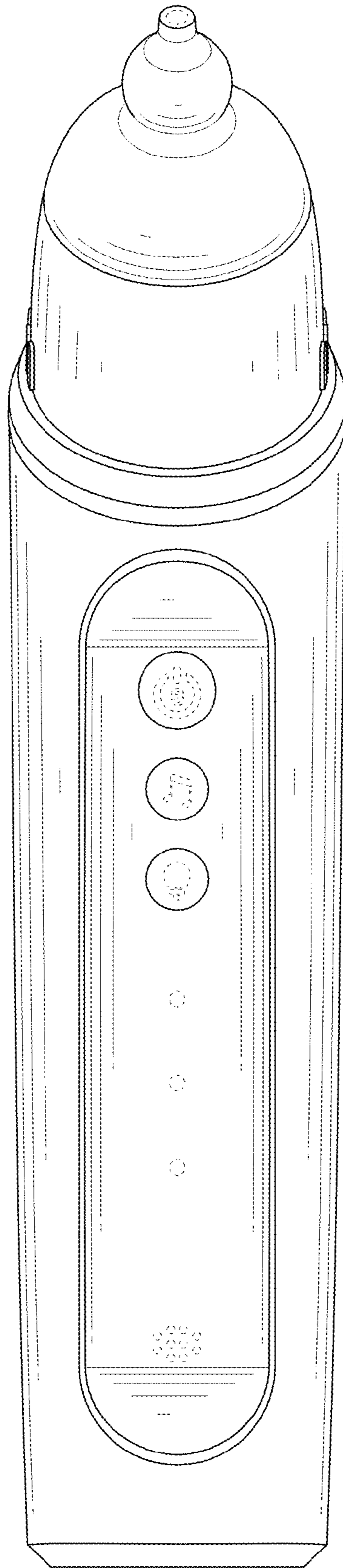


FIG. 21

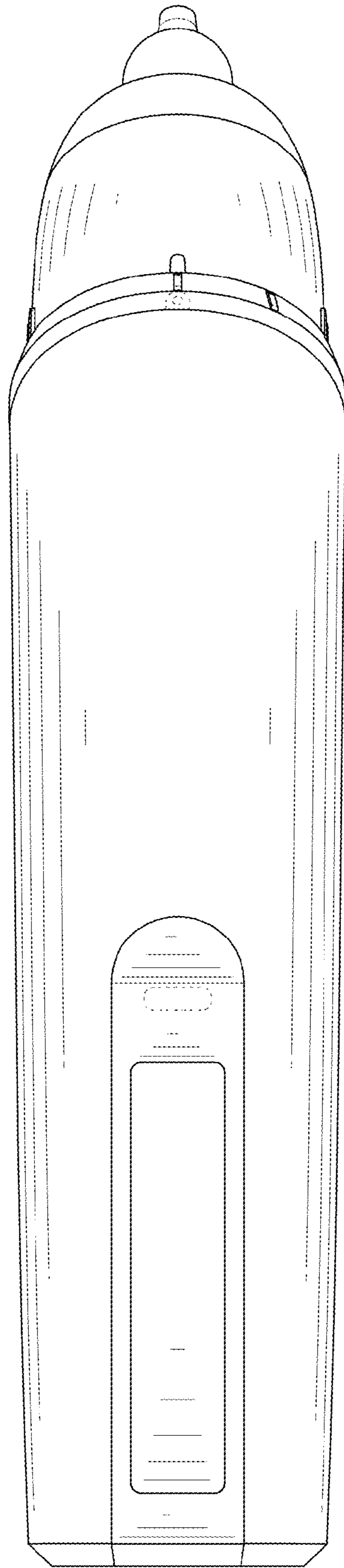


FIG. 22

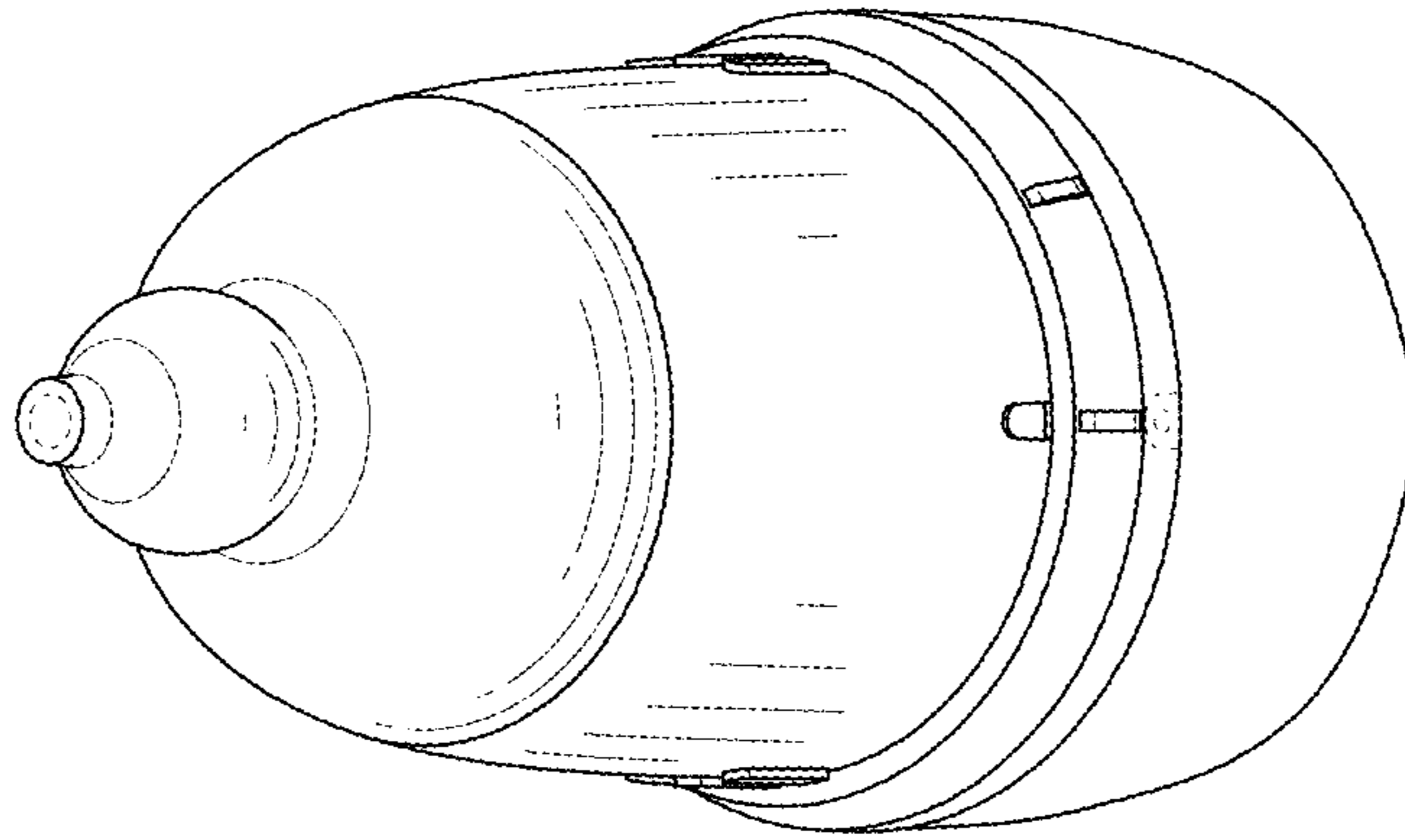


FIG. 23

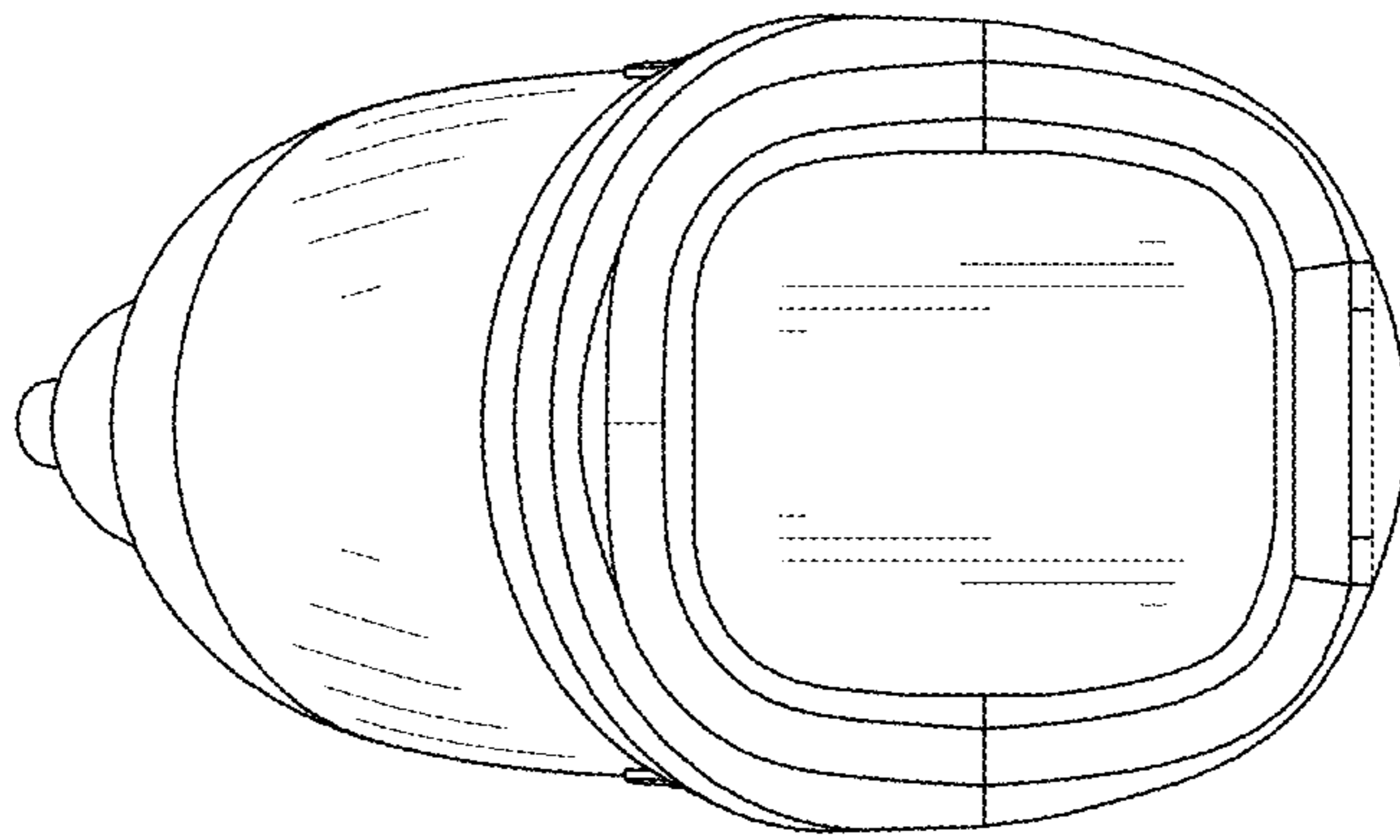


FIG. 24