



US00D988496S

(12) **United States Design Patent**
Yang

(10) **Patent No.:** **US D988,496 S**
(45) **Date of Patent:** **** Jun. 6, 2023**

- (54) **SOLAR FAN**
- (71) Applicant: **Shenzhen HLE Photoelectric Science Technology Co., Ltd., Shenzhen (CN)**
- (72) Inventor: **Wei Yang, Shenzhen (CN)**
- (**) Term: **15 Years**
- (21) Appl. No.: **29/884,517**
- (22) Filed: **Feb. 13, 2023**
- (30) **Foreign Application Priority Data**
Feb. 8, 2023 (CN) 202330039426.8
- (51) **LOC (14) Cl.** **23-04**
- (52) **U.S. Cl.**
USPC **D23/381**
- (58) **Field of Classification Search**
USPC D23/370, 380-382, 411, 333
CPC .. F04D 29/005; F04D 25/166; F04D 25/0673;
F04D 29/703
See application file for complete search history.

(56) **References Cited**

U.S. PATENT DOCUMENTS

D254,567 S	3/1980	Wagner	
D329,694 S	9/1992	Wimberly	
D387,151 S *	12/1997	Fok	D23/370
D425,192 S	5/2000	Humphrey	
D429,326 S *	8/2000	Fok	D23/332
D434,132 S *	11/2000	Shapiro	D23/382
D460,542 S *	7/2002	Li	D23/382
D531,296 S *	10/2006	Chen	D23/370
D546,436 S *	7/2007	Chen	D23/382
D546,933 S *	7/2007	Chen	D23/382
D564,084 S *	3/2008	Chen	D23/382
D565,721 S *	4/2008	Chen	D23/382
D566,260 S *	4/2008	Chen	D23/382
D595,836 S *	7/2009	Ediger	D23/411

D596,284 S *	7/2009	Ediger	D23/411
D607,097 S	12/2009	Yen	
D665,896 S	8/2012	Yen	
D689,599 S *	9/2013	Herbst	D23/382
D689,600 S *	9/2013	Herbst	D23/382
D750,212 S *	2/2016	Herbst	D23/382
D754,316 S *	4/2016	Yasuoka	D23/366
D762,835 S	8/2016	Stocker	
D818,106 S *	5/2018	Junkel	D23/382
D818,108 S *	5/2018	Junkel	D23/382
D892,293 S *	8/2020	Okuhara	D23/370
D893,698 S *	8/2020	Lin	D23/381
D919,075 S *	5/2021	Lin	D23/381
D943,080 S *	2/2022	Breit	D23/381
D943,729 S *	2/2022	Ma	D23/333
D962,416 S *	8/2022	Lin	D23/381
D974,540 S *	1/2023	Tang	D23/381
2009/0162188 A1 *	6/2009	Milks	F04D 25/12 415/121.2

(Continued)

Primary Examiner — Janice Hallmark

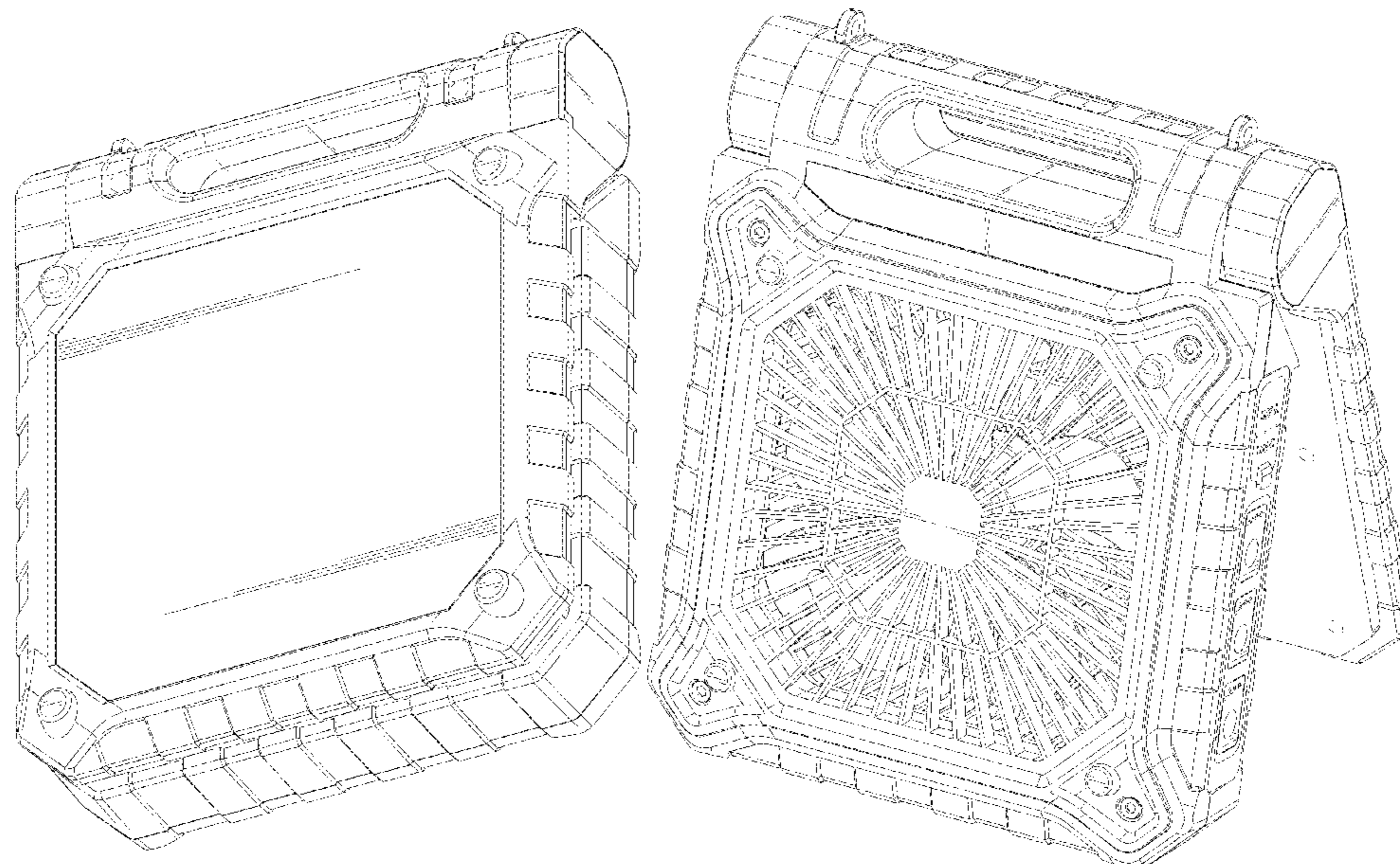
(57) **CLAIM**

The ornamental design for a solar fan, as shown and described.

DESCRIPTION

FIG. 1 is a front, right, and top perspective view of a solar fan, showing my new design;
 FIG. 2 is rear, left, and bottom perspective view thereof;
 FIG. 3 is a front elevational view thereof;
 FIG. 4 is a rear elevational view thereof;
 FIG. 5 is a left elevational view thereof;
 FIG. 6 is a right elevational view thereof;
 FIG. 7 is a top plan view thereof;
 FIG. 8 is a bottom plan view thereof; and,
 FIG. 9 is a perspective view of the solar fan of FIG. 1 shown in a position of use.
 The broken lines depict portions of the solar fan that form no part of the claimed design.

1 Claim, 9 Drawing Sheets



(56)

References Cited

U.S. PATENT DOCUMENTS

2016/0076547 A1* 3/2016 Chu F04D 29/52
417/411
2019/0237984 A1* 8/2019 Dorvil H02S 99/00
2020/0378390 A1* 12/2020 Ikeuchi F04D 25/084
2022/0080437 A1* 3/2022 Zhong B05B 1/3006

* cited by examiner

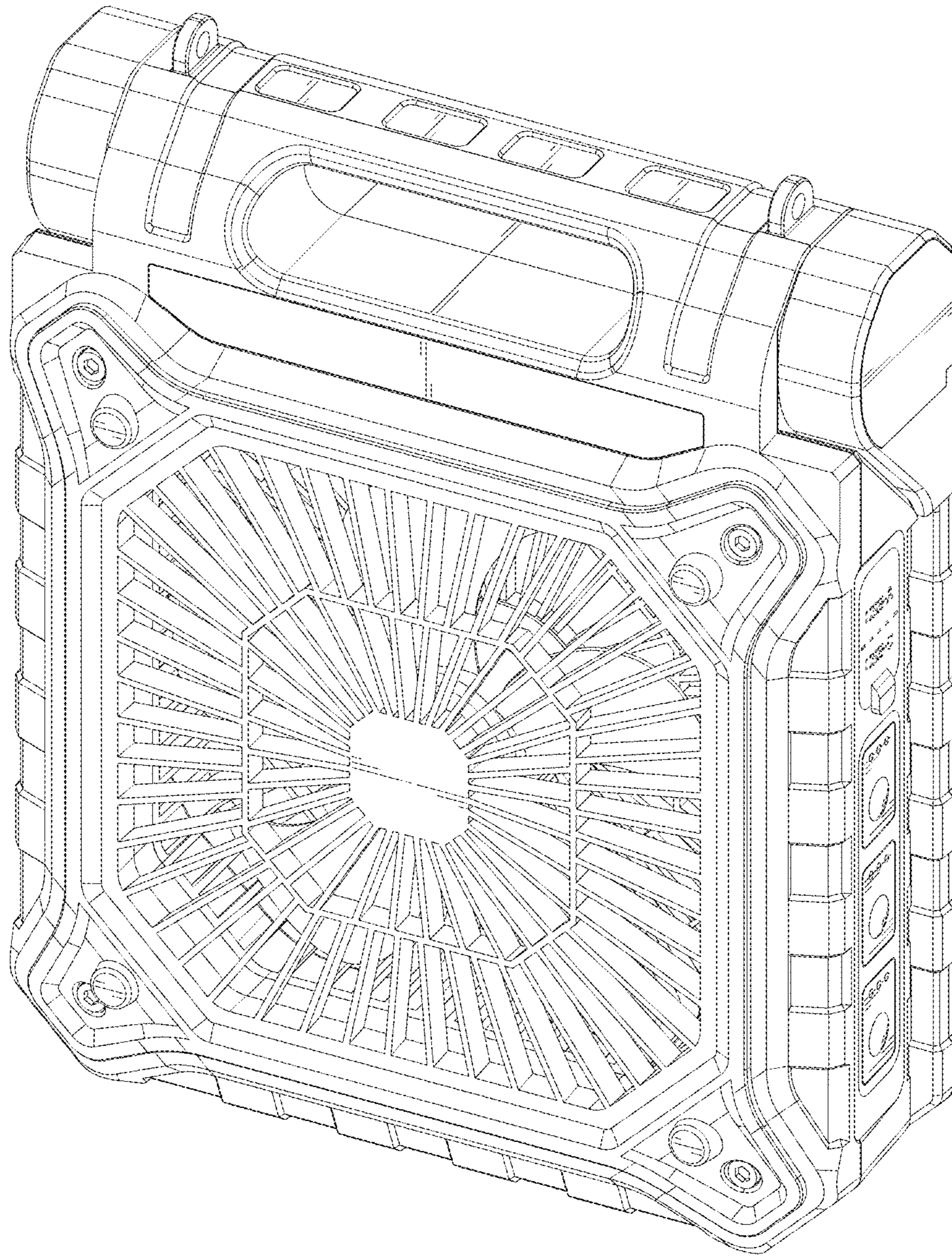


FIG.1

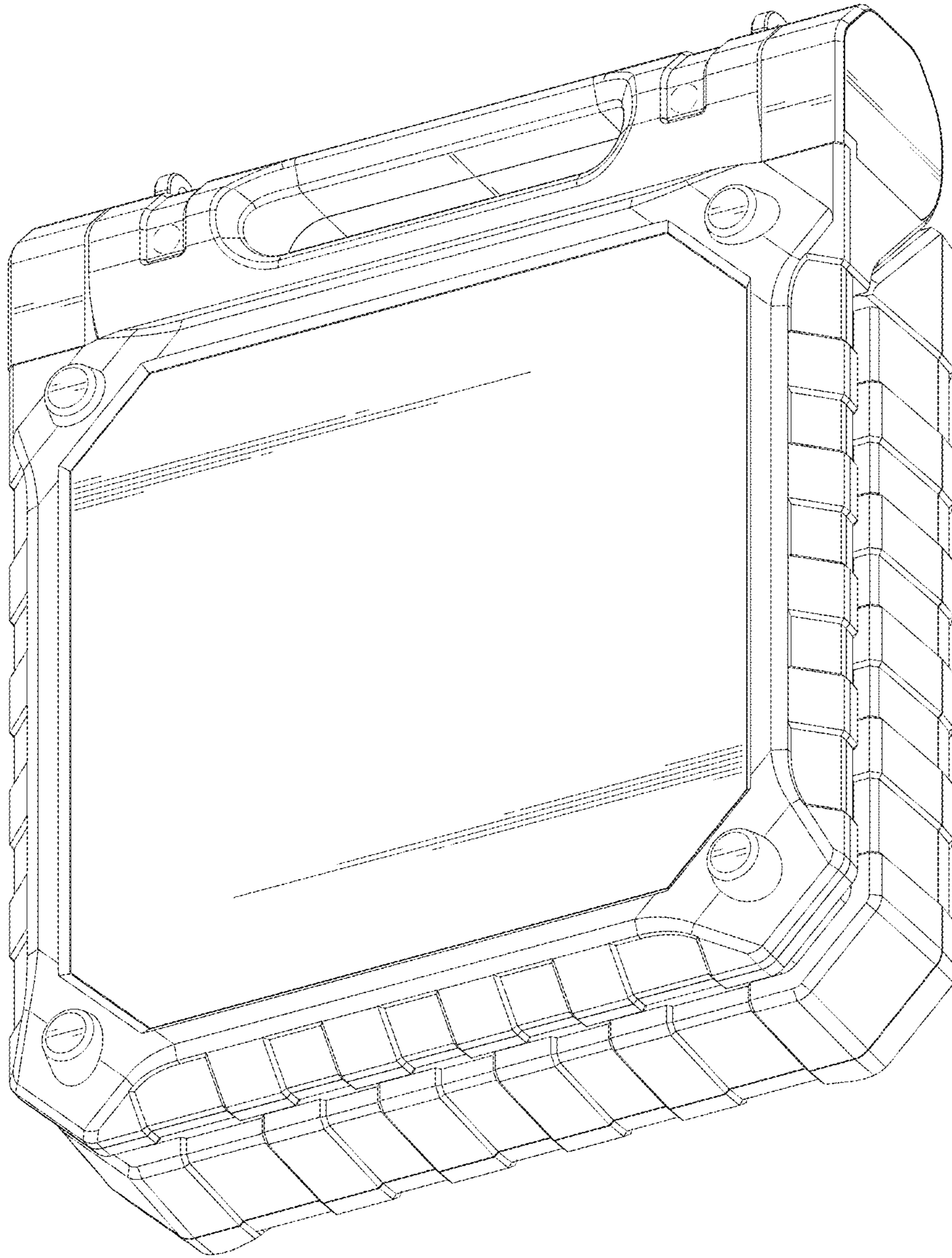


FIG.2

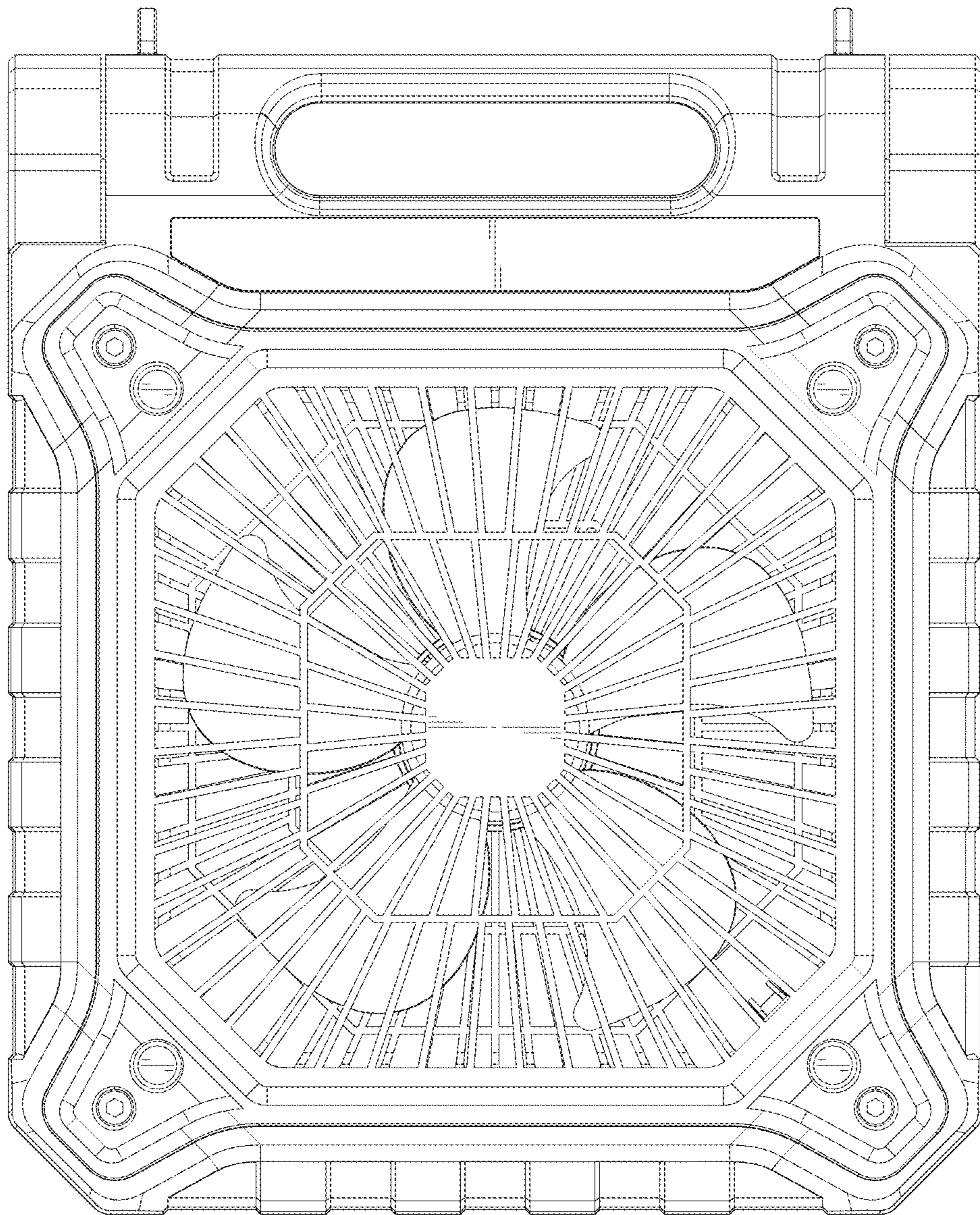


FIG. 3

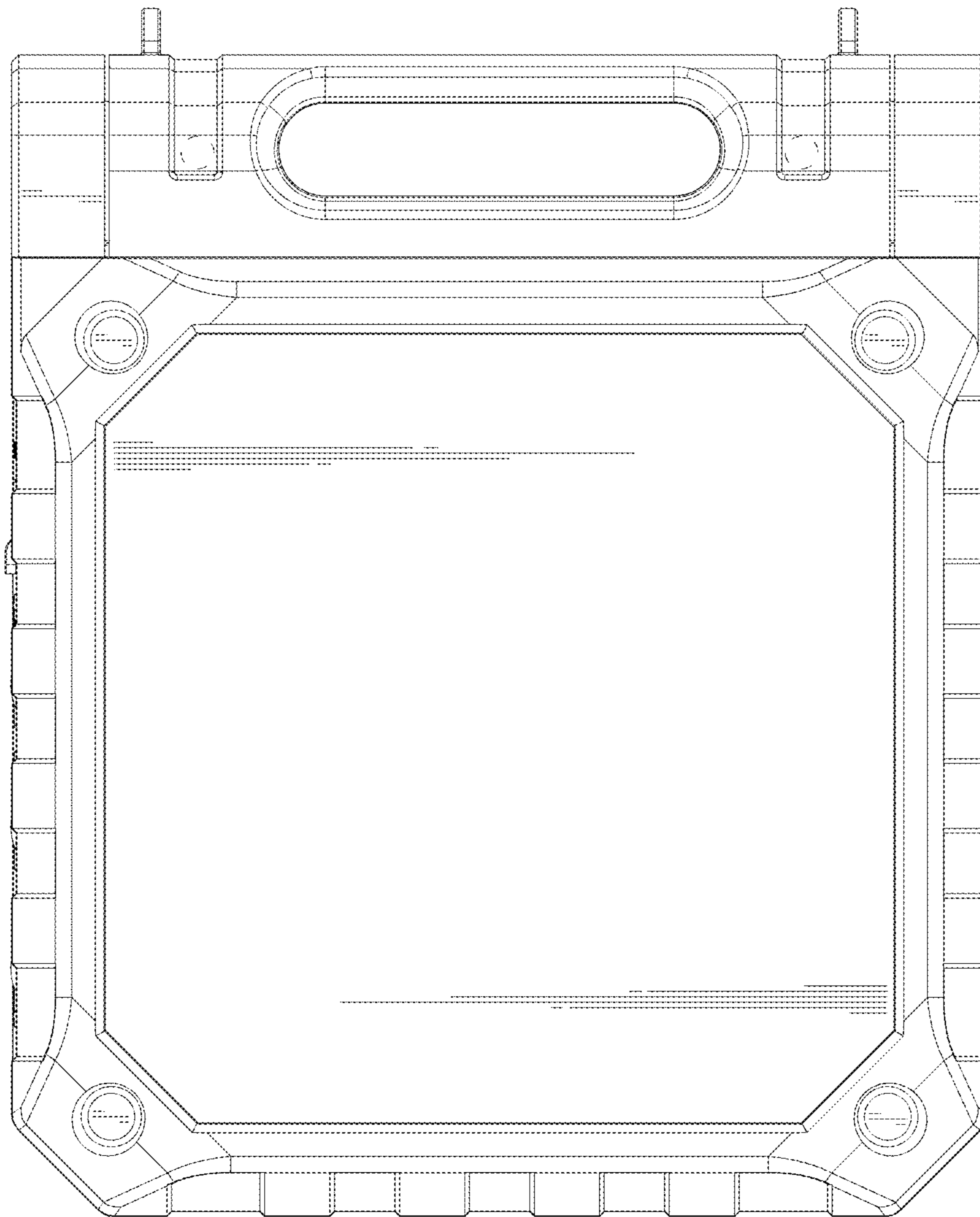


FIG. 4

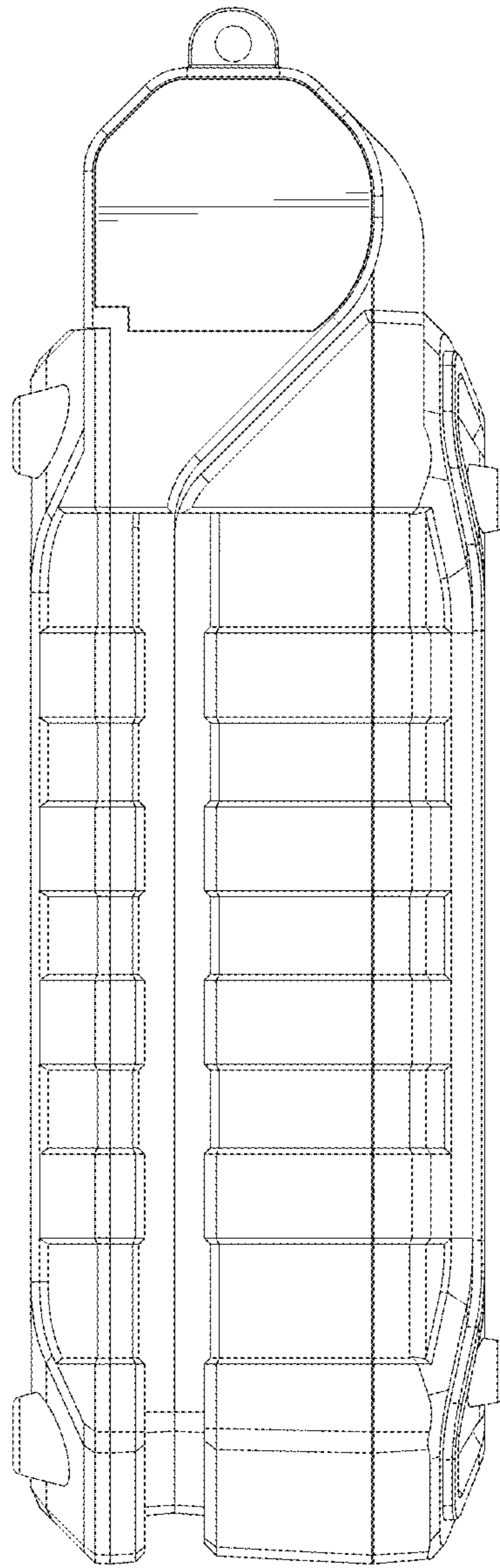


FIG.5

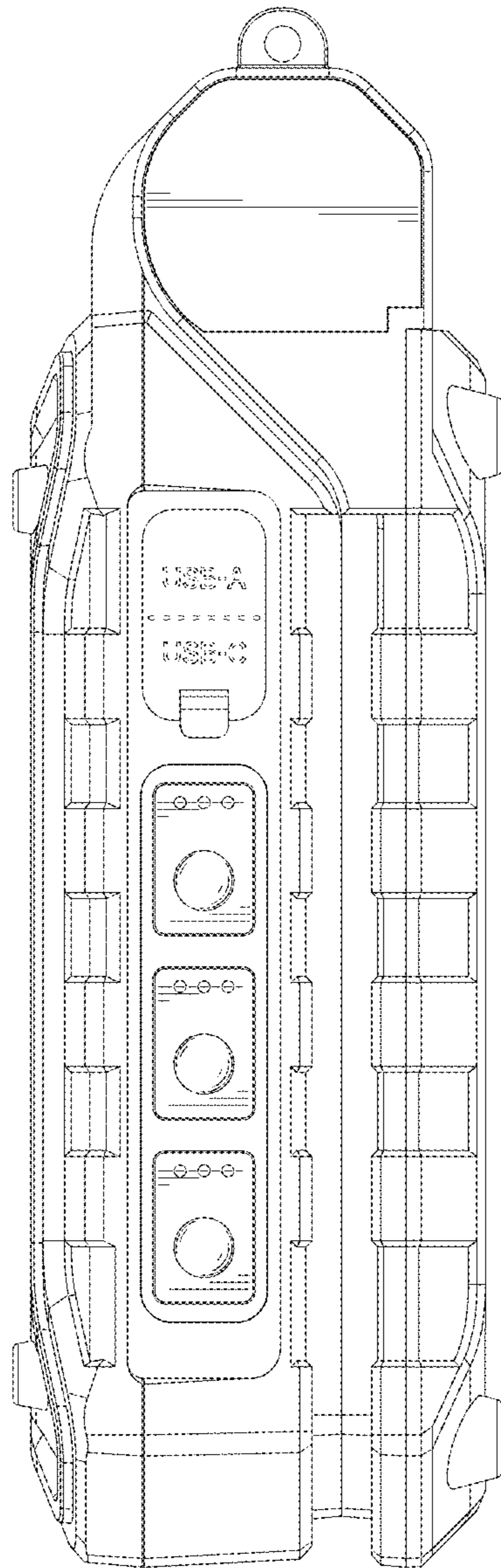


FIG.6

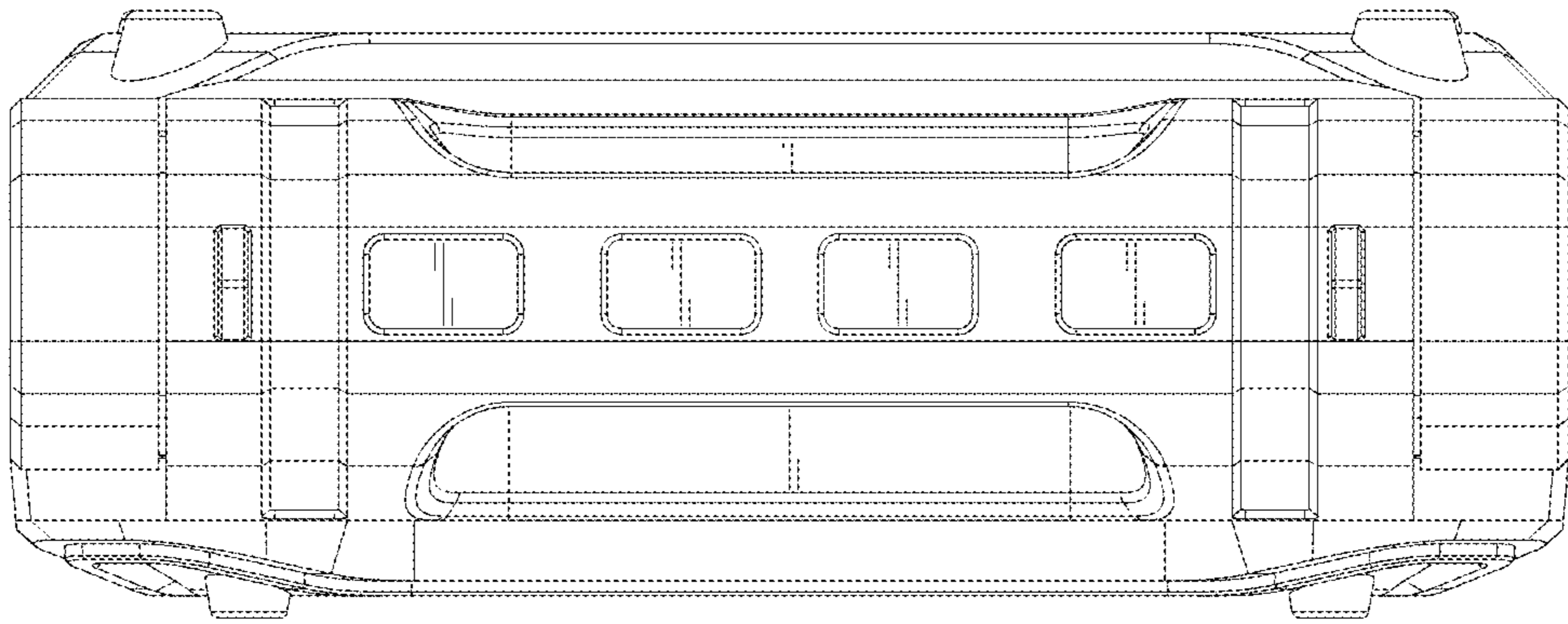


FIG. 7

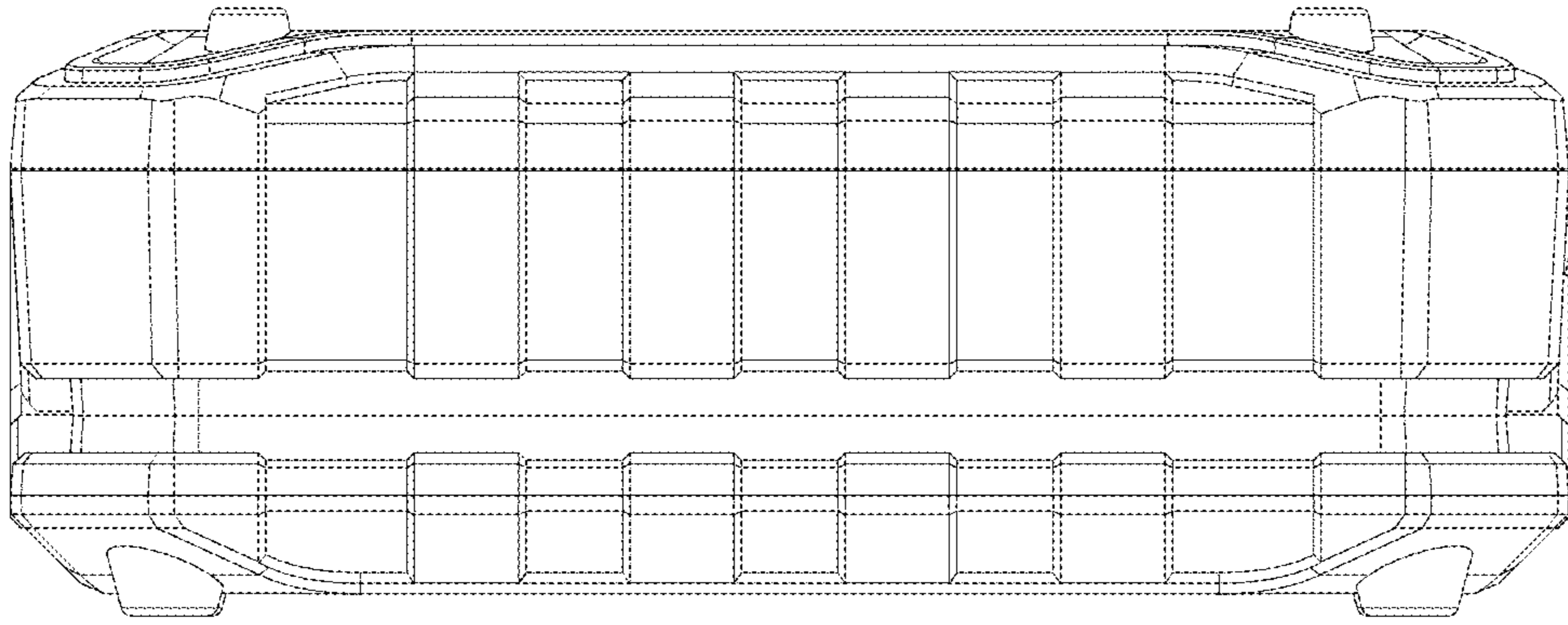


FIG.8

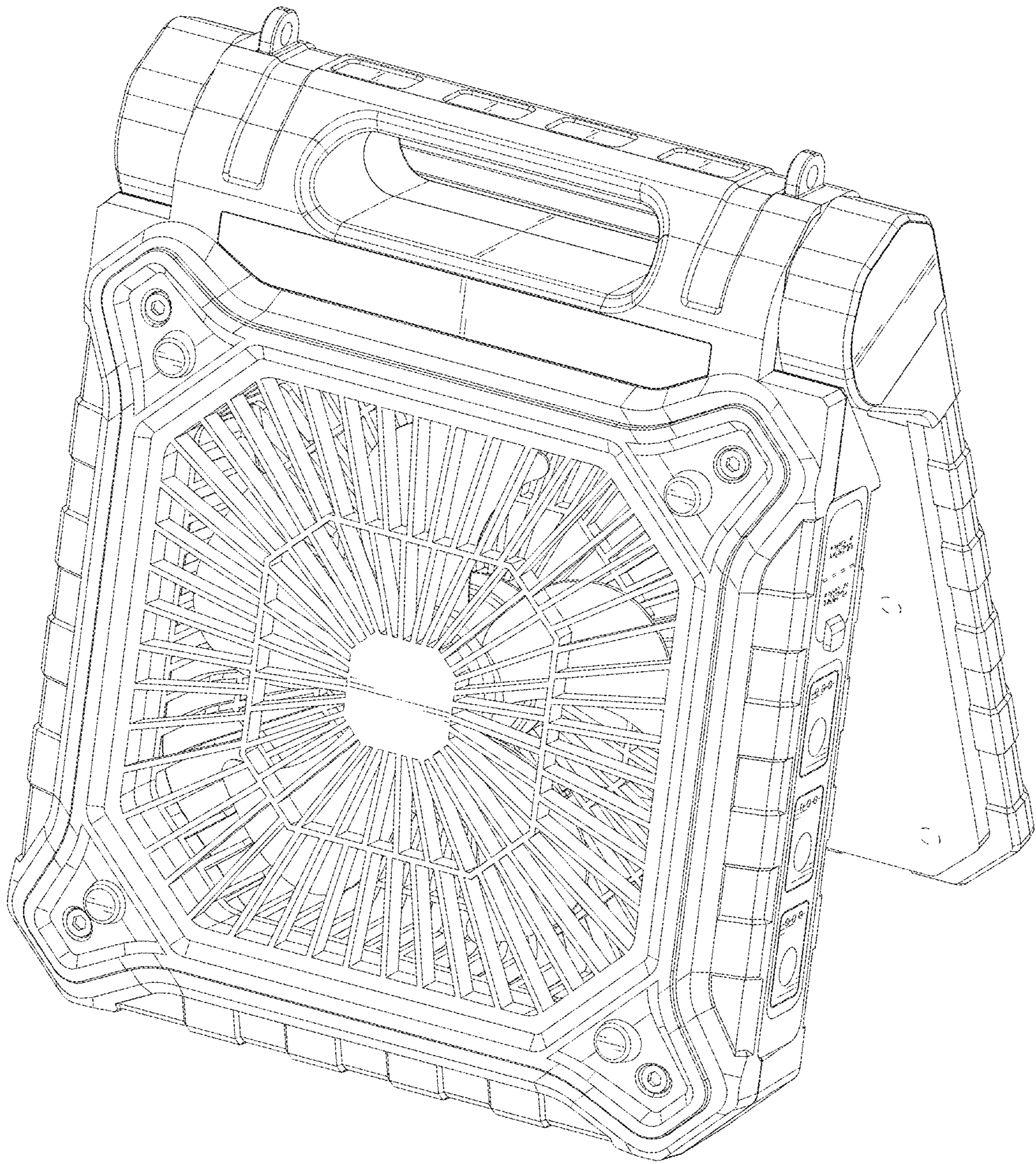


FIG. 9