



US00D988495S

(12) **United States Design Patent**
Cheng

(10) **Patent No.:** **US D988,495 S**

(45) **Date of Patent:** **** Jun. 6, 2023**

- (54) **FAN**
- (71) Applicant: **FOSHAN RUIDENG LIGHTING CO., LTD**, Foshan (CN)
- (72) Inventor: **Huashi Cheng**, Mingguang (CN)
- (73) Assignee: **FOSHAN RUIDENG LIGHTING CO., LTD**, Foshan (CN)

- (**) Term: **15 Years**
- (21) Appl. No.: **29/859,145**
- (22) Filed: **Nov. 8, 2022**

(30) **Foreign Application Priority Data**

Oct. 26, 2022 (CN) 202230707194.4

- (51) **LOC (14) Cl.** **23-04**
- (52) **U.S. Cl.**
USPC **D23/377**
- (58) **Field of Classification Search**
USPC D23/370, 377, 385, 411, 413; D26/59
CPC F04D 25/088; F04D 29/34
See application file for complete search history.

(56) **References Cited**

U.S. PATENT DOCUMENTS

- D784,510 S 4/2017 Badarello et al.
- D785,155 S * 4/2017 Wang D23/377
- D799,668 S * 10/2017 Wang D23/385
- D804,010 S 11/2017 Guthrie
- D812,214 S * 3/2018 Townsell D23/413

- D813,370 S * 3/2018 Li D23/377
- D816,826 S * 5/2018 Johnson D23/385
- D860,430 S * 9/2019 Orozco D26/59
- D860,434 S * 9/2019 Orozco D23/414
- D900,296 S * 10/2020 Johnson D23/377
- D915,577 S * 4/2021 Pickett D23/377
- D936,812 S * 11/2021 Williams D23/377
- 2017/0284405 A1 * 10/2017 Eggers F04D 25/088

* cited by examiner

Primary Examiner — Janice Hallmark

(74) *Attorney, Agent, or Firm* — Daniel M. Cohn;
Howard M. Cohn

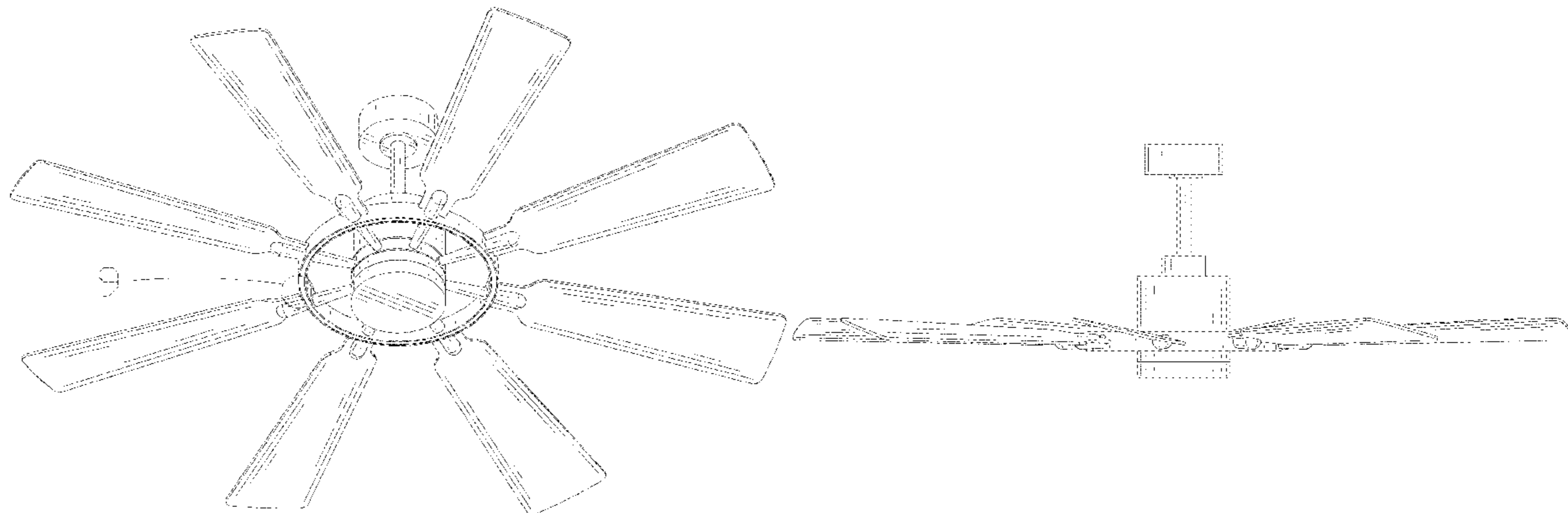
(57) **CLAIM**

The ornamental design for a fan, as shown and described.

DESCRIPTION

FIG. 1 is a perspective view of a fan showing my new design;
 FIG. 2 is another perspective view thereof;
 FIG. 3 is a front elevational view thereof;
 FIG. 4 is a rear elevational view thereof;
 FIG. 5 is a left side elevational view thereof;
 FIG. 6 is a right side elevational view thereof;
 FIG. 7 is a top plan view thereof;
 FIG. 8 is a bottom plan view thereof; and,
 FIG. 9 is an enlarged view of portion 9 shown in FIG. 2.
 The dash-dash broken lines in the drawings depict portions of the fan that form no part of the claimed design. The dot-dash broken lines represent boundaries of the enlarged portion and form no part of the claimed design.

1 Claim, 9 Drawing Sheets



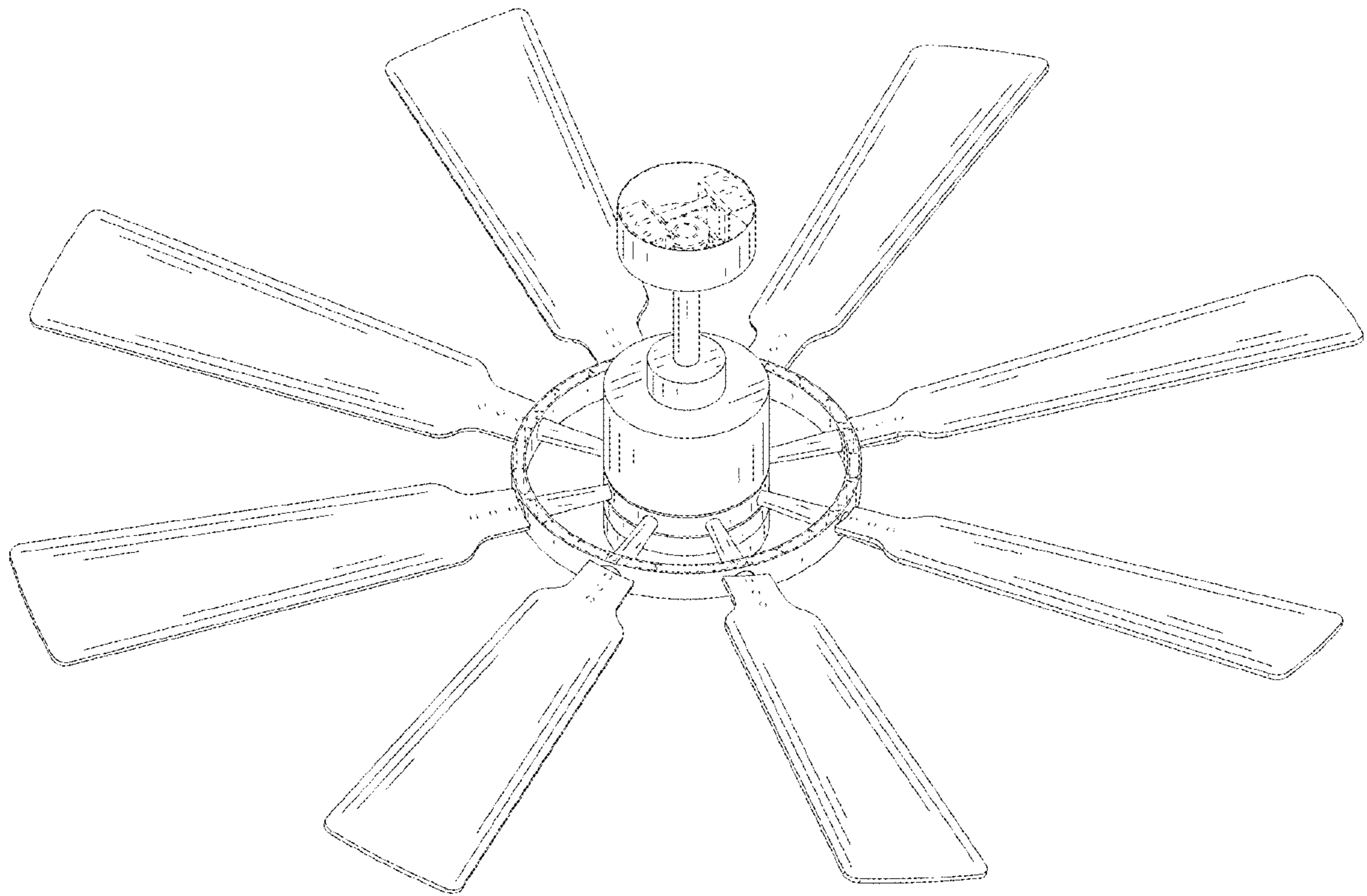


FIG. 1

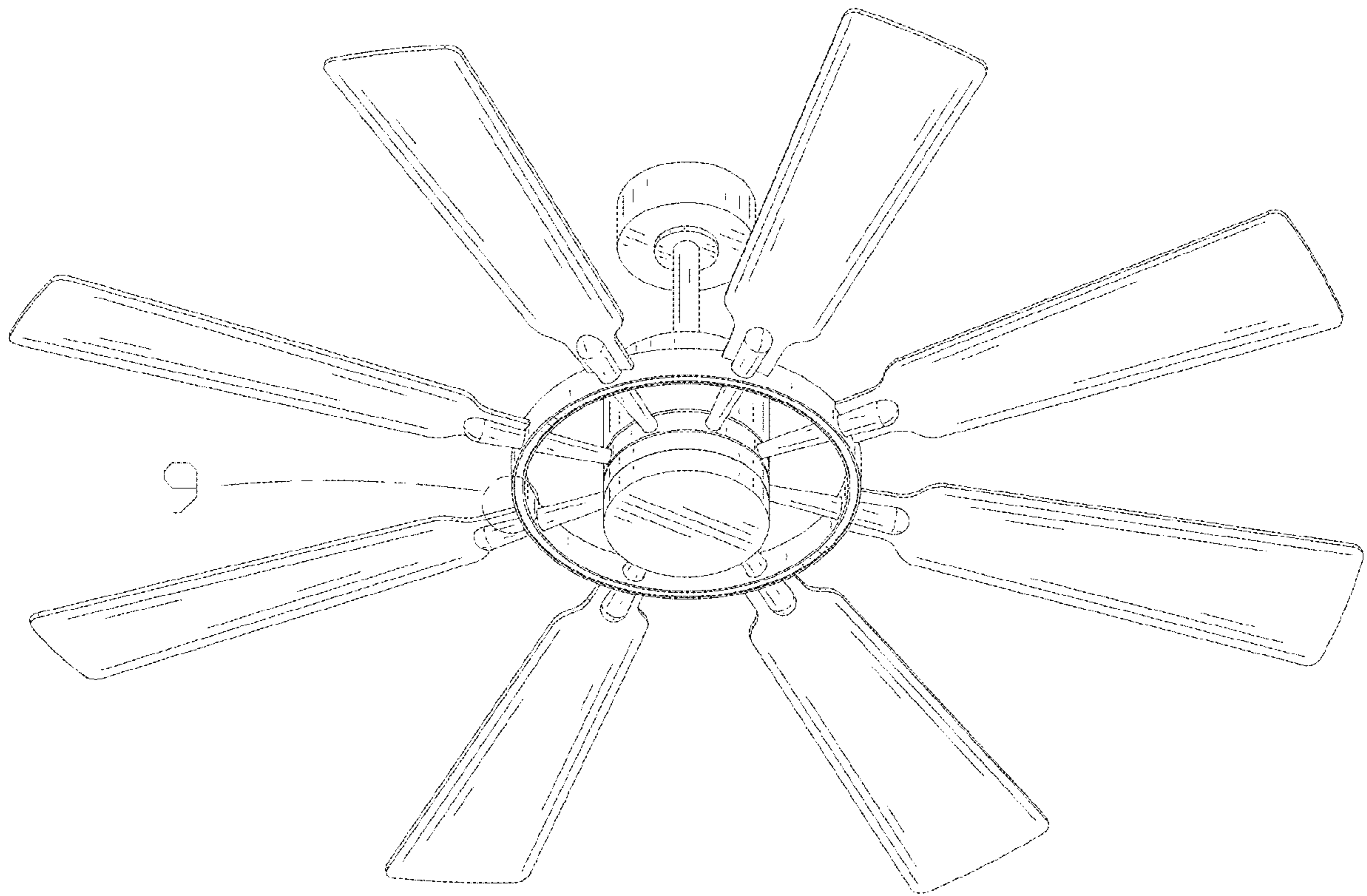


FIG. 2

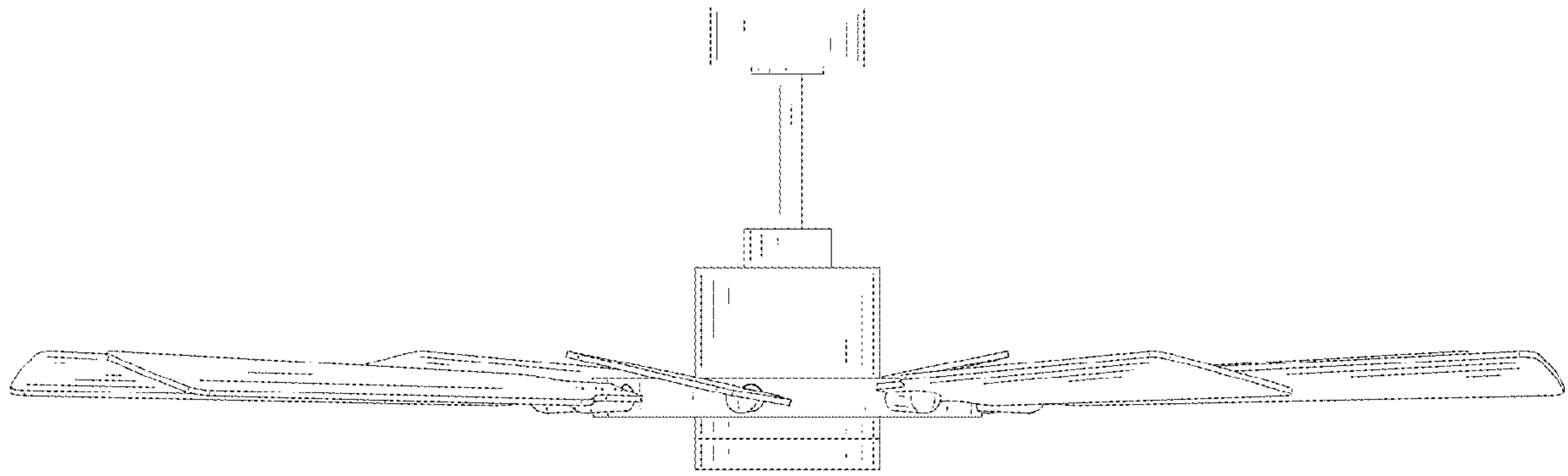


FIG. 3

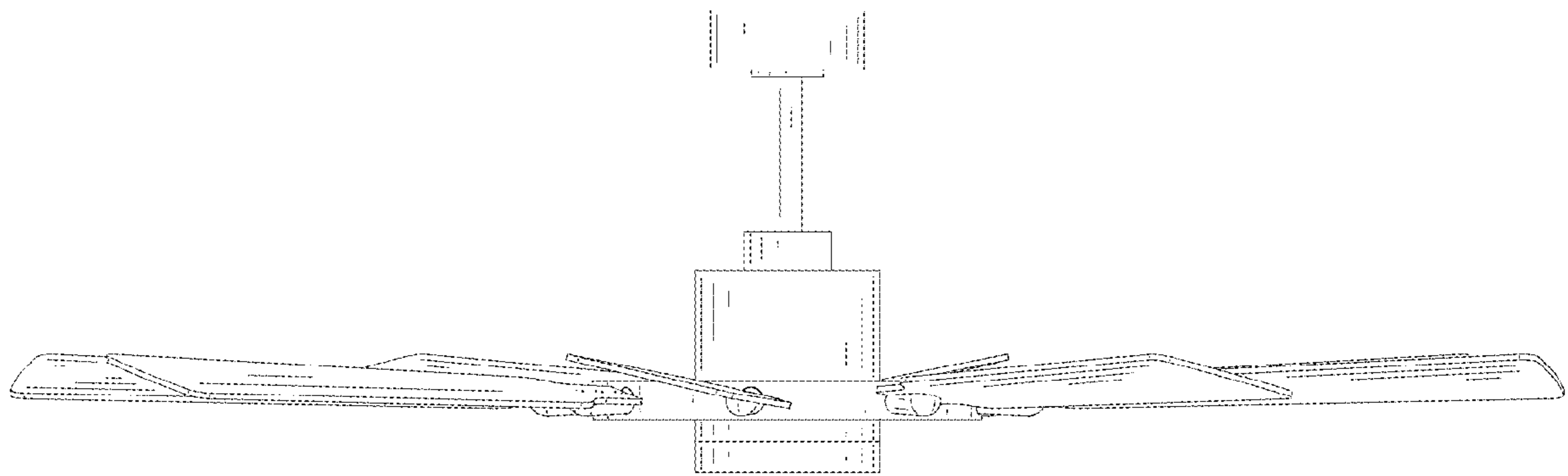


FIG. 4

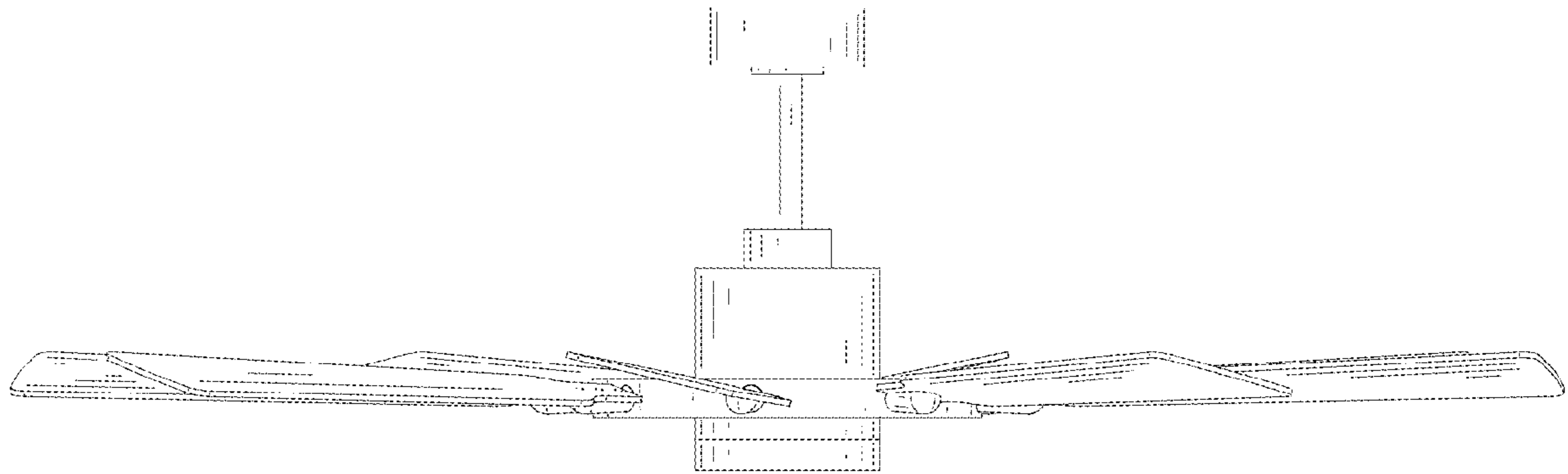


FIG. 5

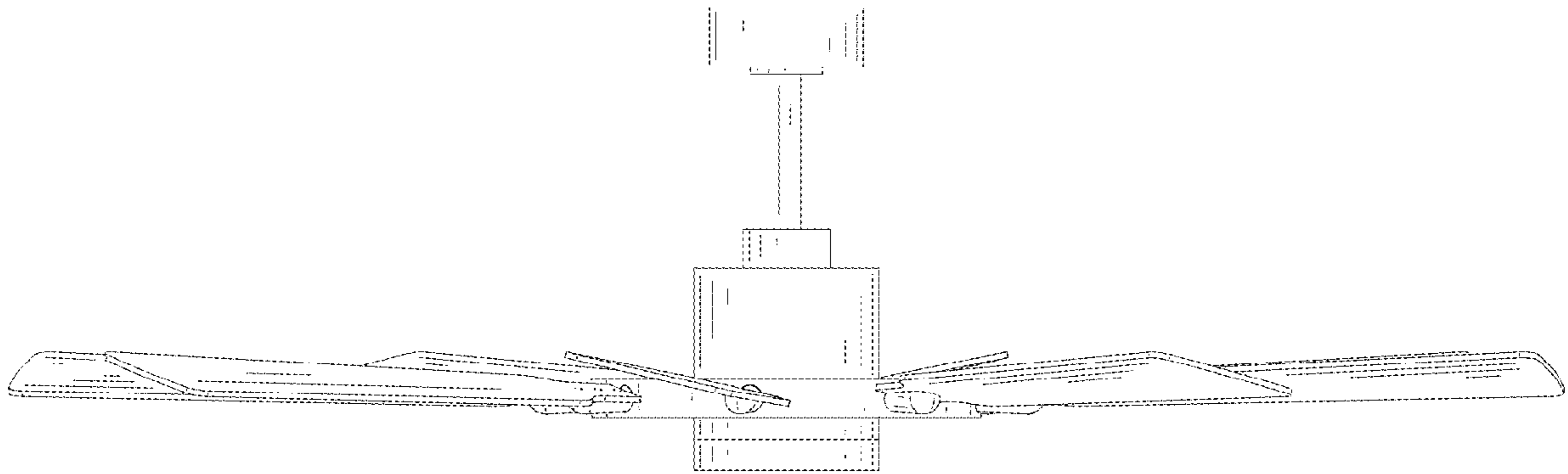


FIG. 6

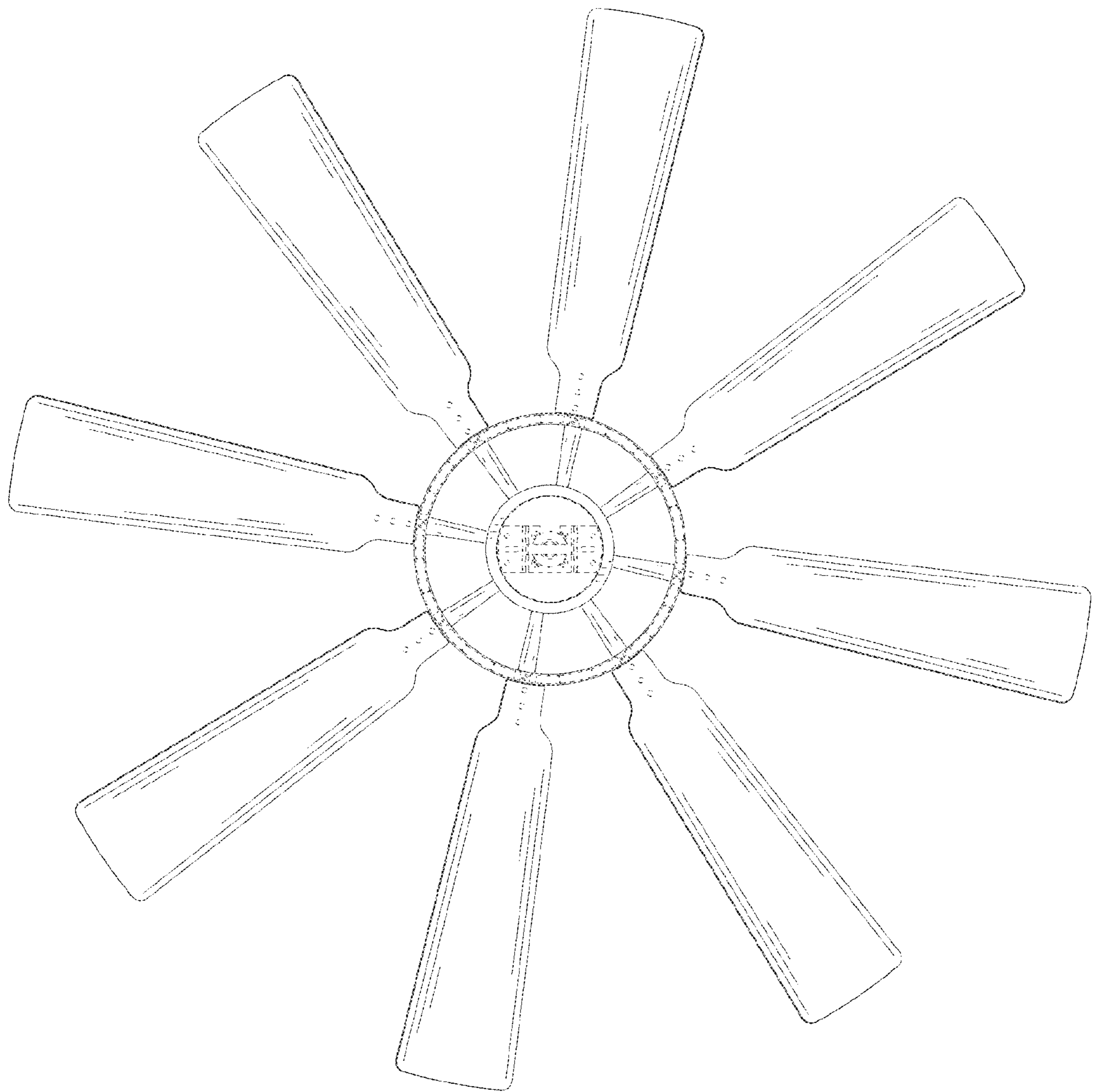


FIG. 7

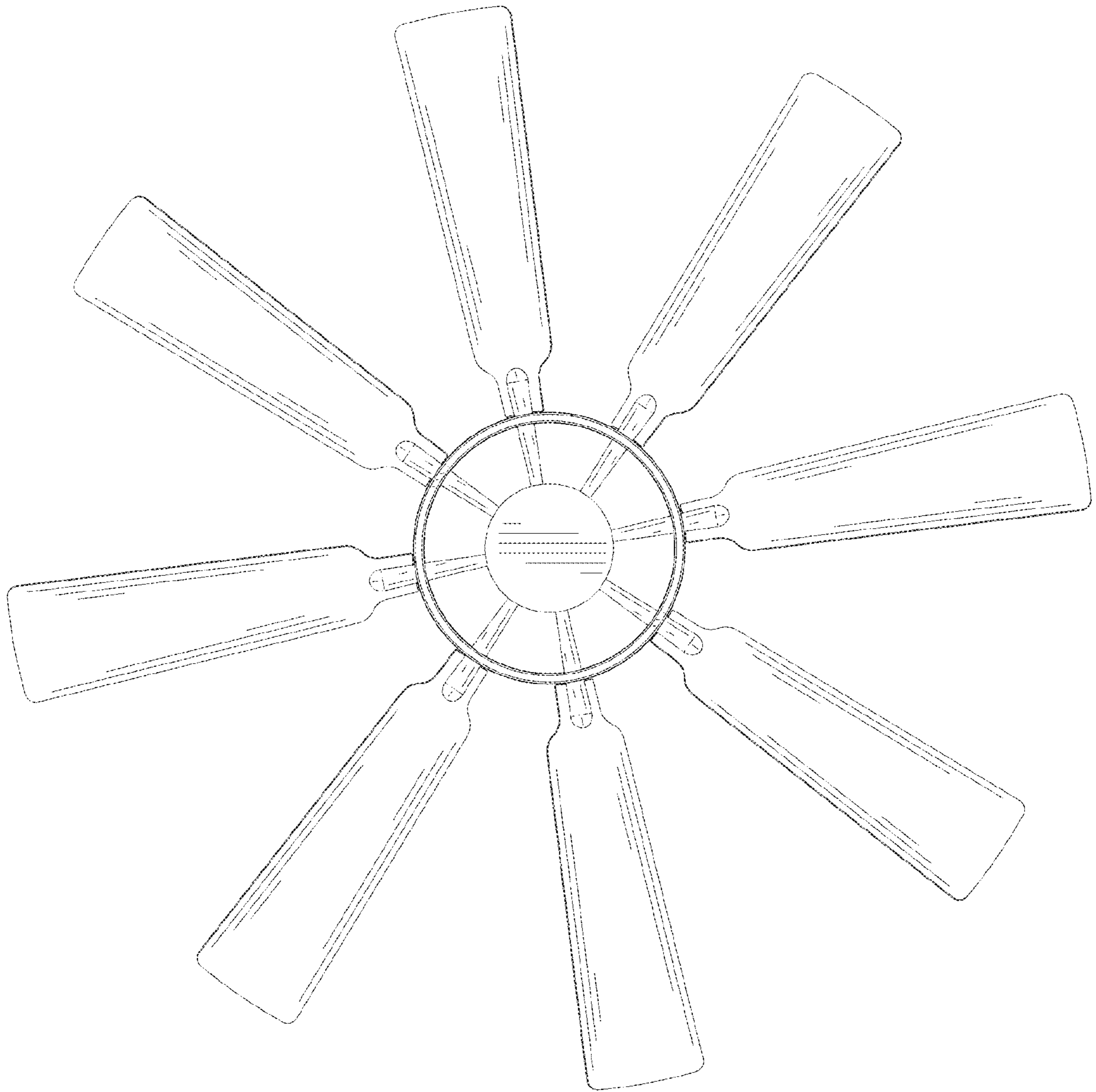


FIG. 8

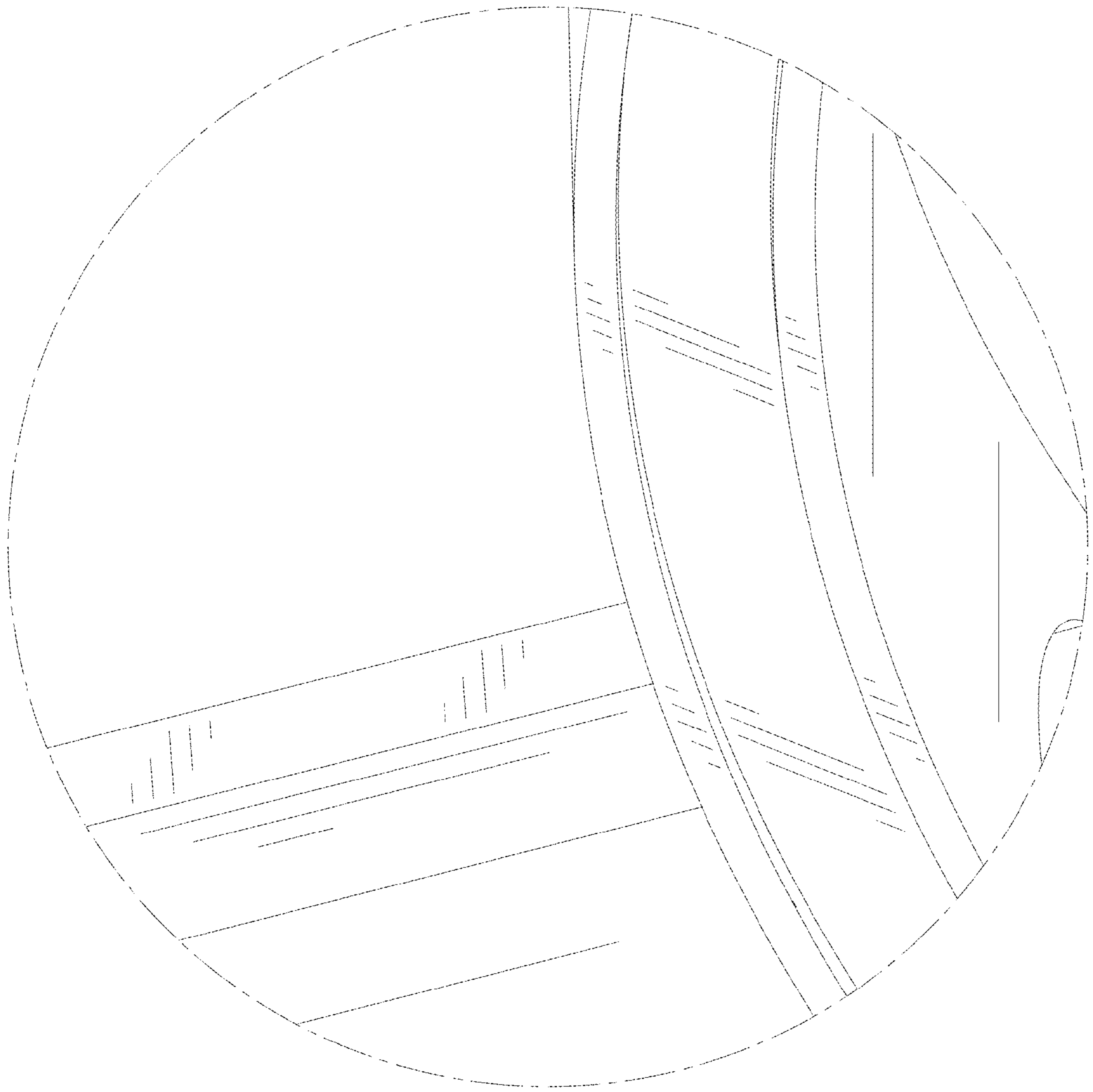


FIG. 9