



US00D988494S

(12) **United States Design Patent** (10) **Patent No.:** **US D988,494 S**
Pan (45) **Date of Patent:** **** Jun. 6, 2023**

(54) **CEILING FAN**
(71) Applicant: **Fangming Pan**, Ganzhou (CN)
(72) Inventor: **Fangming Pan**, Ganzhou (CN)
(**) Term: **15 Years**
(21) Appl. No.: **29/863,907**
(22) Filed: **Dec. 23, 2022**
(51) **LOC (14) Cl.** **23-04**
(52) **U.S. Cl.**
USPC **D23/377**
(58) **Field of Classification Search**
USPC D23/370, 377, 379, 382, 385, 413-414;
D26/59
CPC F04D 25/088; F04D 29/38; F04D 29/384;
F04D 29/386; F21V 33/0096
See application file for complete search history.

(56) **References Cited**
U.S. PATENT DOCUMENTS
D535,011 S * 1/2007 Gajewski D23/379
D536,083 S * 1/2007 Gajewski D23/379
D671,203 S * 11/2012 Wang D26/59
D716,438 S * 10/2014 Liu D23/377
D721,430 S * 1/2015 Schulzman D23/413
D726,297 S * 4/2015 Liu D23/377
D800,291 S * 10/2017 Wang D23/385
D807,488 S 1/2018 McRoberts
D834,491 S * 11/2018 Zipszer D12/214
D855,789 S 8/2019 Haggar

D858,735 S * 9/2019 Wang D23/377
D886,979 S * 6/2020 Gorali D23/377
D933,810 S * 10/2021 Li D23/413
D940,847 S * 1/2022 Wang D23/377
D981,548 S * 3/2023 Pan D23/377
2007/0104583 A1* 5/2007 Gajewski F04D 29/005
416/21 OR

* cited by examiner

Primary Examiner — Sharon S Oum
(74) *Attorney, Agent, or Firm* — Daniel M. Cohn;
Howard M. Cohn

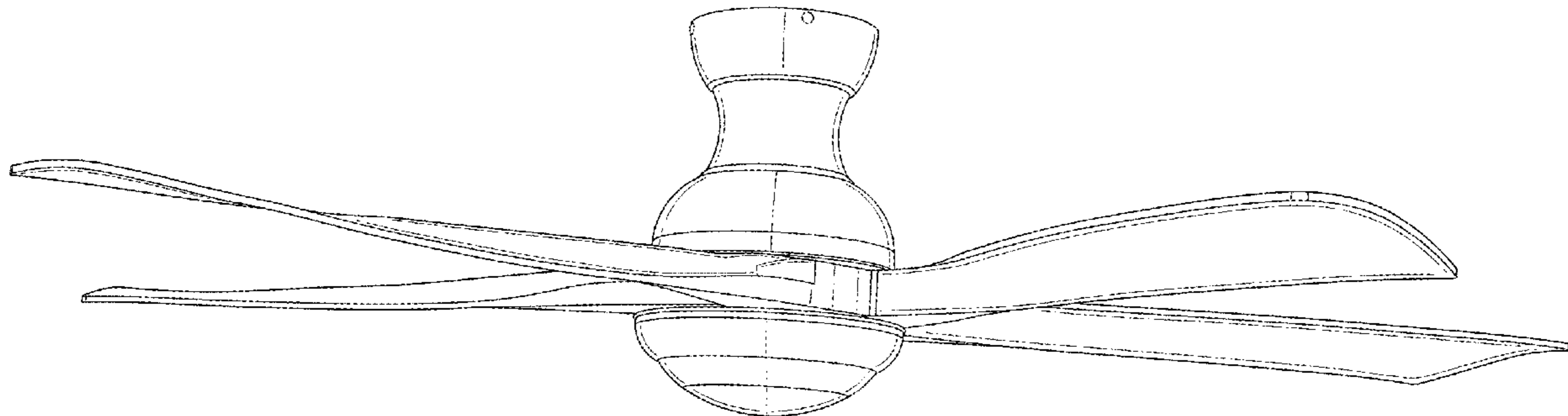
(57) **CLAIM**

The ornamental design for a ceiling fan, as shown and described.

DESCRIPTION

FIG. 1 is a perspective view of a ceiling fan showing my new design;
FIG. 2 is a front view thereof;
FIG. 3 is a back view thereof;
FIG. 4 is a left view thereof;
FIG. 5 is a right view thereof;
FIG. 6 is a top plan view thereof;
FIG. 7 is a bottom plan view thereof; and,
FIG. 8 is another perspective view thereof.
The broken lines illustrate portions of the ceiling fan that form no part of the claimed design.

1 Claim, 8 Drawing Sheets



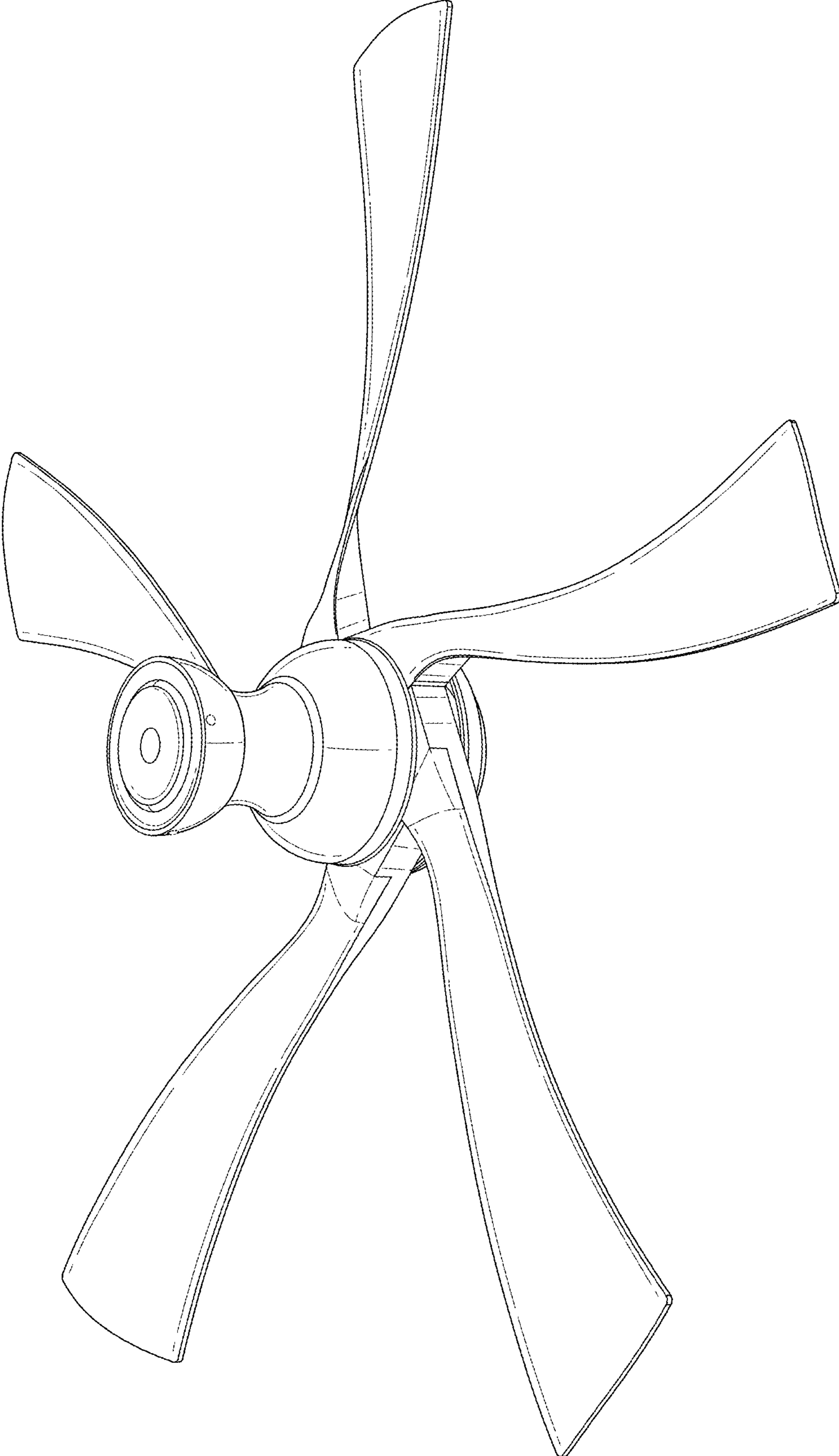


FIG. 1

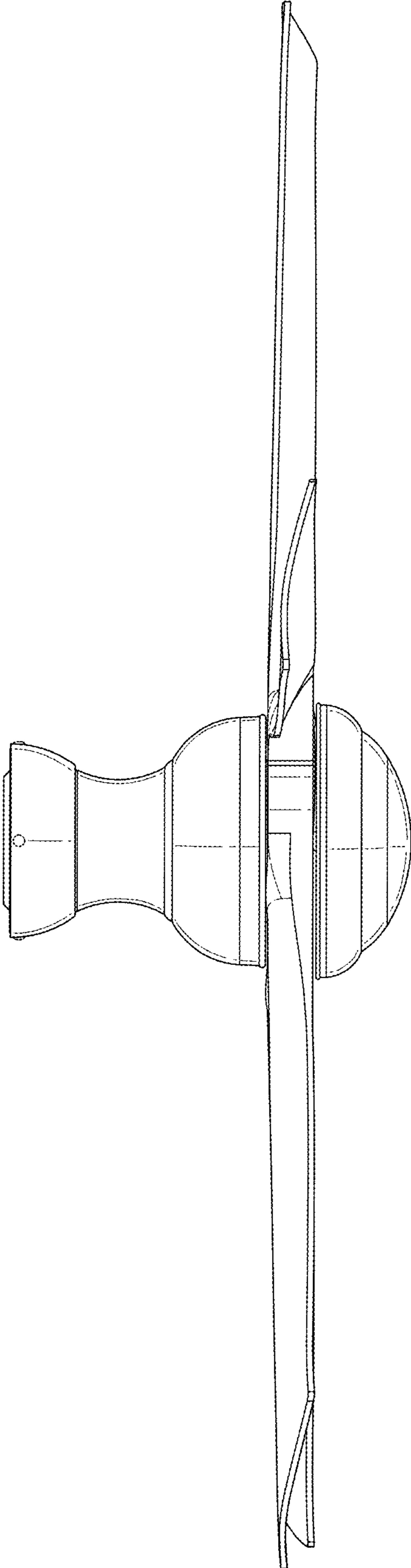


FIG.2

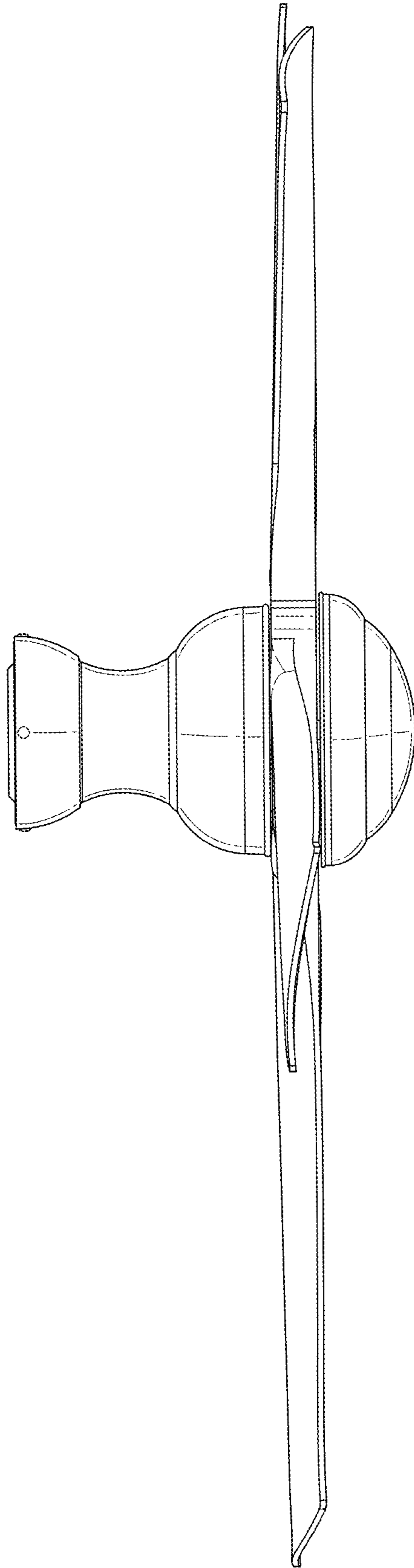


FIG.3

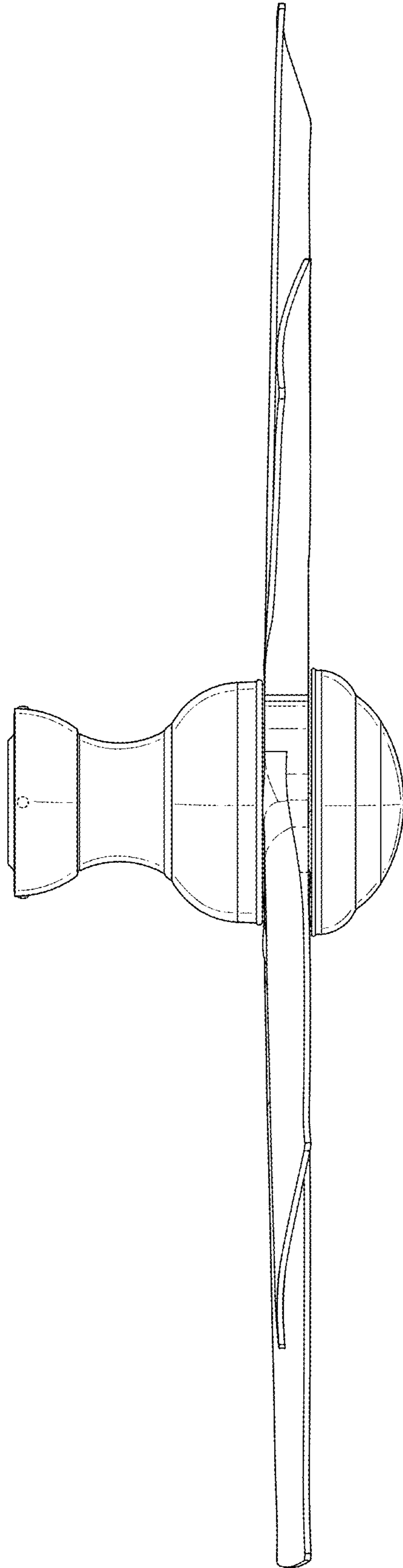


FIG.4

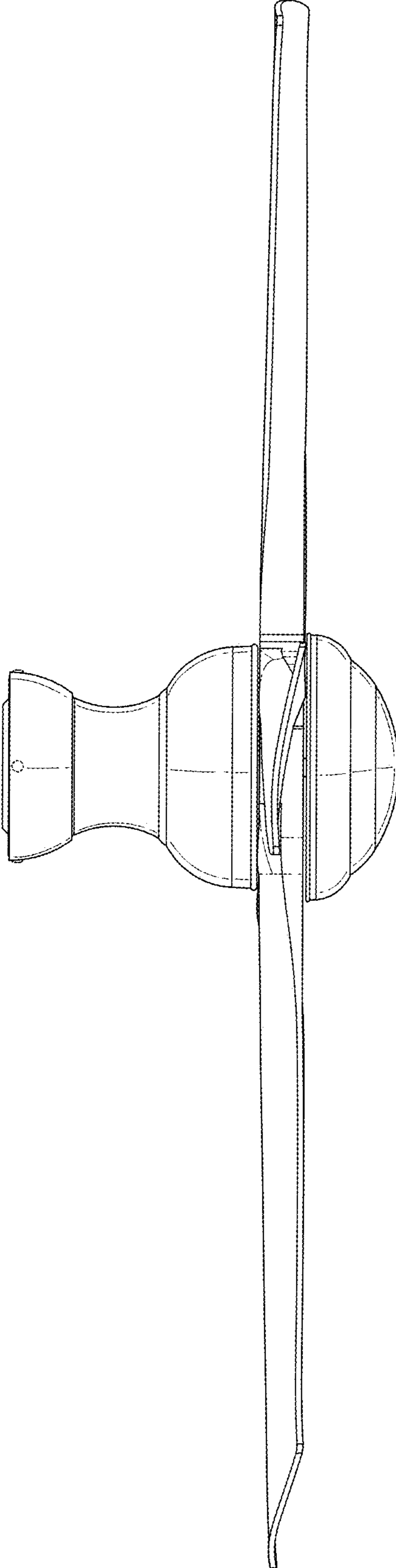


FIG.5

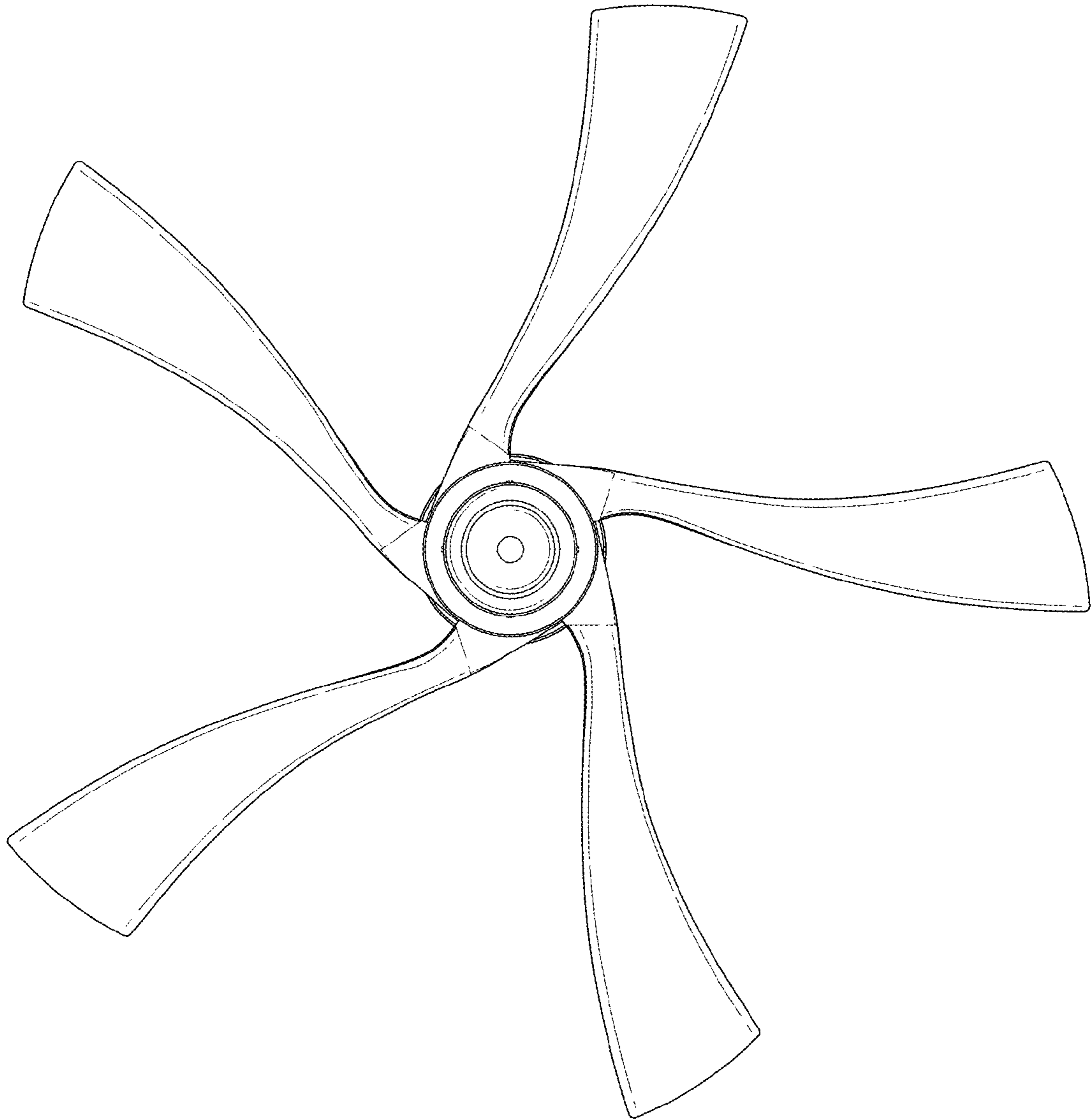


FIG.6

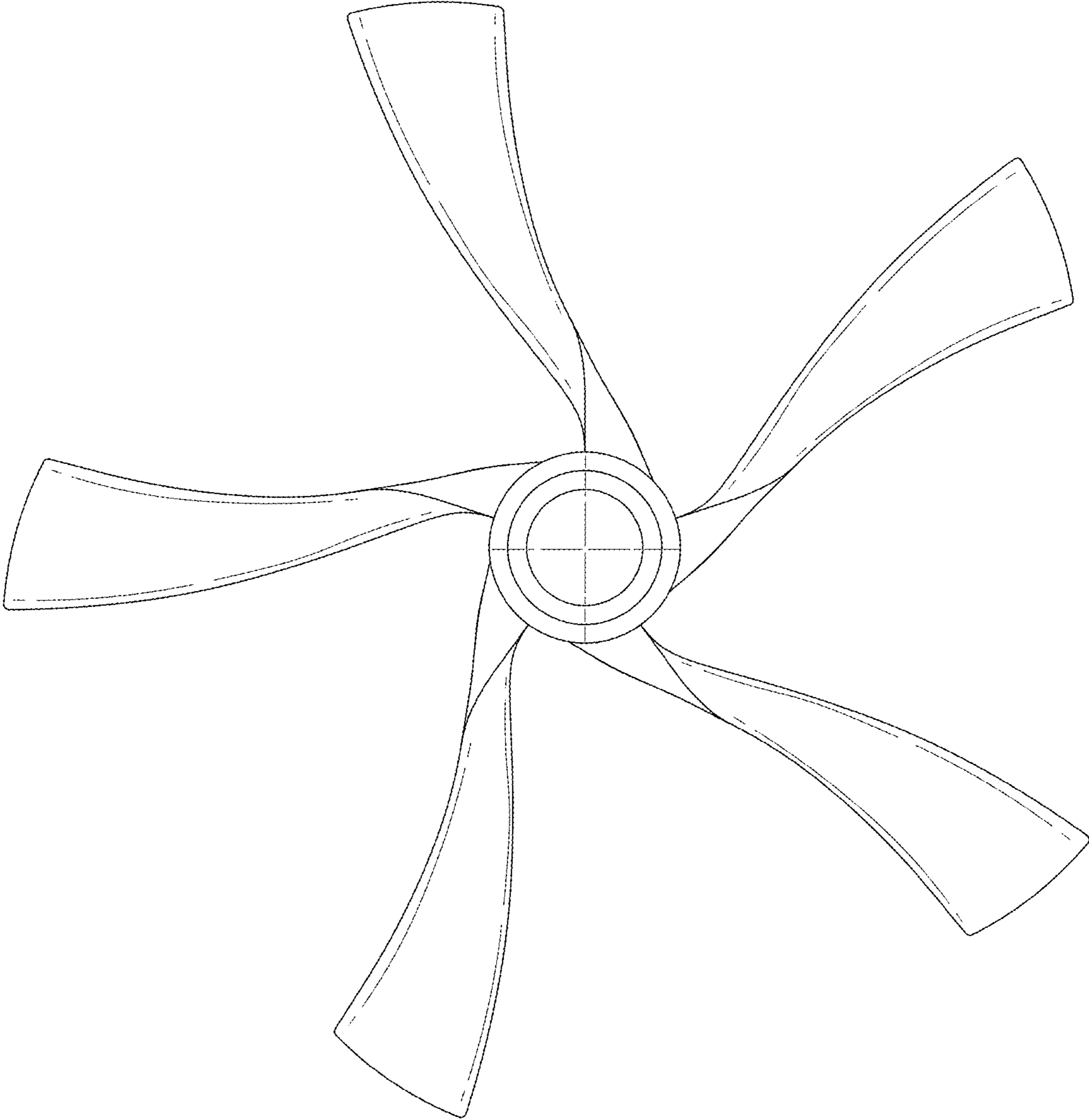


FIG. 7

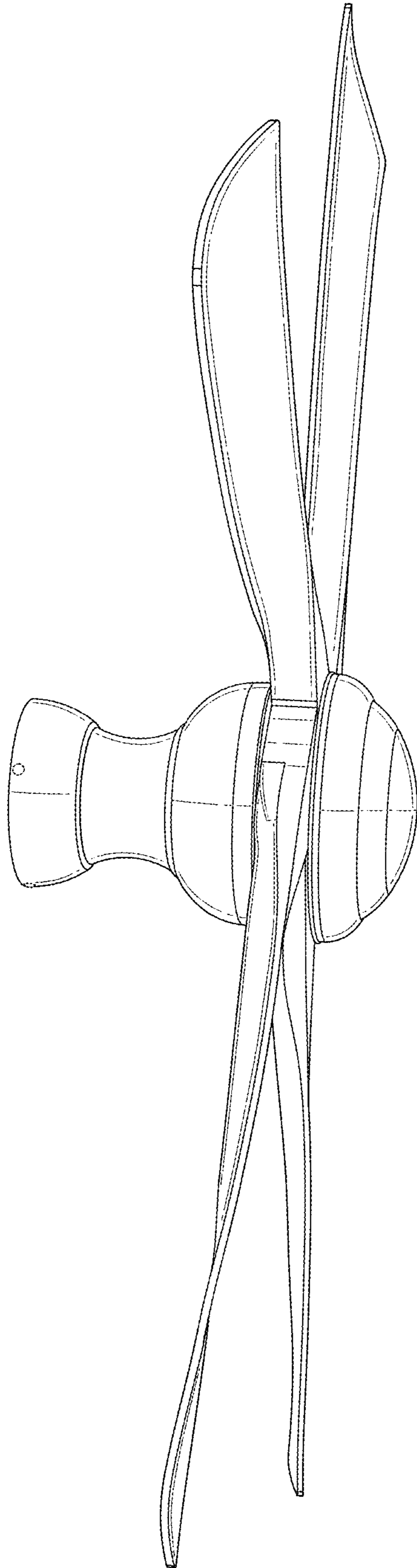


FIG.8