



US00D988493S

(12) **United States Design Patent** (10) **Patent No.:** **US D988,493 S**  
**Hu** (45) **Date of Patent:** **\*\* Jun. 6, 2023**

(54) **AROMATHERAPY MACHINE**

Y10S 261/88; Y10S 261/89; F24F 6/00;  
F24F 6/06; F24F 1/00; F24F 1/02; F24F  
1/022

(71) Applicant: **DONGGUAN SANZON SMART  
HOME PRODUCTS CO., LTD,**  
Guangdong (CN)

See application file for complete search history.

(72) Inventor: **Jinyu Hu,** Sichuan (CN)

(56) **References Cited**

(73) Assignee: **DONGGUAN SANZON SMART  
HOME PRODUCTS CO., LTD,**  
Dongguan (CN)

U.S. PATENT DOCUMENTS

(\*\*) Term: **15 Years**

D464,415 S \* 10/2002 Saunders ..... D23/364  
D634,417 S \* 3/2011 Abbondanzio ..... D23/366  
D634,832 S \* 3/2011 Abbondanzio ..... D23/366  
D724,191 S \* 3/2015 Yoo ..... D23/355  
D969,989 S \* 11/2022 Zheng ..... D23/366

(21) Appl. No.: **29/781,680**

\* cited by examiner

(22) Filed: **Apr. 30, 2021**

*Primary Examiner* — Gino Colan  
*Assistant Examiner* — David Obrien

(30) **Foreign Application Priority Data**

(57) **CLAIM**

Nov. 23, 2020 (CN) ..... 202030712125.3

The ornamental design for an aromatherapy machine, as shown and described.

(51) **LOC (14) Cl.** ..... **23-04**

**DESCRIPTION**

(52) **U.S. Cl.**  
USPC ..... **D23/366**

(58) **Field of Classification Search**  
USPC ..... D23/213, 314, 332–336, 341, 355–369,  
D23/370, 378; D26/26, 40, 46, 49, 97,  
D26/123, 124; D14/125, 188, 194, 195,  
D14/204, 221, 228, 240, 253, 348, 350,  
D14/358, 496; D21/332; D11/143, 146,  
D11/152, 153

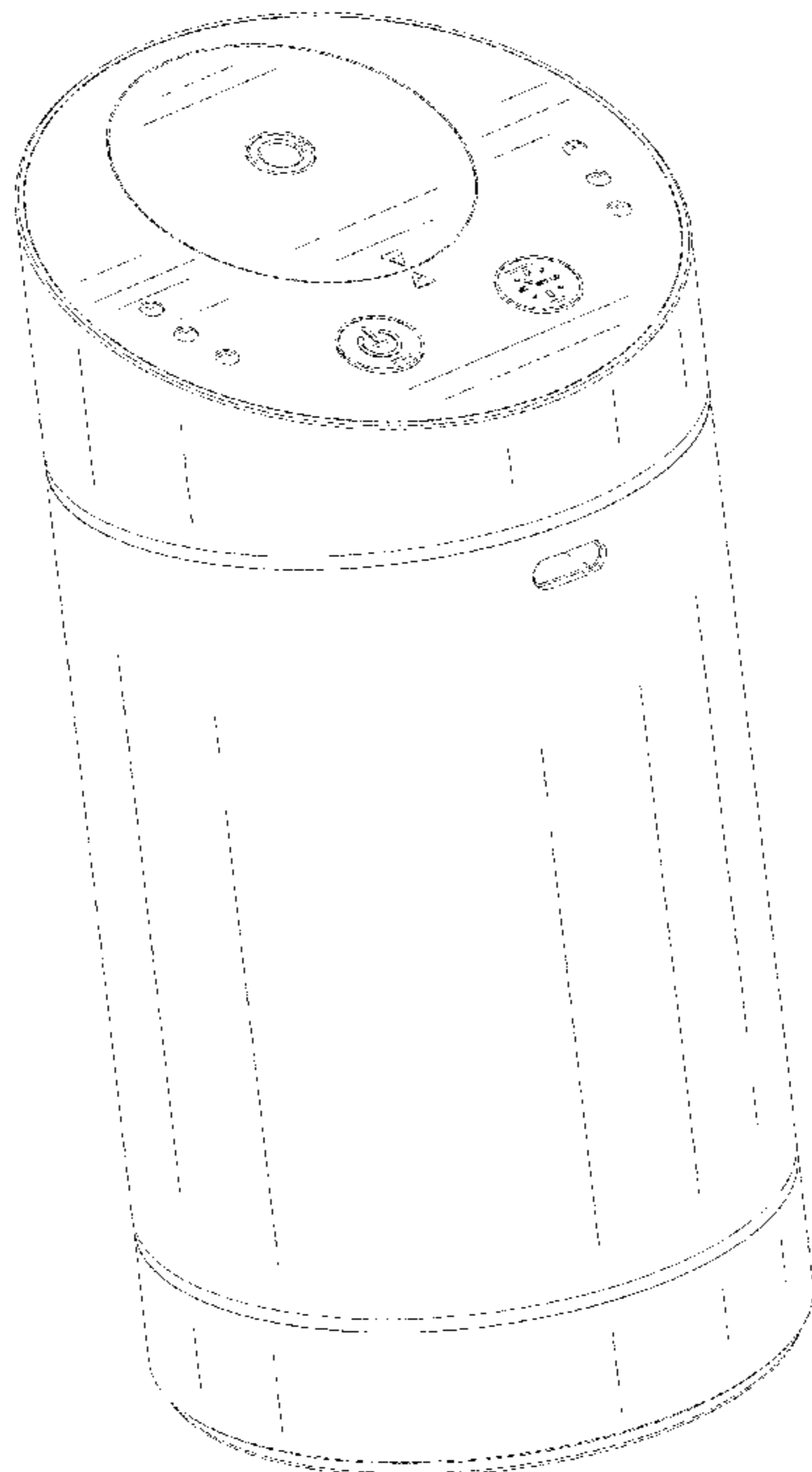
CPC ..... A61L 9/03; A61L 9/04; A61L 9/05; A61L  
9/12; A61L 9/14; A61L 9/012; A61L  
9/015; A61L 9/048; A61L 9/122; A61L  
9/127; A61L 9/205; A61L 2209/11; A61L  
2209/14; A61L 2209/133; Y10S 261/17;

FIG. 1 is a perspective view of an aromatherapy machine showing our new design;  
FIG. 2 is a front view thereof;  
FIG. 3 is a back view thereof;  
FIG. 4 is a left view thereof;  
FIG. 5 is a top view thereof; and,  
FIG. 6 is a bottom view thereof.

The right view is omitted as it is a mirror image of the left view.

The broken lines shown on the drawings depict portions of the aromatherapy machine that form no part of the claimed design.

**1 Claim, 6 Drawing Sheets**



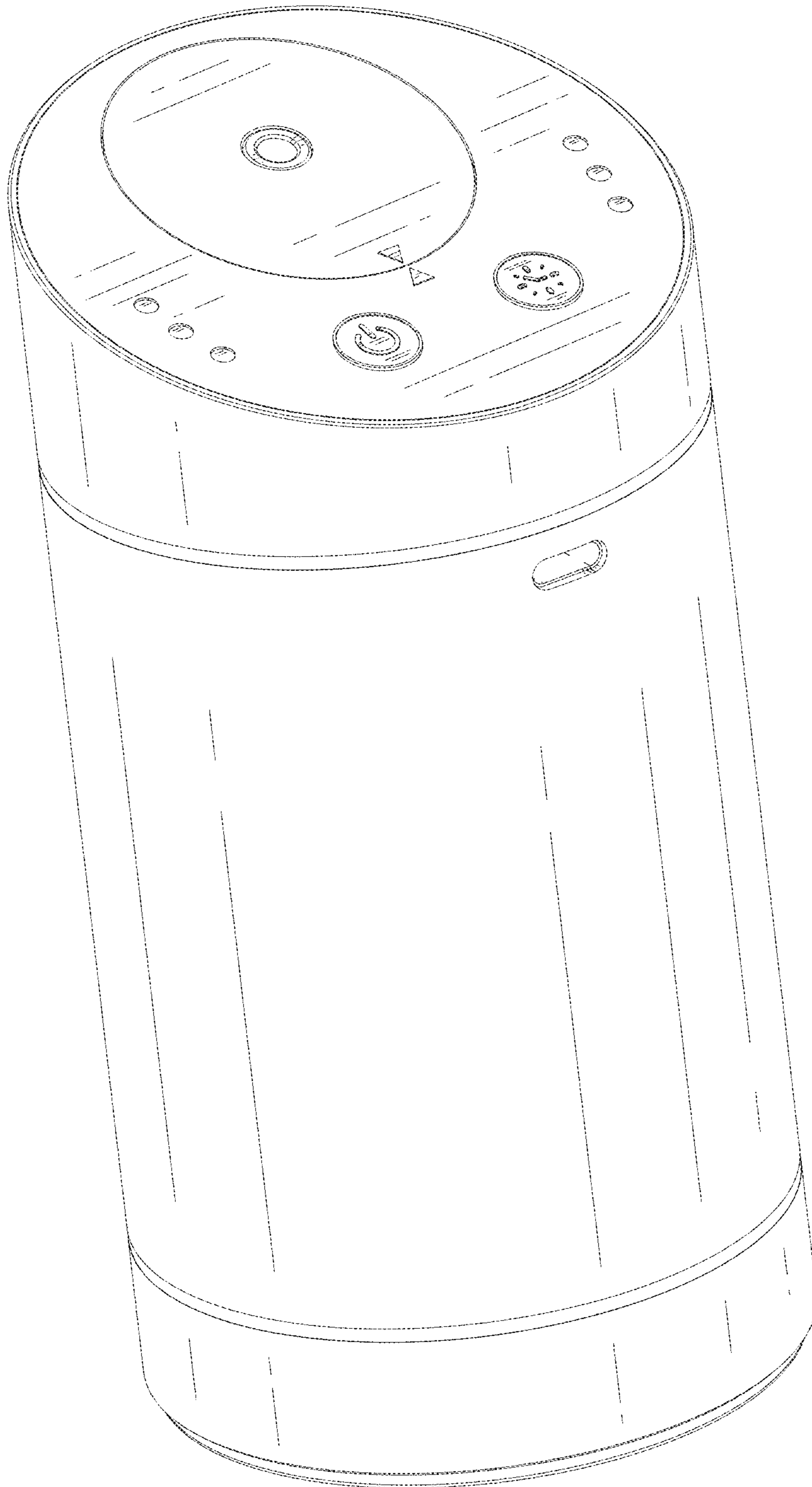


FIG. 1

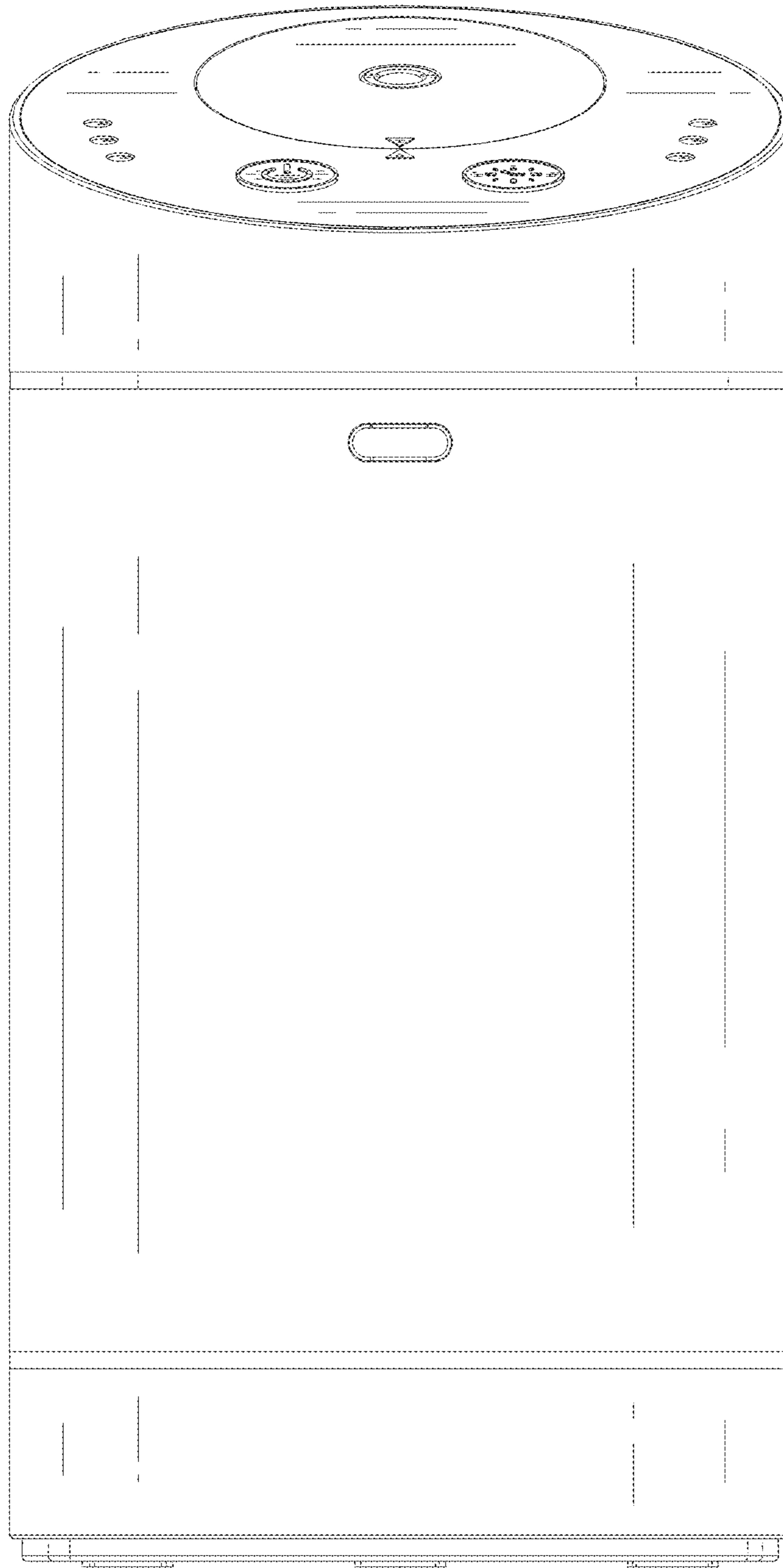


FIG. 2

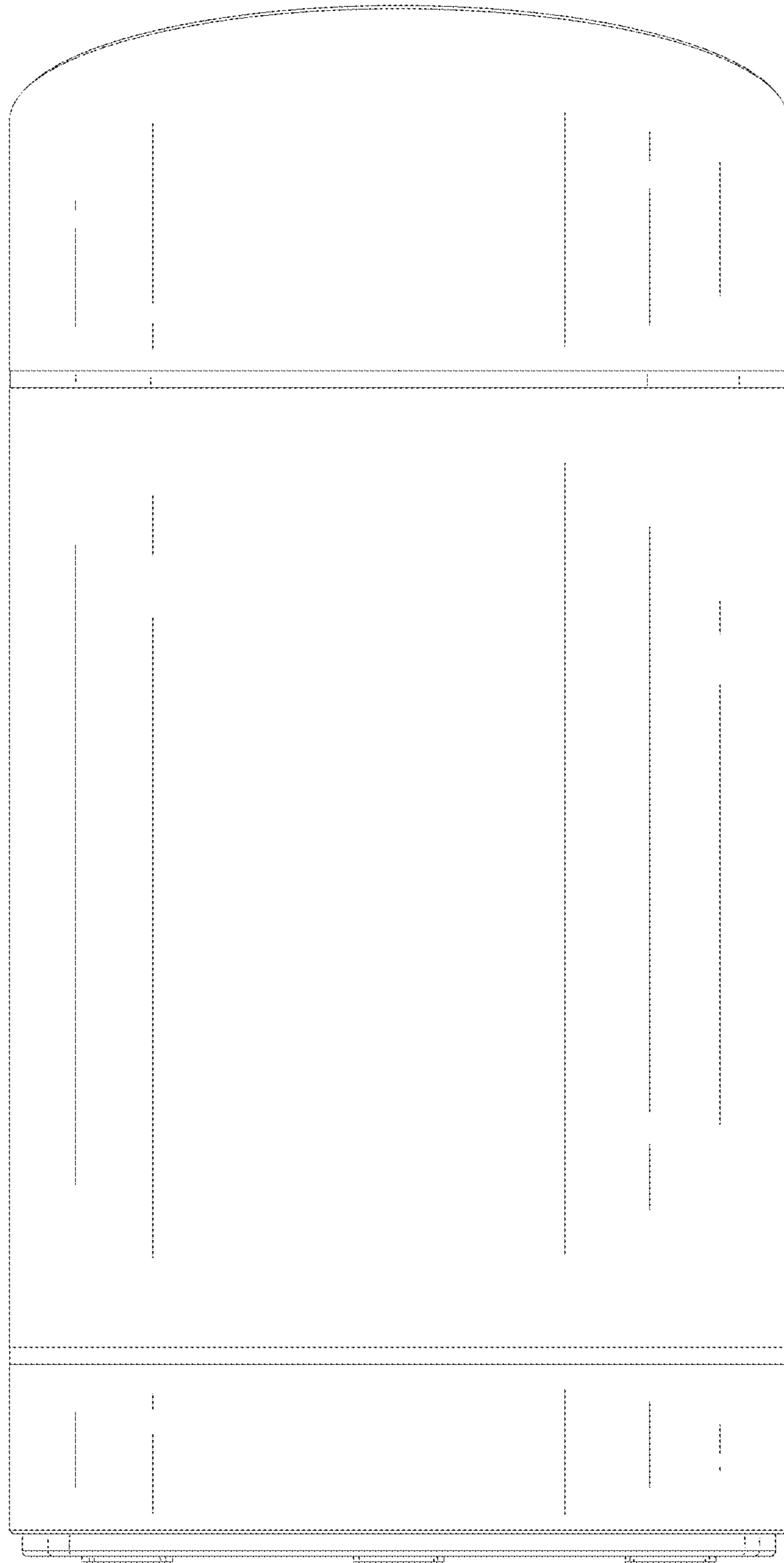


FIG. 3

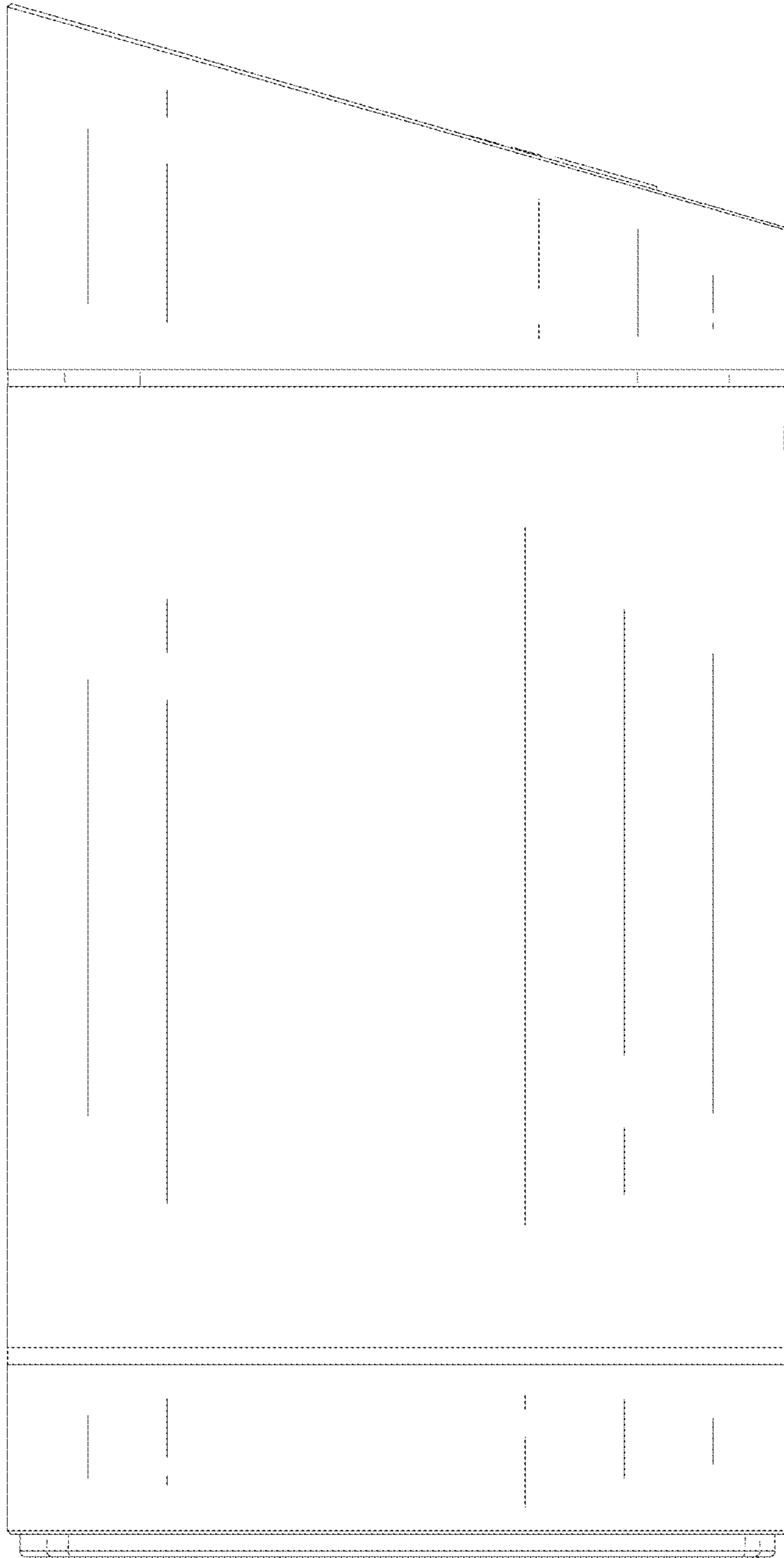


FIG. 4

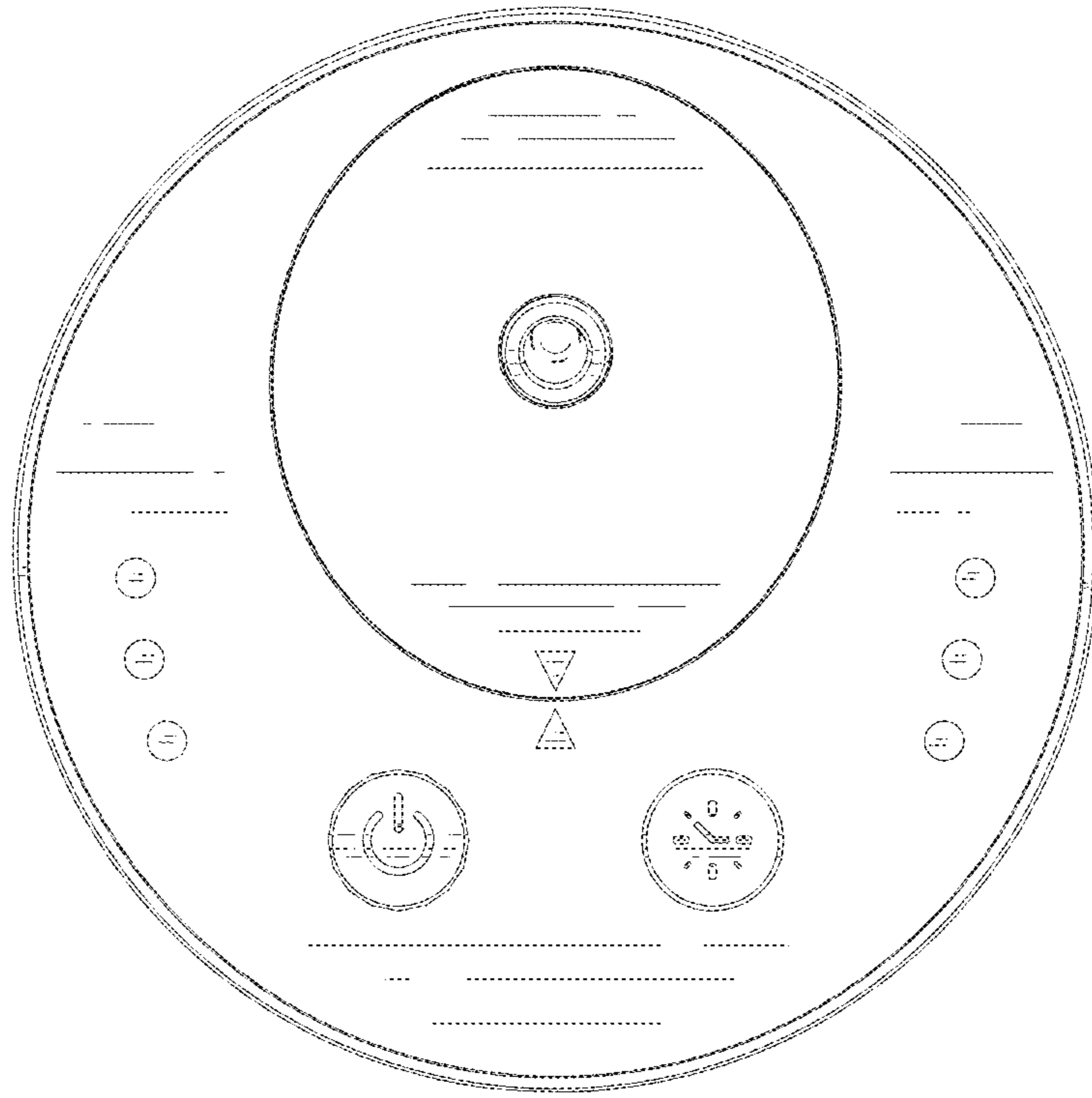


FIG. 5

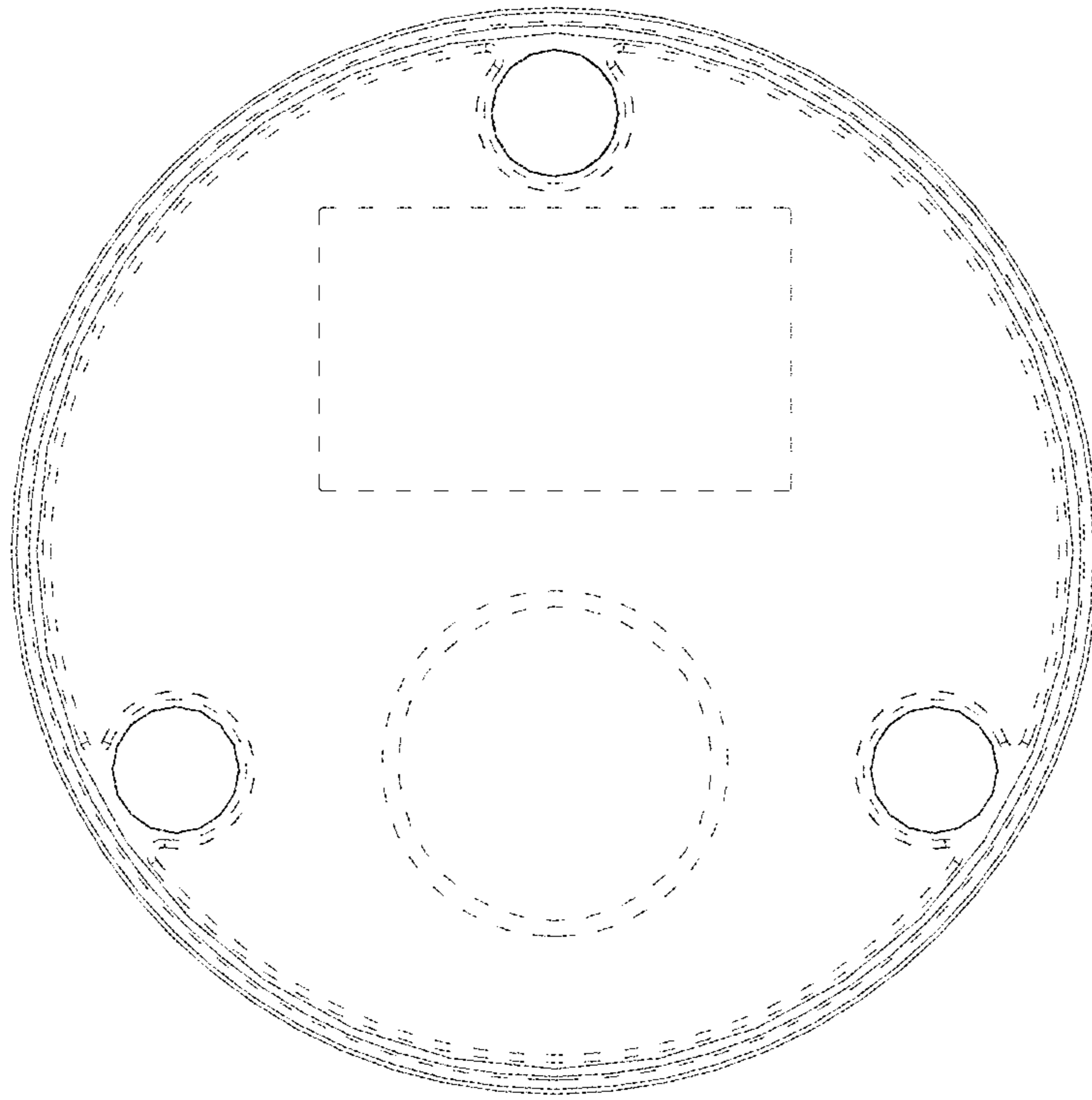


FIG. 6