



US00D988490S

(12) **United States Design Patent**
Bink et al.

(10) **Patent No.:** **US D988,490 S**

(45) **Date of Patent:** **** Jun. 6, 2023**

- (54) **AIR CLEANER FILTER**
- (71) Applicant: **Kohler Co.**, Kohler, WI (US)
- (72) Inventors: **Benjamin J. Bink**, St. Cloud, WI (US);
Shankar Mathur Seetharaman,
Sheboygan, WI (US); **Alexander A.**
Yosick, Howards Grove, WI (US);
Steven M. Stenz, Plymouth, WI (US);
Bruce M. Lefeber, Plymouth, WI (US)
- (73) Assignee: **KOHLER CO.**
- (**) Term: **15 Years**
- (21) Appl. No.: **29/766,045**
- (22) Filed: **Jan. 13, 2021**

- 5,556,441 A 9/1996 Courtwright et al.
- 5,674,302 A 10/1997 Nakayama et al.
- 5,679,122 A 10/1997 Moll et al.
- 5,800,581 A 9/1998 Gielink et al.
- 5,863,424 A 1/1999 Lee
- D412,567 S 8/1999 Ward et al.
- D416,317 S 11/1999 Bellil et al.
- 6,165,243 A 12/2000 Kawaguchi
- 6,293,981 B1 9/2001 Holderle et al.
- 6,395,049 B2 5/2002 Knodler et al.
- 6,425,930 B1 7/2002 Wake et al.
- 6,507,717 B2 1/2003 Kushida
- D474,266 S 5/2003 Rotter et al.
- 6,641,636 B2 11/2003 Willig et al.
- D484,584 S 12/2003 Anderson et al.
- 6,814,772 B1 11/2004 Wake et al.
- 7,004,987 B2 2/2006 Pikesch et al.
- D516,698 S 3/2006 Stout, Jr. et al.
- D517,679 S 3/2006 Stout, Jr. et al.
- D520,619 S 5/2006 Kuempel et al.

(Continued)

Related U.S. Application Data

- (62) Division of application No. 29/621,373, filed on Oct. 6, 2017, now Pat. No. Des. 914,187.
- (51) **LOC (14) Cl.** **23-04**
- (52) **U.S. Cl.**
USPC **D23/365**
- (58) **Field of Classification Search**
USPC D23/209, 235, 341, 358, 363-365, 393;
D15/5; 210/355; 55/498
CPC F02M 35/04; F02M 35/10; F02M 35/024;
B01D 46/0002; B01D 46/10
See application file for complete search history.

(56) **References Cited**

U.S. PATENT DOCUMENTS

- 4,617,122 A 10/1986 Kruse et al.
- 4,834,784 A 5/1989 Bidanset
- 4,838,909 A 6/1989 Bidanset
- D326,706 S 6/1992 Karisson
- D355,482 S 2/1995 Grisby, Jr.

Primary Examiner — John A Voytek

(74) *Attorney, Agent, or Firm* — The Belles Group, P.C.

(57) **CLAIM**

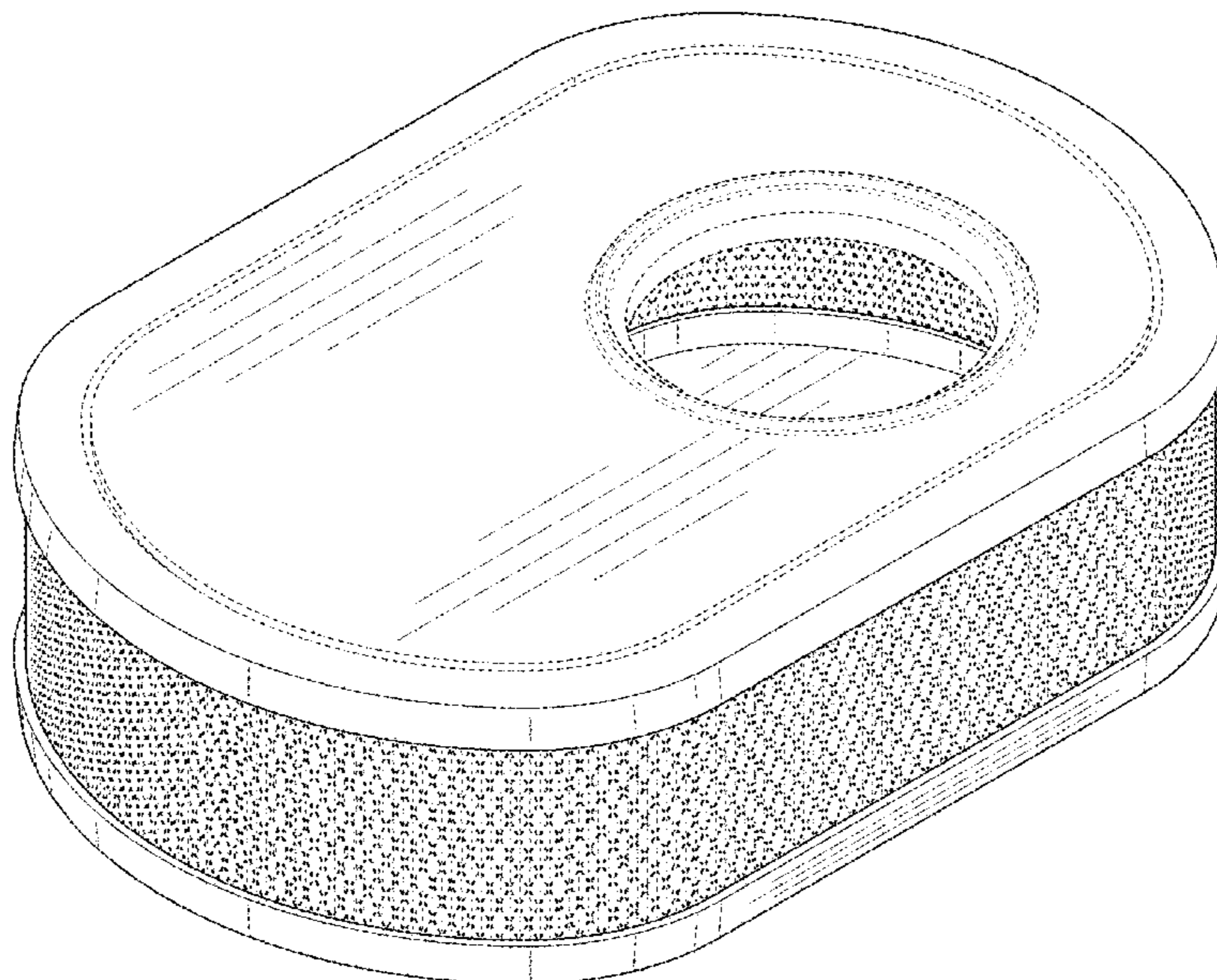
The ornamental design for an air cleaner filter, as shown and described.

DESCRIPTION

FIG. 1 is a front-right elevated view of an air cleaner filter according to the new design;
 FIG. 2 is a front-right depressed view thereof;
 FIG. 3 is a front plan view thereof;
 FIG. 4 is a rear plan view thereof;
 FIG. 5 is a right-side plan view thereof;
 FIG. 6 is a left-side plan view thereof;
 FIG. 7 is a top plan view thereof; and,
 FIG. 8 is a bottom plan view thereof.

All broken lines shown in the drawings depict portions of the air cleaner filter that form no part of the claimed design.

1 Claim, 7 Drawing Sheets



(56)

References Cited

U.S. PATENT DOCUMENTS

D520,620	S	5/2006	Wang	
D525,120	S	7/2006	Maskell et al.	
D535,373	S	1/2007	Chung	
D555,775	S	11/2007	Bonde et al.	
7,481,863	B2	1/2009	Oelpke et al.	
D640,131	S	6/2011	Gibson et al.	
D650,473	S	12/2011	Petersen	
D656,230	S	3/2012	Robinson	
D690,588	S	10/2013	Pipes et al.	
D692,298	S	10/2013	Pipes et al.	
D706,831	S	6/2014	Schultz	
D709,919	S	7/2014	Fairchild	
D736,263	S	8/2015	Schultz	
D794,082	S	8/2017	Krull	
D911,642	S *	2/2021	Burgess D32/31
D914,187	S *	3/2021	Bink D23/365
D926,961	S *	8/2021	Lee D23/366
D933,183	S *	10/2021	Leyden D23/366
11,147,309	B2 *	10/2021	Patel D21J 3/10
D935,587	S *	11/2021	Wu D23/364
D945,202	S *	3/2022	de Jesus Estima D23/207
D973,899	S *	12/2022	Maw D24/217
2012/0204846	A1	8/2012	Schultz	

* cited by examiner

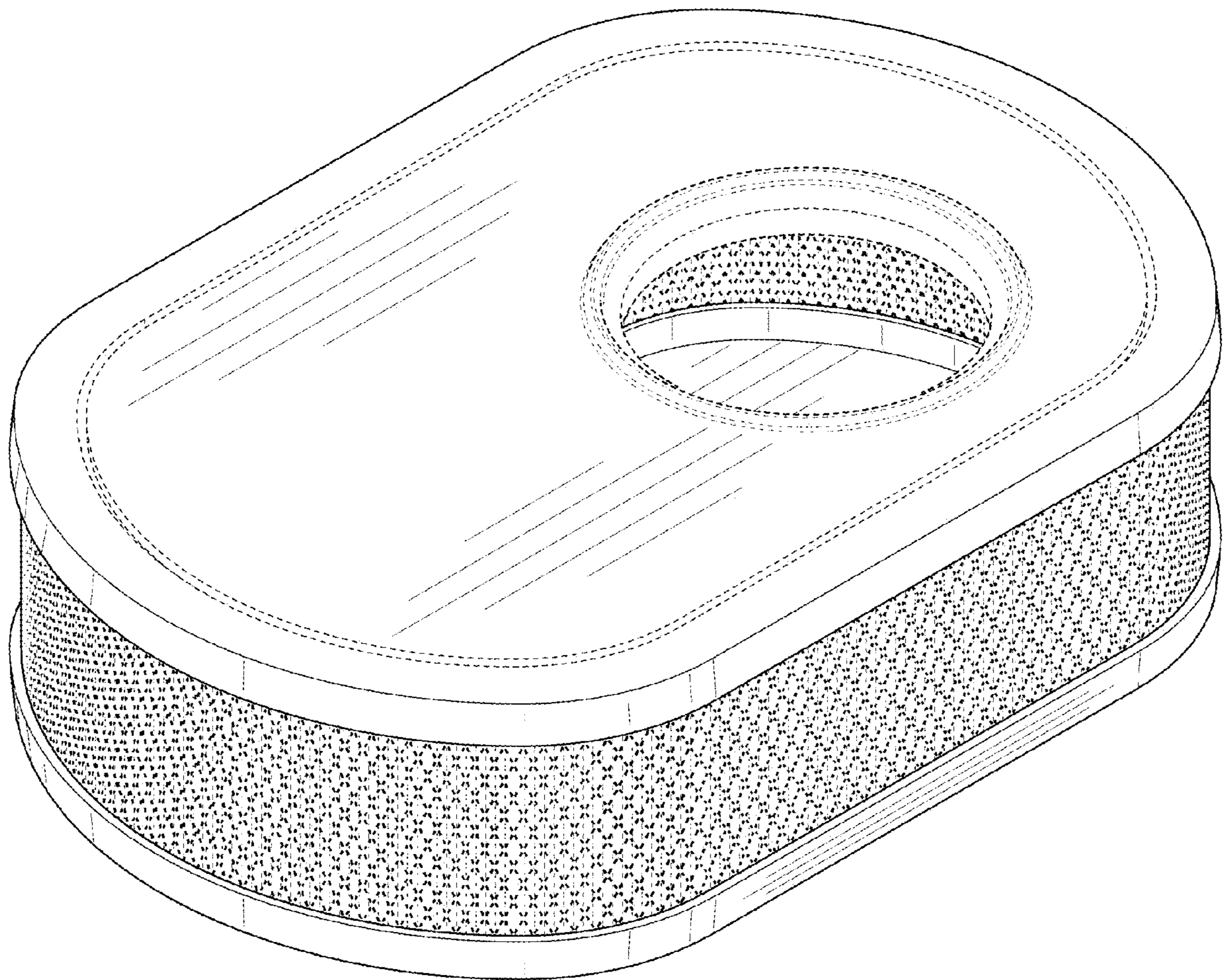


FIG. 1

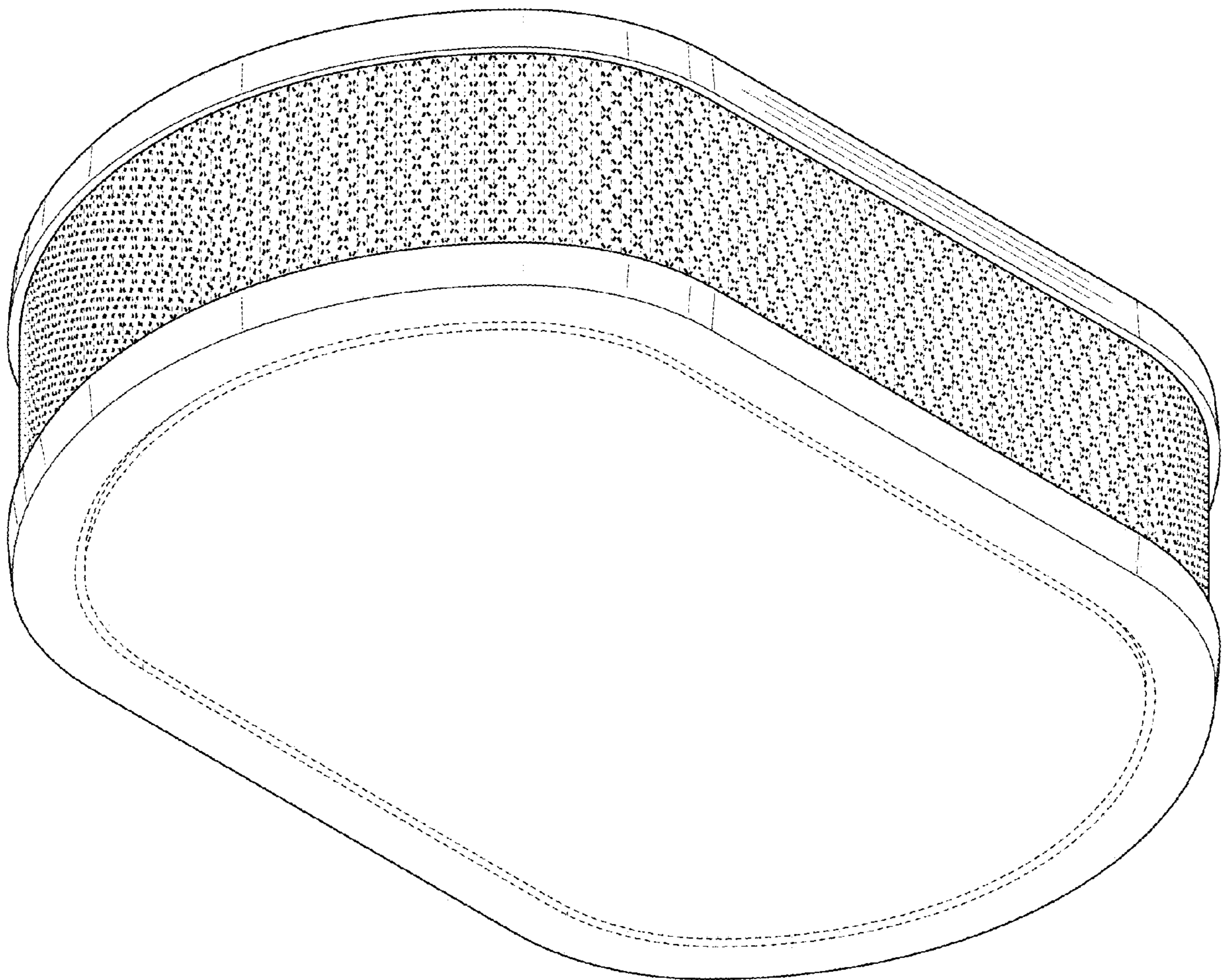


FIG. 2

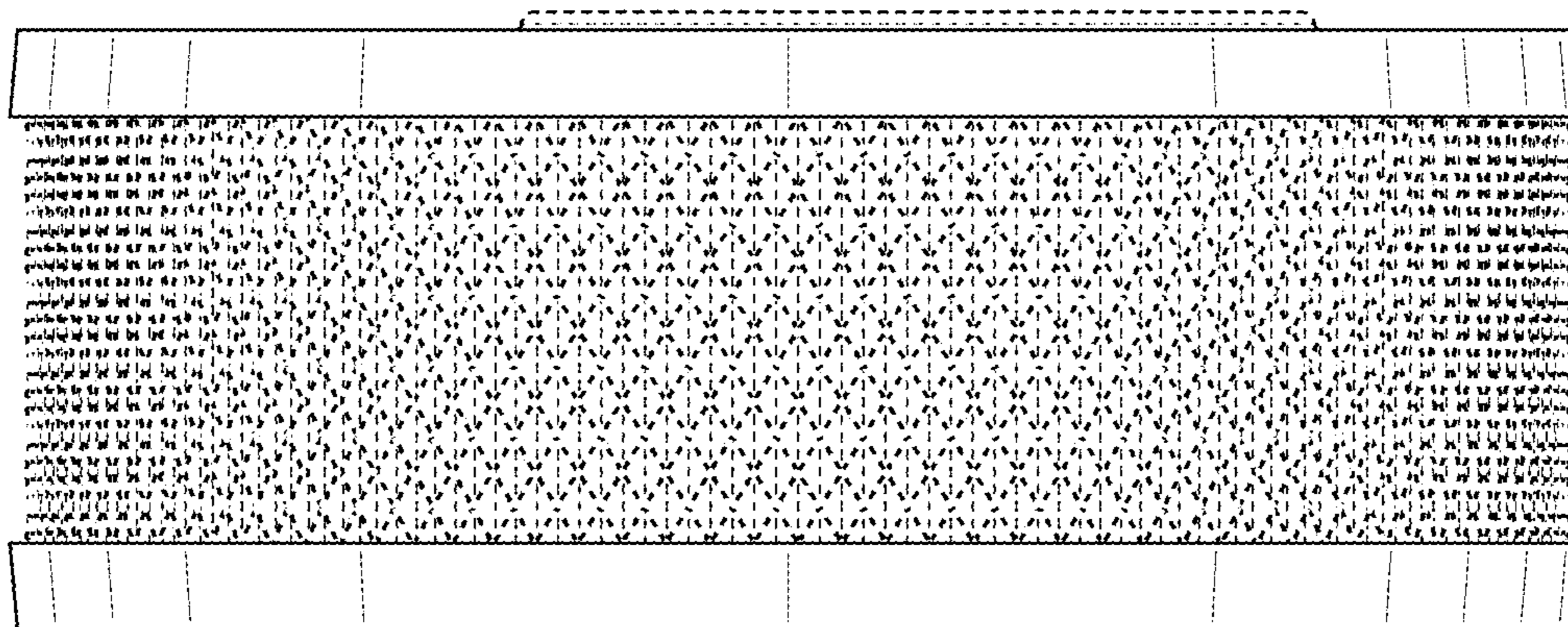


FIG. 3

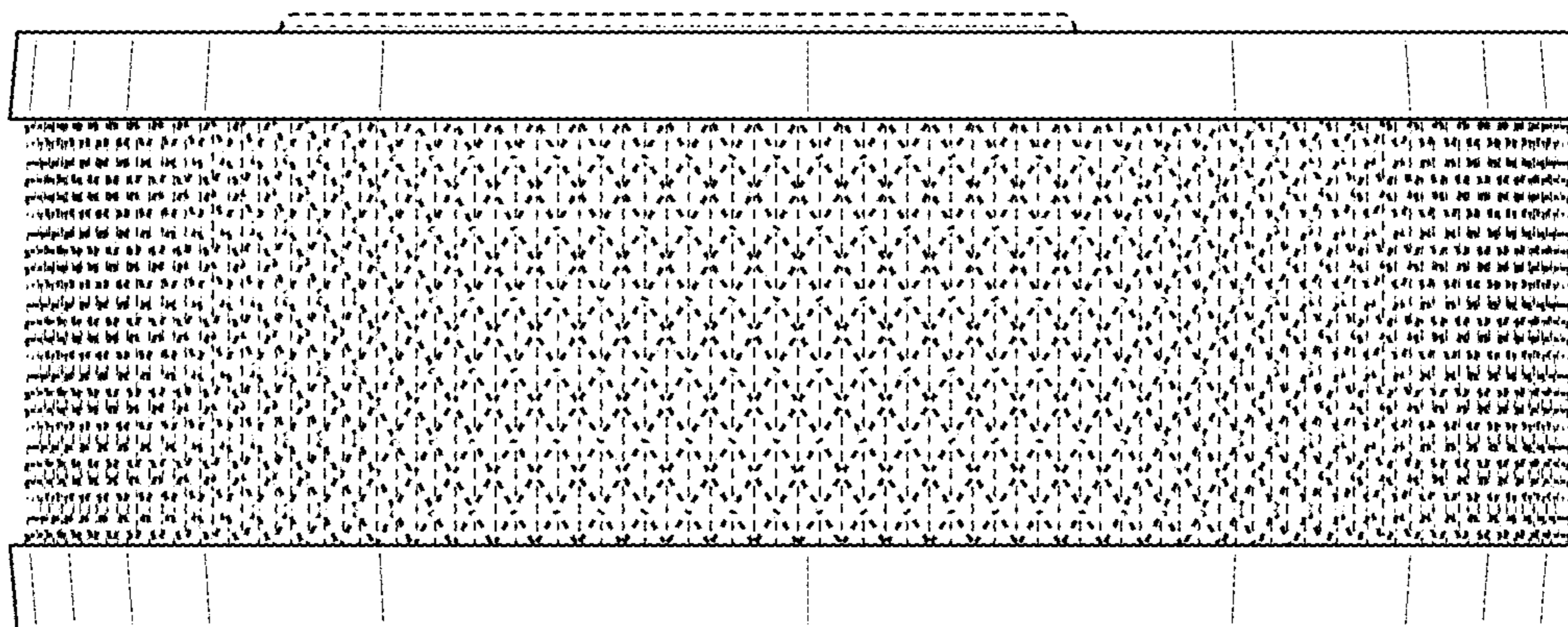


FIG. 4

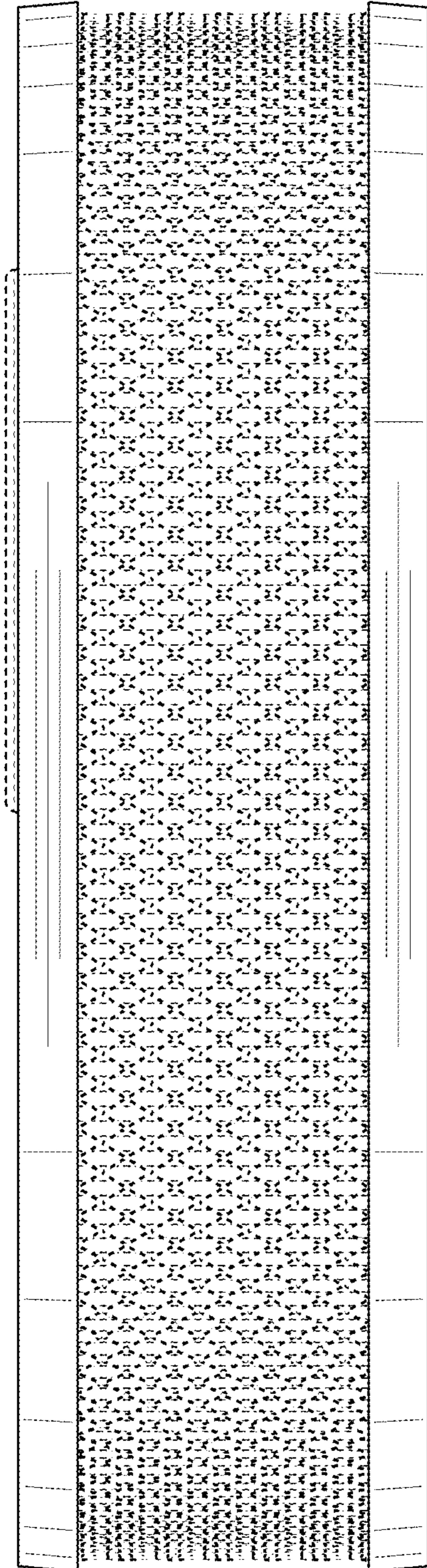


FIG. 5

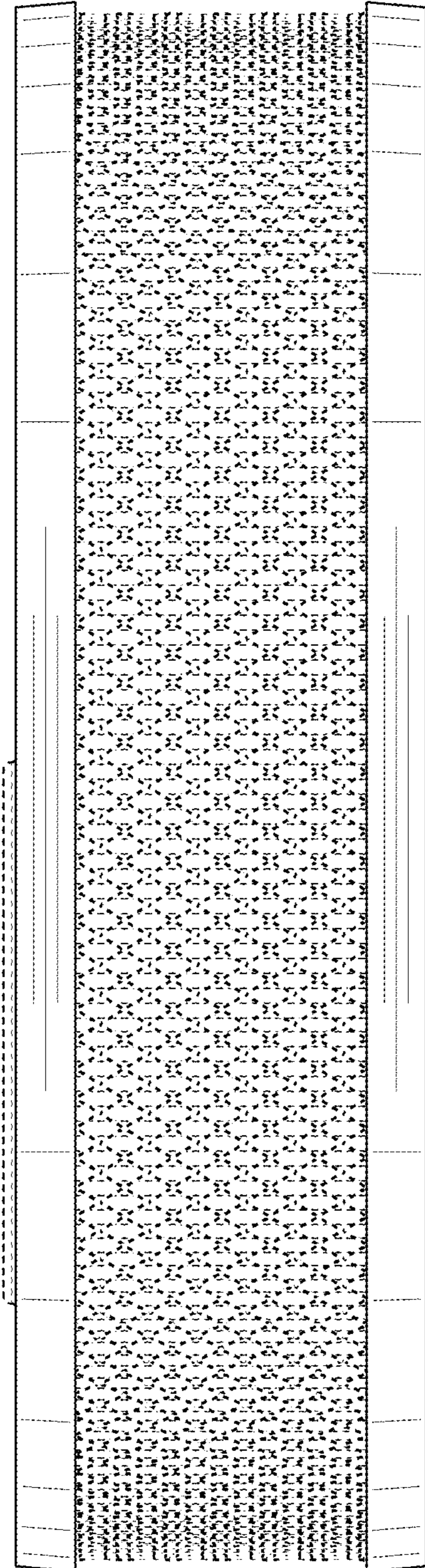


FIG. 6

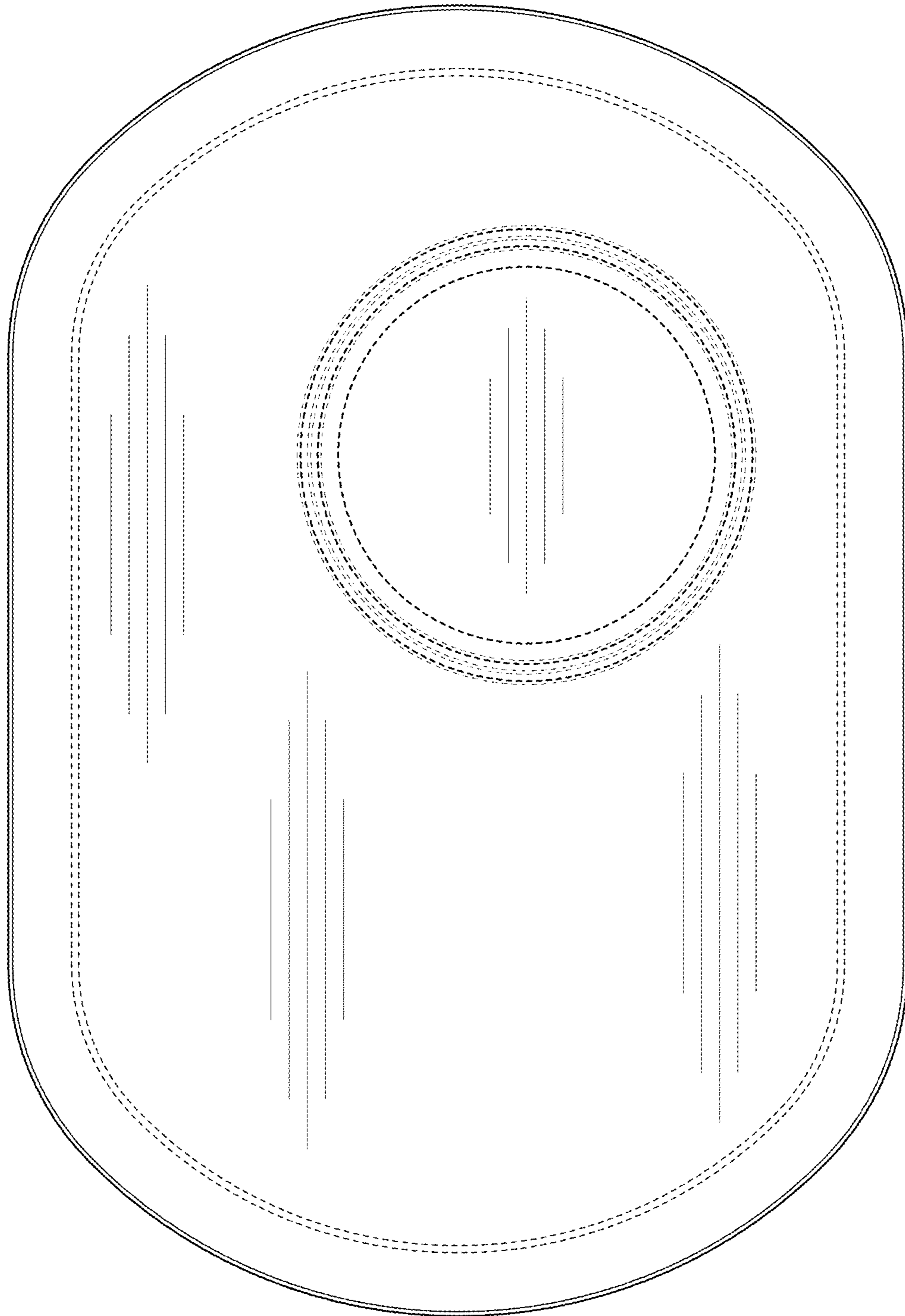


FIG. 7

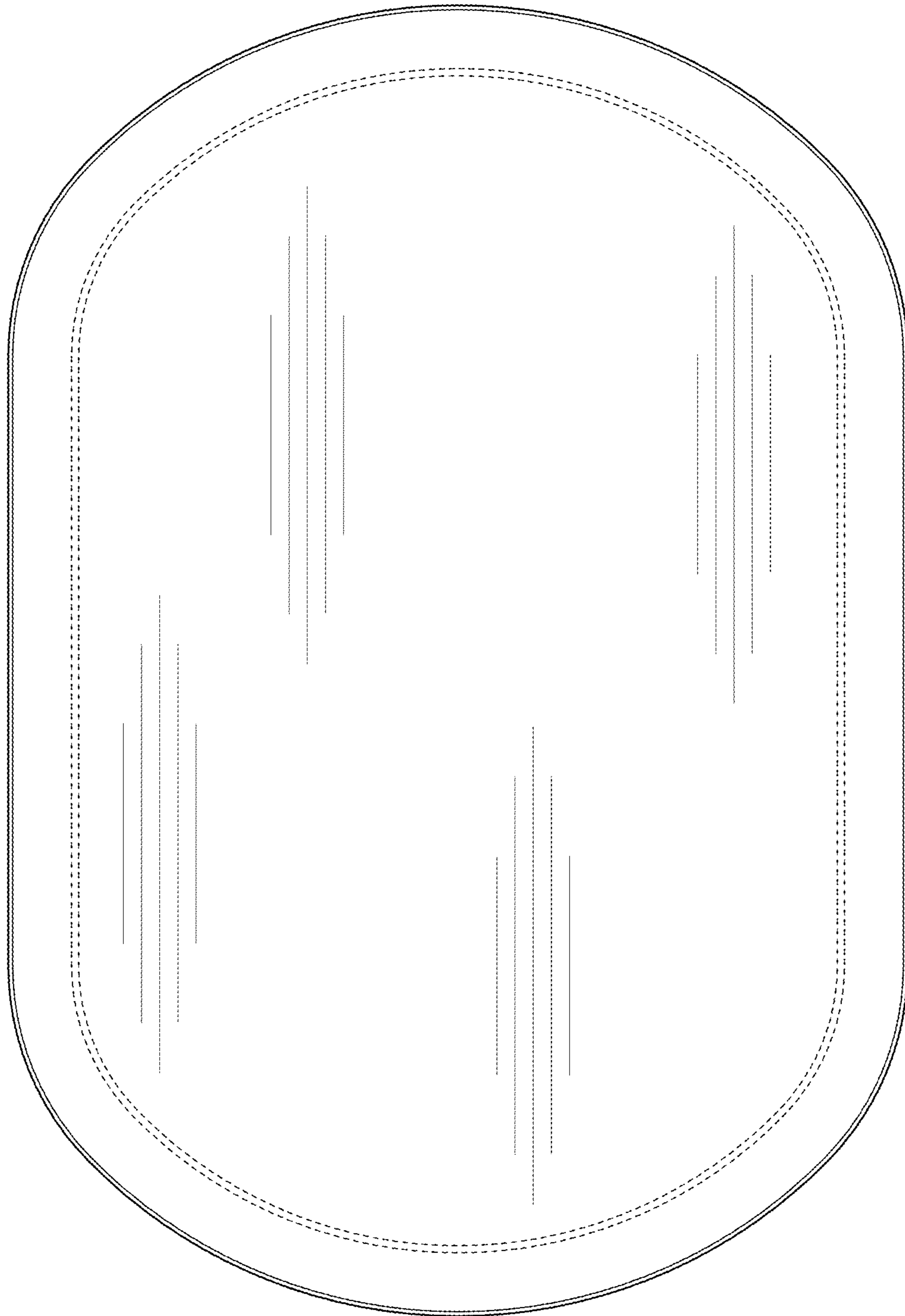


FIG. 8