



US00D988489S

(12) **United States Design Patent** (10) **Patent No.:** **US D988,489 S**
Huang (45) **Date of Patent:** **** Jun. 6, 2023**

(54) **AIR PURIFIER**

FOREIGN PATENT DOCUMENTS

(71) Applicant: **Kunshan Hung Hsing Electric Co., Ltd.**, Kunshan (CN)

CN 306697939 * 2/2021
WO WOD217212-004 * 2/2021

(72) Inventor: **Yingbin Huang**, Kunshan (CN)

OTHER PUBLICATIONS

(**) Term: **15 Years**

Levoit Air Purifier Sep. 9, 2019 found on Mar. 6, 2023 at: https://www.amazon.com/LEVOIT-Purifier-Home-Allergies-Pets/dp/B07VVK39F7/ref=asc_df_B07VVK39F7/?th=1 (Year: 2019).*

(21) Appl. No.: **29/882,108**

(Continued)

(22) Filed: **Jan. 11, 2023**

(51) **LOC (14) Cl.** **23-04**

Primary Examiner — Jennifer Rivard

(52) **U.S. Cl.**

Assistant Examiner — Jonathan E Fiencke

USPC **D23/364**

(74) *Attorney, Agent, or Firm* — Rumit Ranjit Kanakia

(58) **Field of Classification Search**

(57) **CLAIM**

USPC D23/200, 202, 206, 209, 325, 333, 336,
D23/351–352, 355–367, 370

The ornamental design for an air purifier, as shown and described.

CPC .. A61L 9/16; A61L 9/22; B01D 47/00; B03C 3/368; B05C 11/00; F24F 1/00; F24F 1/02; F24F 1/0007; F24F 13/28; F24F 1/60; F24F 11/76; F24F 11/83; F24F 3/14

DESCRIPTION

See application file for complete search history.

FIG. 1 is a front perspective view of an air purifier showing my new design;

(56) **References Cited**

U.S. PATENT DOCUMENTS

| | | | | | |
|------------|---|---------|---------|-------|---------|
| D835,766 S | * | 12/2018 | Chen | | D23/364 |
| D882,056 S | * | 4/2020 | Baillie | | D23/364 |
| D886,975 S | * | 6/2020 | Yang | | D23/364 |
| D888,923 S | * | 6/2020 | Zhong | | D23/364 |
| D906,501 S | * | 12/2020 | Lim | | D23/364 |
| D912,795 S | * | 3/2021 | Wang | | D23/364 |
| D918,371 S | | 5/2021 | Zeng | | |
| D919,071 S | | 5/2021 | Zheng | | |
| D922,557 S | | 6/2021 | Guo | | |
| D935,591 S | * | 11/2021 | Xu | | D23/364 |
| D938,566 S | * | 12/2021 | Yang | | D23/364 |
| D942,604 S | * | 2/2022 | Yang | | D23/364 |
| D944,959 S | | 3/2022 | Wang | | |
| D947,341 S | | 3/2022 | Xia | | |
| D947,343 S | | 3/2022 | Xia | | |
| D949,311 S | | 4/2022 | Yan | | |

FIG. 2 is a rear perspective view thereof;

FIG. 3 is a front elevational view thereof;

FIG. 4 is a rear elevational view thereof;

FIG. 5 is a left side view thereof;

FIG. 6 is a right side view thereof;

FIG. 7 is a top plan view thereof;

FIG. 8 is a bottom plan view thereof;

FIG. 9 is an enlarged detail view of area 9 in FIG. 2;

FIG. 10 is an enlarged detail view of area 10 in FIG. 2;

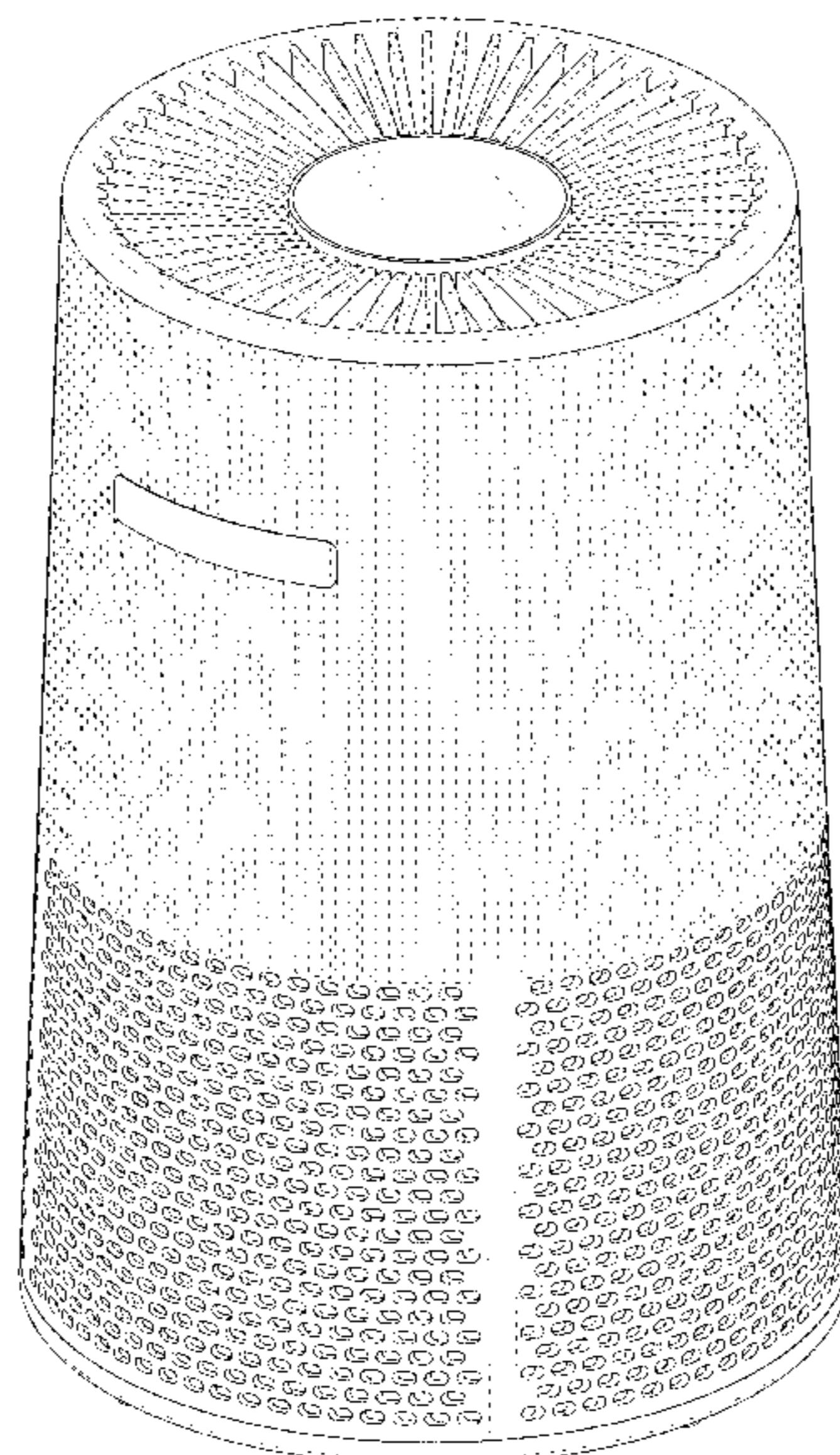
FIG. 11 is an enlarged detail view of area 11 in FIG. 7; and,

FIG. 12 is an enlarged detail view of area 12 in FIG. 7.

The evenly spaced broken lines depict portions of the air purifier that form no part of the claimed design. The dot dash dot broken lines denote the boundaries of the detail areas and form no part of the claim.

(Continued)

1 Claim, 12 Drawing Sheets



(56)

References Cited

U.S. PATENT DOCUMENTS

| | | | |
|--------------|---------|------|---------------|
| D950,033 S | 4/2022 | Peng | |
| D951,412 S * | 5/2022 | Han | D23/364 |
| D954,241 S * | 6/2022 | Han | D23/364 |
| D962,413 S * | 8/2022 | Li | D23/366 |
| D967,378 S | 10/2022 | Ha | |
| D967,379 S | 10/2022 | Ha | |
| D979,729 S * | 2/2023 | Yu | D23/364 |

OTHER PUBLICATIONS

Mooka Air Purifier Dec. 19, 2022 found on Mar. 6, 2023 at:
<https://www.amazon.com/dp/B0BQJCPJNV/> (Year: 2022).*

* cited by examiner

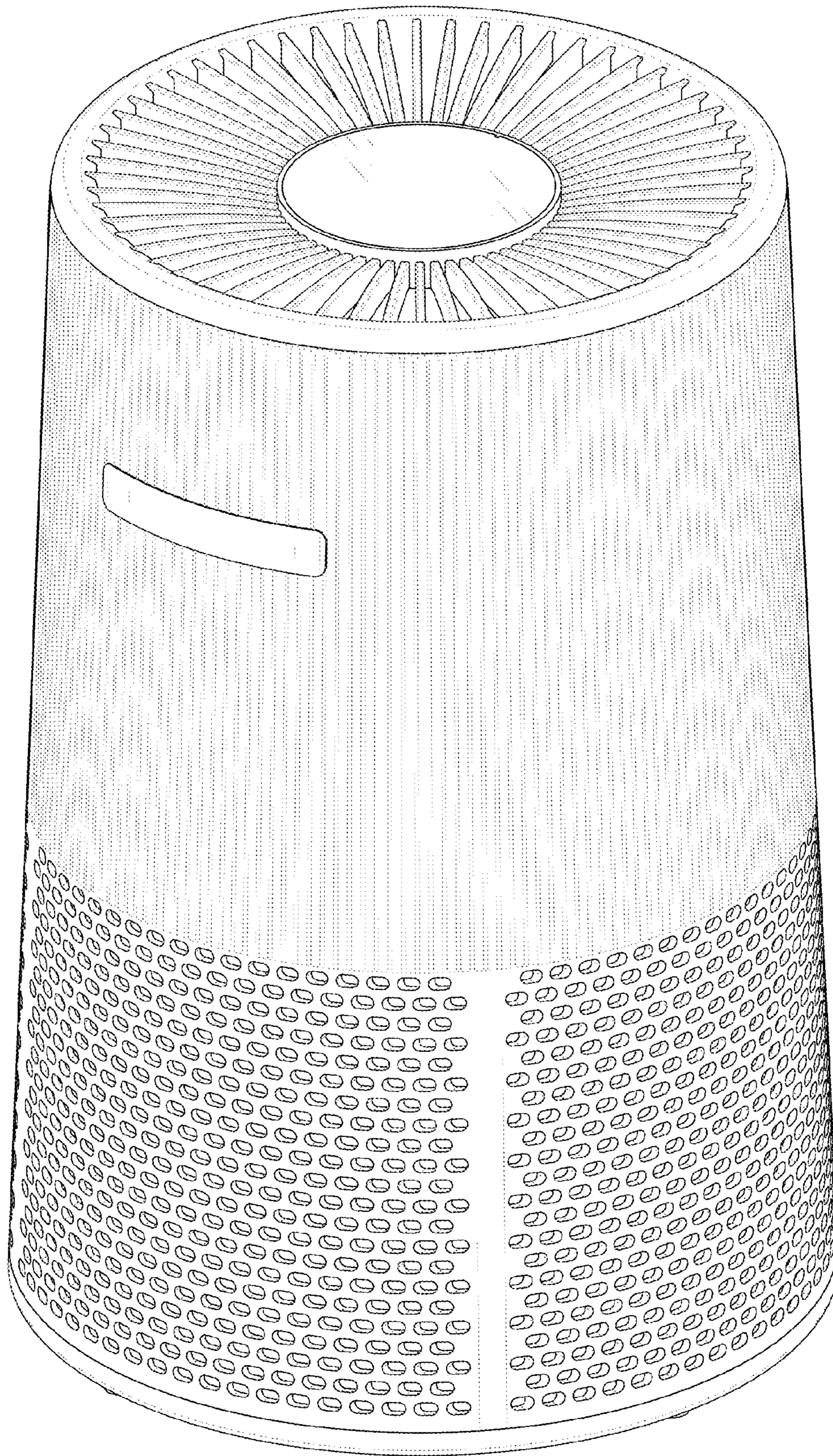


FIG. 1

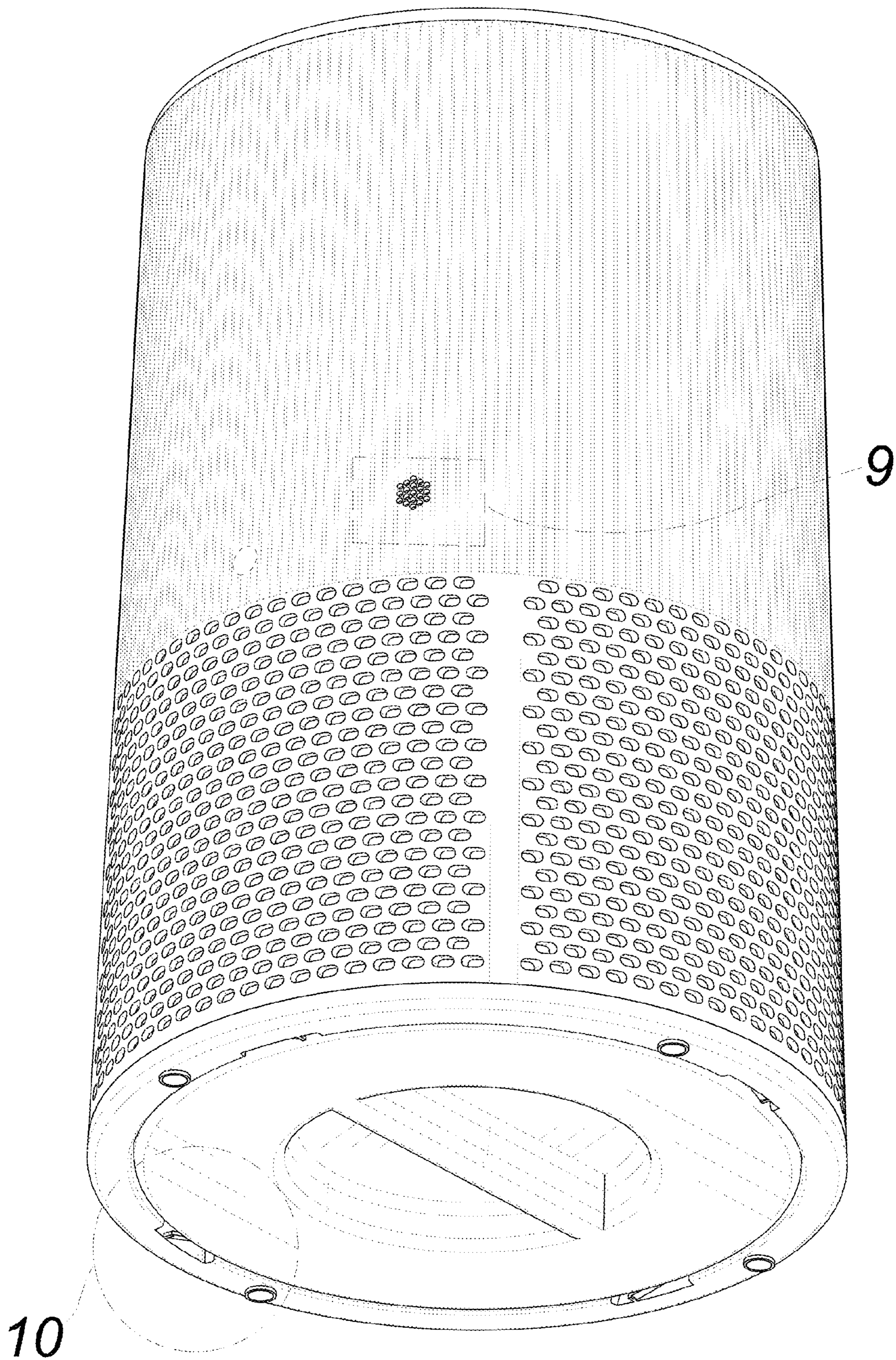


FIG. 2

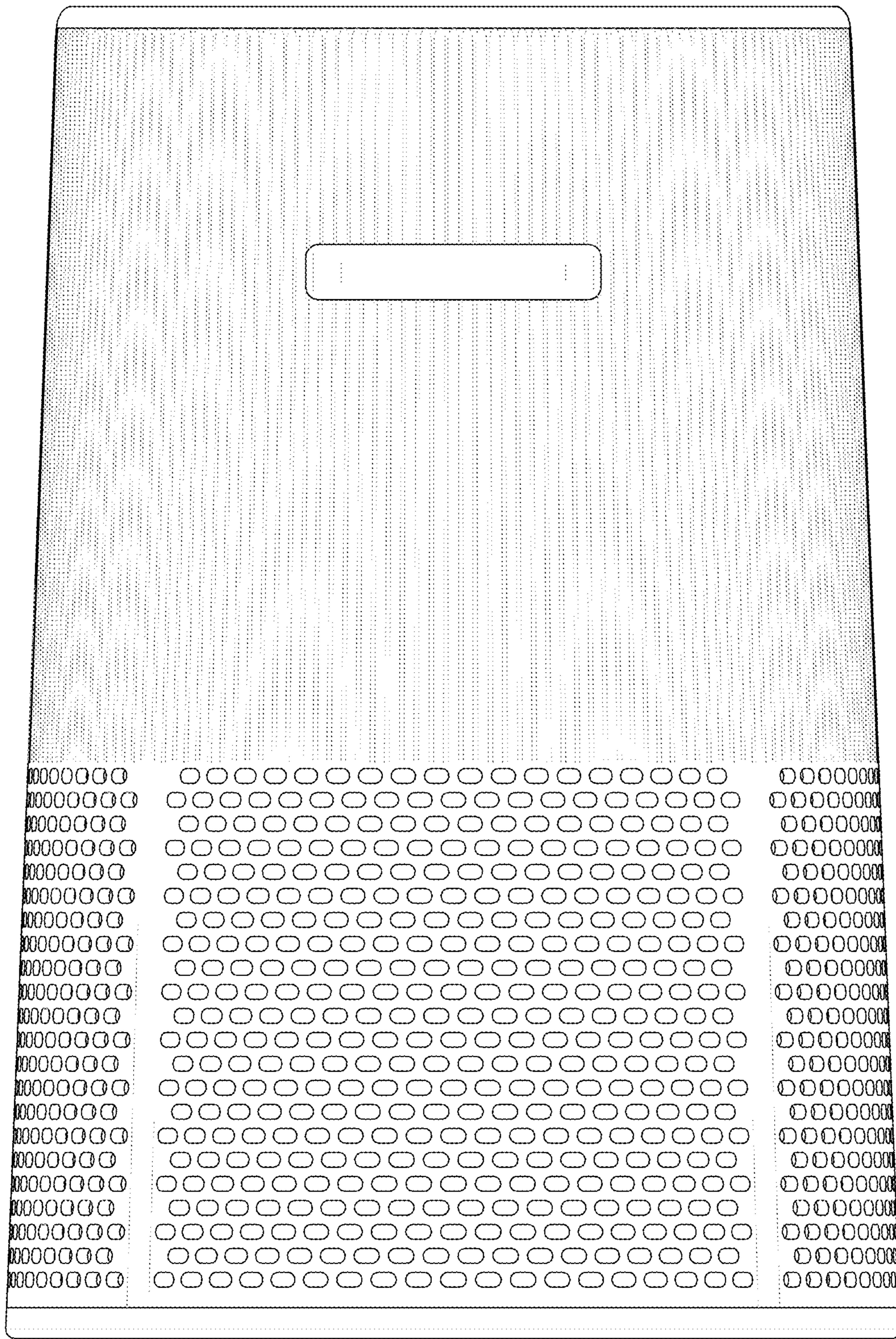


FIG. 3

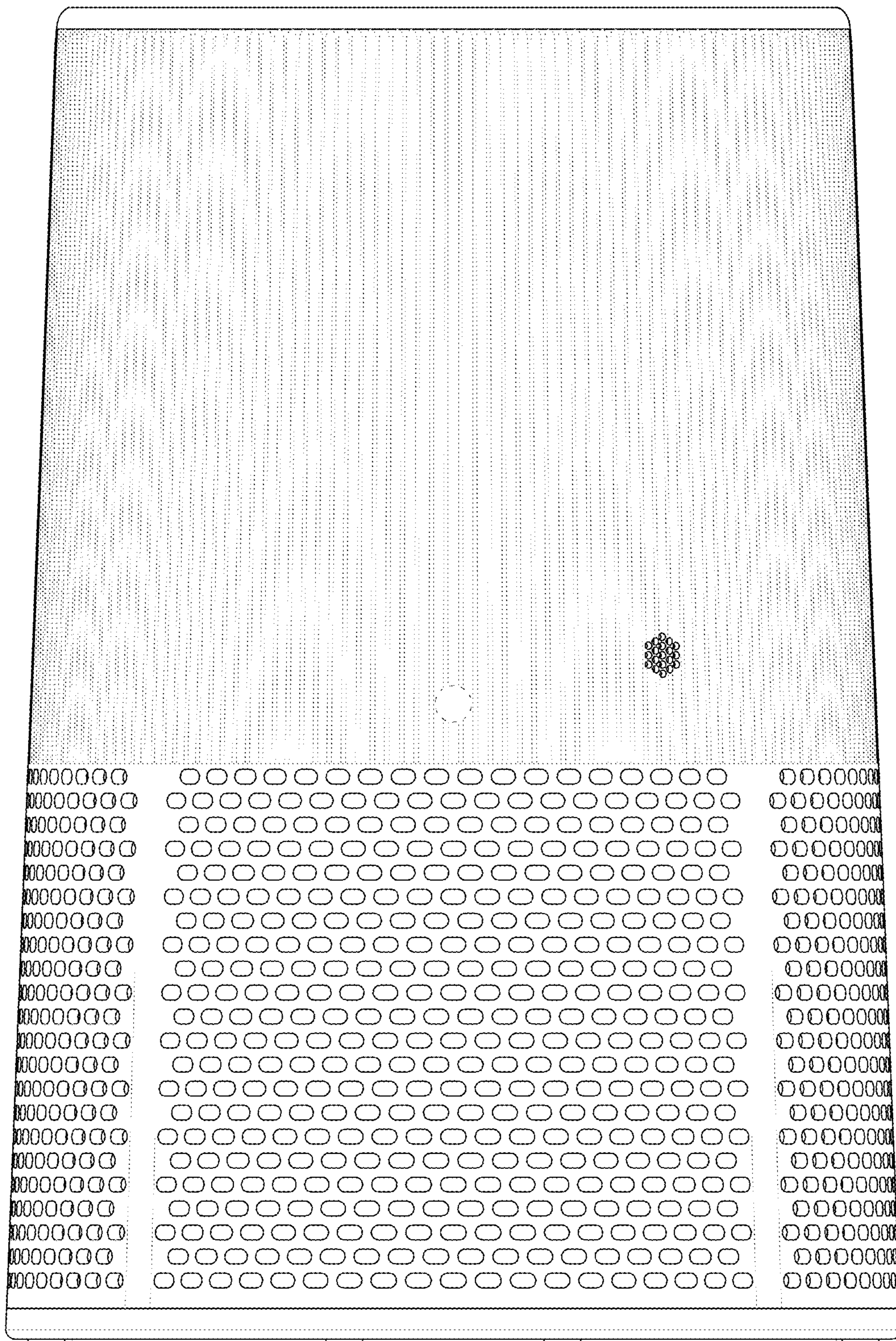


FIG. 4

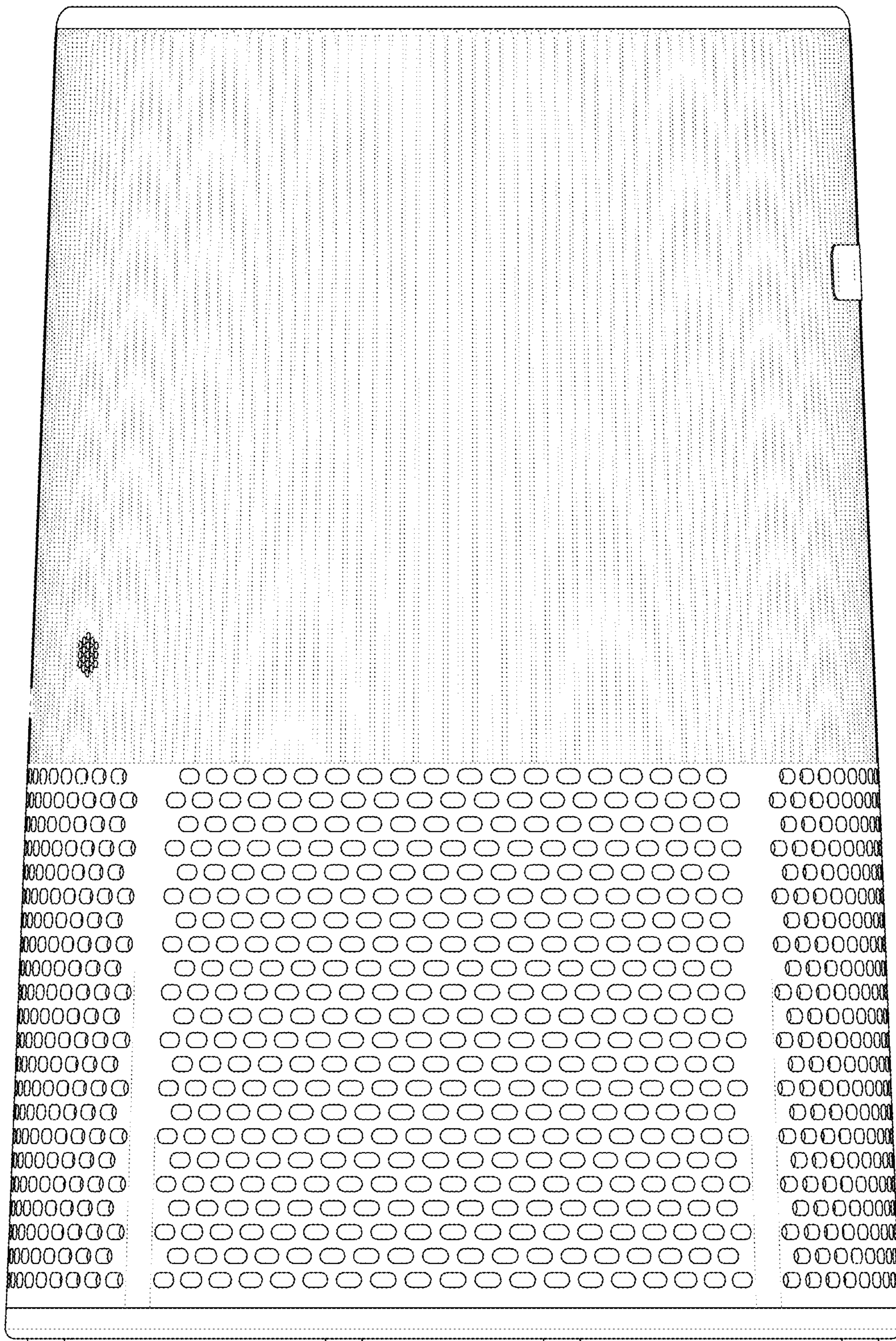


FIG. 5

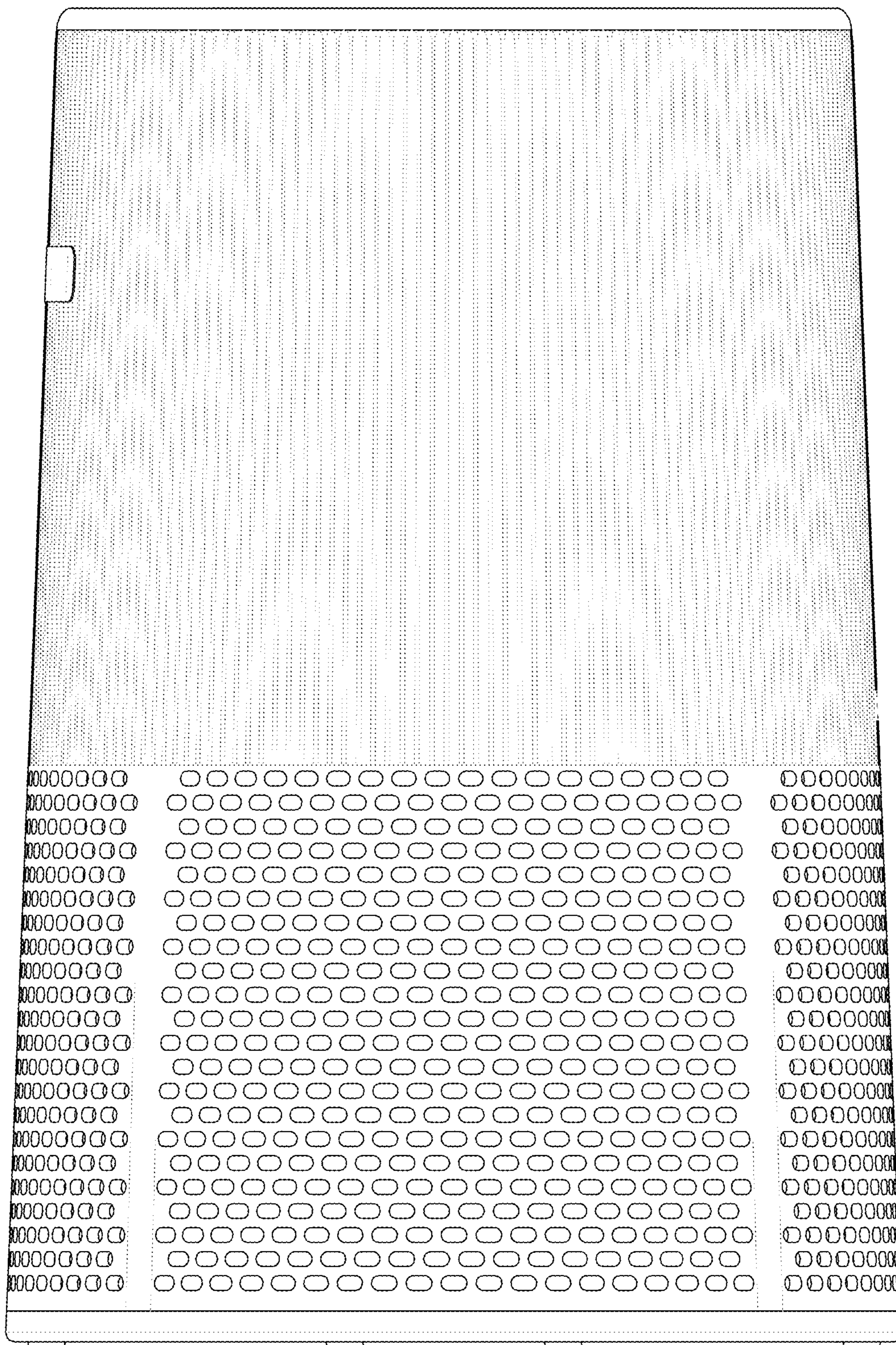


FIG. 6

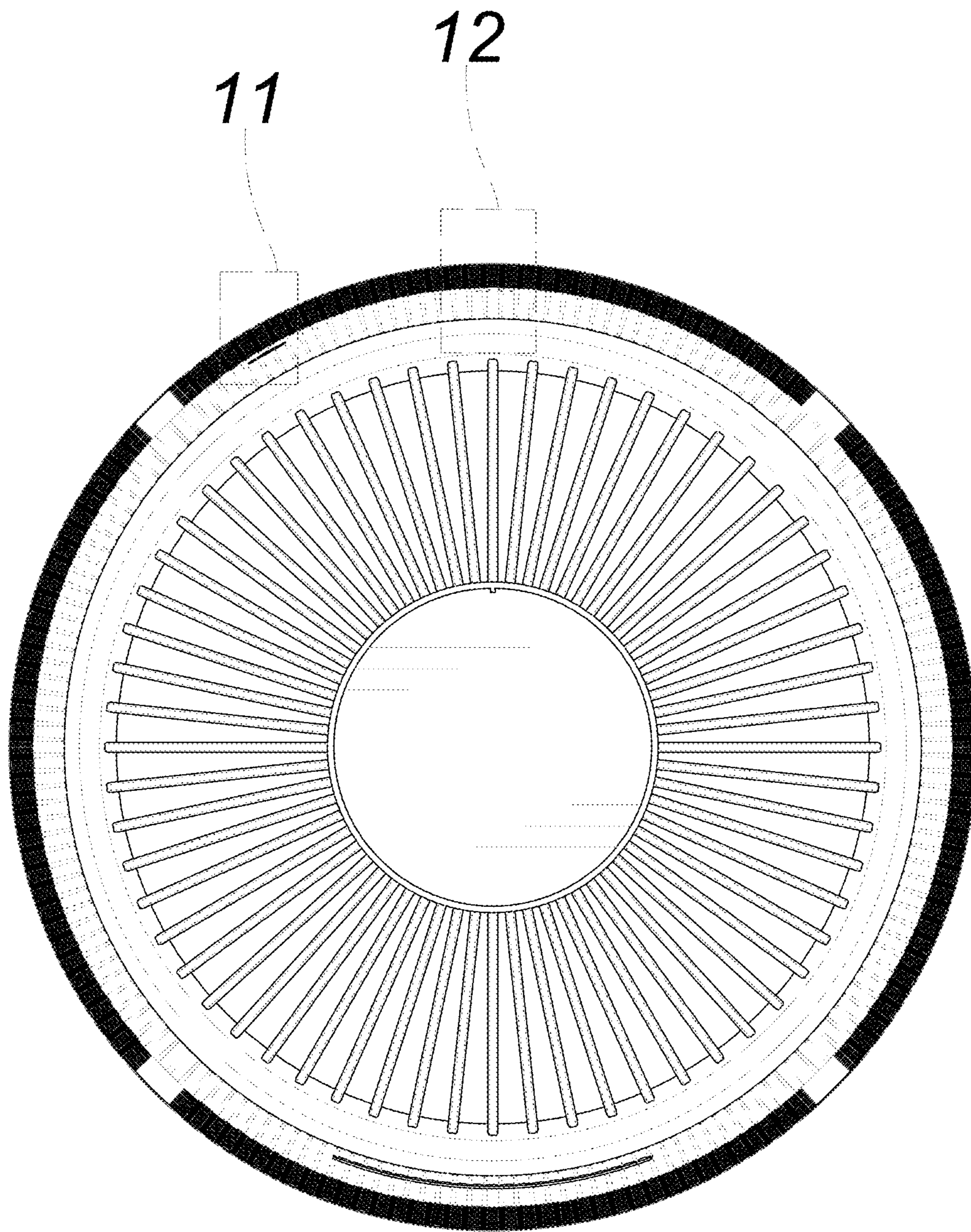


FIG. 7

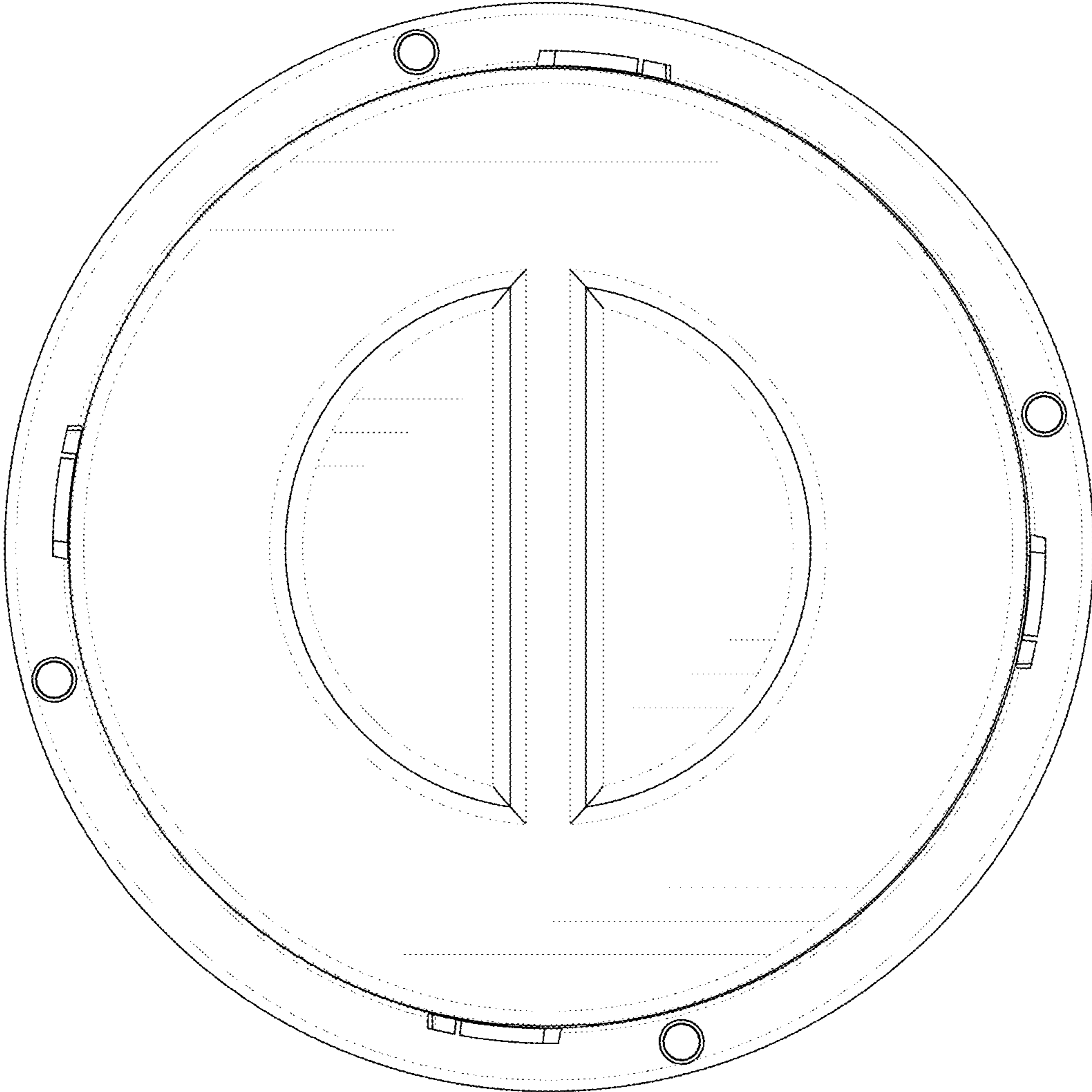


FIG. 8

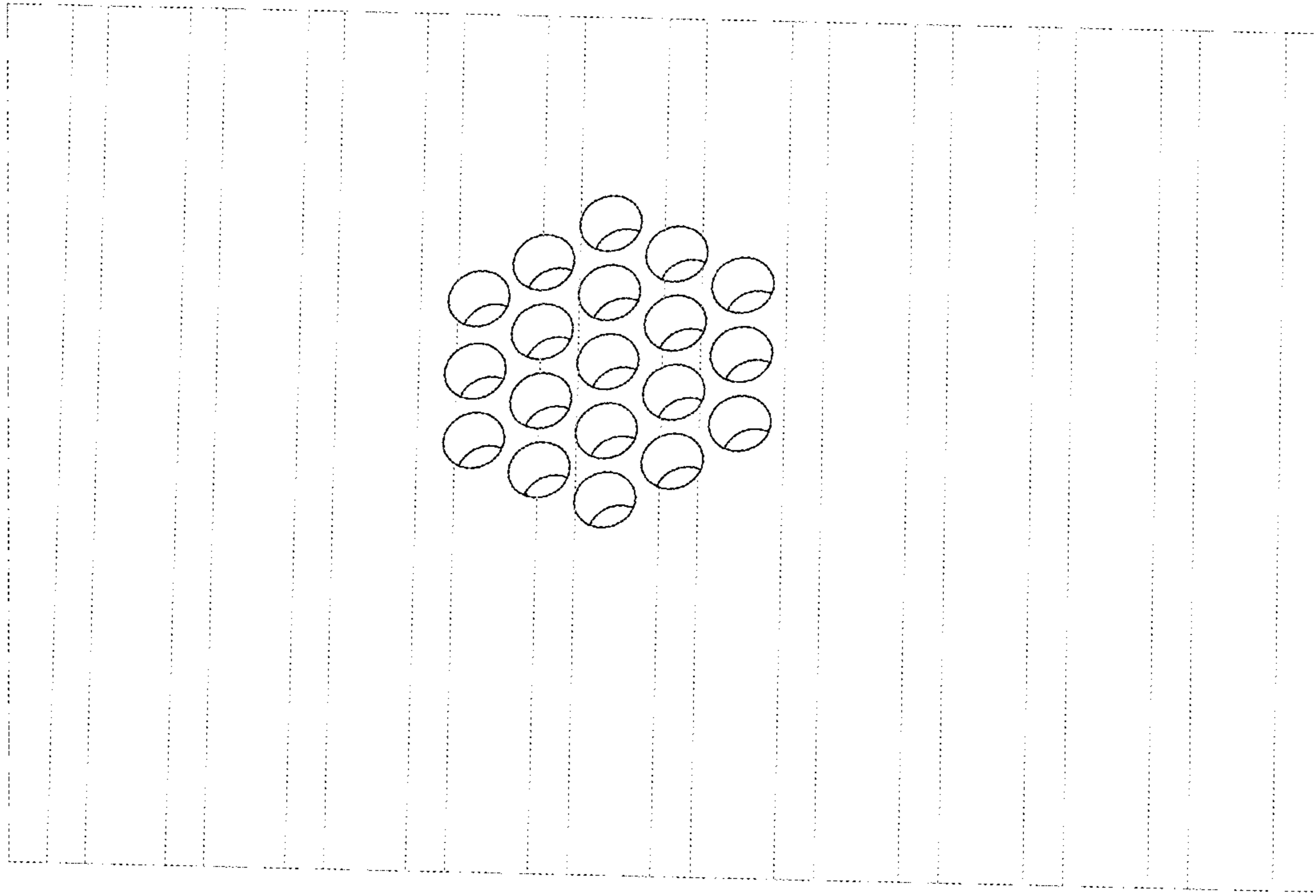


FIG. 9

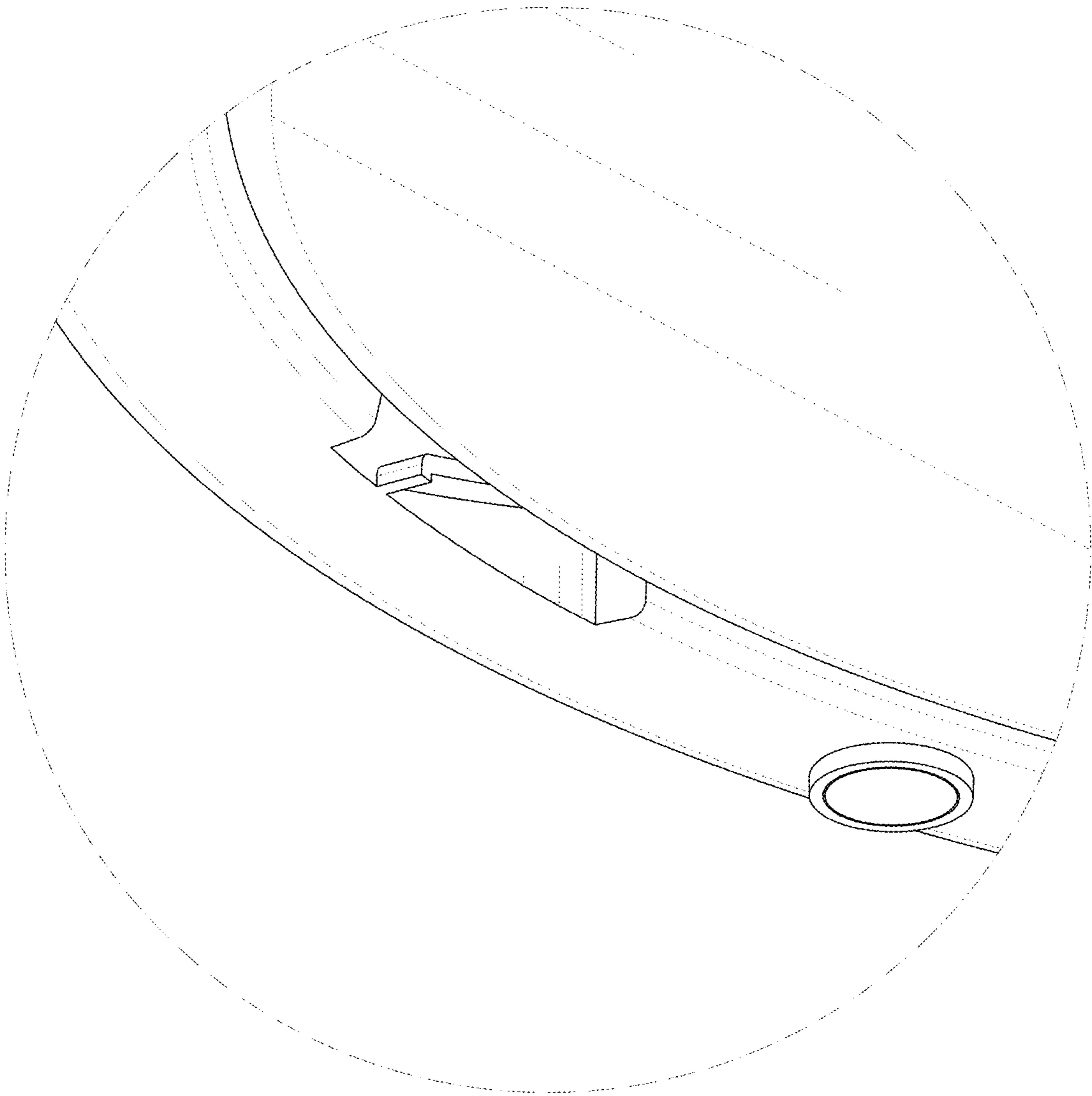


FIG. 10

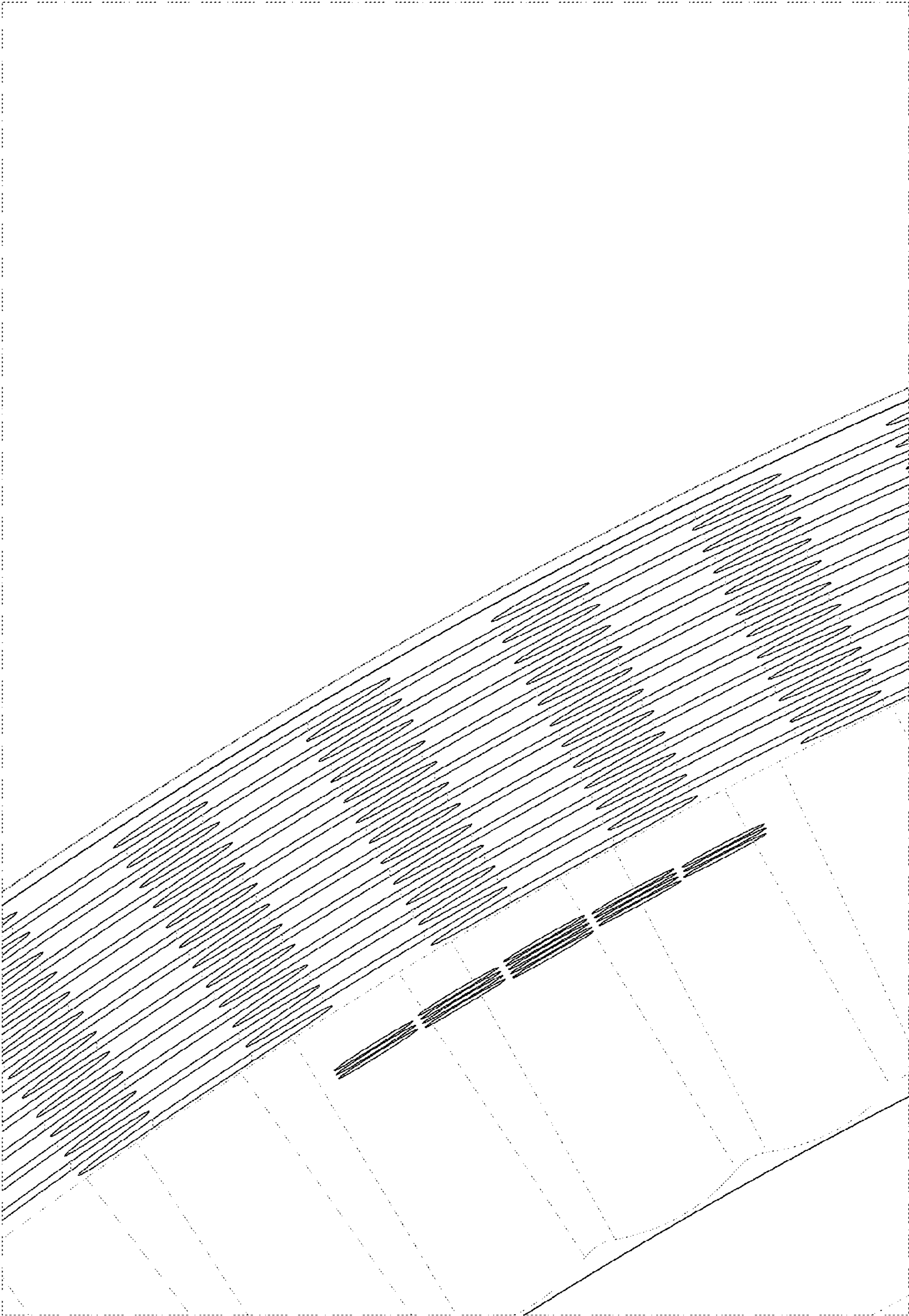


FIG. 11

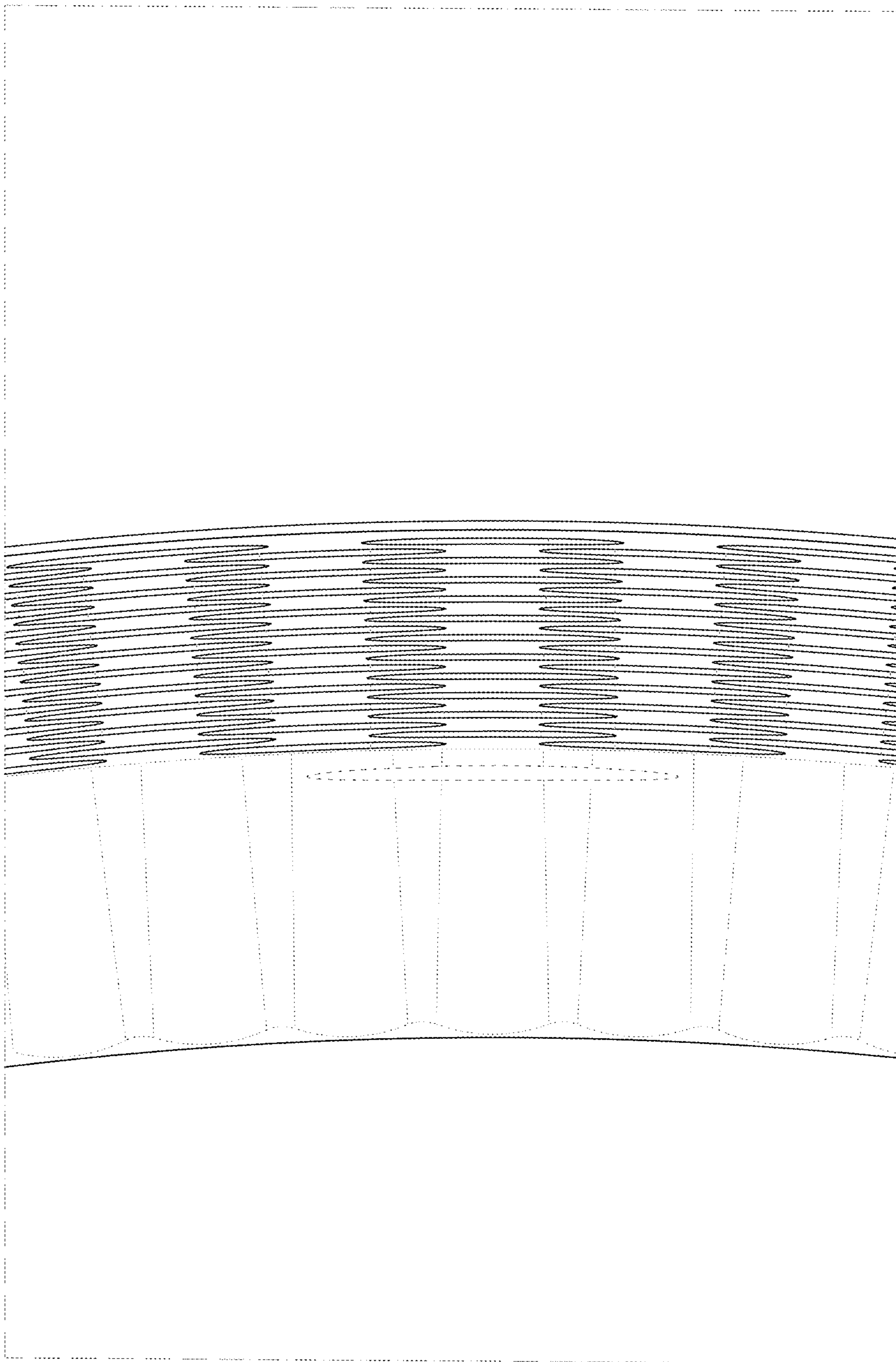


FIG. 12