



US00D988487S

(12) **United States Design Patent**
Chen

(10) **Patent No.:** **US D988,487 S**
(45) **Date of Patent:** **** Jun. 6, 2023**

(54) **BIDET**

(71) Applicant: **Xiamen Aquatown Technology Co., Ltd**, Xiamen (CN)

(72) Inventor: **Zhanxian Chen**, Xiamen (CN)

(73) Assignee: **Xiamen Aquatown Technology Co., Ltd**, Xiamen (CN)

(**) Term: **15 Years**

(21) Appl. No.: **29/806,492**

(22) Filed: **Sep. 3, 2021**

(30) **Foreign Application Priority Data**

Aug. 4, 2021 (CN) 202130501916.6

(51) **LOC (14) Cl.** **23-02**

(52) **U.S. Cl.**
USPC **D23/309**

(58) **Field of Classification Search**
USPC D23/303, 308–309, 311–312; D8/307
See application file for complete search history.

(56) **References Cited**

U.S. PATENT DOCUMENTS

- 5,647,070 A * 7/1997 Yu E03D 9/08
4/420.4
- 9,745,732 B2 * 8/2017 Suggs E03D 9/052
- D897,507 S * 9/2020 Agrawal D23/309
- 11,193,263 B1 * 12/2021 Bensing E03D 9/08

OTHER PUBLICATIONS

The Tushy Spa 3.0: The Spruce article “The 6 Best Bidet Attachments of 2022” <https://www.thespruce.com/best-bidet-attachments-4154316> (Year: 2022).*

* cited by examiner

Primary Examiner — Robert A Delehanty

(74) *Attorney, Agent, or Firm* — Bayramoglu Law Offices LLC

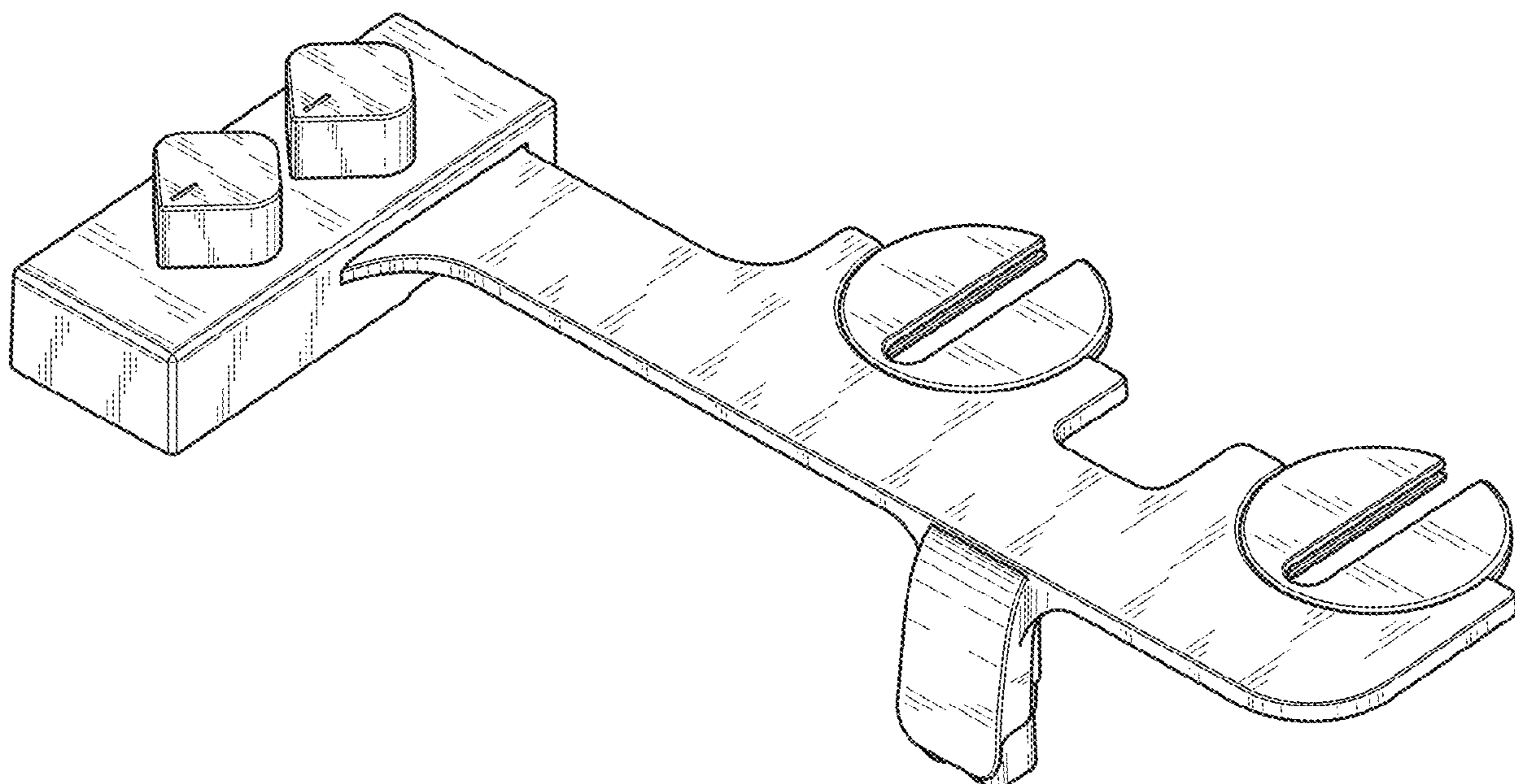
(57) **CLAIM**

The ornamental design for a bidet, as shown and described.

DESCRIPTION

FIG. 1 is a perspective view of a bidet showing my new design;
FIG. 2 is a front view thereof;
FIG. 3 is a rear view thereof;
FIG. 4 is a left side view thereof;
FIG. 5 is a right side view thereof;
FIG. 6 is a top view thereof; and,
FIG. 7 is a bottom view thereof.
The broken lines depict portions of the bidet that form no part of the claimed design.

1 Claim, 7 Drawing Sheets



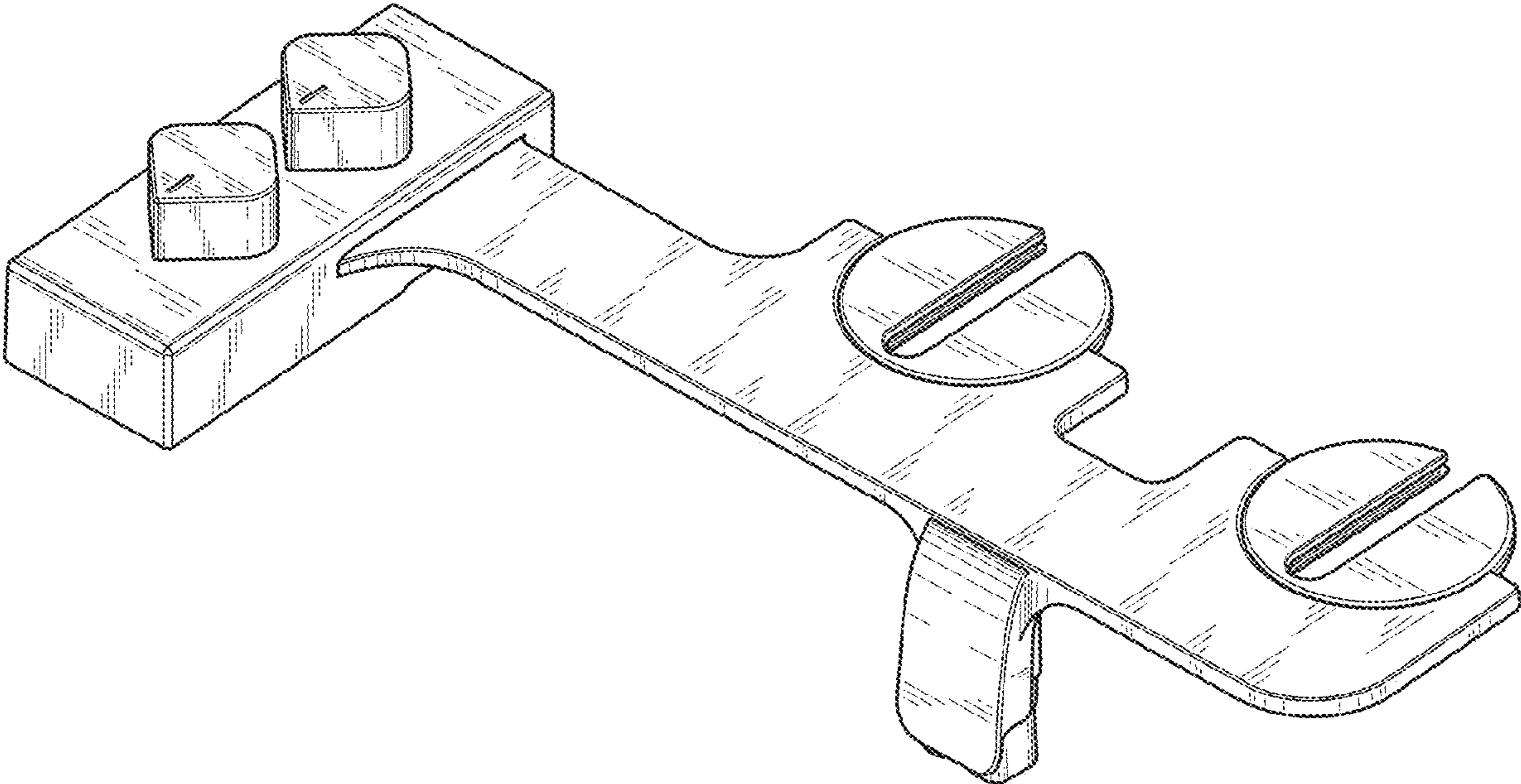


Fig. 1

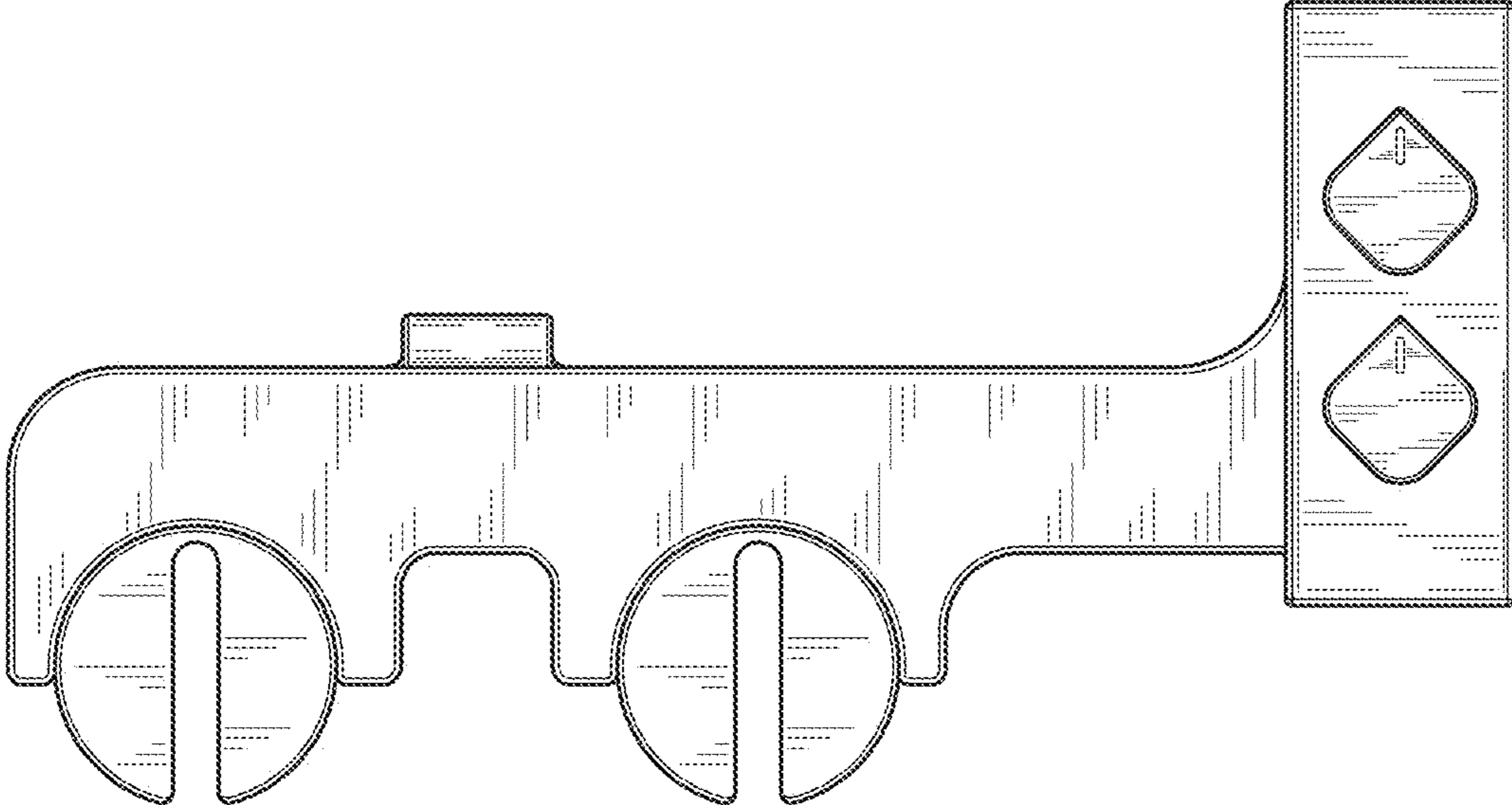


Fig. 2

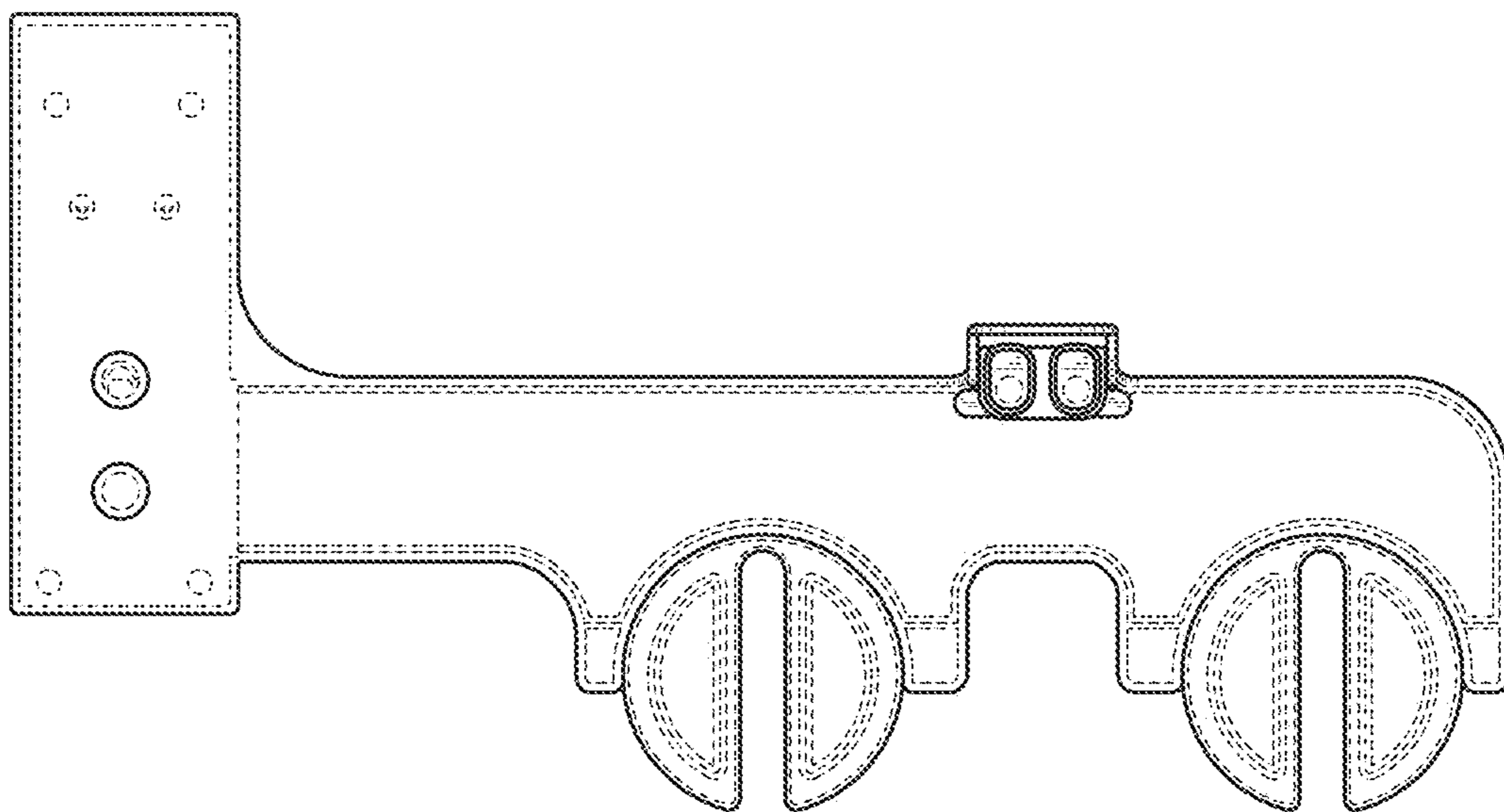


Fig. 3

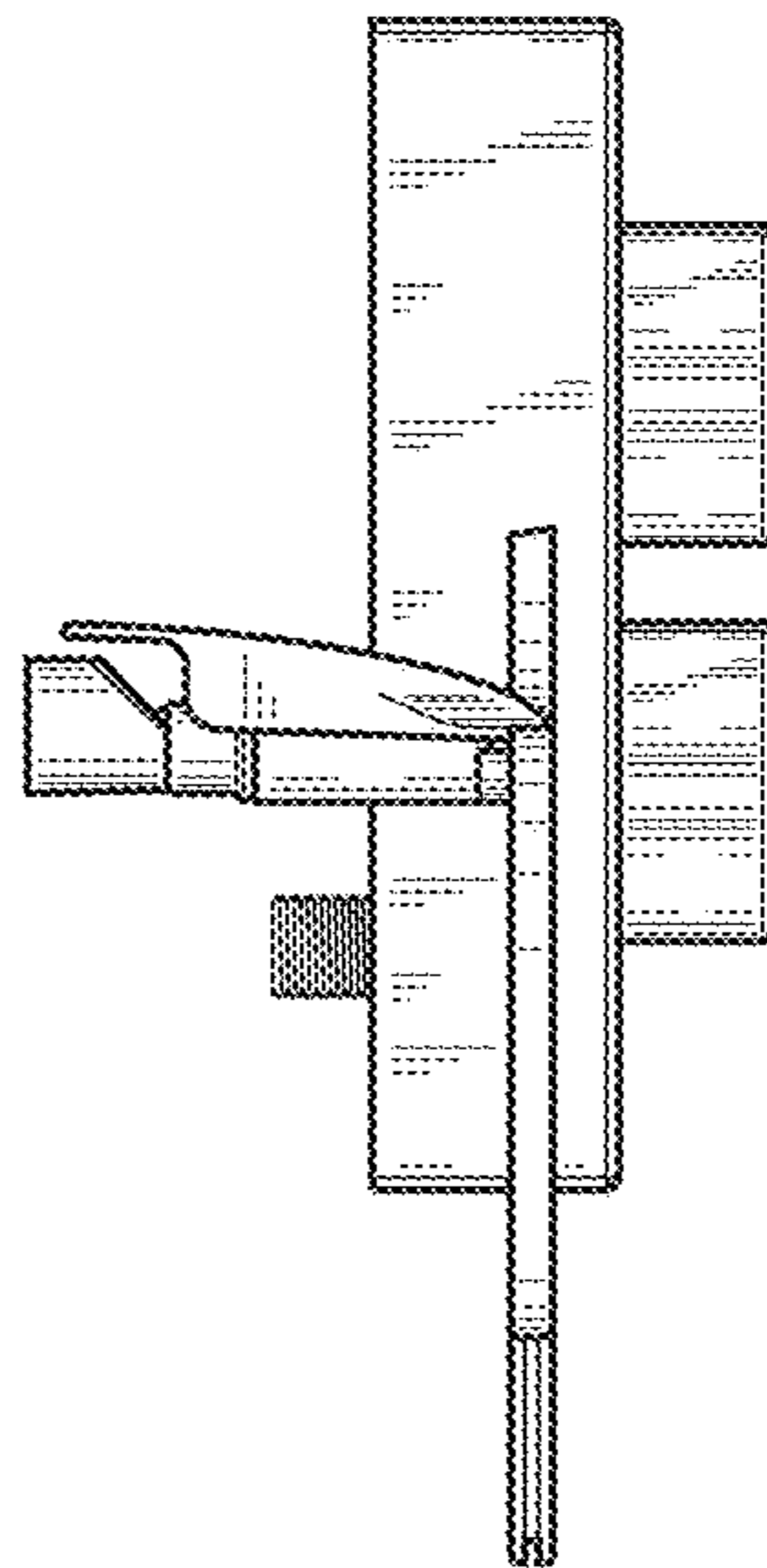


Fig. 4

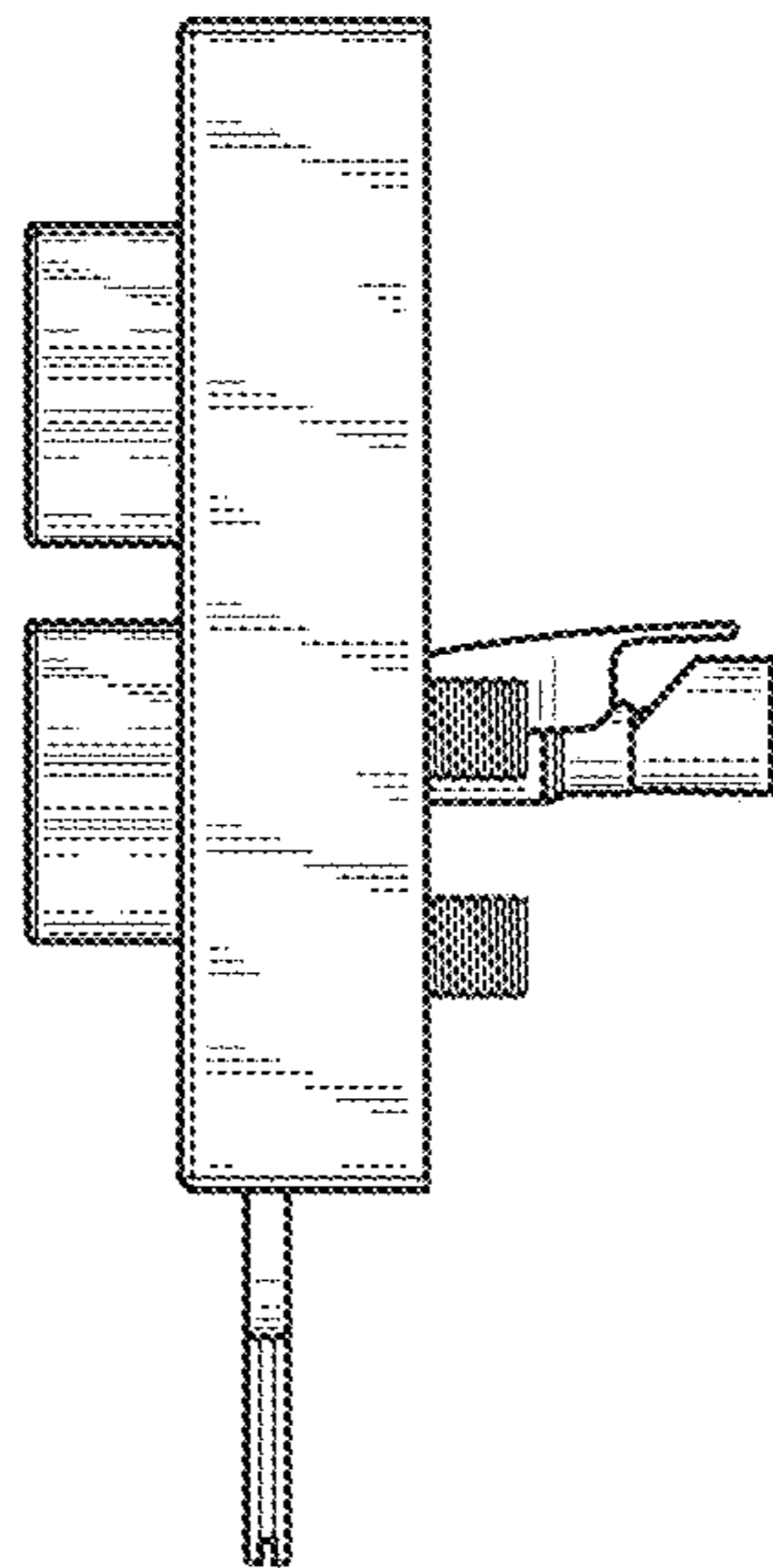


Fig. 5

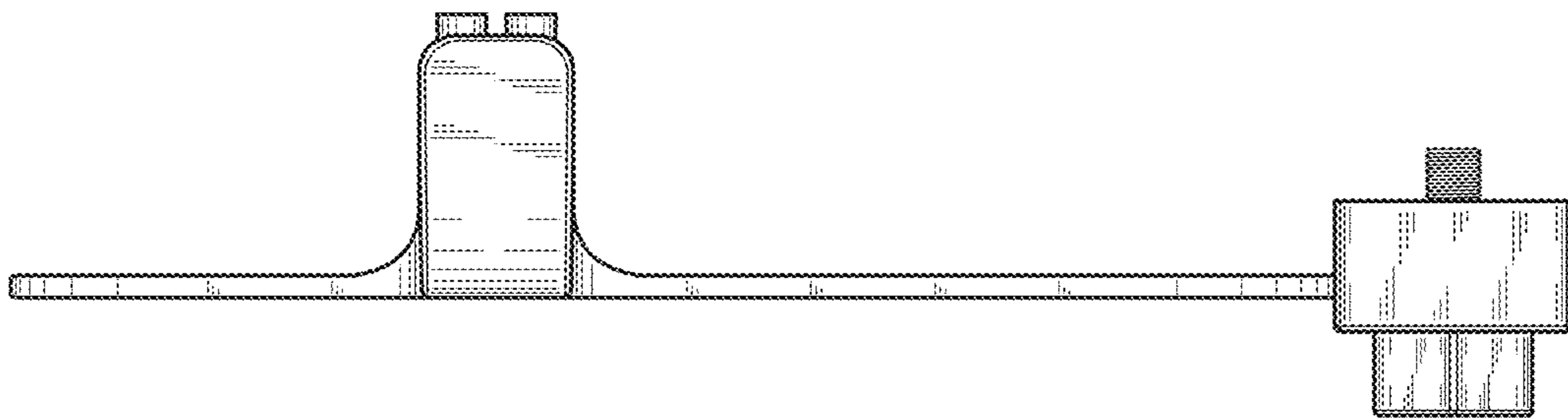


Fig. 6

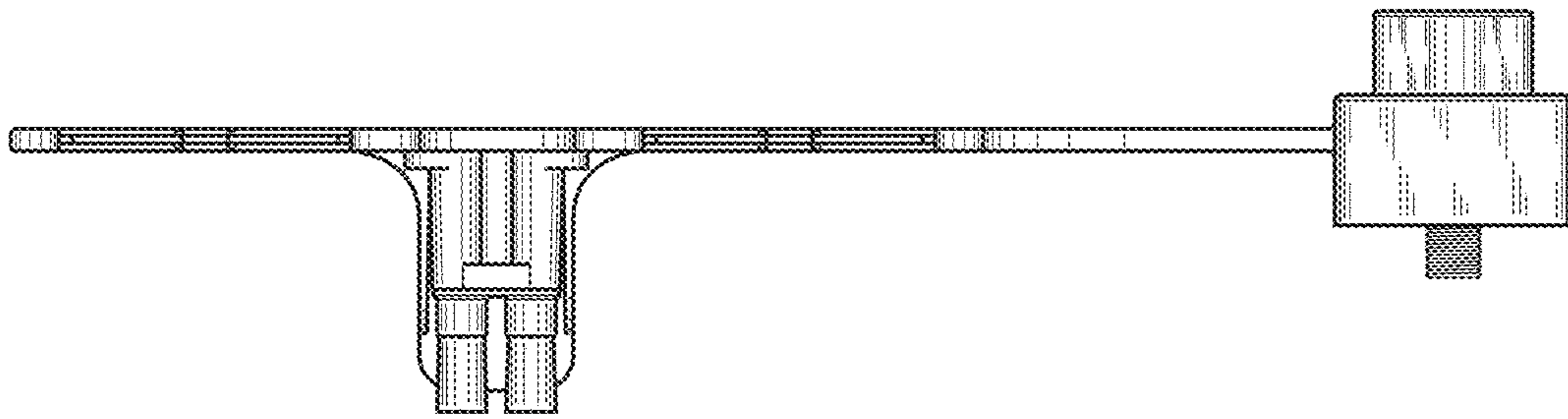


Fig. 7