



US00D988486S

(12) **United States Design Patent**
Chen

(10) **Patent No.:** **US D988,486 S**

(45) **Date of Patent:** **** Jun. 6, 2023**

(54) **BIDET**

(71) Applicant: **Xiamen Aquatown Technology Co., Ltd, Xiamen (CN)**

(72) Inventor: **Zhanxian Chen, Xiamen (CN)**

(73) Assignee: **Xiamen Aquatown Technology Co., Ltd, Xiamen (CN)**

(**) Term: **15 Years**

(21) Appl. No.: **29/799,079**

(22) Filed: **Jul. 13, 2021**

(30) **Foreign Application Priority Data**

Feb. 26, 2021 (CN) 202130107871.4

(51) **LOC (14) Cl.** **23-06**

(52) **U.S. Cl.**
USPC **D23/309**

(58) **Field of Classification Search**
USPC D23/295, 303, 309-311
CPC B05B 9/03; B05B 15/55; E03D 9/005;
E03D 9/08
See application file for complete search history.

(56) **References Cited**

U.S. PATENT DOCUMENTS

4,383,339	A *	5/1983	Miller	E03D 9/08
					4/443
D714,428	S *	9/2014	Gupta	D23/309
D882,053	S *	4/2020	Gupta	D23/309
D885,539	S *	5/2020	Yan	D23/309
D889,615	S *	7/2020	Jiang	D23/309
D890,314	S *	7/2020	Yan	D23/309
D897,507	S *	9/2020	Agrawal	D23/309
D917,030	S *	4/2021	Yan	D23/309
D937,396	S *	11/2021	Yan	D23/309
2014/0101838	A1 *	4/2014	Gupta	B05B 15/16
					4/448

2018/0209129	A1 *	7/2018	He	E03D 9/08
2020/0318334	A1 *	10/2020	Gupta	E03D 9/08
2020/0318335	A1 *	10/2020	Gupta	B05B 9/03
2021/0040719	A1 *	2/2021	Gupta	E03D 9/08
2022/0162843	A1 *	5/2022	Gupta	B05B 9/03

FOREIGN PATENT DOCUMENTS

CN	303989439	*	12/2016
EM	007970843-0004	*	9/2020

OTHER PUBLICATIONS

Bath & Bum Bidet, announced Aug. 9, 2021 [online], [site visited Oct. 19, 2022]. Available from internet, URL:<<https://www.amazon.com/dp/B09C5CKWMV>> (Year: 2021).*

* cited by examiner

Primary Examiner — David G Muller

Assistant Examiner — Jamaal Rasheed

(74) *Attorney, Agent, or Firm* — Bayramoglu Law Offices LLC

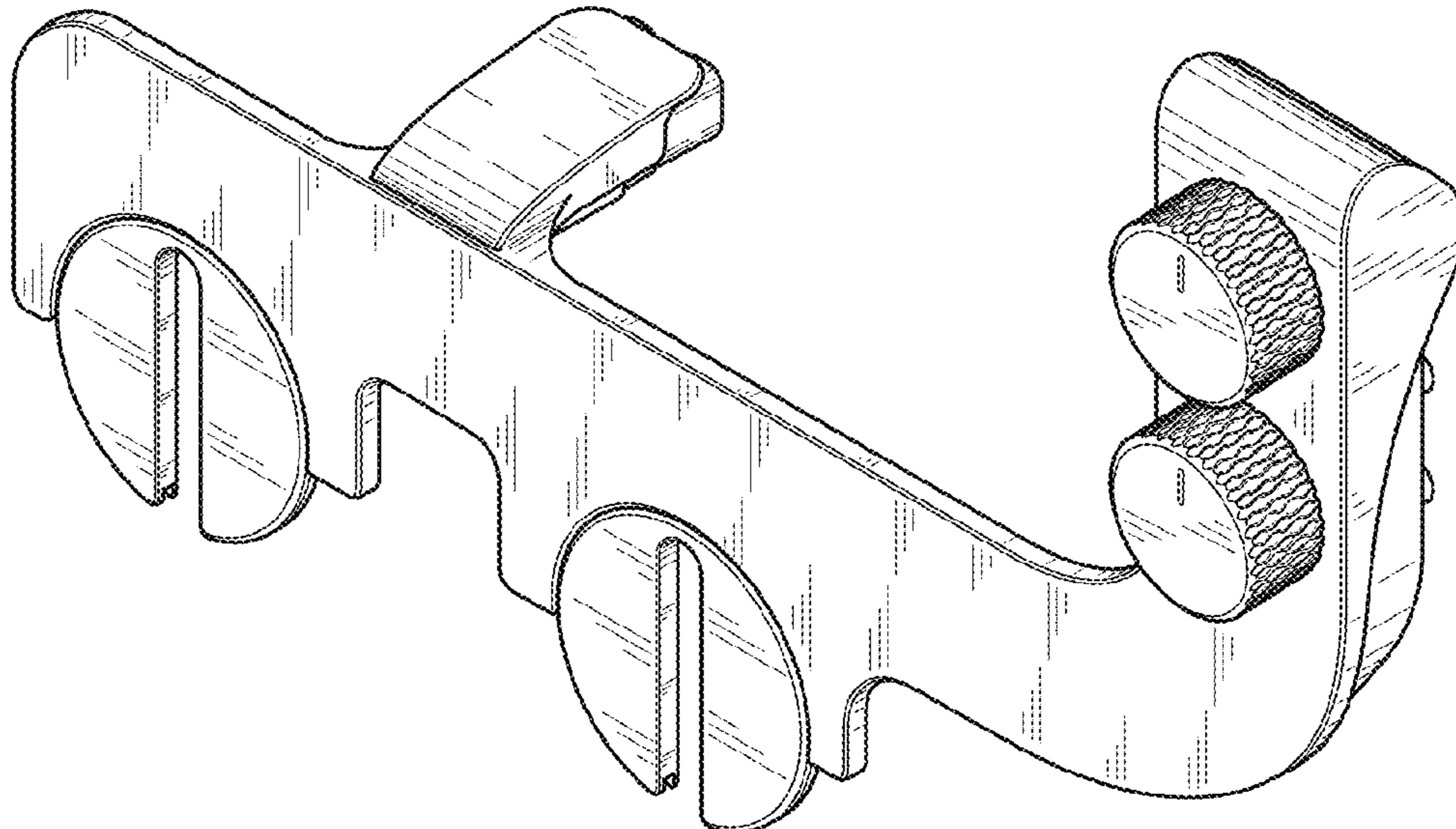
(57) **CLAIM**

The ornamental design for a bidet, as shown and described.

DESCRIPTION

FIG. 1 is a perspective view of a bidet showing my new design;
FIG. 2 is a front view thereof;
FIG. 3 is a rear view thereof;
FIG. 4 is a left side view thereof;
FIG. 5 is a right side view thereof;
FIG. 6 is a top view thereof; and,
FIG. 7 is a bottom view thereof.
The broken lines in the drawing disclosure depict portions of the bidet that form no part of the claimed design.

1 Claim, 7 Drawing Sheets



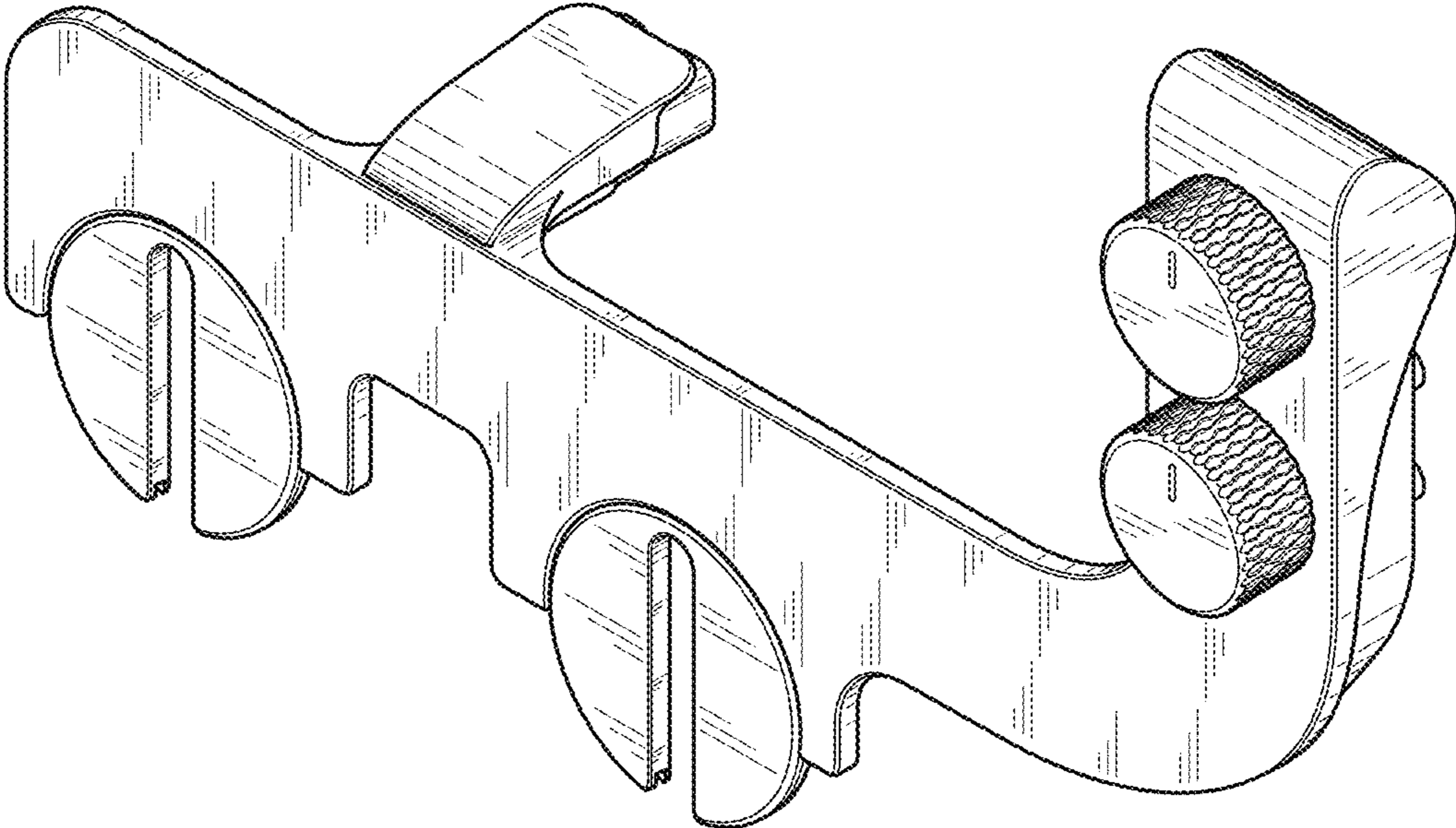


Fig. 1

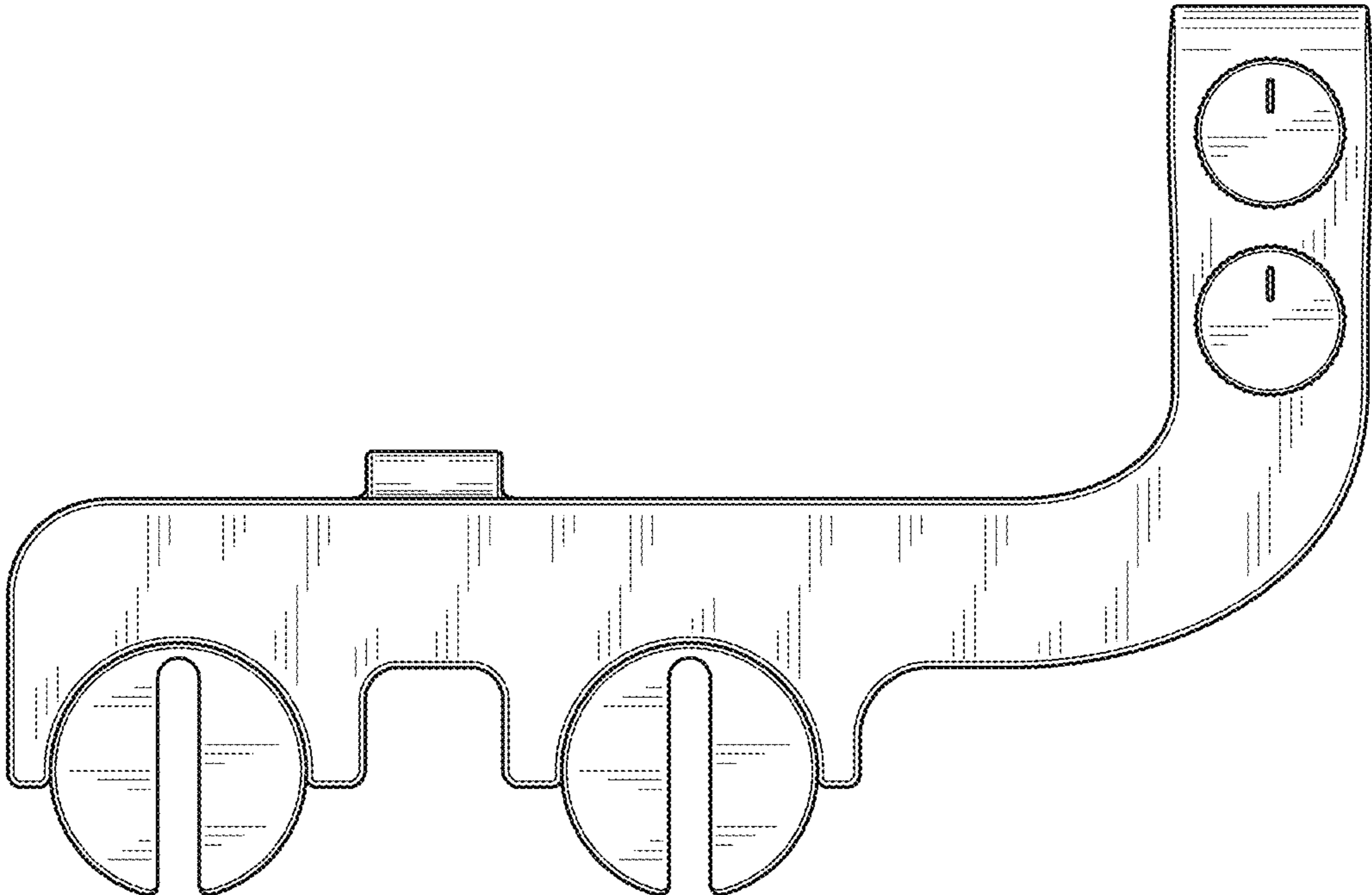


Fig. 2

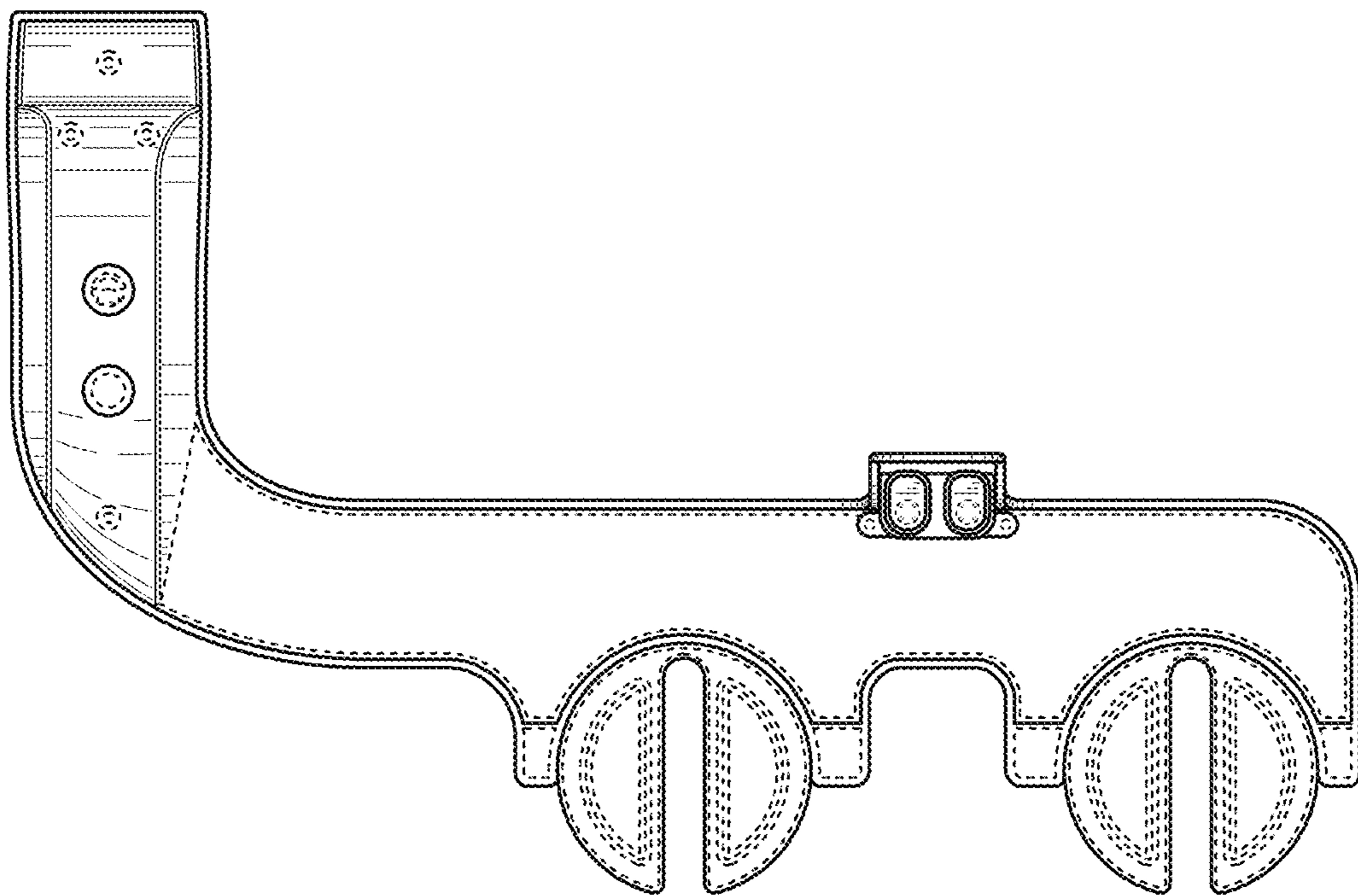


Fig. 3

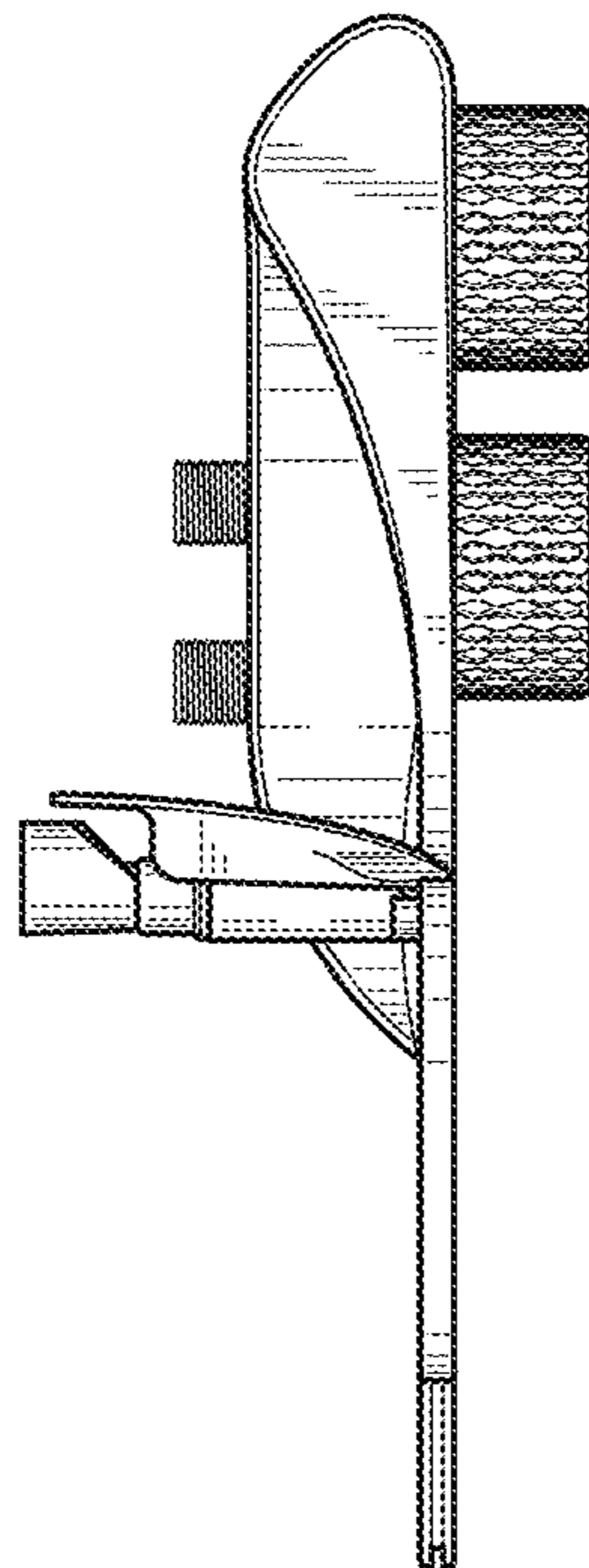


Fig. 4

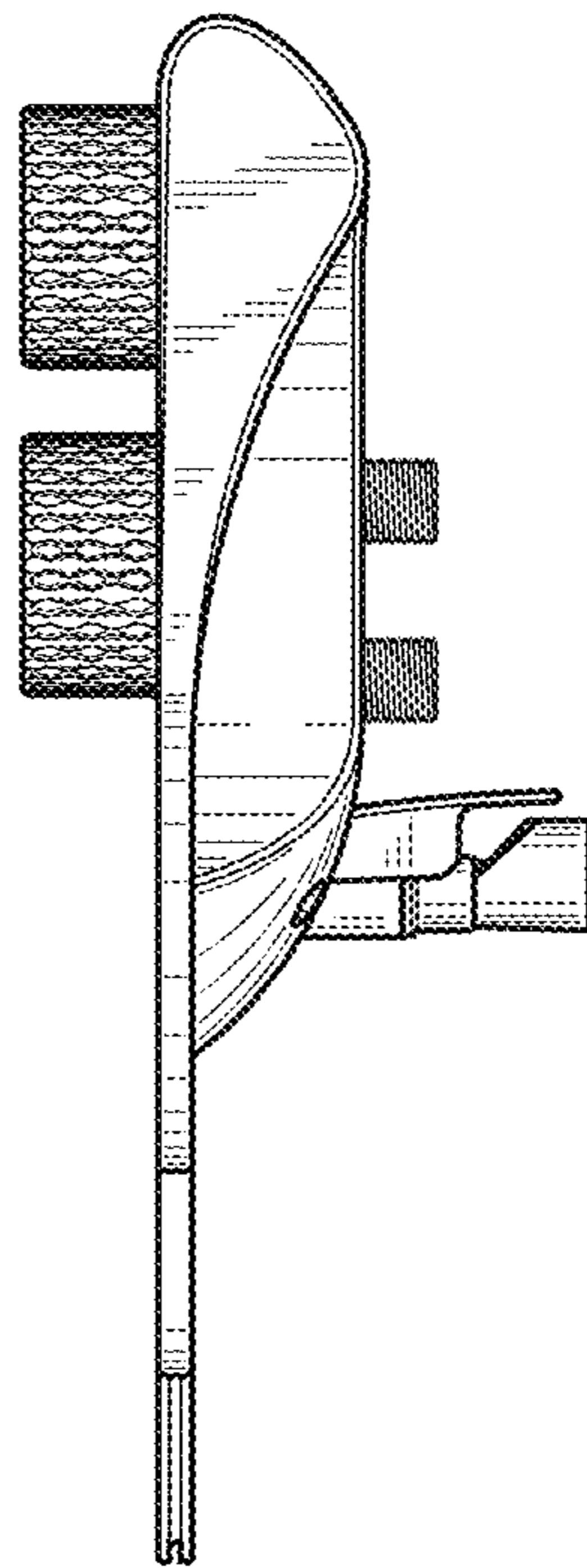


Fig. 5

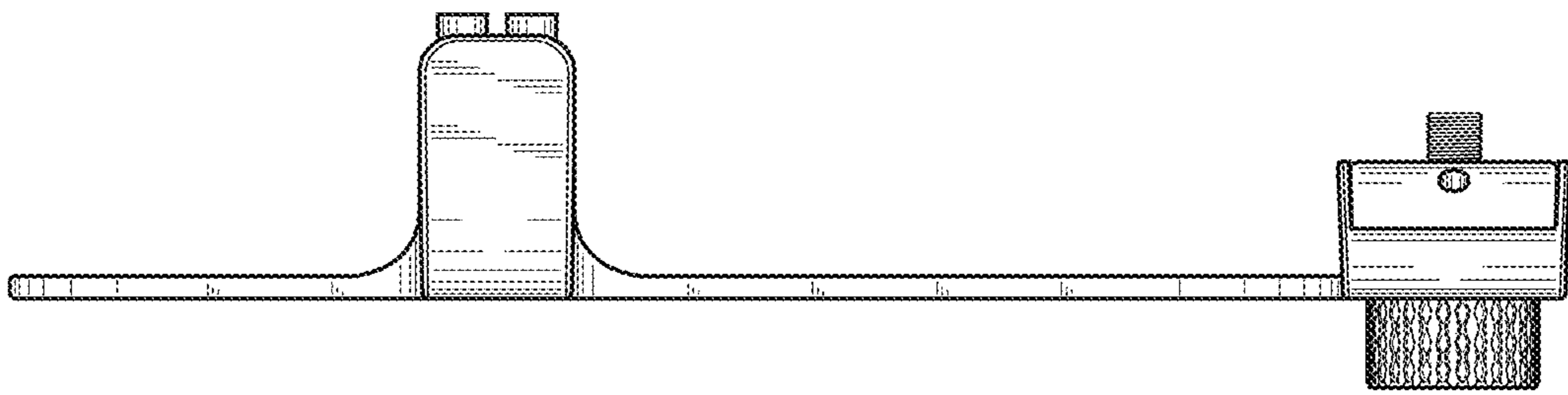


Fig. 6

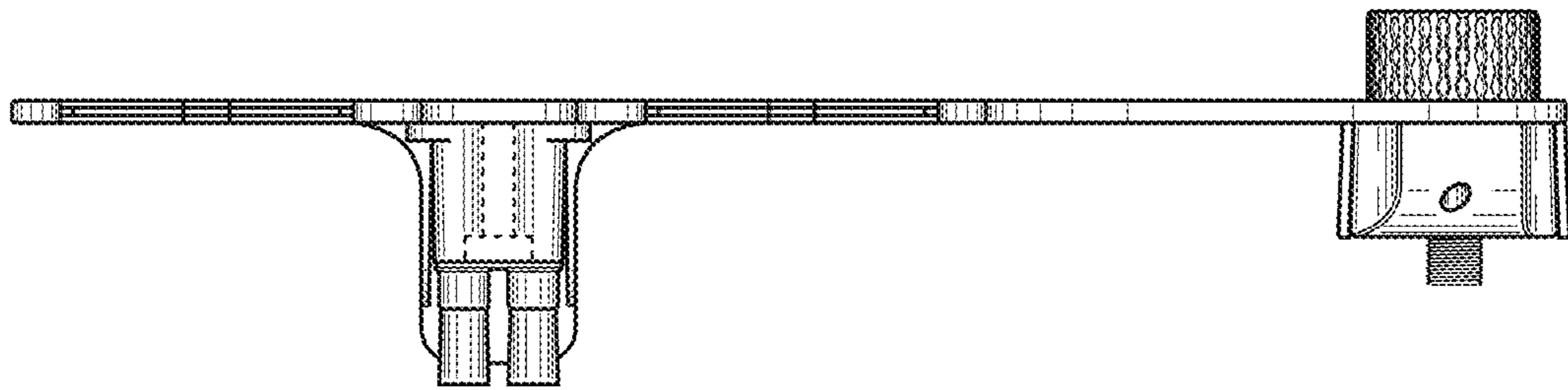


Fig. 7