



US00D988485S

(12) **United States Design Patent** (10) **Patent No.:** **US D988,485 S**  
**Volman** (45) **Date of Patent:** **\*\* Jun. 6, 2023**

(54) **PORTABLE FOLDING TOILET SEAT WITH A RING**

FOREIGN PATENT DOCUMENTS

(71) Applicant: **Schneur David Volman**, Jerusalem (IL)

CN	303989383	* 12/2016
CN	304505949	* 2/2018
CN	304515453	* 2/2018

(72) Inventor: **Schneur David Volman**, Jerusalem (IL)

OTHER PUBLICATIONS

(\*\*) Term: **15 Years**

Portable Folding Toilet Seat, announced Feb. 14, 2021 [online], [site visited Sep. 22, 2022]. Available from internet, URL:<<https://www.amazon.com/dp/B08LNBVZ7B>> (Year: 2021).\*

(21) Appl. No.: **29/761,035**

FamilyGroup Folding Portable Toilet Seat—Comfort Chair with Lid, announced Nov. 5, 2020[online], [site visited Sep. 22, 2022]. Available from internet, URL:<<https://www.amazon.com/dp/B08MVGBQLF>> (Year: 2020).\*

(22) Filed: **Dec. 7, 2020**

(51) **LOC (14) Cl.** ..... **23-02**

(52) **U.S. Cl.**  
USPC ..... **D23/299**

(58) **Field of Classification Search**  
USPC ..... D23/278–279, 295–303, 309, 311, 499  
CPC ..... A47K 11/04  
See application file for complete search history.

\* cited by examiner

*Primary Examiner* — Jae Liang  
*Assistant Examiner* — Jamaal Rasheed  
(74) *Attorney, Agent, or Firm* — Willie Jacques; Emanus, LLC

(56) **References Cited**

(57) **CLAIM**

The ornamental design for a portable folding toilet seat with a ring, as shown and described.

U.S. PATENT DOCUMENTS

**DESCRIPTION**

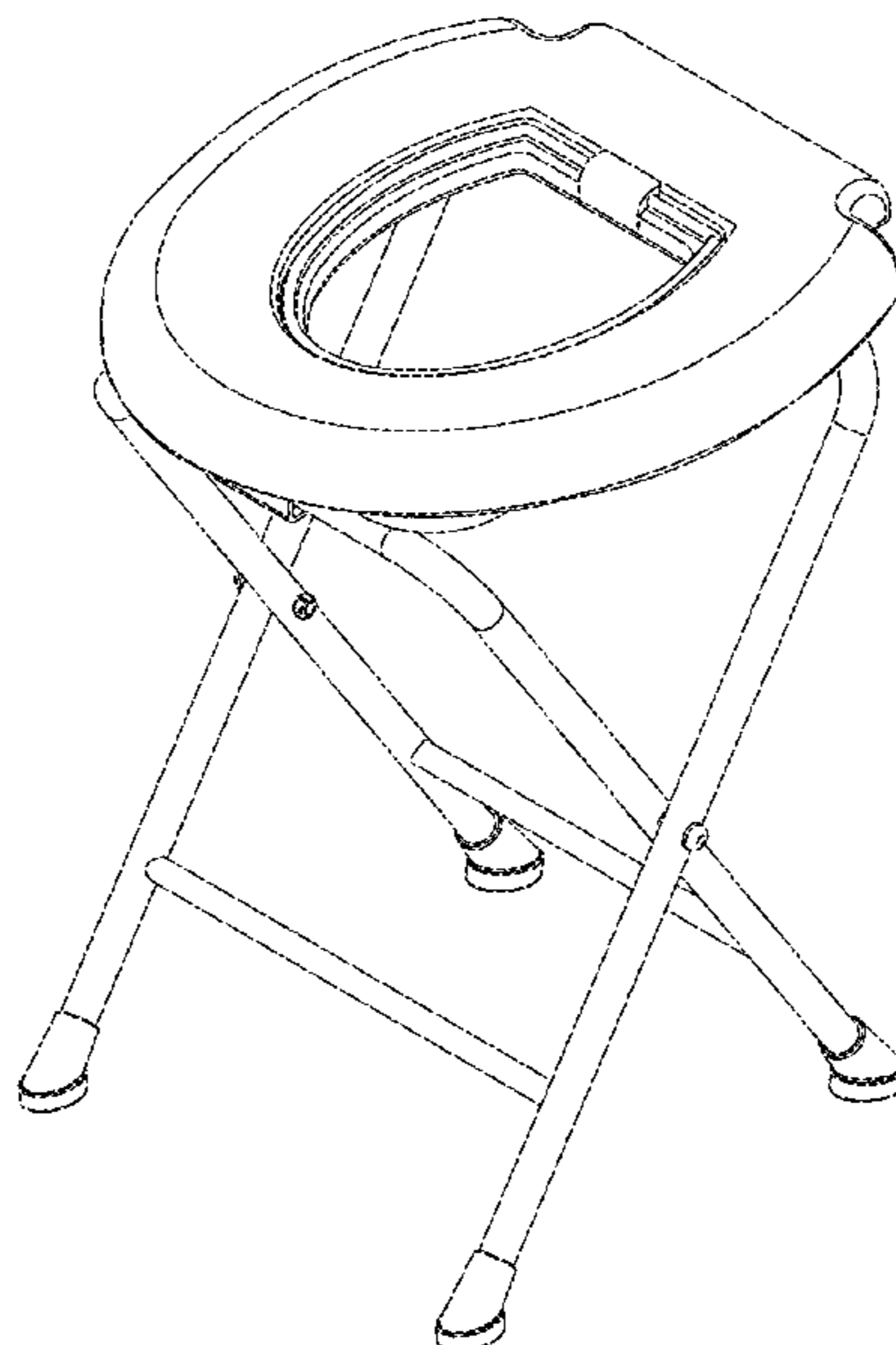
3,063,061	A *	11/1962	Bertram	.....	A47K 11/06 4/484
3,950,794	A *	4/1976	Dalton	.....	A47K 11/02 4/240
D268,781	S *	4/1983	Battiston, Jr.	.....	D23/299
6,233,753	B1 *	5/2001	Battiston	.....	A47K 11/04 4/240
D472,620	S	4/2003	Phillips		
D520,616	S	5/2006	Sharp		
D557,772	S *	12/2007	Simonsson	.....	D23/299
D591,408	S	4/2009	Sato et al.		
D595,967	S	7/2009	Parsons		
D625,795	S	10/2010	Sexton		
D660,024	S	5/2012	Castle		
8,627,518	B1 *	1/2014	Lederer	.....	A47K 11/04 4/441
D895,077	S *	9/2020	Festa	.....	D23/278
D944,949	S *	3/2022	Pei	.....	D23/299

FIG. 1 is a perspective view of a portable folding toilet seat with a ring wherein the ring is in a closed position, showing my new design;

FIG. 2 is a perspective view of the portable folding toilet seat with a ring wherein the ring is in an open position thereof; FIG. 3 is a front view of FIG. 2 thereof; FIG. 4 is a rear view of FIG. 2 thereof; FIG. 5 is a left side view of FIG. 2 thereof; FIG. 6 is a right side view of FIG. 2 thereof; FIG. 7 is a top view of FIG. 2 thereof; and, FIG. 8 is a bottom view of FIG. 2 thereof.

The portions illustrated by broken lines in FIG. 8 form no part of the claimed design.

**1 Claim, 8 Drawing Sheets**



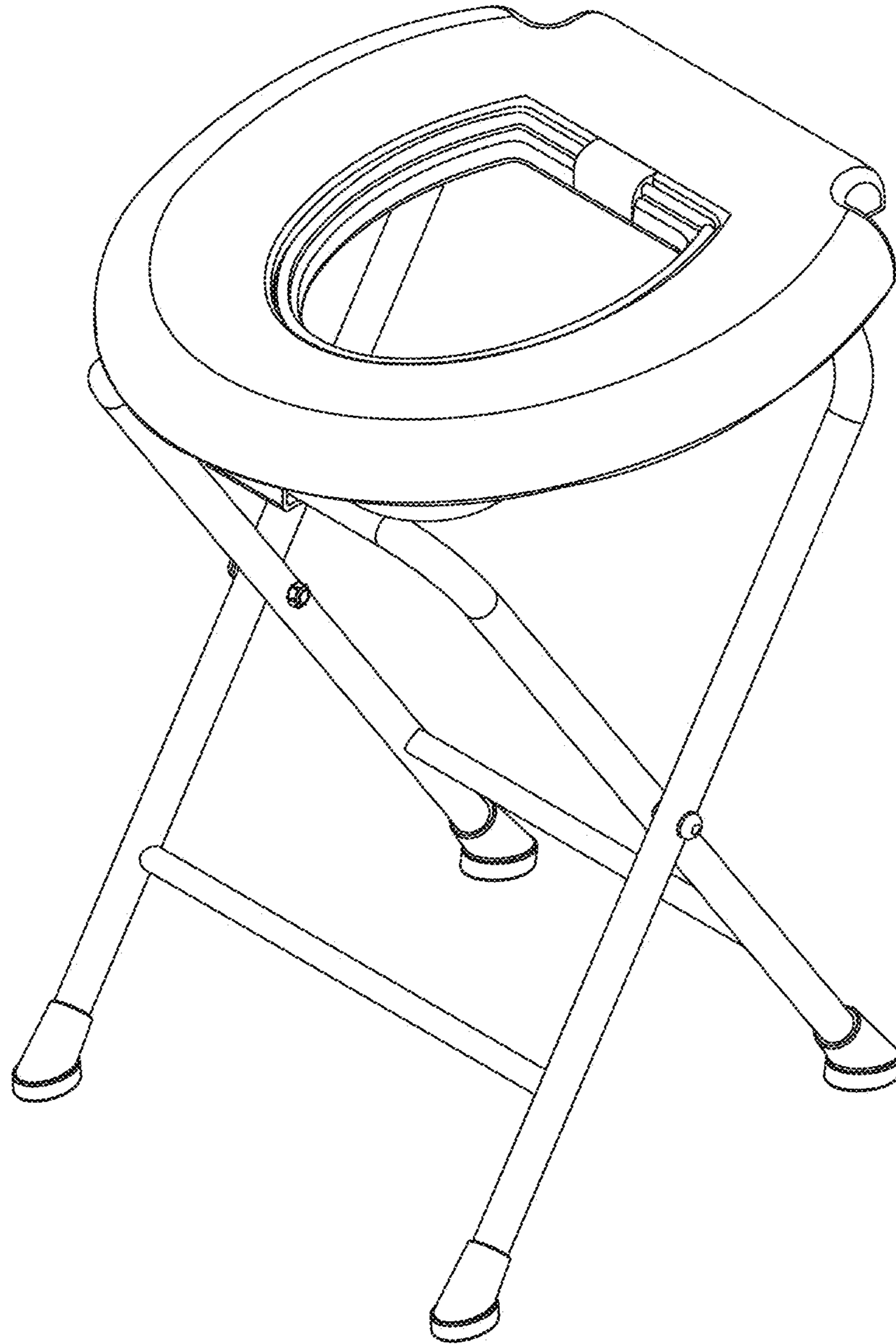


FIG. 1

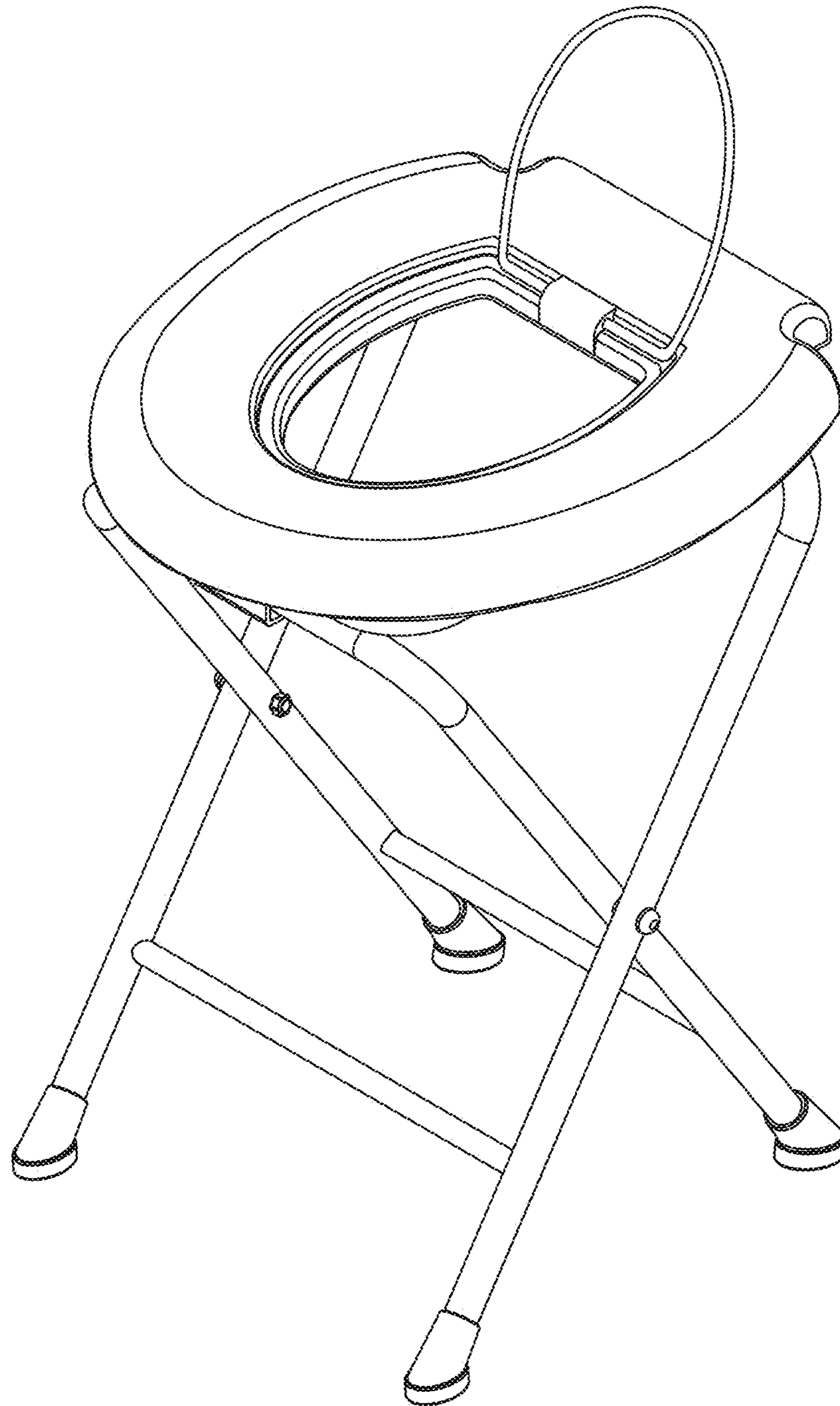


FIG. 2

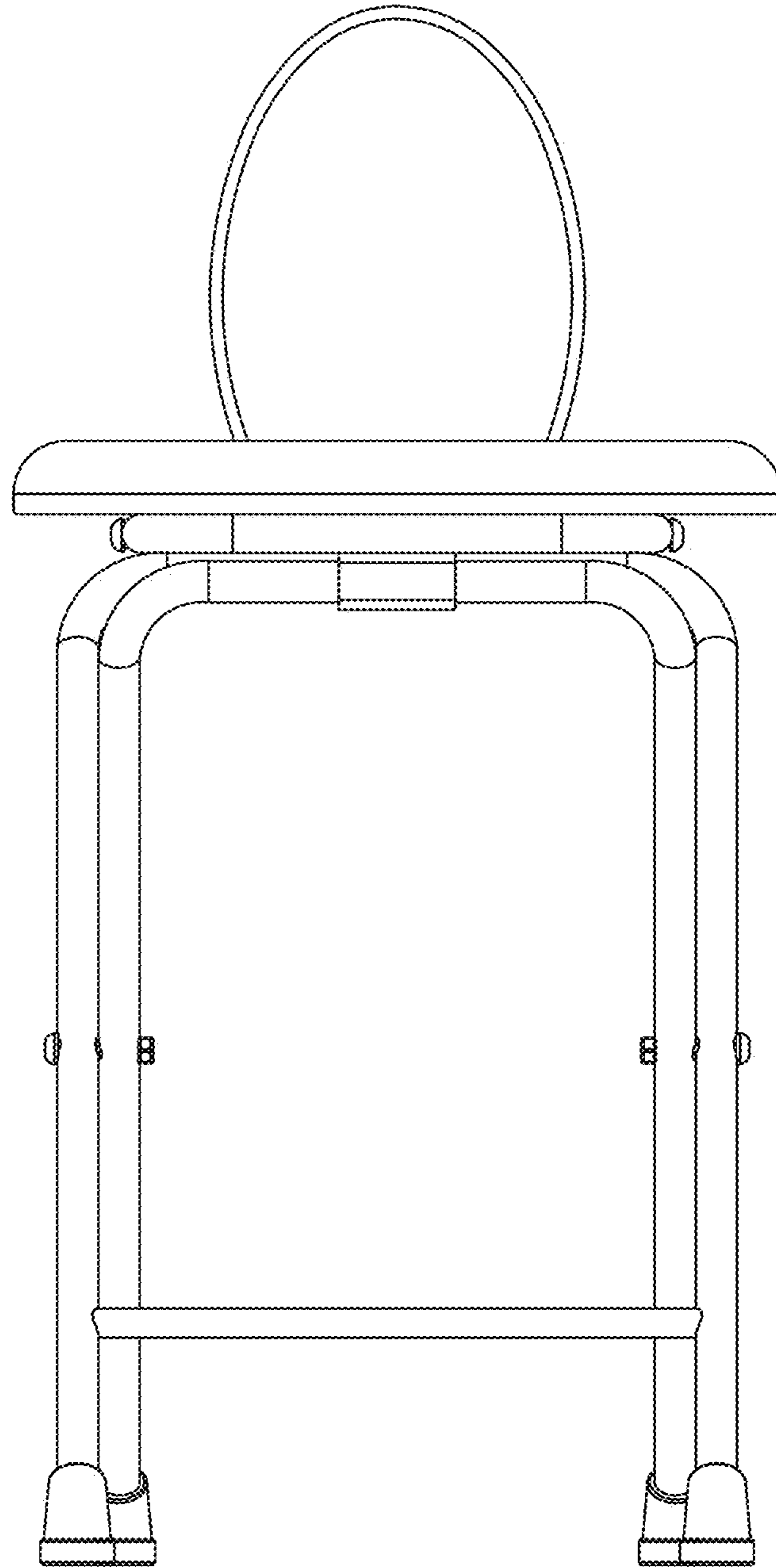


FIG. 3

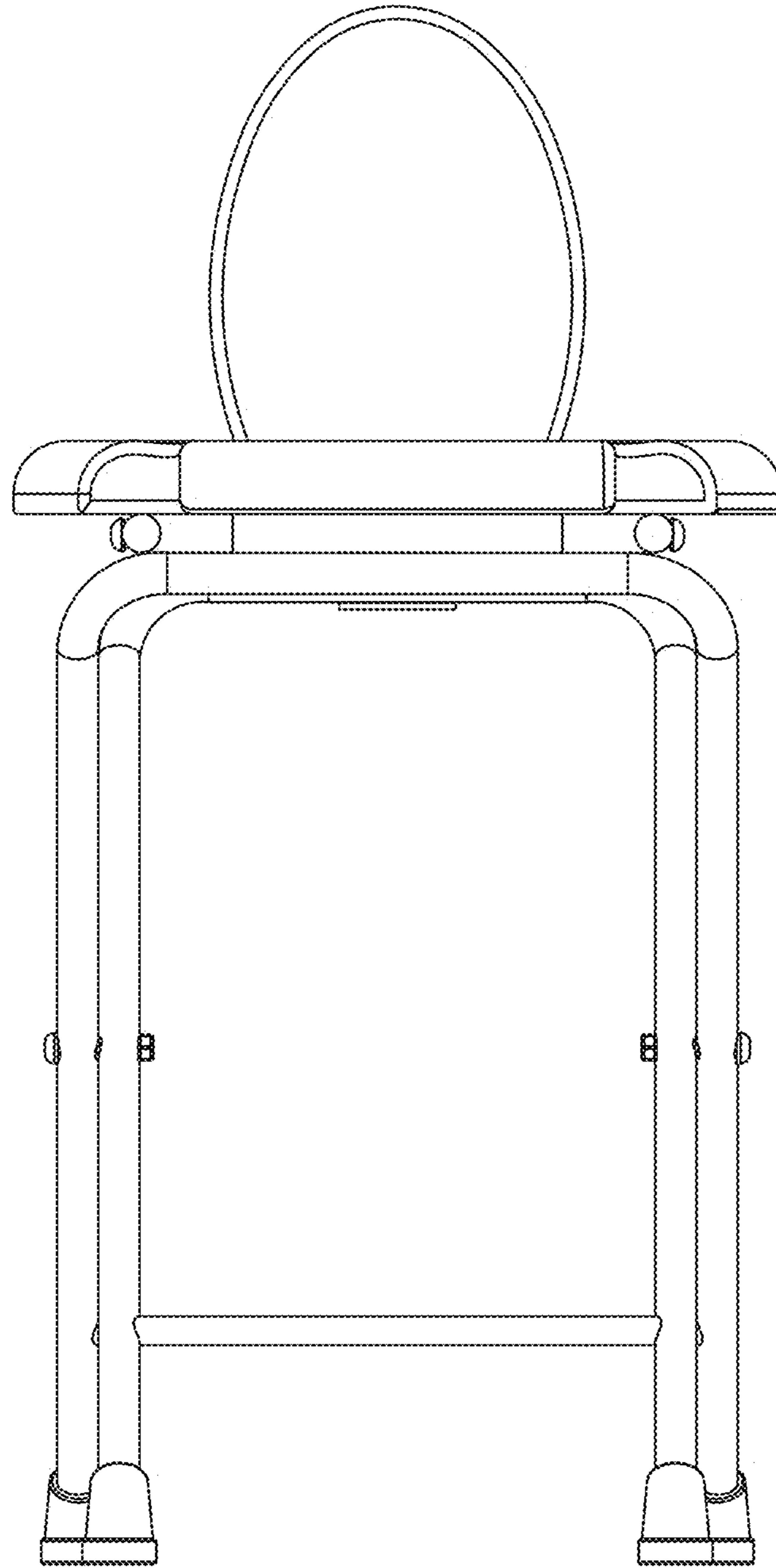


FIG. 4



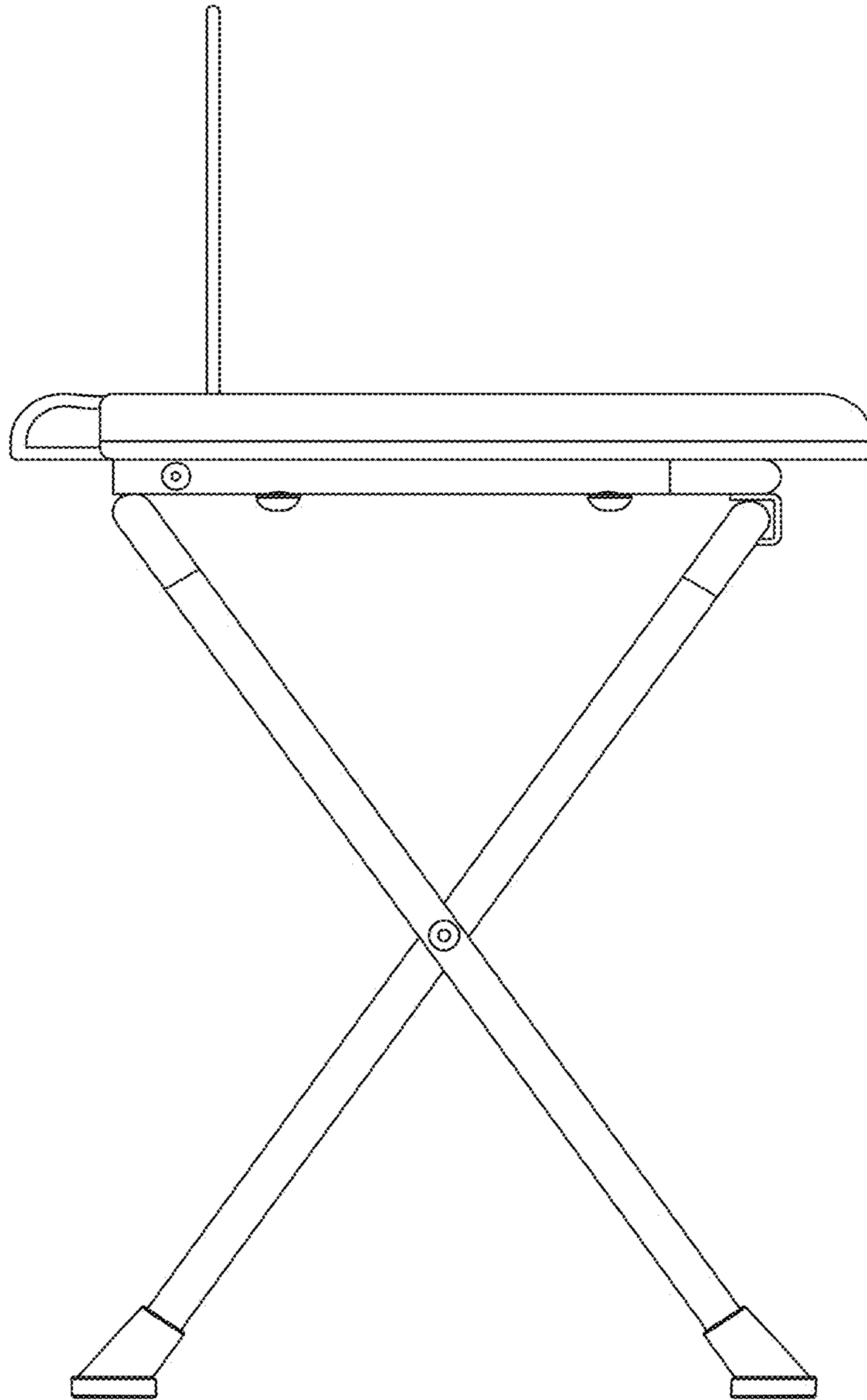


FIG. 5

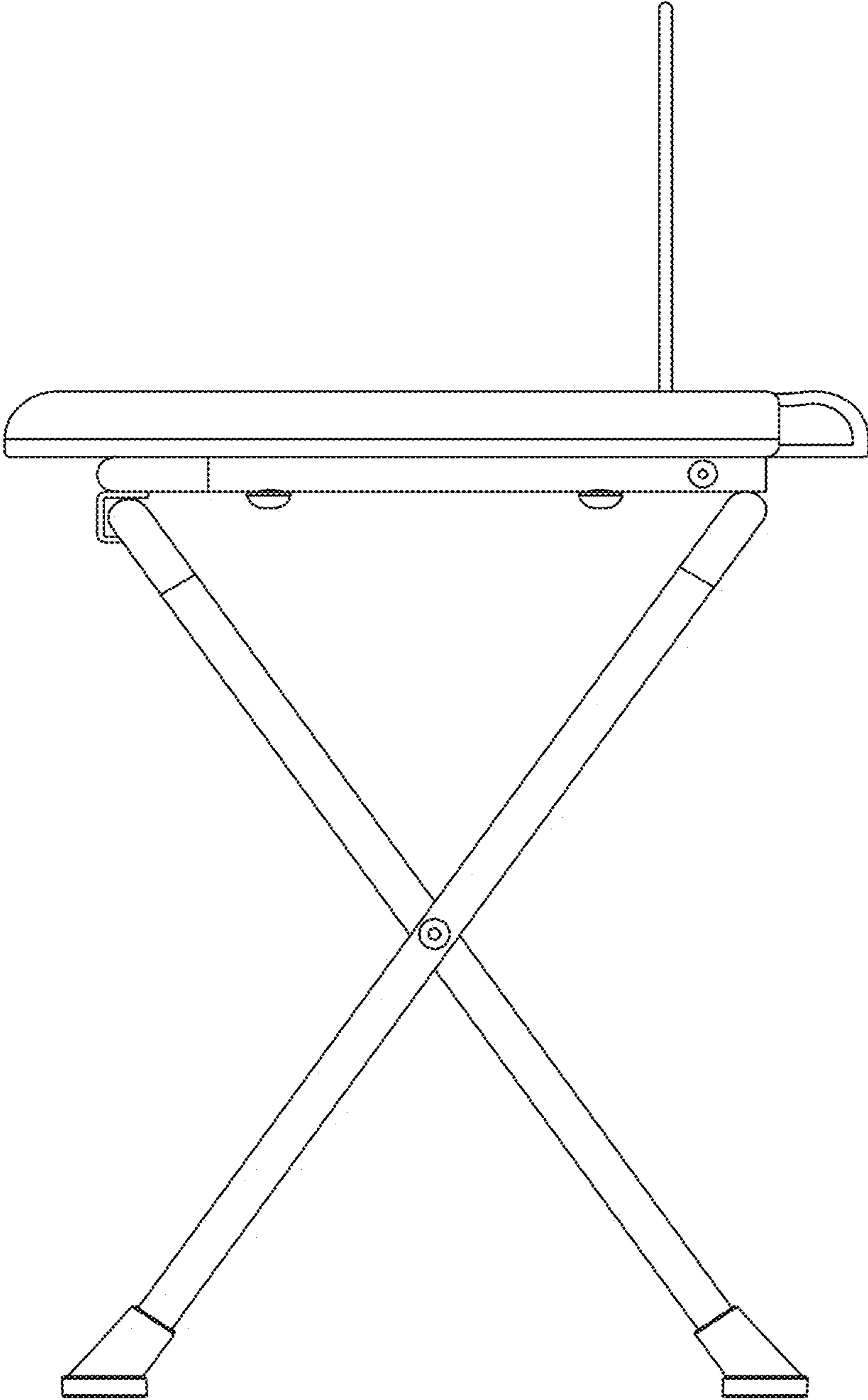


FIG. 6

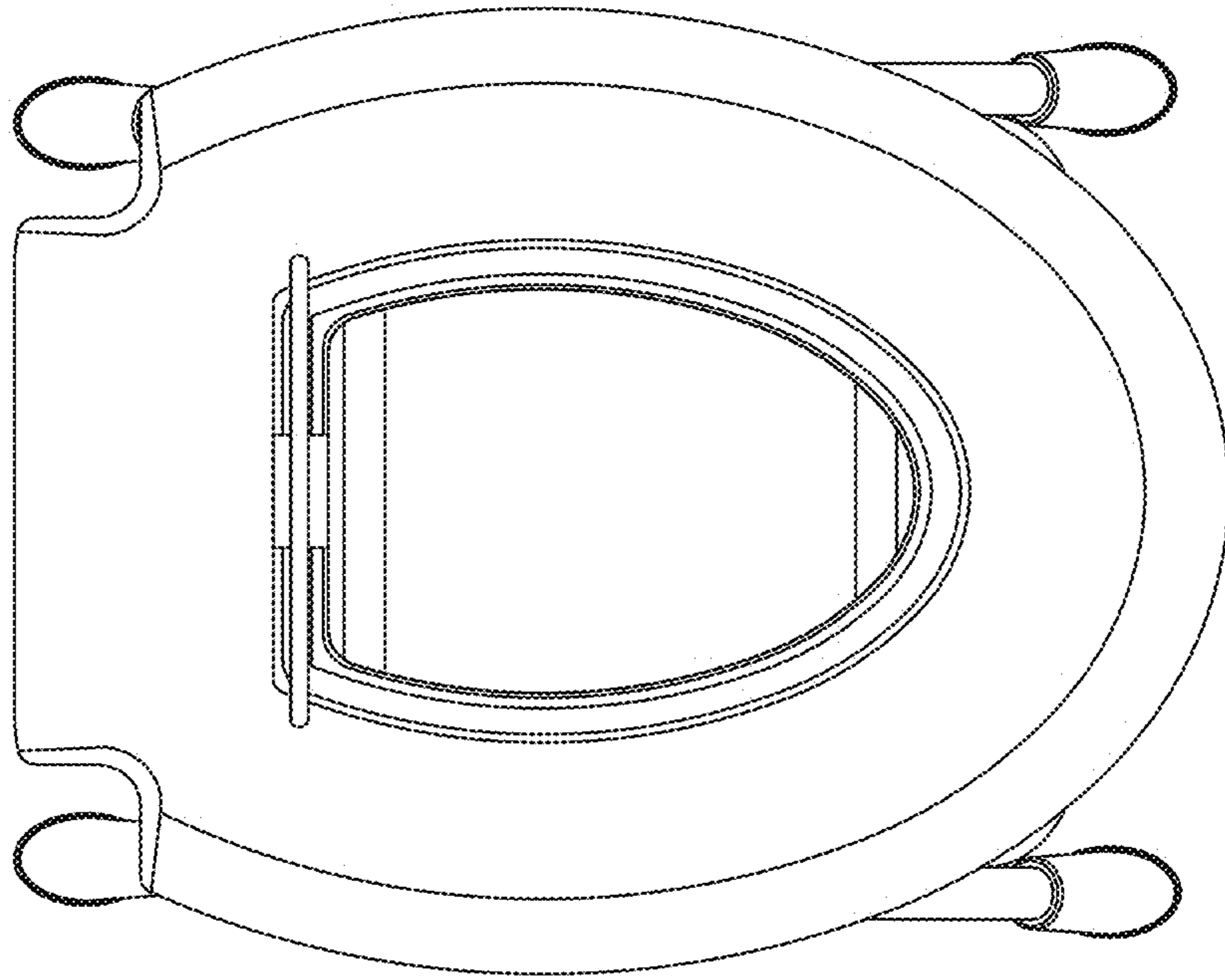


FIG. 7



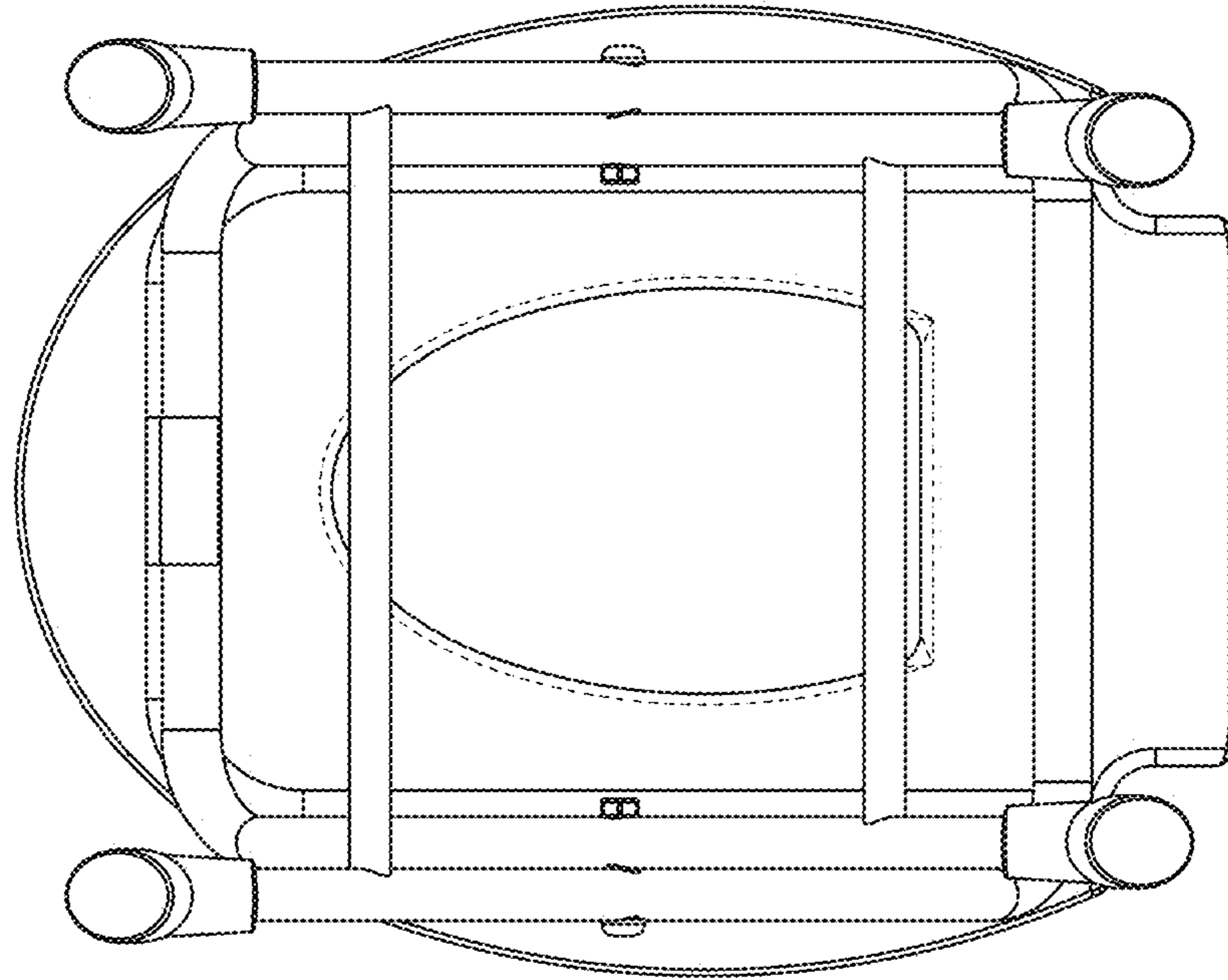


FIG. 8