



US00D988484S

(12) **United States Design Patent**
Yang

(10) **Patent No.:** **US D988,484 S**

(45) **Date of Patent:** **** Jun. 6, 2023**

(54) **POTTY TRAINING SEAT**

(71) Applicant: **Saisai Yang**, Taizhou (CN)

(72) Inventor: **Saisai Yang**, Taizhou (CN)

(**) Term: **15 Years**

(21) Appl. No.: **29/869,685**

(22) Filed: **Jan. 6, 2023**

(30) **Foreign Application Priority Data**

Jul. 26, 2022 (CN) 202230480796.0

(51) **LOC (14) Cl.** **23-02**

(52) **U.S. Cl.**
USPC **D23/296**

(58) **Field of Classification Search**
USPC D23/296, 299, 309, 311
See application file for complete search history.

(56) **References Cited**

U.S. PATENT DOCUMENTS

- D271,708 S * 12/1983 DeGraw D23/299
- D473,636 S * 4/2003 Barry D23/296
- D487,138 S * 2/2004 Billsund D23/295
- D884,845 S * 5/2020 Yang D23/296
- D888,208 S * 6/2020 Yang D23/296

- D892,284 S * 8/2020 Healy D23/296
- D918,354 S 5/2021 Xu
- 11,330,942 B1 * 5/2022 Bergman A47K 11/04
- D975,250 S * 1/2023 Jiang D23/299

* cited by examiner

Primary Examiner — Robert A Delehanty

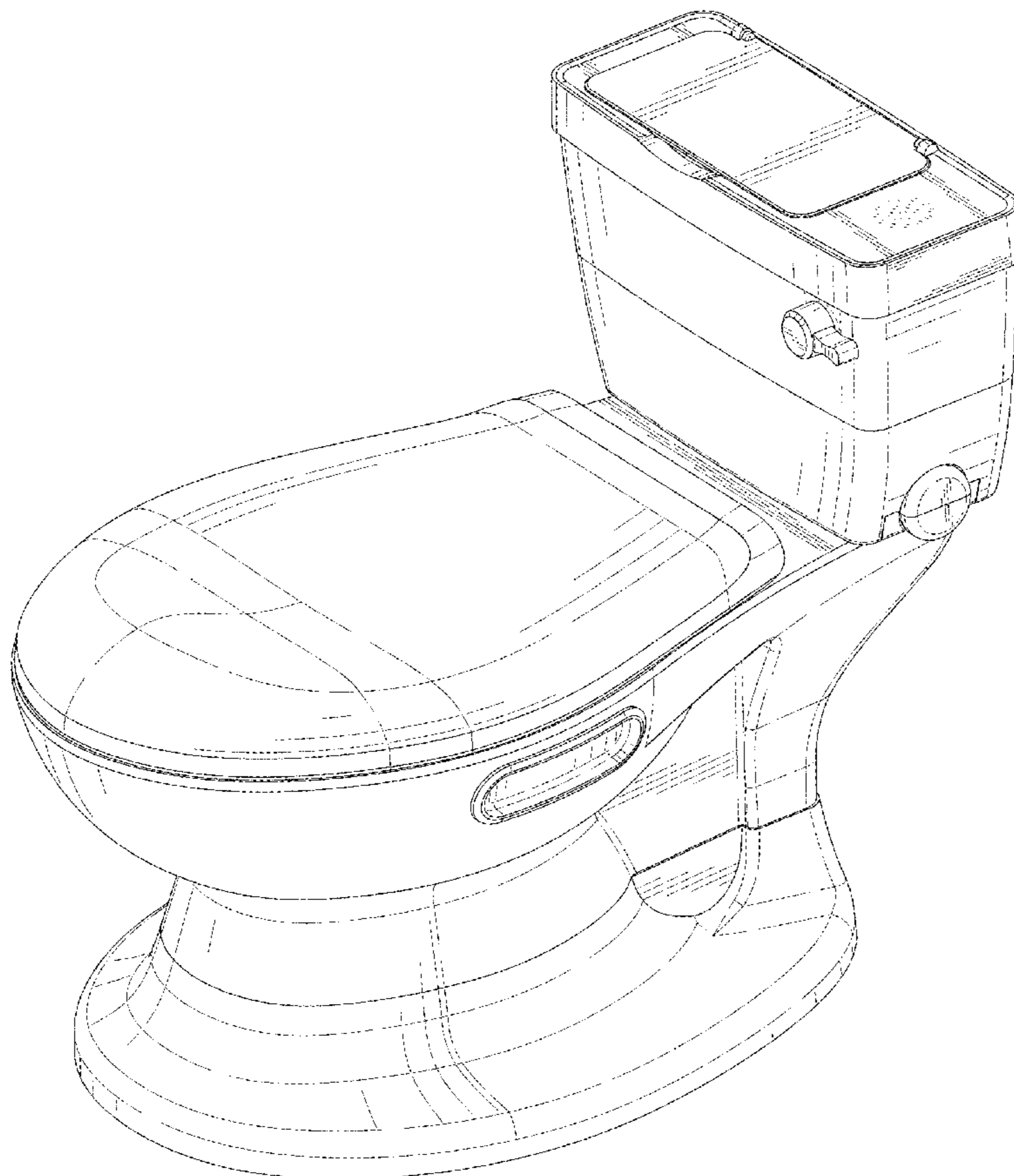
(57) **CLAIM**

The ornamental design for a potty training seat, as shown and described.

DESCRIPTION

FIG. 1 is a front and top perspective view of a potty training seat, showing my new design;
 FIG. 2 is a rear and bottom perspective view thereof;
 FIG. 3 is a front elevation view thereof;
 FIG. 4 is a rear elevation view thereof;
 FIG. 5 is a left side elevation view thereof;
 FIG. 6 is a right side elevation view thereof;
 FIG. 7 is a top plan view thereof;
 FIG. 8 is a bottom plan view thereof;
 FIG. 9 is another perspective view thereof, shown in a using position; and,
 FIG. 10 is another perspective view thereof, shown in an alternative position.
 The dashed lines in the figures illustrate portions of the potty training seat that form no part of the claimed design.

1 Claim, 10 Drawing Sheets



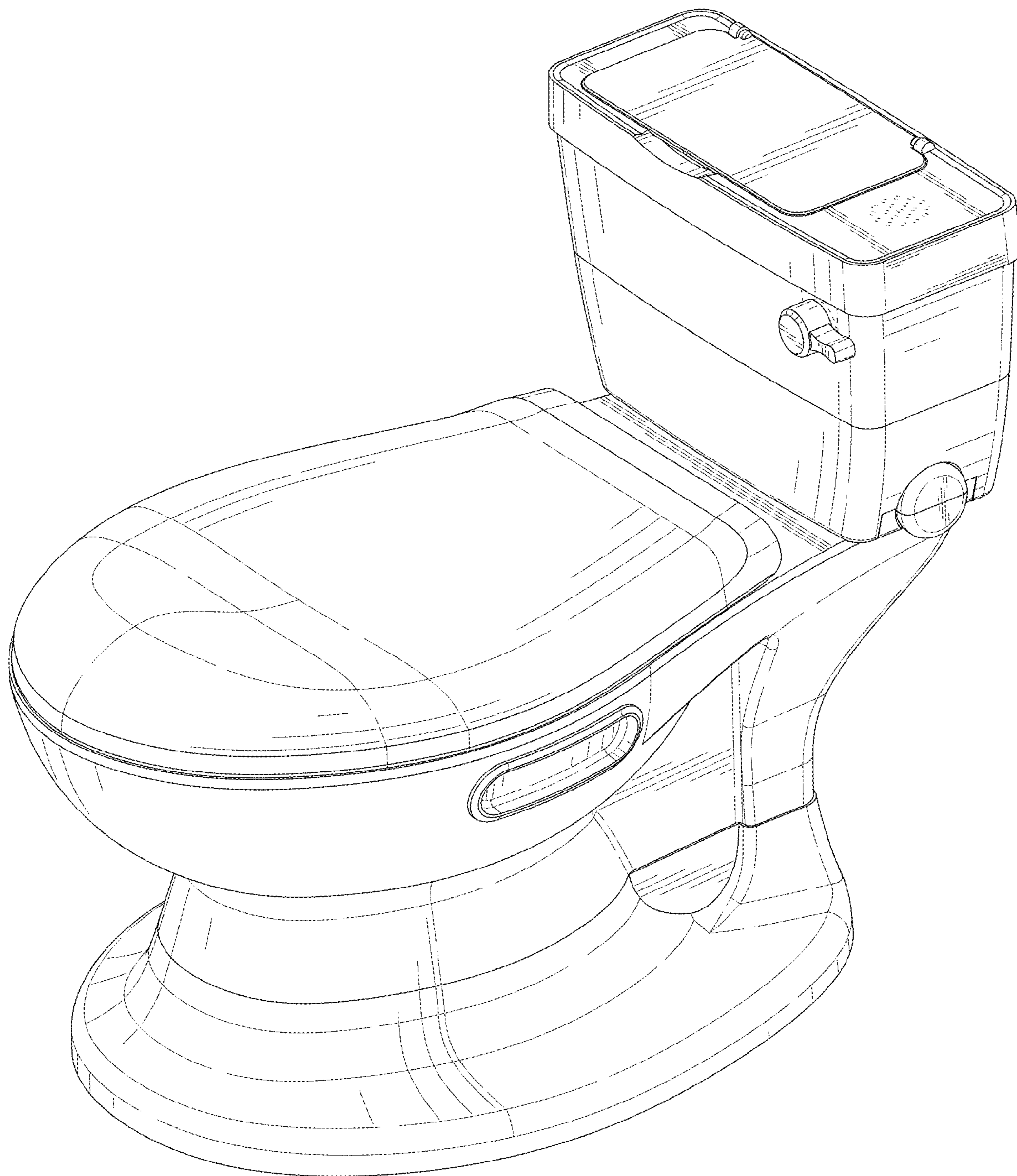


FIG. 1

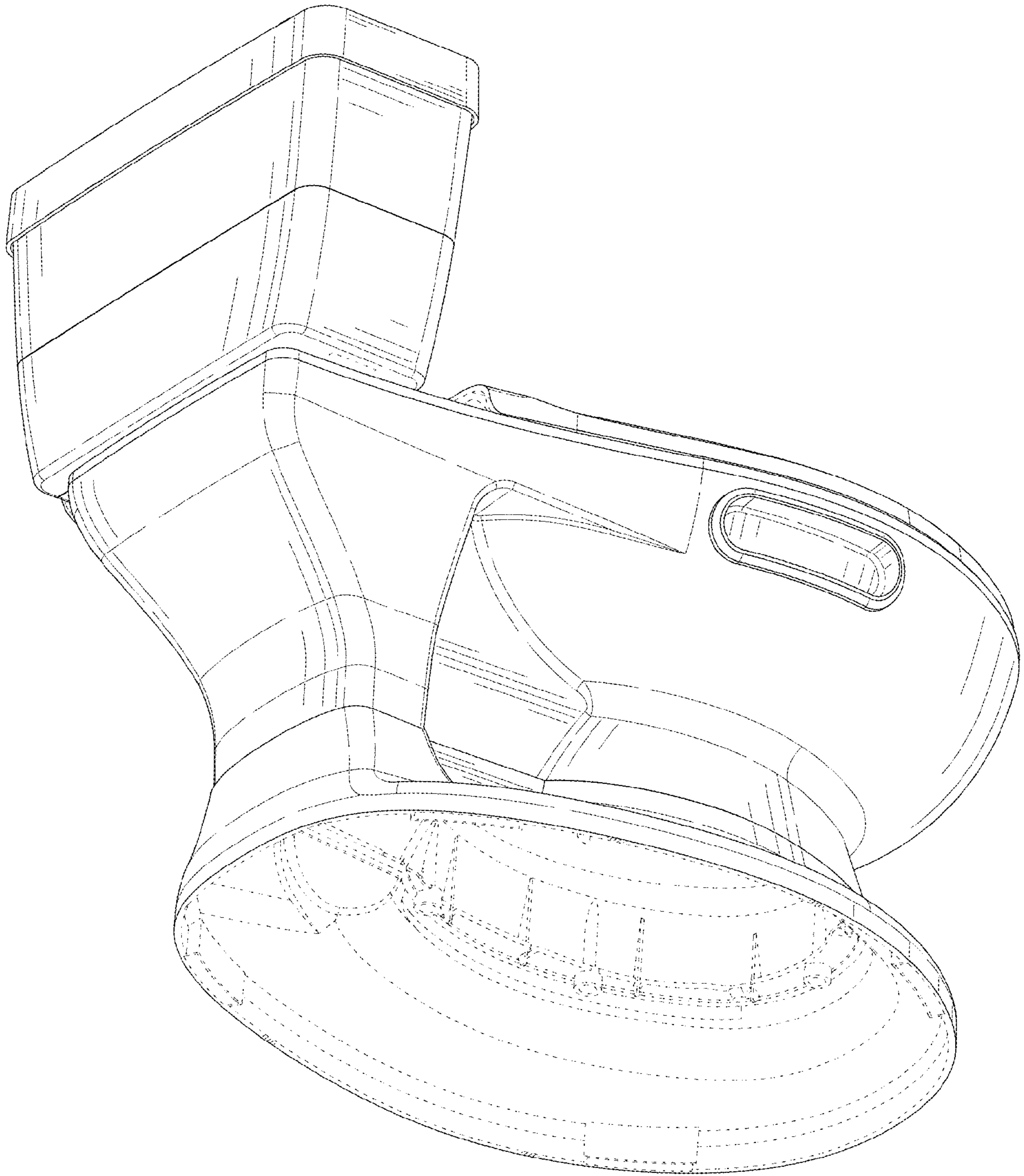


FIG. 2

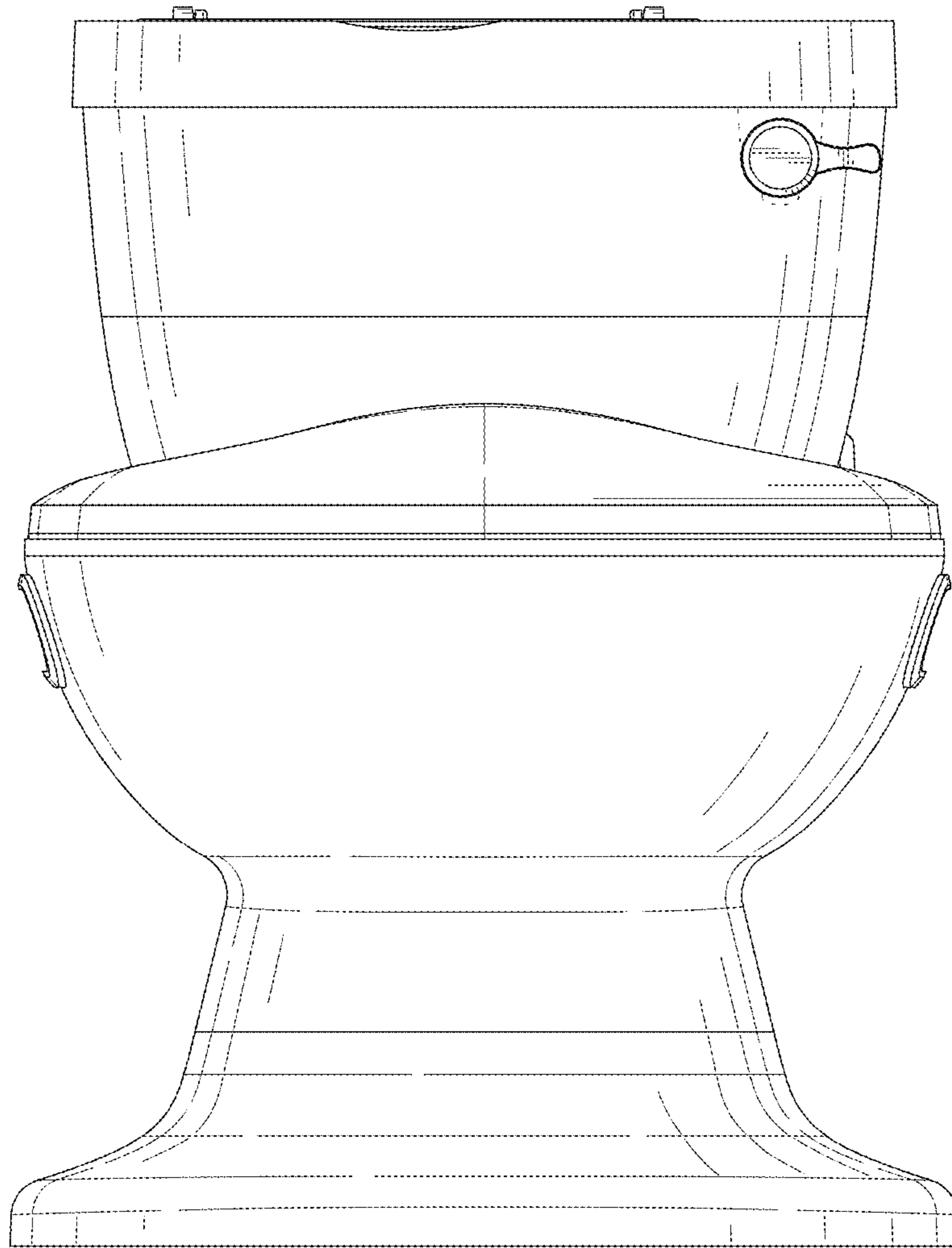


FIG. 3

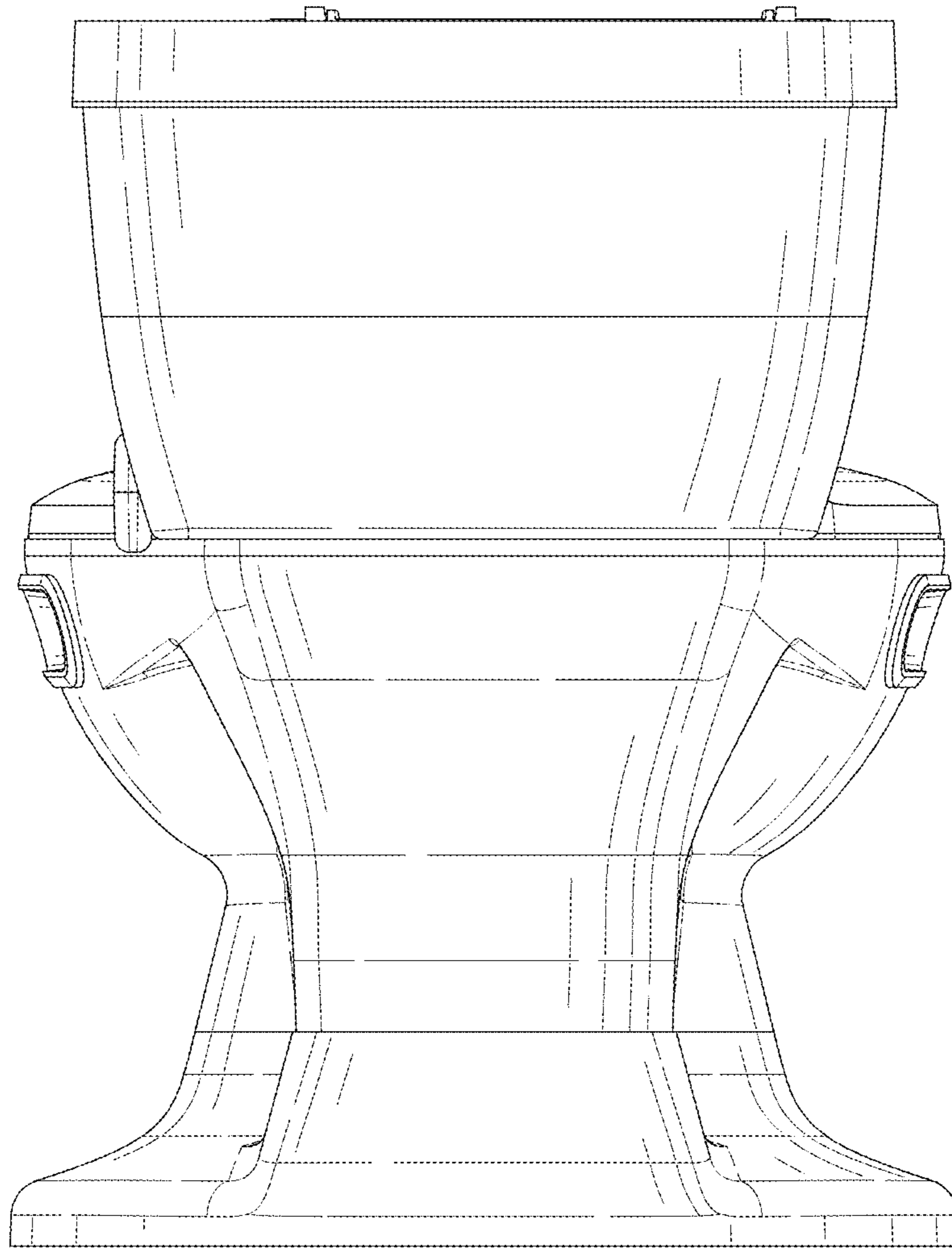


FIG. 4

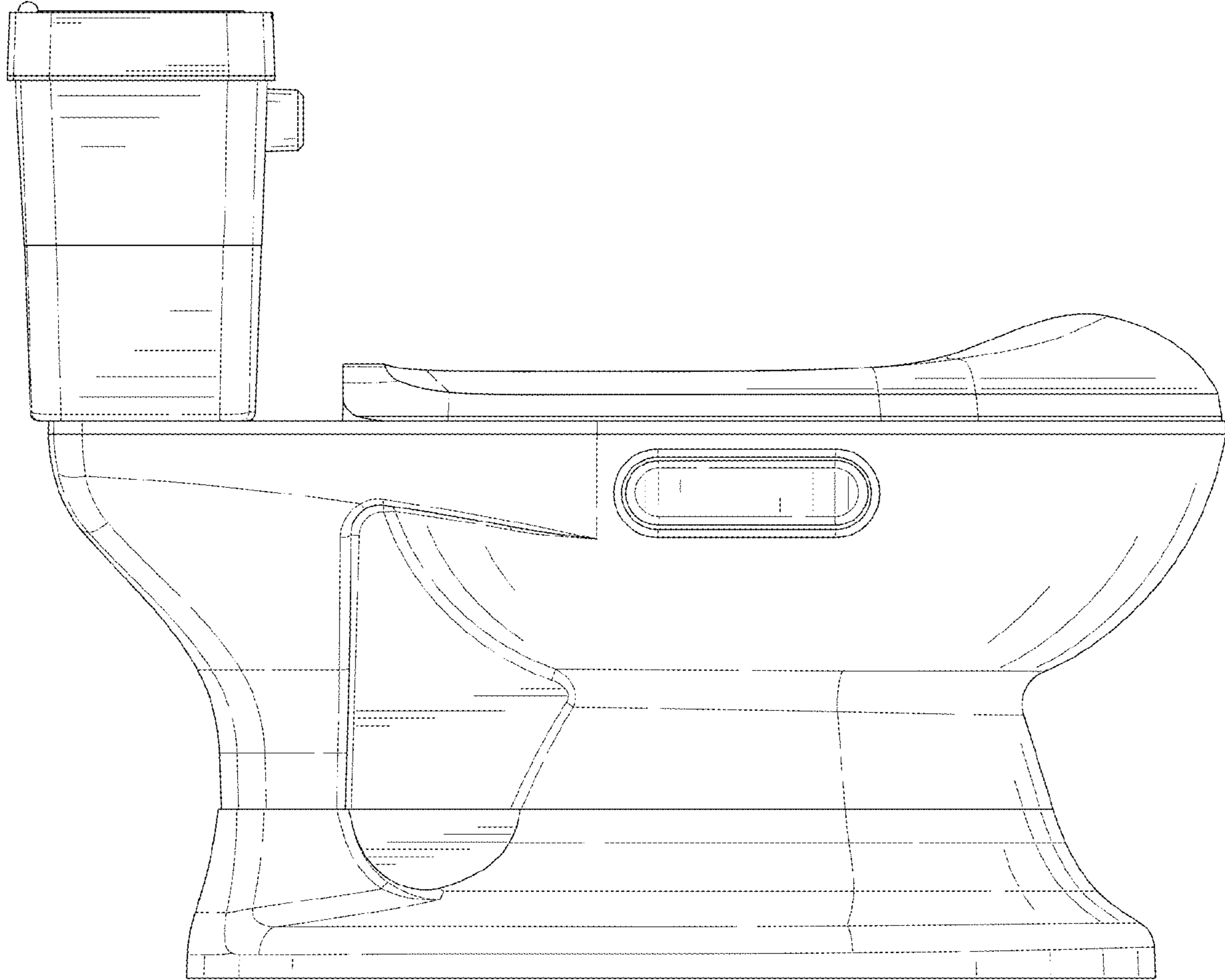


FIG. 5

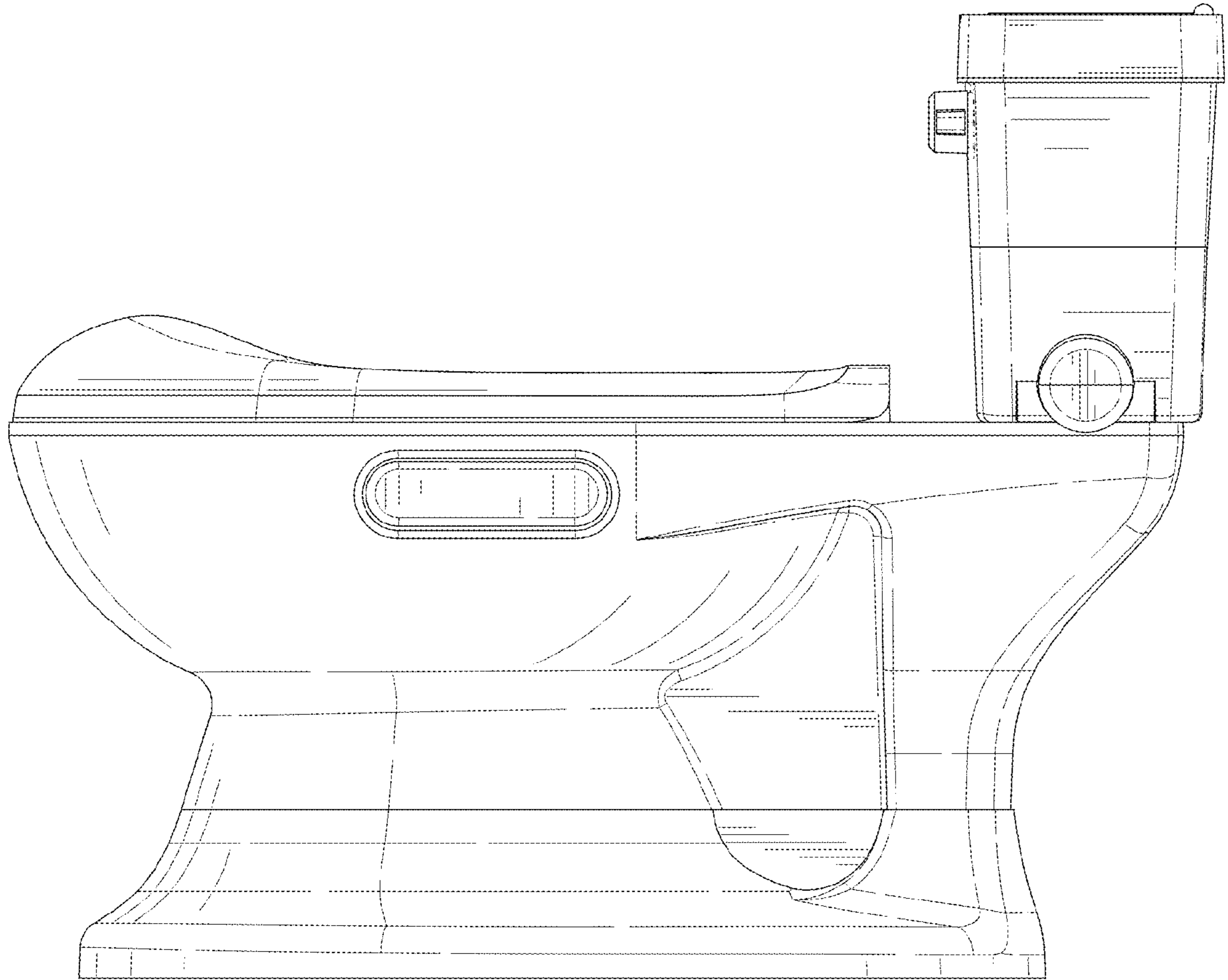


FIG. 6

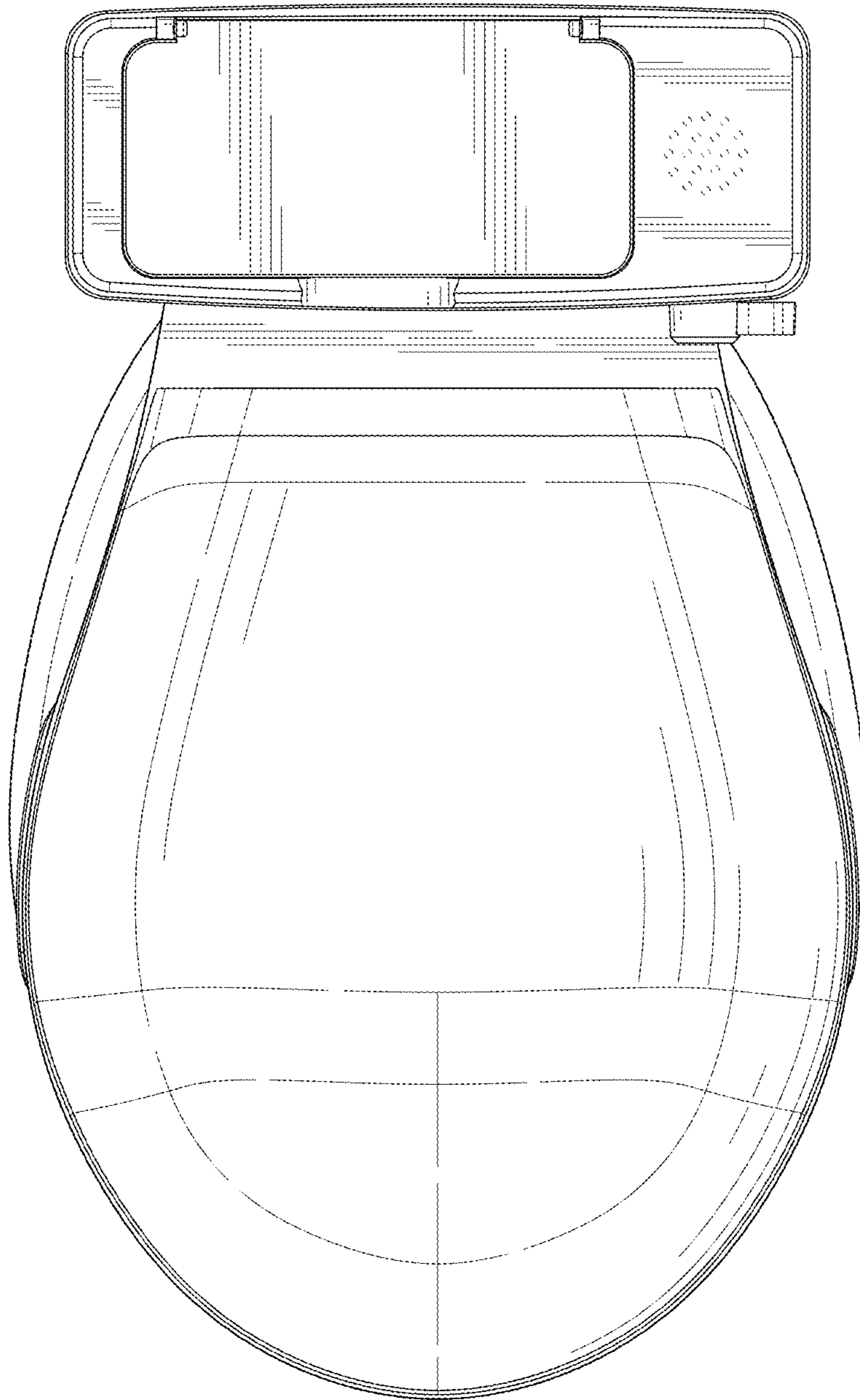


FIG. 7

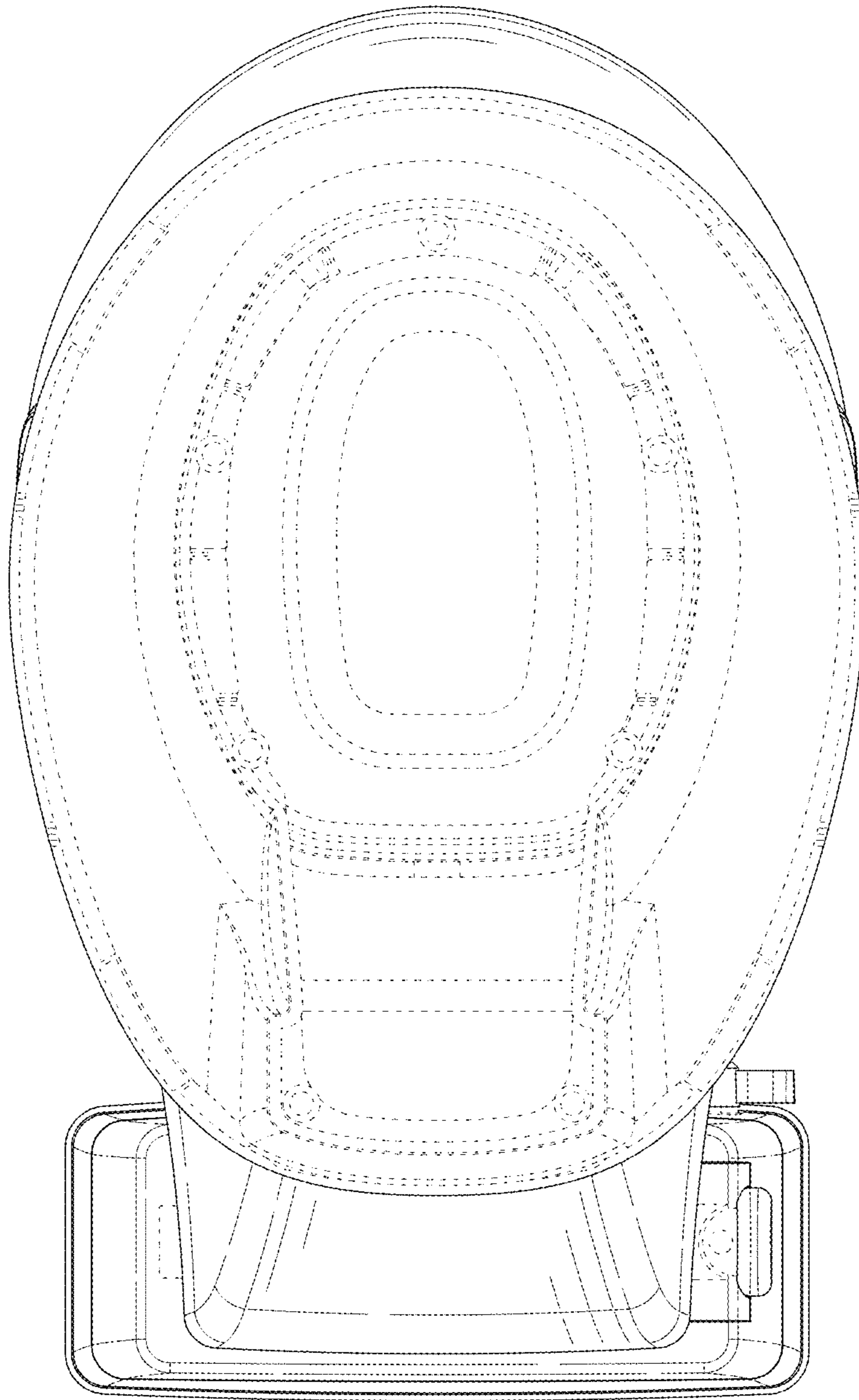


FIG. 8

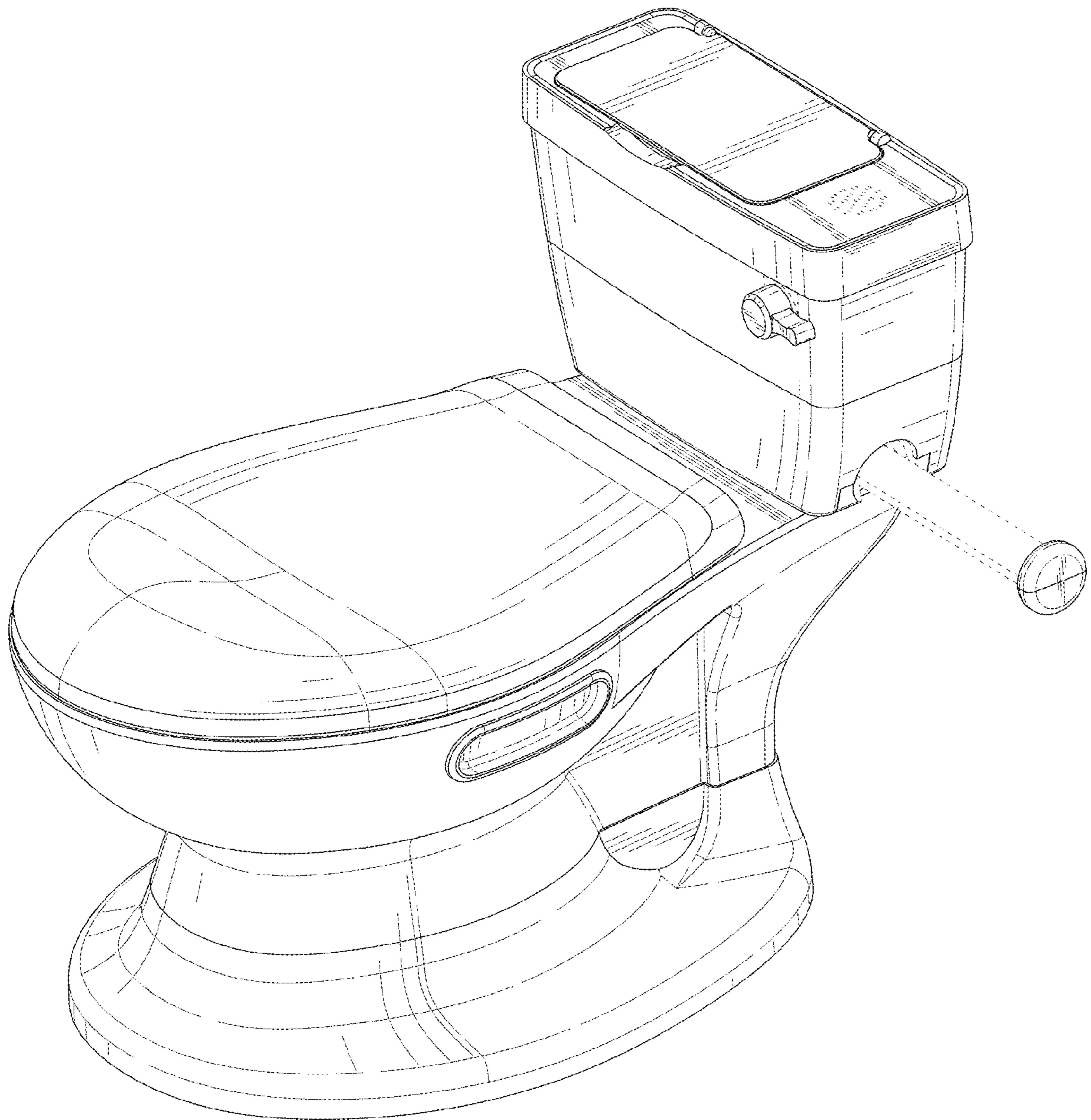


FIG. 9

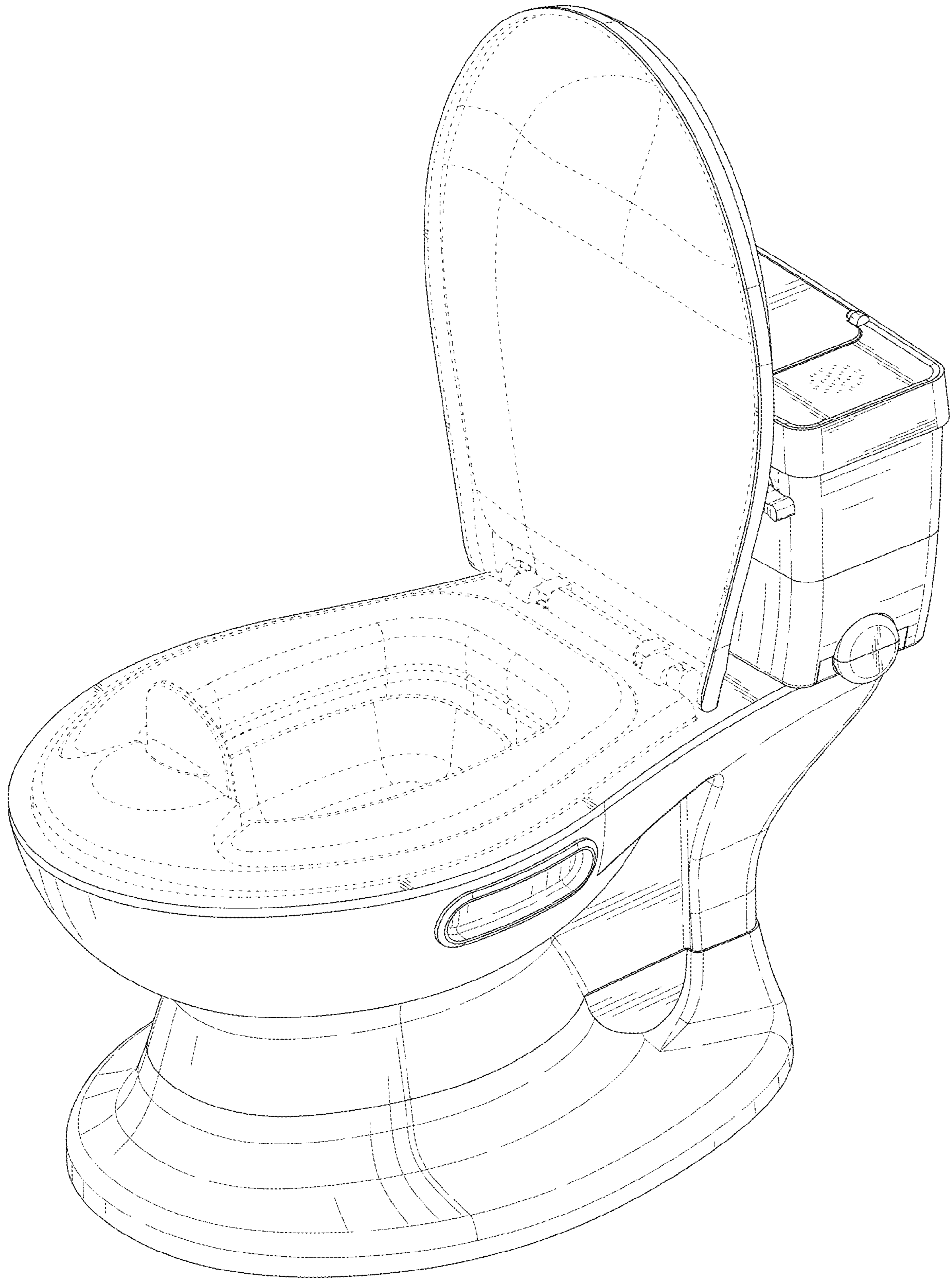


FIG. 10