



US00D988482S

(12) **United States Design Patent**
Zhang

(10) **Patent No.:** **US D988,482 S**
(45) **Date of Patent:** **** Jun. 6, 2023**

(54) **DOWNSPOUT EXTENSION**

(57) **CLAIM**

(71) Applicant: **Shenzhen Ruichenxi Technology Co., Ltd.**, Shenzhen (CN)

The ornamental design for a downspout extension, as shown and described.

(72) Inventor: **Xi Zhang**, Shenzhen (CN)

(**) Term: **15 Years**

DESCRIPTION

(21) Appl. No.: **29/861,985**

(22) Filed: **Dec. 5, 2022**

Related U.S. Application Data

(63) Continuation of application No. 29/841,891, filed on Jun. 9, 2022.

(51) **LOC (14) Cl.** **23-01**

(52) **U.S. Cl.**
USPC **D23/267**

(58) **Field of Classification Search**
USPC D23/259, 262, 263, 264, 266, 267, 268, D23/393

(Continued)

(56) **References Cited**

U.S. PATENT DOCUMENTS

5,813,701 A * 9/1998 Noble F16L 25/0063 138/119

D514,670 S 2/2006 Handley
(Continued)

OTHER PUBLICATIONS

Plusgutter Flexible Downspout Extensions, May 20, 2022, Amazon, site visited Dec. 1, 2022: <https://www.amazon.ca/dp/B09YSW2QBL/> (Year: 2022).*

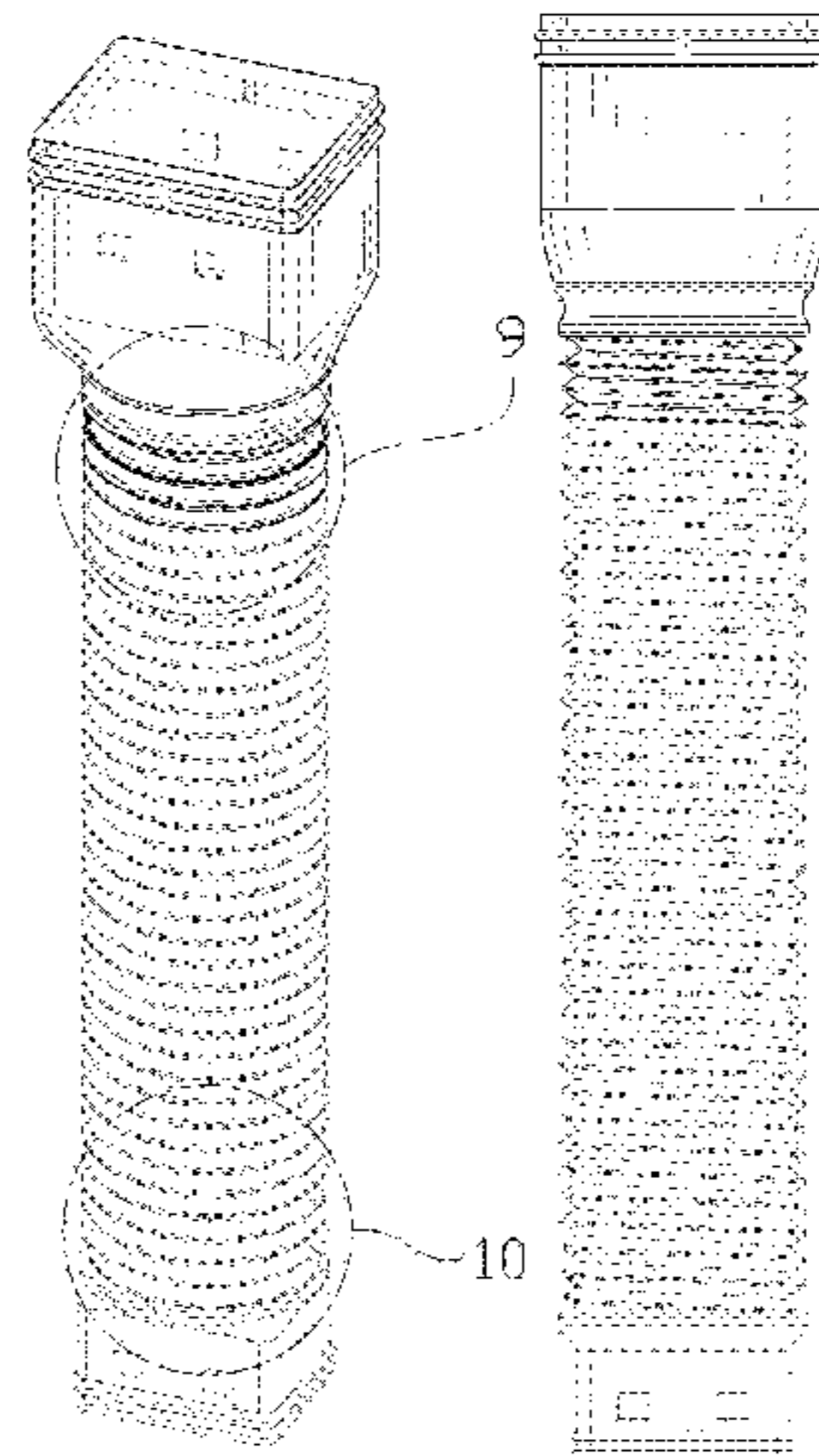
(Continued)

Primary Examiner — Jack Reickel
Assistant Examiner — Bobby W Jones, II

FIG. 1 is a front and top perspective view of a downspout extension, showing my new design;
FIG. 2 is a rear and bottom perspective view thereof;
FIG. 3 is a front elevation view thereof;
FIG. 4 is a rear elevation view thereof;
FIG. 5 is a left side elevation view thereof;
FIG. 6 is a right side elevation view thereof;
FIG. 7 is a top plan view thereof;
FIG. 8 is a bottom plan view thereof;
FIG. 9 is an enlarged perspective view of detail “9” identified in FIG. 1 ;
FIG. 10 is an enlarged perspective view of detail “10” identified in FIG. 1;
FIG. 11 is an enlarged perspective view of detail “11” identified in FIG. 2;
FIG. 12 is an enlarged perspective view of detail “12” identified in FIG. 2;
FIG. 13 is an exploded view of FIG. 1;
FIG. 14 is an exploded view of FIG. 2;
FIG. 15 is an exploded view of FIG. 3;
FIG. 16 is an exploded view of FIG. 4;
FIG. 17 is an exploded view of FIG. 5;
FIG. 18 is an exploded view of FIG. 6;
FIG. 19 is an enlarged perspective view of detail “19” identified in FIG. 13;
FIG. 20 is an enlarged perspective view of detail “20” identified in FIG. 14;
FIG. 21 is a perspective view thereof, shown in an alternative position; and,
FIG. 22 is another perspective view thereof, shown in an alternative position.

The dashed lines in the figures illustrate portions of the downspout extension that form no part of the claimed design. The dash dot dash lines in FIGS. 1, 2, 9, 10, 11, 12,

(Continued)



13, 14, 19 and 20 are for the purpose of illustrating the enlarged views indicators and form no part of the claimed design.

1 Claim, 21 Drawing Sheets

(58) Field of Classification Search

CPC F24F 7/003; F24F 7/04; F24F 7/08; F24F 7/013; F24F 13/02; F24F 13/0209; F24F 13/0218; F24F 13/06; F24F 13/068; F24F 13/08; F24F 13/082; F24F 13/084; F16L 11/11; F16L 11/24; E04D 13/08; E04D 2013/0806; E04D 2013/0813

See application file for complete search history.

(56)

References Cited

U.S. PATENT DOCUMENTS

7,017,614 B2 * 3/2006 Handley E04D 13/08 138/119
8,689,837 B1 * 4/2014 Smith F16L 11/121 285/179

D713,512 S * 9/2014 Luke D23/262
D903,065 S * 11/2020 Elliott D23/266
2005/0155660 A1 * 7/2005 Handley E04D 13/08 52/16
2008/0023959 A1 * 1/2008 Crawford F16L 25/14 285/226
2010/0126078 A1 * 5/2010 Leahy E04D 13/0645 52/16
2012/0125465 A1 * 5/2012 Bell F16L 9/006 138/37
2012/0144858 A1 * 6/2012 Logan F16L 11/15 29/890.035
2013/0118625 A1 * 5/2013 Bell F16L 9/006 138/37
2014/0130929 A1 * 5/2014 Elliott F16L 11/111 138/121
2016/0281364 A1 * 9/2016 Lolio, Jr. A01G 13/0237

OTHER PUBLICATIONS

Amerimax Brown Flexible Downspout Extension, Sep. 16, 2020, Amazon, site visited Jan. 20, 2022: https://www.amazon.com/dp/B08J9BBJBF/ (Year: 2020).*

* cited by examiner

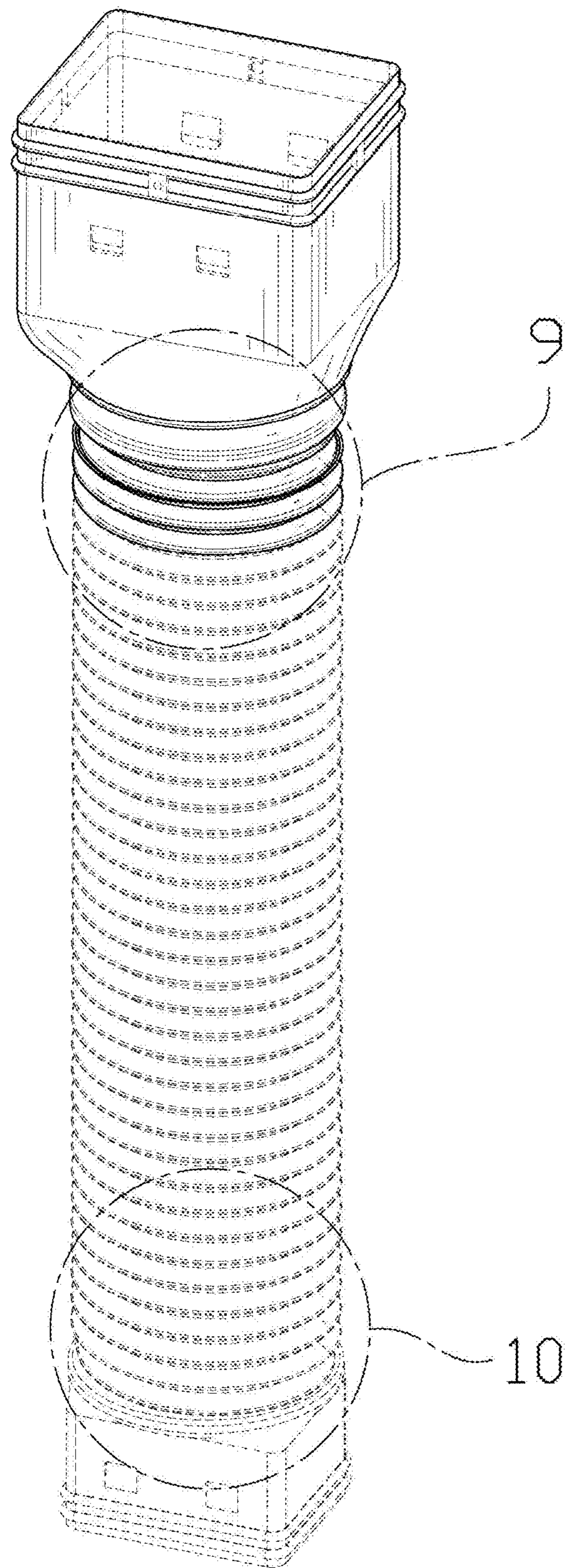


FIG. 1

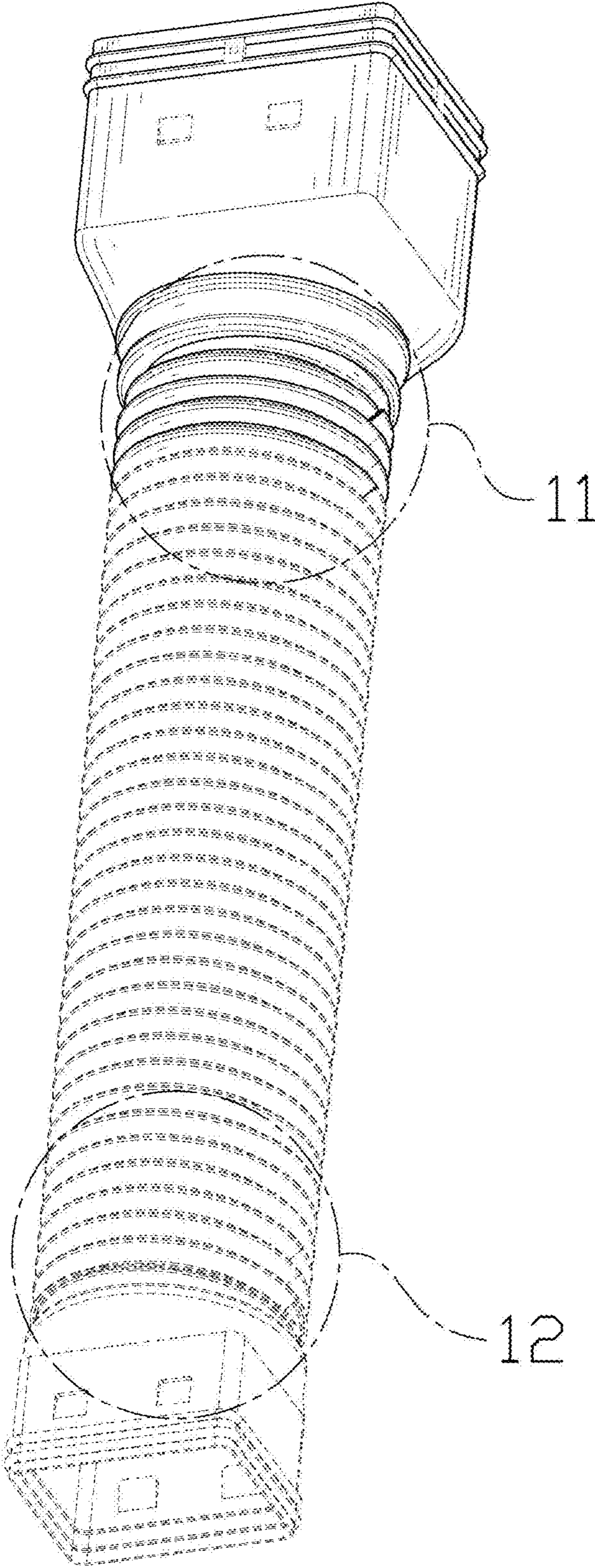


FIG. 2

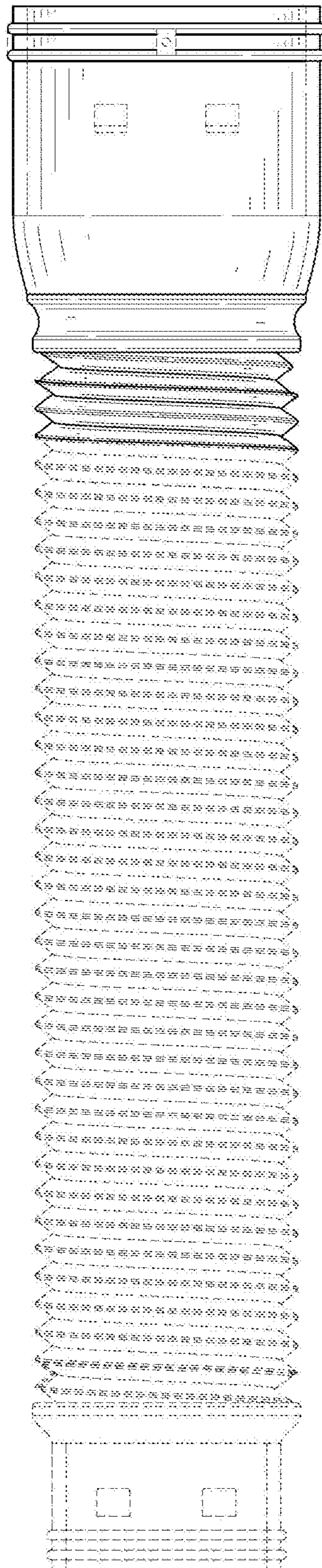


FIG. 3

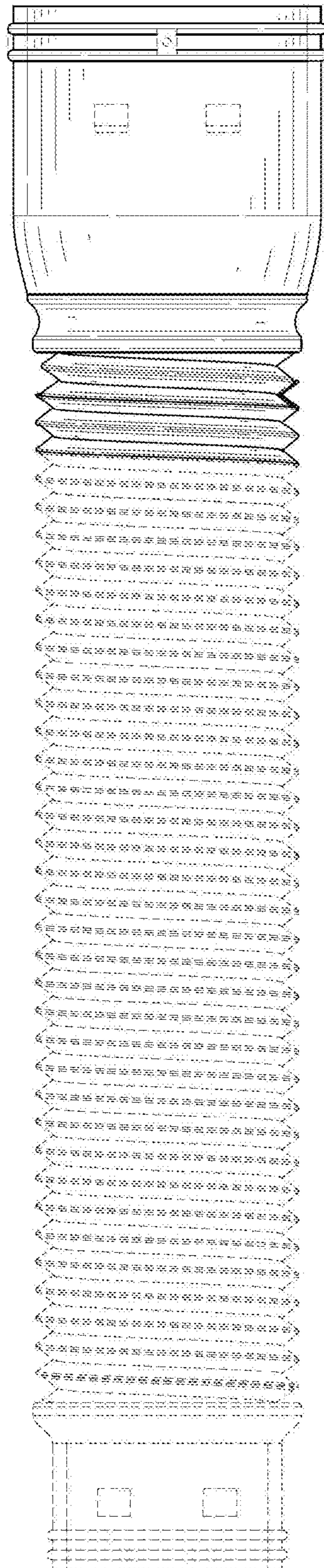


FIG. 4

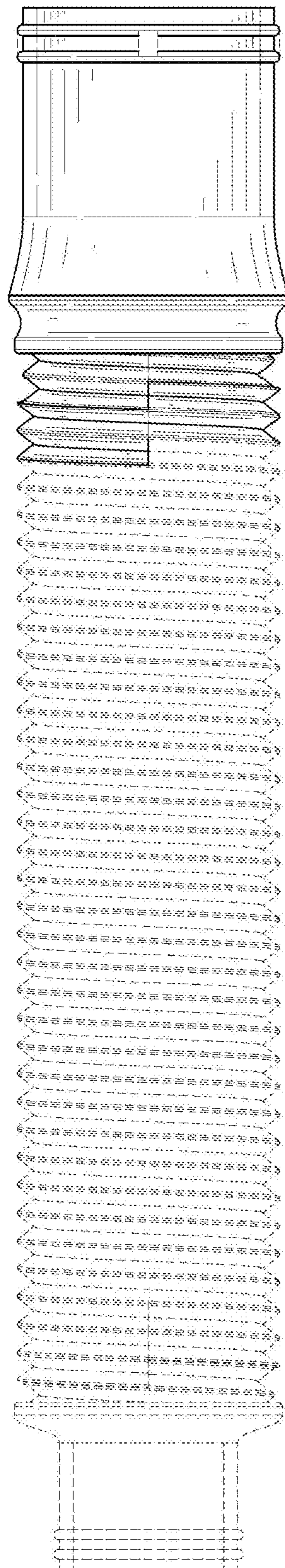


FIG. 5

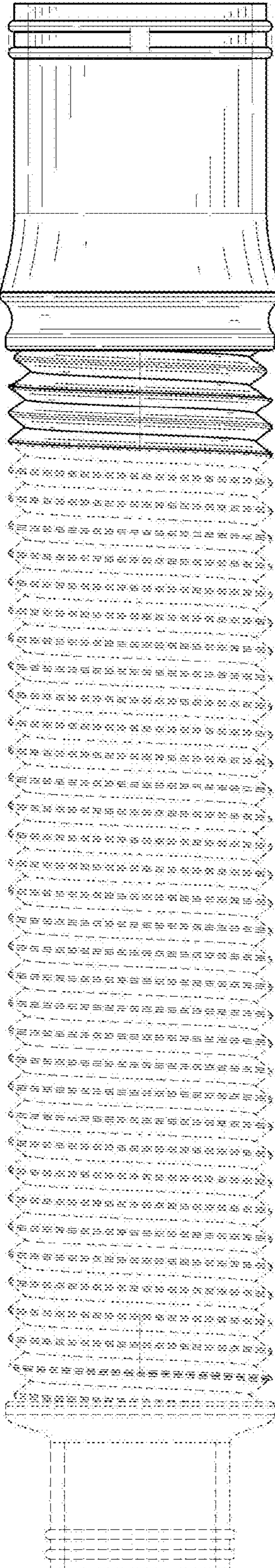


FIG. 6

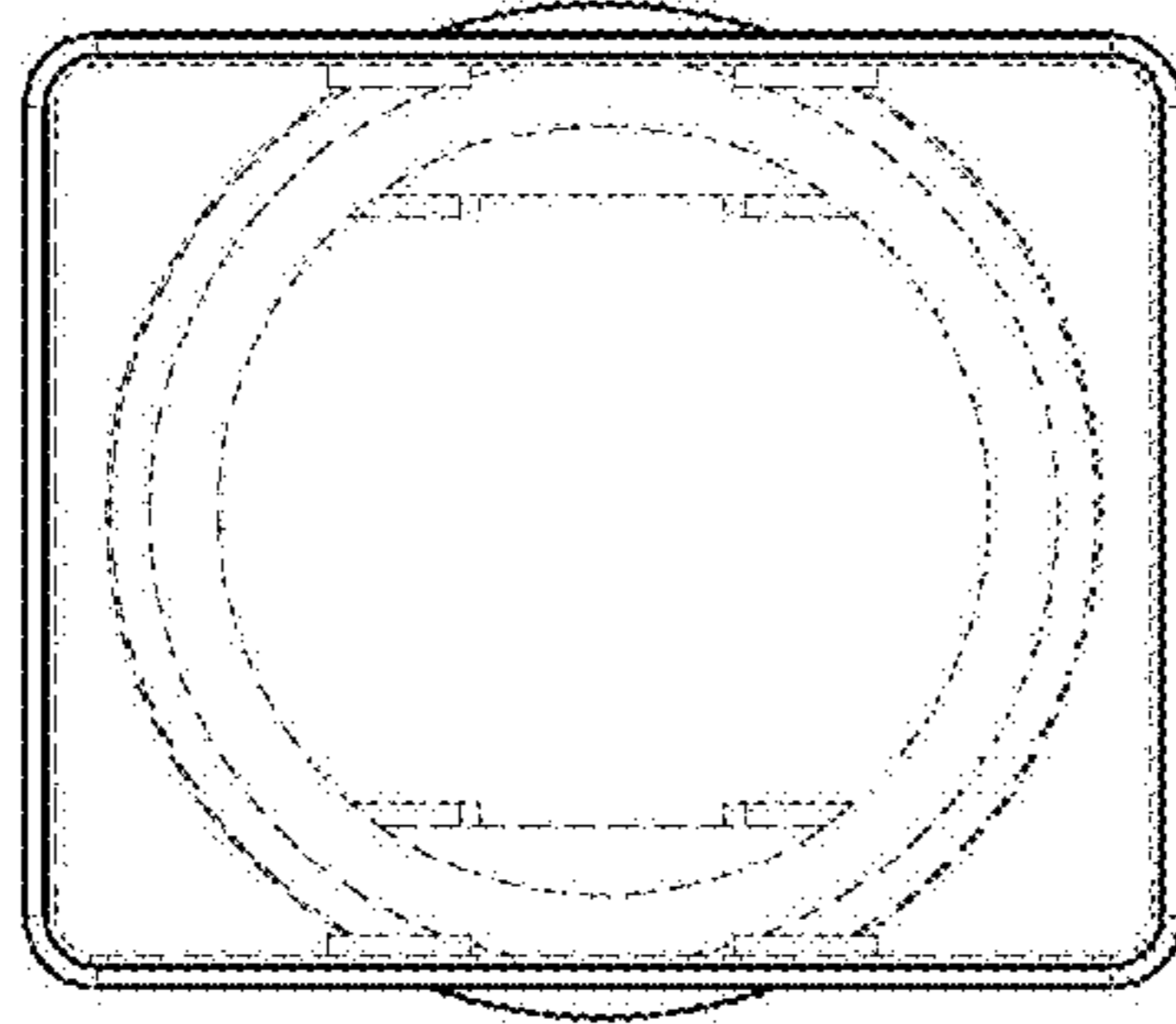


FIG. 7

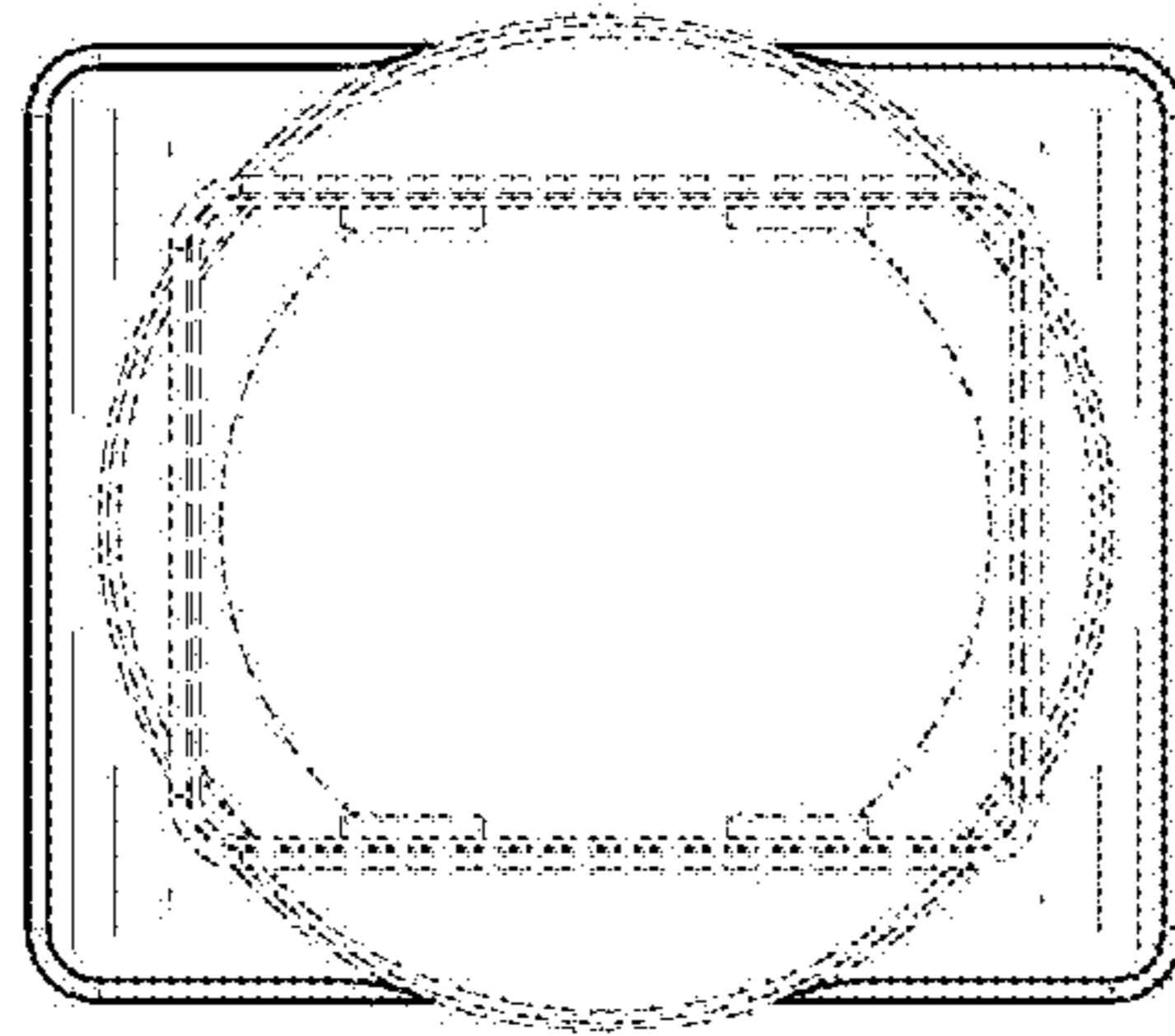


FIG. 8

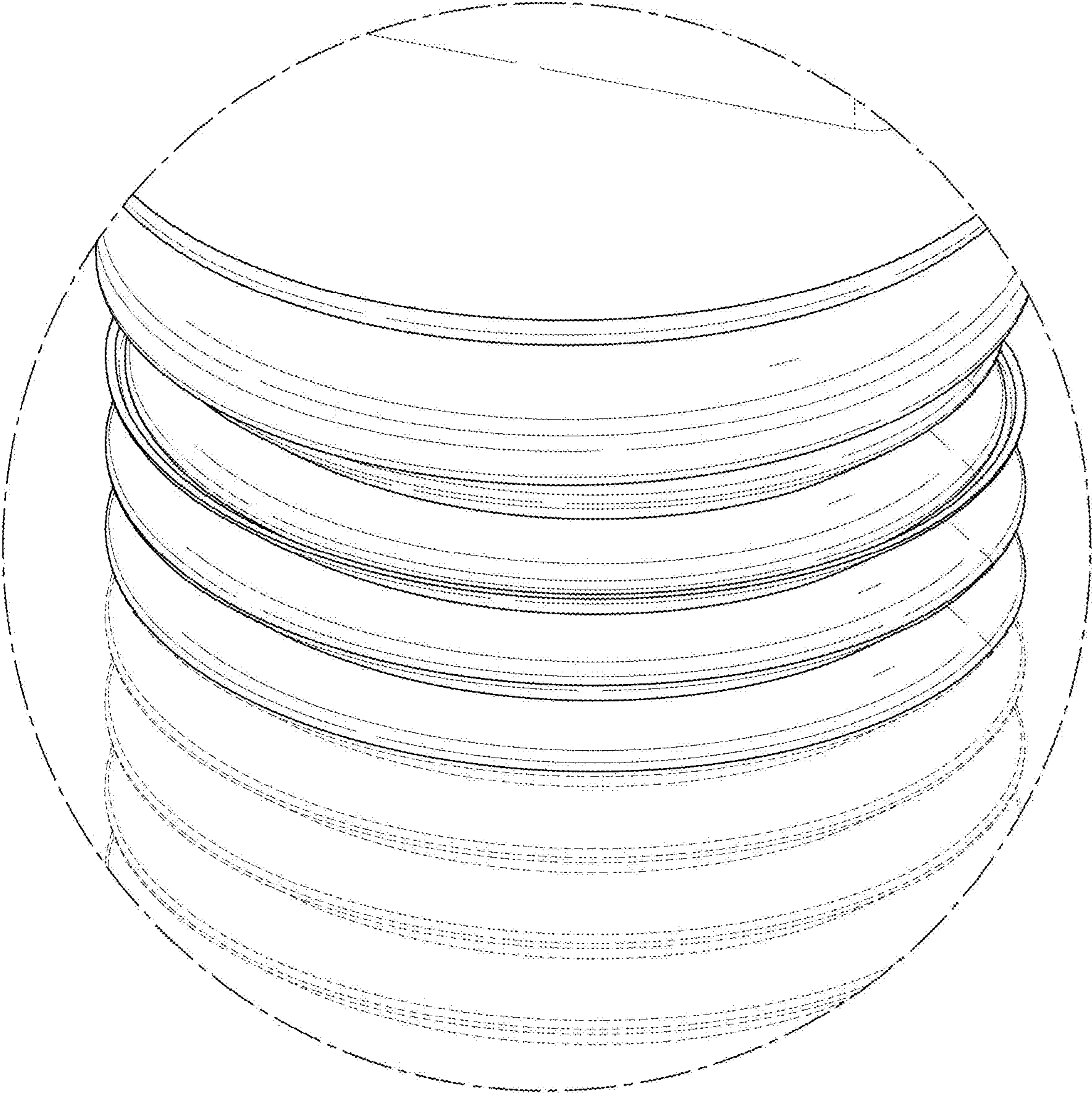


FIG. 9

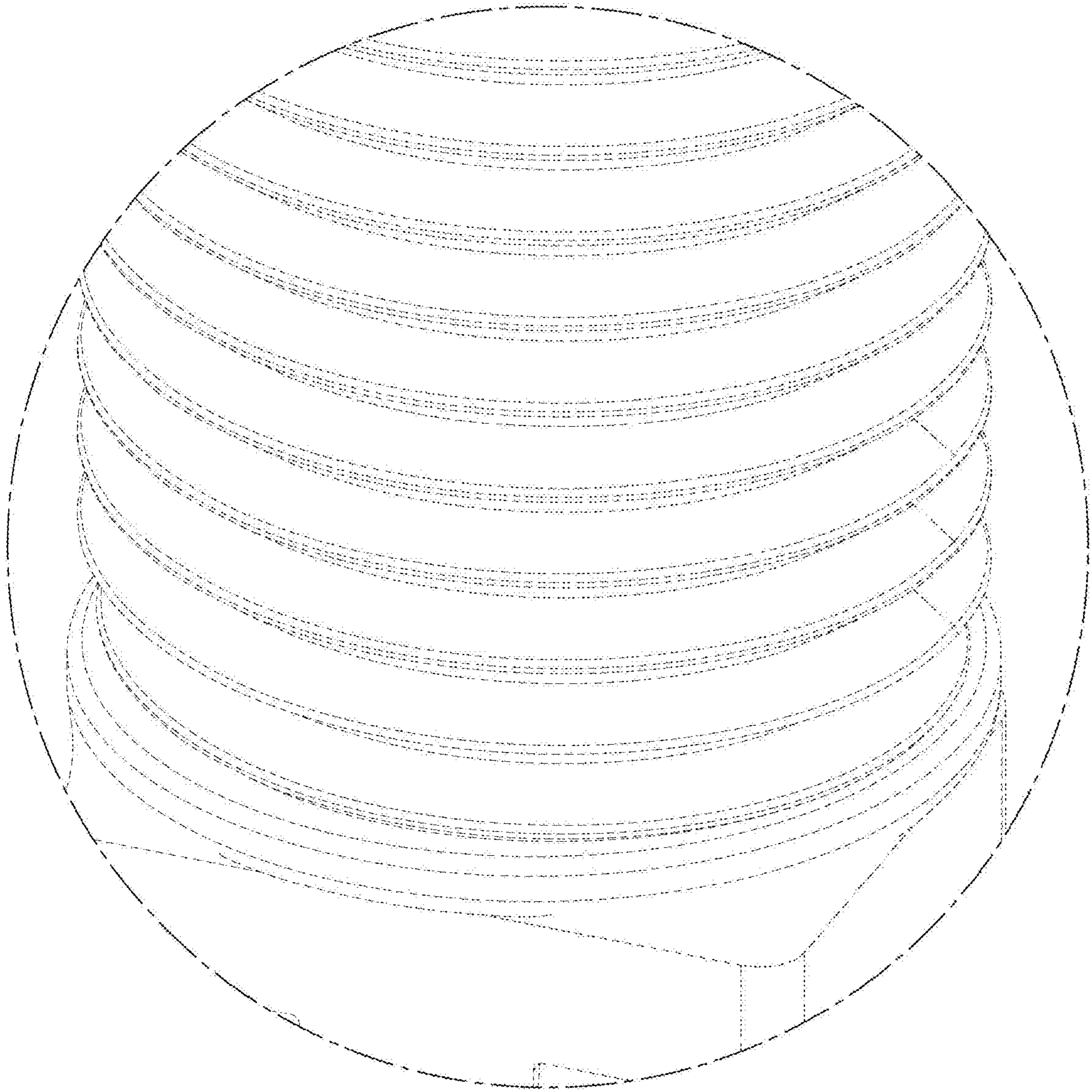


FIG. 10

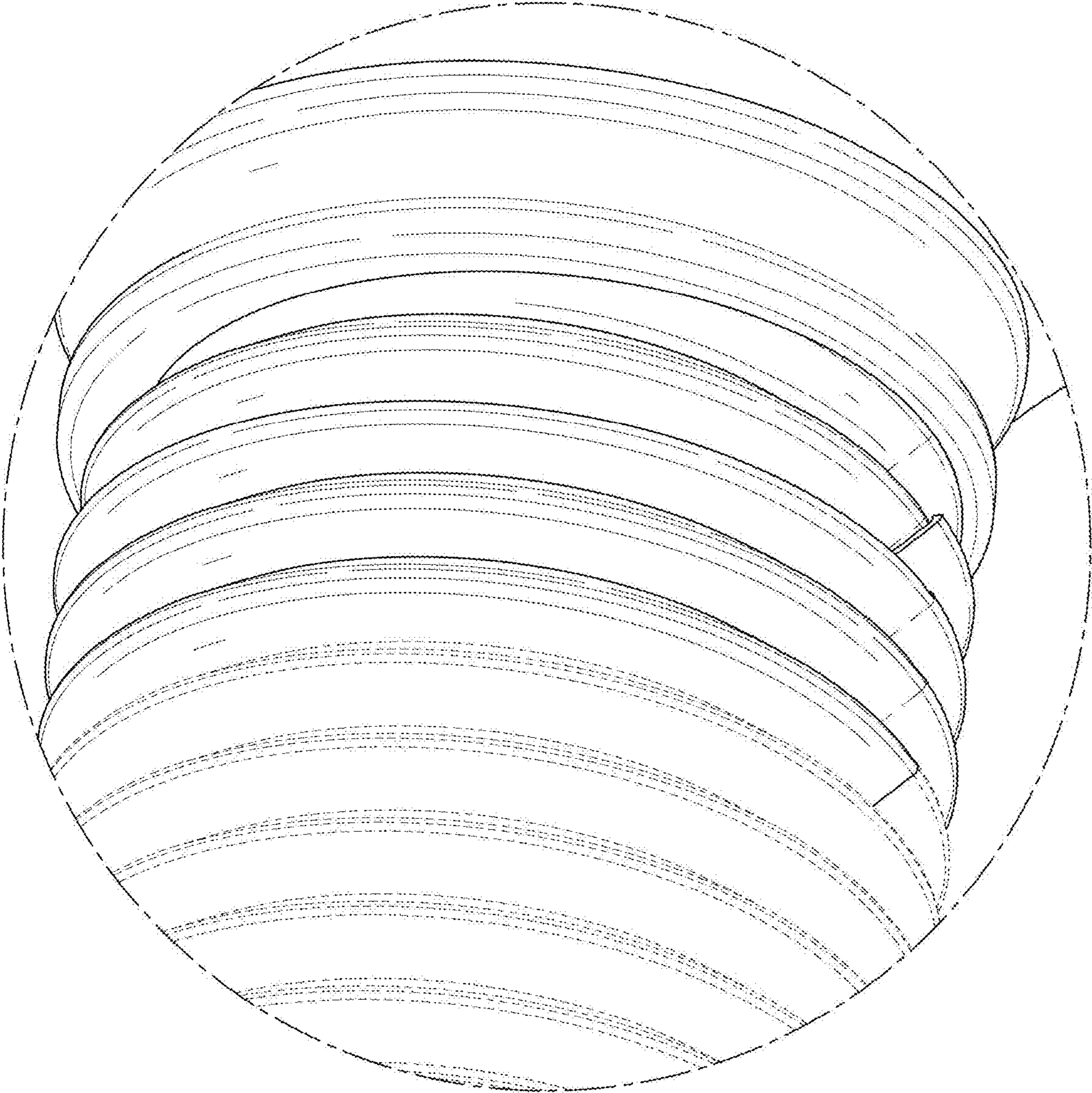


FIG. 11

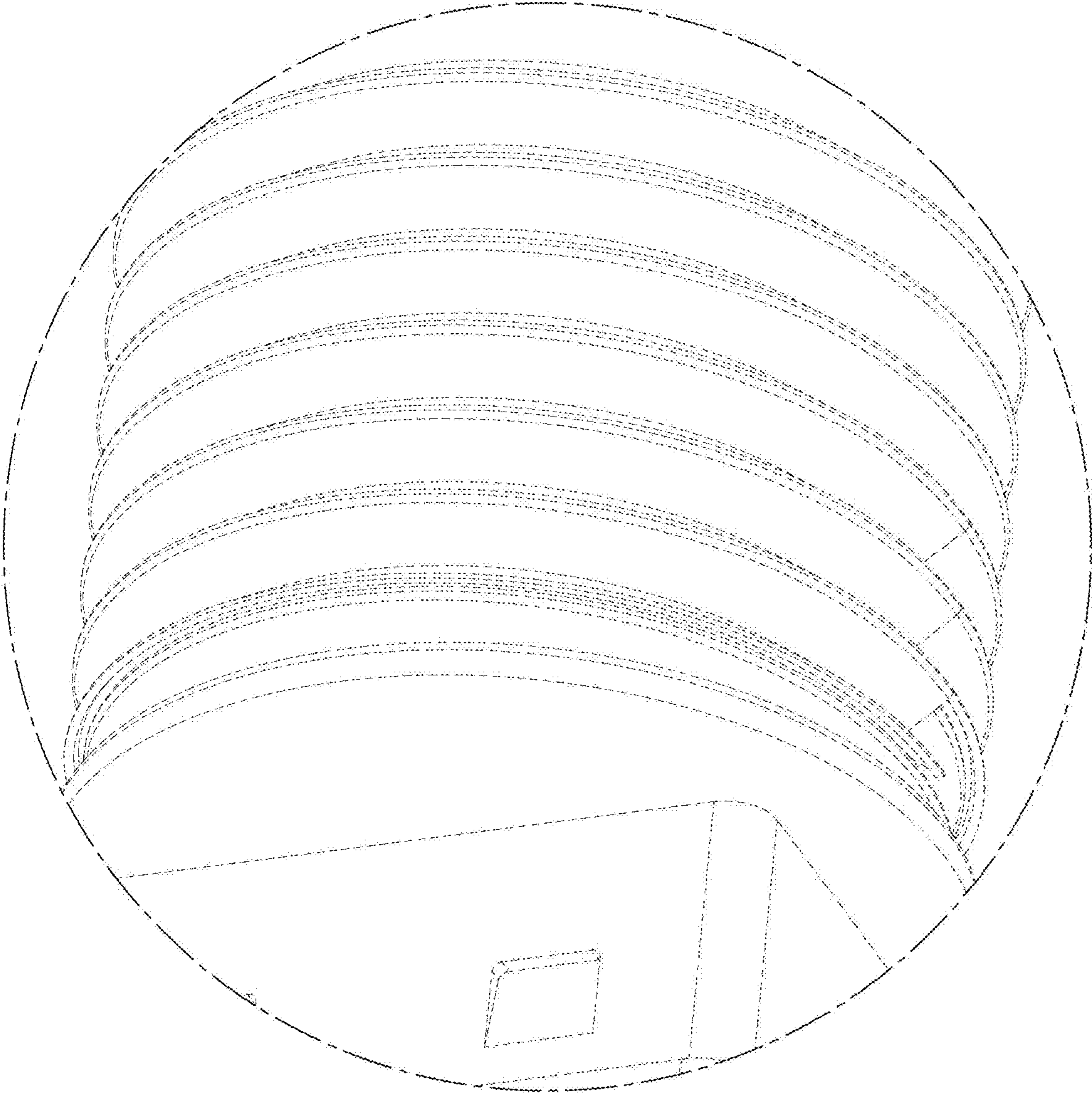


FIG. 12

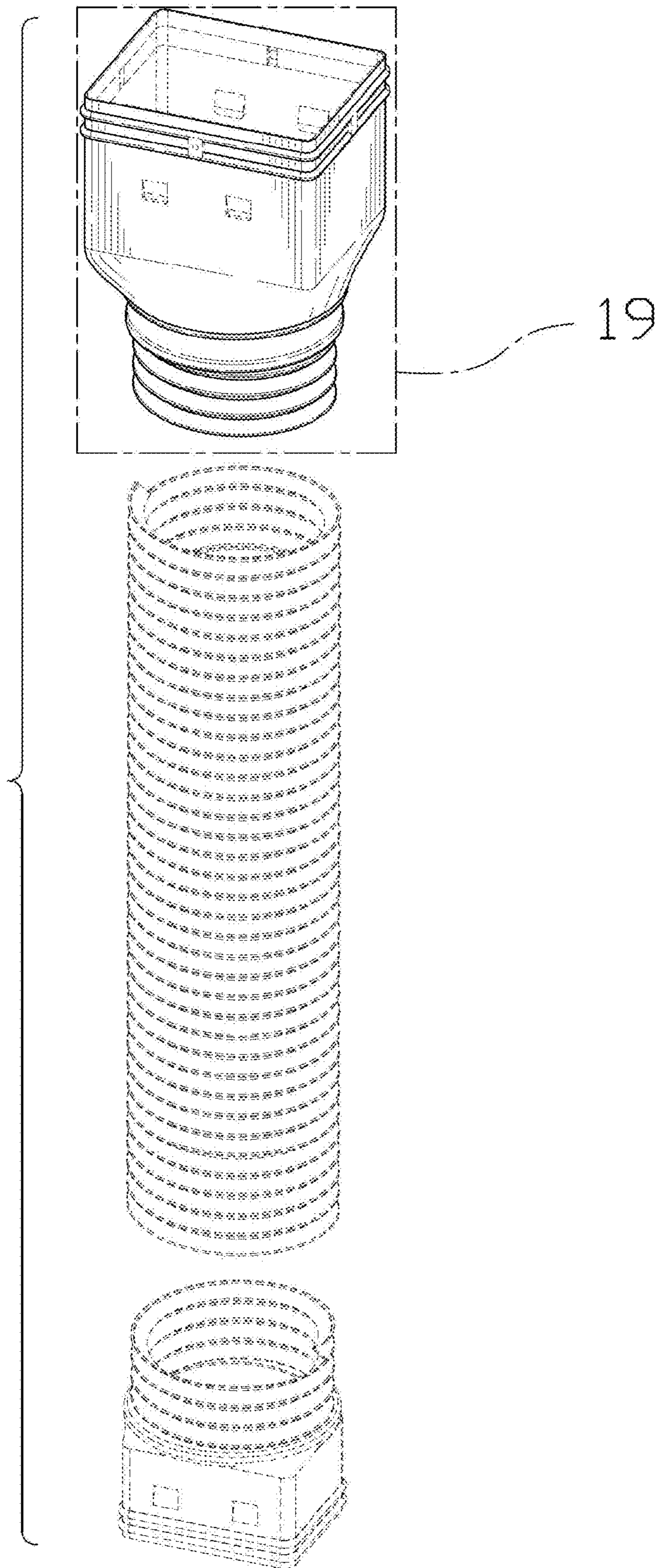


FIG. 13

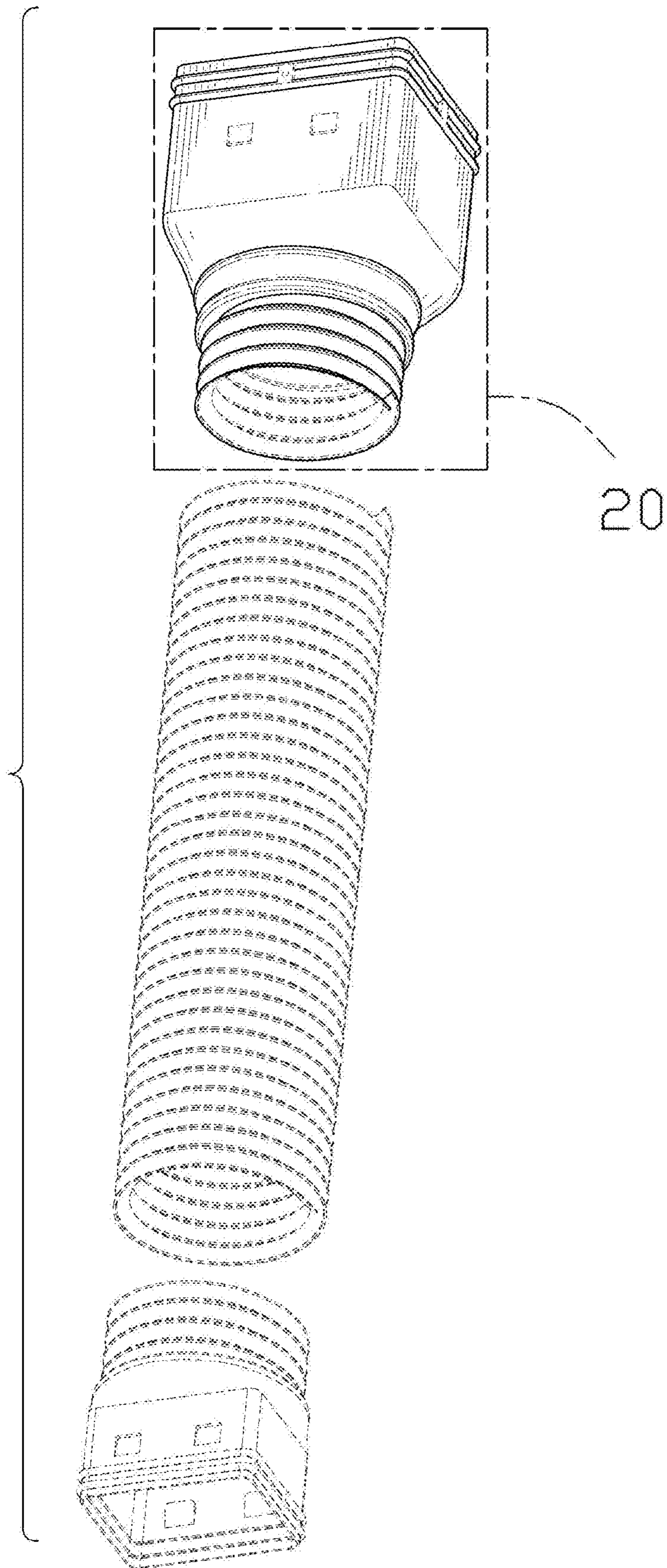


FIG. 14

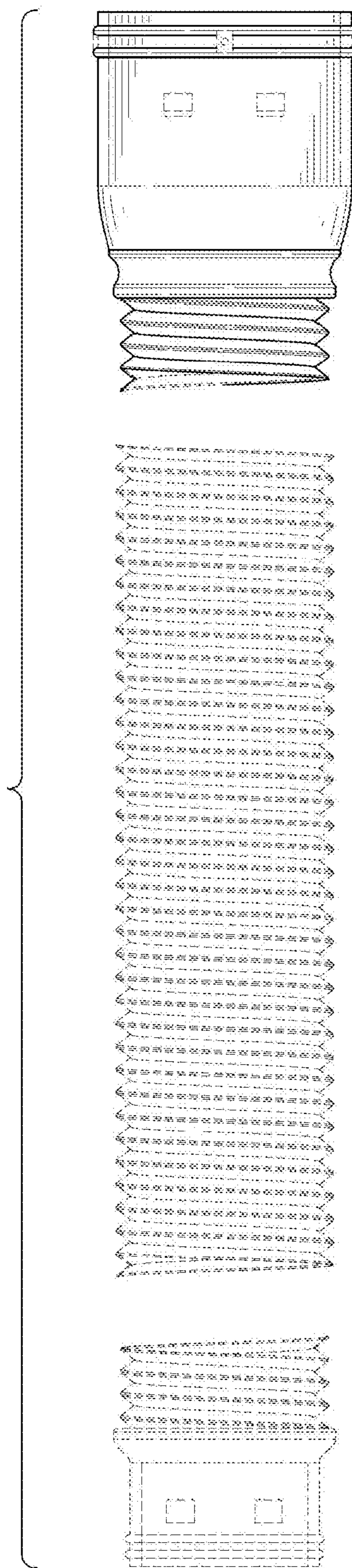


FIG. 15

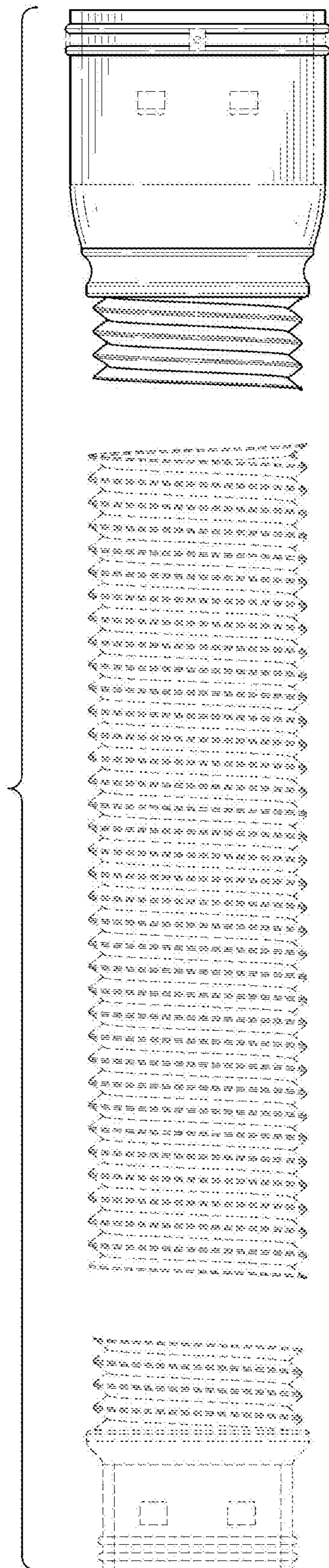


FIG. 16

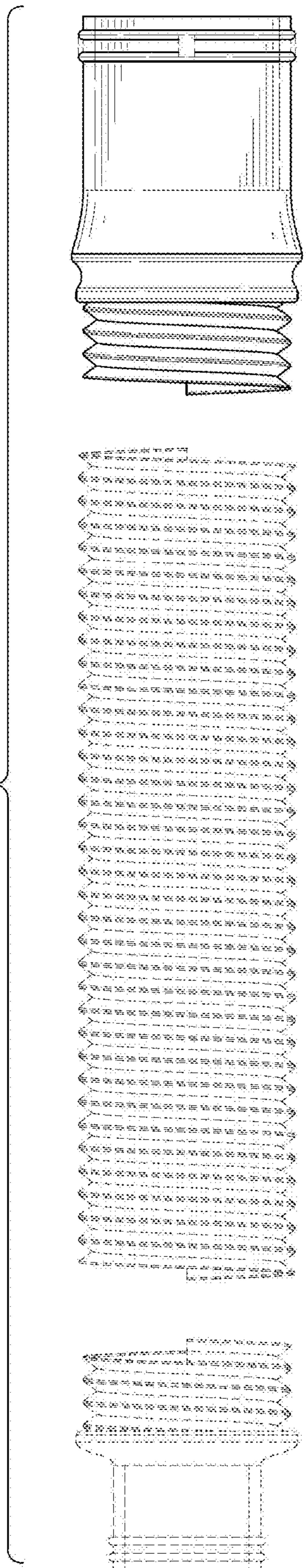


FIG. 17

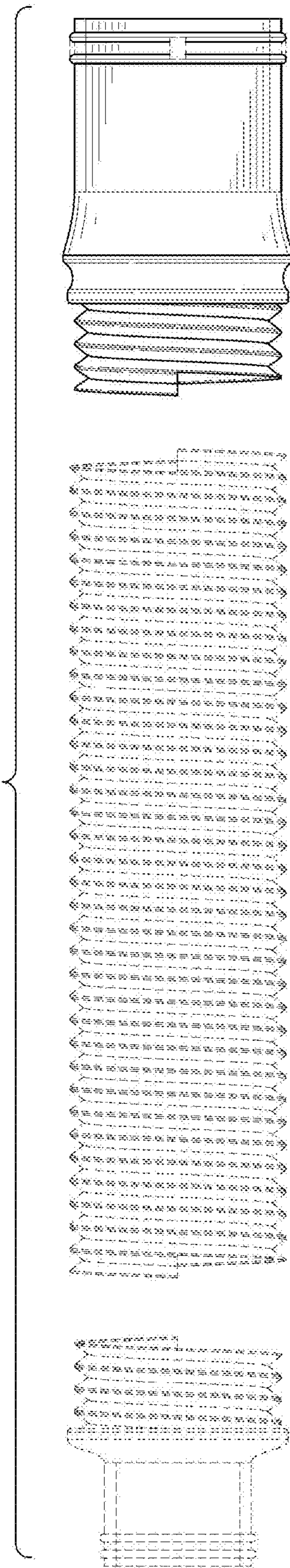


FIG. 18

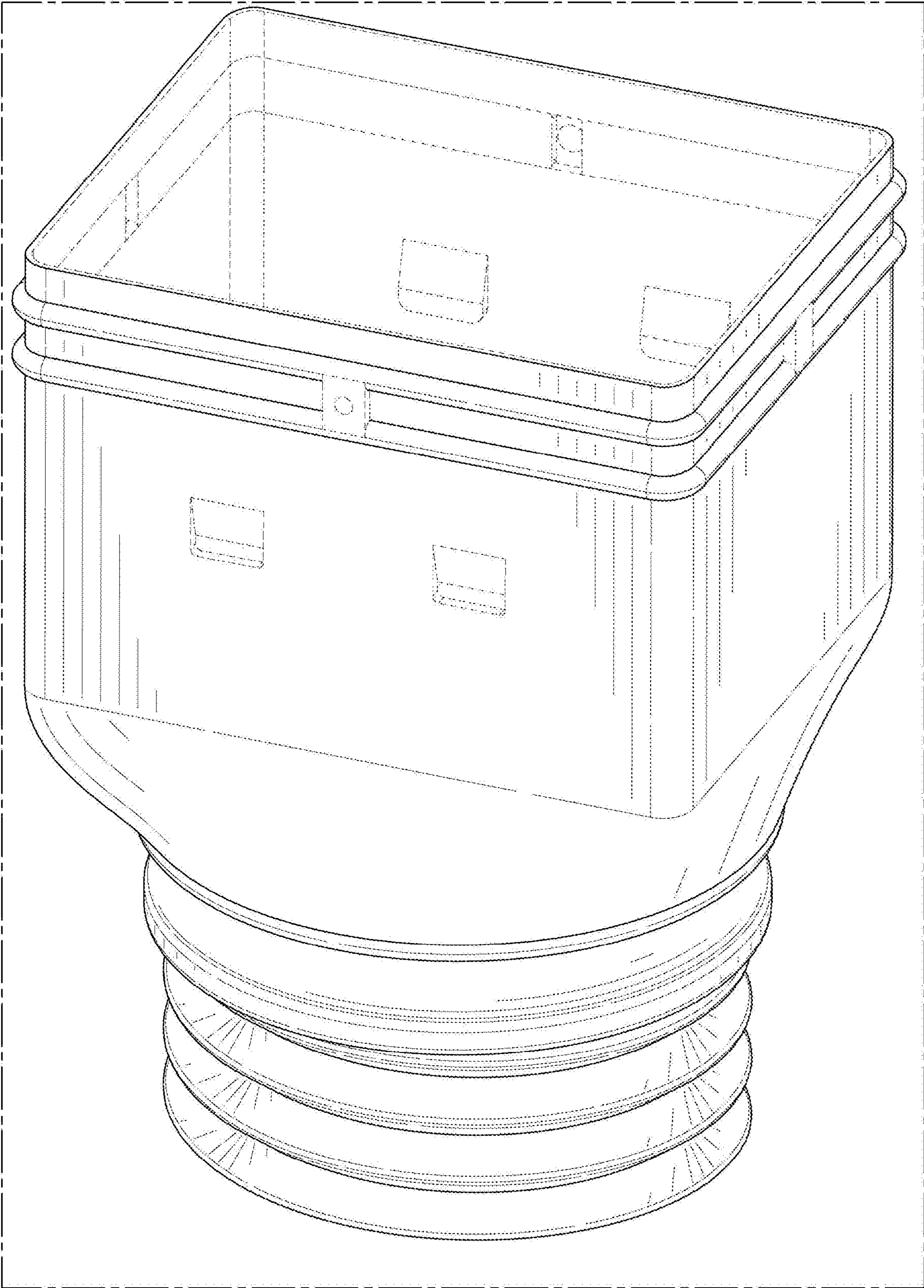


FIG. 19

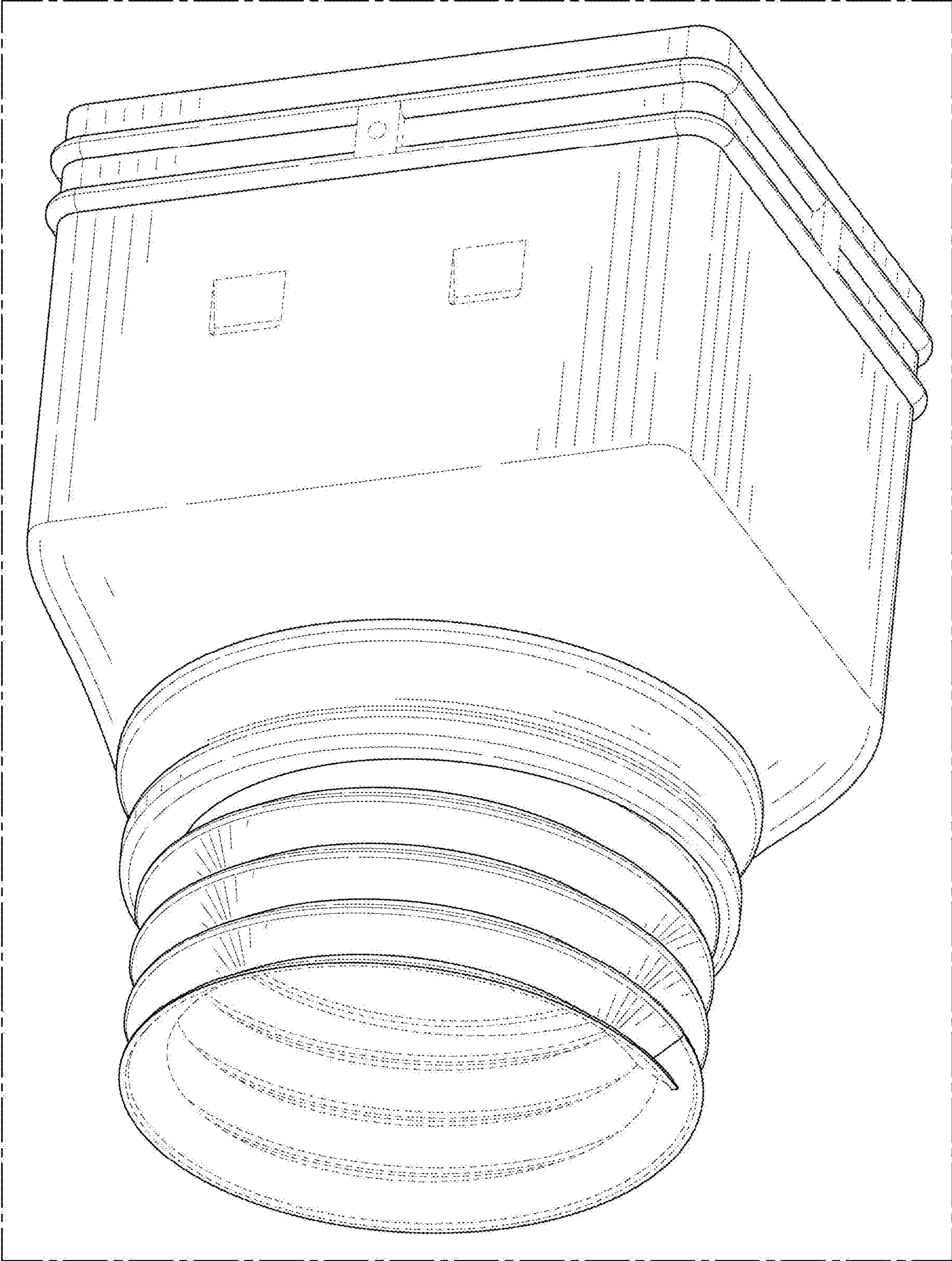


FIG. 20

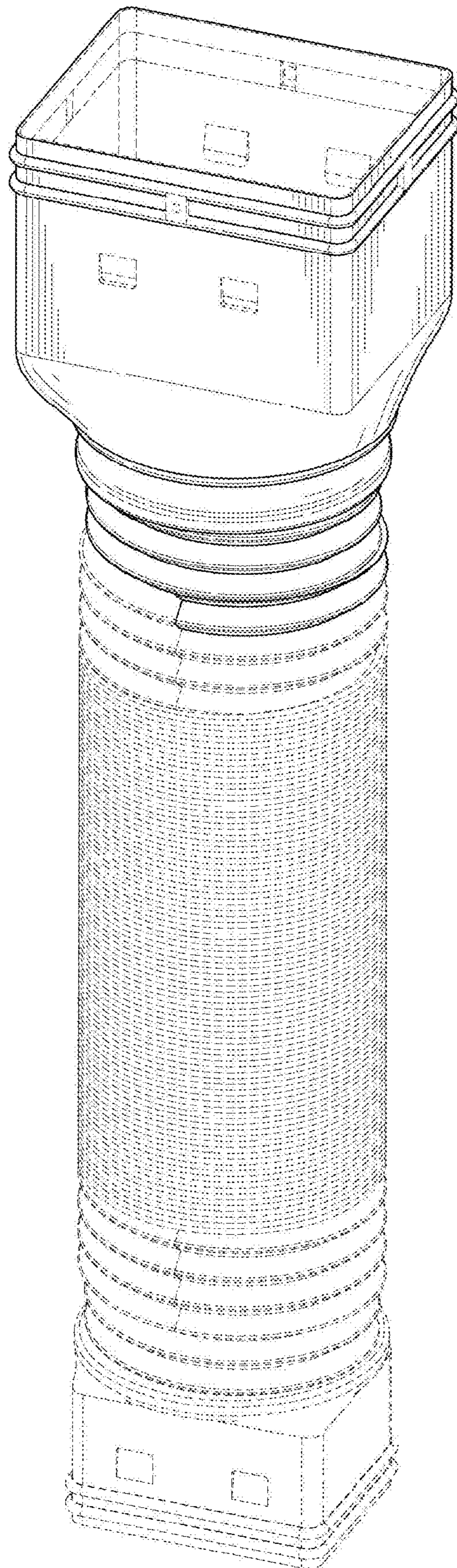


FIG. 21

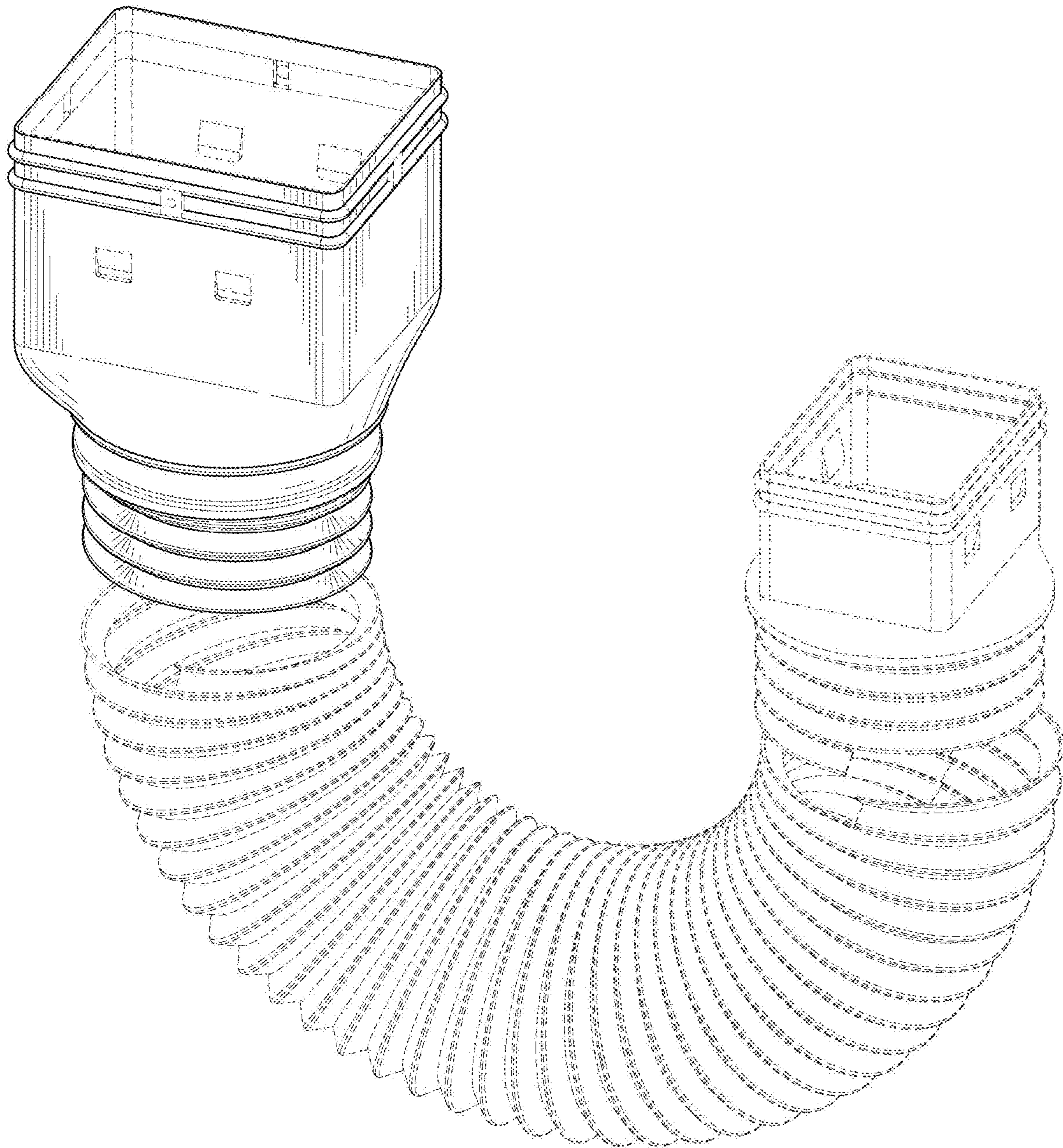


FIG. 22