



US00D988481S

(12) **United States Design Patent** (10) **Patent No.:** **US D988,481 S**
Nagashima et al. (45) **Date of Patent:** **** Jun. 6, 2023**

(54) **MECHANICAL JOINT**

OTHER PUBLICATIONS

(71) Applicant: **KUBOTA CORPORATION**, Osaka (JP)
(72) Inventors: **Takeshi Nagashima**, Ichikawa (JP); **Hiroyuki Eguchi**, Ichikawa (JP); **Nobuhito Tahara**, Ichikawa (JP); **Daiki Kachi**, Ichikawa (JP)

Laqnican Joint Mechanical Joints for Steel Pipe Piles and Steel Pipe Sheet Plies (Kubota corporation) Product Brochure, Published May 2022; Visited Online Feb. 10, 2023; https://www.kubota.com/products/materials/support/pdf/Laqnican_Joint2022-2.pdf (Year: 2022).*

Primary Examiner — Amy C Wierenga

(**) Term: **15 Years**

(57) **CLAIM**

(21) Appl. No.: **35/514,438**

The ornamental design for a mechanical joint, as shown and described.

(22) Filed: **Dec. 15, 2021**

DESCRIPTION

(80) **Hague Agreement Data**

Int. Filing Date: **Dec. 15, 2021**
Int. Reg. No.: **DM/219806**
Int. Reg. Date: **Dec. 15, 2021**
Int. Reg. Pub. Date: **Jun. 17, 2022**

- 1. Mechanical joint
- 1.1 : Perspective
- 1.2 : Front
- 1.3 : Right
- 1.4 : Top
- 1.5 : Bottom
- 1.6 : Cross sectional
- 1.7 : Cross sectional
- 1.8 : Cross sectional
- 1.9 : Cross sectional
- 1.10 : Cross sectional
- 1.11 : Cross sectional
- 1.12 : Front
- 1.13 : Top
- 1.14 : Cross sectional
- 1.15 : Cross sectional
- 1.16 : Cross sectional
- 1.17 : Cross sectional
- 1.18 : Cross sectional
- 1.19 : Cross sectional
- 1.20 : Cross sectional
- 1.21 : Cross sectional
- 1.22 : Cross sectional
- 1.23 : Cross sectional

(51) **LOC (14) Cl.** **23-01**

(52) **U.S. Cl.**
USPC **D23/266; D23/262**

(58) **Field of Classification Search**
USPC **D23/259, 262, 264–266, 269; D8/331, D8/339, 347, 354, 382–383, 396**
(Continued)

(56) **References Cited**

U.S. PATENT DOCUMENTS

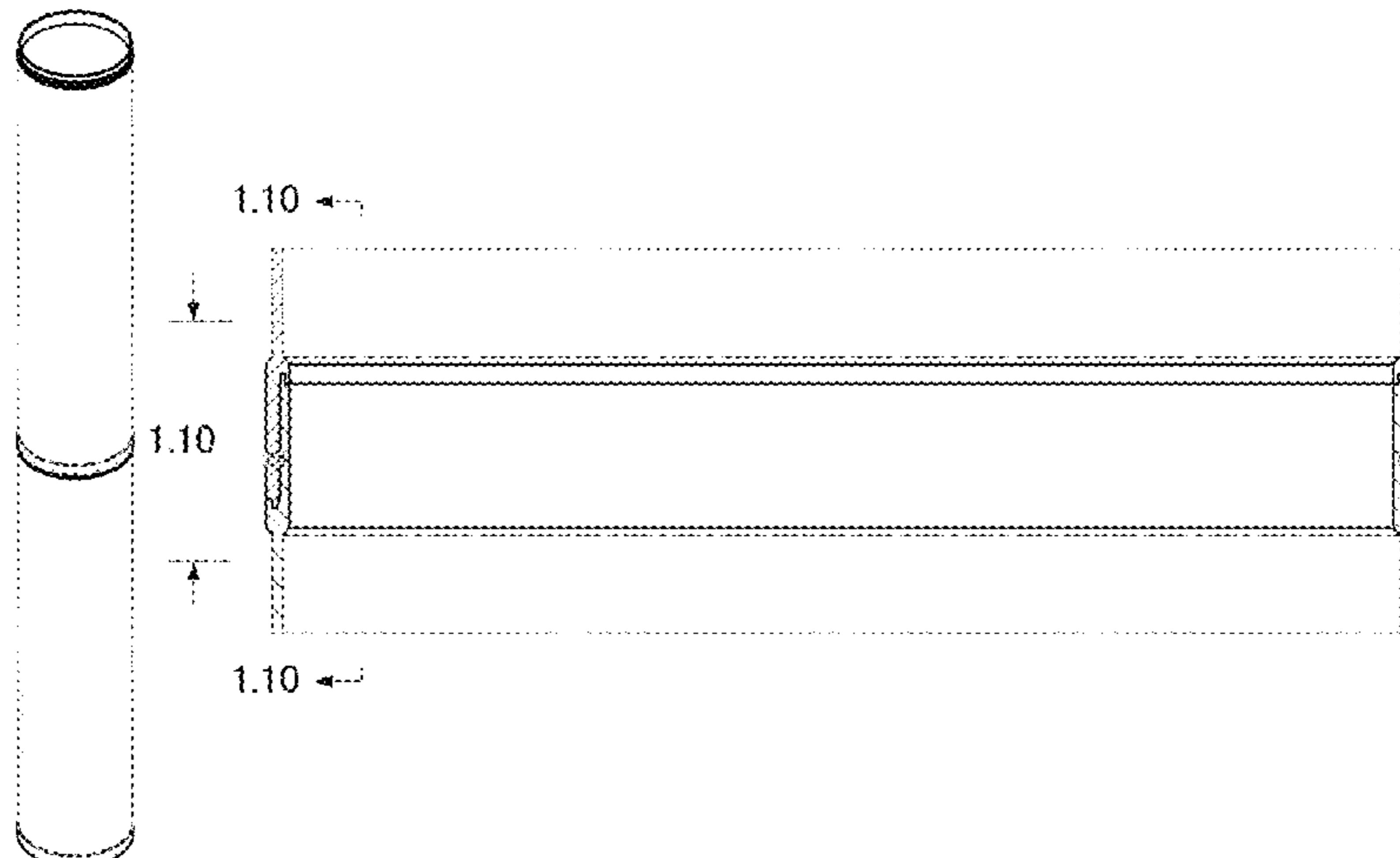
5,609,368 A * 3/1997 Maki F16L 21/08 285/321
D464,409 S * 10/2002 Nishio D23/266
(Continued)

FOREIGN PATENT DOCUMENTS

JP 2002363972 A * 12/2002
JP D1206825 * 5/2004
(Continued)

The evenly spaced broken lines shown in the drawings depict portions of the mechanical joint and form no part of

(Continued)



the claim. The long-dash short-dash broken lines indicates cutoff boundaries for enlarged detail portion views and form no part of the claim.

The back view is omitted because it is a mirror image of the front view; the left side view is omitted because it is identical to the right side view; reproduction 1.12 is the front view showing a constituent member of the mechanical joint; reproduction 1.13 is the top view showing a constituent member of the mechanical joint; reproduction 1.6 is a cross-sectional view taken along line 1.6-1.6 of reproduction 1.4; reproduction 1.7 is a cross-sectional view taken along line 1.7-1.7 of reproduction 1.4; reproduction 1.8 is a partially enlarged cross-sectional view of 1.8-1.8 region in reproduction 1.6 ; reproduction 1.9 is a partially enlarged cross-sectional view of 1.9-1.9 region in reproduction 1.7; reproduction 1.10 is a partially enlarged cross-sectional view of 1.10-1.10 region in reproduction 1.8; reproduction 1.11 is a partially enlarged cross-sectional view of 1.11-1.11 region in reproduction 1.9; reproduction 1.14 is a cross-sectional view taken along line 1.14-1.14 of reproduction 1.13; reproduction 1.15 is a cross-sectional view taken along line 1.15-1.15 of reproduction 1.13; reproduction 1.16 is a partially enlarged cross-sectional view of 1.16-1.16 region in reproduction 1.14.; Reproduction 1.17 is a partially enlarged cross-sectional view of 1.17-1.17 region in reproduction 1.14; reproduction 1.18 is a partially enlarged cross-sectional view of 1.18-1.18 region in reproduction 1.15; reproduction 1.19 is a partially enlarged cross-sectional view of 1.19-1.19 region in reproduction 1.15; reproduction 1.20 is a partially enlarged cross-sectional view of 1.20-1.20 region in reproduction 1.16; reproduction 1.21 is a partially enlarged cross-sectional view of 1.21-1.21 region in reproduction 1.17; reproduction 1.22 is a partially enlarged cross-

sectional view of 1.22-1.22 region in reproduction 1.18; reproduction 1.23 is a partially enlarged cross-sectional view of 1.23-1.23 region in reproduction 1.19.

1 Claim, 23 Drawing Sheets

(58) **Field of Classification Search**

CPC F16L 21/002; F16L 19/041; E03C 1/02
See application file for complete search history.

(56) **References Cited**

U.S. PATENT DOCUMENTS

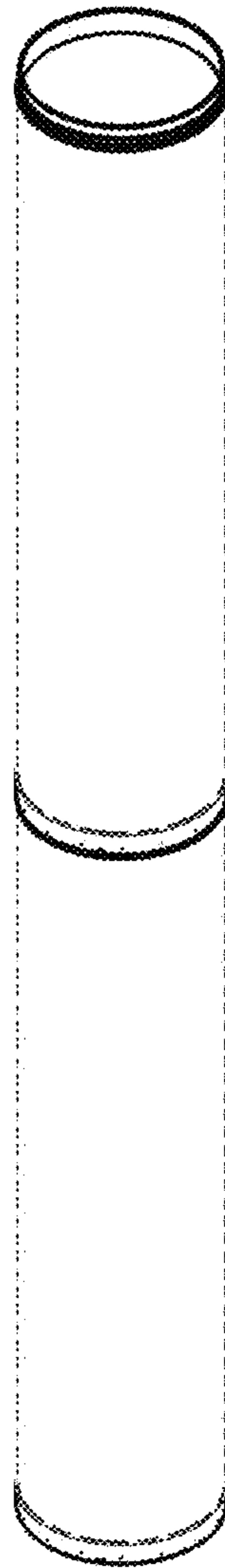
D715,412	S	*	10/2014	Sgherri	D23/262
D749,702	S	*	2/2016	Rohn	D23/259
D754,303	S	*	4/2016	Smith	D23/259
D873,976	S	*	1/2020	Simon	D23/262
D874,619	S	*	2/2020	Simon	D23/262
D888,901	S	*	6/2020	Simon	D23/262
D900,983	S	*	11/2020	Leung	D23/266
2006/0284413	A1	*	12/2006	Barrera	F16L 21/002 285/15
2017/0183837	A1	*	6/2017	Suzuki	E02D 5/24
2018/0119380	A1	*	5/2018	Suzuki	E02D 5/526
2019/0063649	A1	*	2/2019	Snyder, II	F16L 27/0828
2019/0376600	A1	*	12/2019	Ford	F04B 47/026

FOREIGN PATENT DOCUMENTS

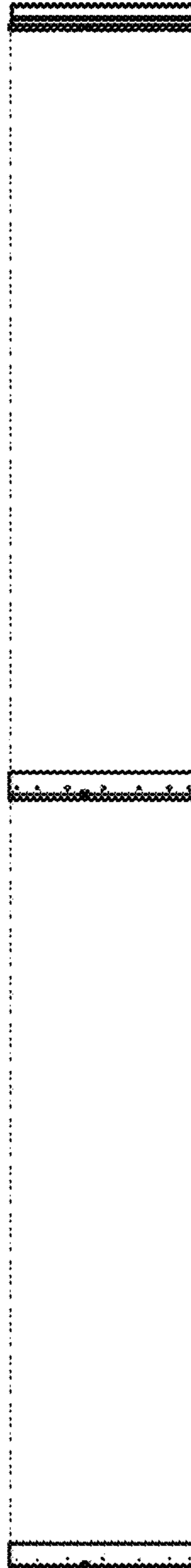
JP			2016153579	A	*	8/2016	E02D 5/24
JP			D1565080		*	12/2016		
JP			D1631784		*	5/2019		

* cited by examiner

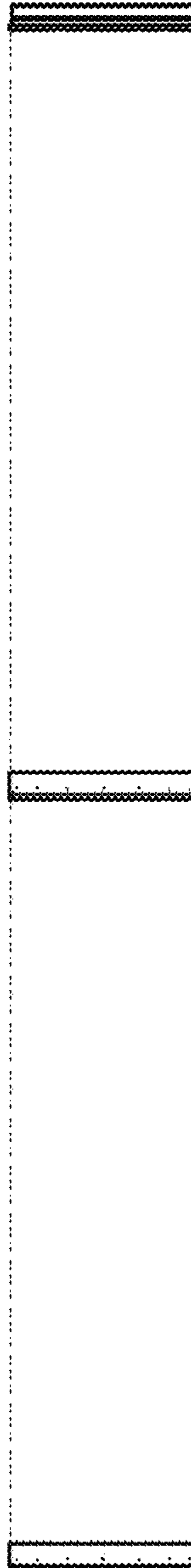
1.1



1.2



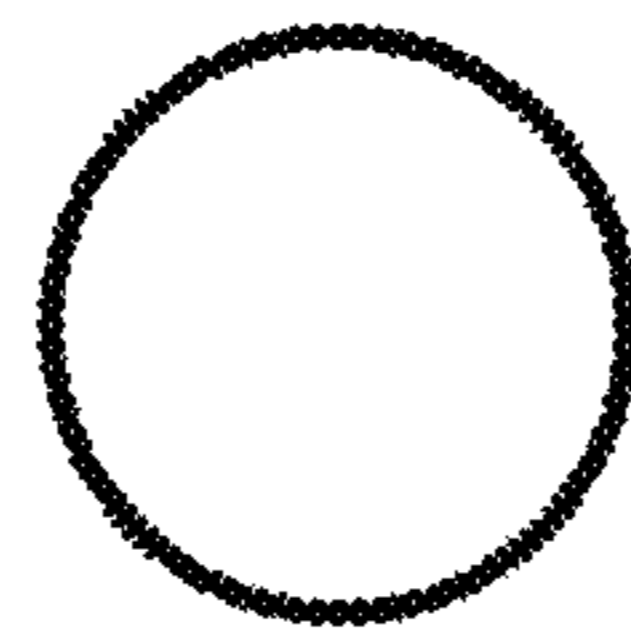
1.3



1.4

1.6 ←

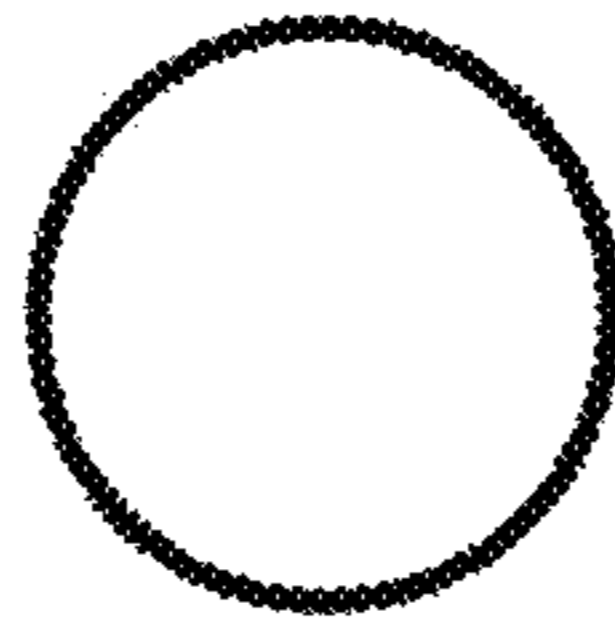
1.7 ←



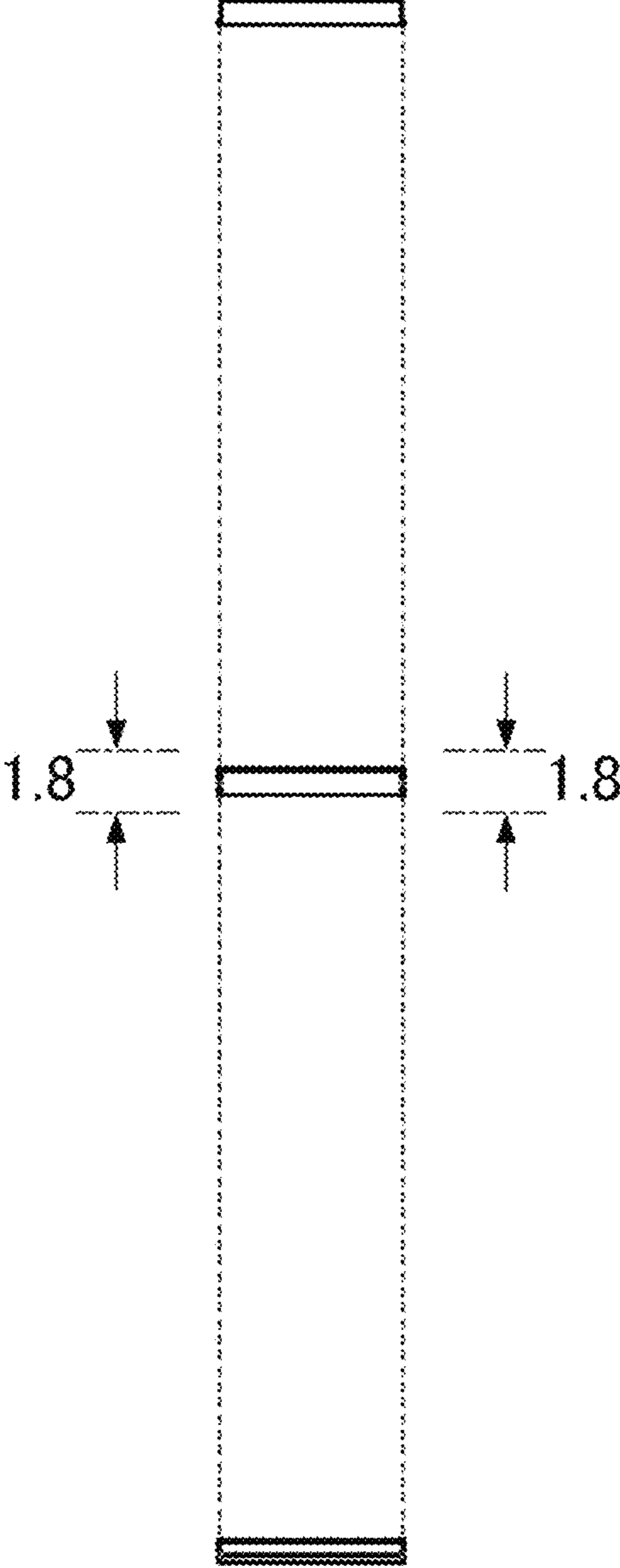
1.7 ←

1.6 ←

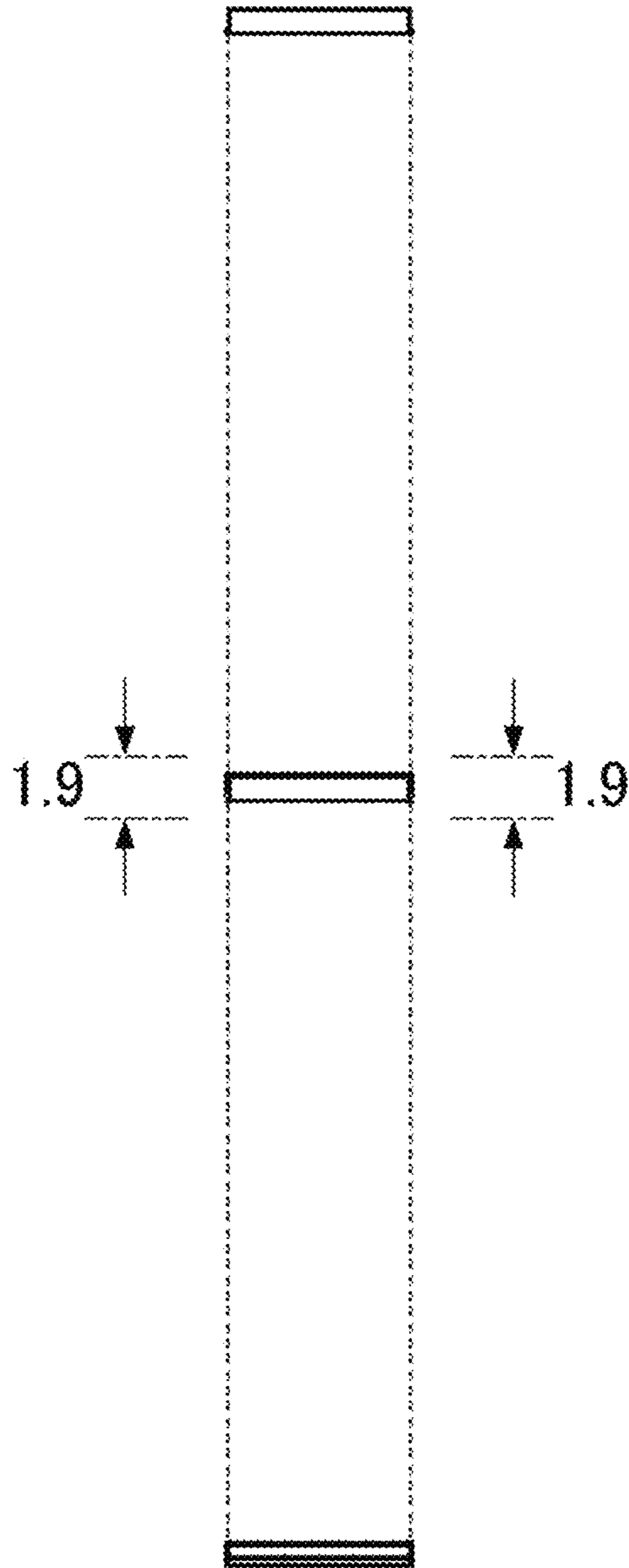
1.5



1.6



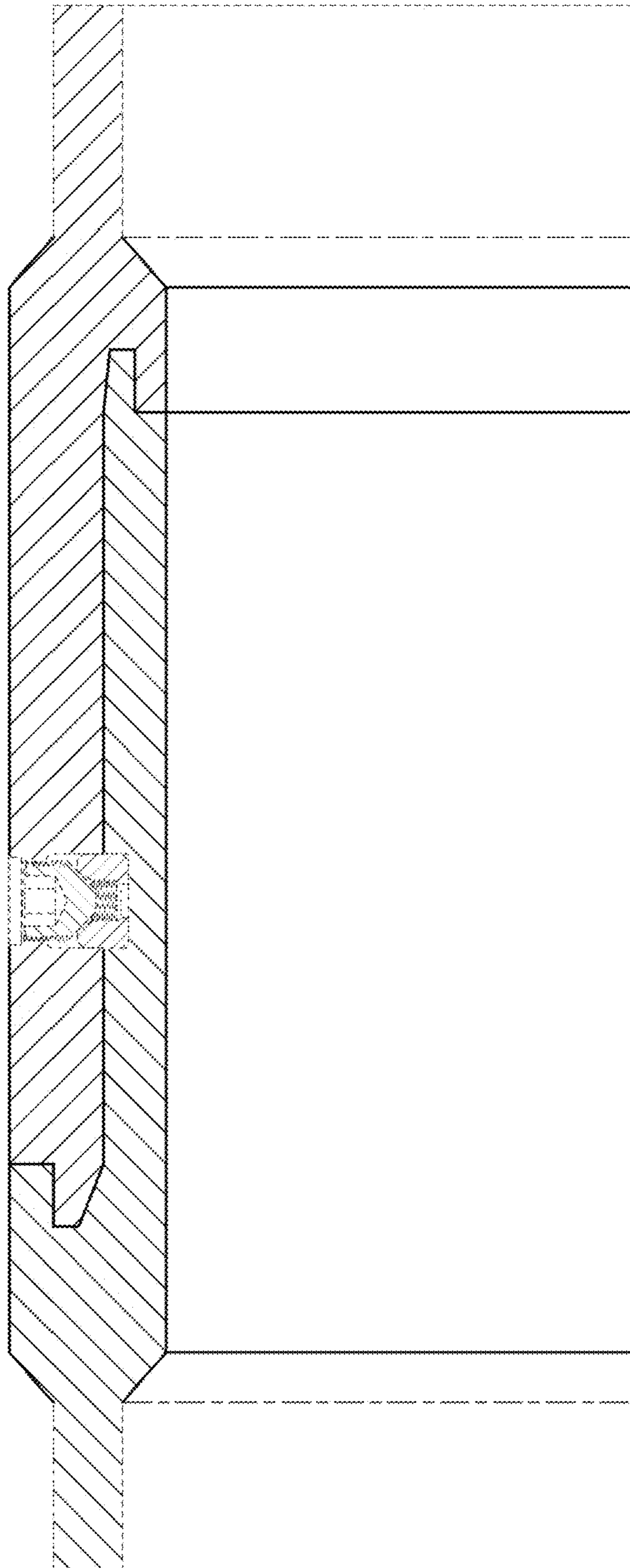
1.7



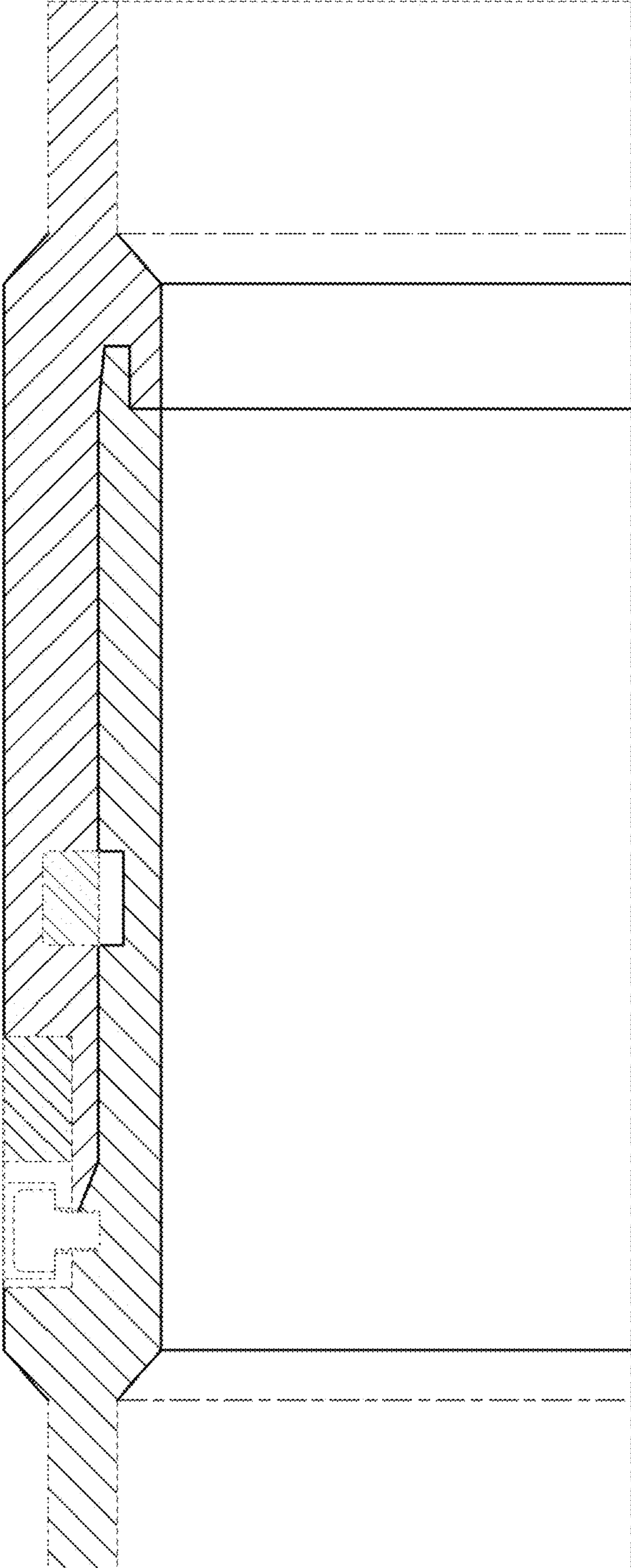




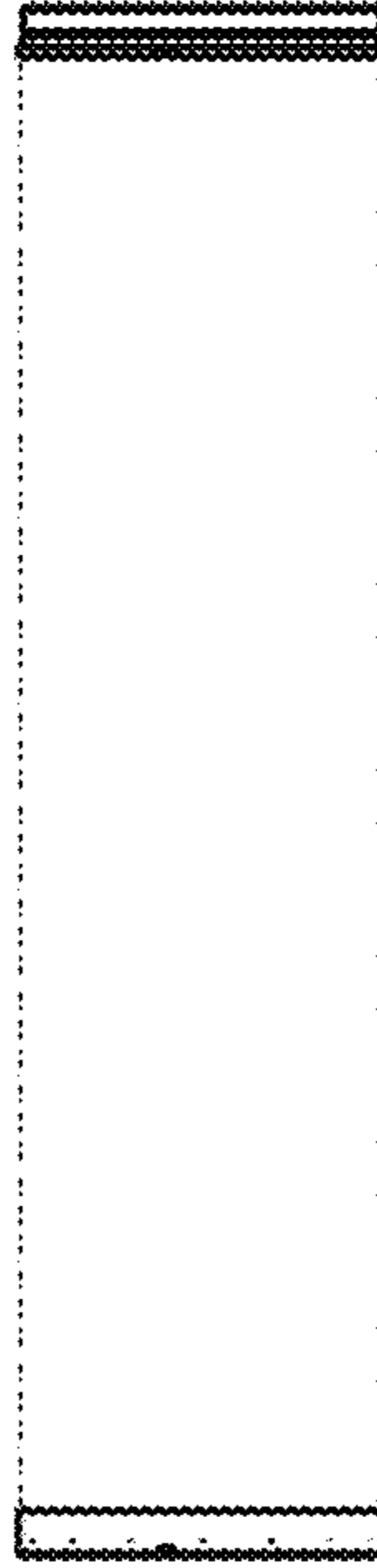
1.10



1.11



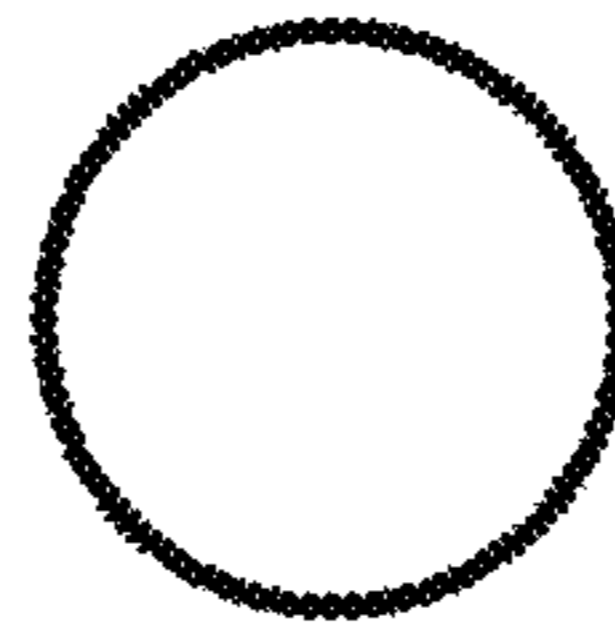
1.12



1.13

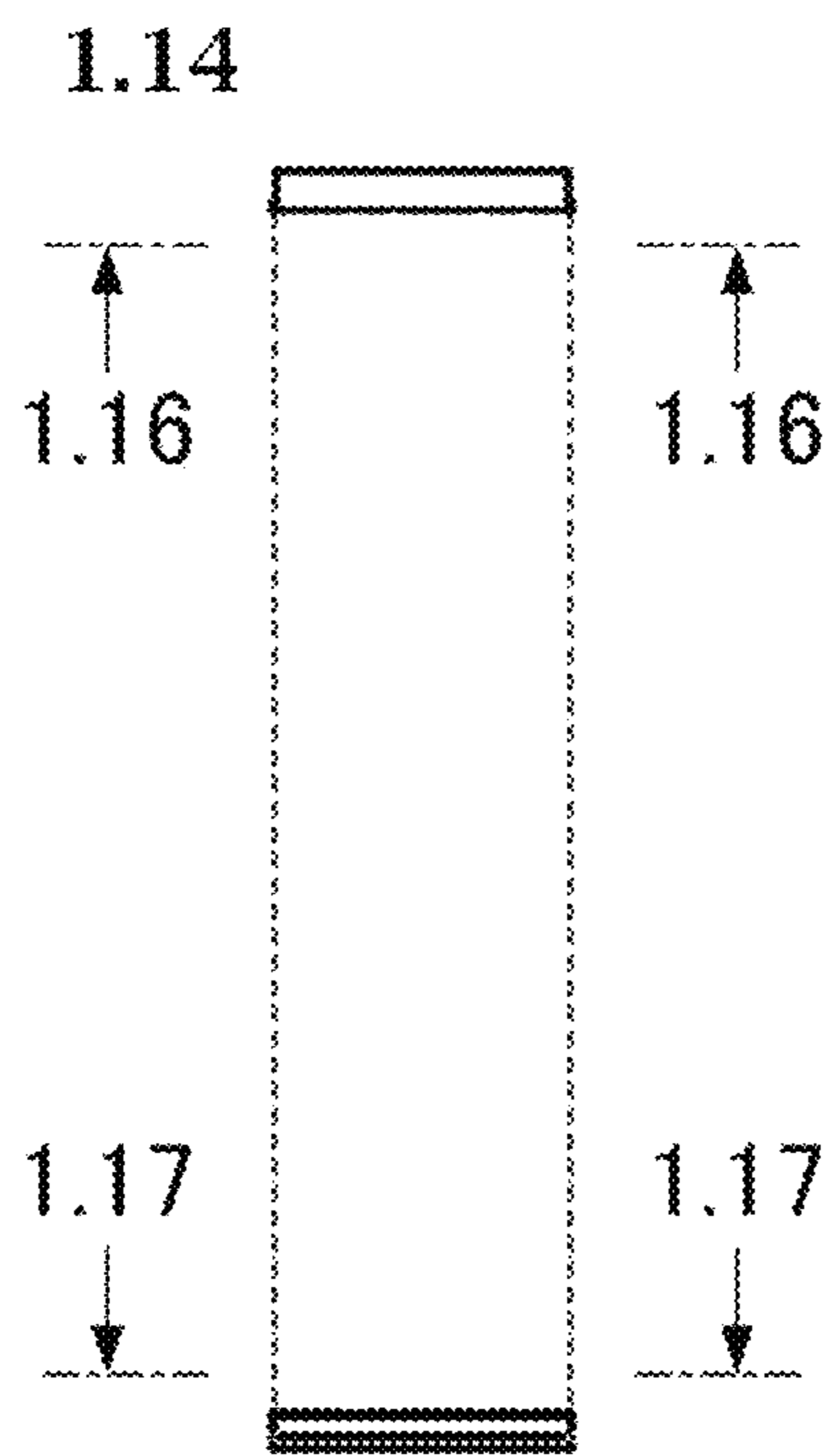
1.14 ←

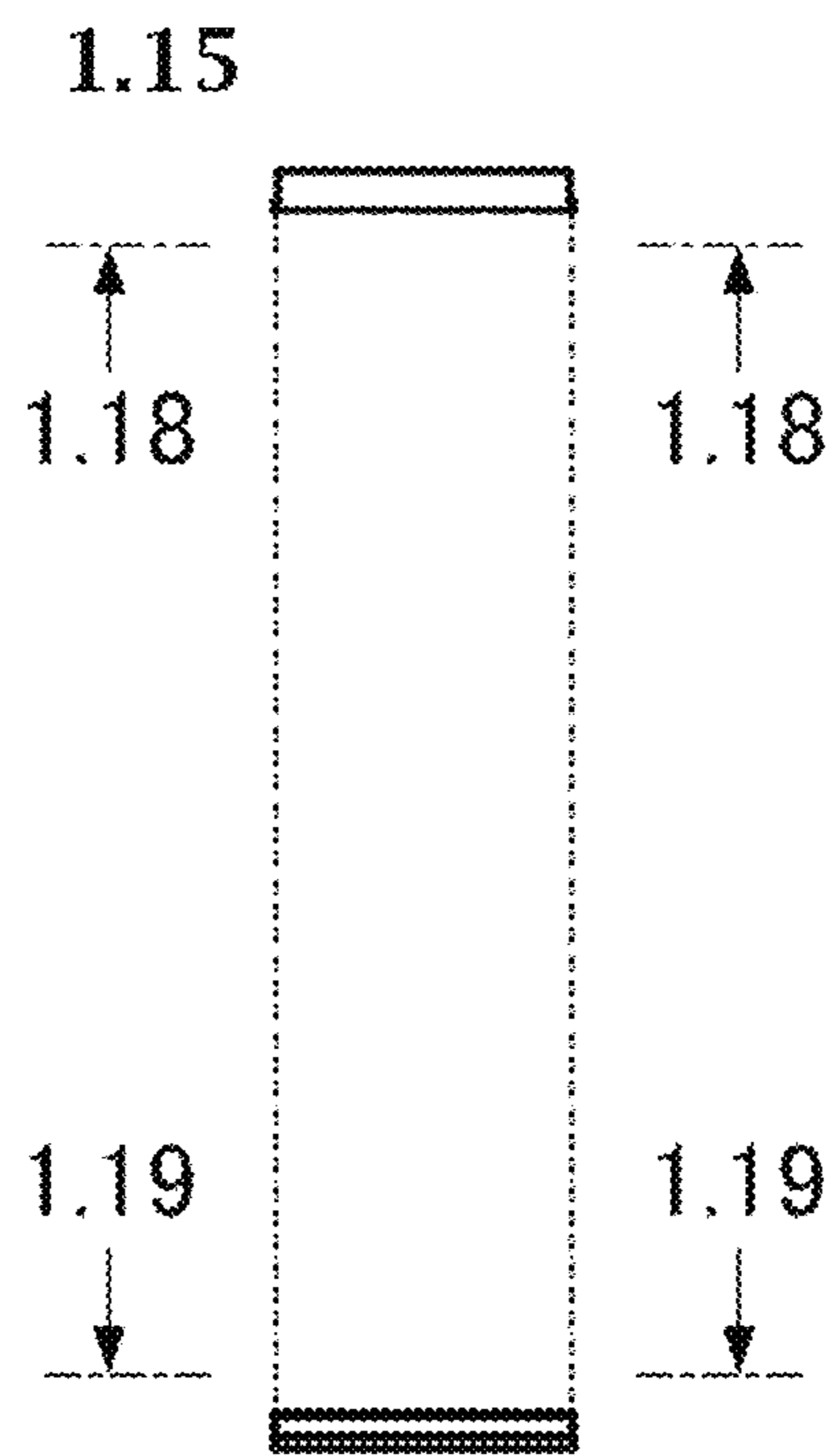
1.15 ←



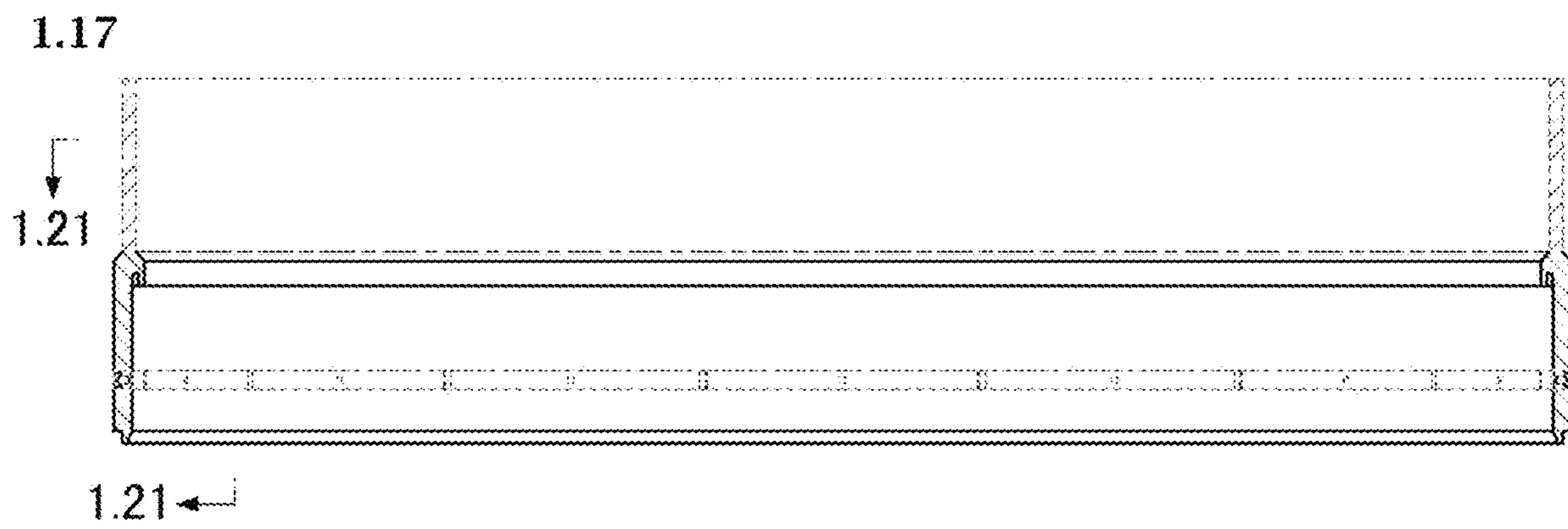
1.15 ←

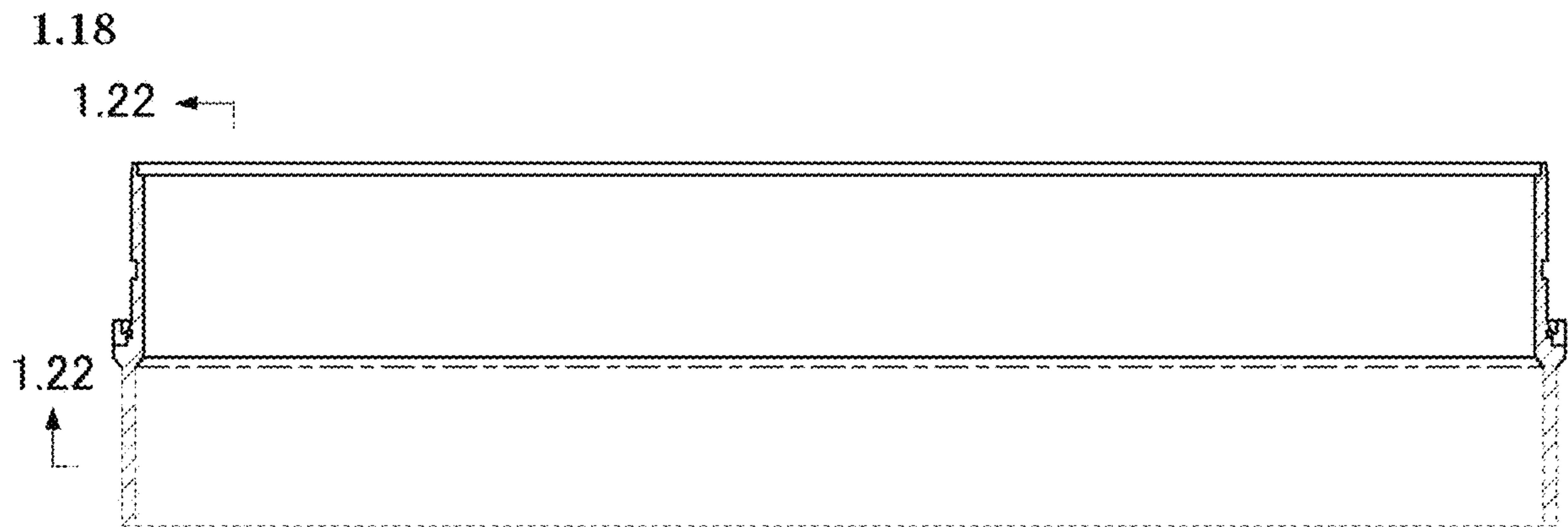
1.14 ←

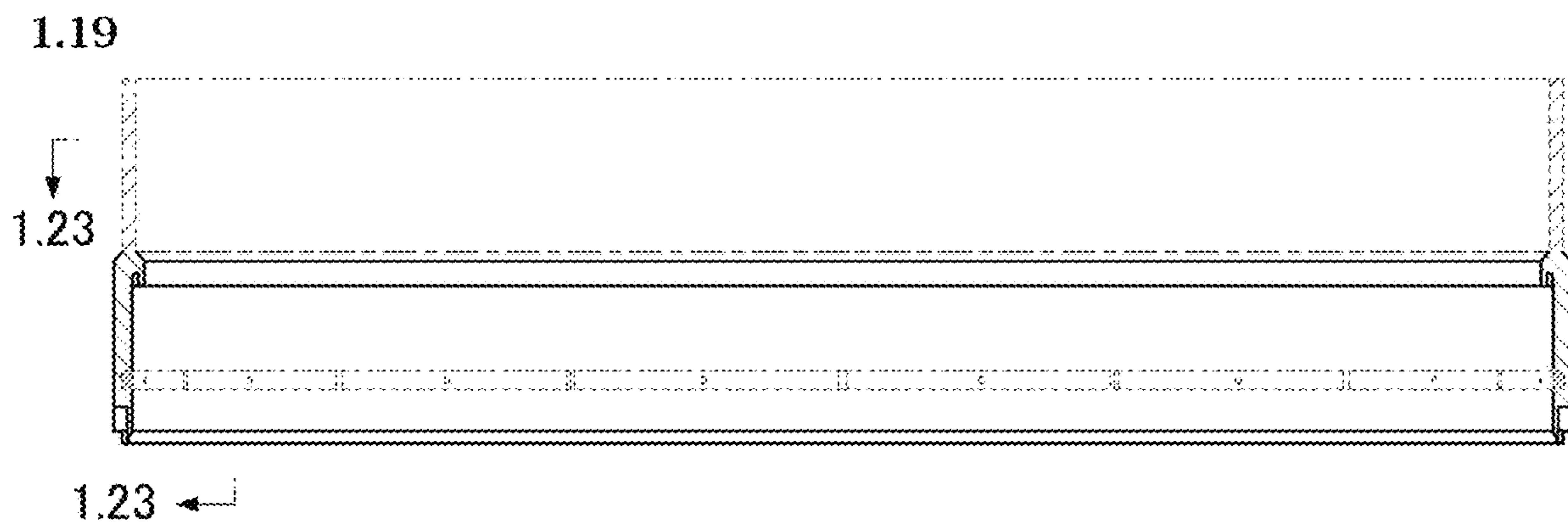




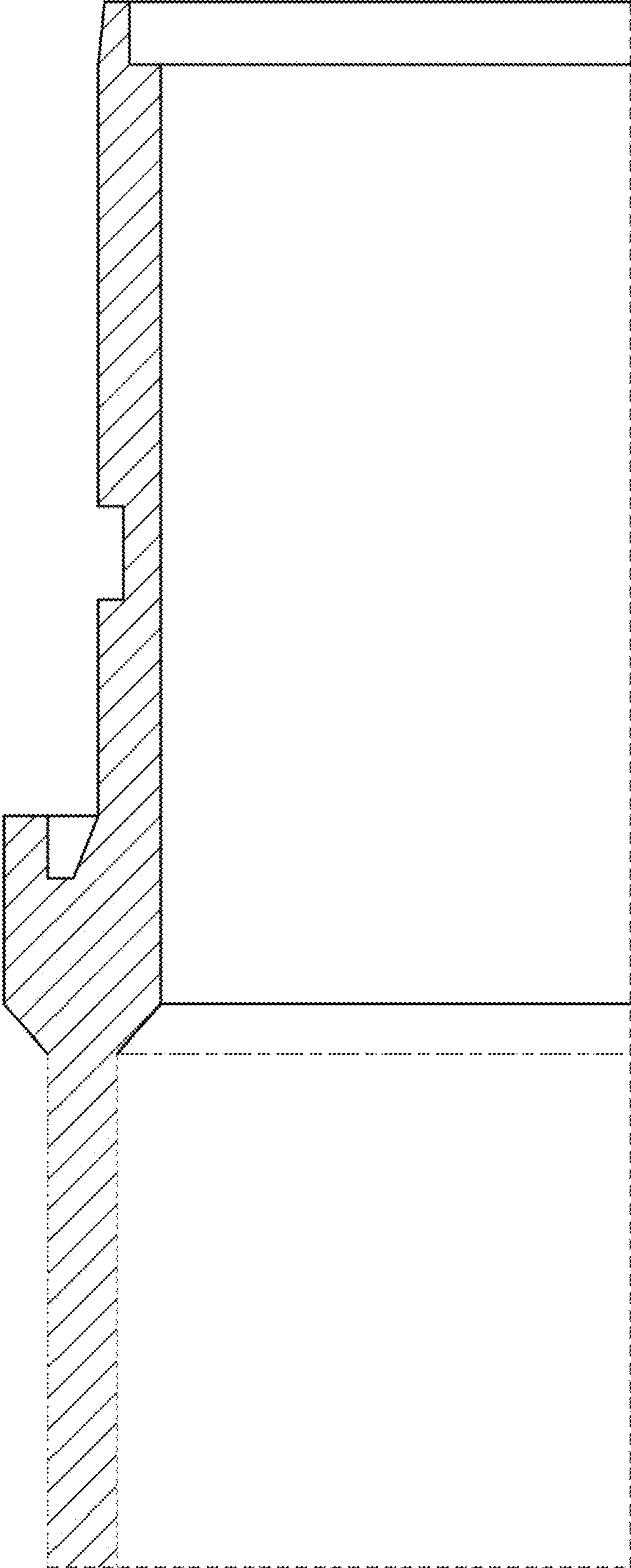




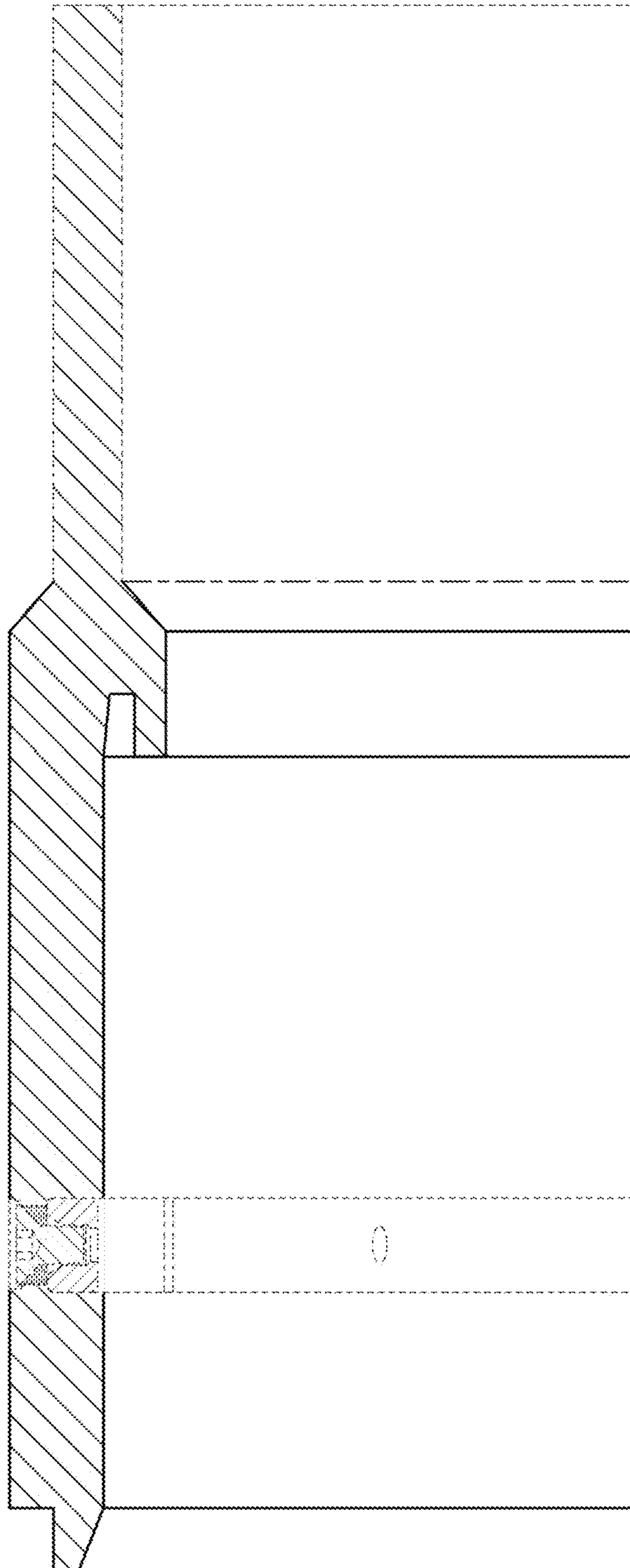




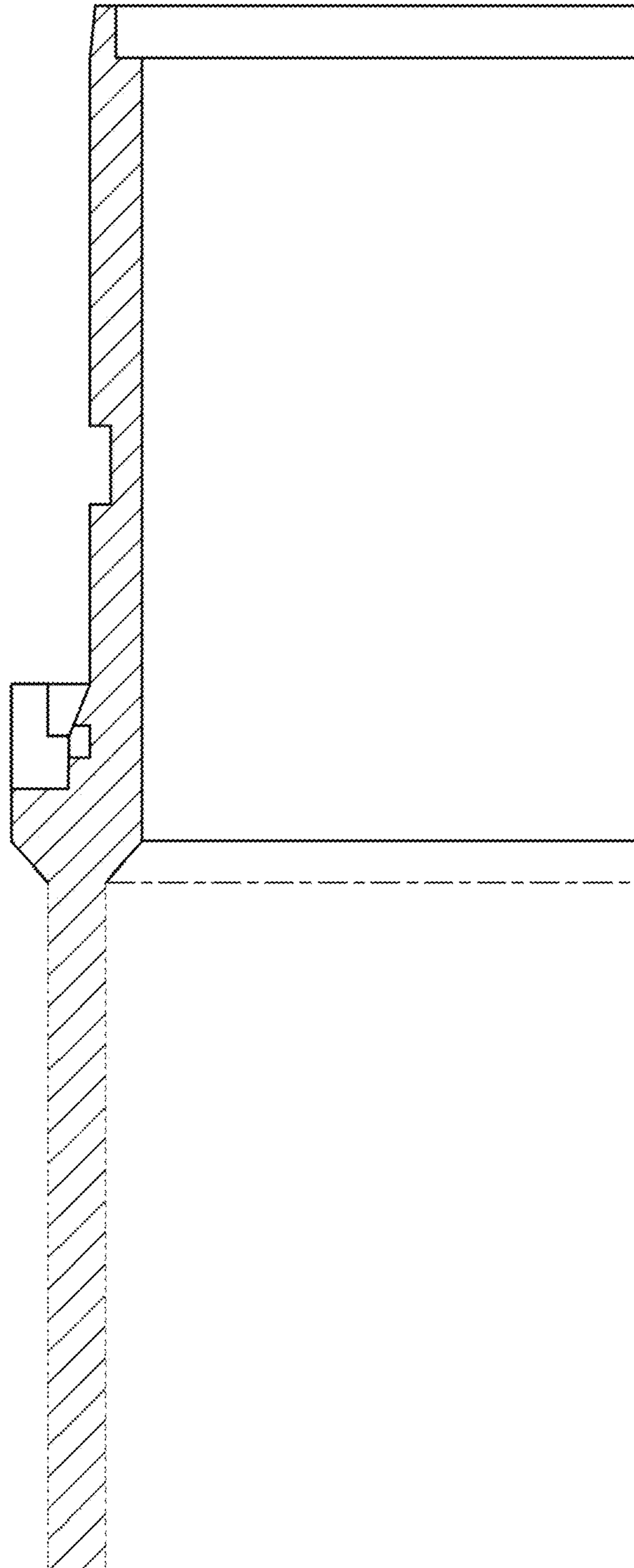
1.20



1.21



1.22



1.23

