



US00D988480S

(12) **United States Design Patent** (10) **Patent No.:** **US D988,480 S**
Liu (45) **Date of Patent:** **** Jun. 6, 2023**

(54) **PIPE JOINT**

(71) Applicant: **Tao Liu**, Changzhou (CN)

(72) Inventor: **Tao Liu**, Changzhou (CN)

(**) Term: **15 Years**

(21) Appl. No.: **29/869,562**

(22) Filed: **Jan. 4, 2023**

(51) **LOC (14) Cl.** **23-01**

(52) **U.S. Cl.**
USPC **D23/262**

(58) **Field of Classification Search**
USPC D23/259, 262, 266, 233, 260, 263–265,
D23/268; D8/347, 354, 382; D15/140;
D13/155
CPC F16L 21/002; F16L 19/041; F16L 5/10;
F16L 25/12; F16L 13/0209; F16L
2201/10; F16L 27/113; F16L 57/005;
F16L 55/1715; F16L 31/00; F16L 49/02;
F16L 59/025; F16L 27/1274
See application file for complete search history.

(56) **References Cited**

U.S. PATENT DOCUMENTS

D282,867 S * 3/1986 Ryan D23/259
D345,197 S * 3/1994 Potter D23/266
D418,210 S * 12/1999 Roesch D23/262
D450,814 S * 11/2001 Aldred D15/140
D466,595 S * 12/2002 Glanville D23/259
D480,453 S * 10/2003 Filer D23/262
D480,454 S * 10/2003 Filer D23/262
D532,947 S * 11/2006 Muscarella D32/31

D612,917 S * 3/2010 Eilertson D23/266
D617,428 S * 6/2010 Bachmann
D712,013 S * 8/2014 Mather D23/259
D742,482 S * 11/2015 Wall D23/259
D776,795 S * 1/2017 Lucero, Jr. D23/259
D952,802 S * 5/2022 Haynes D23/259

FOREIGN PATENT DOCUMENTS

CN 303020893 * 12/2014

* cited by examiner

Primary Examiner — Amy C Wierenga

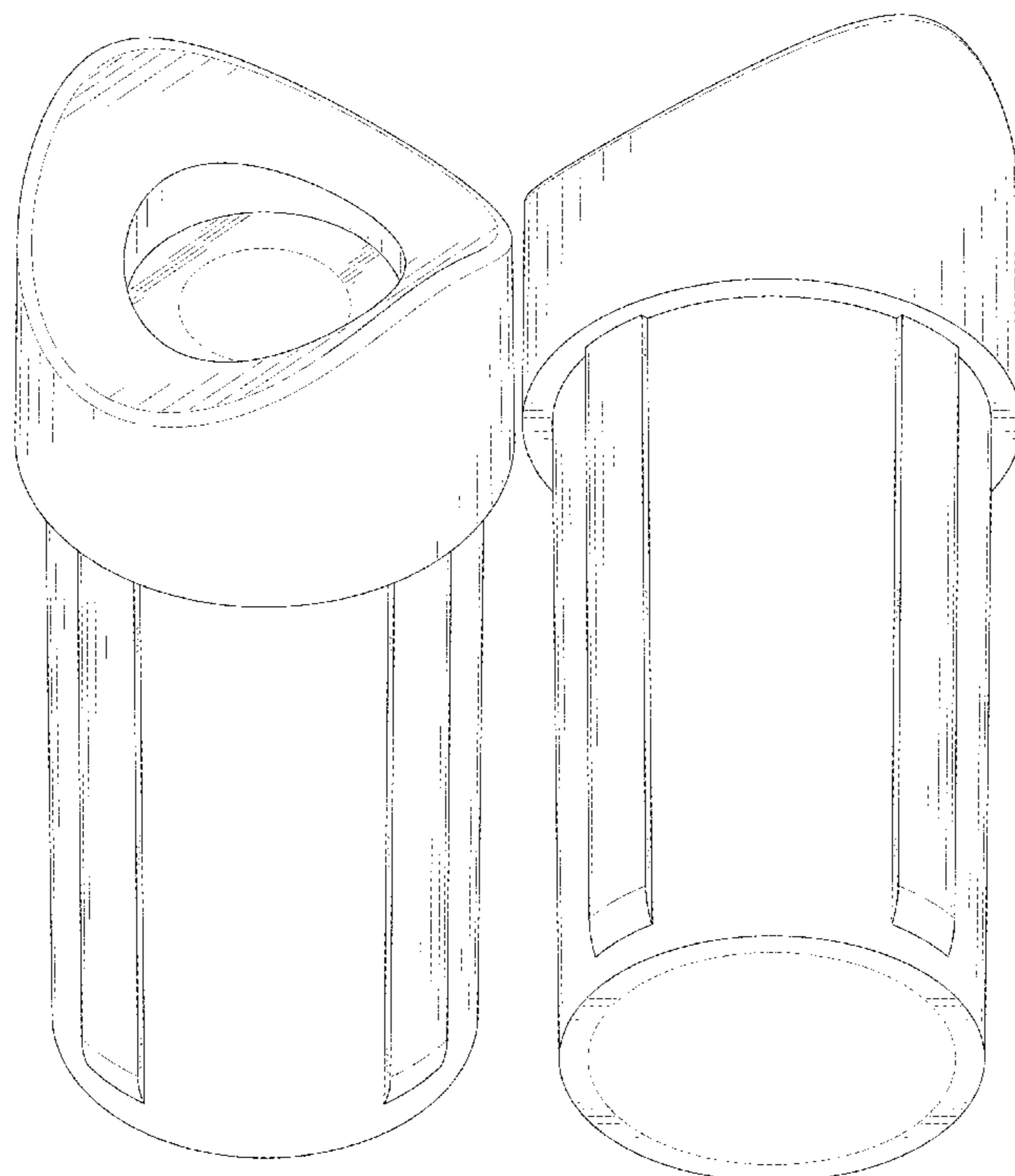
(57) **CLAIM**

The ornamental design for a pipe joint, as shown and described.

DESCRIPTION

FIG. 1 is a front and top perspective view of a pipe joint, showing my new design;
FIG. 2 is a rear and bottom perspective view thereof;
FIG. 3 is a front elevation view thereof;
FIG. 4 is a rear elevation view thereof;
FIG. 5 is a left side elevation view thereof;
FIG. 6 is a right side elevation view thereof;
FIG. 7 is a top plan view thereof;
FIG. 8 is a bottom plan view thereof; and,
FIG. 9 is another perspective view thereof, shown in an environmental position of use.
The broken lines are shown for the purpose of illustrating both parts of the pipe joint as well as environmental subject matter. None of the broken lines form part of the claimed design.

1 Claim, 9 Drawing Sheets



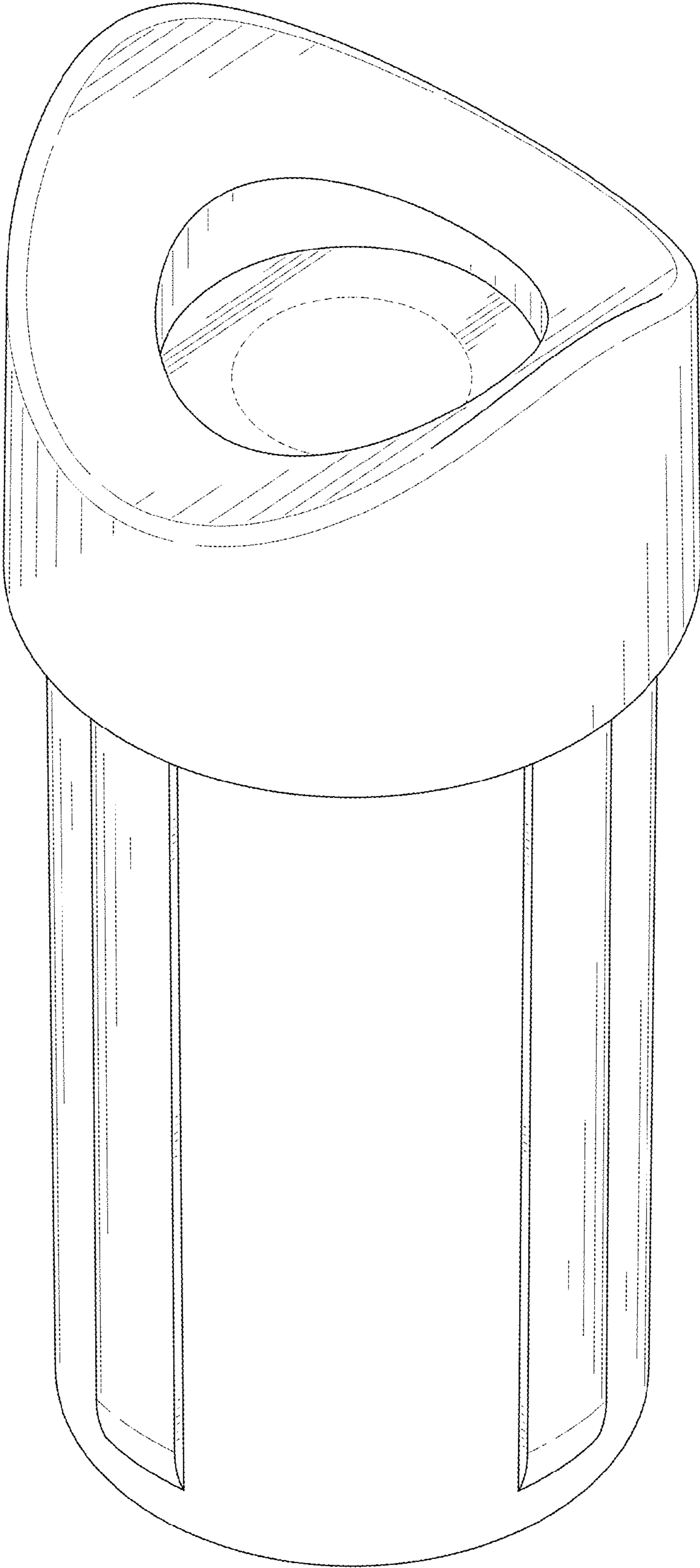


FIG. 1

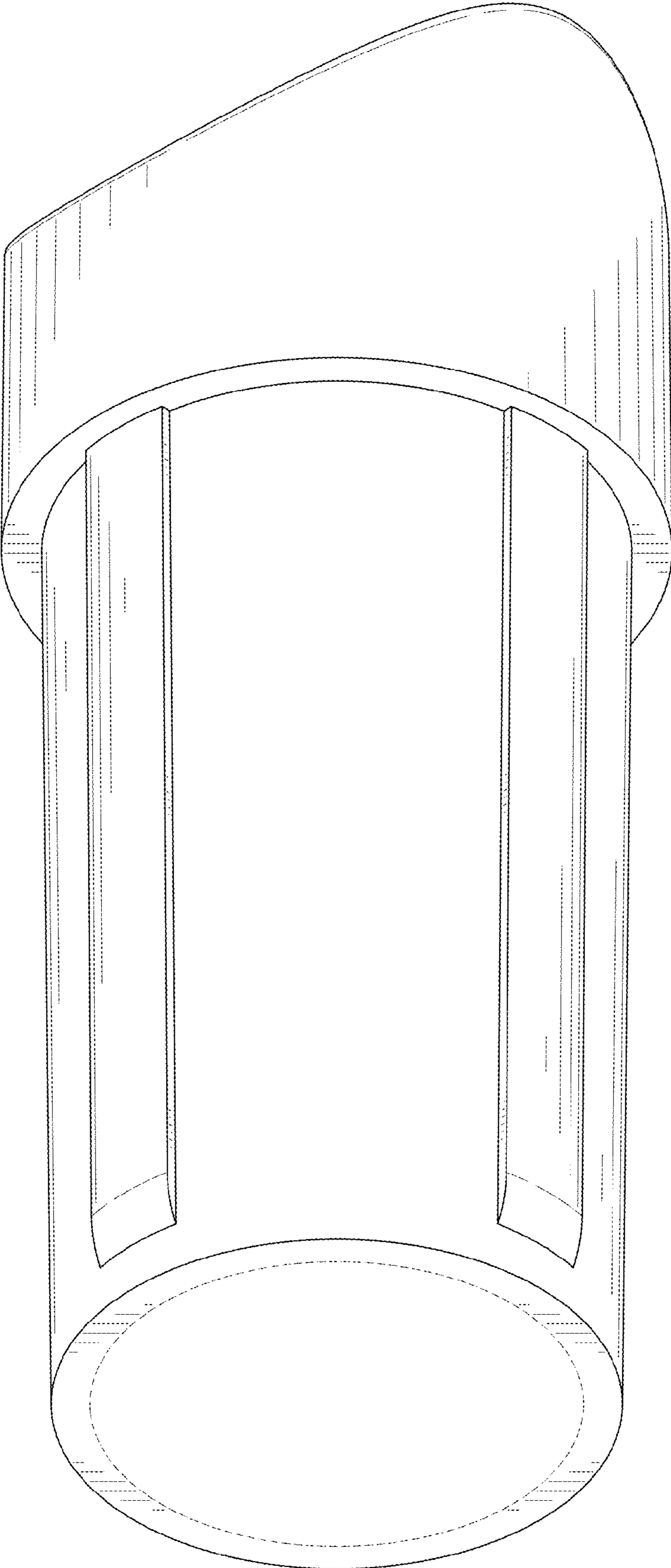


FIG. 2

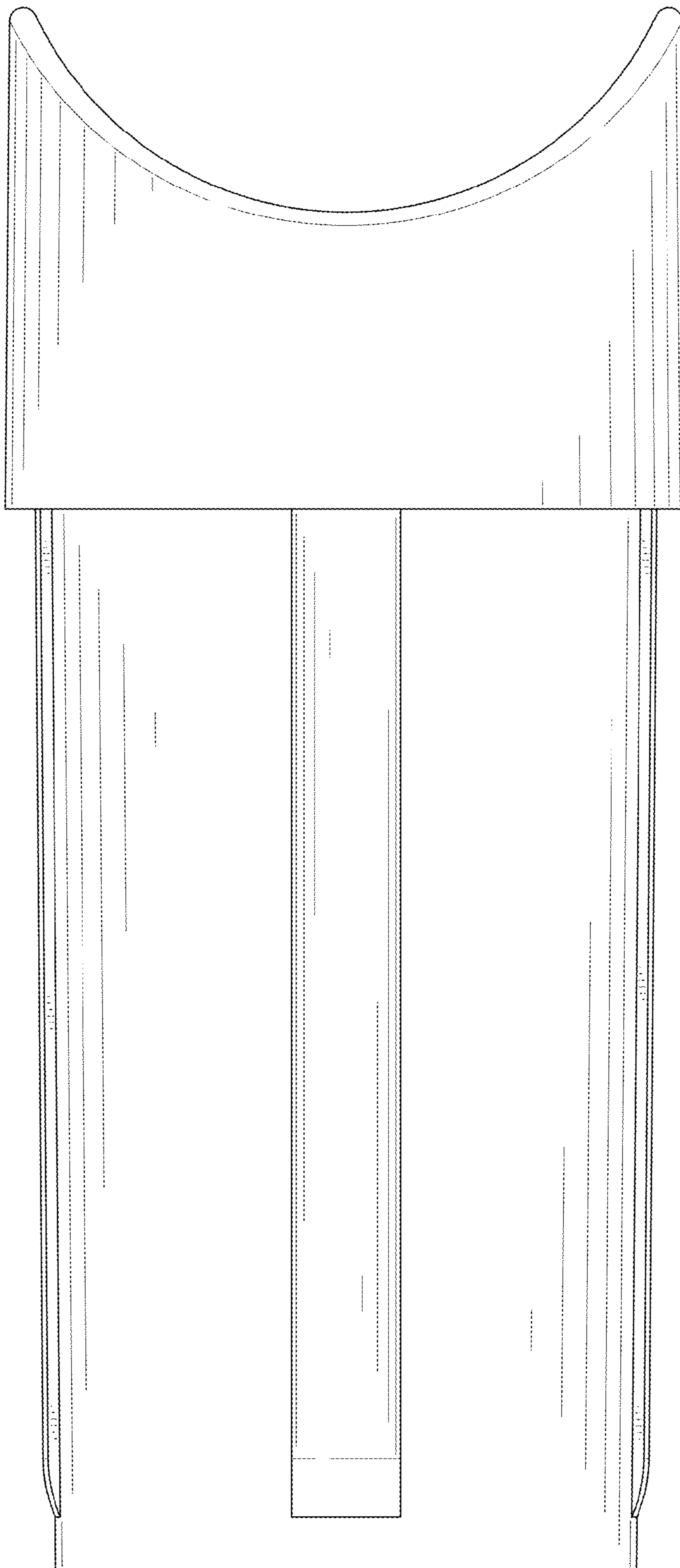


FIG. 3

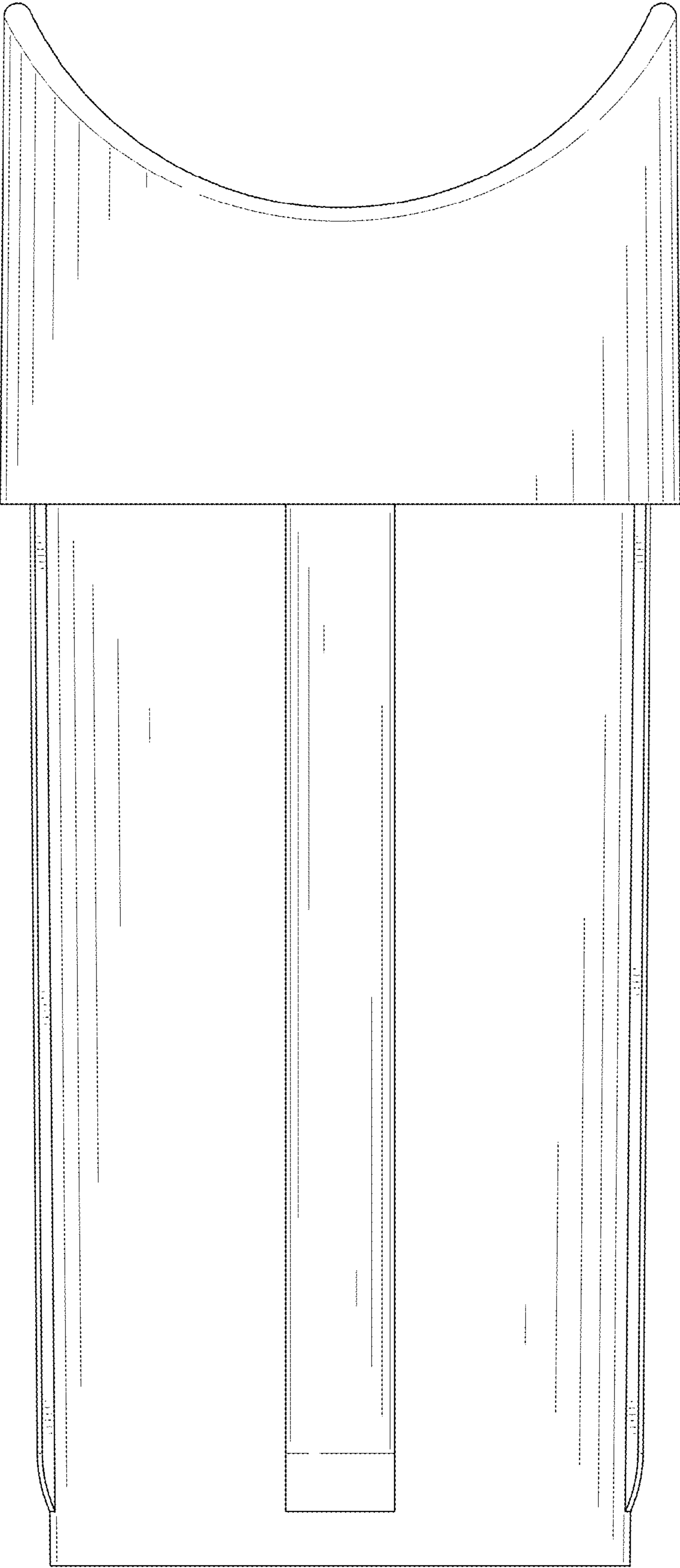


FIG. 4

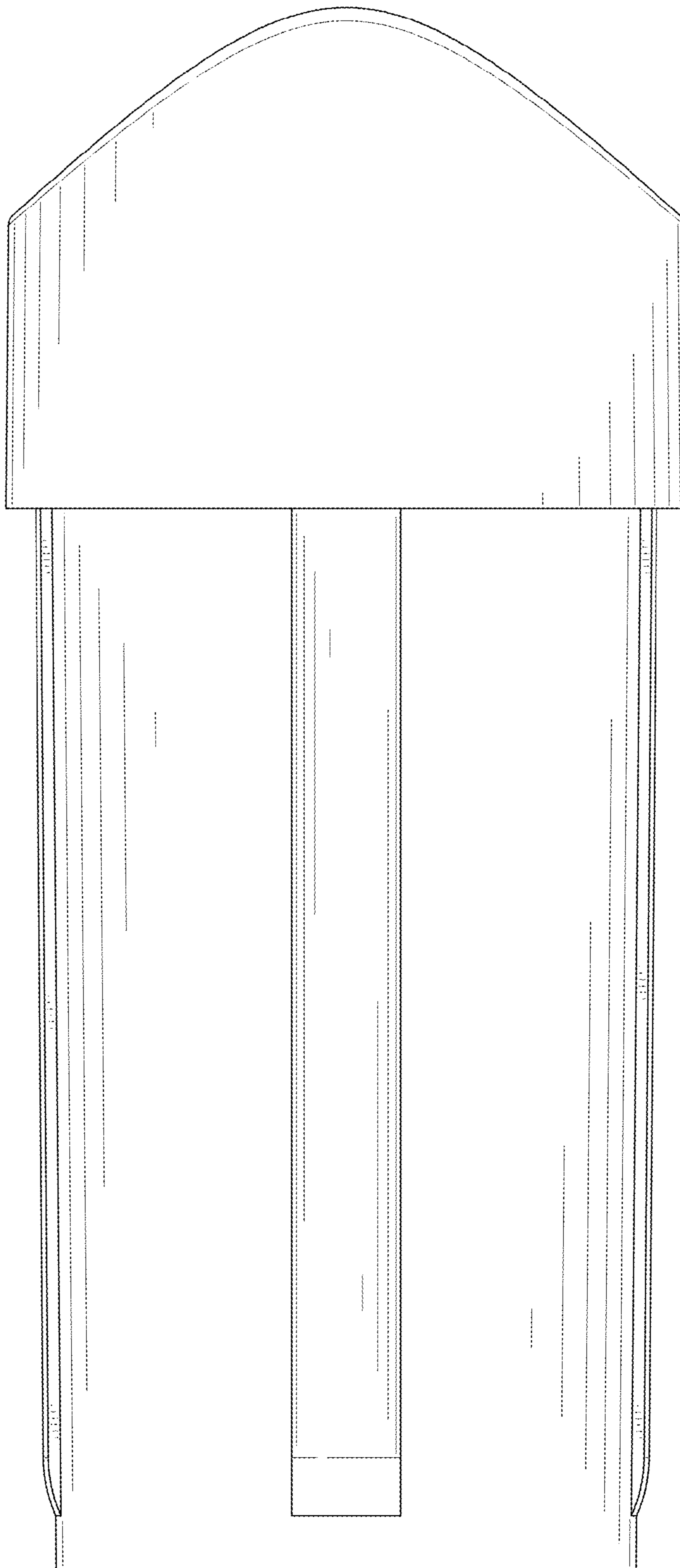


FIG. 5

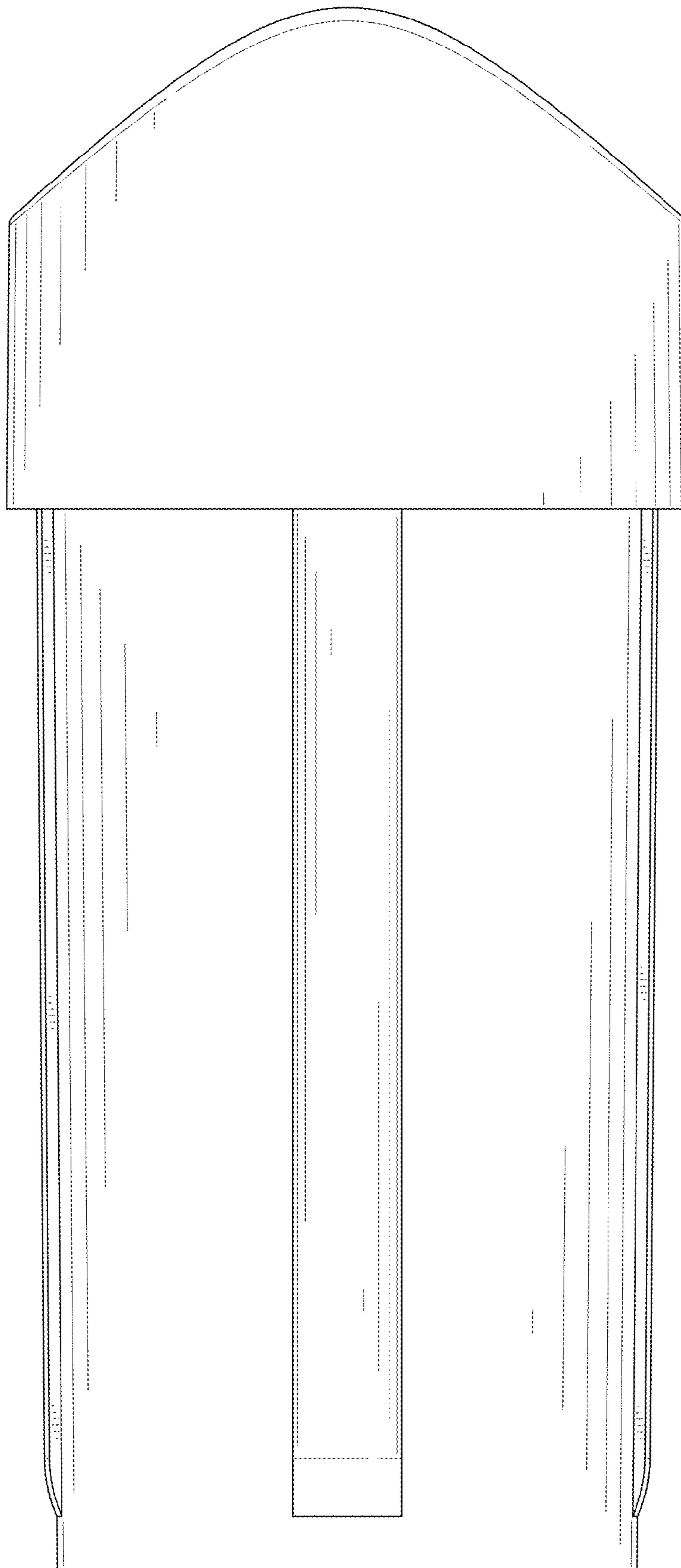


FIG. 6

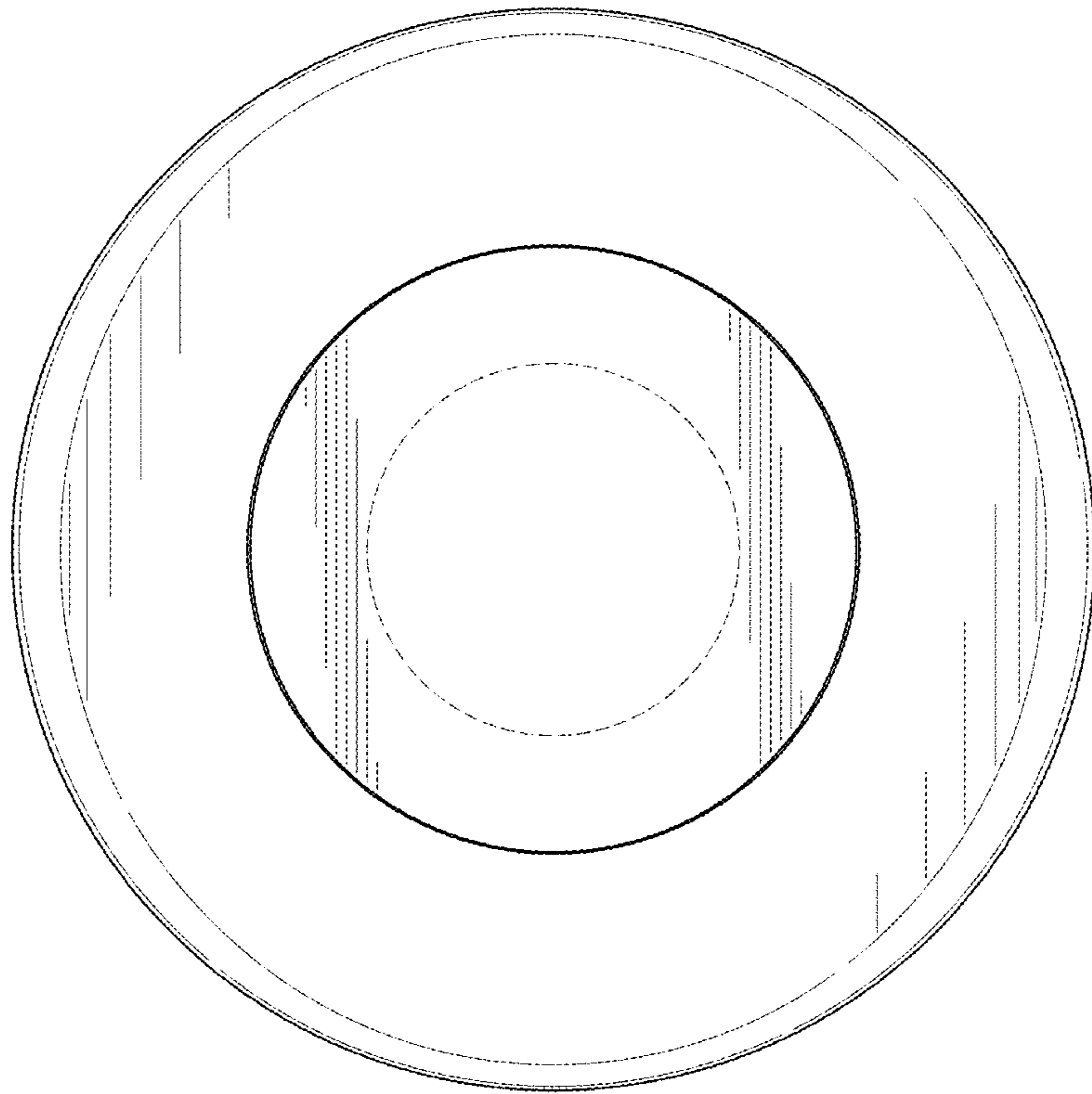


FIG. 7

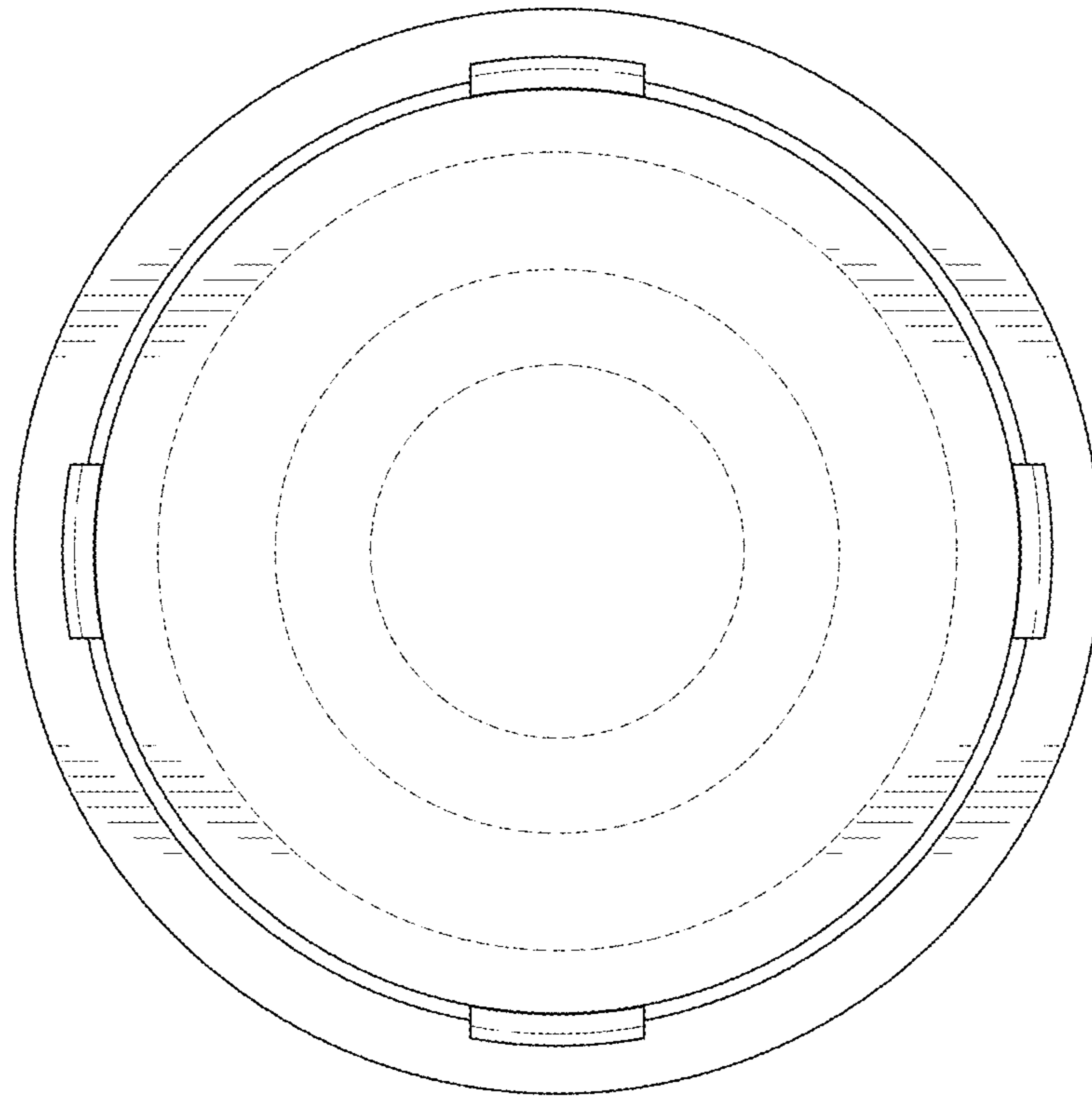


FIG. 8

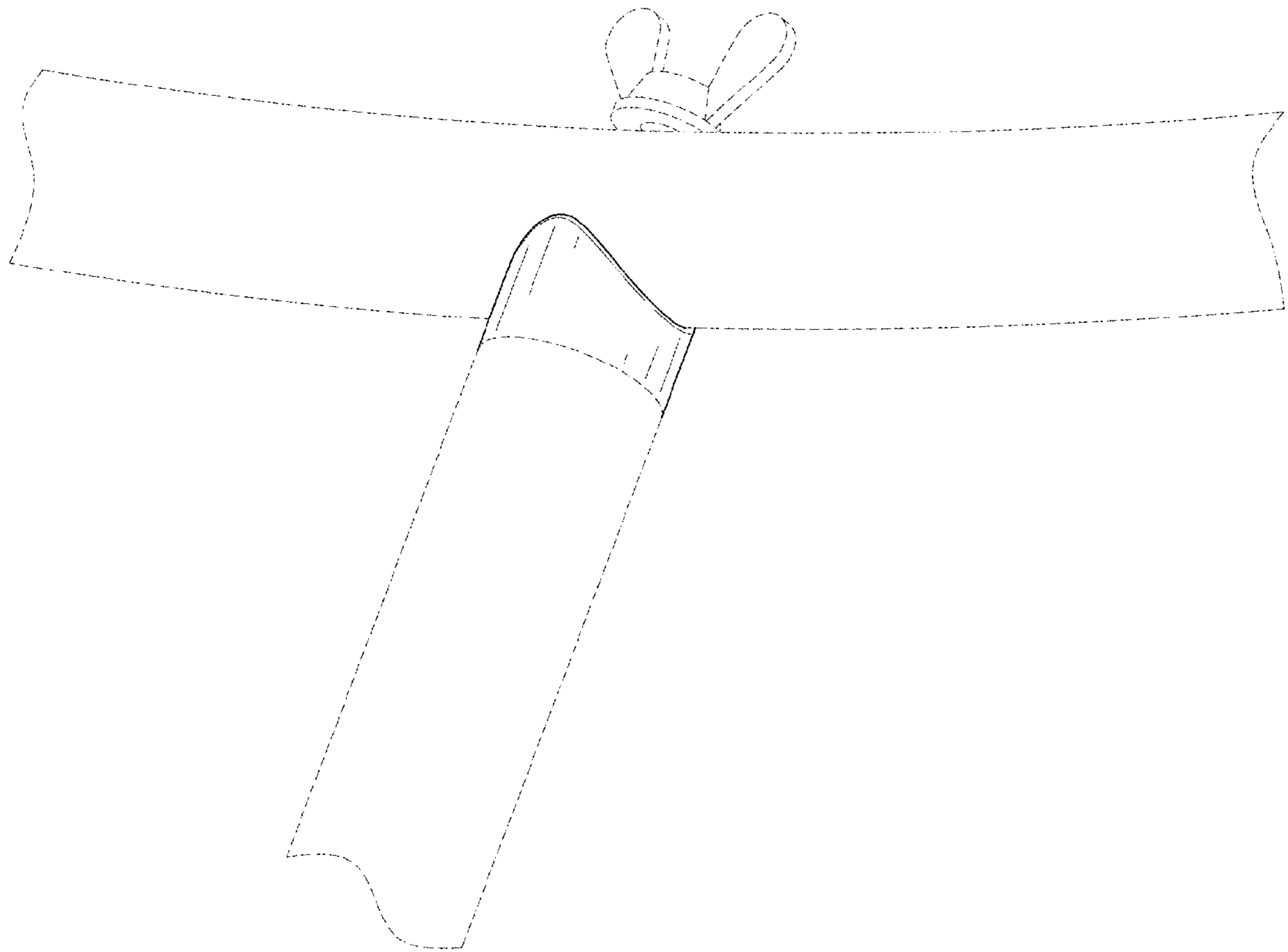


FIG. 9