



US00D988477S

(12) **United States Design Patent** (10) **Patent No.:** **US D988,477 S**
Hasselwander et al. (45) **Date of Patent:** **** Jun. 6, 2023**

(54) **FAUCET**
(71) Applicant: **HANSGROHE SE**, Schiltach (DE)
(72) Inventors: **Stefan Hasselwander**, Esslingen (DE);
Andreas Diefenbach,
Ludwigsburg-Ossweil (DE)
(73) Assignee: **Hansgrohe SE**, Schiltach (DE)
(**) Term: **15 Years**
(21) Appl. No.: **29/775,384**
(22) Filed: **Mar. 23, 2021**

(30) **Foreign Application Priority Data**

Oct. 5, 2020 (EM) 008194781-0008

(51) **LOC (14) Cl.** **23-01**

(52) **U.S. Cl.**
USPC **D23/238**

(58) **Field of Classification Search**
USPC D23/238, 239, 240, 241, 242, 243, 246,
D23/247, 249, 250, 251, 252, 253, 254,
D23/255, 256, 257
CPC E03C 1/01; E03C 1/0409; E03C 1/025;
E03C 1/0408; E03C 1/04; E03C 1/0401;
E03C 1/0402; E03C 1/0405; E03C
1/0412

See application file for complete search history.

(56) **References Cited**

U.S. PATENT DOCUMENTS

D513,792 S * 1/2006 Kennard D23/255
D516,677 S * 3/2006 Haug D23/243
D518,153 S * 3/2006 Theberge D23/255
D526,388 S * 8/2006 Haug D23/238
D527,807 S * 9/2006 Haug D23/255
D531,702 S * 11/2006 Haug D23/252
D534,245 S * 12/2006 Egli D23/238

D579,520 S * 10/2008 Chenesseau D23/238
D592,733 S * 5/2009 Lammel D23/255
D602,570 S * 10/2009 Lammel D23/242
D605,261 S * 12/2009 Allard D23/255
D607,543 S * 1/2010 Allard D23/255
D643,908 S * 8/2011 Sieger D23/238

(Continued)

FOREIGN PATENT DOCUMENTS

CN 201030296891 * 8/2010
CN 301949080 6/2012

(Continued)

OTHER PUBLICATIONS

Amazon, HoLight Modern Square High Arc Kitchen Sink Mixer Tap, posted Nov. 17, 2021, [online], [visited Dec. 30, 2022]. Internet, < URL: <https://www.amazon.co.uk/HoLight-Monobloc-Stainless-Rectangle-Professional/dp/B09M3NKPHZ/ref>> (Year: 2021).*

(Continued)

Primary Examiner — Samantha Wood

(74) *Attorney, Agent, or Firm* — Lora J. Graentzdoerffer

(57) **CLAIM**

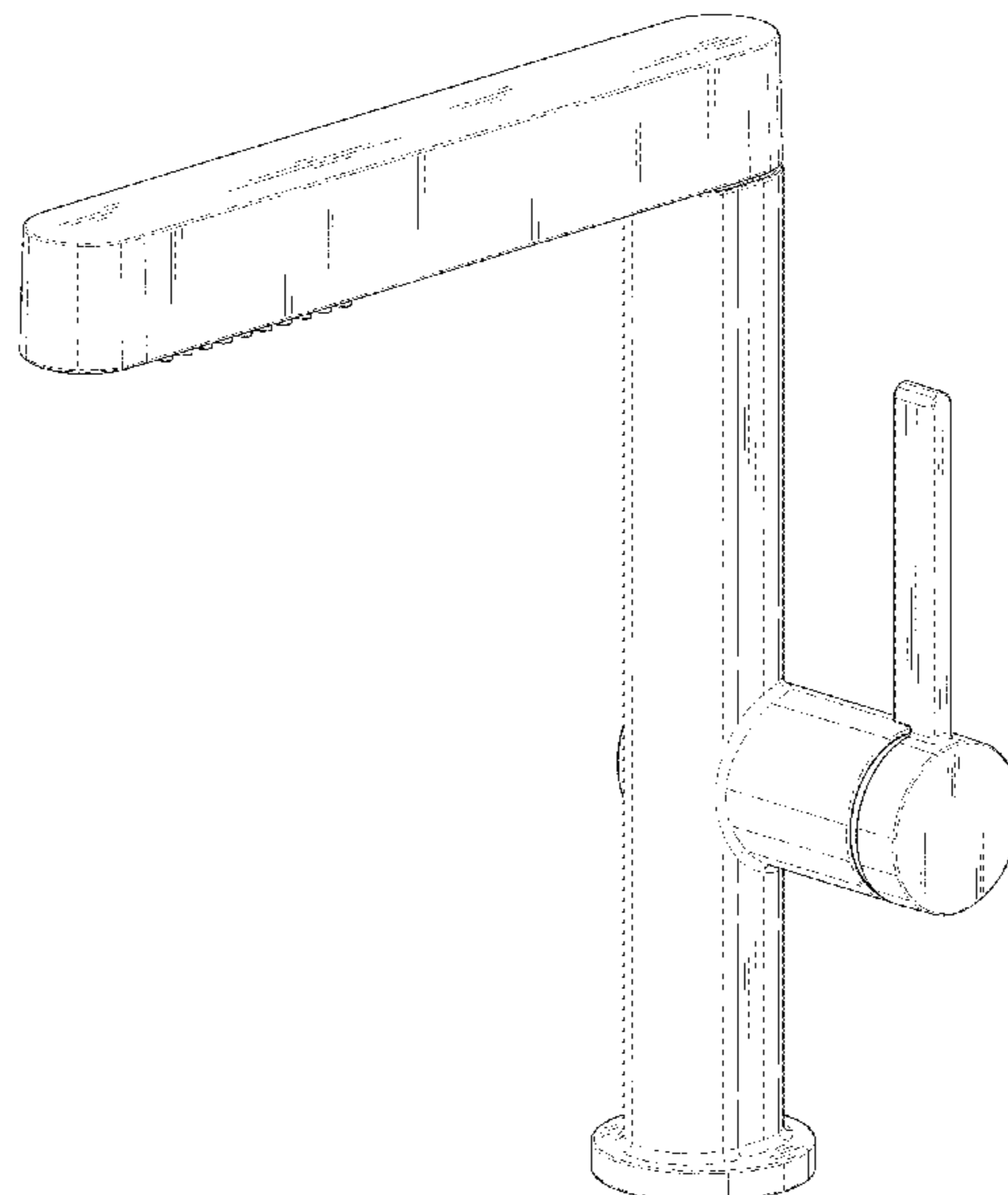
The ornamental design for a faucet, as shown and described.

DESCRIPTION

FIG. 1 is a perspective view of a faucet showing our design; FIG. 2 is a front elevational view; FIG. 3 is a rear elevational view; FIG. 4 is a side elevational view; FIG. 5 is a side elevational view; FIG. 6 is a top plan view; and, FIG. 7 is a bottom plan view.

The broken lines are included for the purpose of illustrating portions of the article and forms no part of the claimed design.

1 Claim, 7 Drawing Sheets



(56)

References Cited

U.S. PATENT DOCUMENTS

D680,627	S	*	4/2013	Lord	D23/255
D713,012	S	*	9/2014	Citterio	D23/252
D713,016	S	*	9/2014	Citterio	D23/255
D718,843	S	*	12/2014	Garland	D23/255
D757,231	S	*	5/2016	Garland	D23/257
D811,533	S	*	2/2018	Schoenherr	D23/238
D837,948	S	*	1/2019	Soulier	D23/255
D897,502	S	*	9/2020	Kang	D23/255
D913,446	S	*	3/2021	Seum	D23/239
D915,553	S	*	4/2021	Seum	D23/238
D931,984	S	*	9/2021	Zhen	D23/238

FOREIGN PATENT DOCUMENTS

CN	303199370	5/2015
CN	304322856	10/2017

CN	200830210419	* 10/2018
CN	201930073982.0	* 2/2019
CN	305223581	6/2019
CN	305303244	8/2019
CN	305385911	10/2019
CN	305460460	11/2019
CN	305460489	11/2019
CN	305511058	12/2019
CN	202030550186.4	* 9/2020
CN	202030773694.9	* 12/2020
EM	001668765-0013	4/2010

OTHER PUBLICATIONS

Amazon, yeulluey Kitchen Sink Mixer Tap, posted Jun. 6, 2022, [online], [visited Dec. 30, 2022]. Internet, <URL: <https://www.amazon.co.uk/yeulluey-Kitchen-Sprayer-Temperature-Display/dp/B0B38P897W/ref?th=1>> (Year: 2022).*

* cited by examiner

FIG. 1

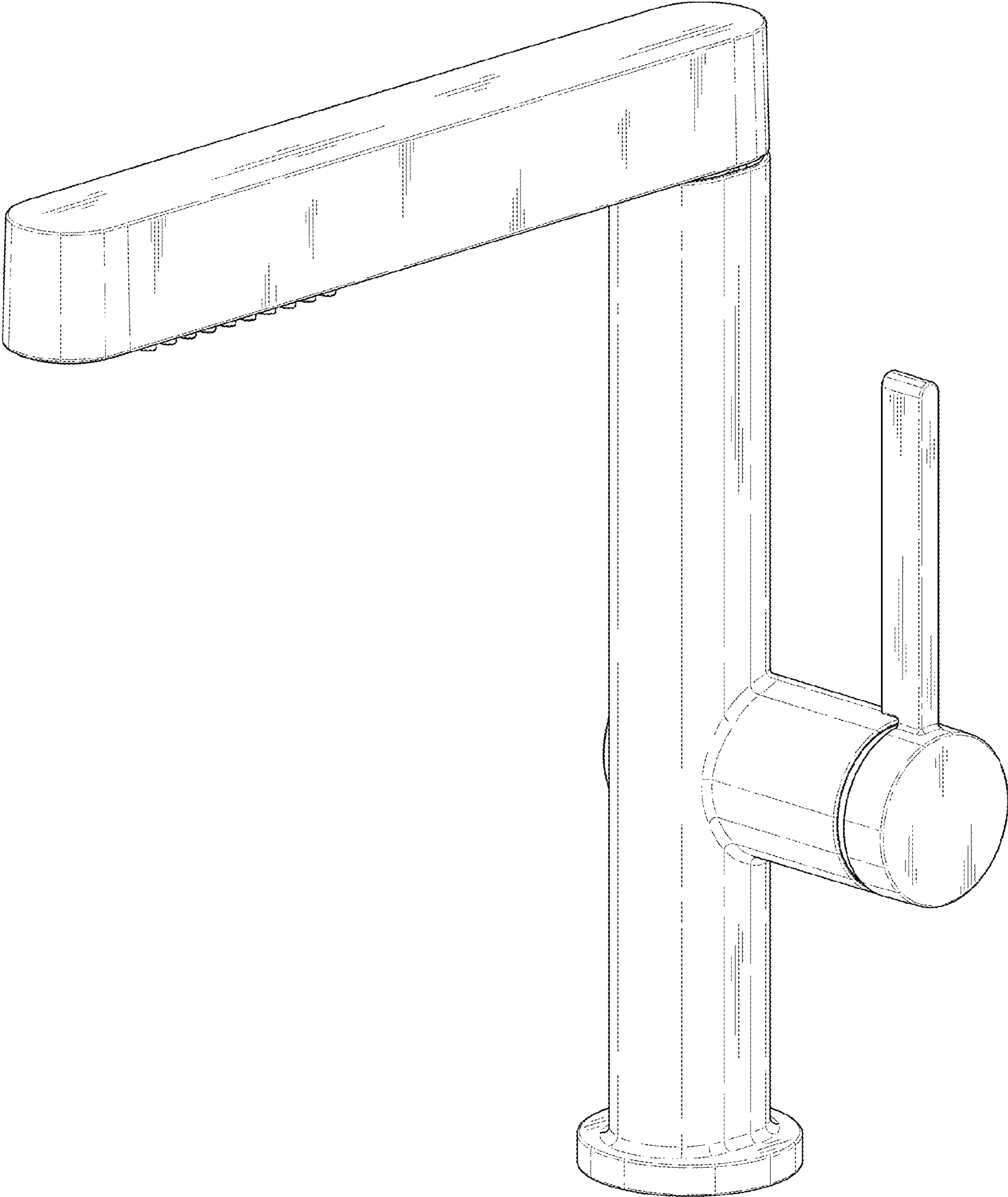


FIG. 2

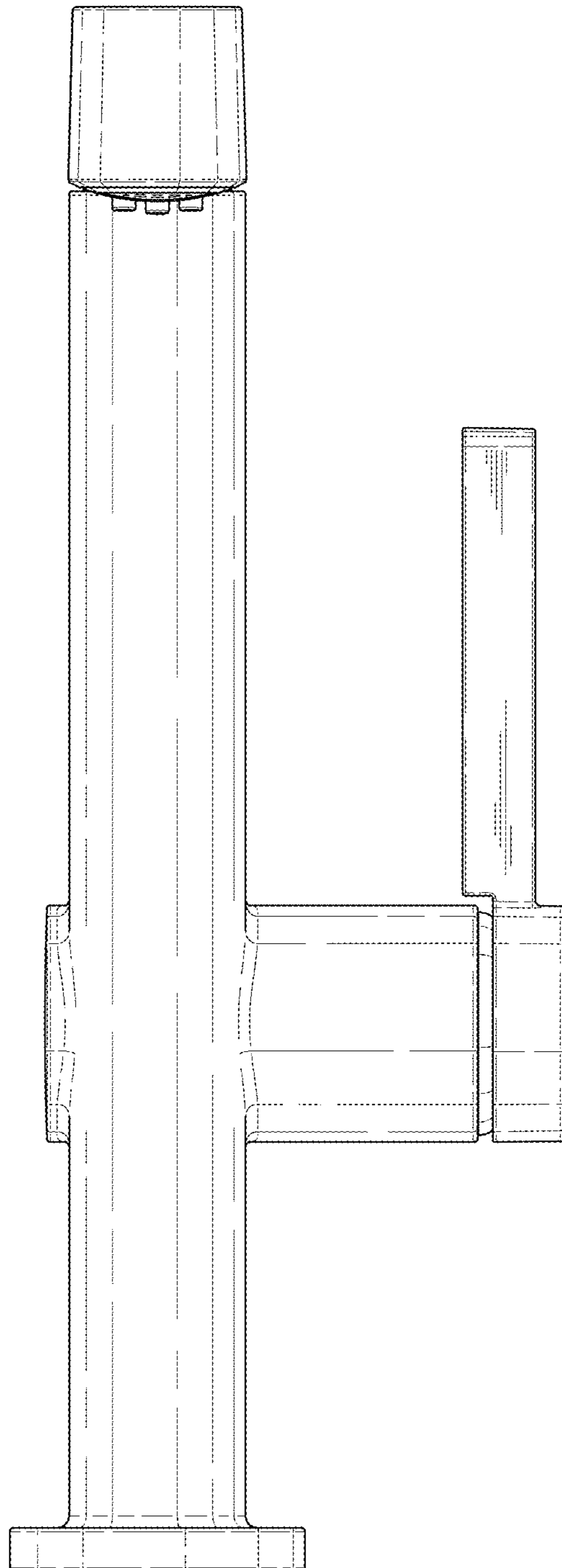


FIG. 3

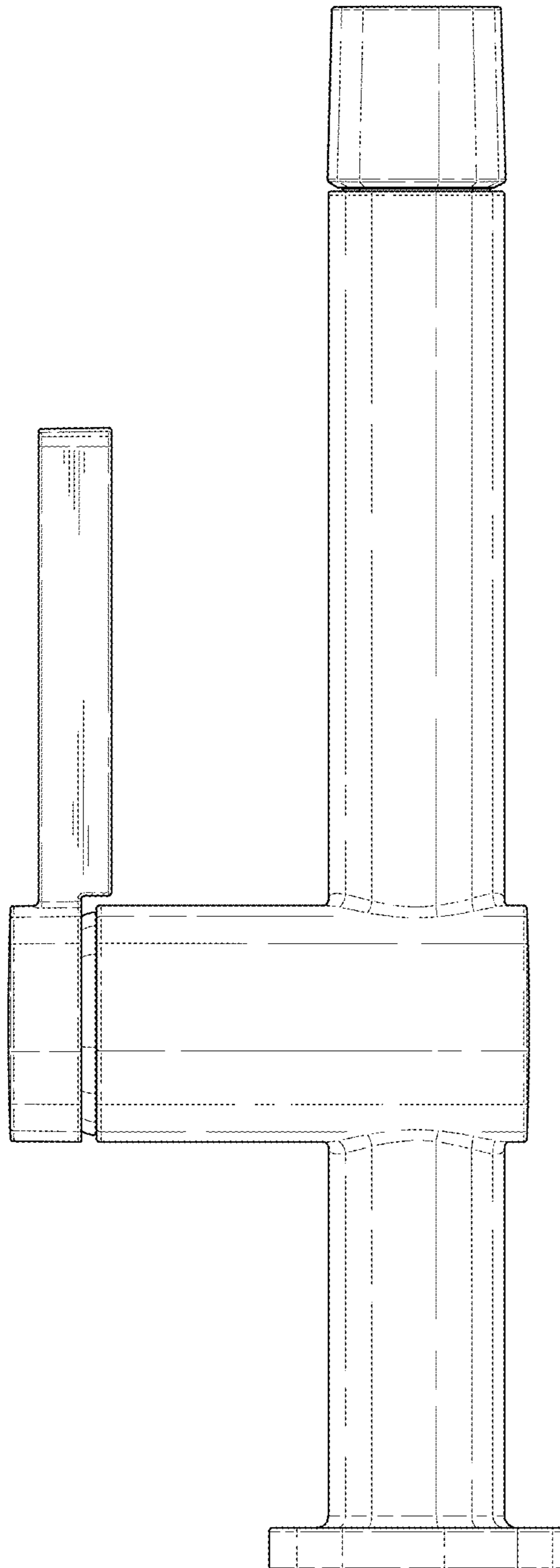


FIG. 4

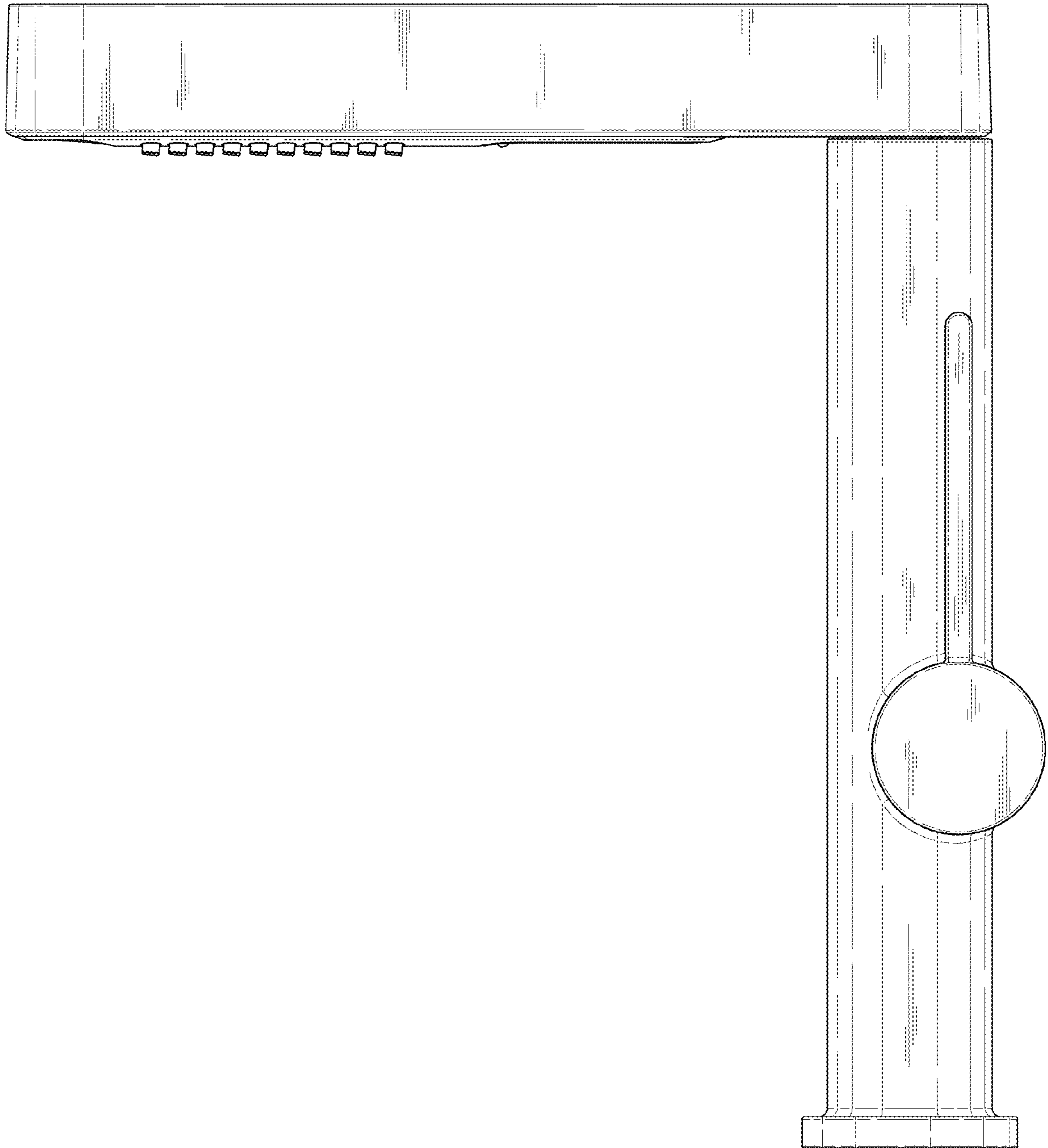


FIG. 5

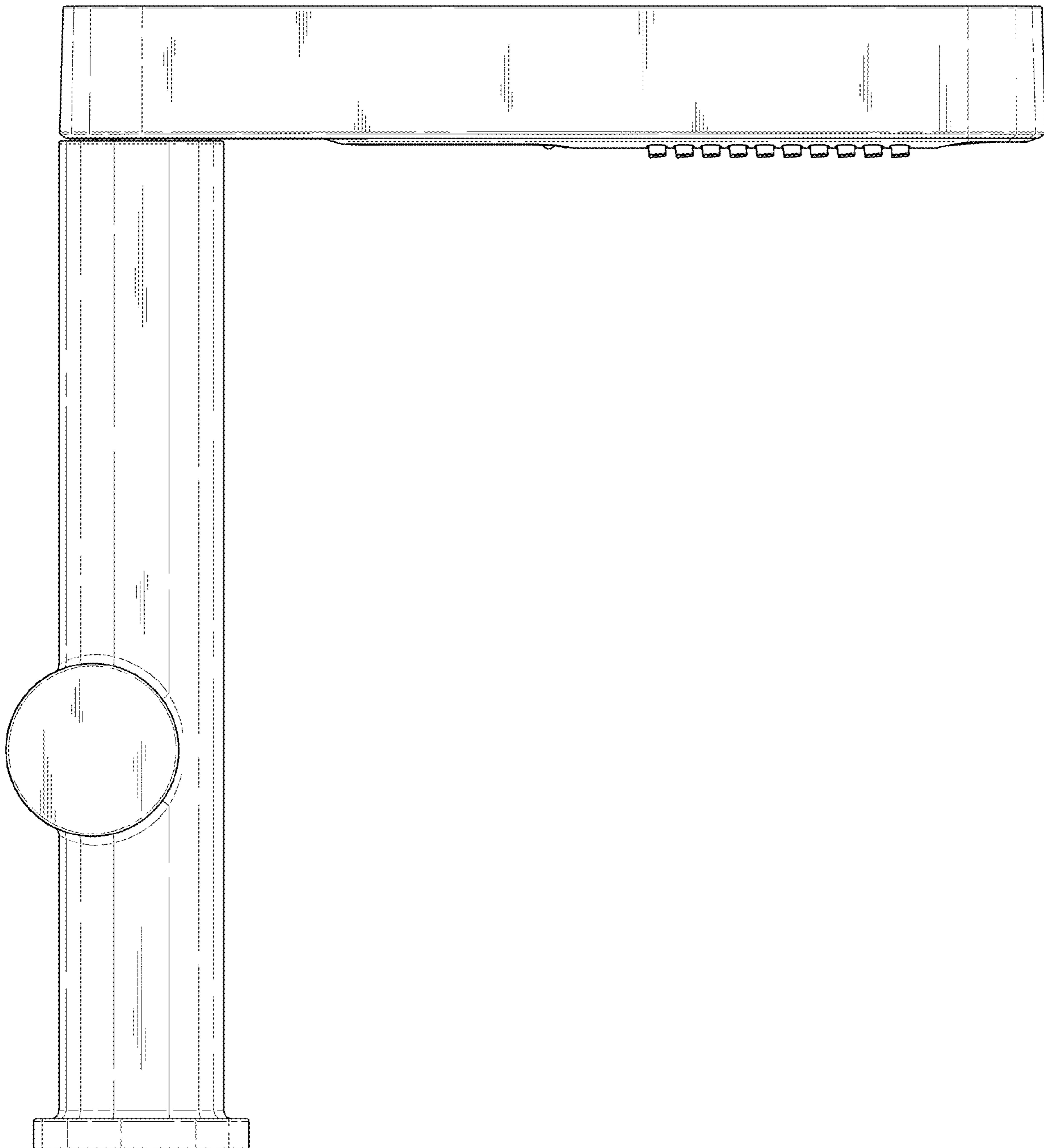


FIG. 6

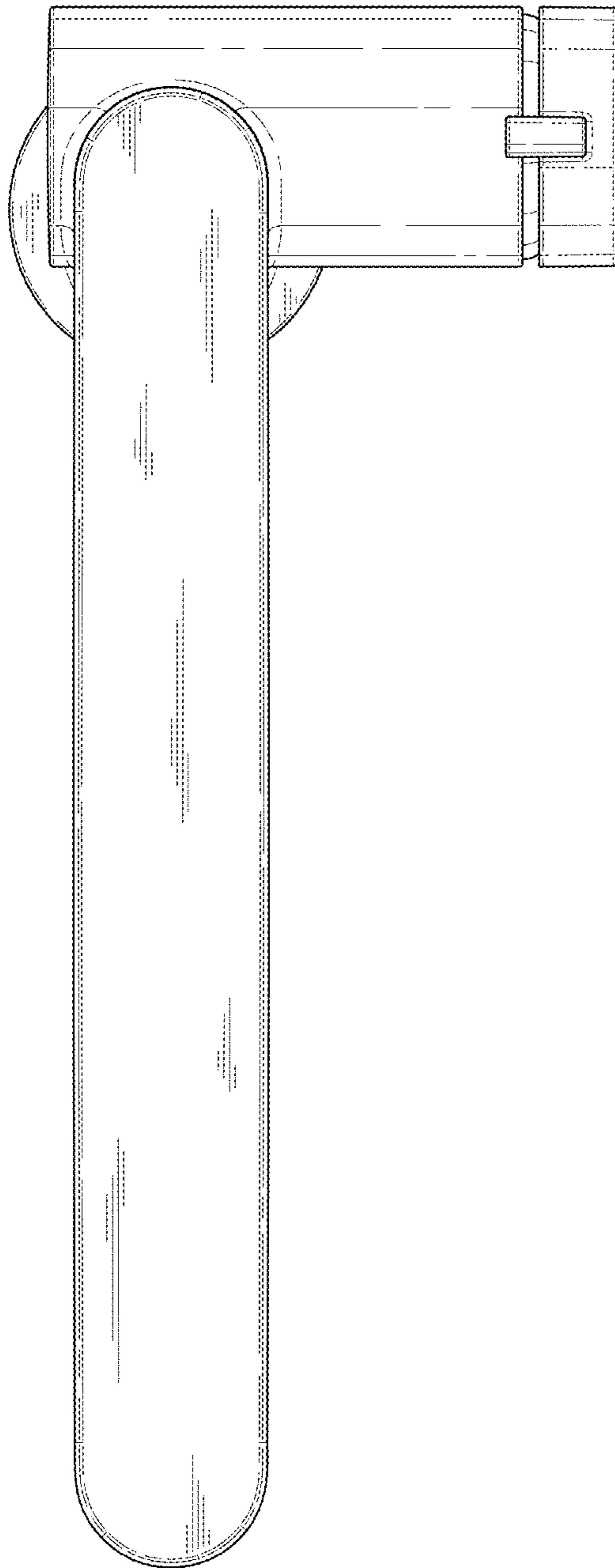


FIG. 7

