



US00D988476S

(12) **United States Design Patent** (10) **Patent No.:** **US D988,476 S**  
**Kulig** (45) **Date of Patent:** **\*\* Jun. 6, 2023**

(54) **SINGLE HOLE FAUCET**  
(71) Applicant: **Graff Faucets**, Milwaukee, WI (US)  
(72) Inventor: **Zbigniew Kulig**, Wadsworth, IL (US)  
(73) Assignee: **Graff Faucets**, Milwaukee, WI (US)  
(\*\*) Term: **15 Years**  
(21) Appl. No.: **29/762,214**  
(22) Filed: **Dec. 15, 2020**  
(51) **LOC (14) Cl.** ..... **23-02**  
(52) **U.S. Cl.**  
USPC ..... **D23/238**  
(58) **Field of Classification Search**  
USPC ..... D23/238, 239, 240, 241, 242, 243, 246,  
D23/247, 249, 250, 251, 252, 253, 254,  
D23/255, 256, 257  
CPC ..... E03C 1/01; E03C 1/0409; E03C 1/025;  
E03C 1/0408; E03C 1/04; E03C 1/0401;  
E03C 1/0402; E03C 1/0405; E03C  
1/0412; Y10T 137/5339; Y10T 137/6014;  
Y10T 137/6021  
See application file for complete search history.

D913,432 S \* 3/2021 Ando ..... D23/238  
D913,445 S \* 3/2021 Zeng ..... D23/238  
D914,160 S \* 3/2021 Seum ..... D23/255  
D936,181 S \* 11/2021 Hoogendoorn ..... D23/238  
2016/0024762 A1\* 1/2016 Hsu ..... E03C 1/0401  
4/619

**FOREIGN PATENT DOCUMENTS**

CN 201130111509 \* 5/2011  
DE 102018118334 A1 \* 1/2020  
GB 4038961 \* 1/2015

**OTHER PUBLICATIONS**

Amazon, GRICOL Bathroom Basin Tap, posted Jun. 9, 2020,  
[online], [visited Jun. 10, 2022]. Internet, <URL: <https://www.amazon.co.uk/Gricol-Bathroom-Square-Handle-Single/dp/B089VTJFM8/ref>> (Year: 2020).\*  
Amazon, Graff Java Single lever Sink Tap, posted Nov. 28, 2019,  
[online], [visited Jun. 10, 2022]. Internet, <URL: <https://www.amazon.co.uk/Graff-Java-Single-Lever-E11100LM54PC/dp/B08248M5G4/ref>> (Year: 2019).\*

(Continued)

*Primary Examiner* — Samantha Wood  
(74) *Attorney, Agent, or Firm* — Defillo & Associates,  
Inc; Evelyn A. Defillo

(57) **CLAIM**

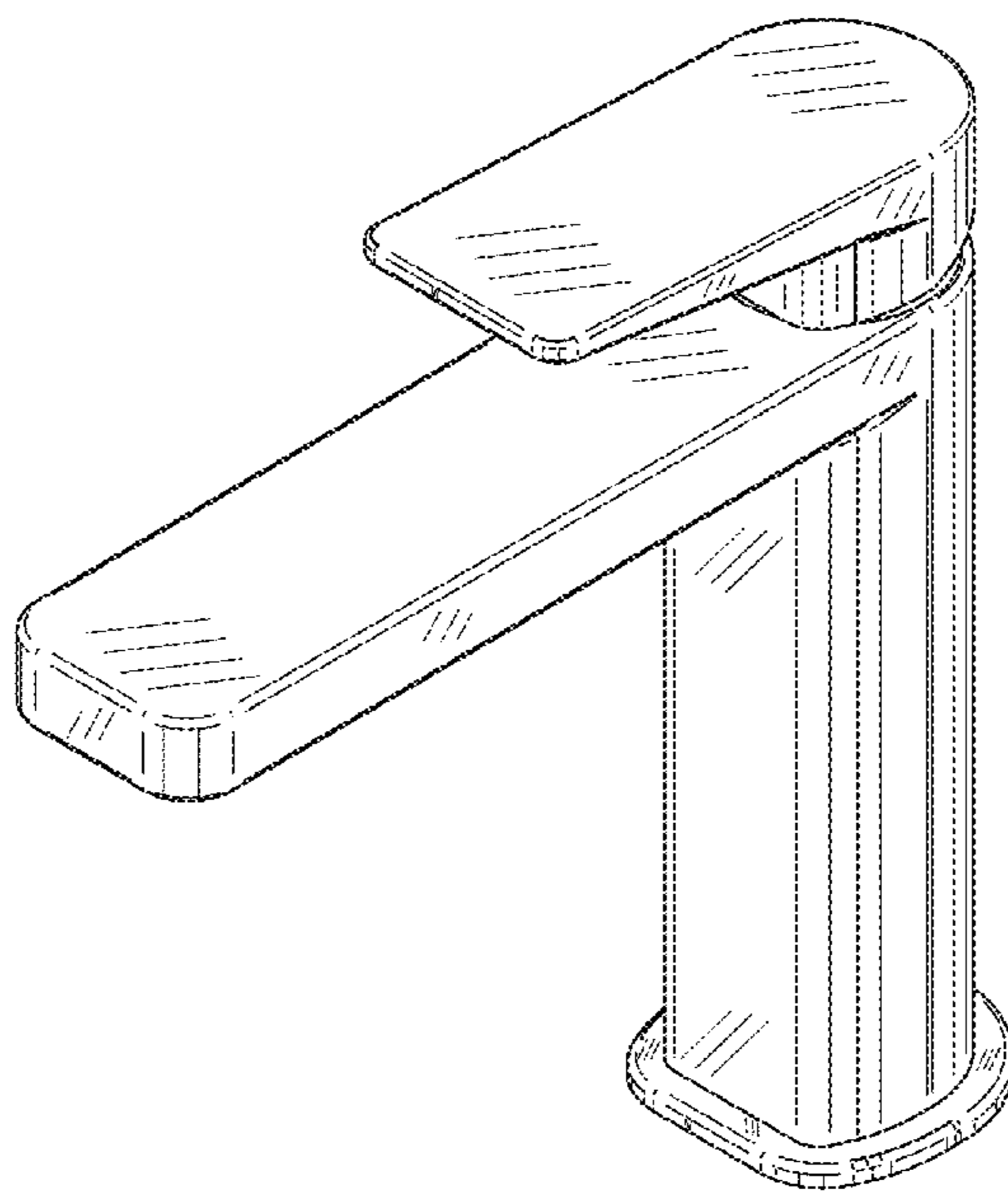
The ornamental design for a single hole faucet, as shown and described.

**DESCRIPTION**

FIG. 1 is a perspective front view of a single hole faucet according to the present invention;  
FIG. 2 is a front view of the single hole faucet of FIG. 1;  
FIG. 3 is a back view of the single hole faucet of FIG. 1;  
FIG. 4 is a side view of the single hole faucet of FIG. 1; and,  
FIG. 5 is a top view of the single hole faucet of FIG. 1.

**1 Claim, 5 Drawing Sheets**

(56) **References Cited**  
**U.S. PATENT DOCUMENTS**  
D594,092 S \* 6/2009 Carlsson ..... D23/238  
D603,481 S \* 11/2009 Zetsche ..... D23/242  
D625,778 S \* 10/2010 Sandee ..... D23/238  
D625,779 S \* 10/2010 Sandee ..... D23/238  
D662,188 S \* 6/2012 Thun ..... D23/242  
D767,721 S \* 9/2016 Yoshioka ..... D23/238  
D787,644 S \* 5/2017 Hong ..... D23/255  
D805,607 S \* 12/2017 Streng ..... D23/240  
D809,629 S \* 2/2018 Streng ..... D23/240  
D828,512 S \* 9/2018 Liu ..... D23/238  
D868,213 S \* 11/2019 Hoogendoorn ..... D23/238



(56)

**References Cited**

OTHER PUBLICATIONS

Amazon, VIGO Davidson Singel Hole Bathroom Faucet, posted Nov. 1, 2018, [online], [visited Jun. 10, 2022]. Internet, <URL: <https://www.amazon.co.uk/VIGO-Davidson-Single-Bathroom-Brushed/dp/B07K39CYRZ/ref>> (Year: 2018).\*

\* cited by examiner

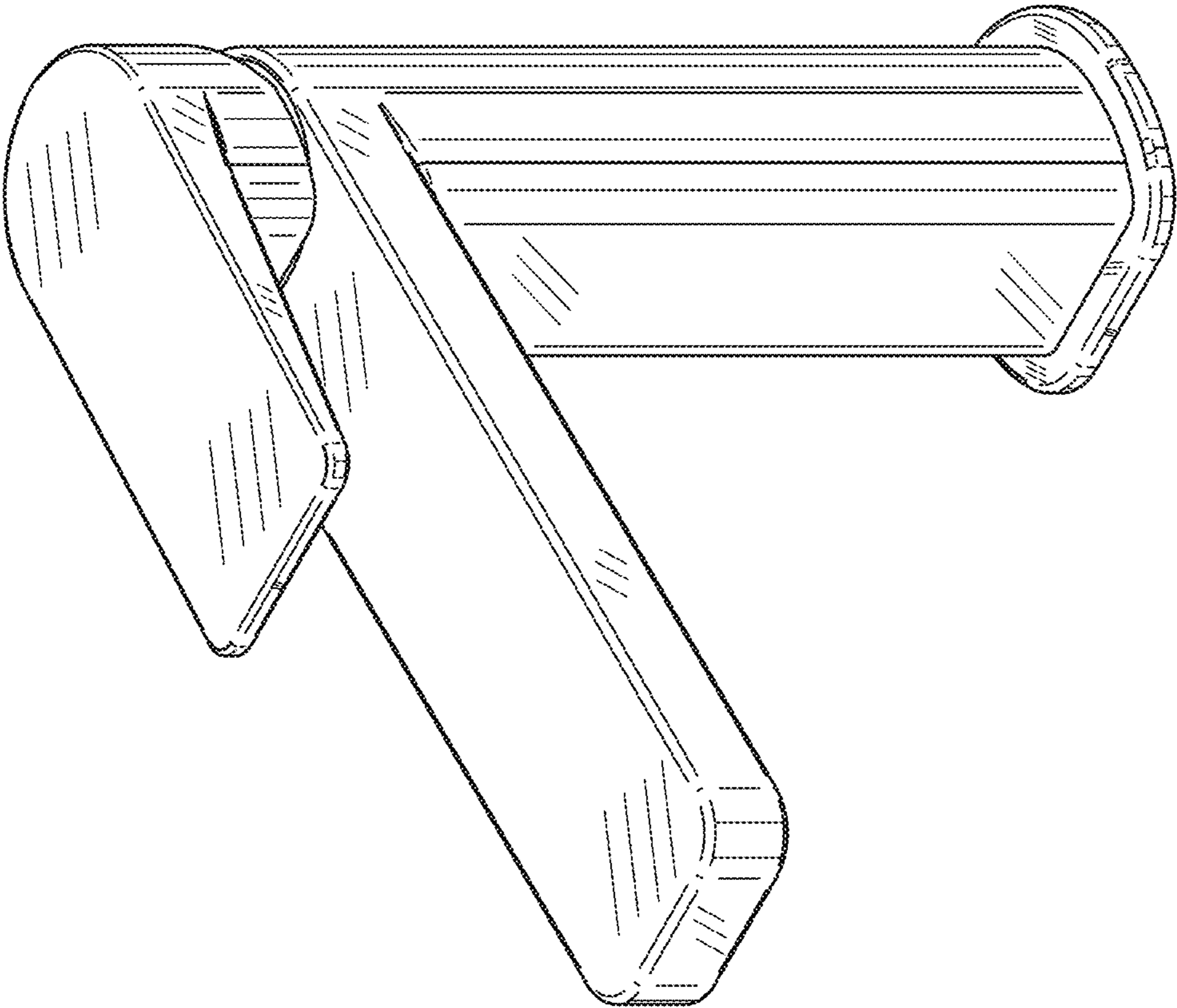


FIG. 1

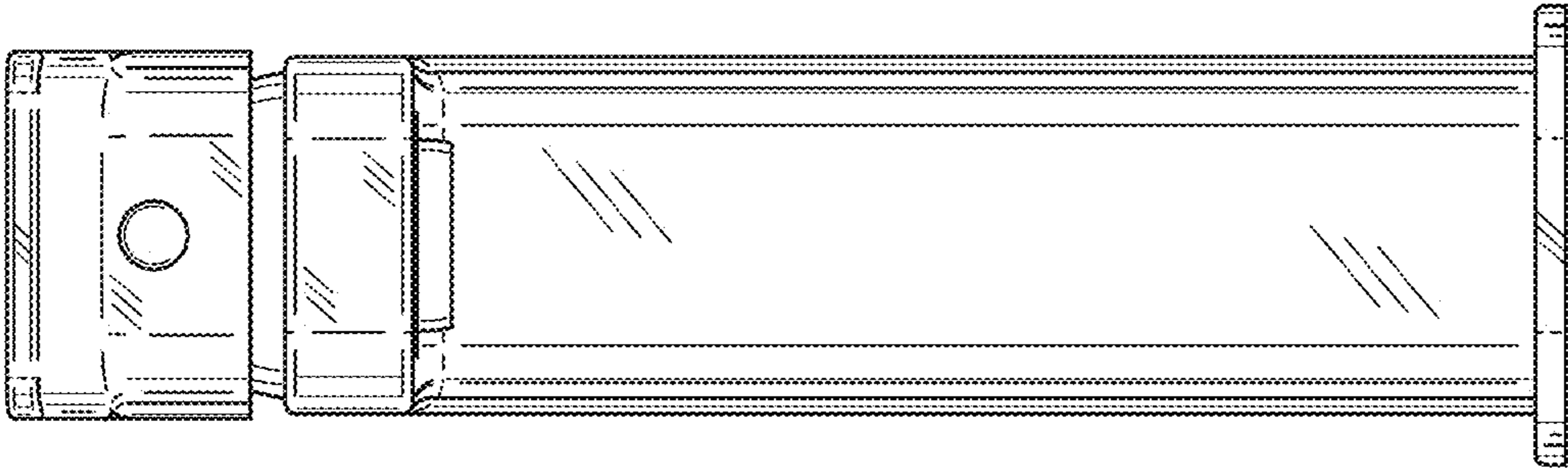


FIG. 2

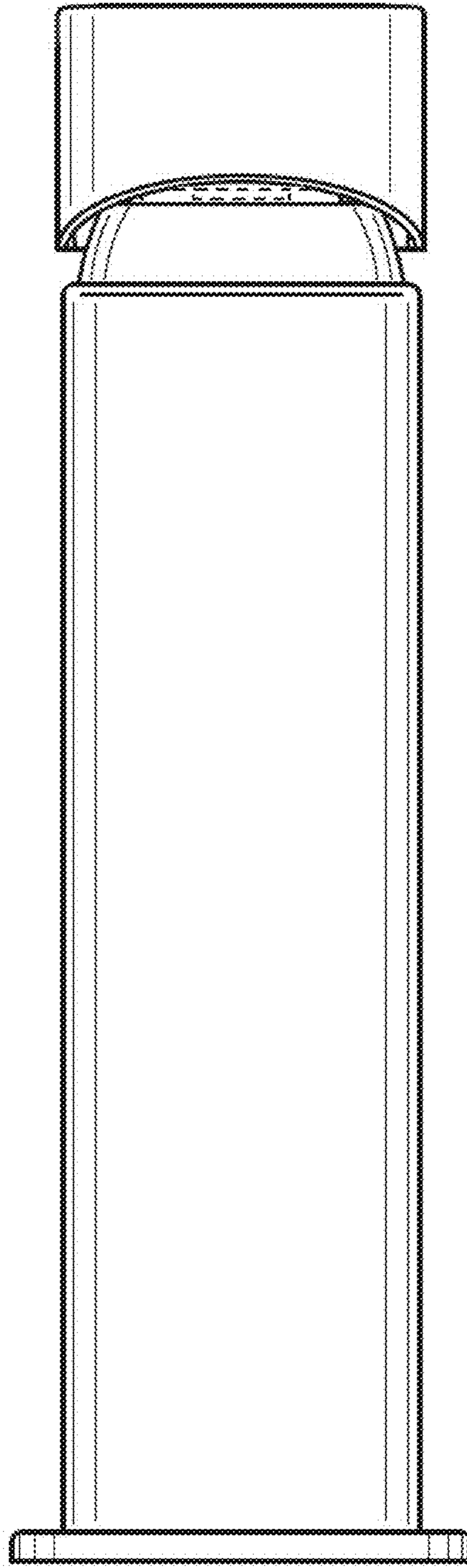


FIG. 3

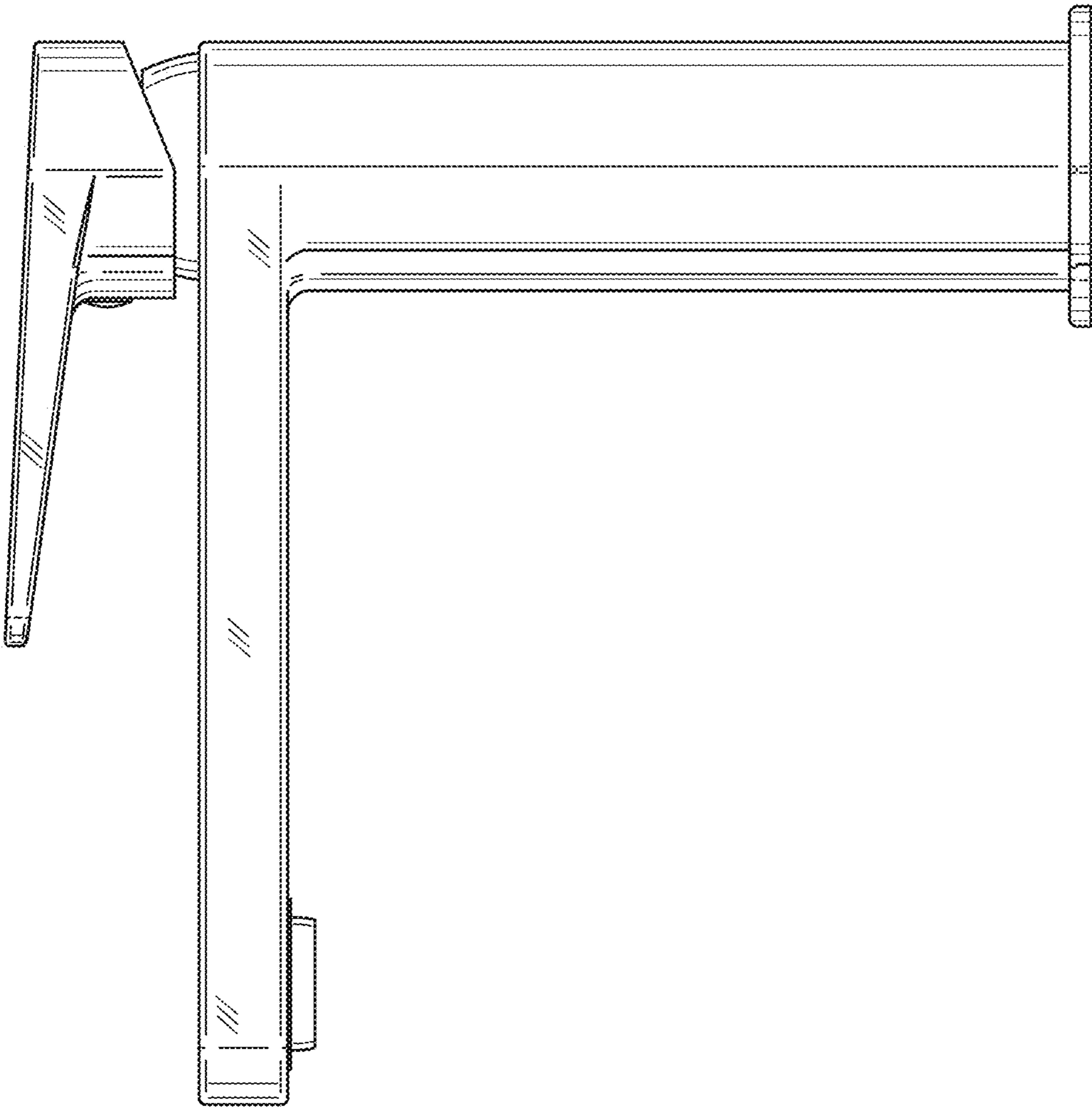


FIG. 4

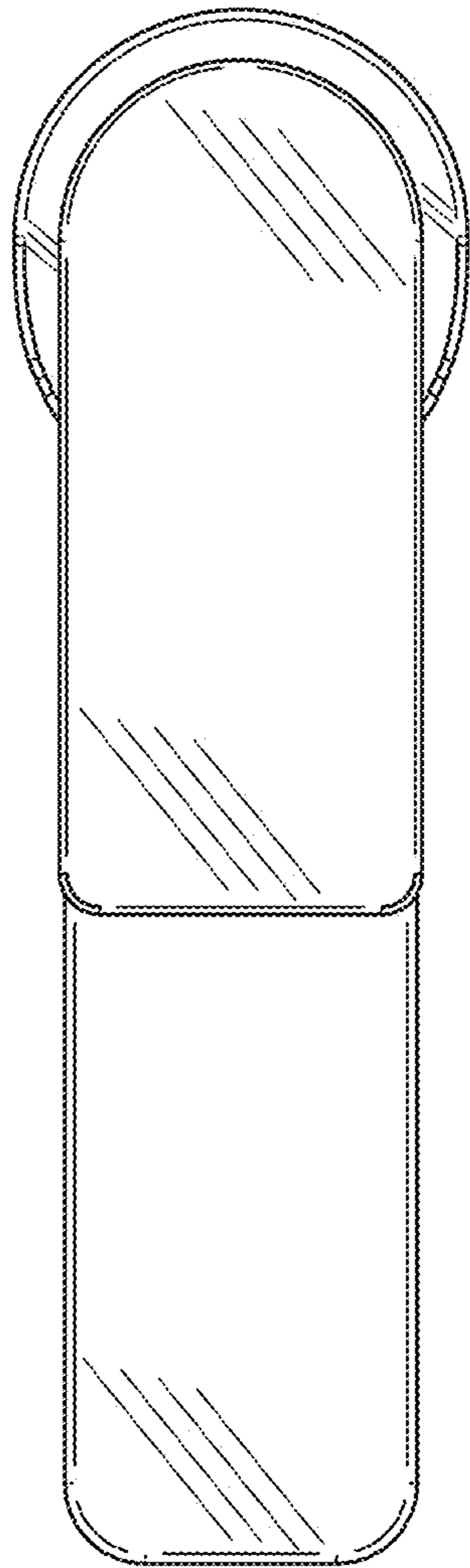


FIG. 5