



US00D988474S

(12) **United States Design Patent** (10) **Patent No.:** **US D988,474 S**
Schmitt et al. (45) **Date of Patent:** **** Jun. 6, 2023**

(54) **FAUCET APPARATUS**

(71) Applicant: **Emerson Electric Co.**, St. Louis, MO (US)

(72) Inventors: **Matthew A. Schmitt**, Kenosha, WI (US); **Brian Falcone**, St. Louis, MO (US)

(73) Assignee: **INSINKERATOR LLC**, Benton Harbor, MI (US)

(**) Term: **15 Years**

(21) Appl. No.: **29/753,771**

(22) Filed: **Oct. 1, 2020**

(51) **LOC (14) Cl.** **23-01**

(52) **U.S. Cl.**
USPC **D23/238**

(58) **Field of Classification Search**
USPC D23/238, 239, 240, 241, 242, 243, 246, D23/247, 249, 250, 251, 252, 253, 254, D23/255, 256, 257
CPC E03C 1/00; E03C 1/01; E03C 1/02; E03C 1/023; E03C 1/04; E03C 1/0401; E03C 1/0403; E03C 1/0404; E03C 1/0412; E03C 1/05; E03C 1/042; F16K 31/60
See application file for complete search history.

(56) **References Cited**

U.S. PATENT DOCUMENTS

D288,835 S * 3/1987 Yost D23/241
4,735,357 A 4/1988 Gregory
D329,083 S * 9/1992 Dannenberg D23/238
D346,013 S * 4/1994 McKeone D23/255
(Continued)

FOREIGN PATENT DOCUMENTS

CN 201630549239 * 11/2016
WO WO-2015010251 A1 * 1/2015 E03C 1/0403

OTHER PUBLICATIONS

Amazon, Ibergrif M16357 Wall Mounted Kitchen Tap, posted Nov. 18, 2019, [online], [visited Apr. 6, 2022]. Internet, <URL: https://www.amazon.co.uk/Ibergrif-M16357-Mounted-Kitchen-Chrome/dp/B081HFLGZ3/ref> (Year: 2019).*

(Continued)

Primary Examiner — Samantha Wood

(74) *Attorney, Agent, or Firm* — Amundsen Davis, LLC

(57) **CLAIM**

The ornamental design for a faucet apparatus, as shown and described.

DESCRIPTION

FIG. 1 is a top perspective view of a faucet apparatus according to our new design, shown in an exemplary environment;

FIG. 2 is an additional top perspective view of the faucet apparatus of FIG. 1;

FIG. 3 is a front elevation view of the faucet apparatus of FIG. 1;

FIG. 4 is a left side elevation view of the faucet apparatus of FIG. 1;

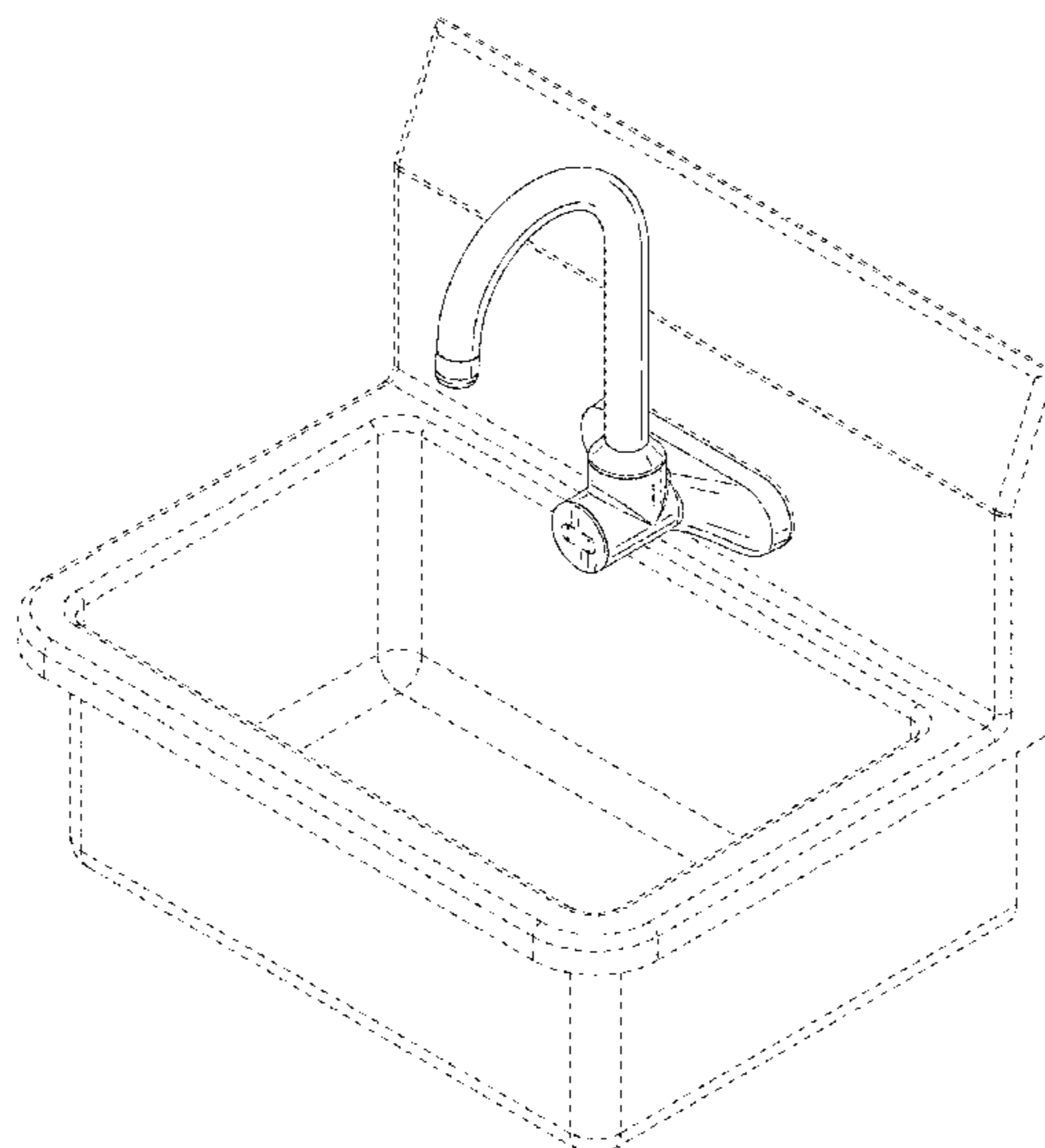
FIG. 5 is a right side elevation view of the faucet apparatus of FIG. 1;

FIG. 6 is a top plan view of the faucet apparatus of FIG. 1; and,

FIG. 7 is a bottom plan view of the faucet apparatus of FIG. 1.

The broken lines are included for the purpose of illustrating portions of the article and the environmental structure and form no part of the claimed design. In particular, the broken line showing of the sink, in FIG. 1, depicts environmental structure and is not part of the claimed design. The faucet apparatus is shown on an enlarged scale in FIGS. 2-7 by comparison with the faucet apparatus as shown in FIG. 1. The rear of the faucet apparatus is flat and unornamented.

1 Claim, 4 Drawing Sheets



(56)

References Cited

U.S. PATENT DOCUMENTS

D440,284 S * 4/2001 Pitsch D23/249
 D467,643 S * 12/2002 Otero D23/242
 D468,398 S * 1/2003 Ziemann D23/238
 D473,630 S * 4/2003 Wettstein D23/238
 D510,126 S * 9/2005 Ouyoung D23/238
 D515,665 S * 2/2006 Ng D23/238
 D515,666 S * 2/2006 Ng D23/241
 D571,893 S * 6/2008 Celli D23/238
 D581,492 S * 11/2008 Schonherr D23/255
 7,650,653 B2 1/2010 Johnson et al.
 D635,221 S * 3/2011 Rubin D23/238
 D667,087 S * 9/2012 Shieh D23/239
 8,448,271 B2 5/2013 Rudisser
 D712,011 S * 8/2014 Du D23/255
 9,157,772 B2 10/2015 Santos et al.
 D754,294 S * 4/2016 Garland D23/238
 9,429,246 B2 8/2016 Chen
 D803,989 S * 11/2017 Flowers D23/250
 9,856,635 B1 1/2018 Liu
 D844,111 S * 3/2019 Soulier D23/238
 10,301,799 B2 5/2019 Thompson et al.
 10,323,393 B2 6/2019 Thompson et al.
 D863,507 S * 10/2019 Zhang D23/238
 D914,847 S * 3/2021 Zhang D23/238

2006/0157109 A1* 7/2006 Vu E03C 1/0401
 137/216
 2008/0277611 A1 11/2008 Esche et al.
 2010/0043898 A1 2/2010 Eckhaus
 2016/0122982 A1* 5/2016 Wang E03C 1/0403
 4/619
 2019/0194917 A1 6/2019 Wang
 2019/0277012 A1* 9/2019 Hamann E03C 1/14
 2020/0123741 A1* 4/2020 Huang E03C 1/0404
 2021/0189703 A1 6/2021 Schmitt et al.

OTHER PUBLICATIONS

Amazon, Yijie Kitchen Sink Faucets 360 Rotatable Single Lever Tap, posted Sep. 5, 2019, [online], [visited Apr. 6, 2022]. Internet, <URL: <https://www.amazon.co.uk/Ibergrif-M16357-Mounted-Kitchen-Chrome/dp/B081HFLGZ3/ref>> (Year: 2019).*

Amazon, Wifehelper Household Kitchen Faucet Single Gold Wall-Mounted Faucet, posted Dec. 4, 2019, [online], [visited Apr. 6, 2022]. Internet, <URL: <https://www.amazon.com/dp/B07YD51F2R/ref>> (Year: 2019).*

PCT/US2020/053853 International Search Report and Written Opinion of the International Searching Authority dated Dec. 22, 2020 (13 pages).

* cited by examiner

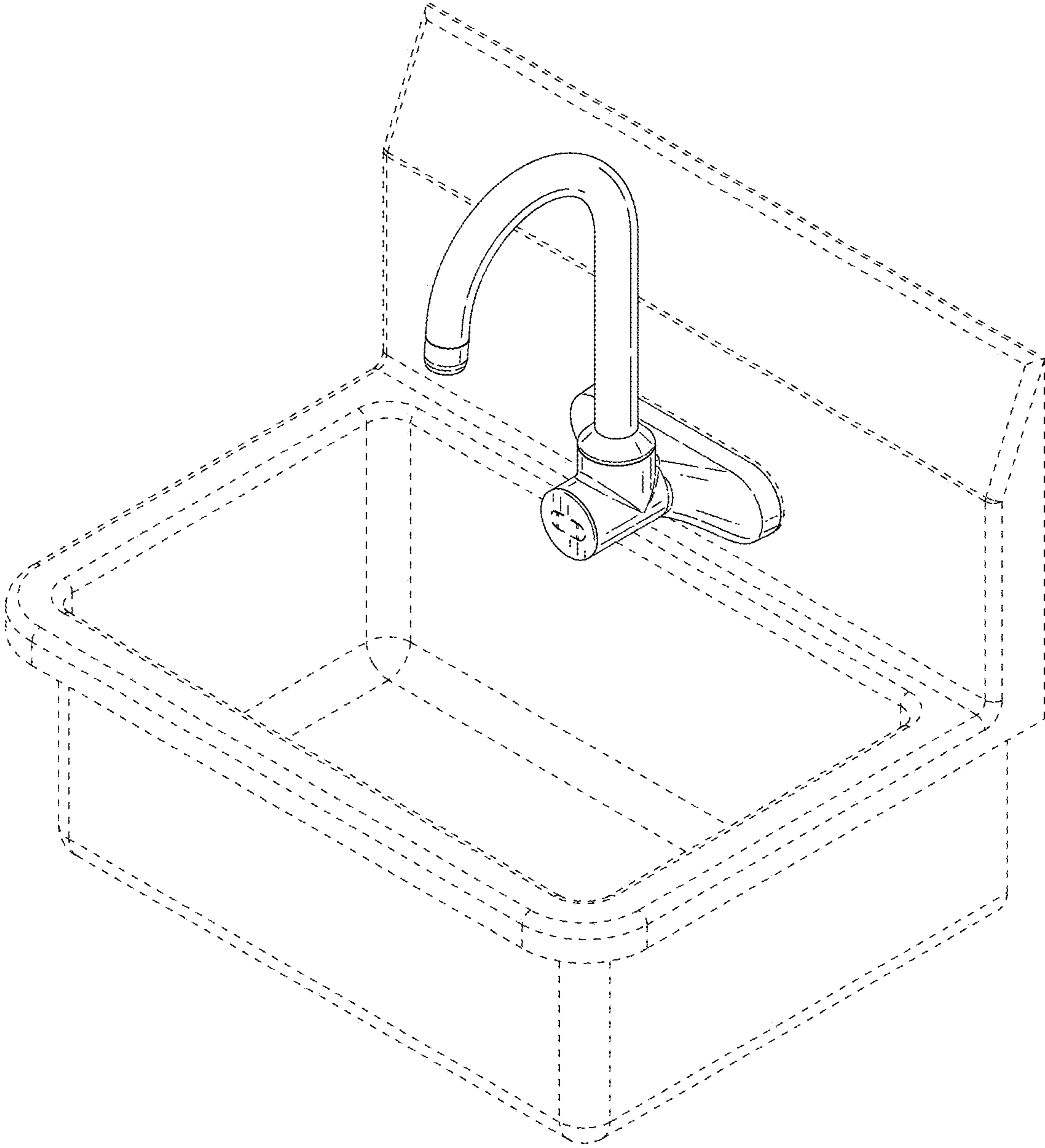


FIG. 1

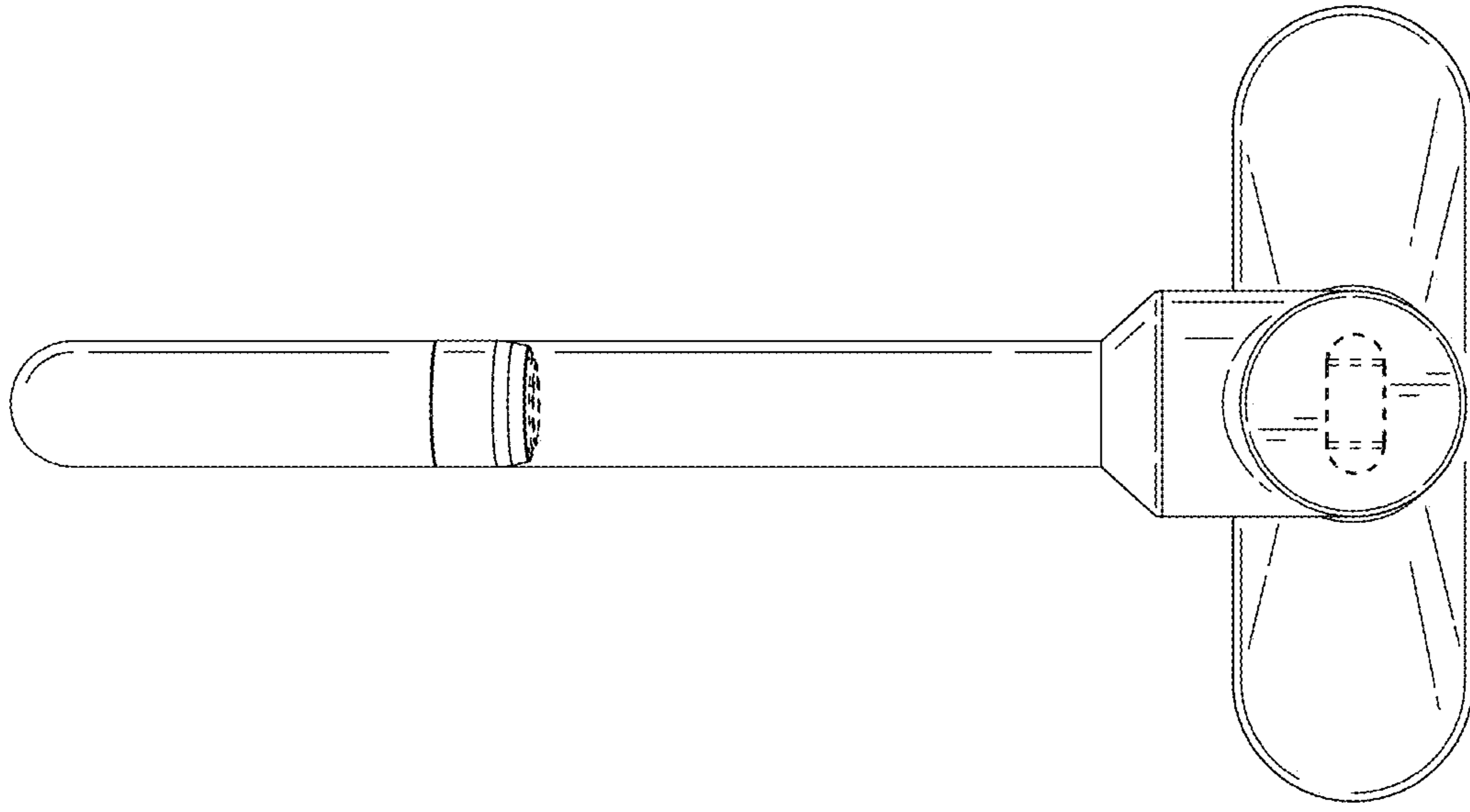


FIG. 3

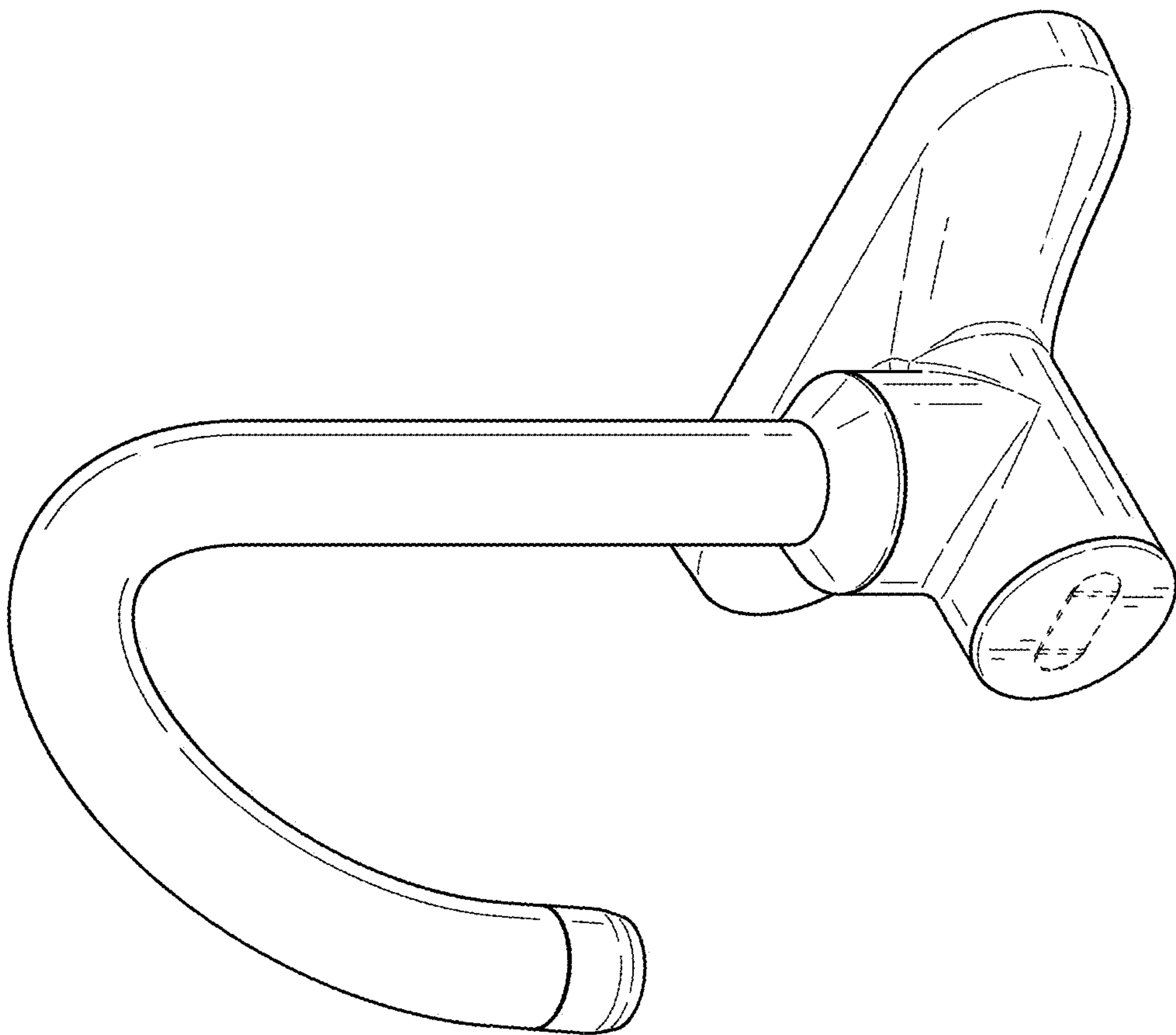


FIG. 2

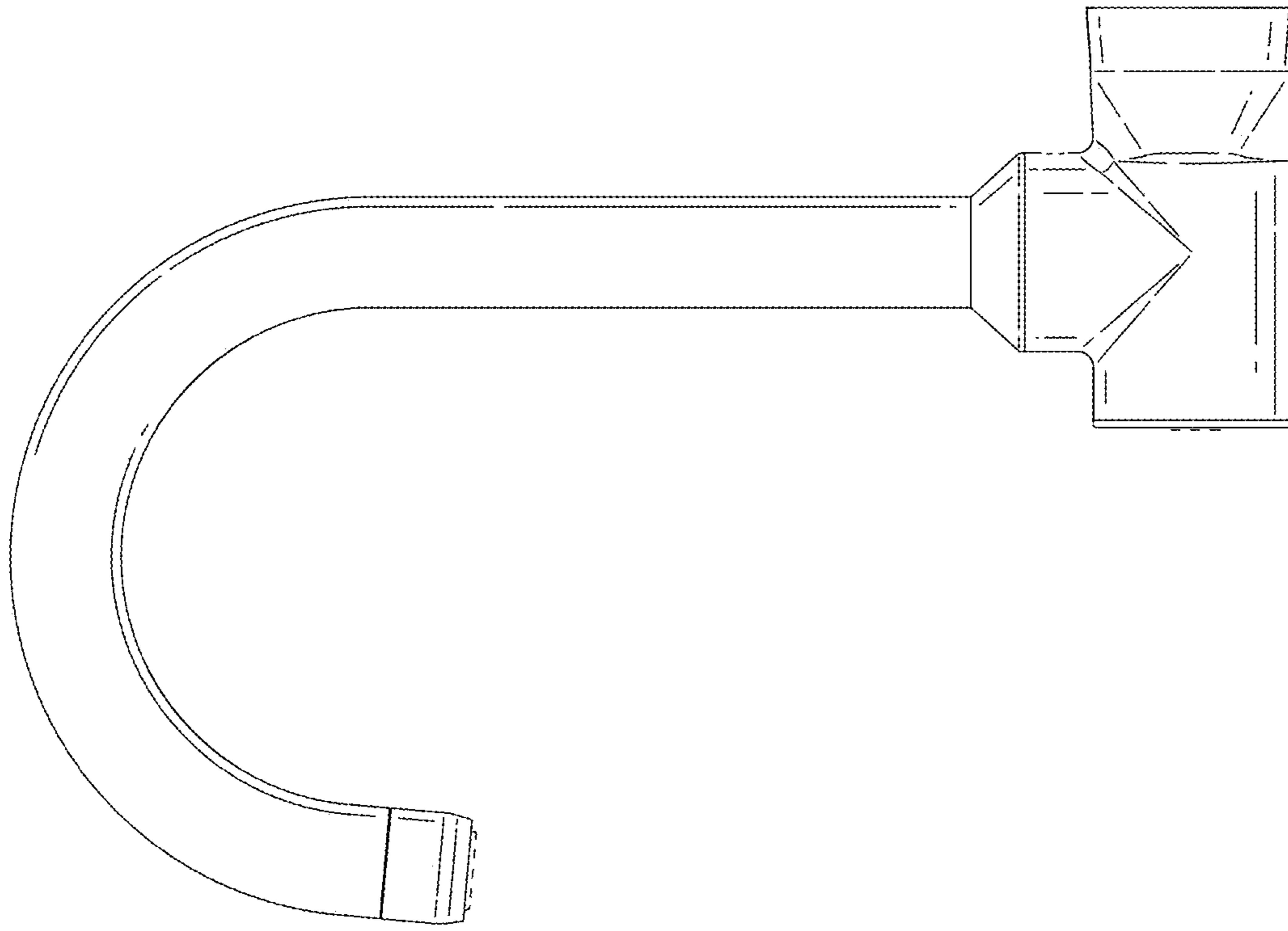


FIG. 4

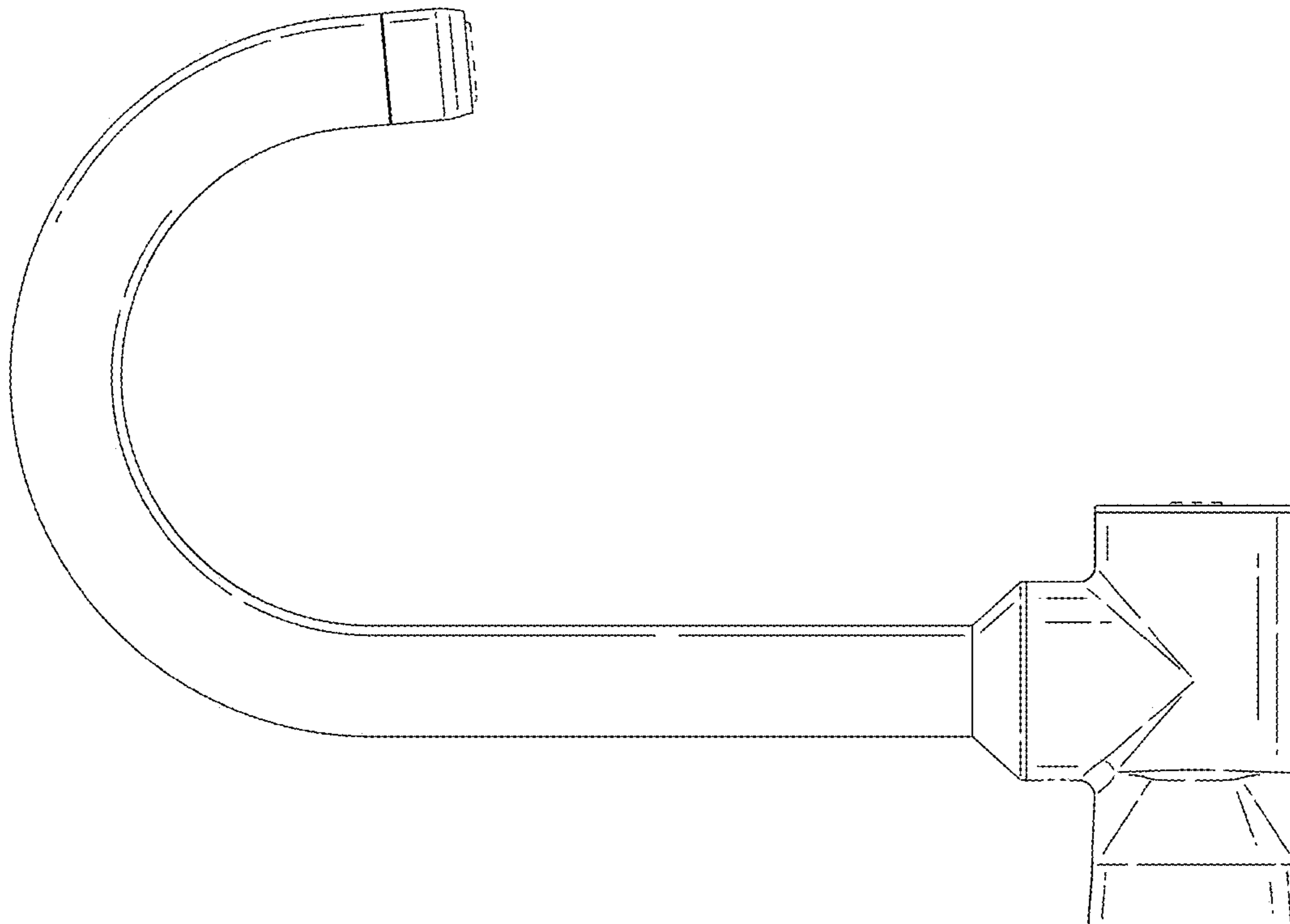


FIG. 5

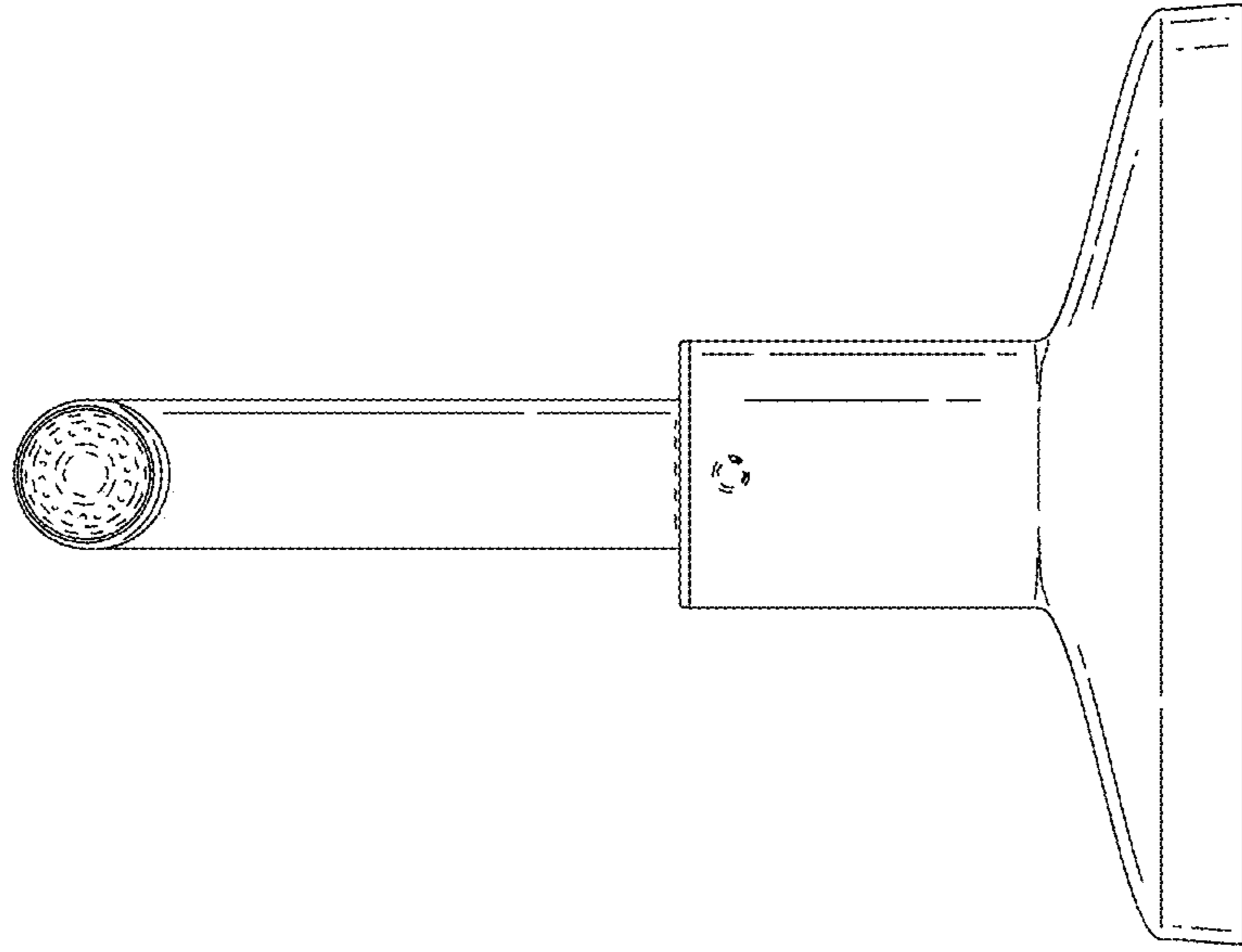


FIG. 7

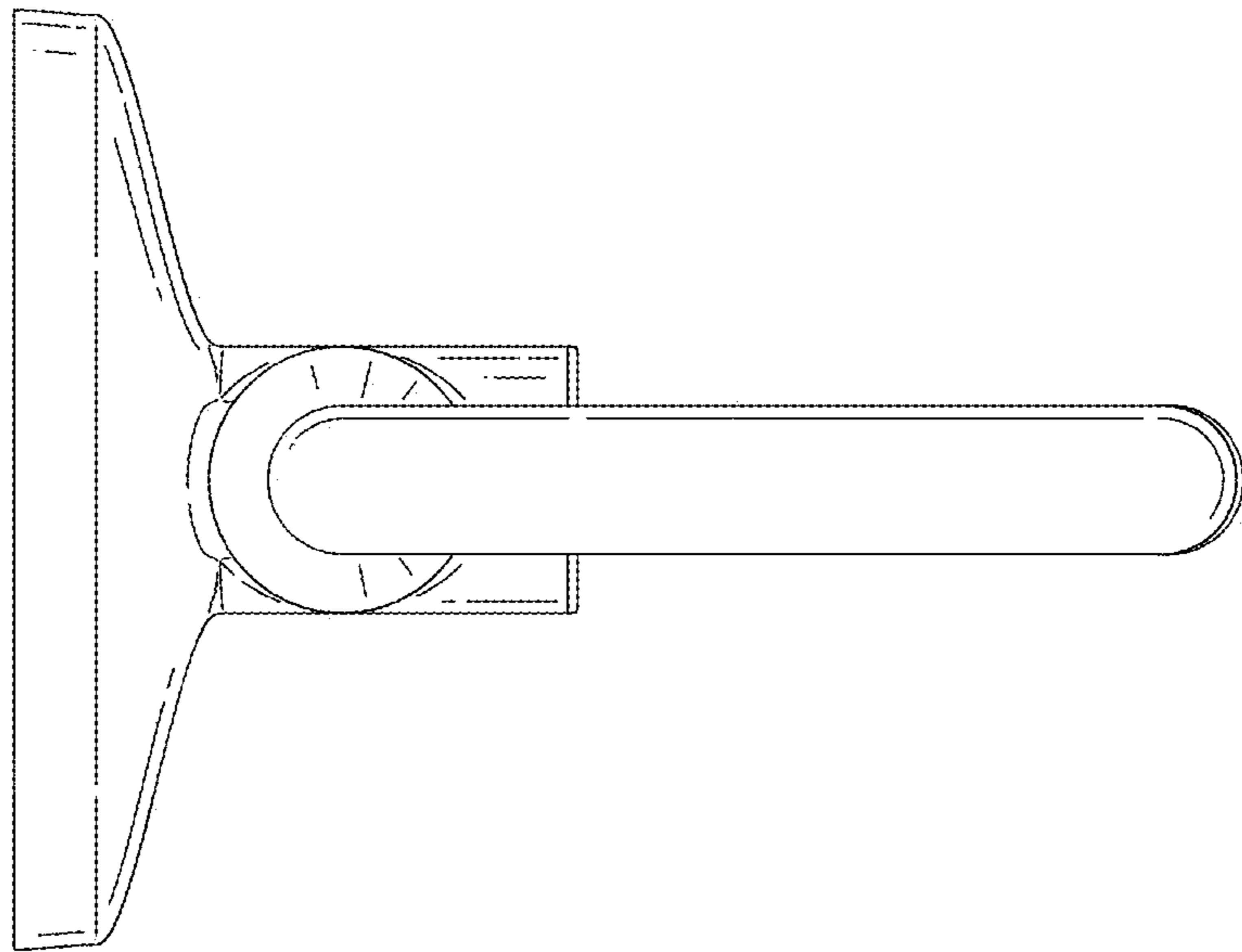


FIG. 6