



US00D988473S

(12) **United States Design Patent**  
**Pan**

(10) **Patent No.:** **US D988,473 S**  
(45) **Date of Patent:** **\*\* Jun. 6, 2023**

(54) **SHOWER HEAD**

(71) Applicant: **Ningbo Janan Sanitary Co., Ltd.,**  
Ningbo (CN)

(72) Inventor: **Zhidao Pan,** Ningbo (CN)

(\*\*) Term: **15 Years**

(21) Appl. No.: **35/515,084**

(22) Filed: **Aug. 10, 2022**

(80) **Hague Agreement Data**

Int. Filing Date: **Aug. 10, 2022**

Int. Reg. No.: **DM/223041**

Int. Reg. Date: **Aug. 10, 2022**

Int. Reg. Pub. Date: **Sep. 9, 2022**

(30) **Foreign Application Priority Data**

Feb. 24, 2022 (CN) ..... 202230089884.8

(51) **LOC (14) Cl.** ..... **23-01**

(52) **U.S. Cl.**

USPC ..... **D23/233**

CPC ..... **B05B 3/04** (2013.01)

(58) **Field of Classification Search**

USPC ..... D23/213, 214, 215, 223, 224, 226, 229,  
D23/230

CPC ..... B05B 1/1663; B05B 3/04; B05B 1/34;  
B05B 1/18

See application file for complete search history.

(56) **References Cited**

**U.S. PATENT DOCUMENTS**

D547,420 S \* 7/2007 Lobermeier ..... D23/223

D621,908 S \* 8/2010 Yoo ..... D23/223

D900,963 S \* 11/2020 Wu ..... D23/223  
D919,746 S \* 5/2021 Lin ..... D23/223  
D936,178 S \* 11/2021 Lin ..... D23/213  
D942,589 S \* 2/2022 Su ..... D23/226  
D960,296 S \* 8/2022 Corpuz, Jr. .... D23/213  
D961,047 S \* 8/2022 Ruan ..... D23/223  
D965,742 S \* 10/2022 Yan ..... D23/223  
D972,082 S \* 12/2022 Oesterle ..... D23/223  
D972,083 S \* 12/2022 Kim ..... D23/223  
D973,179 S \* 12/2022 Chen ..... D23/223  
D975,241 S \* 1/2023 Guo ..... D23/223  
D977,065 S \* 1/2023 Yu ..... D23/223  
D977,067 S \* 1/2023 Yan ..... D23/223  
D977,068 S \* 1/2023 Miller ..... D23/226  
2021/0129162 A1 \* 5/2021 Quinn ..... B05B 1/1663

\* cited by examiner

*Primary Examiner* — Richard E Chilcot

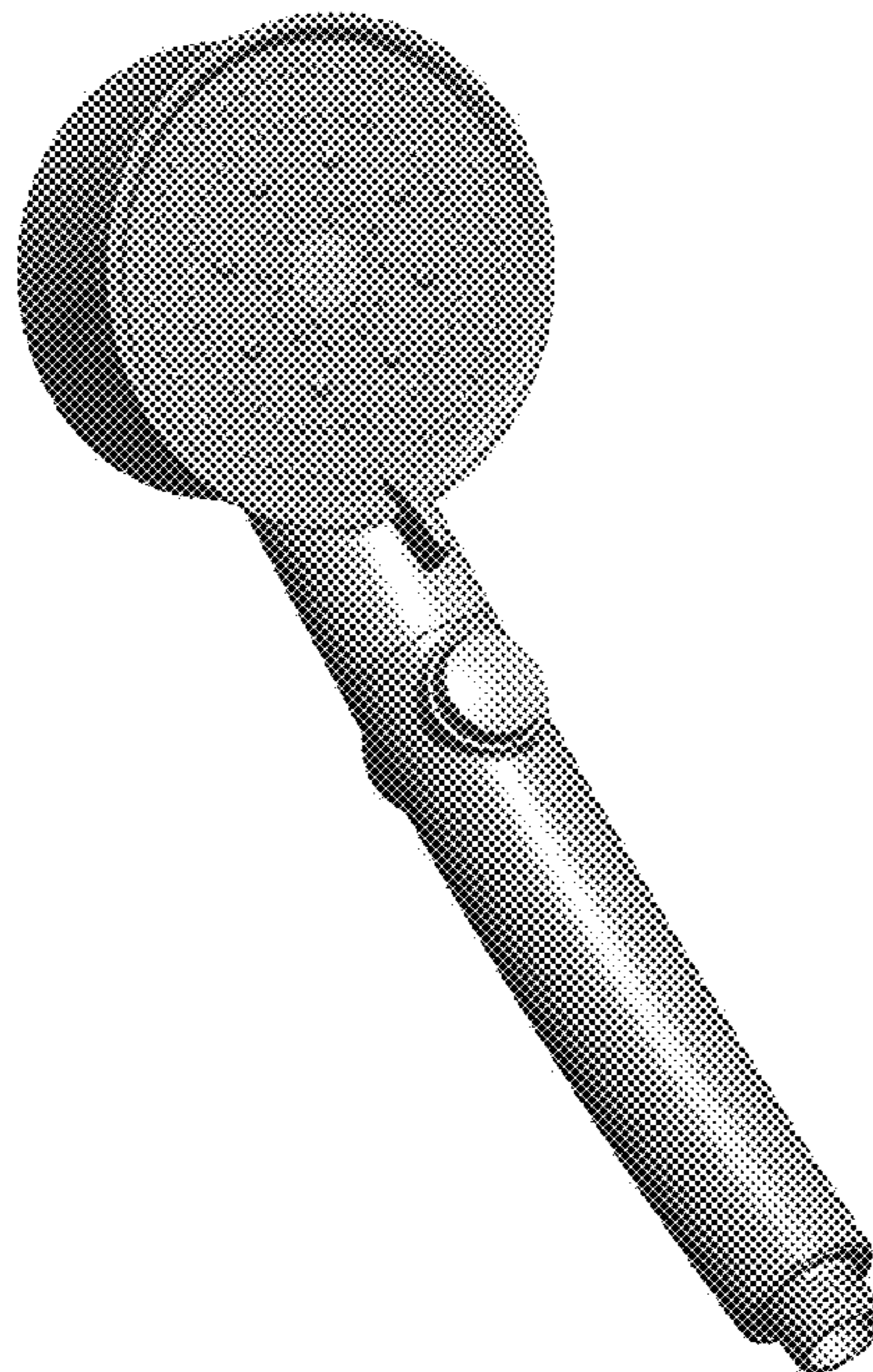
(57) **CLAIM**

The ornamental design for a shower head, as shown and described.

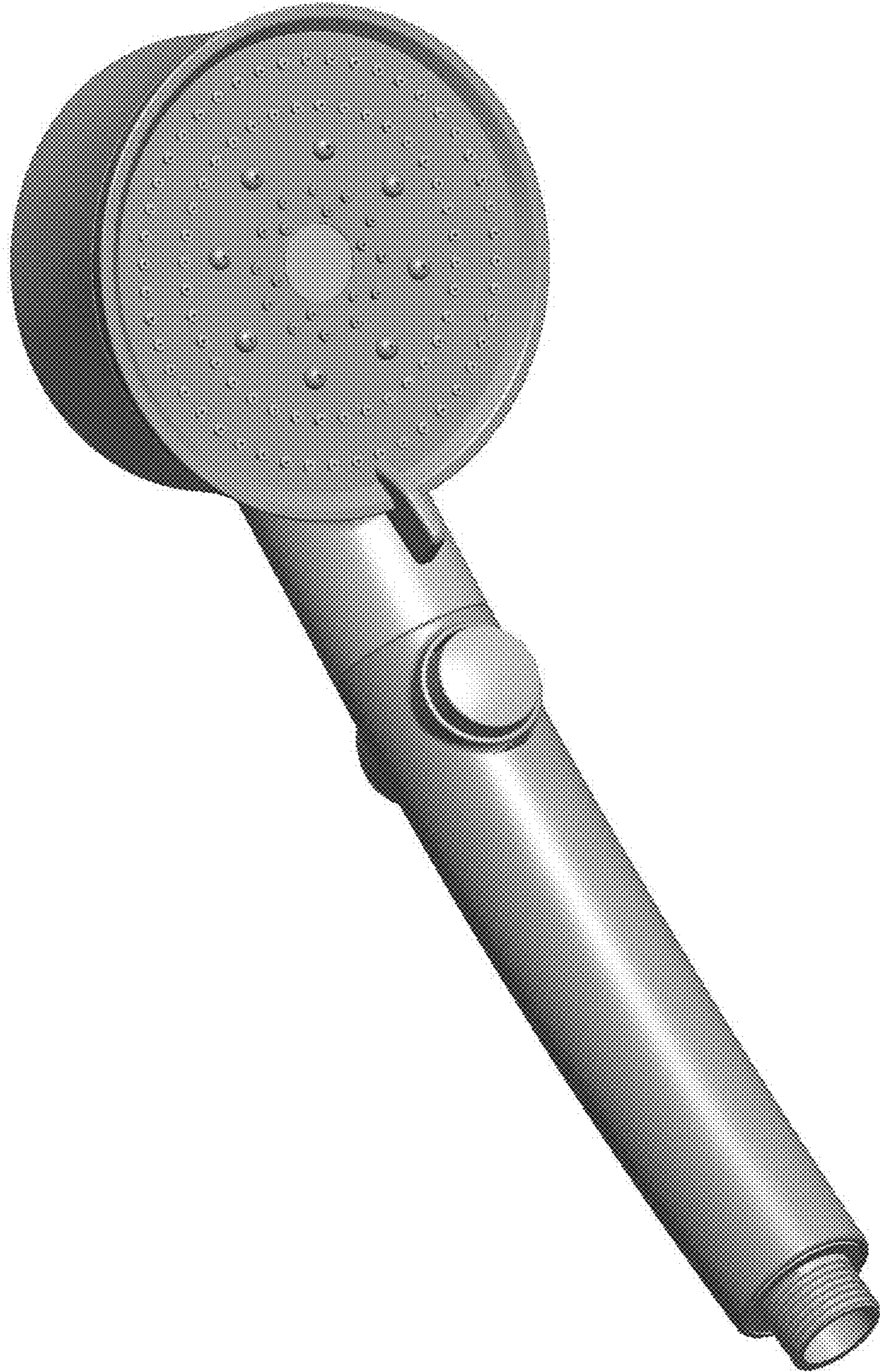
**DESCRIPTION**

**3.1** is a front perspective view of a shower head showing my new design;  
**3.2** is a rear perspective view thereof;  
**3.3** is a front view thereof;  
**3.4** is a rear view thereof;  
**3.5** is a top view thereof;  
**3.6** is a bottom view thereof;  
**3.7** is a left side view thereof; and  
**3.8** is a right side view thereof.

**1 Claim, 8 Drawing Sheets**



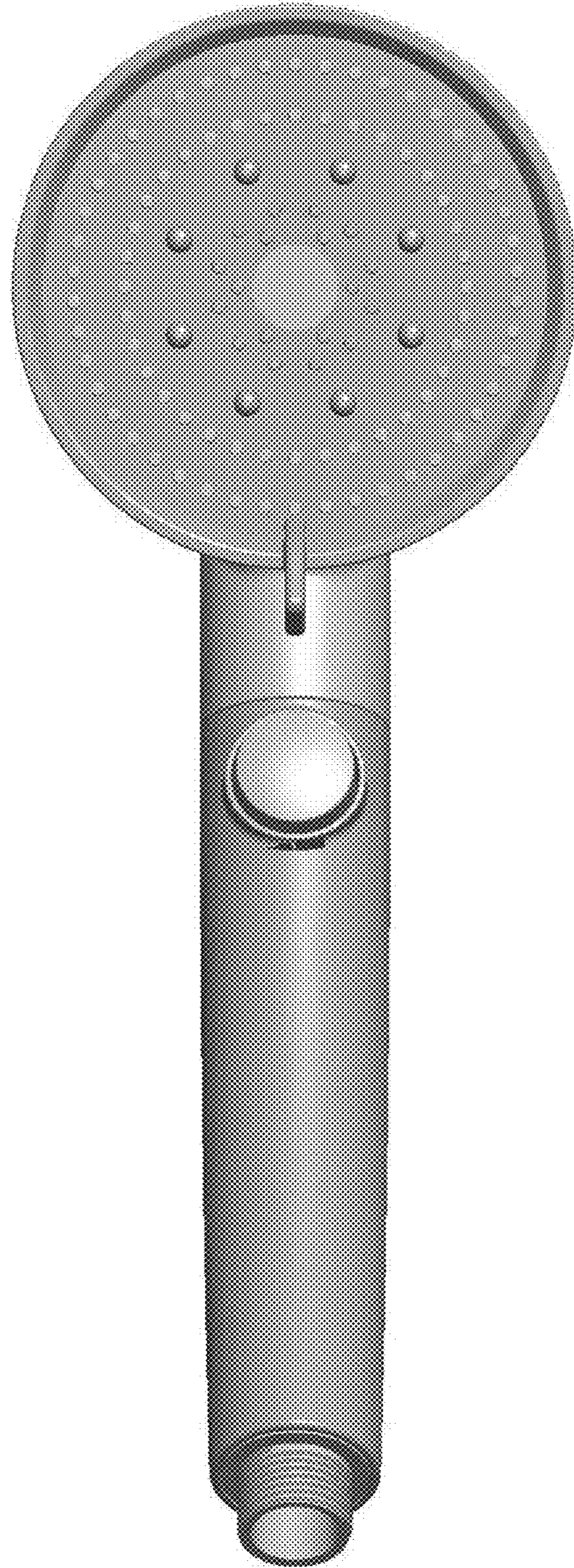
3.1



3.2



3.3



3.4



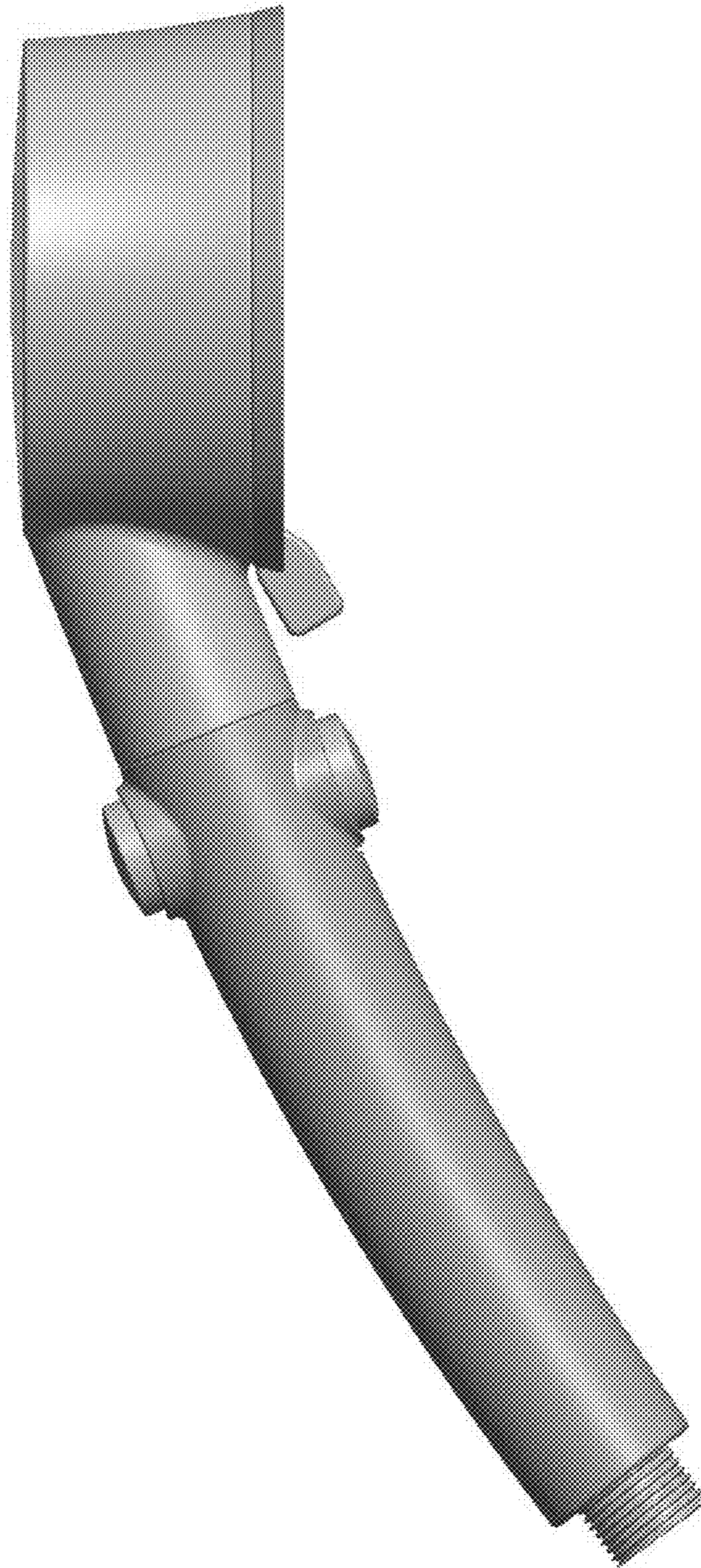
3.5



3.6



3.7





3.8

