



US00D988471S

(12) **United States Design Patent**  
**Stein et al.**

(10) **Patent No.:** **US D988,471 S**  
(45) **Date of Patent:** **\*\* Jun. 6, 2023**

(54) **FLOW REGULATOR**

(71) Applicant: **NEOPERL GMBH**, Müllheim (DE)

(72) Inventors: **Alexander Stein**, Ihringen (DE); **Simon Twitchett**, Worcester (GB)

(73) Assignee: **NEOPERL GMBH**, Mullheim (DE)

(\*\*) Term: **15 Years**

(21) Appl. No.: **29/847,214**

(22) Filed: **Jul. 22, 2022**

**Related U.S. Application Data**

(62) Division of application No. 29/699,120, filed on Jul. 23, 2019, now Pat. No. Des. 960,297, which is a division of application No. 29/614,607, filed on Aug. 21, 2017, now Pat. No. Des. 860,389, which is a division of application No. 29/556,970, filed on Mar. 4, 2016, now Pat. No. Des. 798,999.

(30) **Foreign Application Priority Data**

Nov. 18, 2015 (WO) ..... WIPO48731

(51) **LOC (14) Cl.** ..... **23-01**

(52) **U.S. Cl.**  
USPC ..... **D23/213**

(58) **Field of Classification Search**

USPC ..... D23/207, 209, 213, 214, 215, 223, 224,  
D23/225, 226, 229, 230, 249

CPC ..... A61H 9/0021; A61H 33/00; B05B 1/00;  
B05B 1/14; B05B 1/185; B05B 1/08;  
B05B 1/02; B05B 1/26; B05B 12/002;  
B05B 1/18; B05B 9/01

See application file for complete search history.

(56) **References Cited**

**U.S. PATENT DOCUMENTS**

5,467,929 A 11/1995 Bosio  
6,029,912 A 2/2000 Woolley

6,126,093 A 10/2000 Grether  
D435,632 S 12/2000 Allison  
D536,417 S 2/2007 Buttgen  
D539,391 S 3/2007 Grether  
D550,816 S 9/2007 Grether  
D550,817 S 9/2007 Grether  
D550,818 S 9/2007 Grether  
7,357,337 B2 4/2008 Ferrari  
7,374,366 B2 5/2008 Tasi  
D591,403 S 4/2009 Grether  
D605,732 S 12/2009 Stein  
D612,911 S 3/2010 Grether  
7,731,107 B2 6/2010 Grether

(Continued)

**OTHER PUBLICATIONS**

Moen 116711 Eco-Performance Aerator Flow Restrictor, 1.5 Gpm—  
Aerator Insert, Jun. 30, 2014, amazon.ca, Apr. 8, 2022, URL:  
<https://www.amazon.ca/Moen-116711-Flow-Restrictor-Kit/dp/B002A2CY2I/> (Year: 2014).\*

(Continued)

*Primary Examiner* — Keith J Wilson

(74) *Attorney, Agent, or Firm* — Volpe Koenig

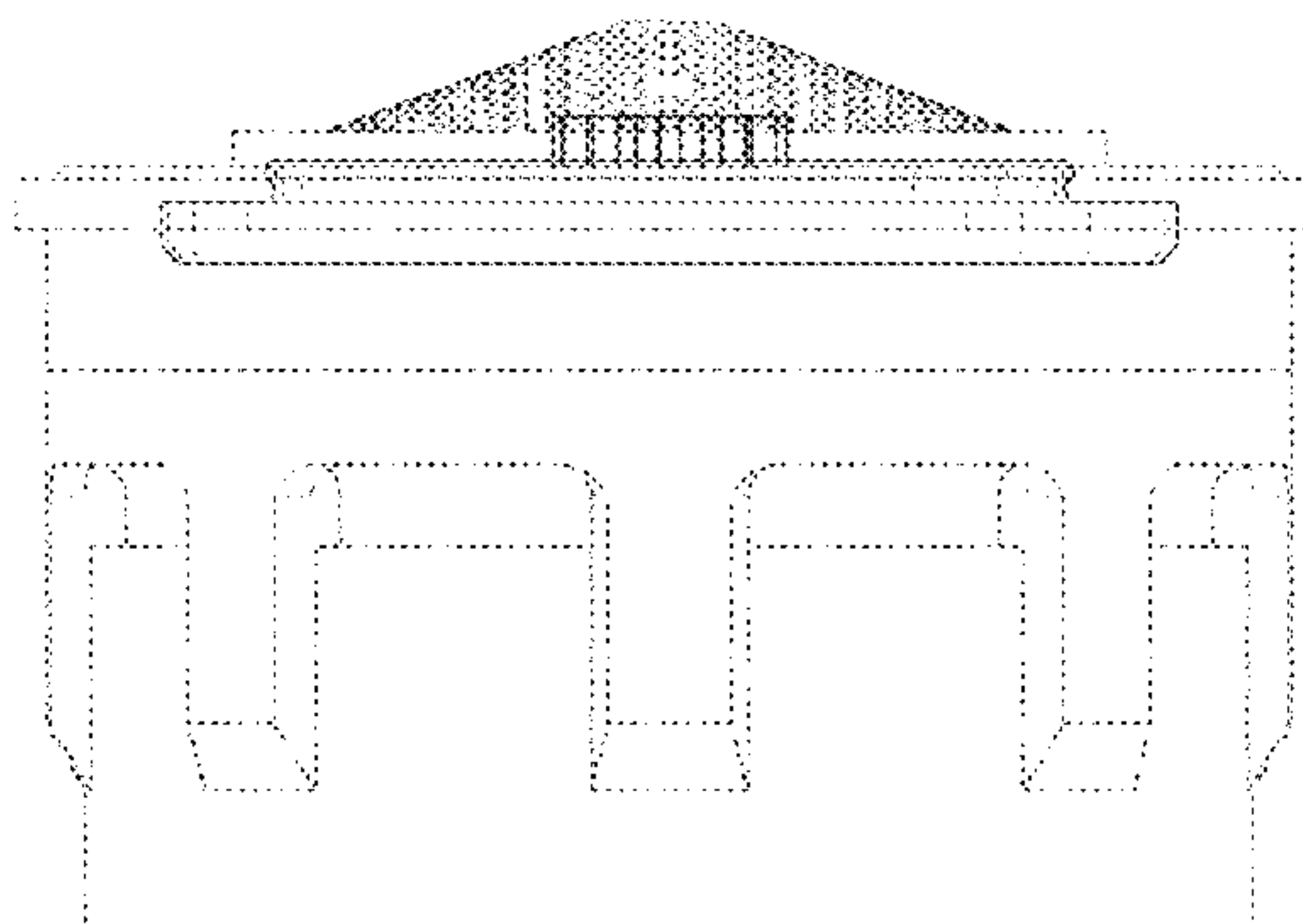
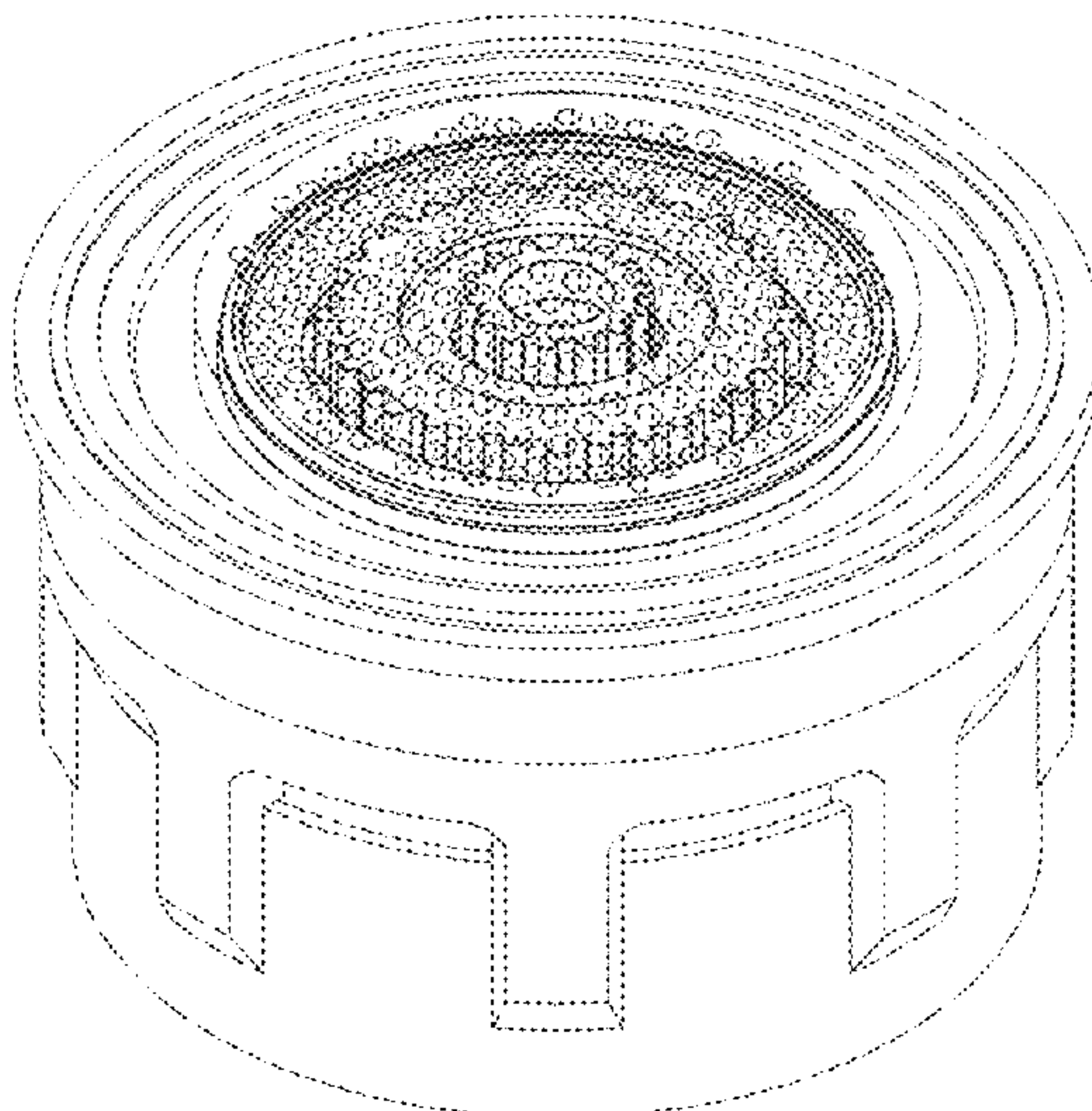
(57) **CLAIM**

The ornamental design for a flow regulator, as shown and described.

**DESCRIPTION**

FIG. 1 is a top plan view of the flow regulator of our design; FIG. 2 is a top isometric view thereof; FIG. 3 is a front elevational view thereof, the rear, right and left sides being identical thereto; and, FIG. 4 is a top isometric cross section view thereof. The broken lines shown in the drawings form no part of the claimed design.

**1 Claim, 4 Drawing Sheets**



(56)

References Cited

U.S. PATENT DOCUMENTS

RE43,347 E 5/2012 Grether  
 8,205,810 B2 6/2012 Lacher  
 8,328,119 B2 12/2012 Grether  
 D676,525 S 2/2013 Jones  
 D688,774 S 8/2013 Tempel  
 D690,797 S \* 10/2013 Blum ..... D23/249  
 D721,417 S 1/2015 Sawchuck  
 D728,740 S 5/2015 Tempel  
 D733,255 S \* 6/2015 Blum ..... D23/213  
 D752,710 S 3/2016 Tempel  
 D753,792 S \* 4/2016 Blum ..... D23/213  
 D754,282 S \* 4/2016 Blum ..... D23/249  
 D762,814 S 8/2016 Sawchuck  
 9,404,596 B2 8/2016 Chen  
 9,416,522 B2 8/2016 Tempel  
 D776,240 S 1/2017 Huang  
 D776,242 S \* 1/2017 Blum ..... D23/213  
 D777,879 S 1/2017 Sawchuck  
 9,580,893 B2 2/2017 Blum  
 D786,400 S \* 5/2017 Blum ..... D23/213  
 D788,264 S 5/2017 Stein  
 9,637,896 B2 5/2017 Tempel  
 D788,881 S 6/2017 Birmelin  
 D791,921 S \* 7/2017 Blum ..... D23/249  
 D800,250 S \* 10/2017 Blum ..... D23/213  
 D800,867 S \* 10/2017 Blum ..... D23/249  
 D812,722 S \* 3/2018 Blum ..... D23/249  
 10,017,924 B2 7/2018 Zoller et al.  
 D833,573 S \* 11/2018 Blum ..... D23/213  
 D833,583 S 11/2018 Birmelin  
 D834,153 S 11/2018 Tempel  
 D839,385 S \* 1/2019 Vögeli ..... D23/213  
 D840,503 S \* 2/2019 Stein ..... D23/213  
 D844,104 S \* 3/2019 Birmelin ..... D23/213  
 D844,747 S 4/2019 Blum  
 D849,887 S \* 5/2019 Blum ..... D23/213  
 D849,888 S \* 5/2019 Schürle ..... D23/213  
 D851,208 S \* 6/2019 Birmelin ..... D23/213  
 D853,524 S \* 7/2019 Song ..... D23/213  
 D855,756 S \* 8/2019 Blum ..... D23/213  
 D860,402 S \* 9/2019 Blum ..... D23/249  
 D866,709 S 11/2019 Schurle  
 D866,710 S \* 11/2019 Blum ..... D23/213  
 D871,553 S \* 12/2019 Blum ..... B29C 49/60  
 D894,338 S \* 8/2020 Lai ..... E03C 1/08  
 D895,065 S \* 9/2020 Lai ..... D23/213  
 D896,343 S \* 9/2020 Stein ..... D23/213

D905,199 S \* 12/2020 Wu ..... D23/213  
 D905,820 S \* 12/2020 Weiß ..... E03C 1/08  
 D906,478 S \* 12/2020 Stein ..... E03C 1/08  
 D911,488 S \* 2/2021 Spater ..... D23/213  
 D921,152 S \* 6/2021 Blum ..... D23/249  
 D926,923 S \* 8/2021 Ross ..... D23/213  
 D933,776 S \* 10/2021 Blum ..... D23/213  
 D936,787 S \* 11/2021 Morgan ..... E03C 1/084  
 D937,383 S \* 11/2021 Thibodeau ..... B29C 49/60  
 D937,384 S \* 11/2021 Khubani ..... D23/213  
 11,235,340 B2 2/2022 Keifer  
 D944,920 S 3/2022 Lai  
 D944,921 S 3/2022 Lai  
 D944,922 S 3/2022 Lai  
 D946,110 S \* 3/2022 Blum ..... E03C 1/086  
 D946,707 S \* 3/2022 Blum ..... E03C 1/084  
 2016/0273199 A1 \* 9/2016 Blum ..... E03C 1/08  
 2019/0301148 A1 \* 10/2019 Schurle ..... E03C 1/08  
 2020/0199857 A1 \* 6/2020 Stein ..... E03C 1/086  
 2020/0224395 A1 7/2020 Stein  
 2021/0277639 A1 \* 9/2021 Birmelin ..... E03C 1/086  
 2021/0285194 A1 \* 9/2021 Stein ..... E03C 1/084  
 2021/0388586 A1 \* 12/2021 Stein ..... E03C 1/084

OTHER PUBLICATIONS

Danco 10496 1.0 Gpm Dual Thread Extra-Water-Saving Aerator Insert, Green, Oct. 10, 2014, amazon.ca, Apr. 8, 2022, URL: <https://www.amazon.ca/Danco-10496-Thread-Extra-Water-Saving-Aerator/dp/B008OCHFQI/> (Year: 2014).\*

Pfister 941-2930 1.75GPM Aerator Insert, Jan. 8, 2015, amazon.ca, Apr. 8, 2022, URL: <https://www.amazon.ca/Pfister-941-2930-1-75GPM-Aerator-Insert/dp/B009E27XF0/> (Year: 2015).\*

Kohler K-1097180 Insert-Aerator, 1.5 GPM, Medium, Jan. 5, 2015, amazon.ca, Apr. 8, 2022, URL: <https://www.amazon.ca/KOHLER-K-1097180-Insert-Aerator-Medium/dp/B006XA7VDK/> (Year: 2015).\*

Moen 137401 Eco-Performance Aerator Flow Restrictor, Feb. 2, 2011, amazon.ca, Mar. 18, 2022, URL: <https://www.amazon.ca/Moen-137401-Replacement-Part/dp/B002FB7M7Q/> (Year: 2011).

Delta Faucet RP51345 Lahara Aerator, One Size, Blue, Oct. 10, 2010, amazon.ca, Mar. 18, 2022, URL: <https://www.amazon.ca/Delta-Faucet-RP51345-Lahara-Aerator/dp/B002Q42IW6/> (Year: 2010).

\* cited by examiner



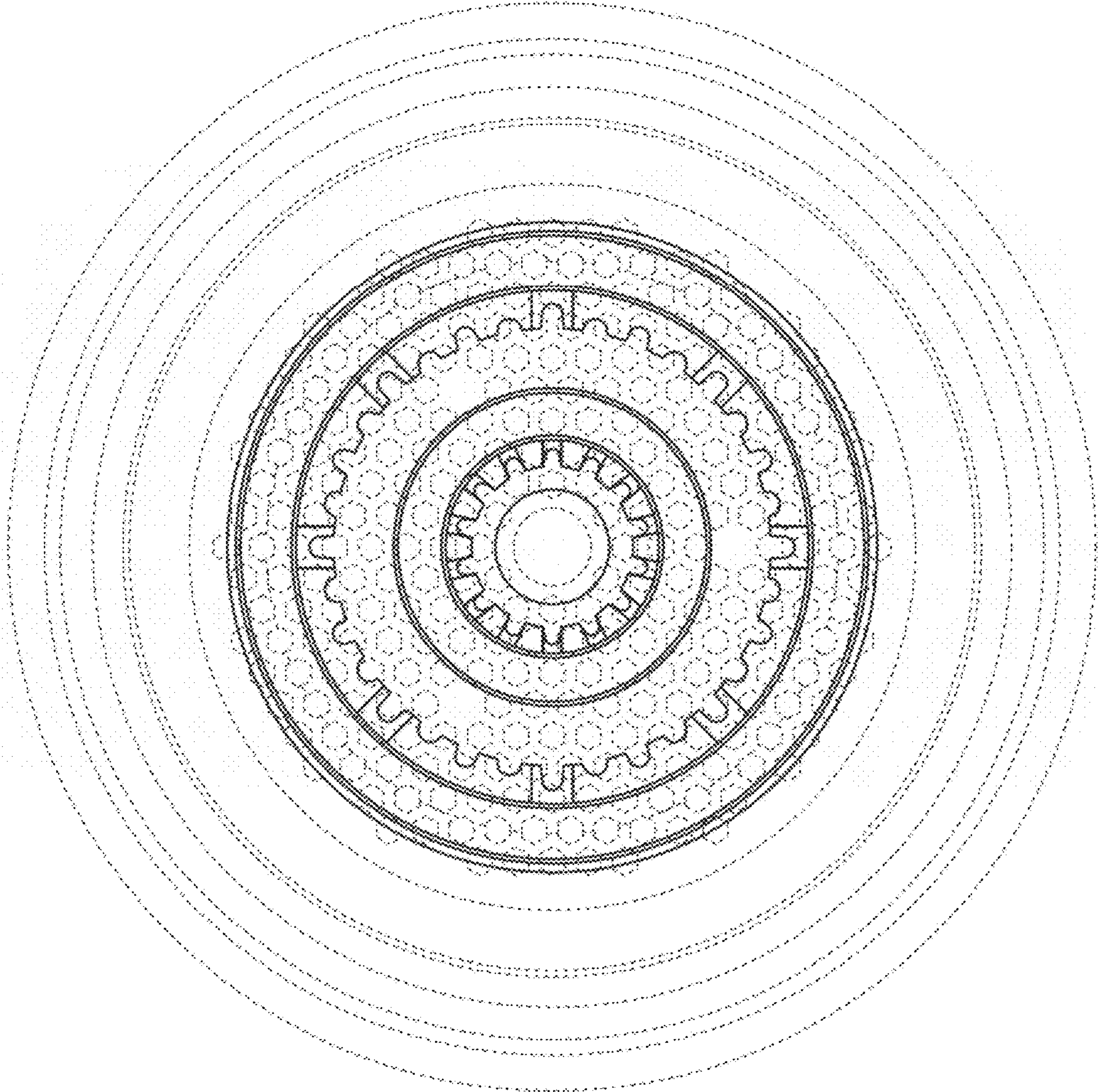


FIG. 1



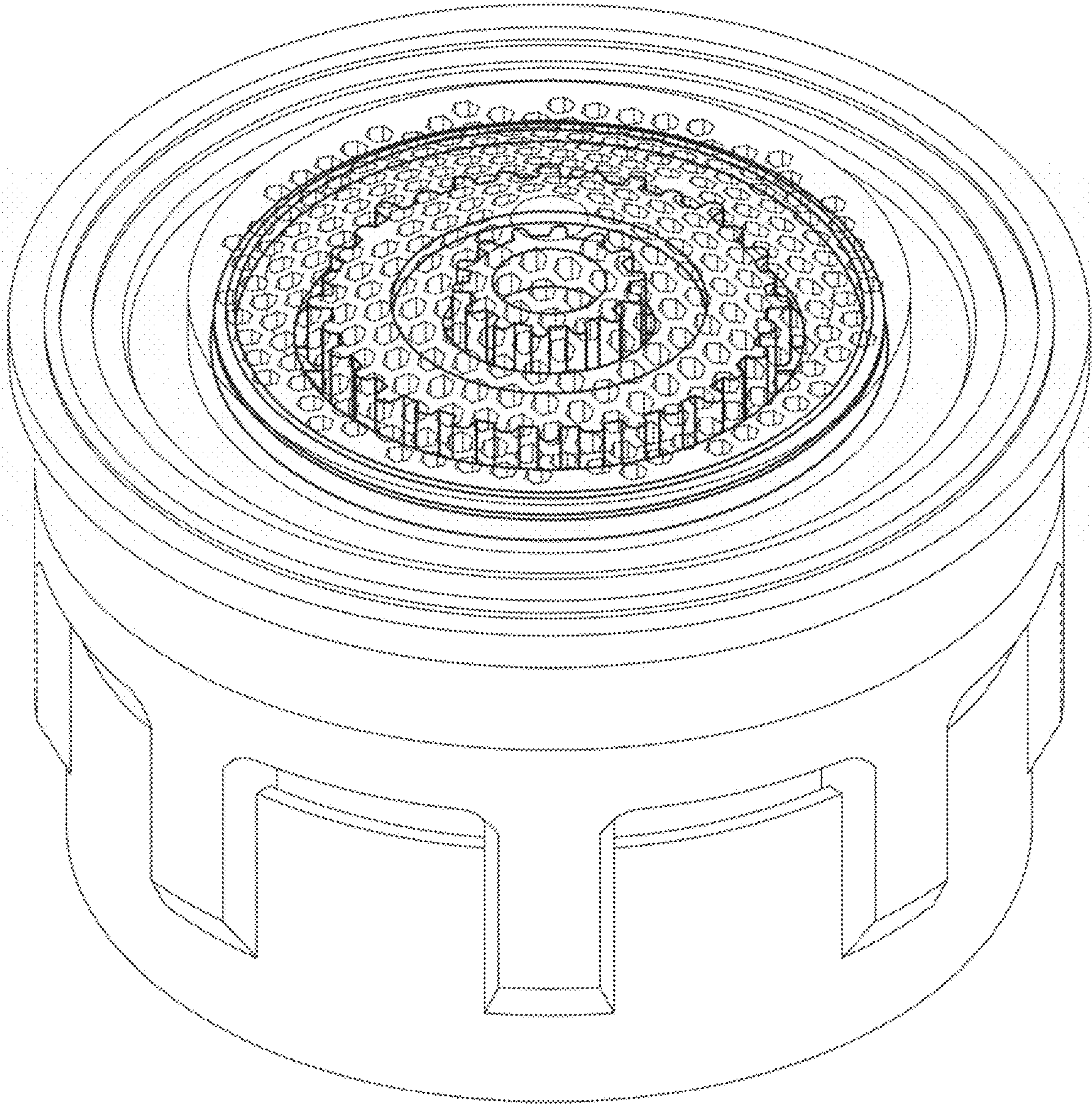


FIG. 2

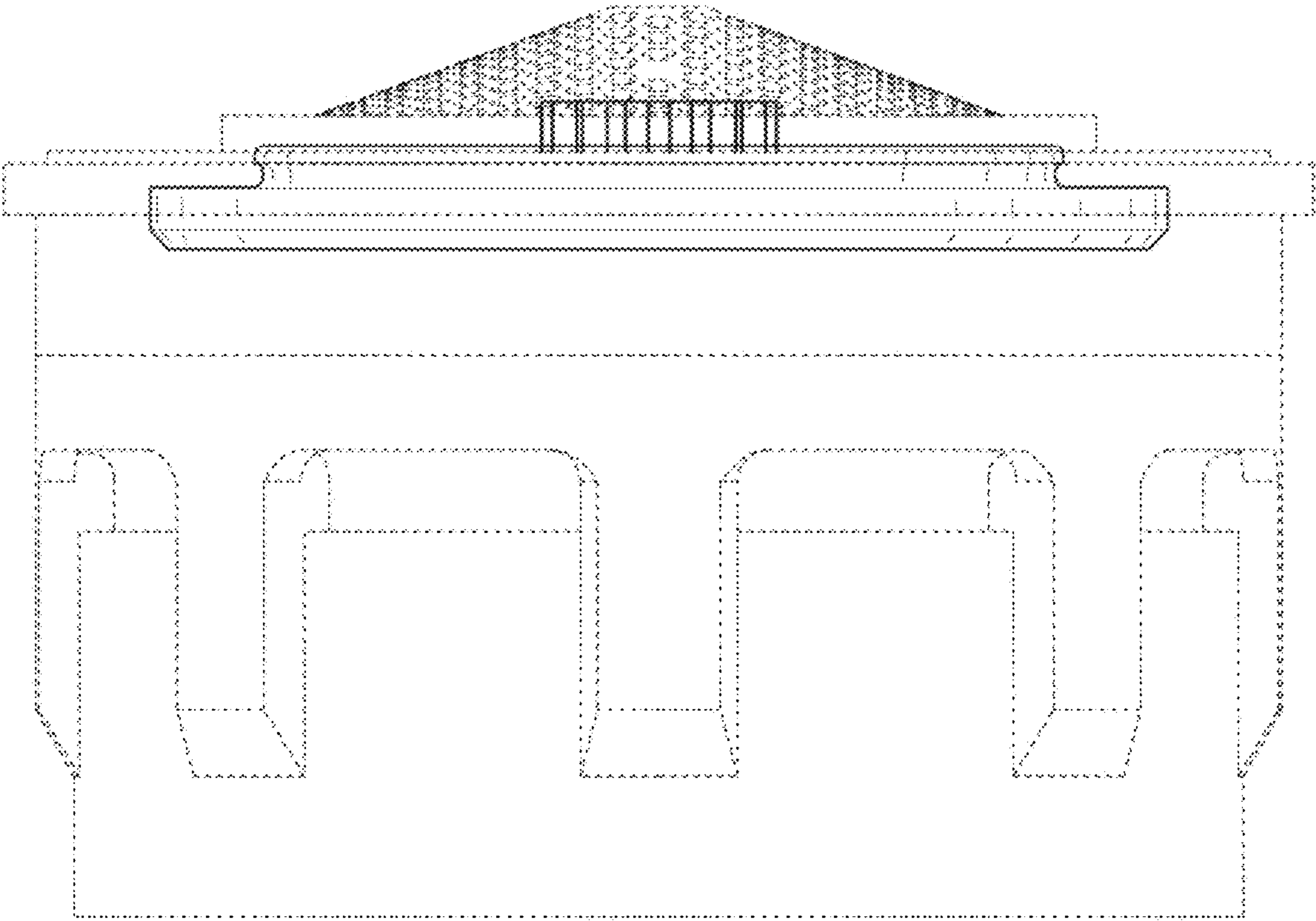


FIG. 3



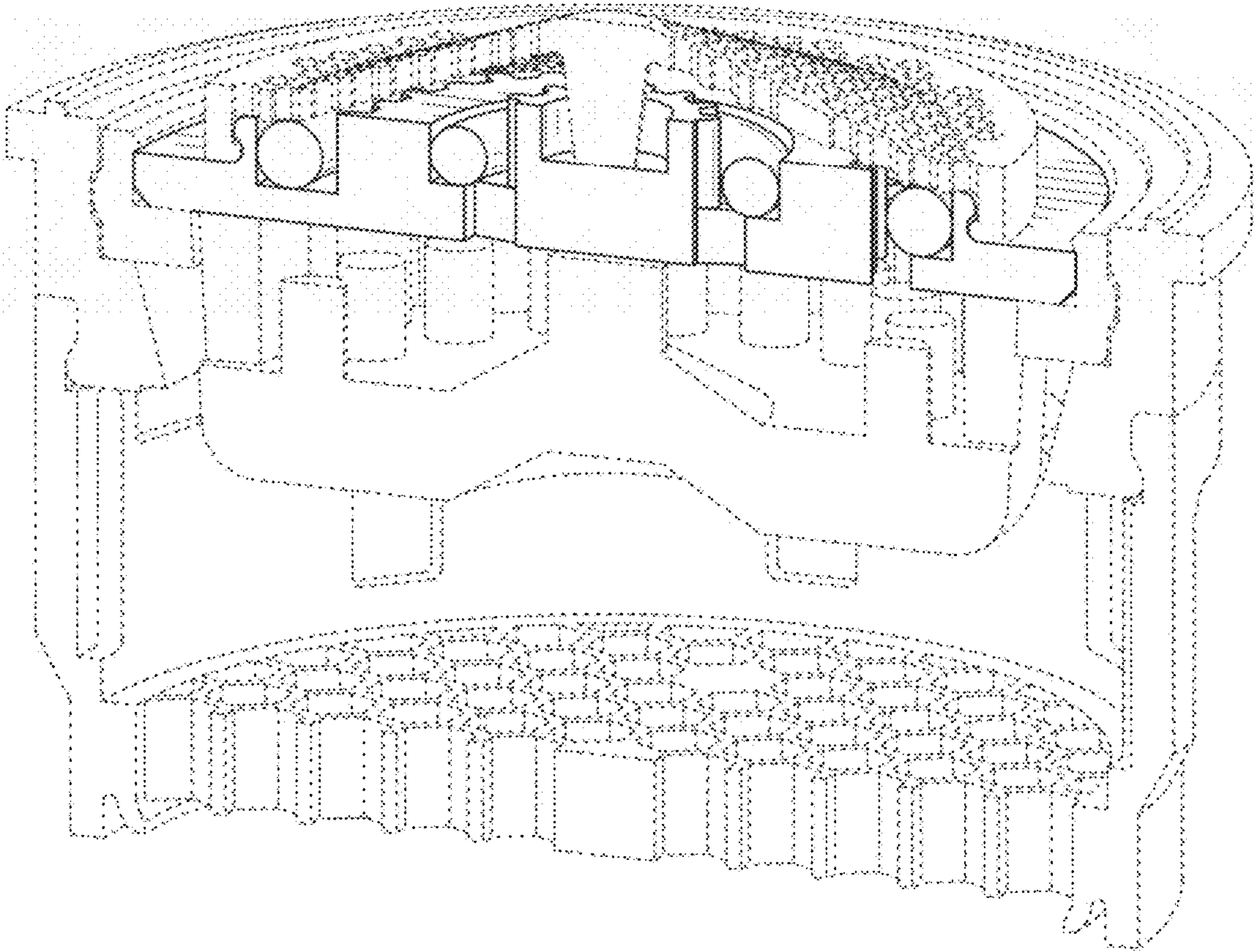


FIG. 4