



US00D988470S

(12) **United States Design Patent**
Kim et al.

(10) **Patent No.:** **US D988,470 S**
(45) **Date of Patent:** **** Jun. 6, 2023**

(54) **NOZZLE FOR DISHWASHER**
(71) Applicant: **SAMSUNG ELECTRONICS CO., LTD.**, Suwon-si (KR)
(72) Inventors: **Daejong Kim**, Suwon-si (KR);
Ae-Ryun Kim, Suwon-si (KR);
Kyungseob Yang, Suwon-si (KR)
(73) Assignee: **SAMSUNG ELECTRONICS CO., LTD.**, Gyeonggi-Do (KR)

D827,953 S * 9/2018 Lee A47L 15/00
D32/3
D885,694 S * 5/2020 Michal D32/3
D890,298 S * 7/2020 Pixton D23/213
D892,268 S * 8/2020 Wang D23/213
D900,963 S * 11/2020 Wu D23/223
D901,632 S * 11/2020 Wu D23/223
D901,633 S * 11/2020 Wang D23/223
D908,836 S * 1/2021 Wu D23/213
D908,839 S * 1/2021 Wu D23/223
D925,144 S * 7/2021 Michal D32/3
D930,790 S * 9/2021 Yan D23/223
D956,924 S * 7/2022 Pixton D23/213

(Continued)

(**) Term: **15 Years**

(21) Appl. No.: **29/812,202**

(22) Filed: **Oct. 20, 2021**

(30) **Foreign Application Priority Data**

Aug. 18, 2021 (KR) 30-2021-0038973

(51) **LOC (14) Cl.** **23-01**

(52) **U.S. Cl.**
USPC **D23/213**

(58) **Field of Classification Search**
USPC D23/213, 214, 215, 221-222, 223, 224,
D23/226, 229, 230
CPC A61H 9/0021; A61H 33/00; B05B 1/00;
B05B 1/14; B05B 1/185; B05B 1/08;
B05B 1/02; B05B 1/26; B05B 12/002;
B05B 1/18; B05B 9/01
See application file for complete search history.

(56) **References Cited**

U.S. PATENT DOCUMENTS

D578,604 S * 10/2008 Wu D23/223
D720,509 S * 12/2014 Baldwin D32/3
9,764,339 B2 * 9/2017 Yu B05B 1/18
D799,762 S * 10/2017 Baldwin D32/3
D810,861 S * 2/2018 Weaver D23/228

OTHER PUBLICATIONS

Bravo Outlet Glass Rinser for Kitchen Sink, Feb. 10, 2023, amazon.ca, Feb. 17, 2023, URL: <https://www.amazon.ca/Bravo-Outlet-Glass-Rinser-Kitchen/dp/B09W5VG69W/> (Year: 2023).*

(Continued)

Primary Examiner — Keith J Wilson

(74) *Attorney, Agent, or Firm* — Cantor Colburn LLP

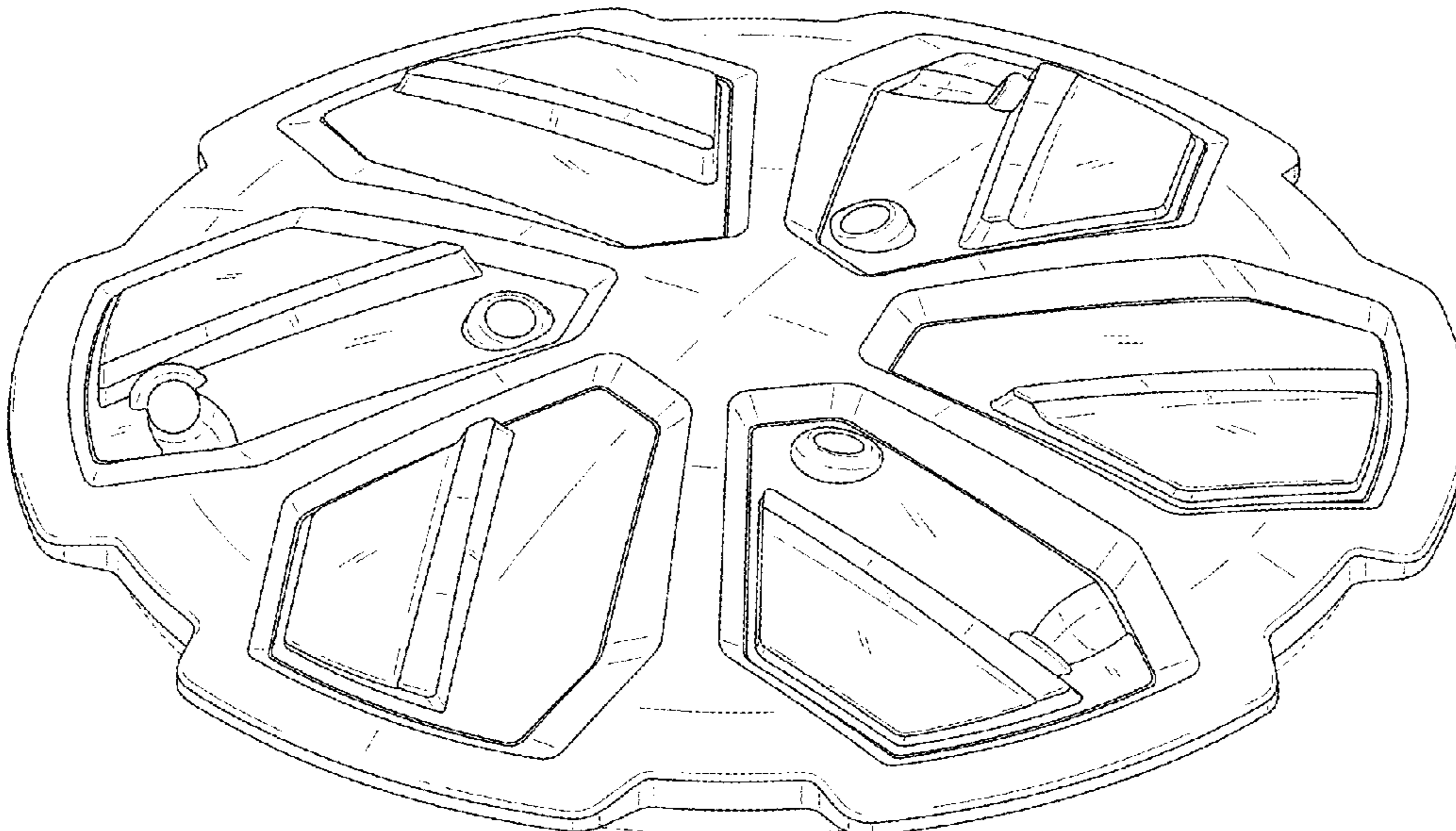
(57) **CLAIM**

The ornamental design for a nozzle for dishwasher, as shown and described.

DESCRIPTION

FIG. 1 is a front perspective view of a nozzle for dishwasher, showing our new design;
FIG. 2 is a front view thereof;
FIG. 3 is a rear view thereof;
FIG. 4 is a left-side view thereof;
FIG. 5 is a right-side view thereof;
FIG. 6 is a top plan view thereof; and,
FIG. 7 is a bottom plan view thereof.
The evenly dashed broken lines illustrating portions of the nozzle for dishwasher form no part of the claimed design.

1 Claim, 7 Drawing Sheets



(56)

References Cited

U.S. PATENT DOCUMENTS

D960,317 S * 8/2022 Jia D23/223

OTHER PUBLICATIONS

Diameter Waste Disposer Cover, Oct. 22, 2020, amazon.ca, Feb. 17, 2023, URL: <https://www.amazon.ca/Waste-Disposer-Parts-Diameter-InSinkErator/dp/B08LNR5LK6/> (Year: 2020).*

* cited by examiner

FIG. 1

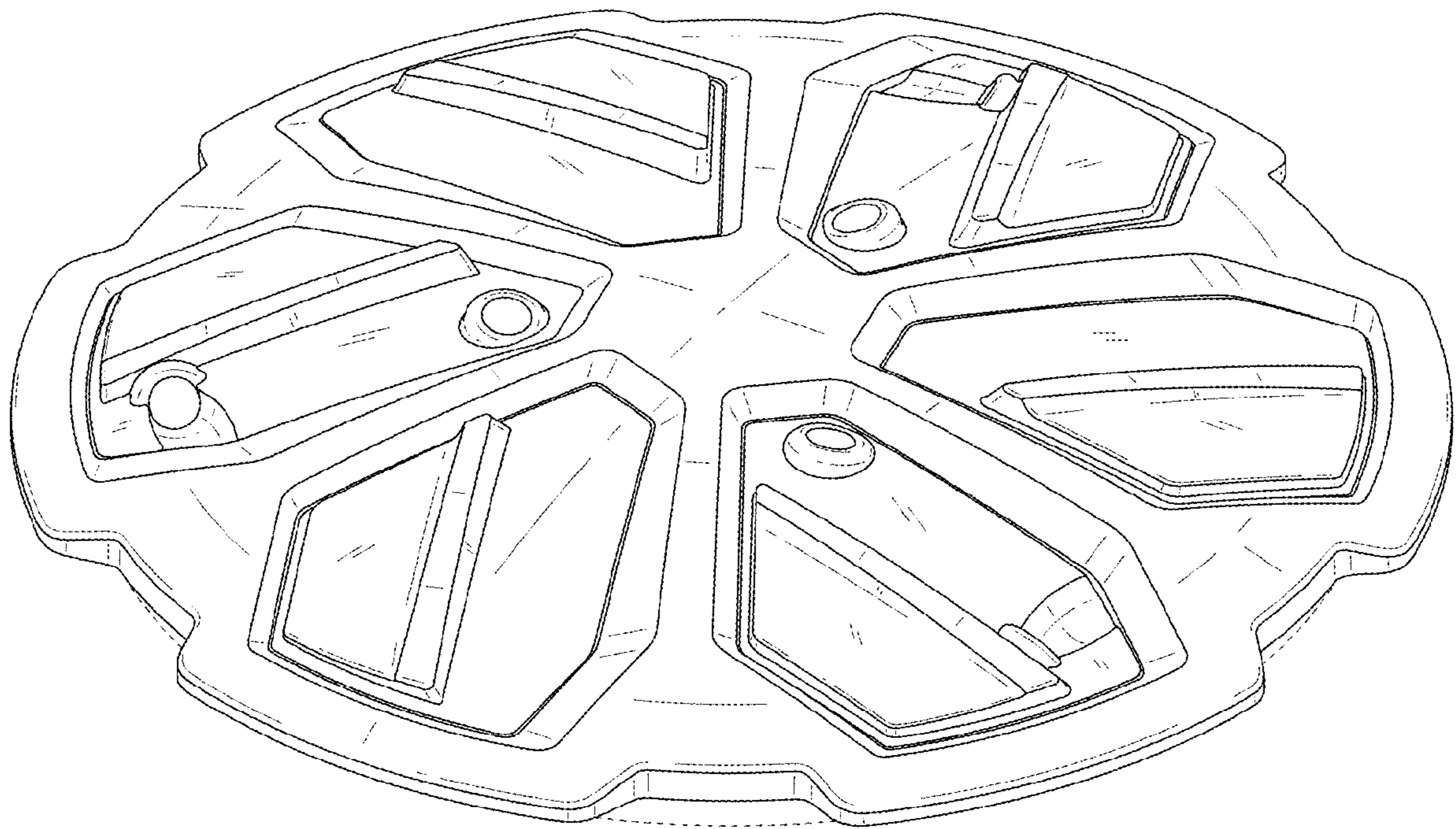


FIG. 2

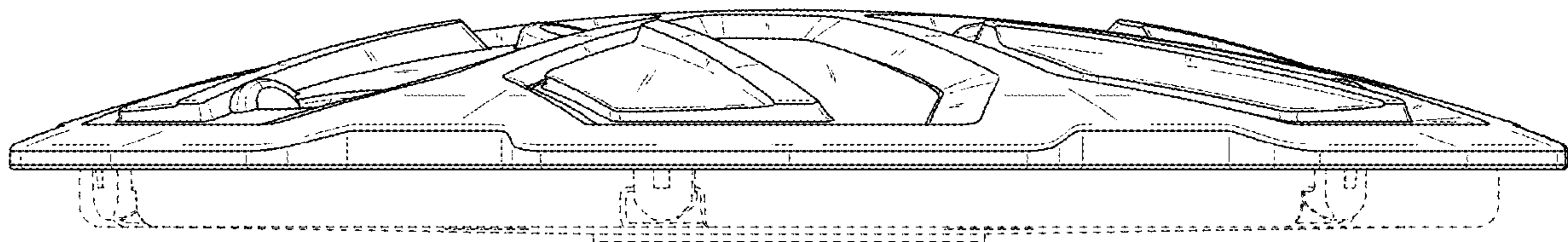


FIG. 3

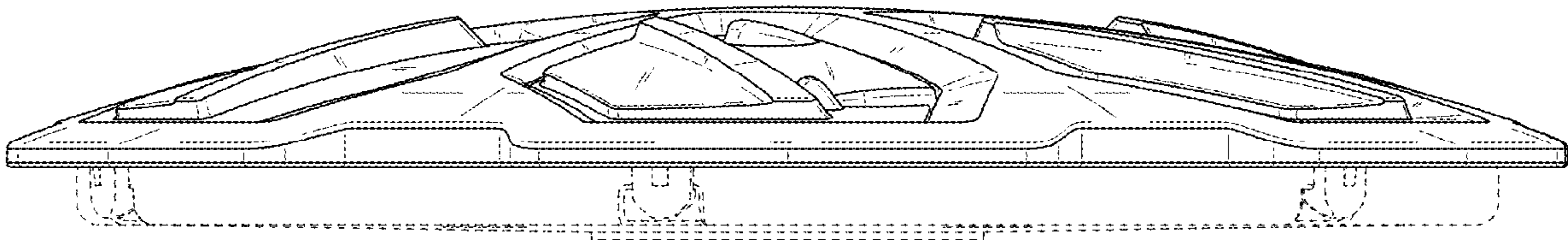


FIG. 4

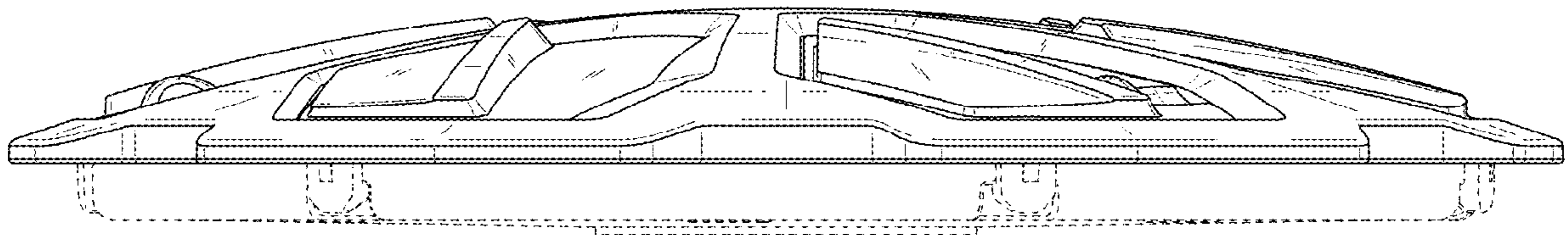


FIG. 5

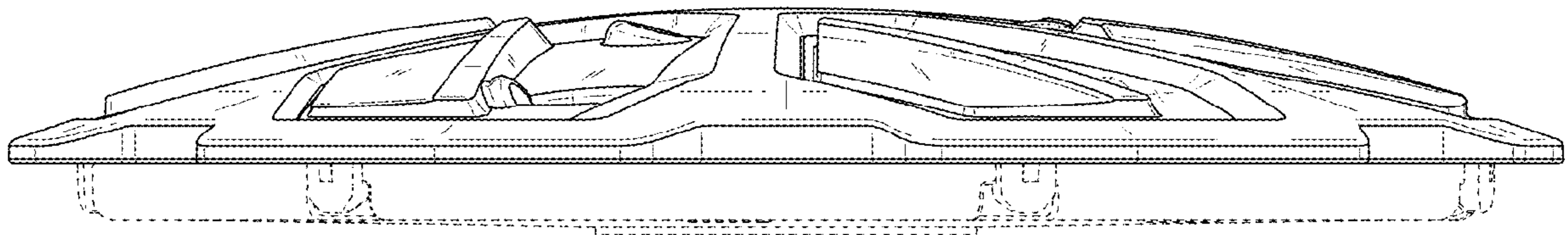


FIG. 6

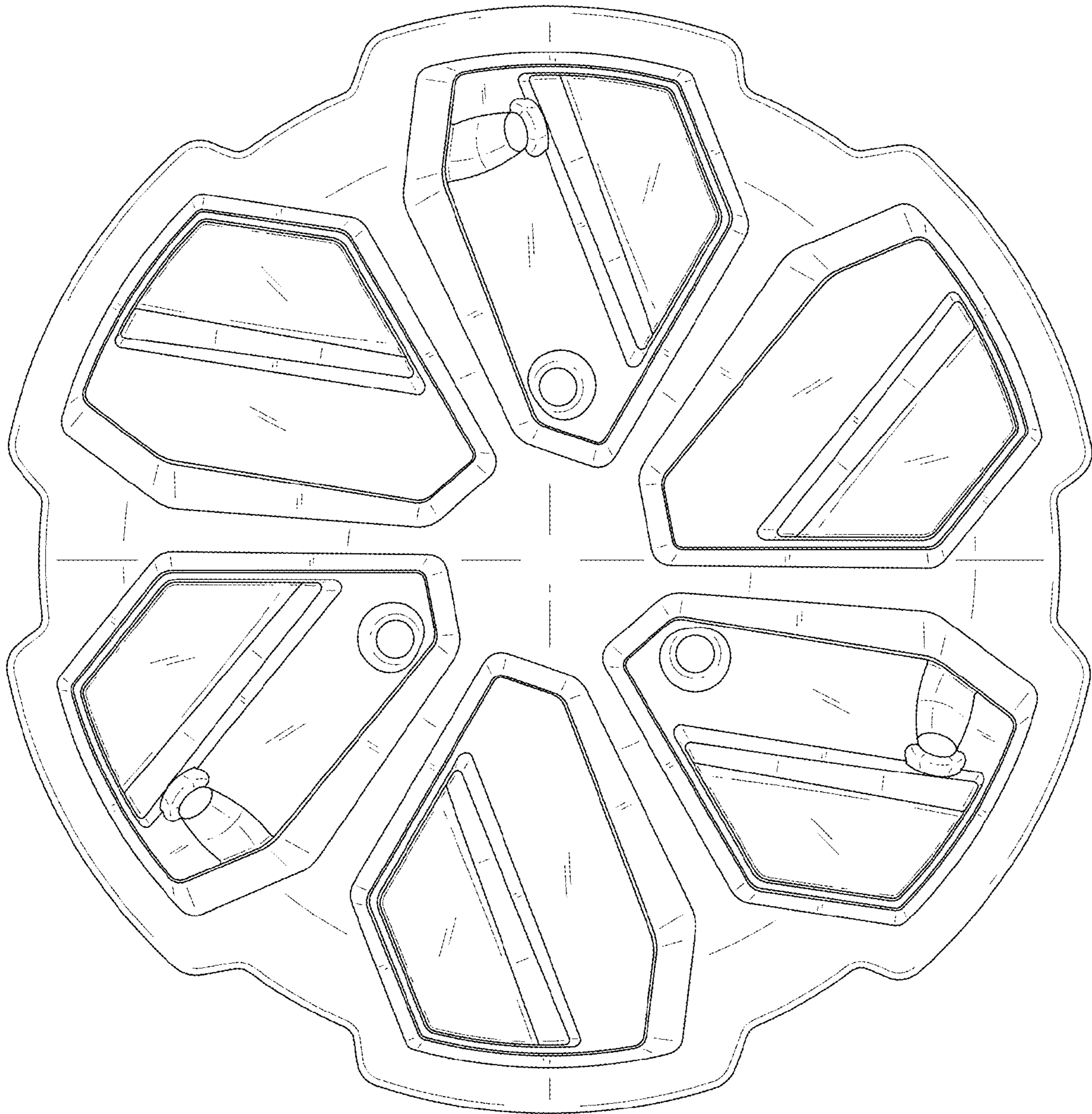


FIG. 7

