



US00D988467S

(12) **United States Design Patent**
Wang

(10) **Patent No.:** **US D988,467 S**
(45) **Date of Patent:** **** Jun. 6, 2023**

- (54) **FILTER FOR PET FOUNTAIN**
- (71) Applicant: **Shenzhen Yinuo Technology, Ltd.,**
Shenzhen (CN)
- (72) Inventor: **Xuzhong Wang,** Shenzhen (CN)
- (73) Assignee: **Shenzhen Yinuo Technology, Ltd.,**
Shenzhen (CN)
- (**) Term: **15 Years**
- (21) Appl. No.: **29/862,864**
- (22) Filed: **Dec. 13, 2022**
- (30) **Foreign Application Priority Data**
Sep. 20, 2022 (CN) 202230620020.4
- (51) **LOC (14) Cl.** **23-01**
- (52) **U.S. Cl.**
USPC **D23/209; D23/207; D23/365**
- (58) **Field of Classification Search**
USPC D23/207, 209, 365; D24/162, 101, 124;
D27/167
CPC B01D 27/00; B01D 35/30; B01D 27/08
See application file for complete search history.
- (56) **References Cited**

U.S. PATENT DOCUMENTS

- D260,175 S * 8/1981 Hein D23/209
- D274,462 S * 6/1984 Rakocy D23/365
- D321,745 S 11/1991 Murrell
- D324,720 S 3/1992 Kopf
- 8,770,148 B2 * 7/2014 Lipscomb F04B 23/021
119/74
- D717,395 S * 11/2014 Neto D23/209
- D720,844 S * 1/2015 Wells D24/101
- D762,833 S * 8/2016 Ogg D23/365
- 10,165,753 B1 1/2019 Huang
- D864,477 S * 10/2019 Liu D27/167
- D881,337 S 4/2020 Kirk et al.
- 10,779,508 B2 9/2020 Imaizumi et al.
- D912,763 S * 3/2021 Huang D23/209

- D912,766 S * 3/2021 Tu D23/209
- 11,122,773 B2 9/2021 Moretto
- D935,552 S * 11/2021 Wang D23/209
- D938,006 S * 12/2021 Du D23/365
- D947,990 S * 4/2022 Tao D23/209
- D949,286 S * 4/2022 Tu D23/209
- D949,287 S * 4/2022 Tu D23/209
- D949,288 S * 4/2022 Wang D23/209

(Continued)

FOREIGN PATENT DOCUMENTS

- CN 303388458 9/2015
- CN 304354841 11/2017

(Continued)

OTHER PUBLICATIONS

<https://www.moersky.net/Pet-Fountain-Cat-Water-Dispenser-Healthy-and-Hygienic-Drinking-Fountain-2L-Super-Quiet-Automatic-Water-Bowl-with-Filter-and-Silicone-Mat-for-Dogs-Cats-Birds-and-Small-Animals-Replacement-Filters-p879647.html> (Year: 2018).*

Primary Examiner — Keith J Wilson
(74) *Attorney, Agent, or Firm* — Marshall, Gerstein & Borun LLP

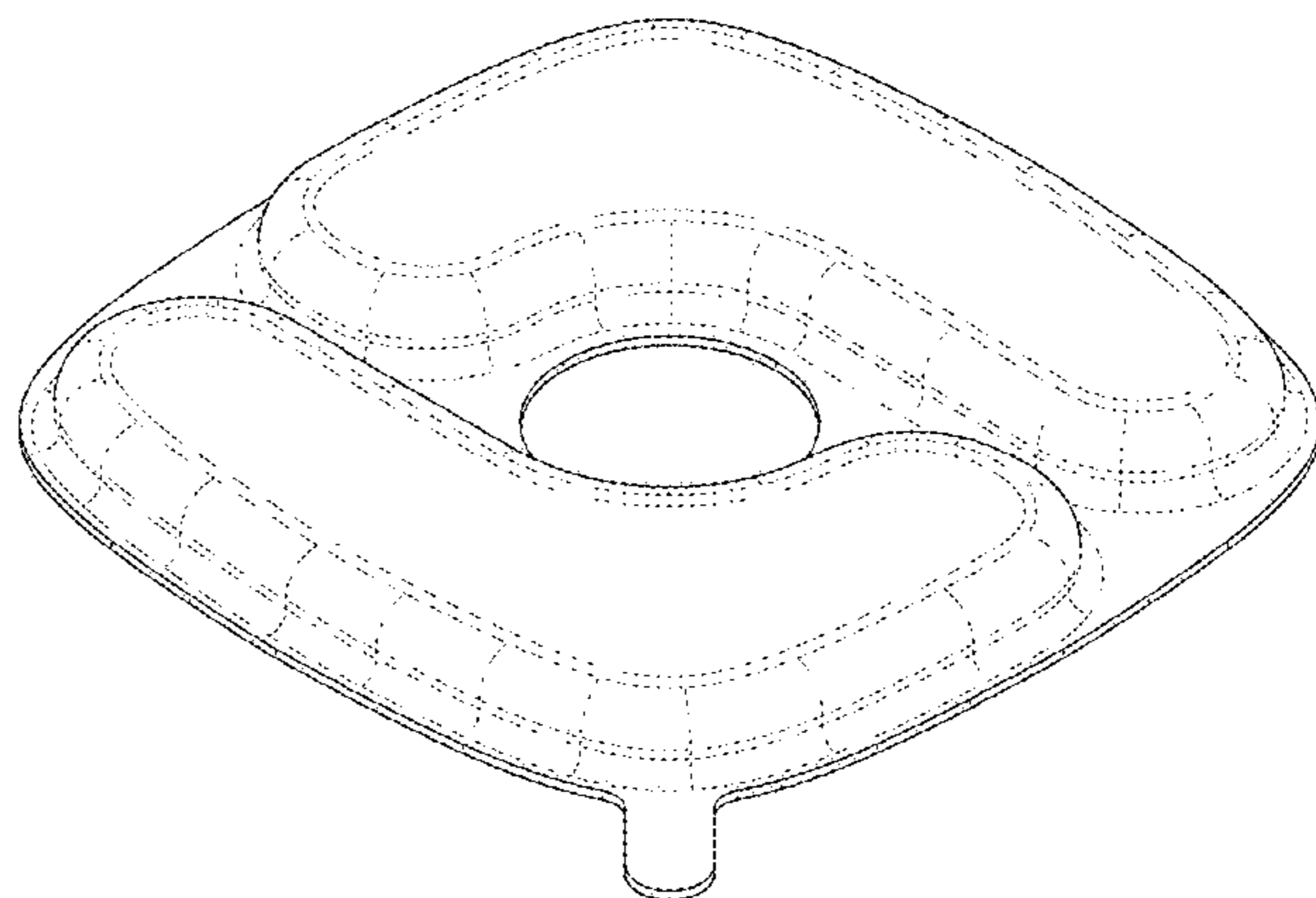
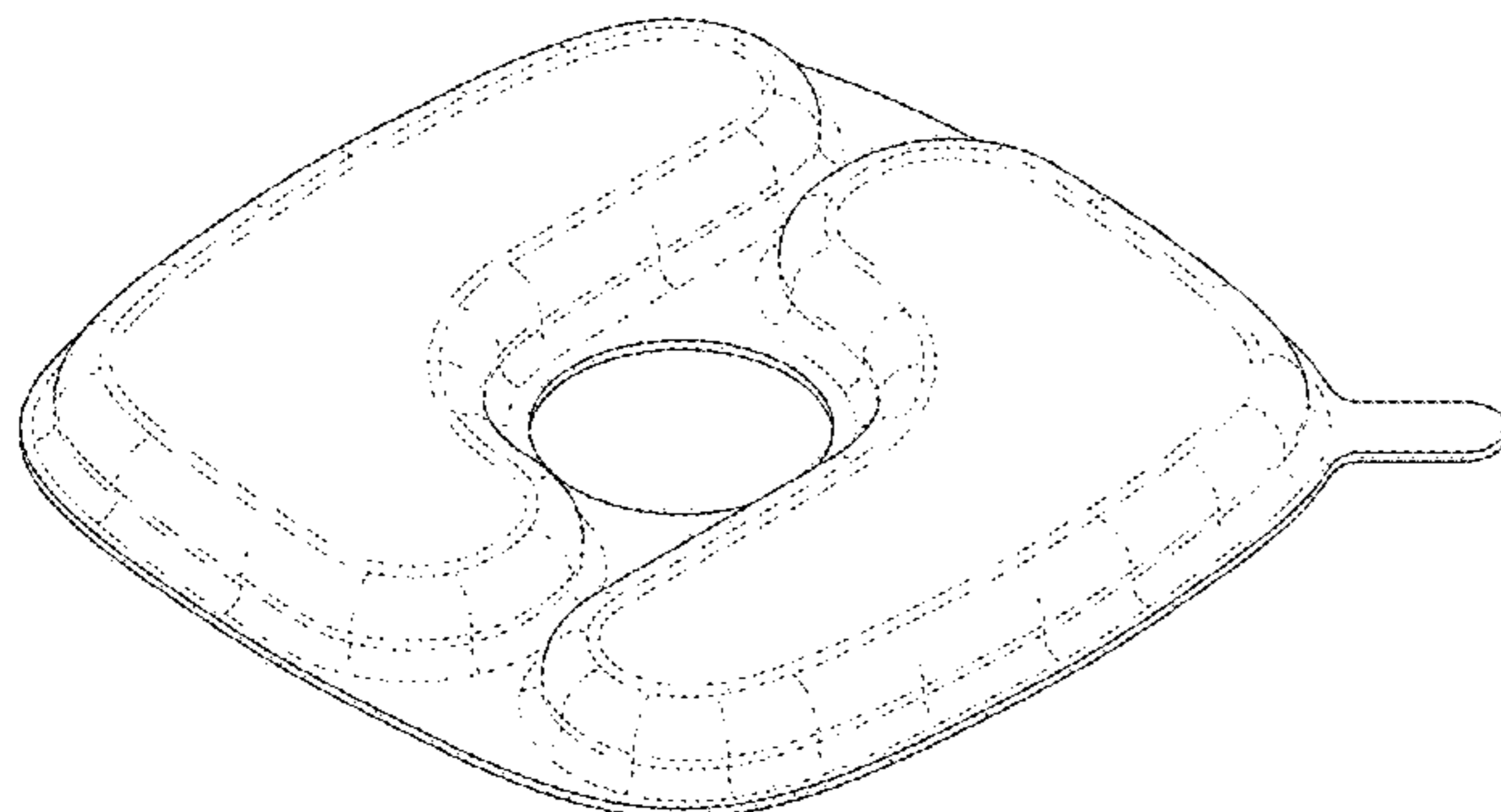
(57) **CLAIM**

The ornamental design for a filter for pet fountain, as shown and described.

DESCRIPTION

FIG. 1 is a top, front, right side perspective view of a filter for pet fountain showing our new design;
FIG. 2 is a top, left, front side perspective view thereof;
FIG. 3 is a front view thereof;
FIG. 4 is a rear view thereof;
FIG. 5 is a left side view thereof;
FIG. 6 is a right side view thereof;
FIG. 7 is a top view thereof; and,
FIG. 8 is a bottom view thereof.

1 Claim, 7 Drawing Sheets



(56)

References Cited

U.S. PATENT DOCUMENTS

D966,463 S 10/2022 Sayers et al.
 D972,682 S * 12/2022 Pan D23/209
 2009/0200194 A1 8/2009 Kovacevich et al.
 2013/0019809 A1 1/2013 McCallum et al.
 2020/0085009 A1 3/2020 Youn et al.
 2020/0337266 A1 10/2020 Yu et al.
 2021/0007324 A1 1/2021 Chen
 2021/0354897 A1 11/2021 Geigle et al.
 2022/0386561 A1* 12/2022 Yu A01K 5/0135

FOREIGN PATENT DOCUMENTS

CN 304875774 11/2018
 CN 304875780 11/2018
 CN 305167029 5/2019
 CN 305218030 6/2019
 CN 305708844 4/2020
 CN 305922257 7/2020
 CN 305922258 7/2020
 CN 305924122 7/2020
 CN 305941517 7/2020
 CN 305941518 7/2020
 CN 305999721 8/2020
 CN 305999722 8/2020
 CN 306006598 8/2020
 CN 306006600 8/2020
 CN 306021787 8/2020
 CN 306055917 9/2020
 CN 306061279 9/2020

CN 306109405 10/2020
 CN 306109406 10/2020
 CN 211861463 U 11/2020
 CN 306176669 11/2020
 CN 306176670 11/2020
 CN 306176671 11/2020
 CN 306198797 11/2020
 CN 306243450 12/2020
 CN 306243465 12/2020
 CN 306243519 12/2020
 CN 212697146 U 3/2021
 CN 306386265 3/2021
 CN 306516538 5/2021
 CN 306516548 5/2021
 CN 306688241 7/2021
 CN 213939283 U 8/2021
 CN 306843368 9/2021
 CN 306875380 10/2021
 CN 306875381 10/2021
 CN 214853551 U 11/2021
 CN 307007175 12/2021
 CN 307013157 12/2021
 CN 307049957 1/2022
 CN 307073788 1/2022
 CN 216972162 U 7/2022
 CN 217015599 U 7/2022
 CN 307431064 7/2022
 CN 307431930 7/2022
 CN 217188312 U 8/2022
 CN 307533357 9/2022
 WO WO-2018/014383 A1 1/2018
 WO WO-2020/063932 A1 4/2020

* cited by examiner

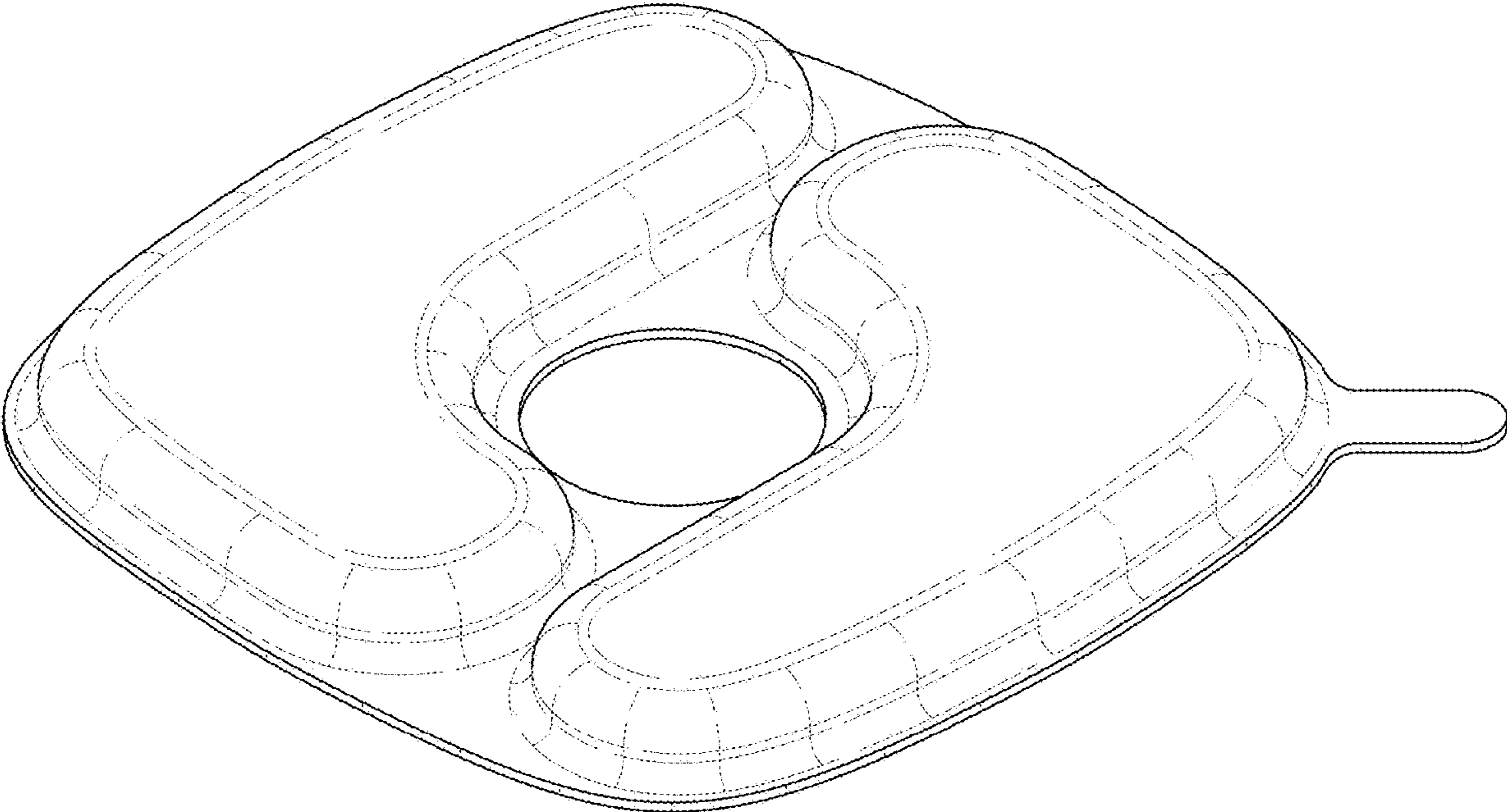


Fig.1

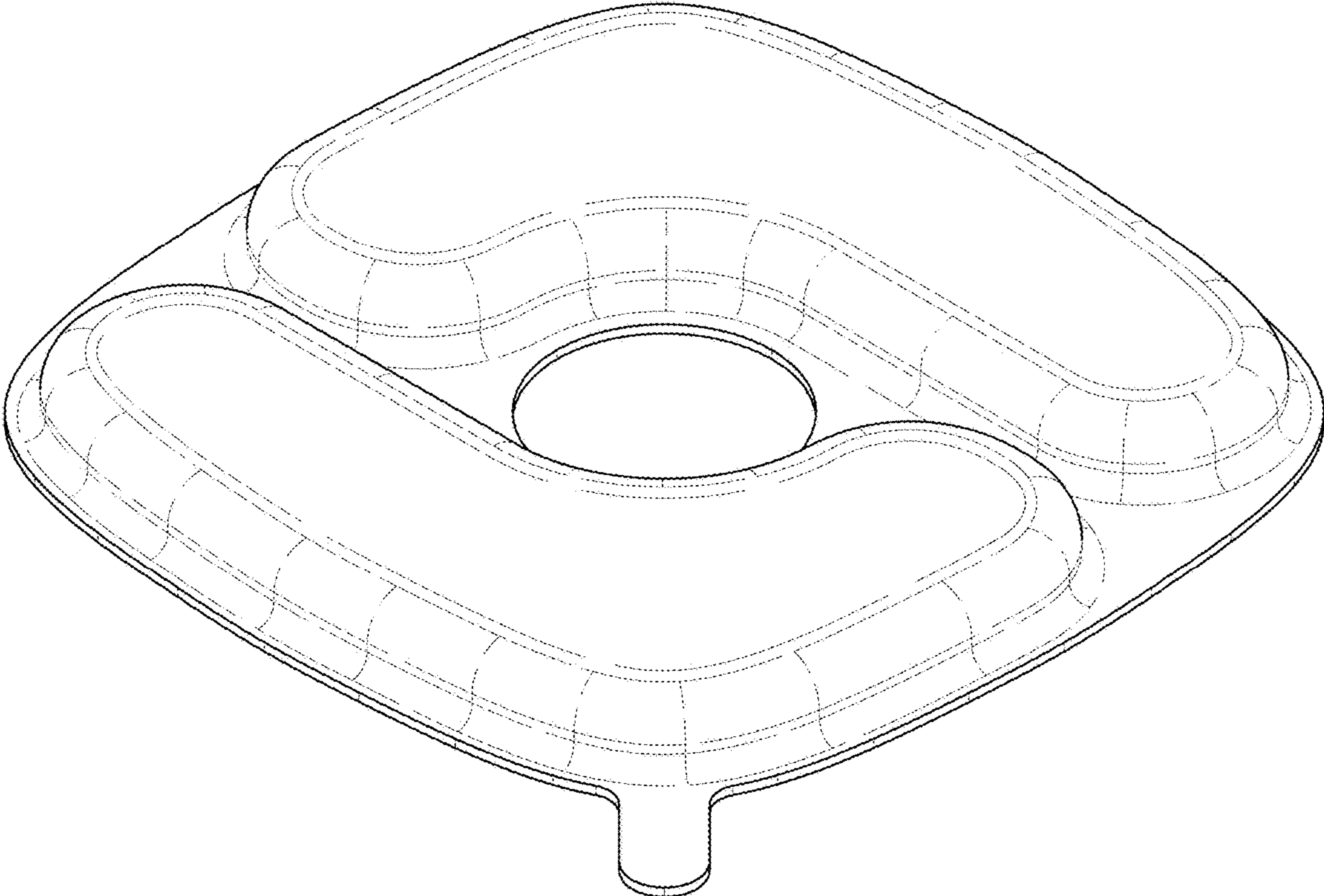


Fig.2

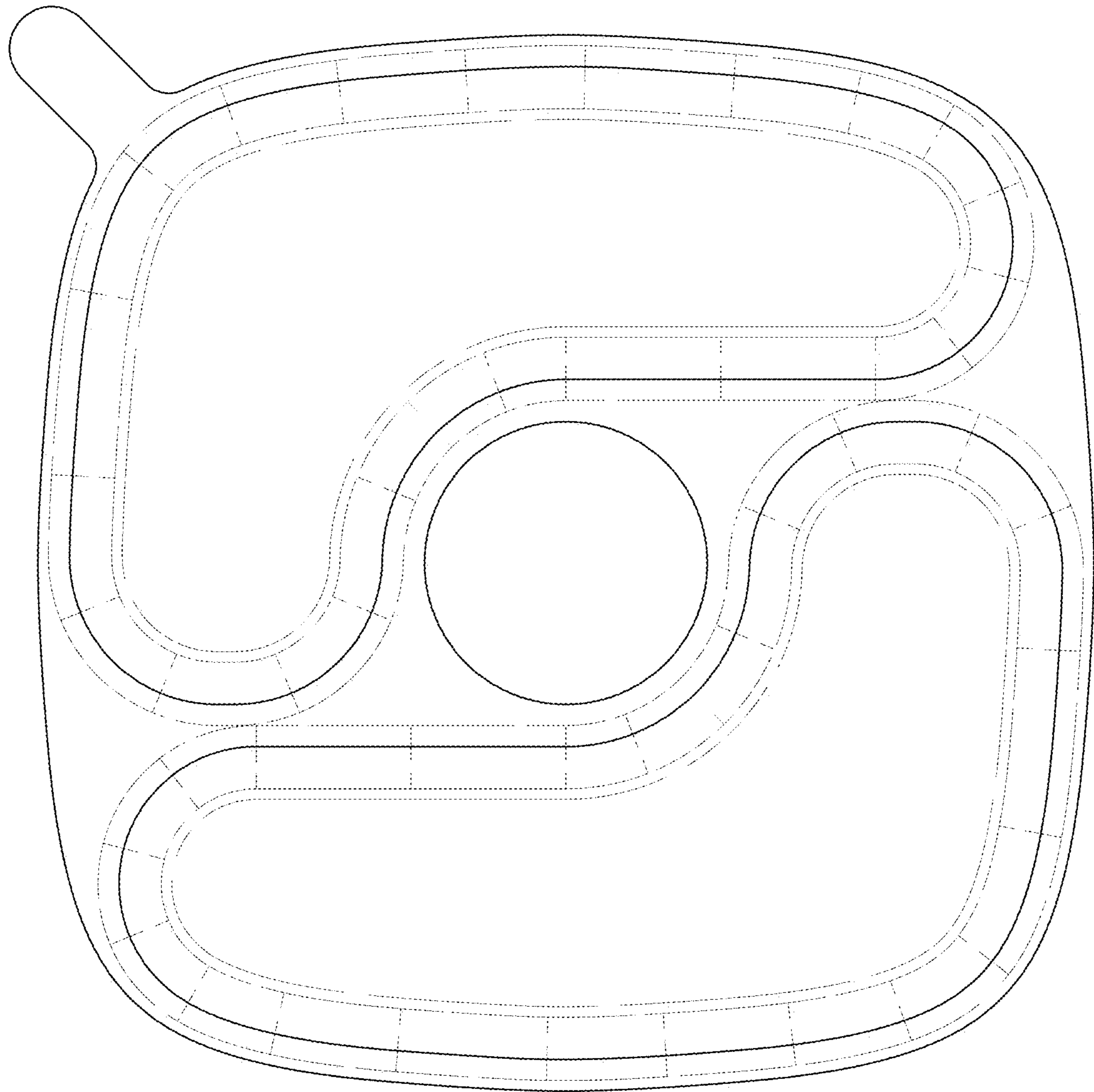


Fig.3

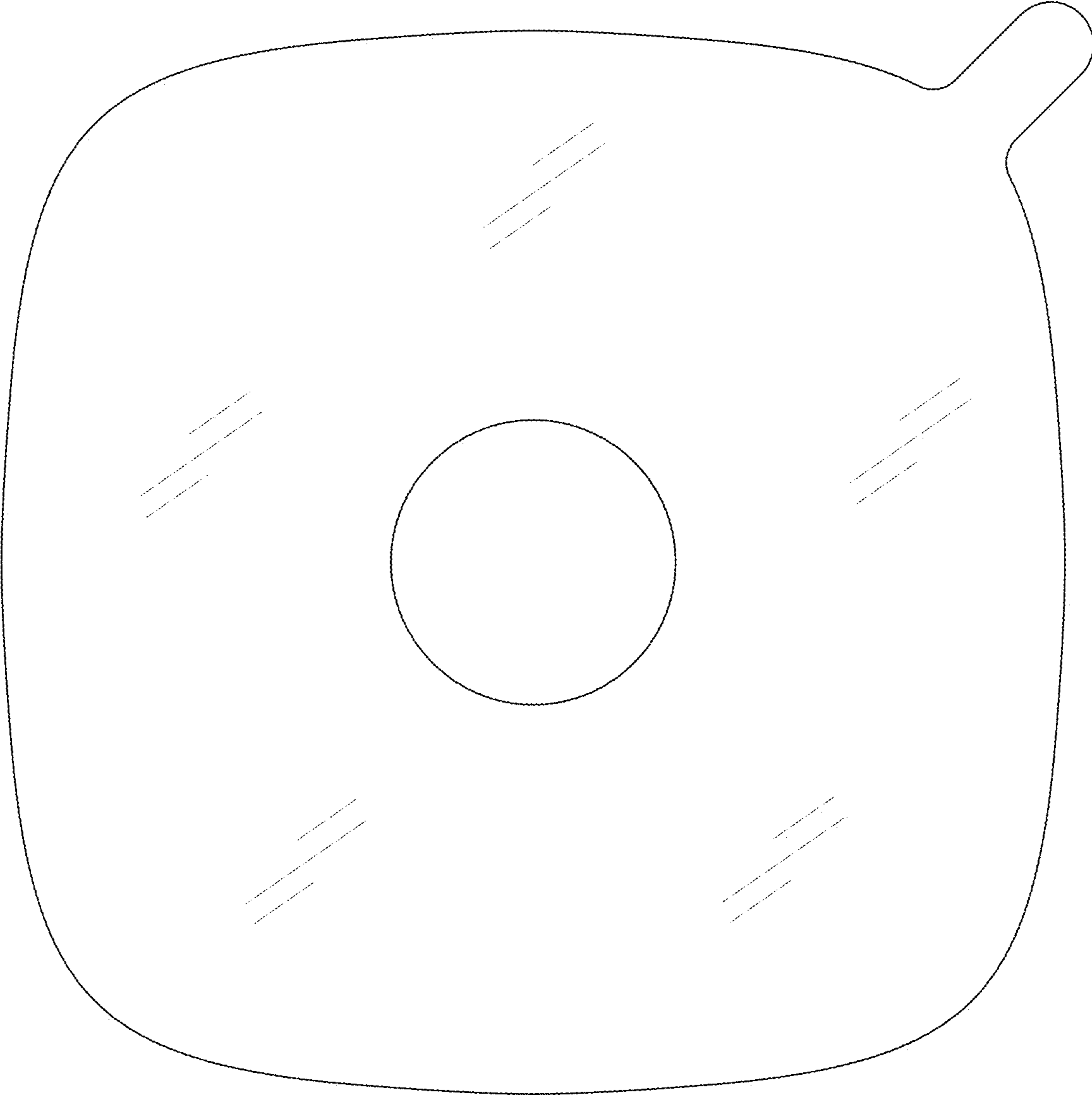


Fig.4

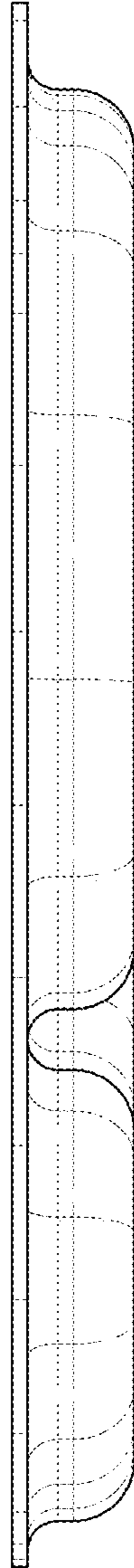


Fig.5

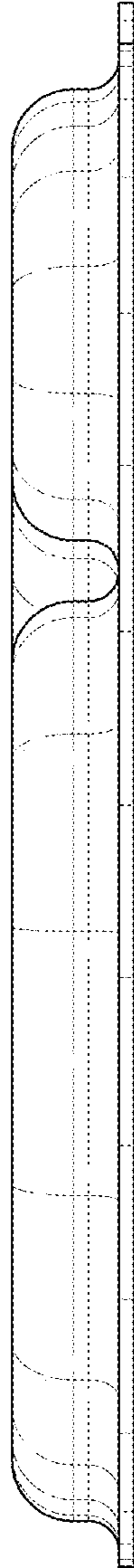


Fig.6

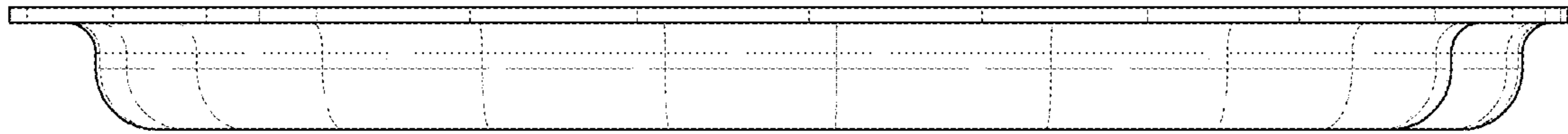


Fig.7

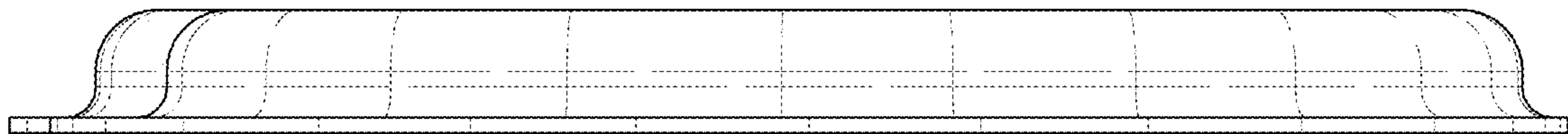


Fig.8