



US00D988460S

(12) **United States Design Patent**  
**Wong**

(10) **Patent No.:** **US D988,460 S**

(45) **Date of Patent:** **\*\* Jun. 6, 2023**

- (54) **AMMUNITION SIDE SADDLE**
- (71) Applicant: **Hurricane Butterfly Holdings, Inc.**,  
Tukwila, WA (US)
- (72) Inventor: **Jason Wong**, Tukwila, WA (US)
- (73) Assignee: **HURRICANE BUTTERFLY HOLDINGS, INC.**, Tukwila, WA (US)
- (\*\*) Term: **15 Years**
- (21) Appl. No.: **29/726,863**
- (22) Filed: **Mar. 6, 2020**
- (51) **LOC (14) Cl.** ..... **22-01**
- (52) **U.S. Cl.**  
USPC ..... **D22/108**
- (58) **Field of Classification Search**  
USPC ..... D3/222, 224, 149, 150; D8/394–396;  
D22/108, 109, 199  
CPC ..... A45F 5/021; F42B 39/02; F42B 39/082;  
F42B 39/085; F42B 39/087; F42B 39/10;  
F42B 39/002; F42B 39/26; F42B 3/02;  
F42B 39/08; F41H 11/14  
See application file for complete search history.

(56) **References Cited**

**U.S. PATENT DOCUMENTS**

- 3,190,514 A \* 6/1965 Spilman ..... F42B 39/02  
224/616
- D453,095 S \* 1/2002 Bailey ..... D7/620
- D670,865 S \* 11/2012 Cooper ..... D28/38
- D707,397 S \* 6/2014 Cooper ..... D28/38
- 9,568,293 B1 \* 2/2017 Palazzolo ..... F42B 39/26
- 9,651,347 B2 \* 5/2017 Rodriguez ..... A45F 5/021
- D791,551 S \* 7/2017 Gaffney ..... D7/620
- 9,733,053 B2 \* 8/2017 Olroyd ..... F42B 39/02
- D825,282 S \* 8/2018 Marshall ..... D7/620
- D826,001 S \* 8/2018 Marshall ..... D7/620
- D893,857 S \* 8/2020 Ricard ..... D3/201

- D945,150 S \* 3/2022 Silva ..... D3/222
- 2001/0013568 A1 \* 8/2001 Berenguer ..... A45F 5/02  
248/311.2
- 2003/0084956 A1 \* 5/2003 Tsengas ..... A01K 7/00  
141/2

(Continued)

**OTHER PUBLICATIONS**

TRMR Kydex Holster 40MM Carrier, Online Product Page. Earliest Publication Date: Aug. 22, 2017. Date Accessed: Aug. 23, 2022. Accessed on the Internet URL: <https://www.kydexholster.nl/en/trmr-carrier.html> (Year: 2022).\*

(Continued)

*Primary Examiner* — S. Bryan Reinholdt, Jr.

*Assistant Examiner* — Kaitlan N Oliver

(74) *Attorney, Agent, or Firm* — Thomas Horstemeyer, LLP

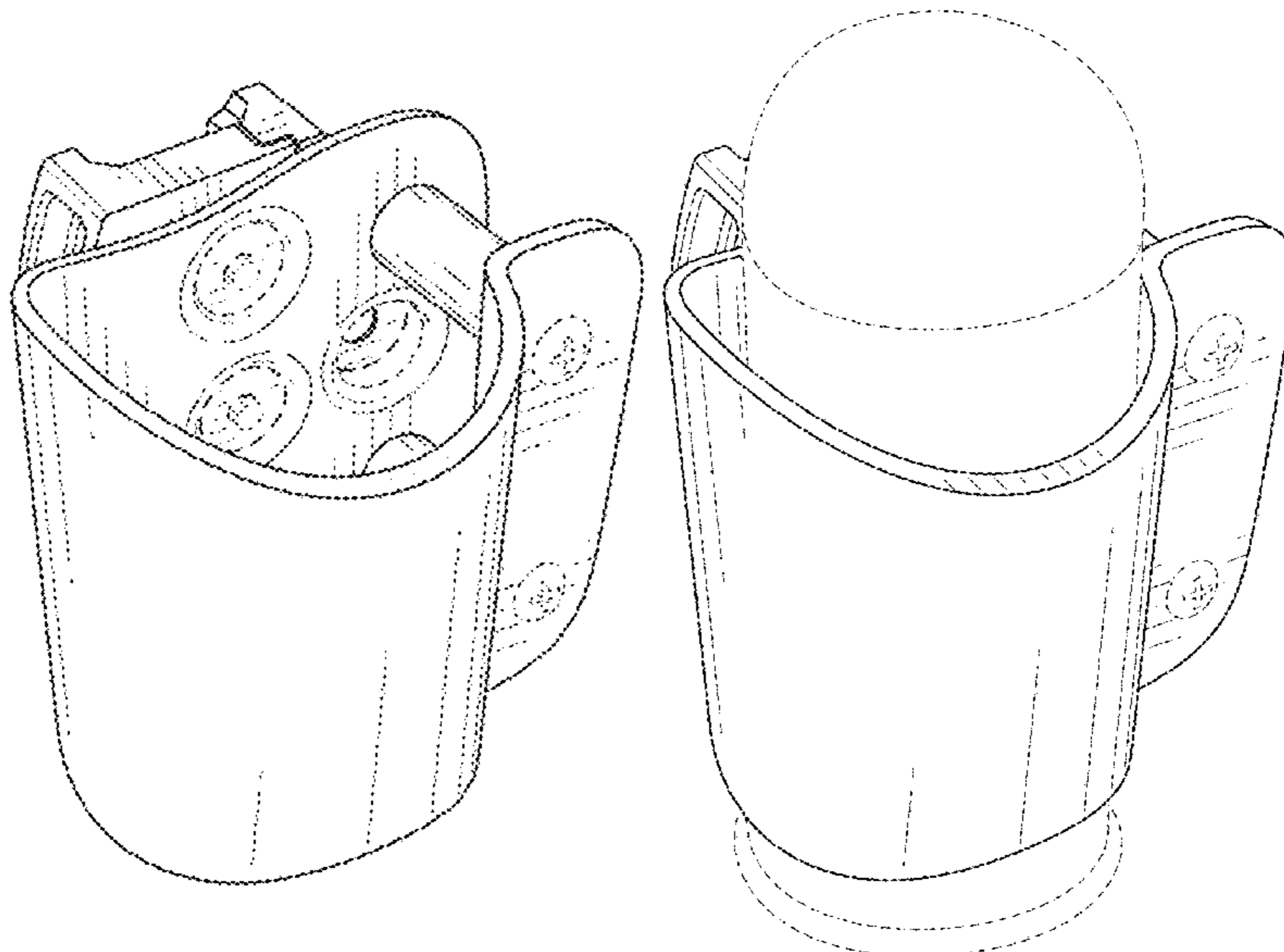
(57) **CLAIM**

The ornamental design for an ammunition side saddle, as shown and described.

**DESCRIPTION**

FIG. 1 is a front perspective view of an ammunition side saddle showing the new design; FIG. 2 is a front view thereof; FIG. 3 is a rear view thereof; FIG. 4 is a side view thereof; FIG. 5 is a side view thereof opposite that of FIG. 4; FIG. 6 is a top view thereof; FIG. 7 is a bottom view thereof; and, FIG. 8 is a perspective view thereof showing the ammunition side saddle in a use configuration with environment. The broken lines depict portions of the ammunition side saddle that form no part of the claimed design. The broken lines in FIG. 8 depict environment of one round of ammunition that forms no part of the claimed design.

**1 Claim, 5 Drawing Sheets**



(56)

**References Cited**

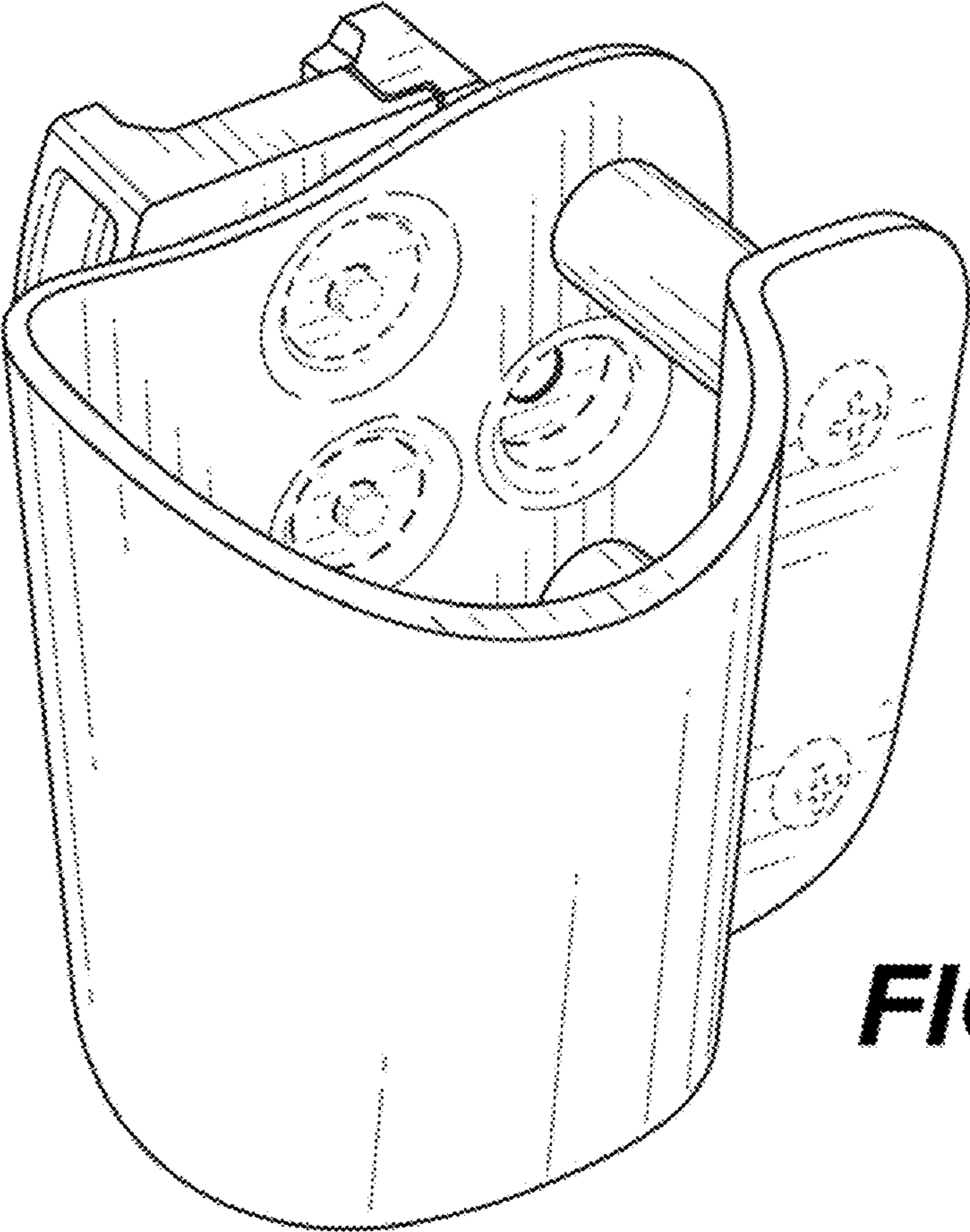
U.S. PATENT DOCUMENTS

2004/0089688 A1\* 5/2004 Perez ..... B25H 3/00  
224/242  
2012/0228293 A1\* 9/2012 Combs ..... A45F 5/02  
220/660  
2014/0124387 A1\* 5/2014 Iannello ..... F42B 39/26  
206/3  
2019/0160860 A1\* 5/2019 Clarke ..... A45F 5/021  
2022/0000250 A1\* 1/2022 Bolt ..... A45F 5/00

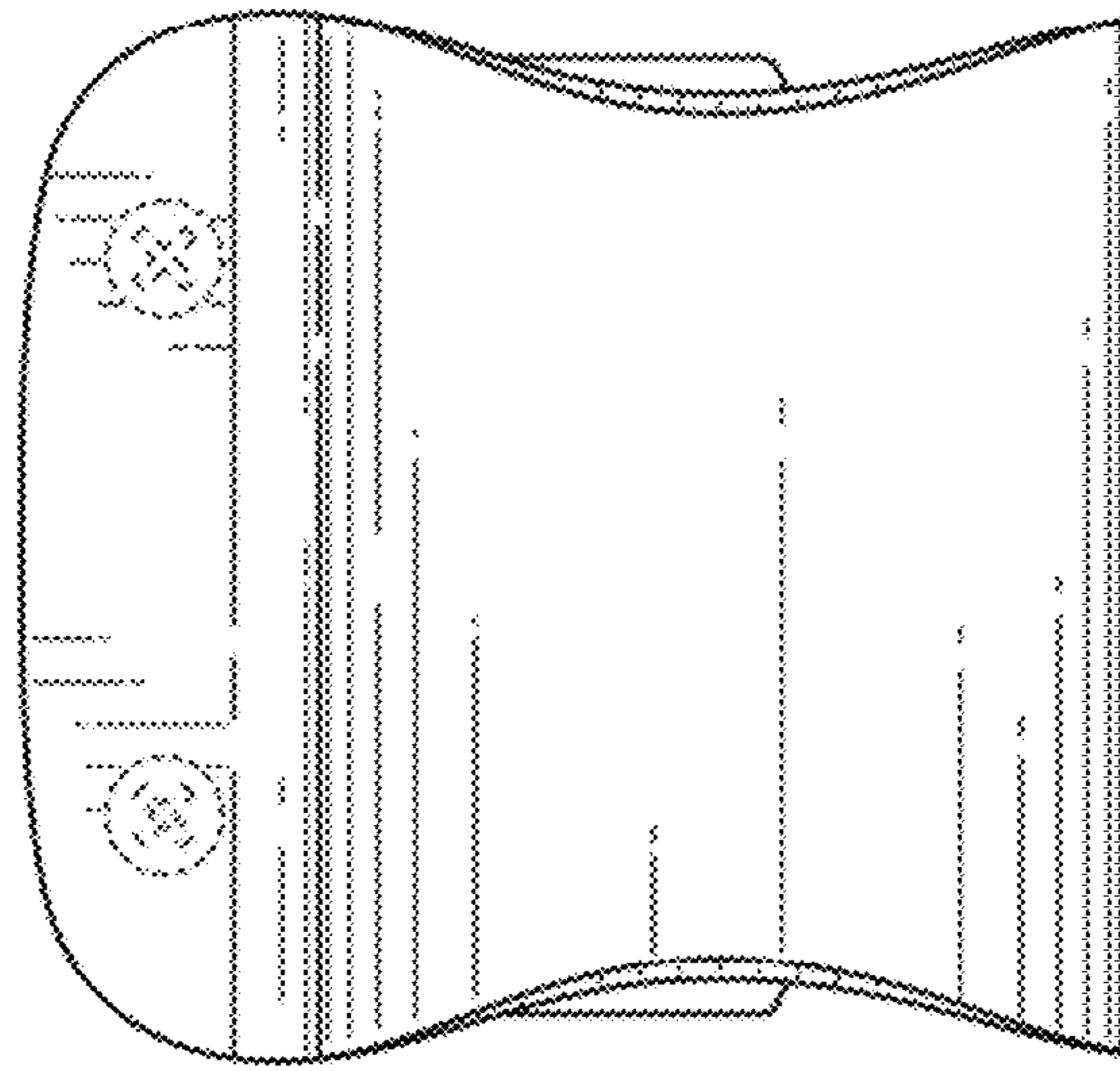
OTHER PUBLICATIONS

TRB Holsters, Online Product Page. Earliest Publication Date: Aug. 8, 2022. Date Accessed: Aug. 23, 2022. Accessed on the Internet URL: <https://en.trb-holsters.com/produit-606-poches-kydex-pour-2-flashbang-ou-40mm.html> (Year: 2022).\*

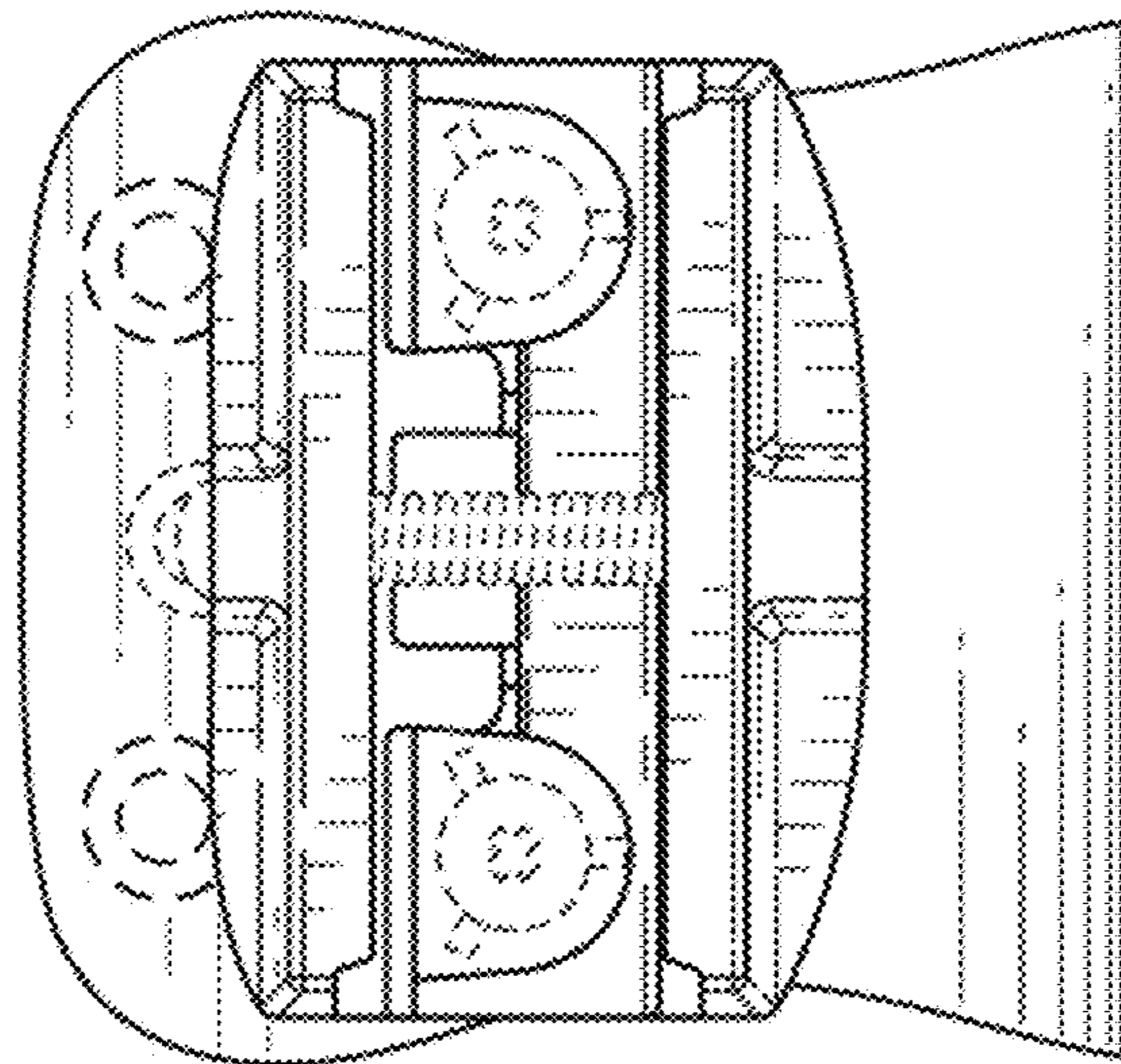
\* cited by examiner



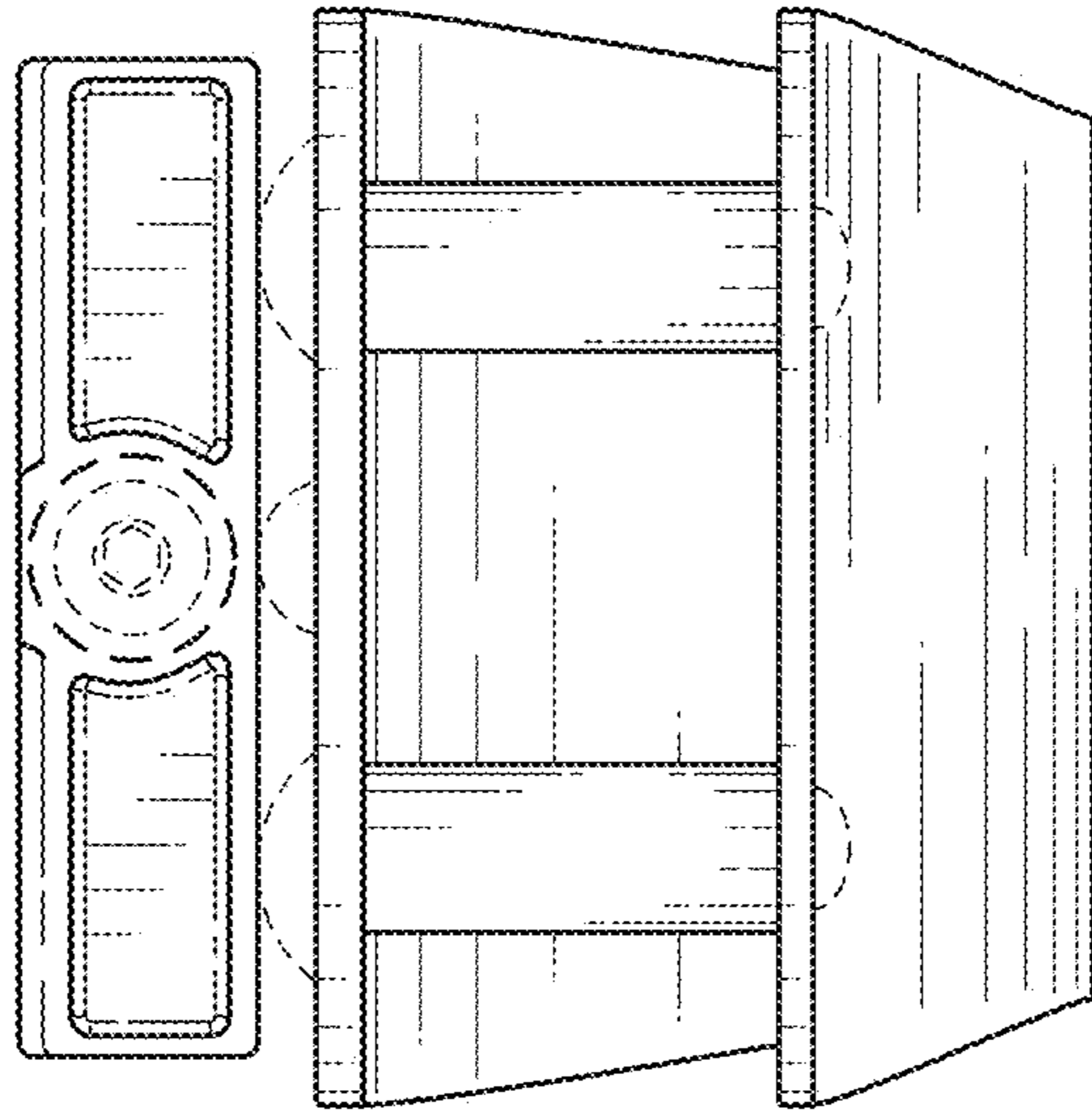
**FIG. 1**



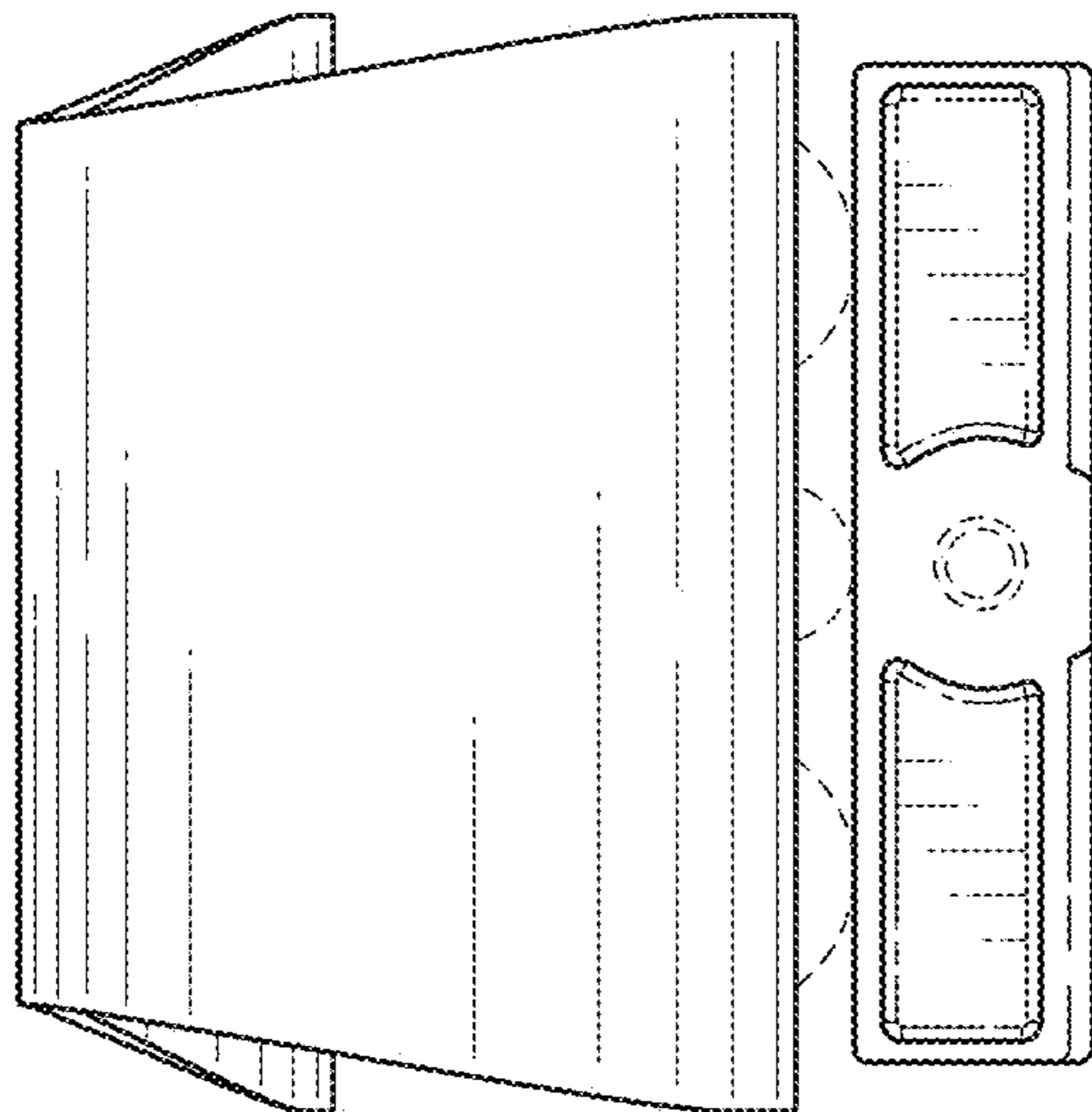
**FIG. 2**



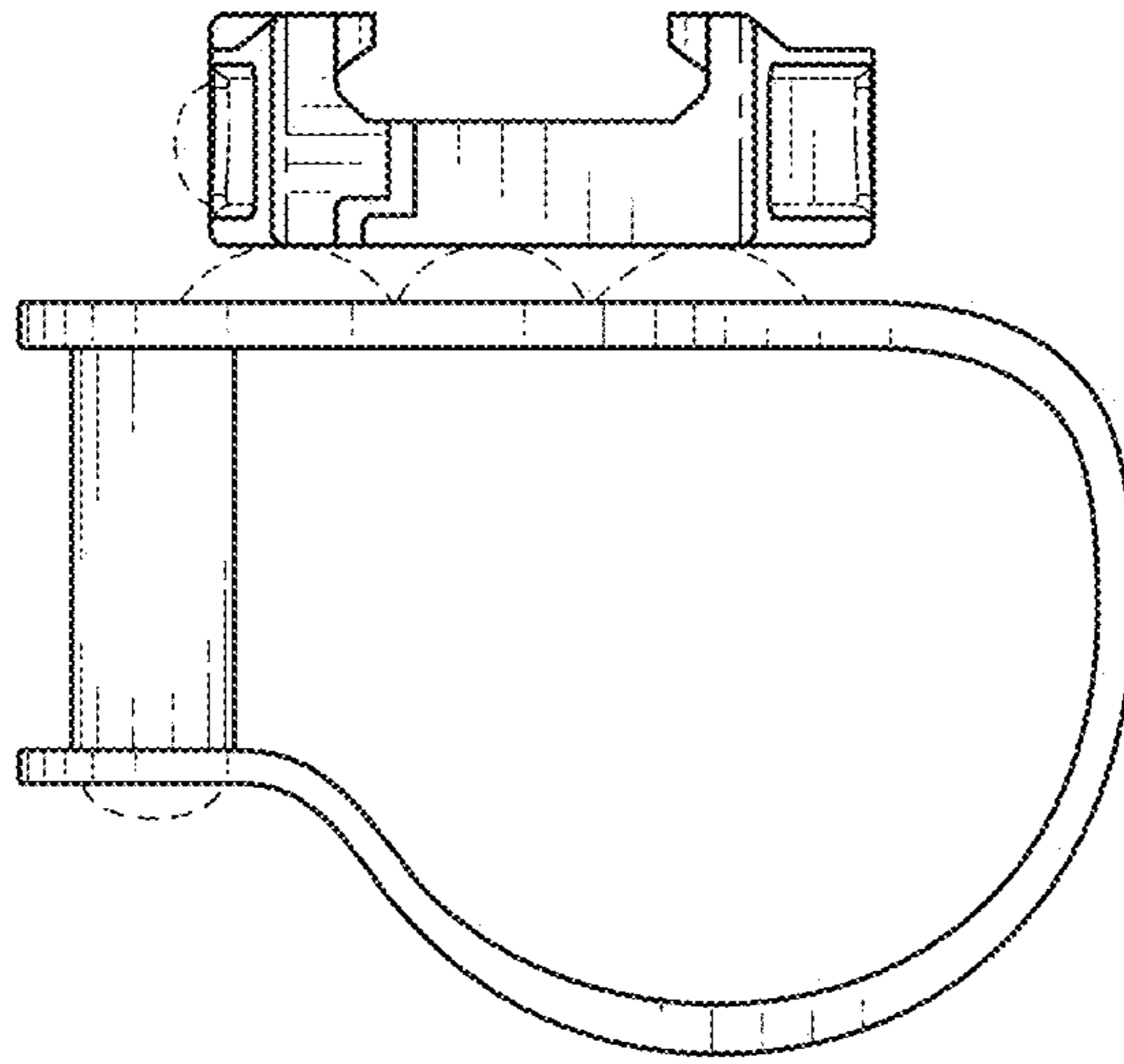
**FIG. 3**



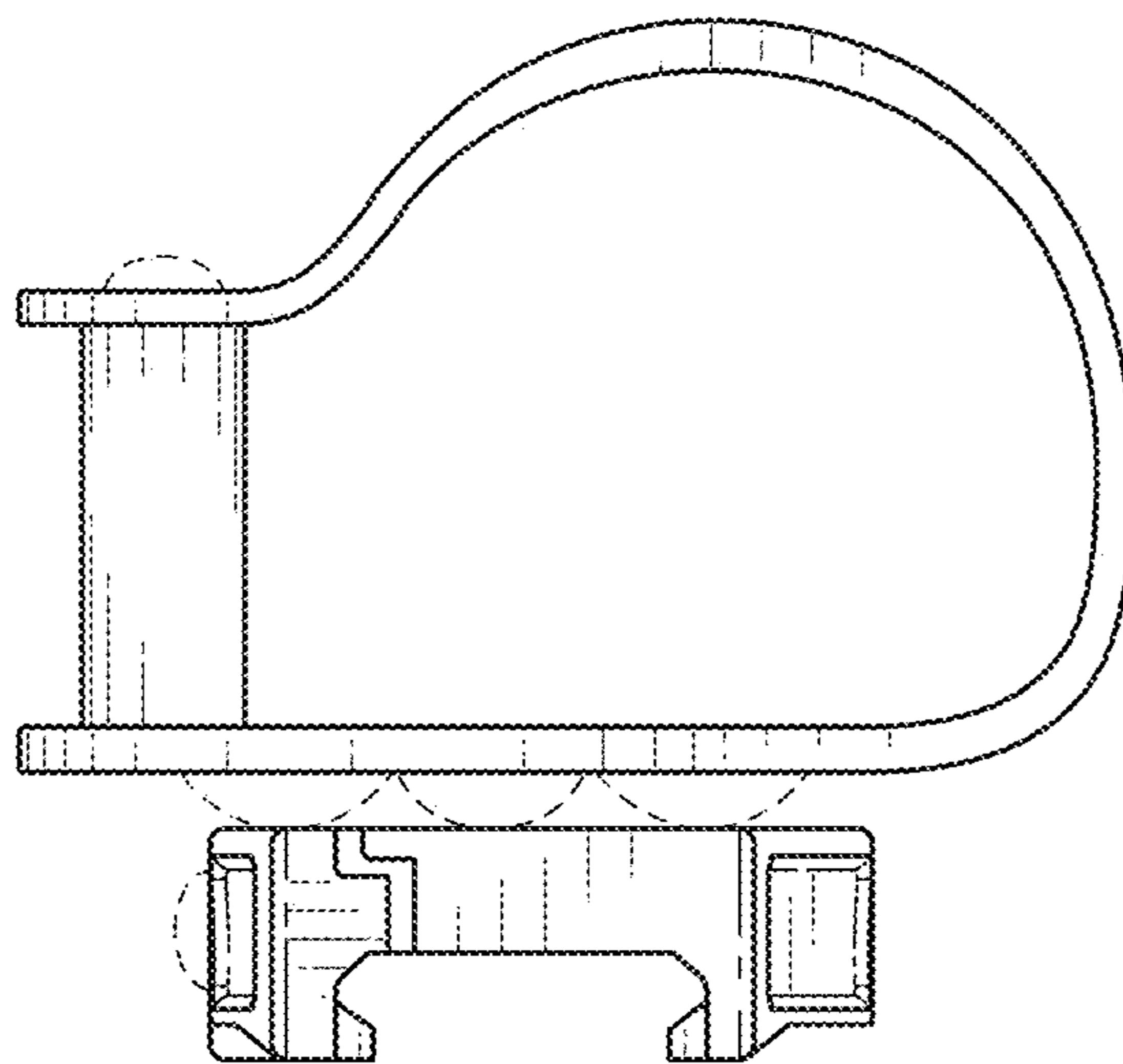
**FIG. 4**



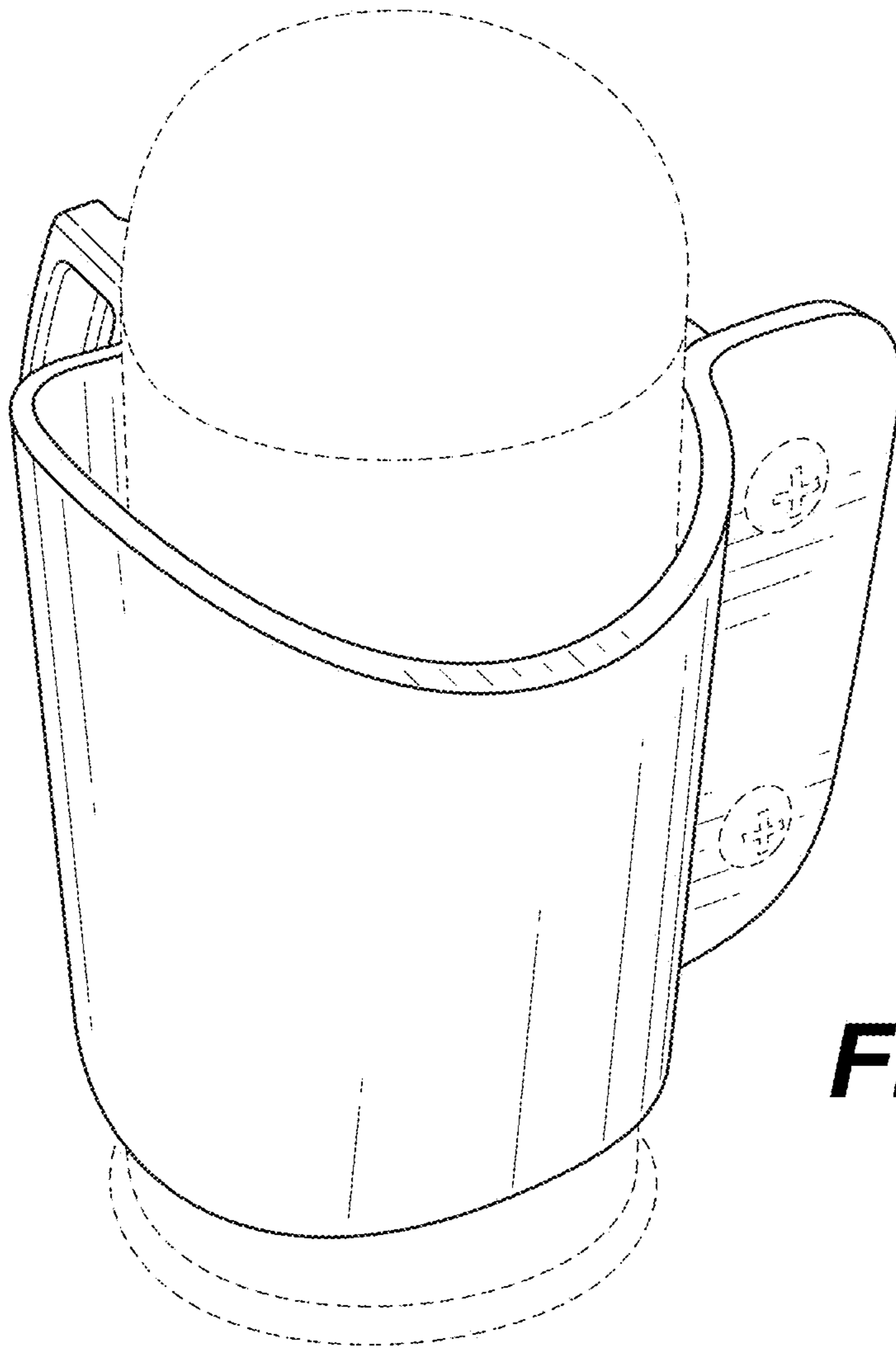
**FIG. 5**



**FIG. 6**



**FIG. 7**



**FIG. 8**