



US00D988459S

(12) **United States Design Patent**
Wilson et al.

(10) **Patent No.:** **US D988,459 S**
(45) **Date of Patent:** **** Jun. 6, 2023**

(54) **AR UPPER RECEIVER CLEANING TOOL**

(71) Applicants: **Billy J. Wilson**, Berryville, AR (US);
Aaron Neal Trout, Fayetteville, AR (US)

(72) Inventors: **Billy J. Wilson**, Berryville, AR (US);
Aaron Neal Trout, Fayetteville, AR (US)

(**) Term: **15 Years**

(21) Appl. No.: **29/723,528**

(22) Filed: **Feb. 7, 2020**

(51) **LOC (14) Cl.** **22-01**

(52) **U.S. Cl.**
USPC **D22/108**

(58) **Field of Classification Search**
USPC D22/108; D21/572-575
CPC F41A 9/70; F41A 9/65; F41A 9/71; F41A 9/68; F41A 9/69; F41A 11/02; F41A 9/61; F41A 9/00; F41A 9/17; F41A 9/23; F41A 9/34; F41A 9/84
See application file for complete search history.

(56) **References Cited**

U.S. PATENT DOCUMENTS

5,651,207 A * 7/1997 Knight F41A 29/00 89/31
D476,874 S * 7/2003 Kim D3/274
D684,660 S * 6/2013 Rogers D22/199

10,830,552 B1 * 11/2020 Pineda F41A 29/02
11,549,775 B1 * 1/2023 Chen F41A 29/02
2018/0257118 A1 * 9/2018 Pineda F41A 29/02

FOREIGN PATENT DOCUMENTS

CN 109579611 A * 4/2019 F41A 29/00
KR 2019035344 A * 4/2019 B08B 9/045

* cited by examiner

Primary Examiner — Michael A. Pratt

(74) *Attorney, Agent, or Firm* — Keisling & Pieper PLC;
David B. Pieper; Trent C. Keisling

(57) **CLAIM**

The ornamental design for an AR upper receiver cleaning tool, as shown and described.

DESCRIPTION

FIG. 1 is a perspective view taken generally from the front side of AR upper receiver cleaning tool showing my new design.

FIG. 2 is an elevational view taken from the front side thereof;

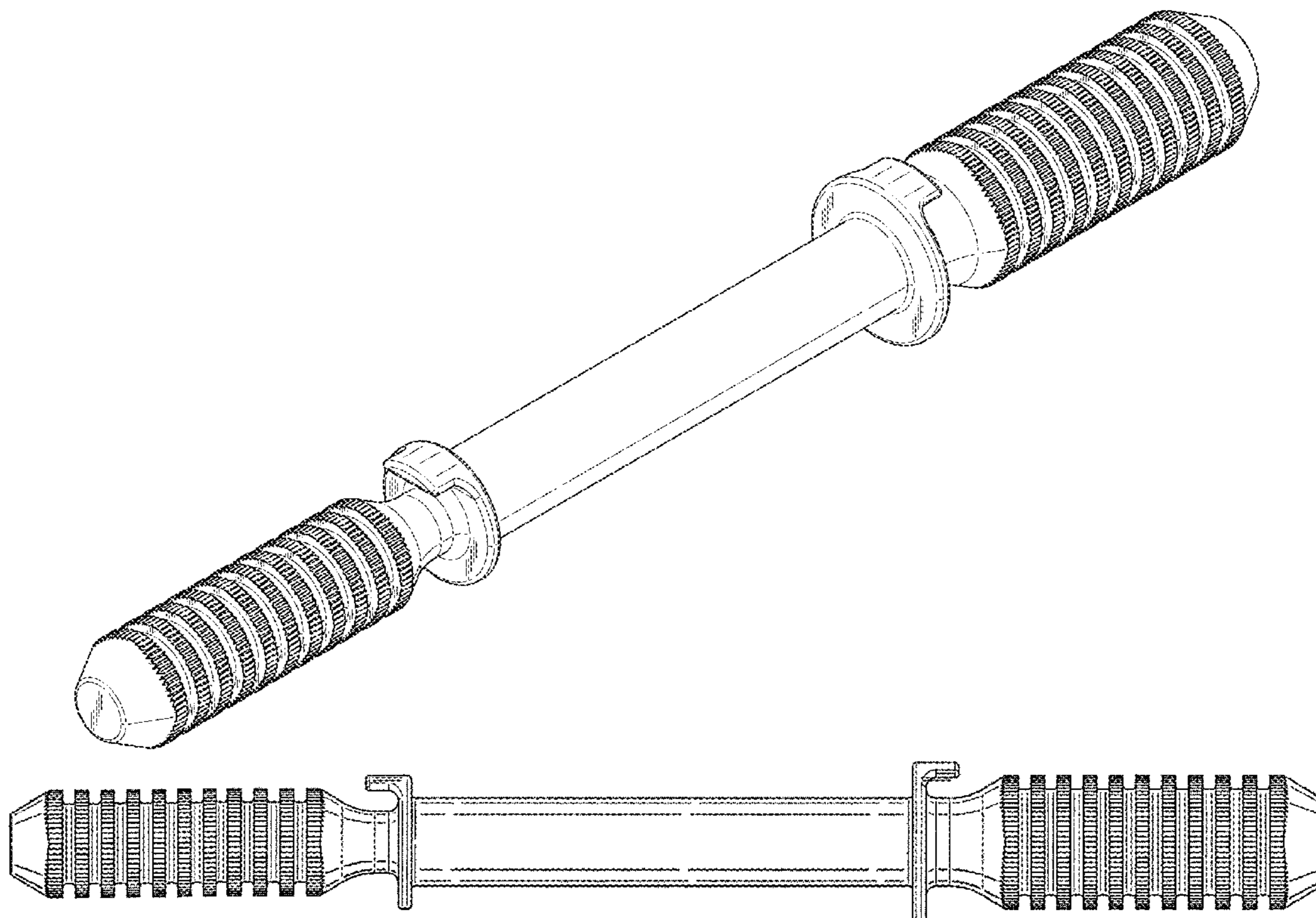
FIG. 3 is a top plan view taken thereof;

FIG. 4 is a bottom plan view taken thereof;

FIG. 5 is an enlarged side elevational view taken from the left side thereof; and,

FIG. 6 is an enlarged side elevational view taken from the right side thereof.

1 Claim, 3 Drawing Sheets



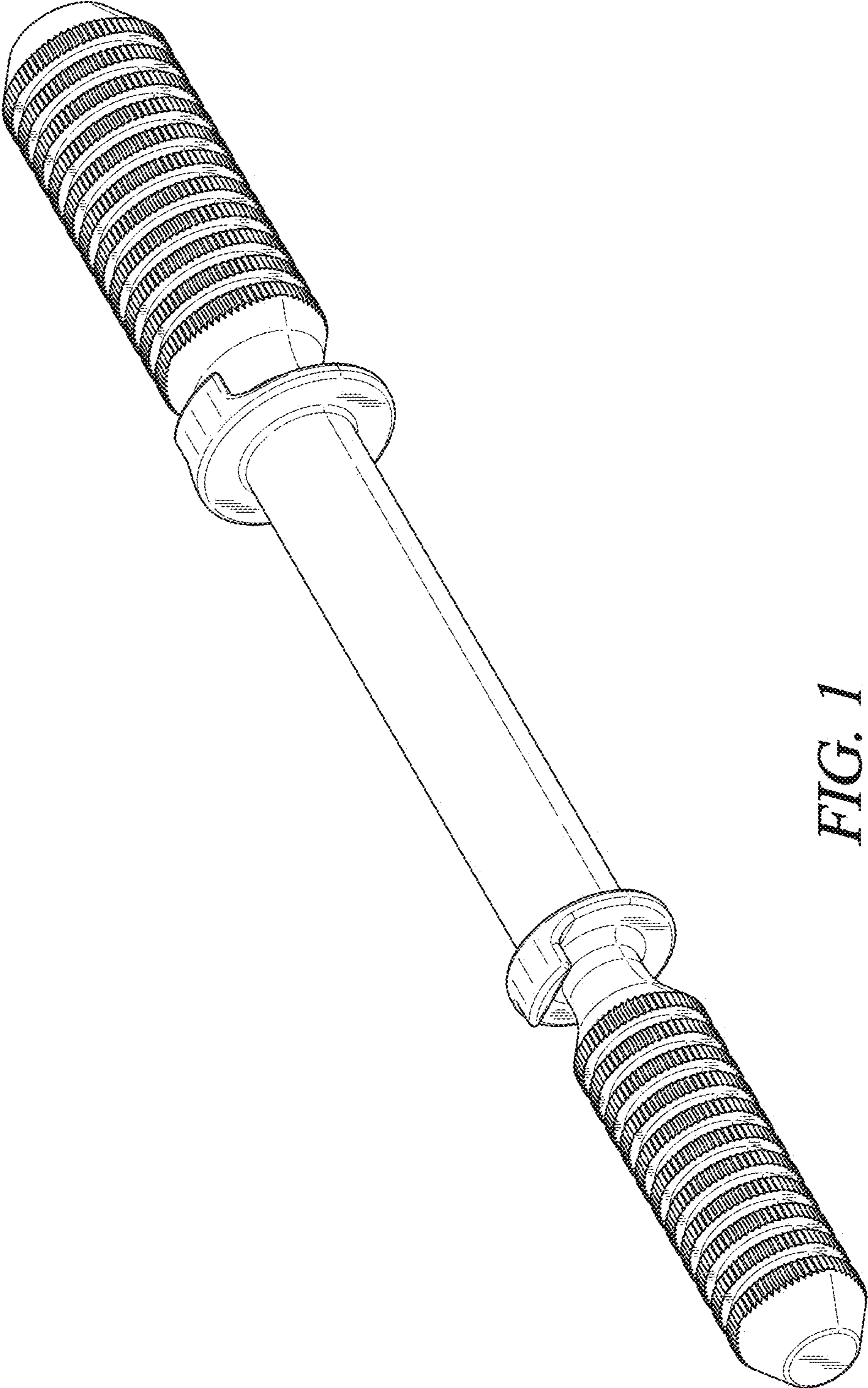


FIG. 1

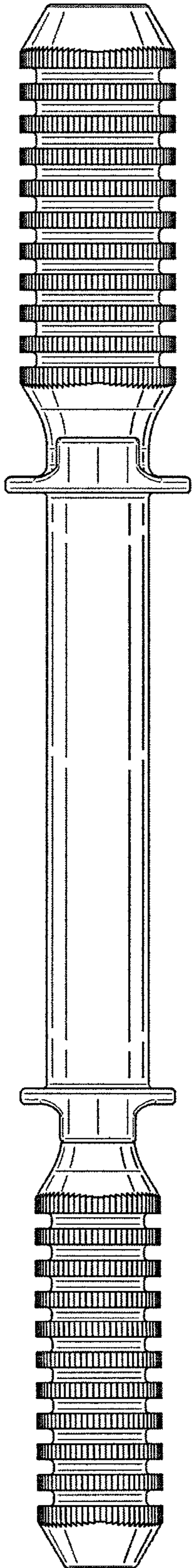


FIG. 3

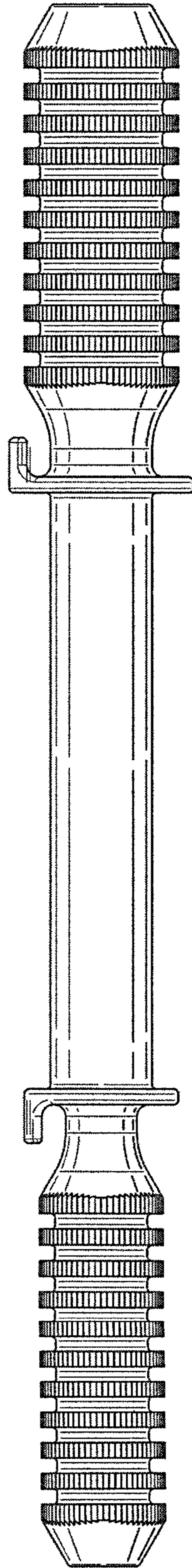


FIG. 2

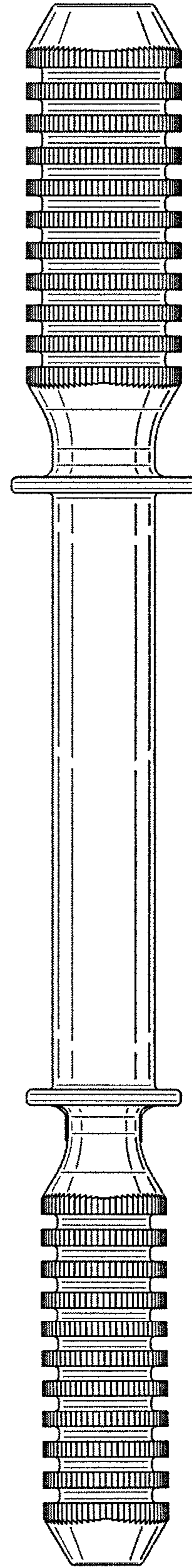


FIG. 4

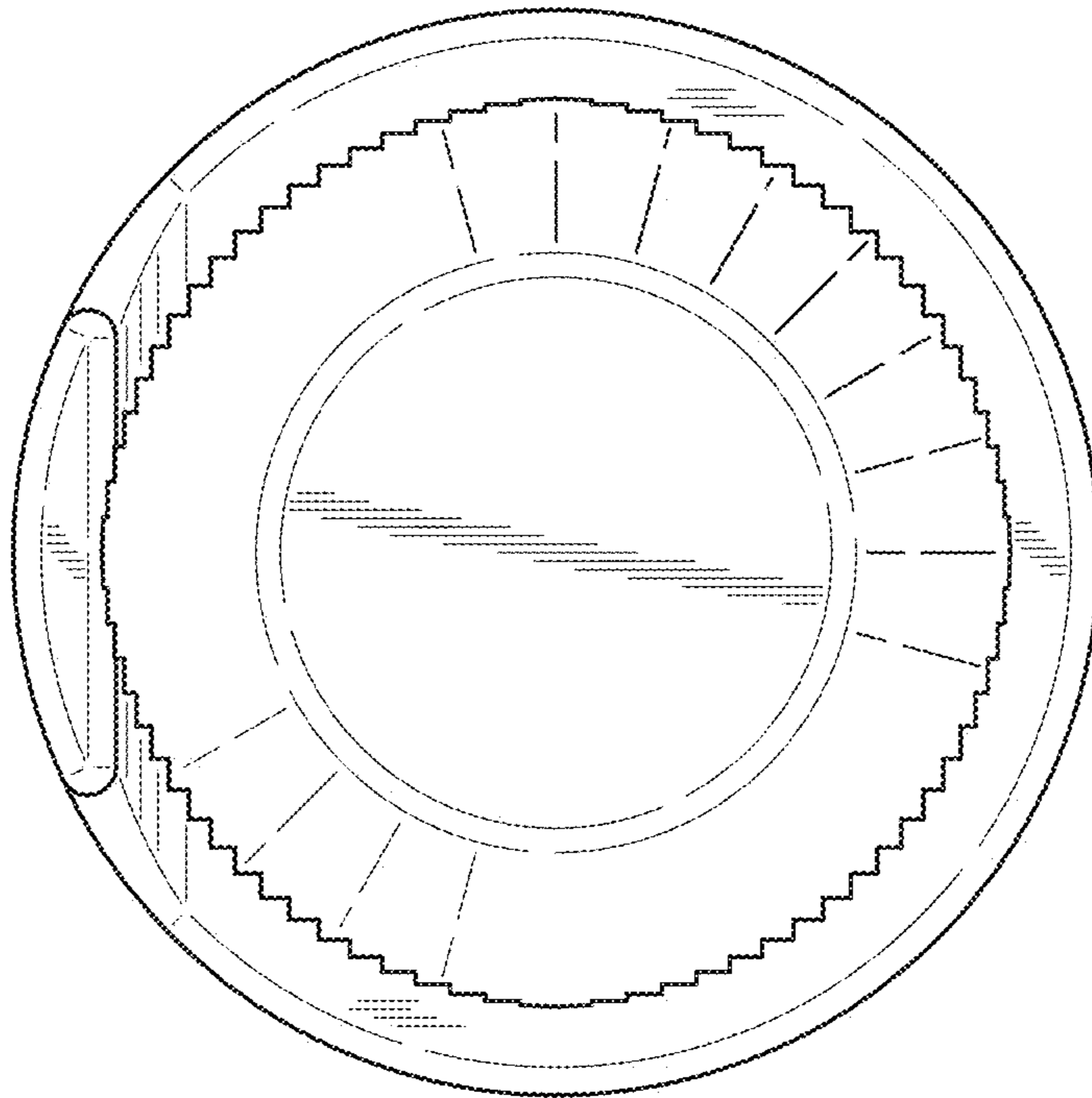


FIG. 6

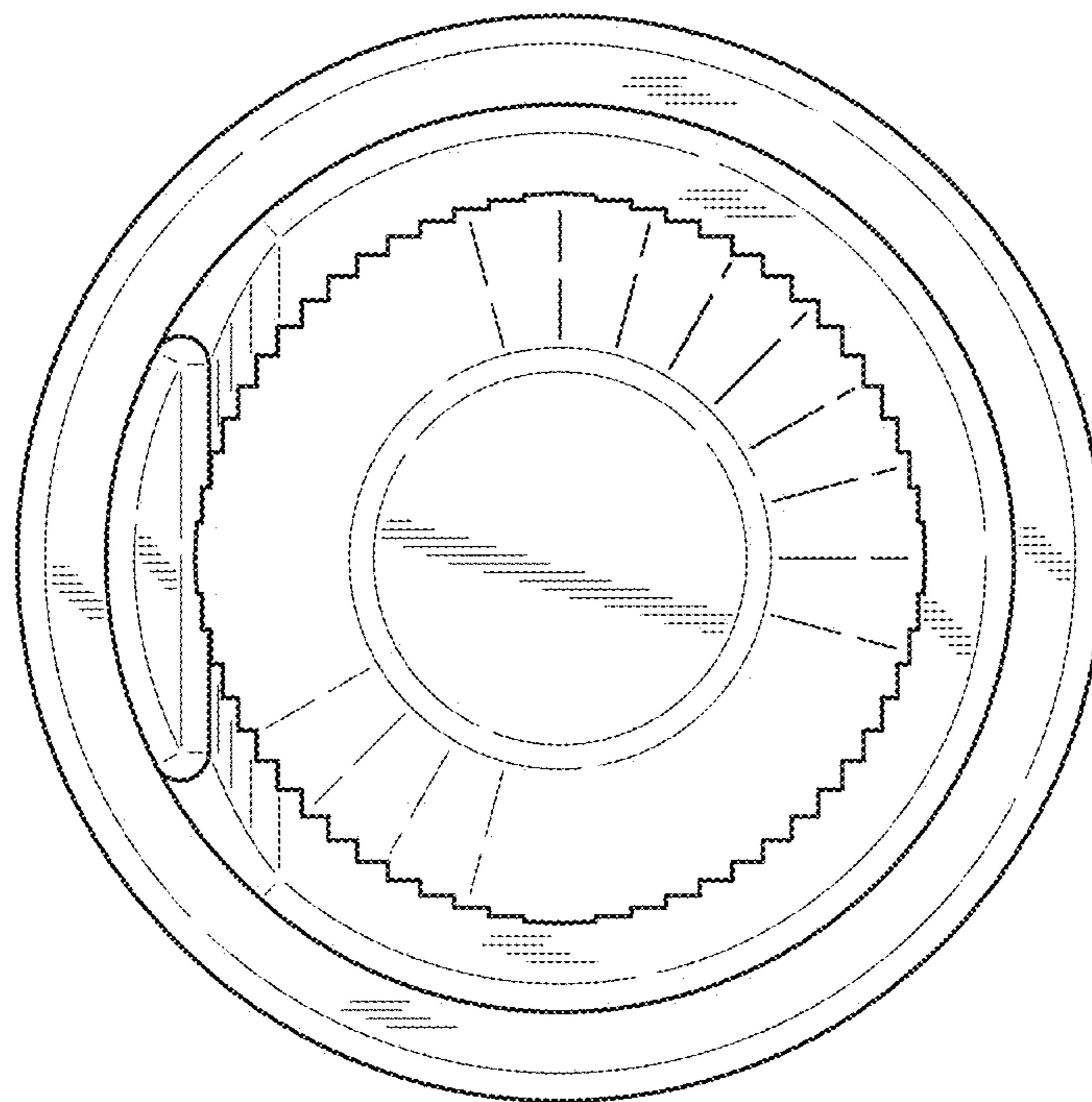


FIG. 5