



US00D988458S

(12) **United States Design Patent**
Kowalczyk, Jr. et al.

(10) **Patent No.:** **US D988,458 S**

(45) **Date of Patent:** **** Jun. 6, 2023**

(54) **AIRGUN MAGAZINE**

(71) Applicant: **Crosman Corporation**, Bloomfield, NY (US)

(72) Inventors: **John A. Kowalczyk, Jr.**, Fairport, NY (US); **Jeffrey D. Hanson**, Mendon, NY (US); **Kenneth A. Call**, Rush, NY (US)

(73) Assignee: **Crosman Corporation**, Bloomfield, NY (US)

(**) Term: **15 Years**

(21) Appl. No.: **29/721,681**

(22) Filed: **Jan. 22, 2020**

(51) **LOC (14) Cl.** **22-01**

(52) **U.S. Cl.**

USPC **D22/108**

(58) **Field of Classification Search**

USPC D22/108; D21/572-575

CPC F41A 9/70; F41A 9/65; F41A 9/71; F41A 9/68; F41A 9/69; F41A 11/02; F41A 9/61; F41A 9/00; F41A 9/17; F41A 9/23; F41A 9/34; F41A 9/84

See application file for complete search history.

(56) **References Cited**

U.S. PATENT DOCUMENTS

4,986,251 A * 1/1991 Lilley F41B 11/55
124/52
10,066,896 B2 * 9/2018 Zhu F41B 11/50

10,267,593 B2 * 4/2019 Lamboy F41B 11/54
11,002,508 B2 * 5/2021 Miller F41B 11/50
11,226,168 B2 * 1/2022 Kowalczyk, Jr. F41B 11/54
11,519,689 B2 * 12/2022 Chia F41B 11/646
2016/0231079 A1 * 8/2016 Allen F41B 11/54
2020/0263950 A1 * 8/2020 Call F41B 11/54
2022/0221245 A1 * 7/2022 Arnedo Vera F41B 11/54

* cited by examiner

Primary Examiner — Michael A. Pratt

(74) *Attorney, Agent, or Firm* — Lee & Hayes, P.C.

(57) **CLAIM**

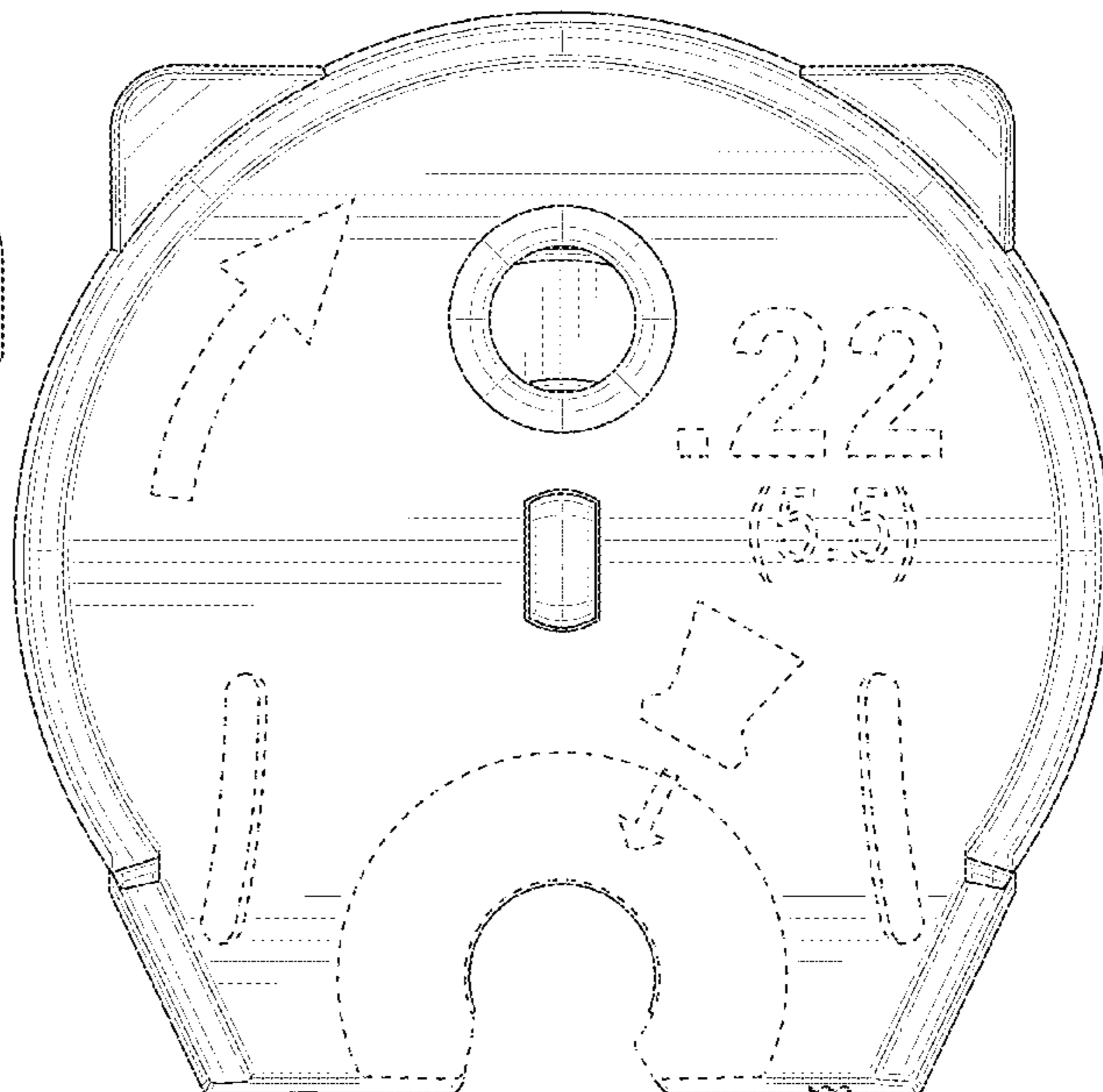
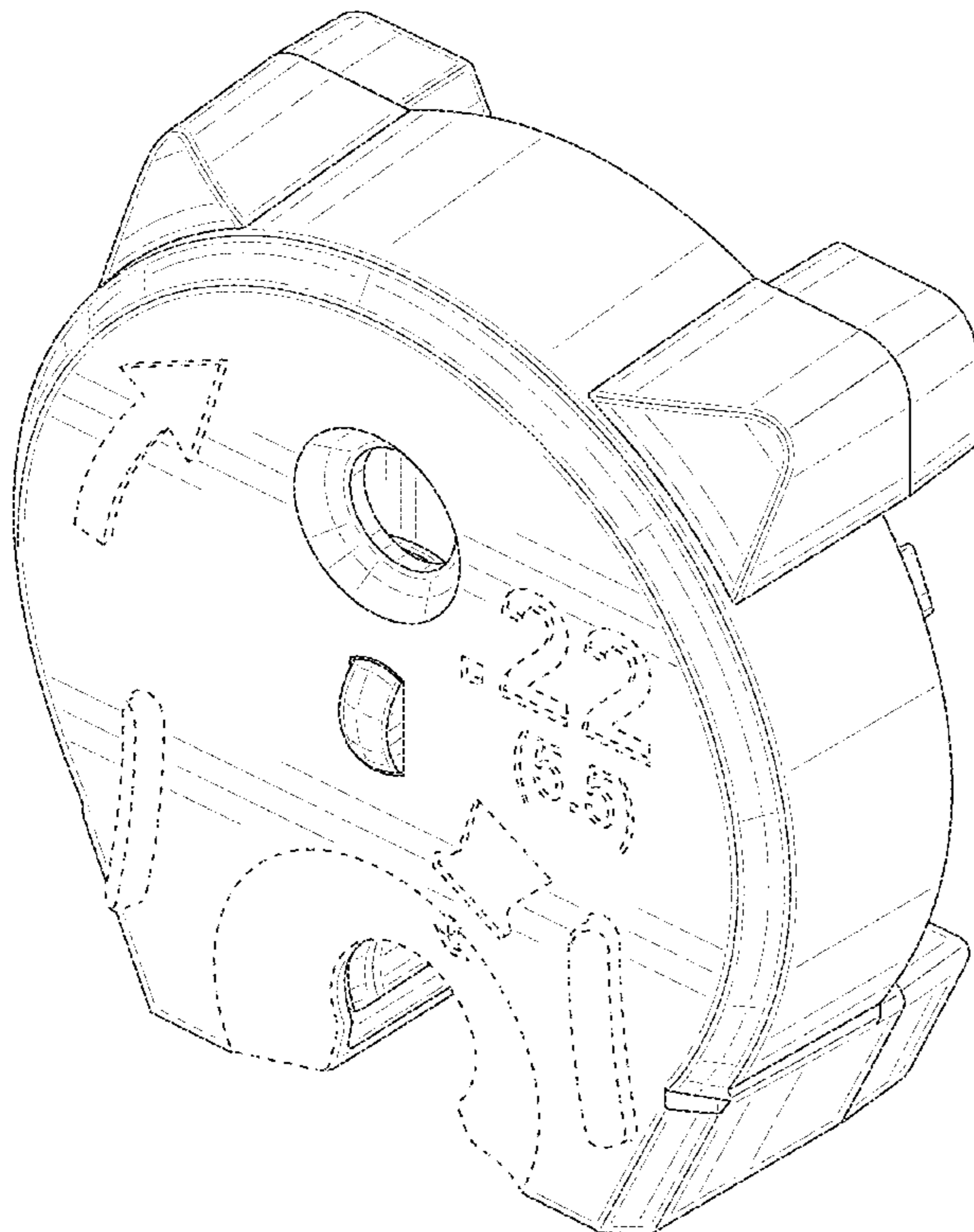
The ornamental design for an airgun magazine, as shown and described.

DESCRIPTION

FIG. 1 is a front perspective view of a first embodiment of an airgun magazine; FIG. 2 is a back perspective view thereof; FIG. 3 is a front view thereof; FIG. 4 is a back view thereof; FIG. 5 is a right-side view thereof; FIG. 6 is a left-side view thereof; FIG. 7 is a top view thereof; and, FIG. 8 is a bottom view thereof.

The dashed broken lines depict portions of the airgun magazine which form no part of the claimed design. The dot-dashed broken lines represent boundaries of the claimed an airgun magazine and form no part of the claimed design.

1 Claim, 8 Drawing Sheets



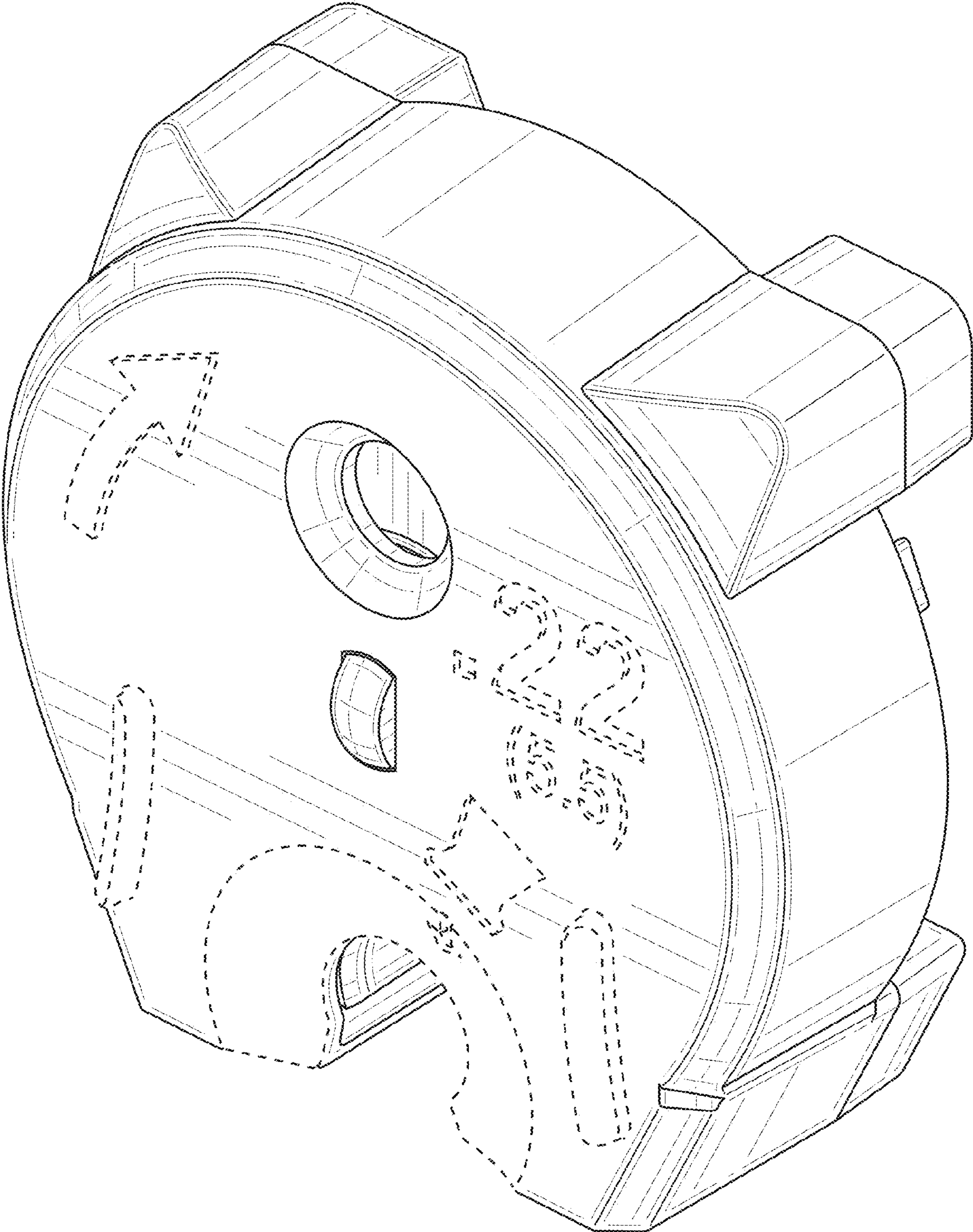


FIG. 1

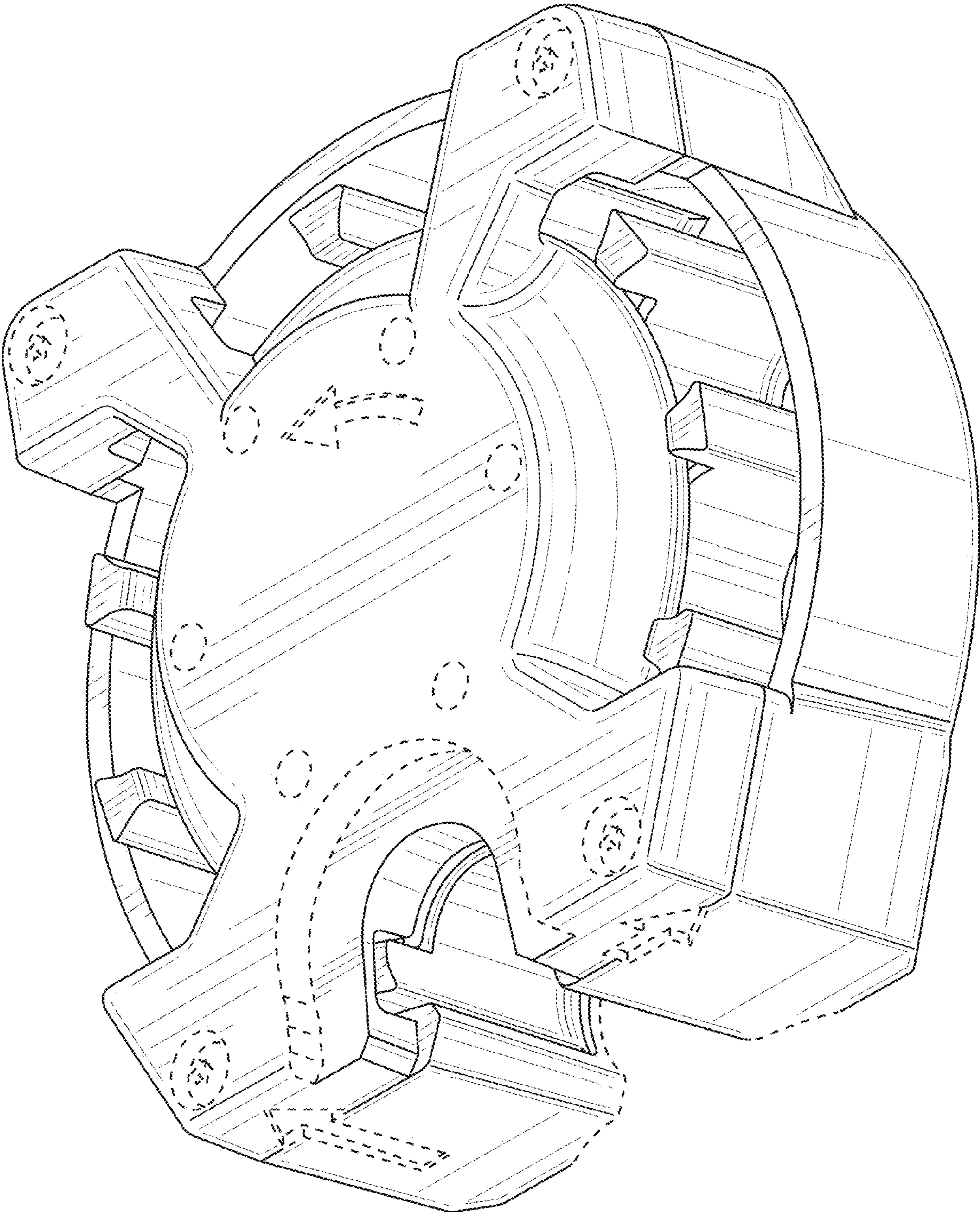


FIG. 2

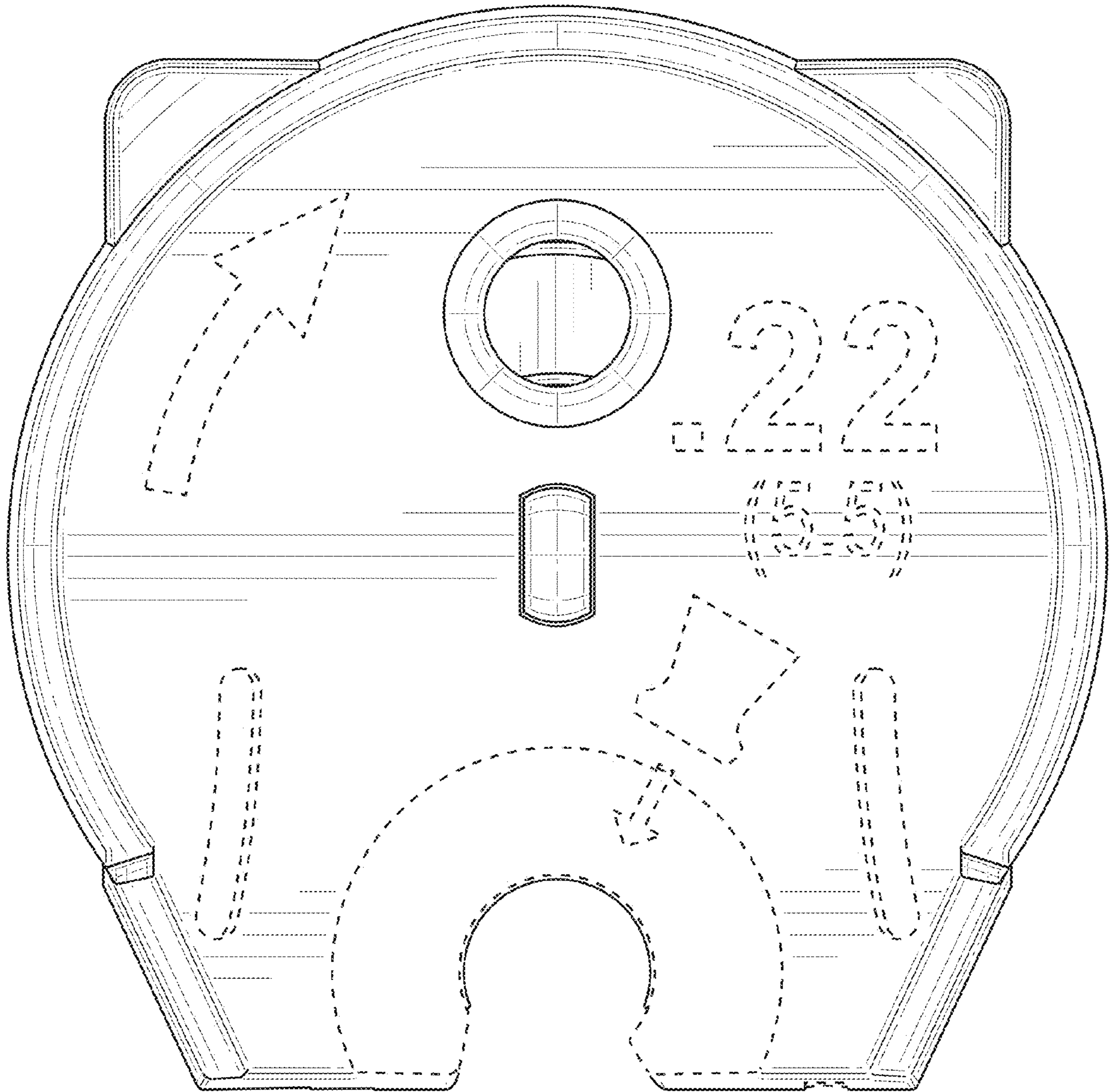


FIG. 3

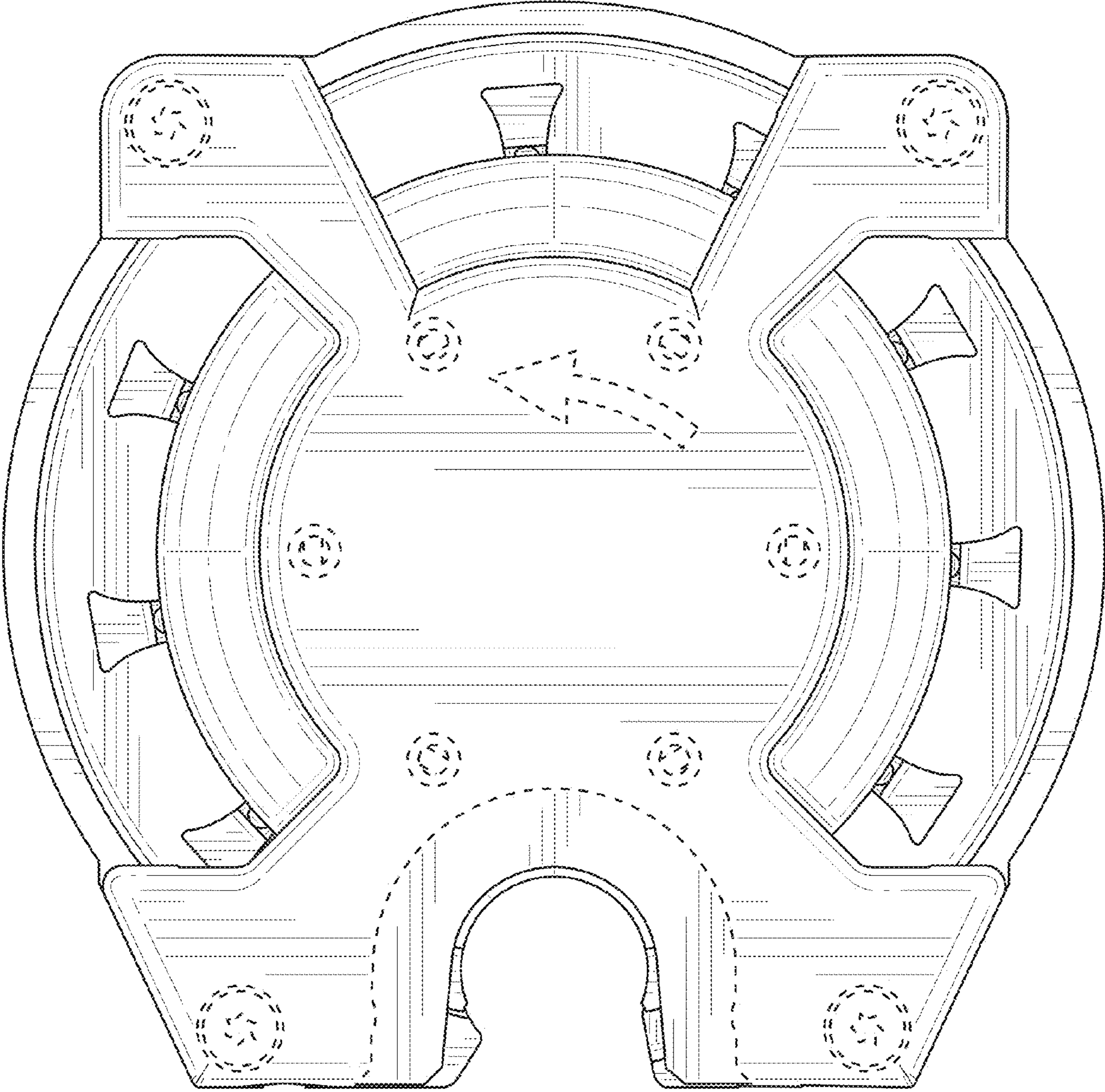


FIG. 4

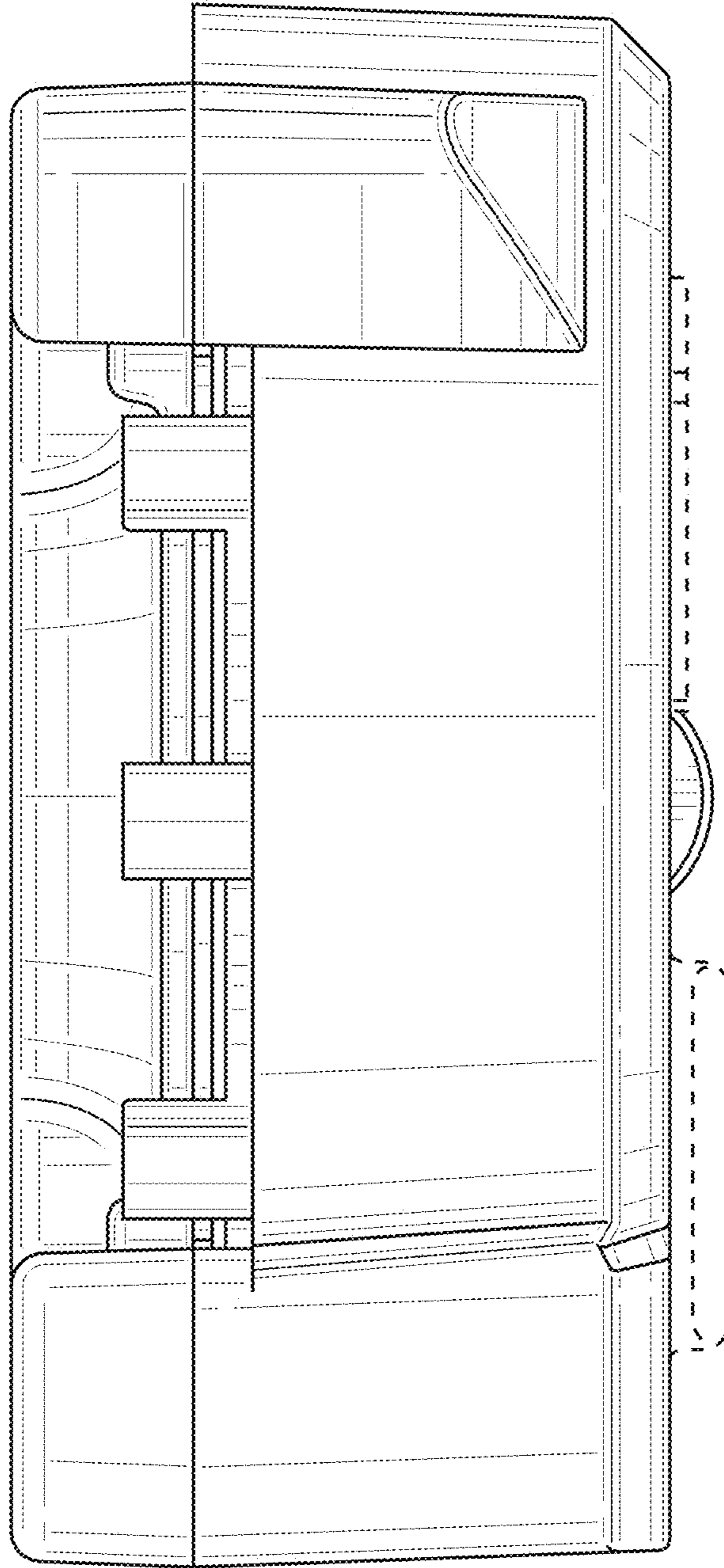


FIG. 5

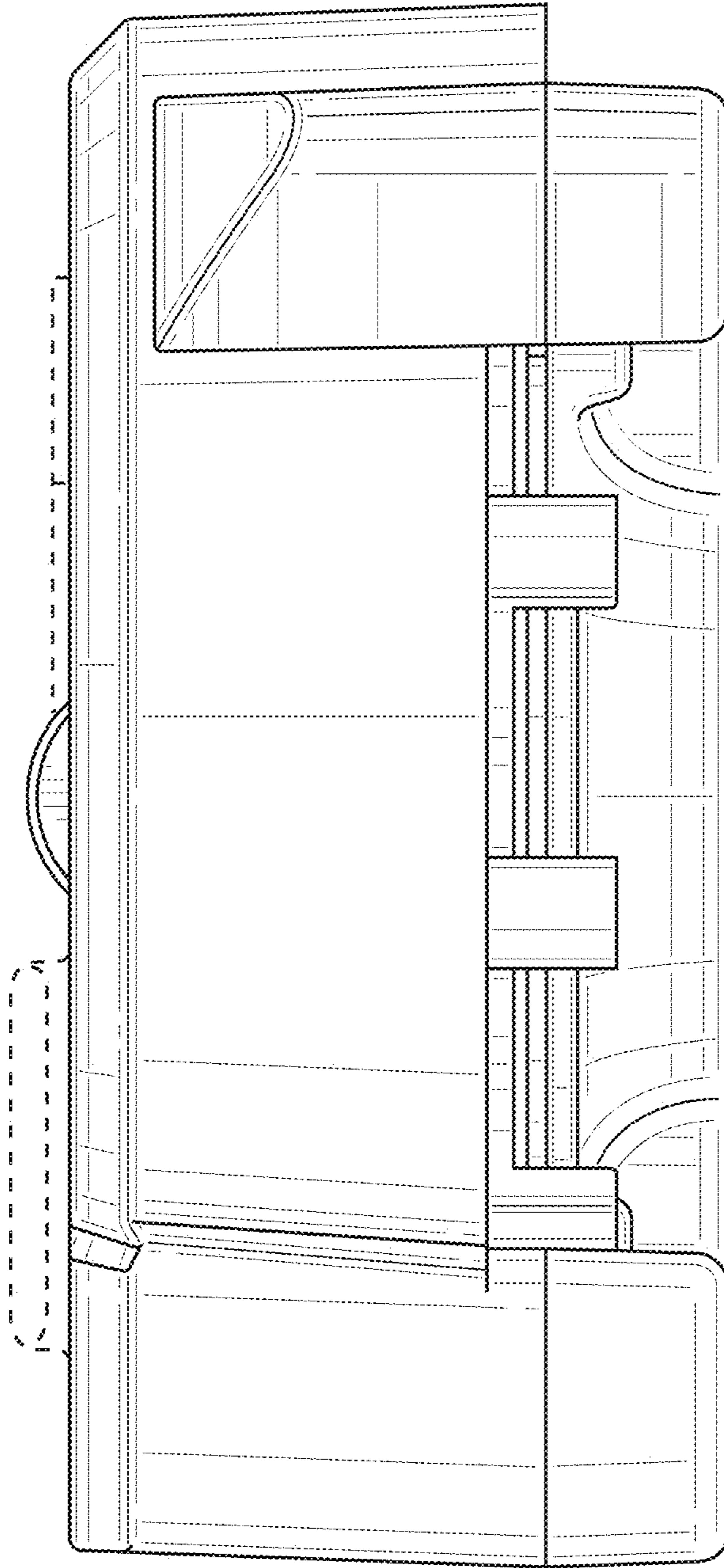


FIG. 6

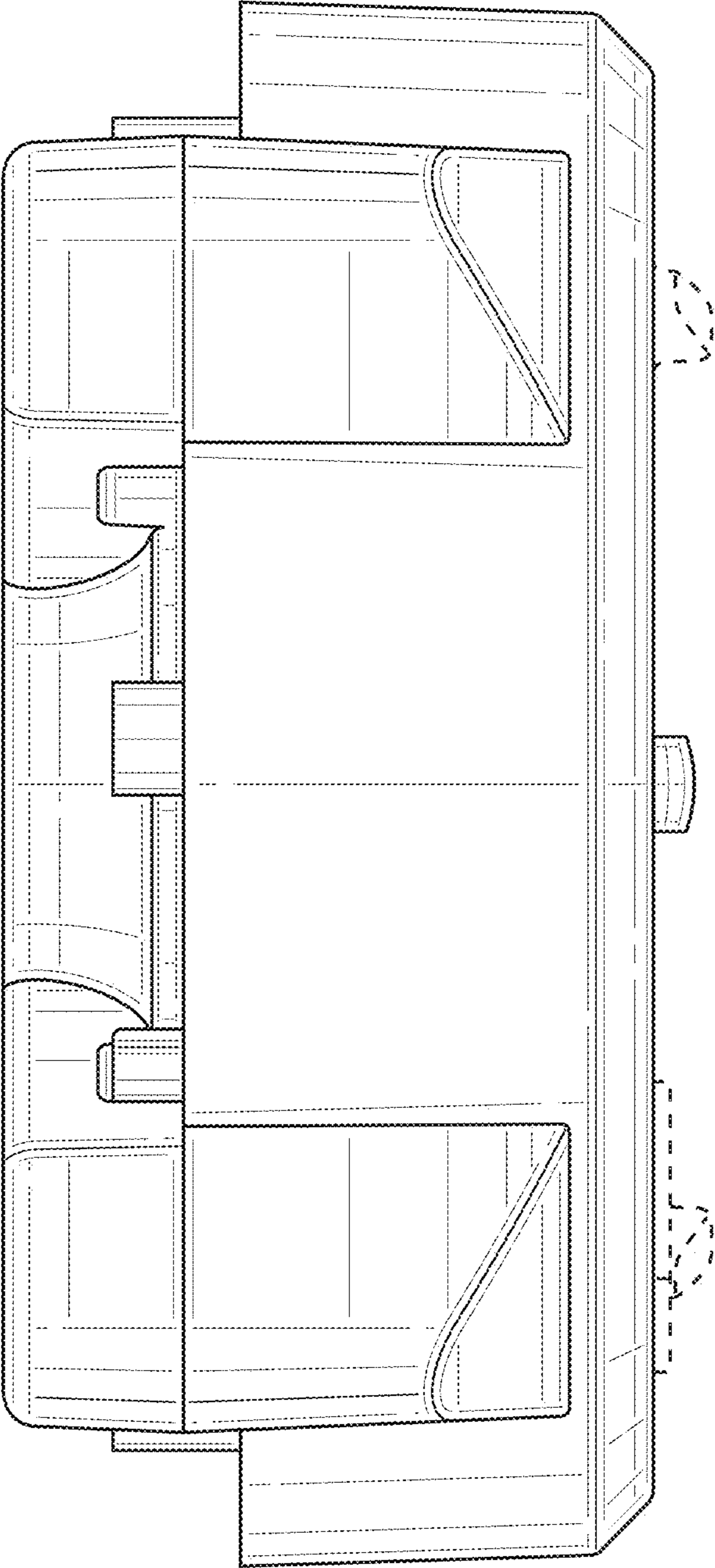


FIG. 7

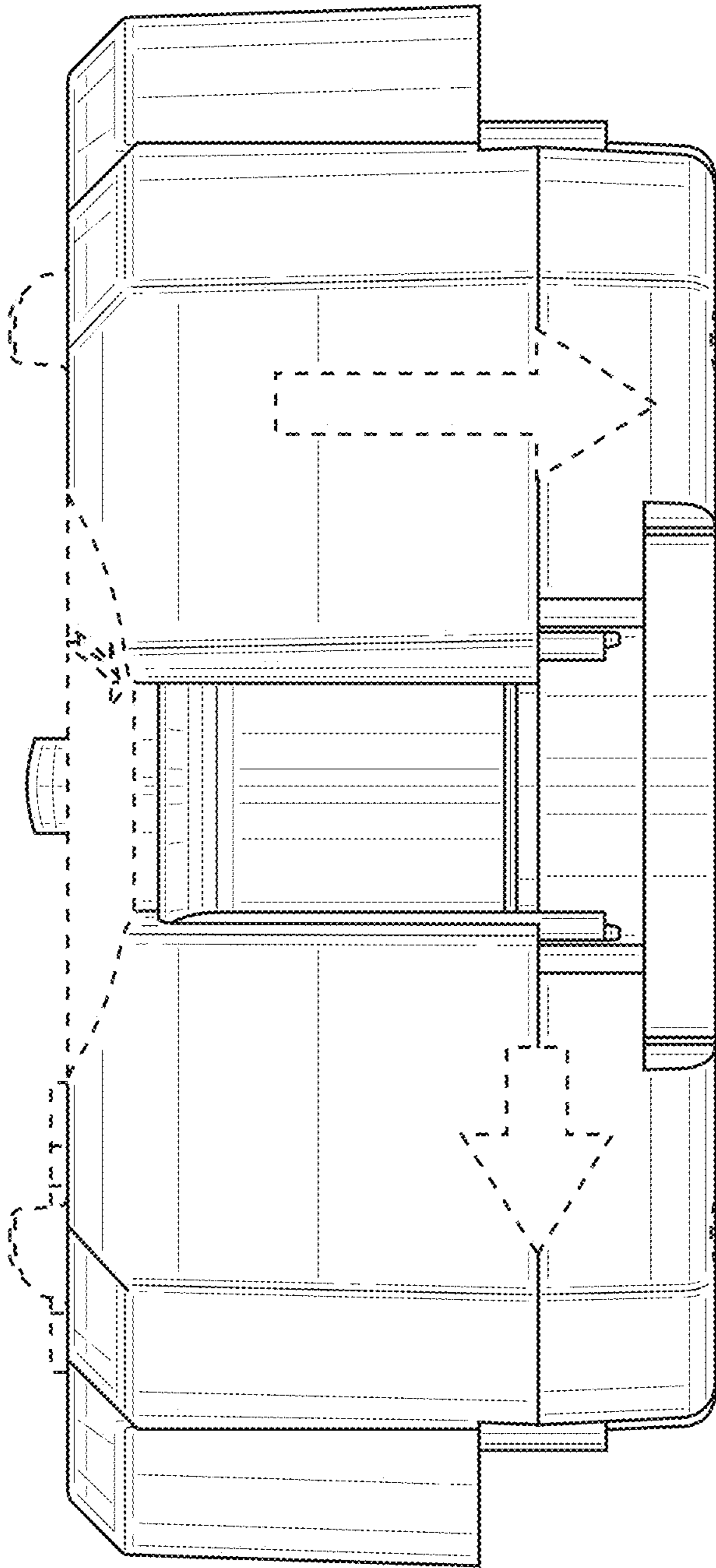


FIG. 8