



US00D988457S

(12) **United States Design Patent**
Cooper

(10) **Patent No.:** **US D988,457 S**

(45) **Date of Patent:** **** Jun. 6, 2023**

- (54) **SINGLE POINT SLING**
- (71) Applicant: **SUL LLC**, Conroe, TX (US)
- (72) Inventor: **Jason Cooper**, Conroe, TX (US)
- (73) Assignee: **Alfabeto, LLC**, Magnolia, TX (US)
- (**) Term: **15 Years**
- (21) Appl. No.: **29/713,720**
- (22) Filed: **Nov. 18, 2019**
- (51) **LOC (14) Cl.** **22-01**
- (52) **U.S. Cl.**
USPC **D22/108**
- (58) **Field of Classification Search**
USPC D22/108; D8/356; D29/101.1, 101.2;
D3/214–215, 221, 262, 327–328
CPC A45F 2003/142; A45F 3/12; F41C 23/02;
F41C 33/002; F41C 33/001; F41C
33/006; F41C 33/007
See application file for complete search history.

- D843,110 S * 3/2019 Rydberg D3/254
- D907,915 S * 1/2021 Sternbaum D22/108
- D942,581 S * 2/2022 Zheng D22/108
- D957,090 S * 7/2022 Barnard D2/600
- 2021/0145154 A1* 5/2021 Cooper A45F 3/047
- 2021/0148672 A1* 5/2021 Cooper F41C 23/02

* cited by examiner

Primary Examiner — Michael A. Pratt
(74) *Attorney, Agent, or Firm* — Dossey & Jones PLLC;
Phillip Black

(57) **CLAIM**

The ornamental design for a single point sling, as shown and described.

DESCRIPTION

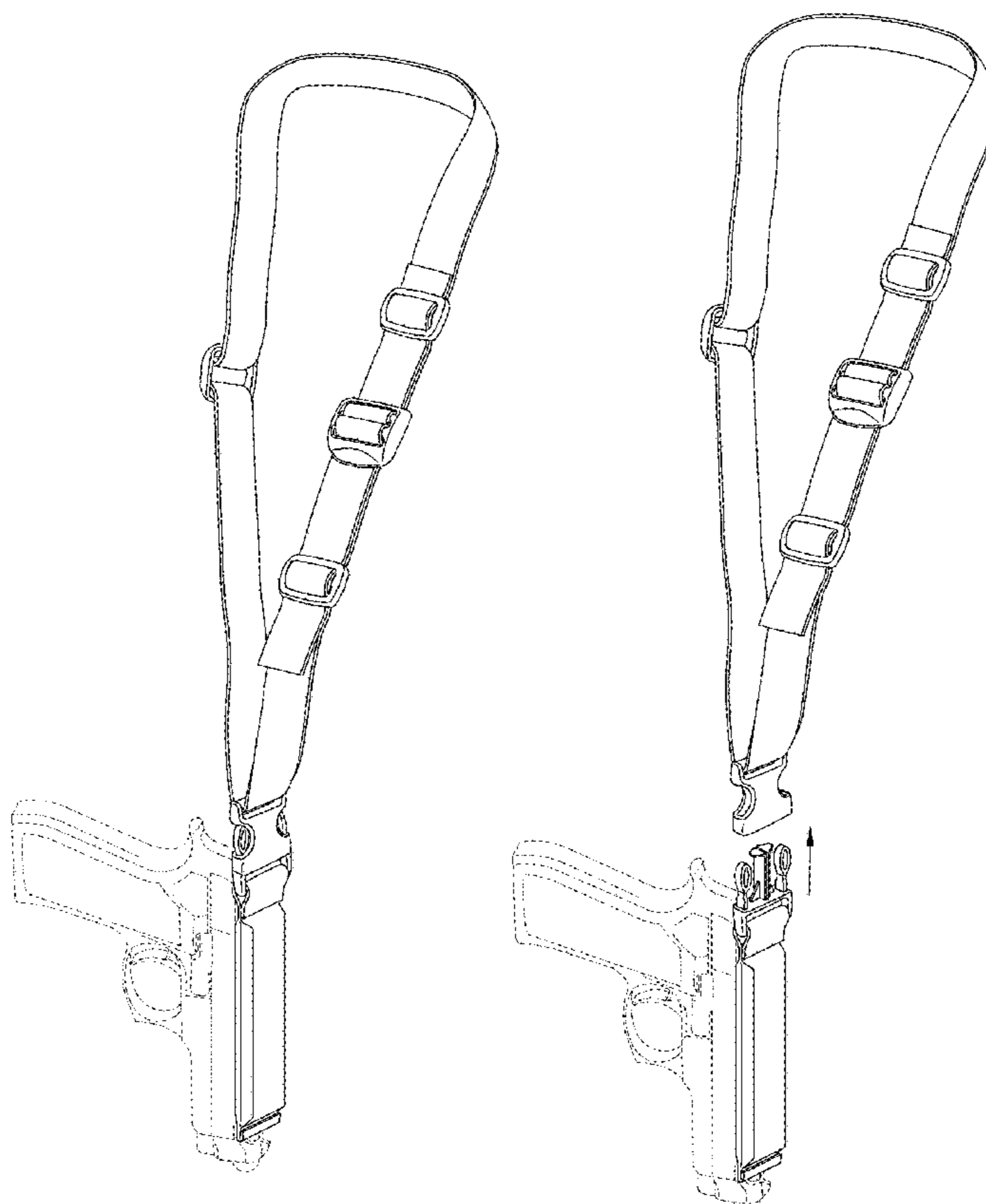
FIG. 1 is perspective front view of the single point stick in a first configuration in an environment of use;
 FIG. 2 is a perspective front view of the single point stick in a second configuration in an environment of use;
 FIG. 3 is a perspective rear view of the single point stick;
 FIG. 4 is a close-up cut away view of a connector portion and an object retention portion of the single point stick, showing the magnet disposed in the object retention section; and,
 FIG. 5 depicts the single point stick in an environment of use.
 The broken lines in the drawings illustrate environmental subject matter only and form no part of the claimed design.
 The single point stick comprises a strap portion, a connector portion, and an object retention portion.

(56) **References Cited**

U.S. PATENT DOCUMENTS

- 2,574,143 A * 11/1951 Colby F41C 33/002
224/268
- D515,311 S * 2/2006 Esch D3/262
- D655,080 S * 3/2012 Burrows D3/215
- D772,577 S * 11/2016 Muchin D3/327

1 Claim, 3 Drawing Sheets



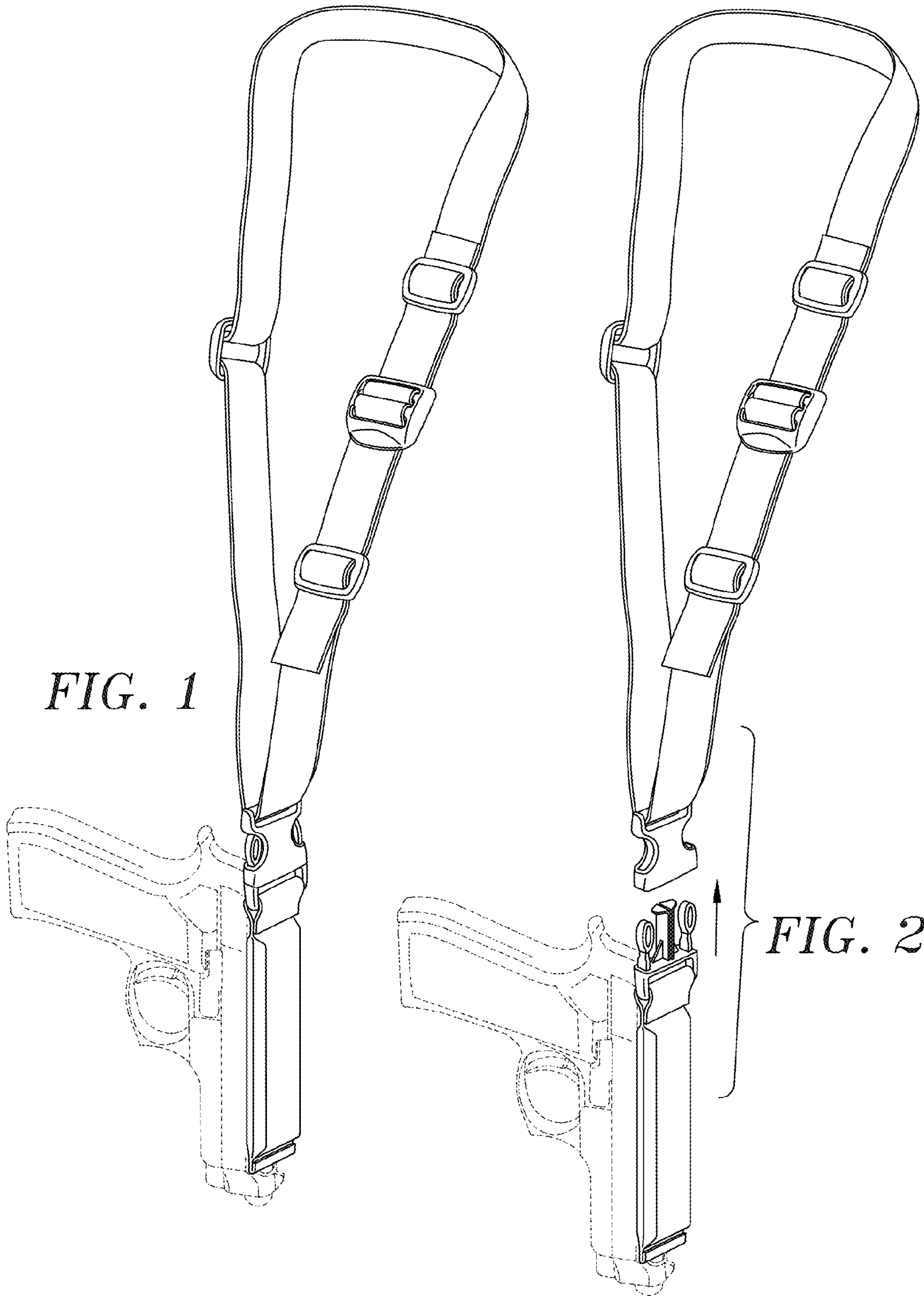


FIG. 1

FIG. 2

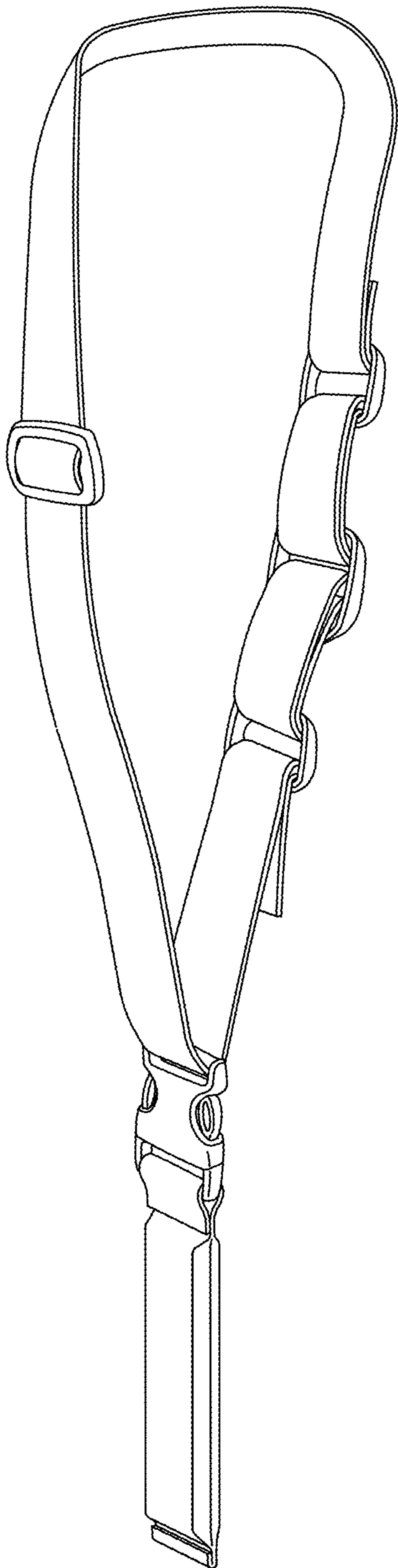


FIG. 3

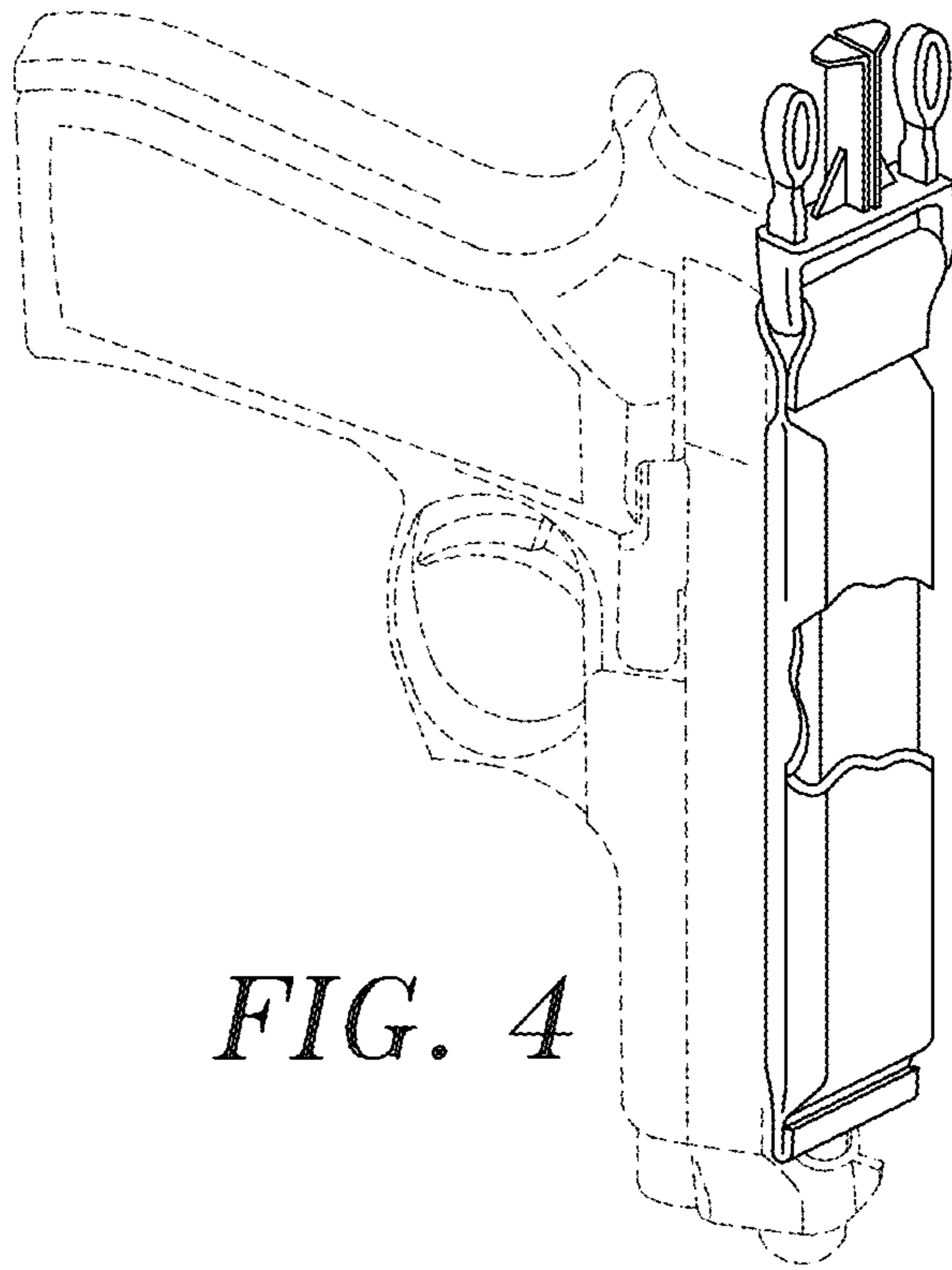


FIG. 4

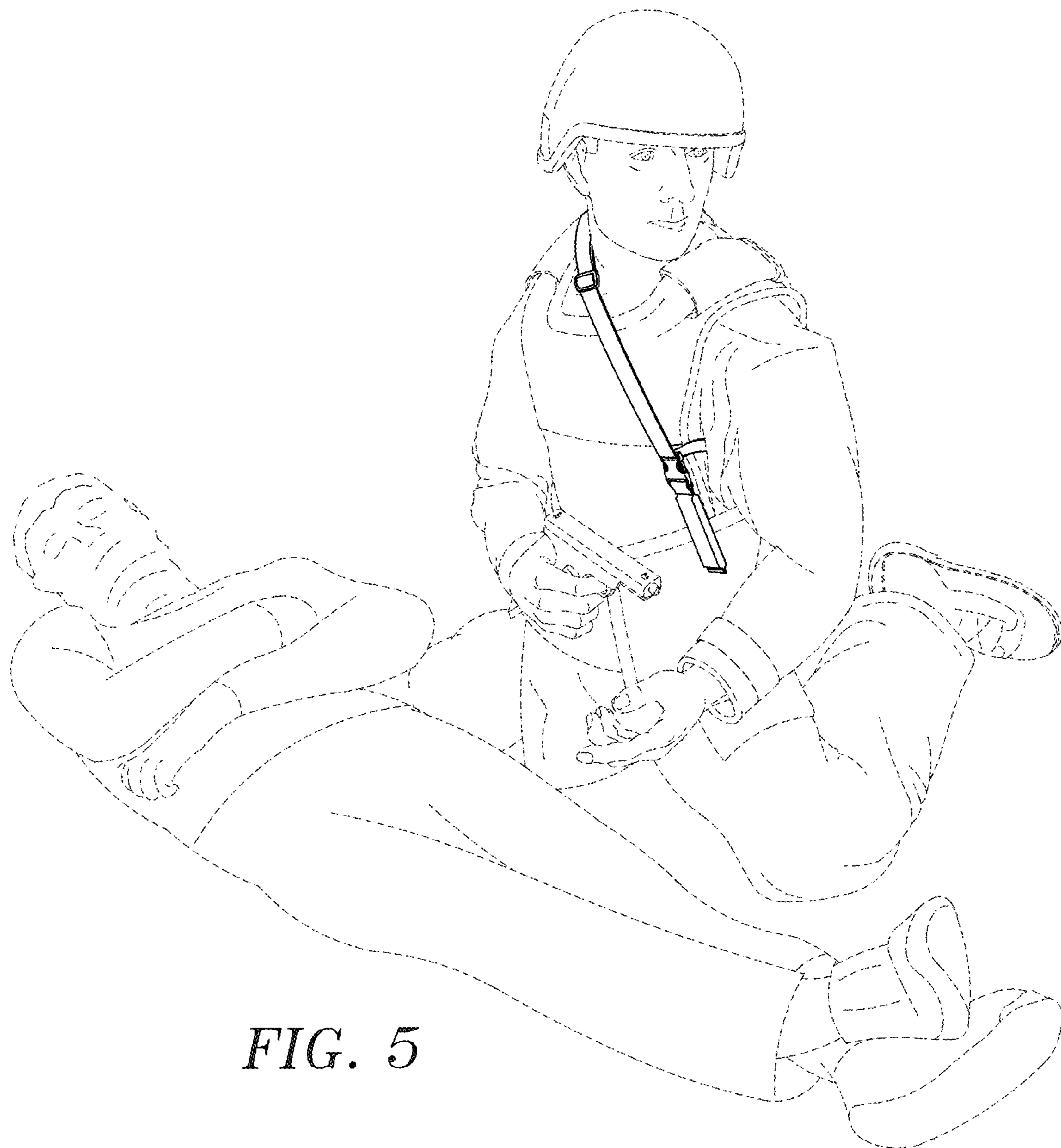


FIG. 5