



US00D988455S

(12) **United States Design Patent**
Jia et al.

(10) **Patent No.:** **US D988,455 S**
(45) **Date of Patent:** **** Jun. 6, 2023**

- (54) **TENT**
- (71) Applicant: **Guangzhou Issyzone Technology Co., Limited**, Guangzhou (CN)
- (72) Inventors: **Zhuo Jia**, Guangzhou (CN); **Taiping Yang**, Guangzhou (CN)
- (73) Assignee: **GUANGZHOU ISSYZONE TECHNOLOGY CO., LIMITED**, Guangzhou (CN)
- (**) Term: **15 Years**
- (21) Appl. No.: **29/850,304**
- (22) Filed: **Aug. 18, 2022**
- (51) **LOC (14) Cl.** **21-04**
- (52) **U.S. Cl.**
USPC **D21/834**
- (58) **Field of Classification Search**
USPC D21/834, 836-839; D25/56, 57;
D12/401, 403, 404
CPC E04H 15/00; E04H 15/02; E04H 15/001;
E04H 15/005; E04H 15/06; E04H 15/08;
E04H 15/30; E04H 15/54; E04H 15/40;
E04H 15/42; E04H 15/425; E04H 15/44;
E04H 15/58; E04H 15/405
See application file for complete search history.

- D687,116 S * 7/2013 Jin D21/834
- D695,376 S * 12/2013 Jin D21/834
- D696,373 S * 12/2013 Jin D21/834
- D702,791 S * 4/2014 Jin D21/834
- D872,209 S * 1/2020 Zhu D21/837
- D933,769 S * 10/2021 Cheng D21/834

(Continued)

OTHER PUBLICATIONS

Rightline Gear SUV Tent. Date First Available: Sep. 10, 2014. Retrieved from internet: <<https://www.amazon.com/Rightline-Gear-110907-SUV-Tent/dp/B00NGJEN5K/>> [site visited Nov. 14, 2022] (Year: 2014).*

(Continued)

Primary Examiner — Katherine Glennon
Assistant Examiner — Yuan Yuan

(57) **CLAIM**

The ornamental design for a tent, as shown and described.

DESCRIPTION

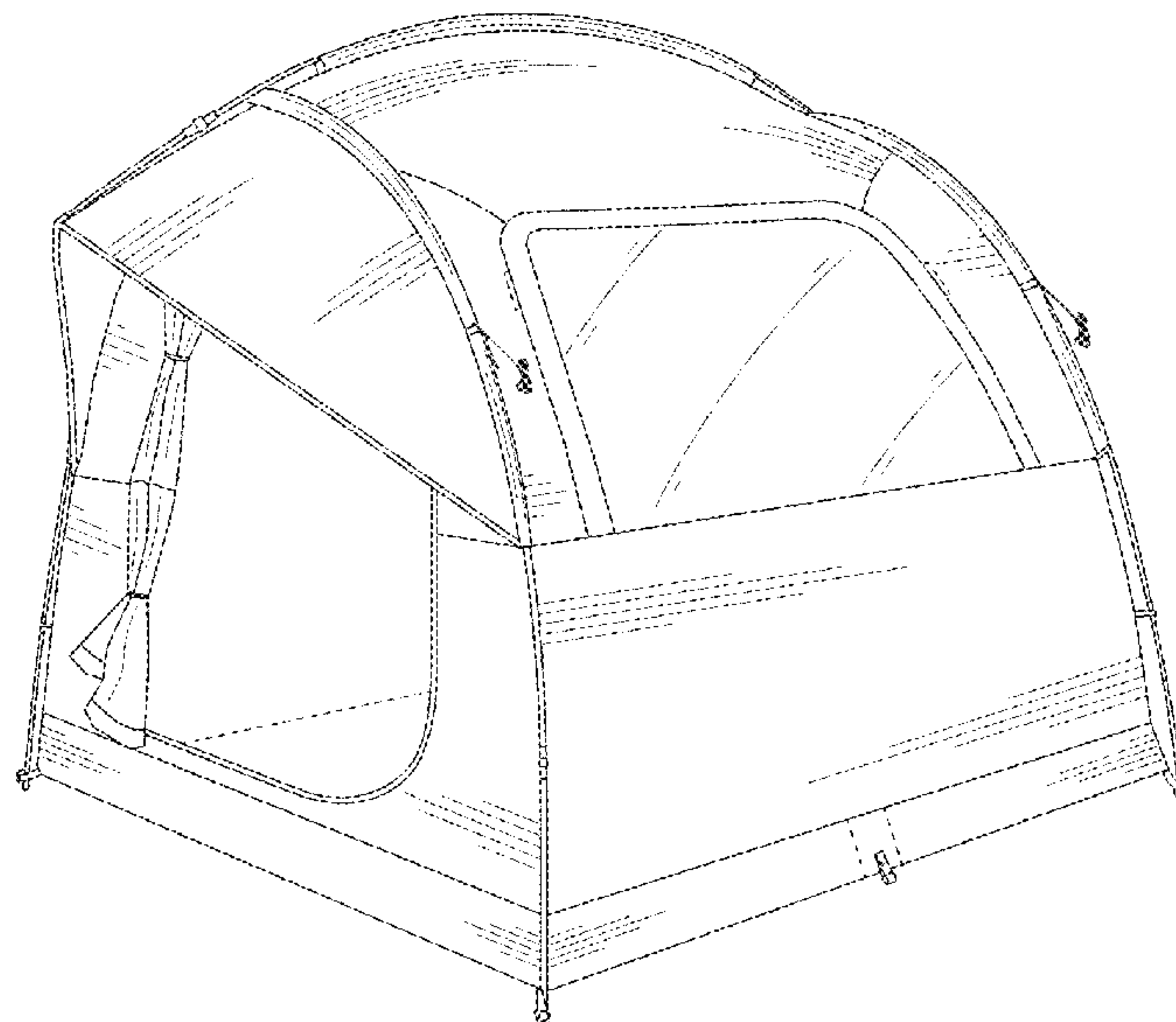
FIG. 1 is a front and top perspective view of a tent, showing our new design, with a door panel shown in an open position;
FIG. 2 is a front elevation view thereof;
FIG. 3 is a rear elevation view thereof;
FIG. 4 is a left side elevation view thereof, showing the door panel in a closed position;
FIG. 5 is a right side elevation view thereof;
FIG. 6 is a top plan view thereof;
FIG. 7 is a bottom plan view thereof; and,
FIG. 8 is another perspective view thereof, shown in a using position.
The broken lines showing of a car in FIG. 8 depict environmental structure that form no part of the claimed design. All other broken lines in the figures depict portions of the tent that form no part of the claimed design.

1 Claim, 8 Drawing Sheets

(56) **References Cited**

U.S. PATENT DOCUMENTS

- D325,063 S * 3/1992 Cantwell D21/834
- D461,759 S * 8/2002 Napieraj D21/834
- D484,942 S * 1/2004 Rapaport D21/834
- D503,143 S * 3/2005 Napieraj D12/403
- D516,497 S * 3/2006 Napieraj D12/403
- D534,614 S * 1/2007 Gallaway D21/834
- D562,930 S * 2/2008 Poulson D21/834
- D583,746 S * 12/2008 Napieraj D12/403
- D605,723 S * 12/2009 Rausch D21/834



(56)

References Cited

U.S. PATENT DOCUMENTS

D939,657 S 12/2021 Hale
2005/0178421 A1* 8/2005 Holub E04H 15/425
135/156
2007/0209694 A1* 9/2007 Gooch E04H 15/10
135/91
2014/0261600 A1* 9/2014 Lamke E04H 15/48
135/121
2021/0115694 A1* 4/2021 Xu E04H 15/425

OTHER PUBLICATIONS

JOYTUTUS SUV Tent for Camping Double Door Design. Date First Available: Mar. 30, 2022. Retrieved from internet: <<https://www.amazon.com/JOYTUTUS-Camping-Waterproof-PU2000mm-Preferred/dp/B09WV2DR1H/>> [site visited Nov. 14, 2022] (Year: 2022).*

* cited by examiner

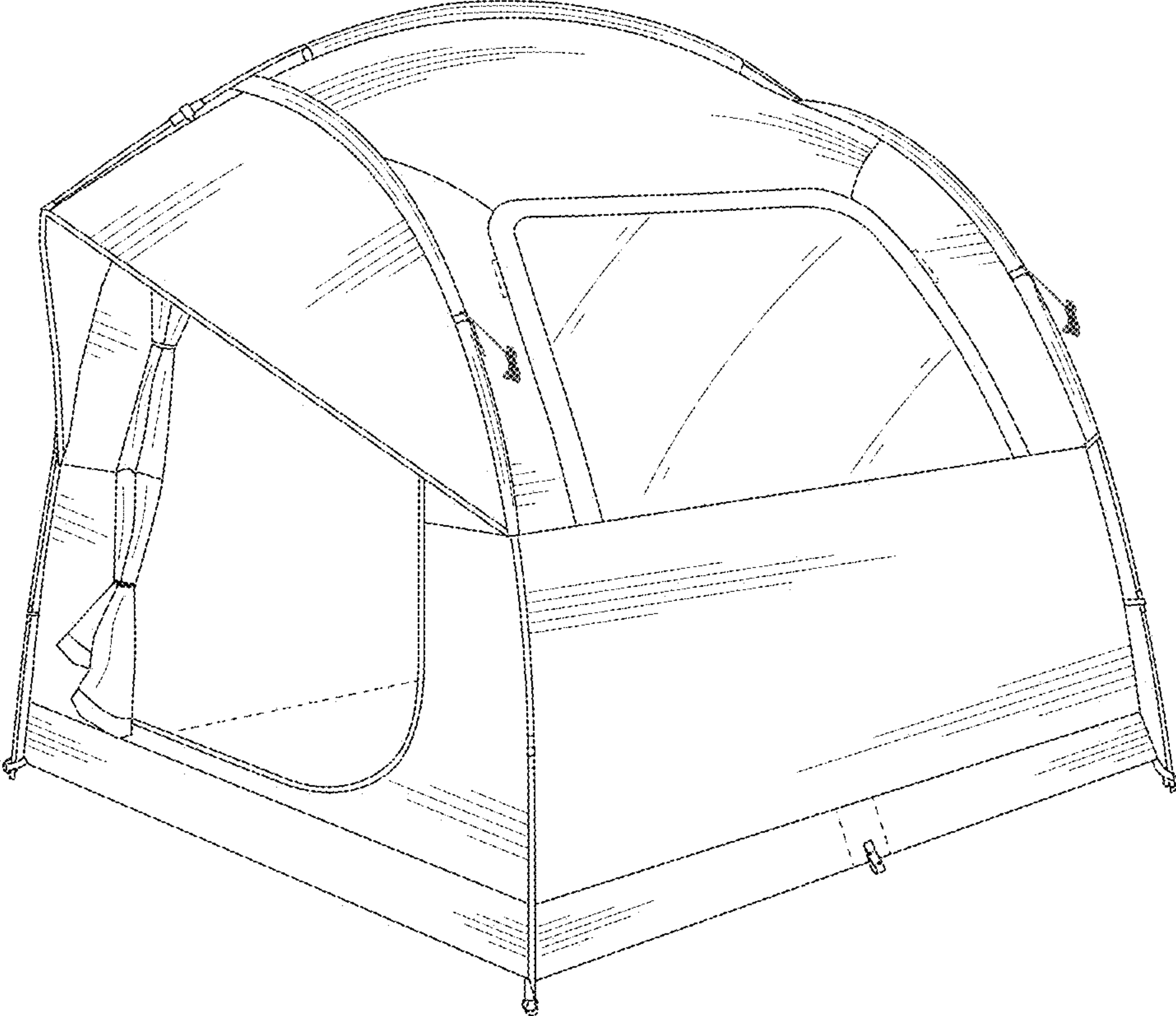


FIG. 1

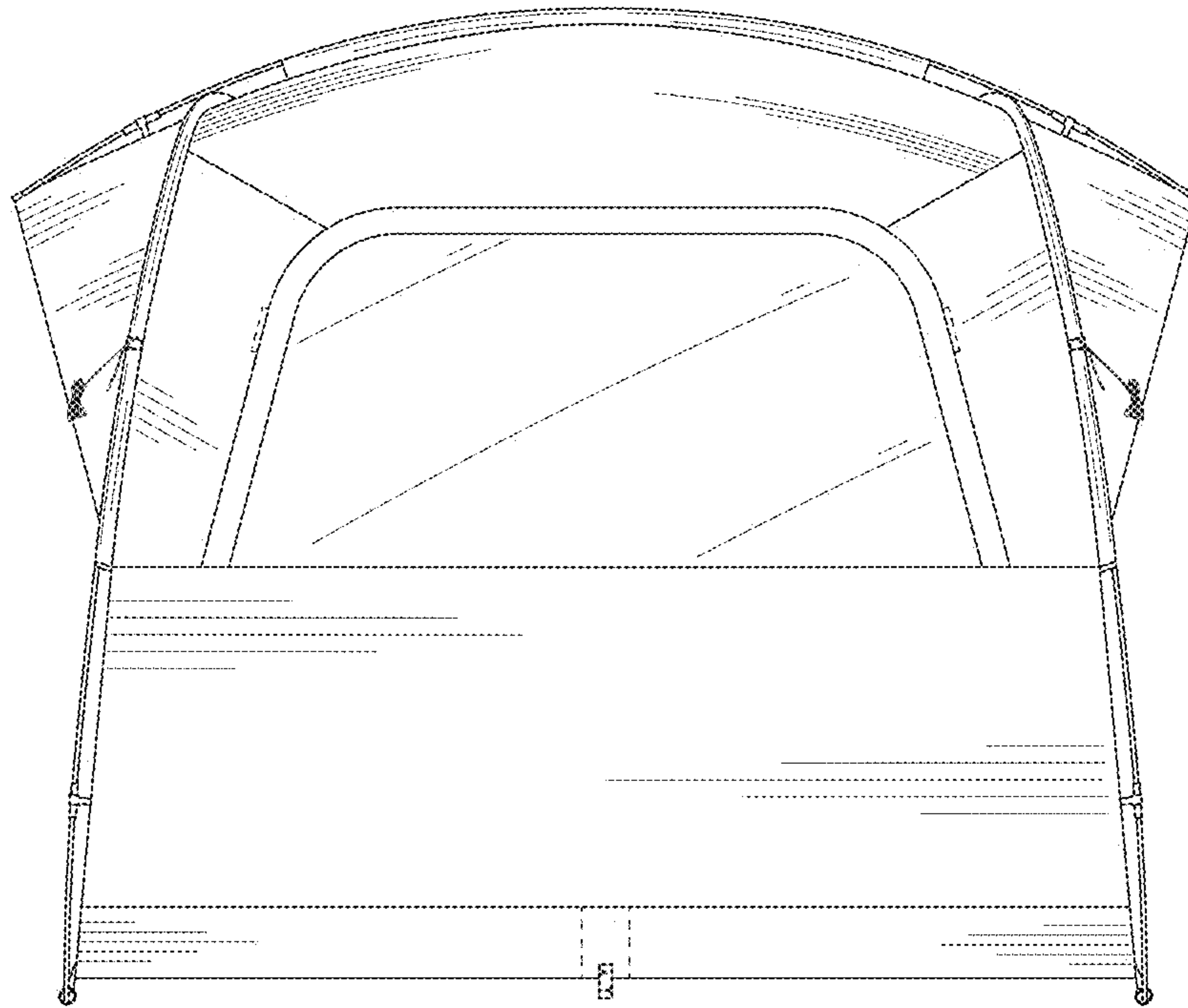


FIG. 2

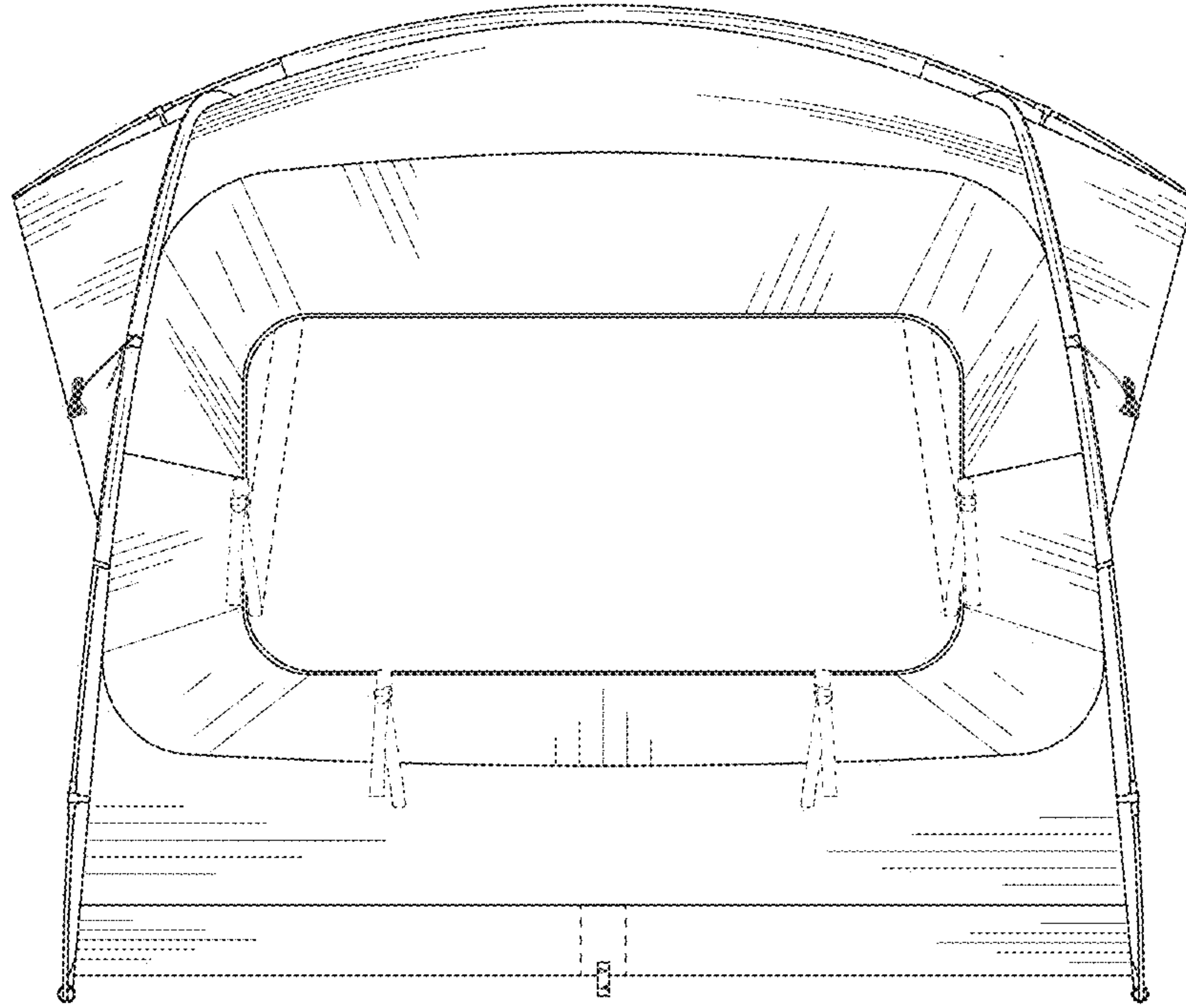


FIG. 3

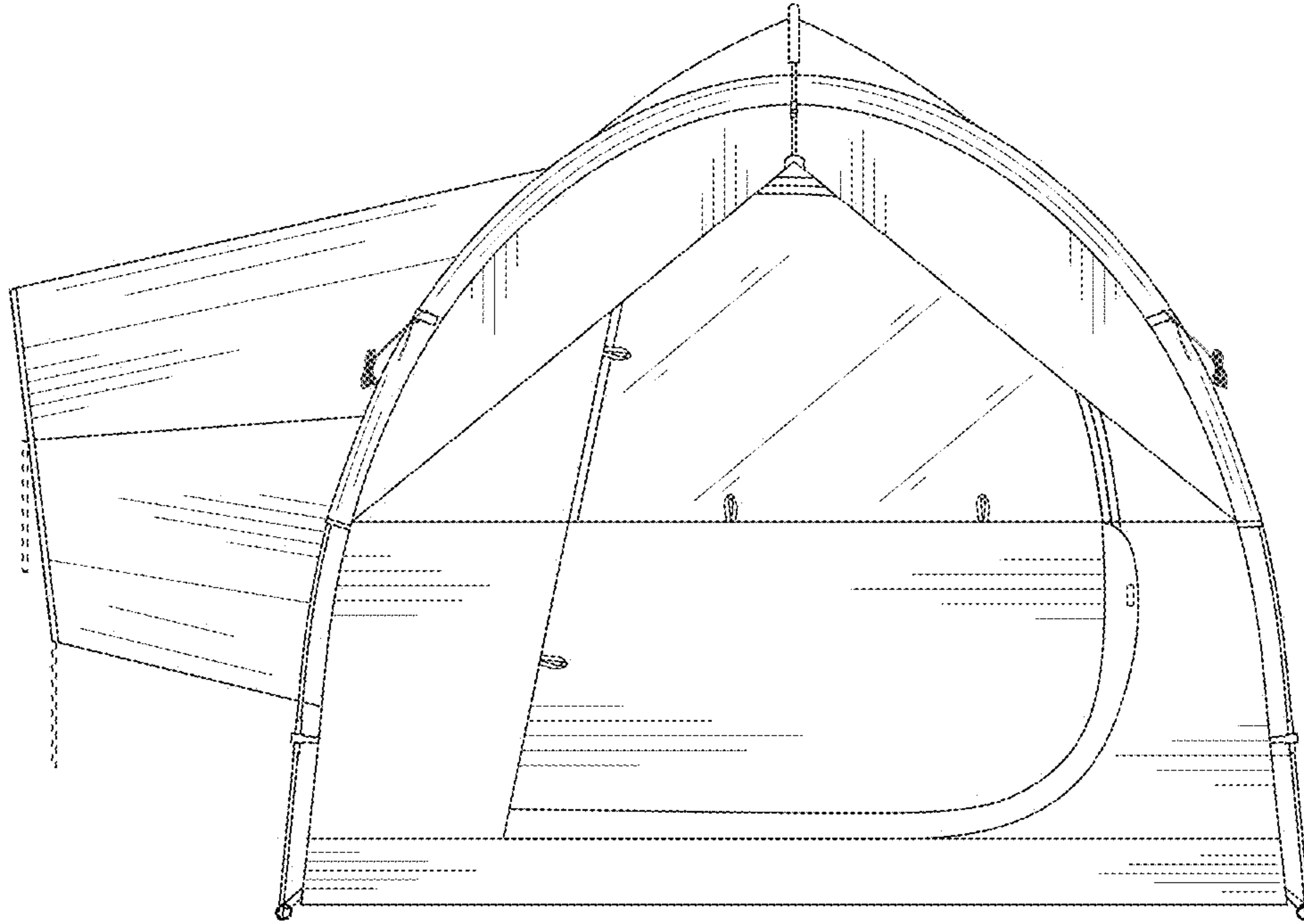


FIG. 4

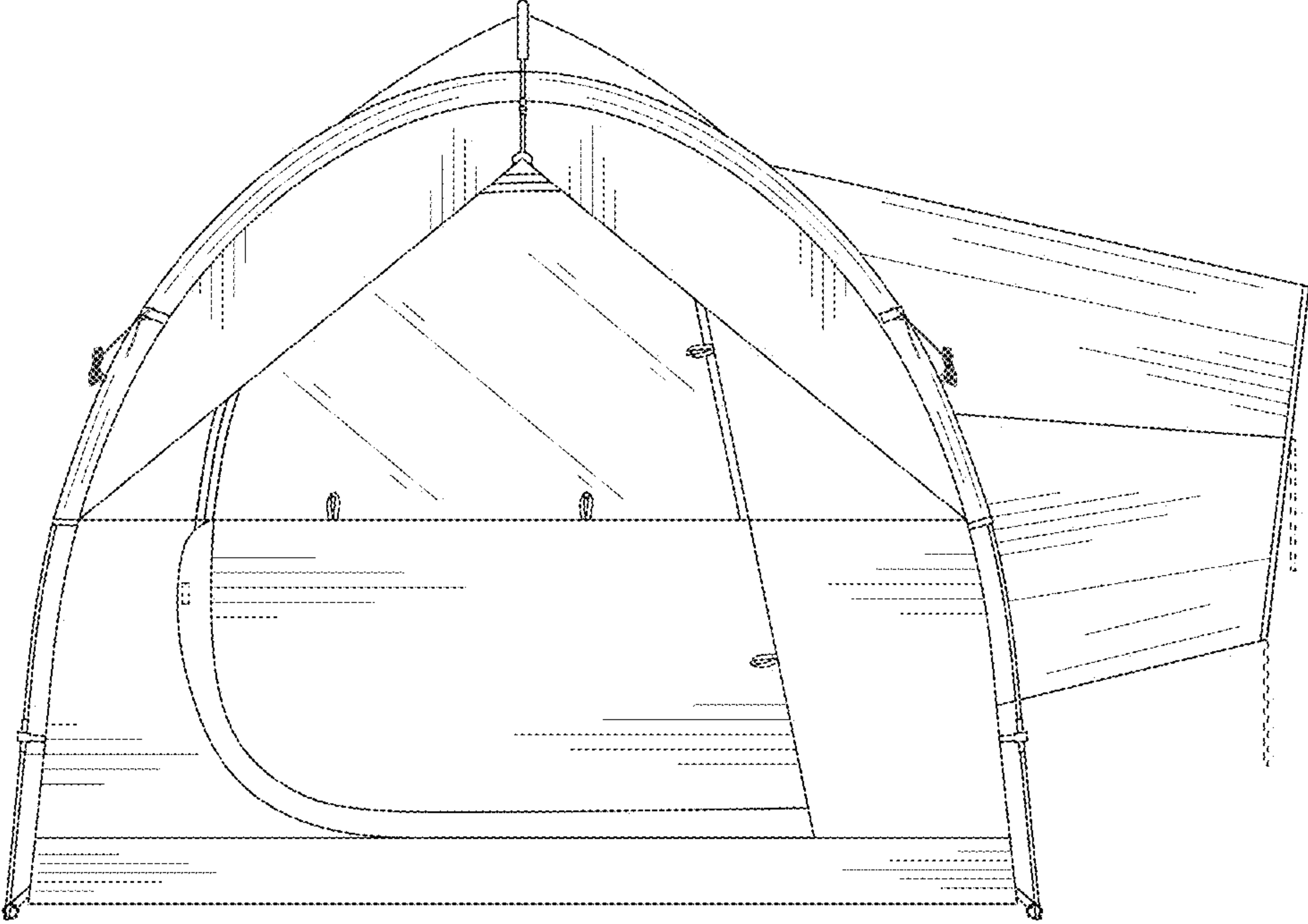


FIG. 5

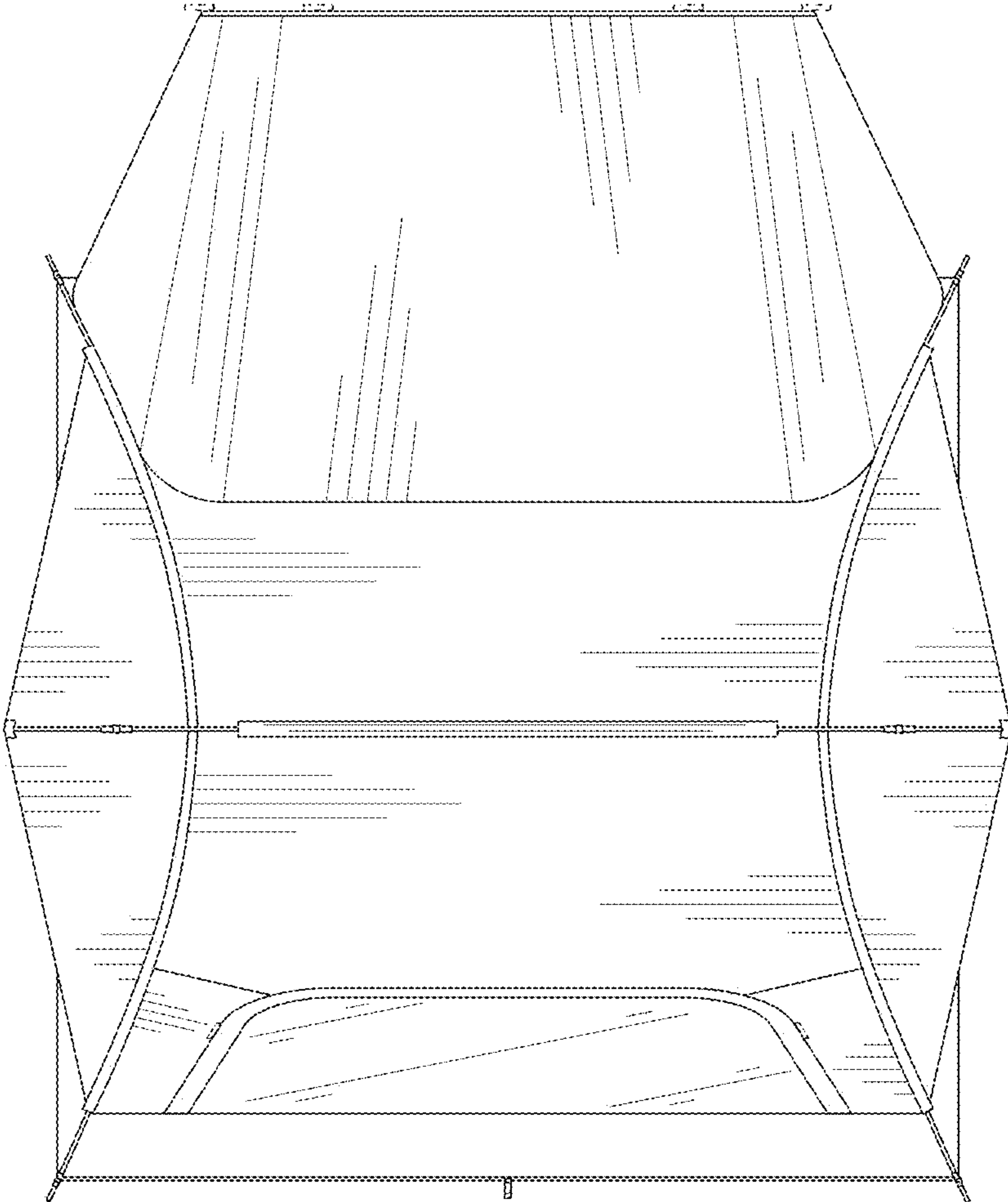


FIG. 6

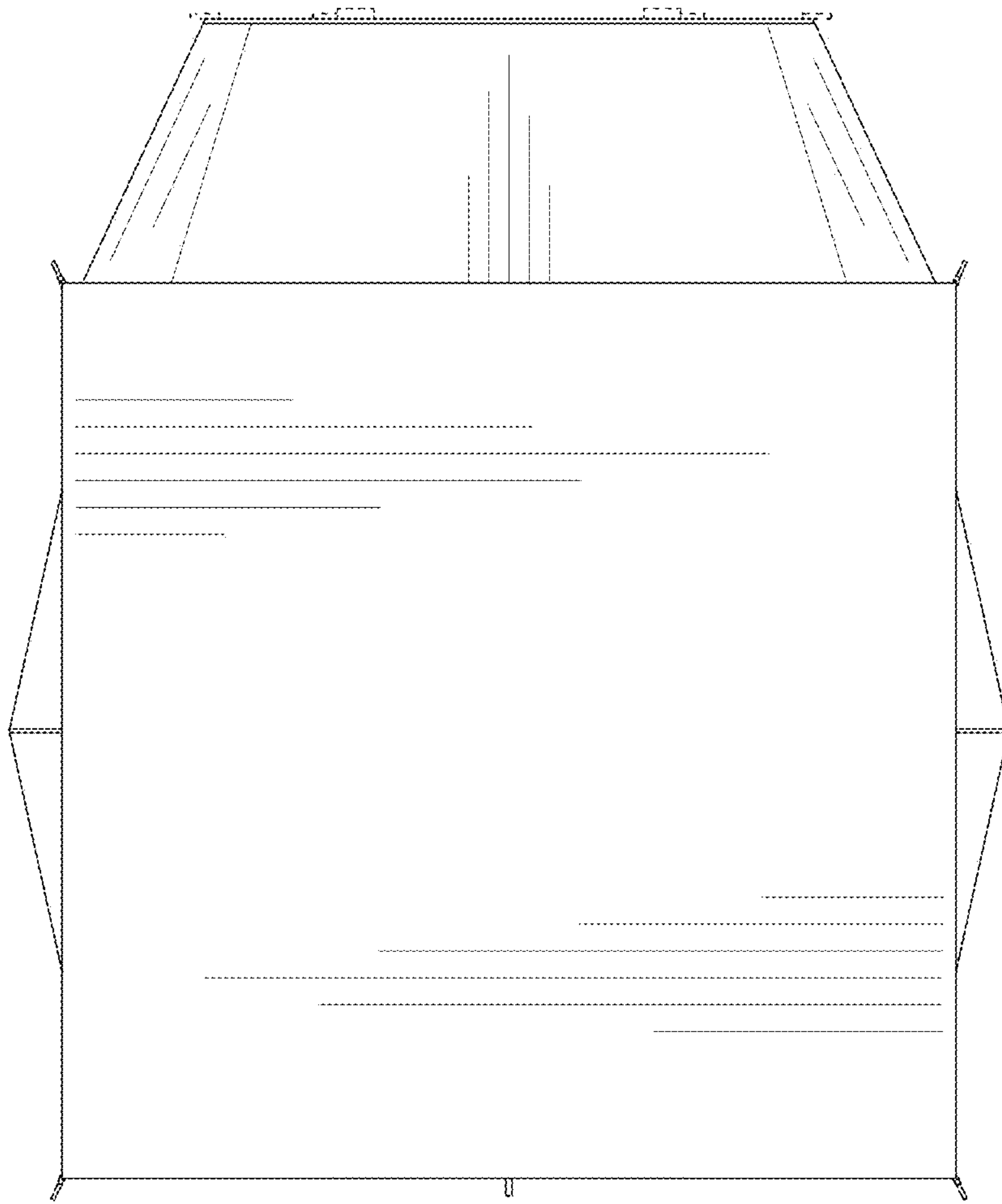


FIG. 7

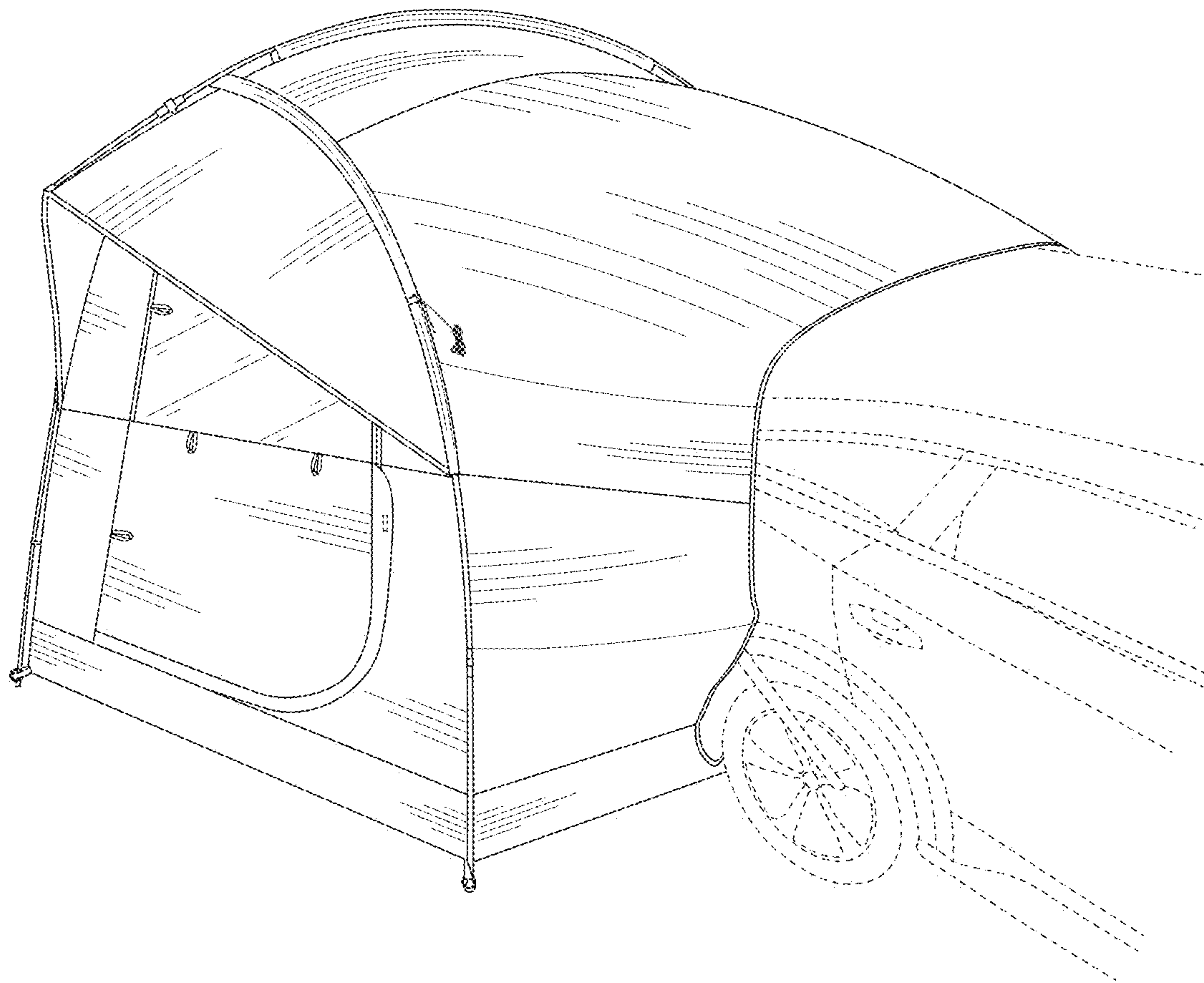


FIG. 8