



US00D988451S

(12) **United States Design Patent** (10) **Patent No.:** **US D988,451 S**
Lin (45) **Date of Patent:** **** Jun. 6, 2023**

(54) **BASKETBALL RACK**

FOREIGN PATENT DOCUMENTS

(71) Applicant: **Guonan Lin**, Fujian (CN)

CN 307031402 * 12/2021

(72) Inventor: **Guonan Lin**, Fujian (CN)

OTHER PUBLICATIONS

(**) Term: **15 Years**

Ball Storage Rack, available on Aliexpress.com, oldest customer review Oct. 8, 2022, [site visited Mar. 29, 2023], URL: <https://www.aliexpress.us/item/3256804435026025.html> (Year: 2022).*

(21) Appl. No.: **29/815,380**

JTYX Exercise Ball Storage, available on Amazon.com, no date available, [site visited Mar. 29, 2023], URL: <https://www.amazon.com/JTYX-Exercise-Basketball-Basketballs-Stability/dp/B09F6GHY14> (Year: 2023).*

(22) Filed: **Nov. 12, 2021**

JellyRattBit Ball Storage, available on Amazon.com, date first available Apr. 19, 2022, oldest customer review with photo Oct. 25, 2022, [site visited Mar. 29, 2023], URL: <https://www.amazon.com/JELLYRATTBIT-Equipment-Organizer-Freestanding-Basketball/dp/B09Y8R7N4W/> (Year: 2022).*

(51) **LOC (14) Cl.** **21-02**

(52) **U.S. Cl.**
USPC **D6/552**; D21/698

(58) **Field of Classification Search**
USPC D6/546, 552, 672, 675.2, 675.5, 680, D6/680.2, 680.3; D21/698, 702, 781
CPC .. A63B 69/0071; A63B 63/083; A47G 25/12; A61G 17/045; A47B 61/02; A47B 61/04; A43D 117/00

See application file for complete search history.

(Continued)

Primary Examiner — Cary M Robinson
Assistant Examiner — Emily Anna Saunders

(56) **References Cited**

(57) **CLAIM**

The ornamental design for a basketball rack, as shown and described.

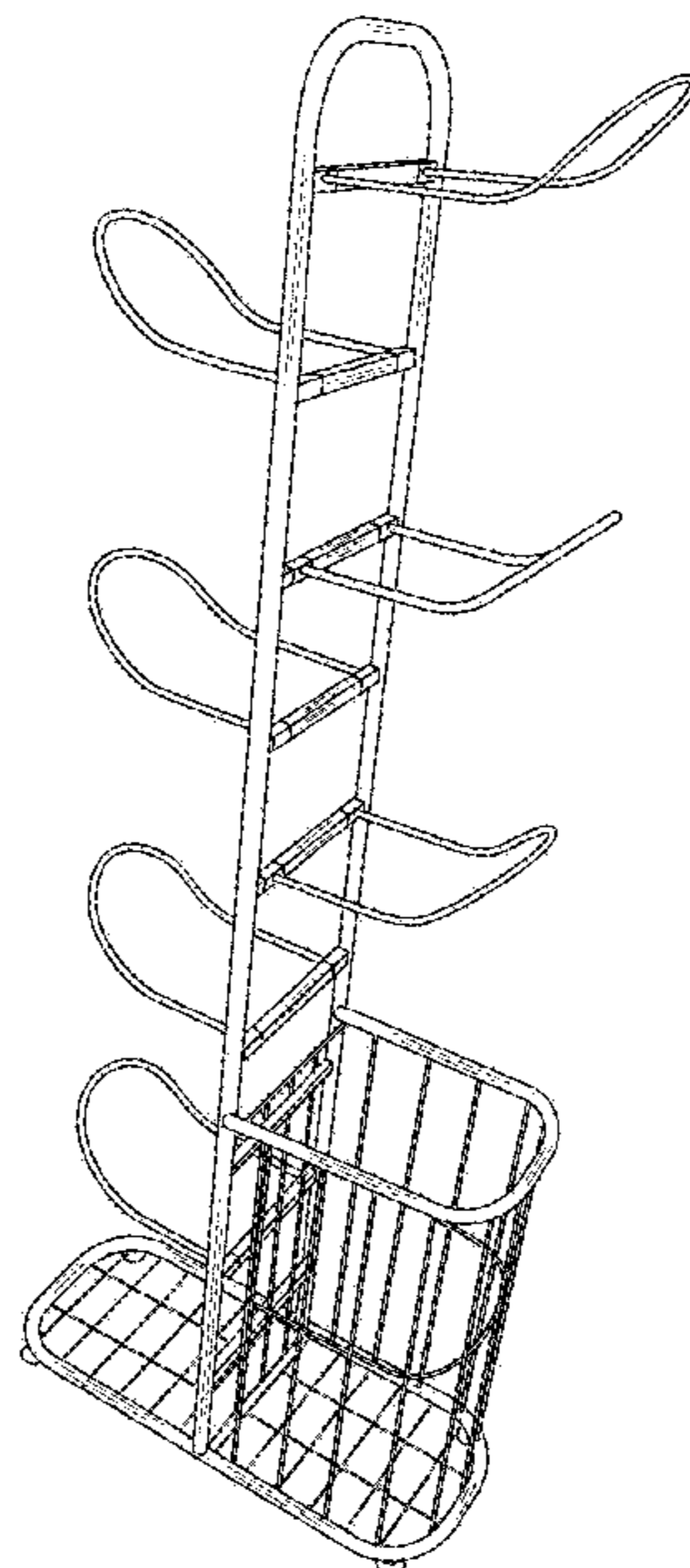
U.S. PATENT DOCUMENTS

DESCRIPTION

| | | | | |
|--------------|---------|-------------|-------|----------|
| D40,361 S * | 11/1909 | Moore | | 211/74 |
| D122,462 S * | 9/1940 | Griffin | | D6/675.2 |
| D159,217 S * | 7/1950 | Lydick | | D6/678.4 |
| D180,617 S * | 7/1957 | Patterson | | D6/675.2 |
| D190,352 S * | 5/1961 | Hackathorn | | 211/37 |
| D276,765 S * | 12/1984 | Denhoff | | D6/680.3 |
| D282,797 S * | 3/1986 | Dixon | | D6/675.2 |
| D331,680 S * | 12/1992 | Glassenberg | | D6/678.4 |
| D413,456 S * | 9/1999 | Huang | | D6/674.1 |
| D462,200 S * | 9/2002 | Pollard | | D6/680.2 |
| D462,559 S * | 9/2002 | Lechner | | D6/675.2 |
| D522,186 S * | 5/2006 | Taylor | | D30/143 |
| D524,573 S * | 7/2006 | Robinson | | D6/675.4 |
| D577,235 S * | 9/2008 | Blazer | | D6/552 |
| D784,086 S * | 4/2017 | Rodriguez | | D6/677.2 |
| D961,336 S * | 8/2022 | Liu | | D7/600.2 |

FIG. 1 is a perspective view of the basketball rack, showing my new design;
FIG. 2 is a front view of a basketball rack.
FIG. 3 is a rear view of a basketball rack.
FIG. 4 is a left side view of a basketball rack.
FIG. 5 is a right side view of a basketball rack.
FIG. 6 is a top view of a basketball rack; and,
FIG. 7 is a bottom view of a basketball rack.
Any shading and cross-hatching are not features of the design but are utilized to illustrate the surface contours of the basketball rack design in the drawings.

1 Claim, 7 Drawing Sheets



(56)

References Cited

OTHER PUBLICATIONS

Knape & Vogt Sports Rack, available on Amazon.com, oldest customer review with photo Mar. 28, 2017, [site visited Mar. 29, 2023], URL: <https://www.amazon.com/John-Sterling-Sports-7-Ball-Capacity/dp/B01DWSH1I0/> (Year: 2017).*

YLLFFLL Basketball Storage Holder, available on Amazon.com, date first available Aug. 22, 2022, [site visited Mar. 29, 2023], URL: <https://www.amazon.com/YLLFFLL-Basketball-Football-Badminton-Volleyball/dp/B0BBG4JSNJ/> (Year: 2022).*

Ball Storage Rack, available on Amazon.com, date first available Nov. 16, 2022, oldest customer review with photo Jan. 24, 2023, [site visited Mar. 29, 2023], URL: <https://www.amazon.com/Wall-Mouted-Vertical-Organizer-Basketball-Volleyball/dp/B0BMLB5RZ6/> (Year: 2022).*

YIILII 7-Ball Sports Equipment, available on Amazon.com, date first available Jan. 6, 2023, <https://www.amazon.com/YIILII-7-Ball-Sports-Equipment-Storage/dp/B0BRSF5YC1/> (Year: 2023).*

Medicine Ball Rack, available on merrithew.com, Wayback Machine date Sep. 26, 2020, [site visited Mar. 29, 2023], URL: <https://web.archive.org/web/20200926113159/https://www.merrithew.com/shop/> (Year: 2020).*

* cited by examiner

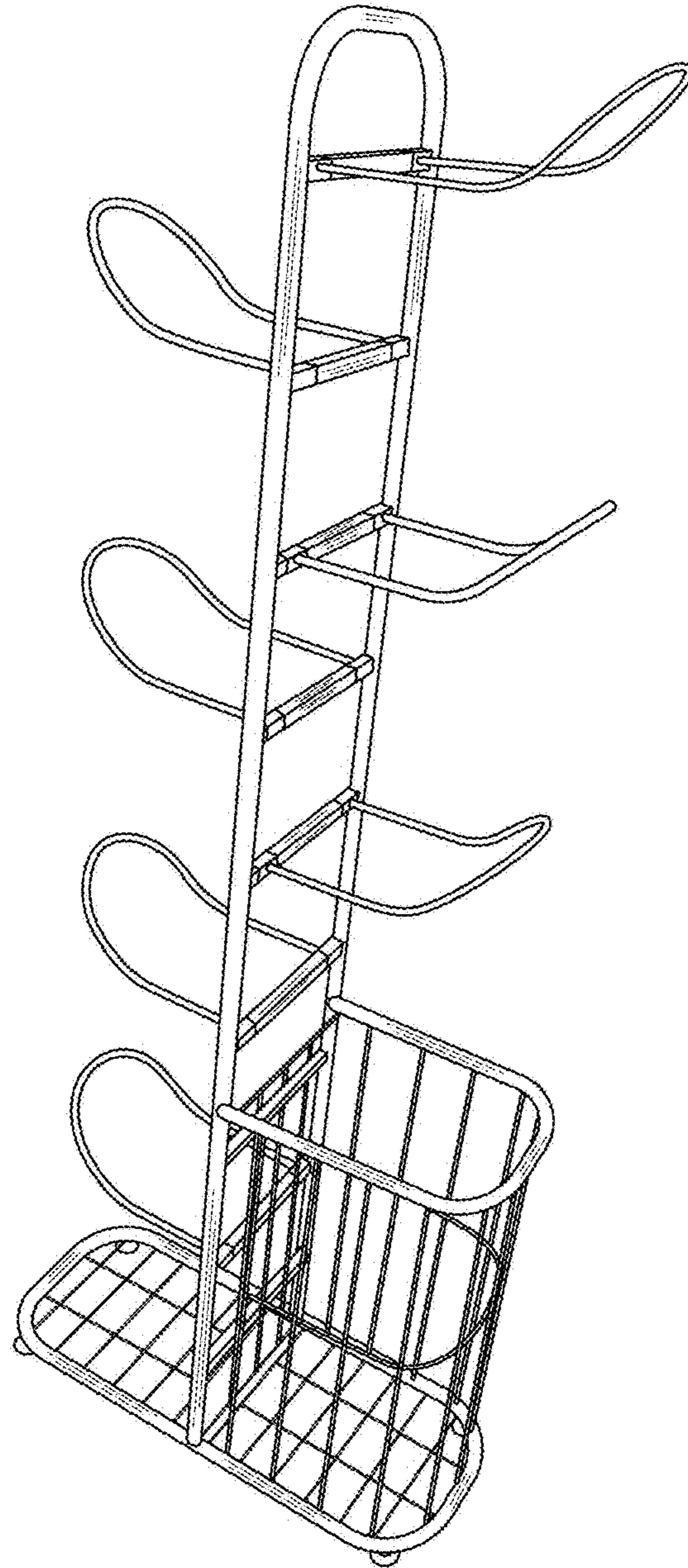


FIG. 1

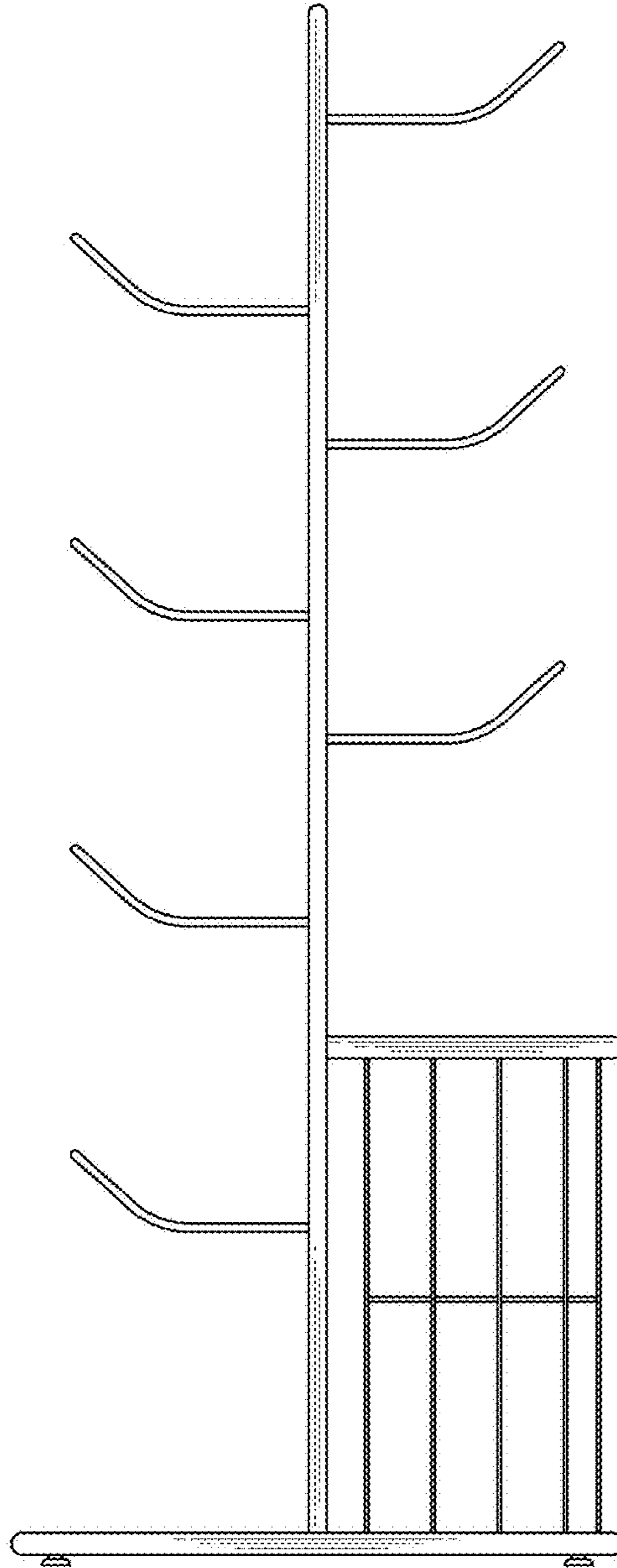


FIG. 2

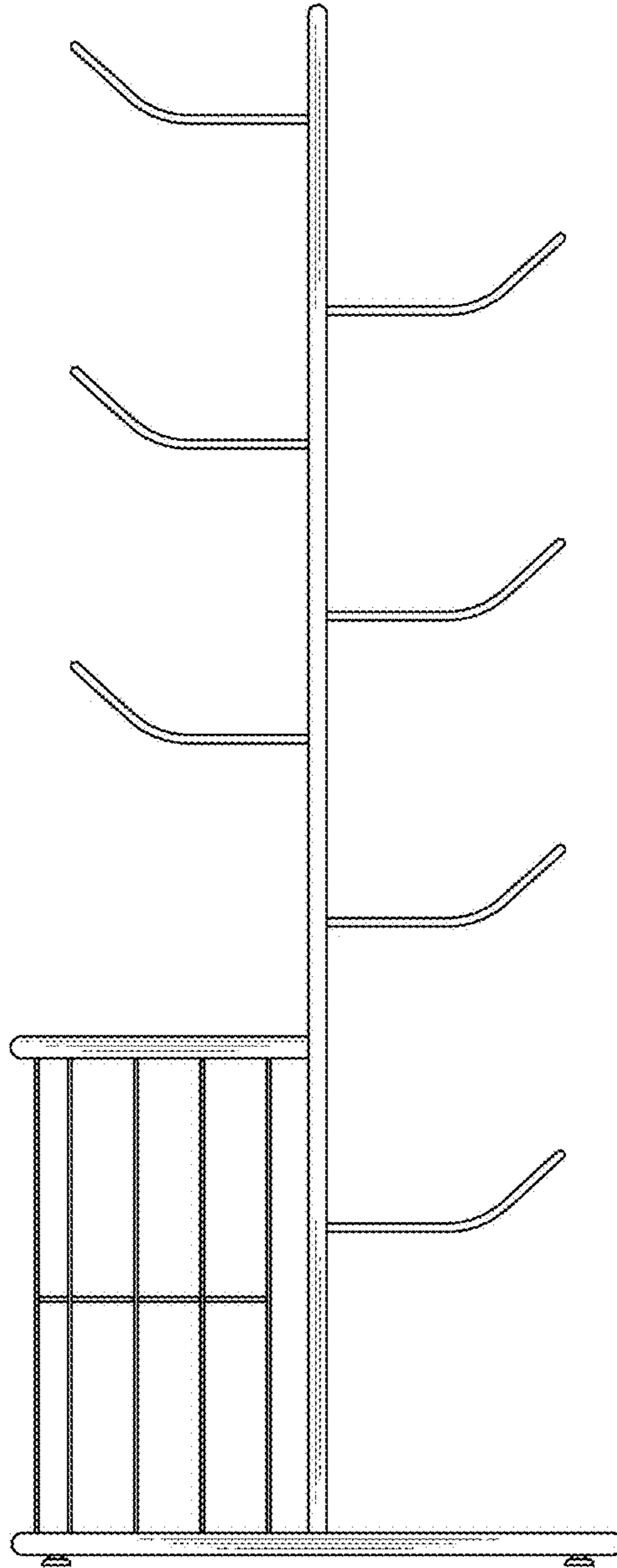


FIG. 3

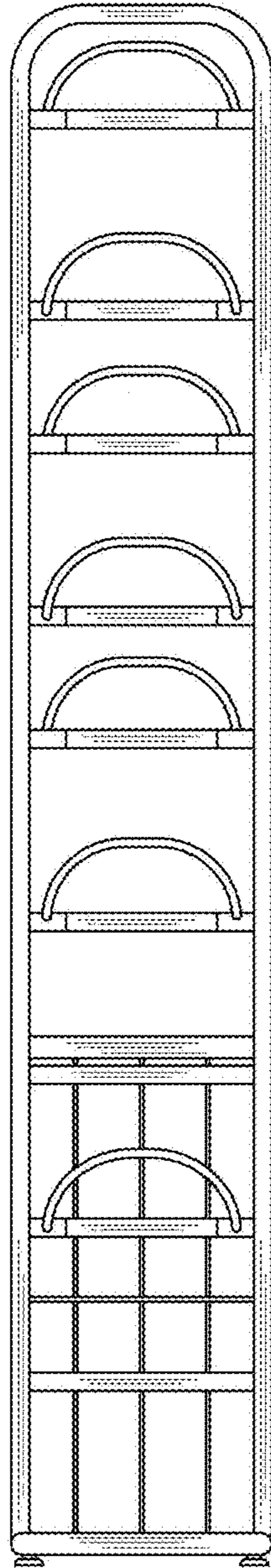


FIG. 4

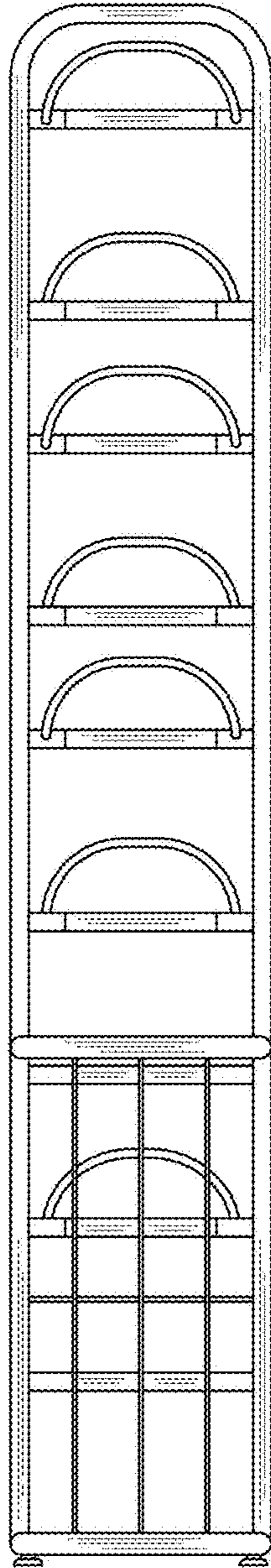


FIG. 5

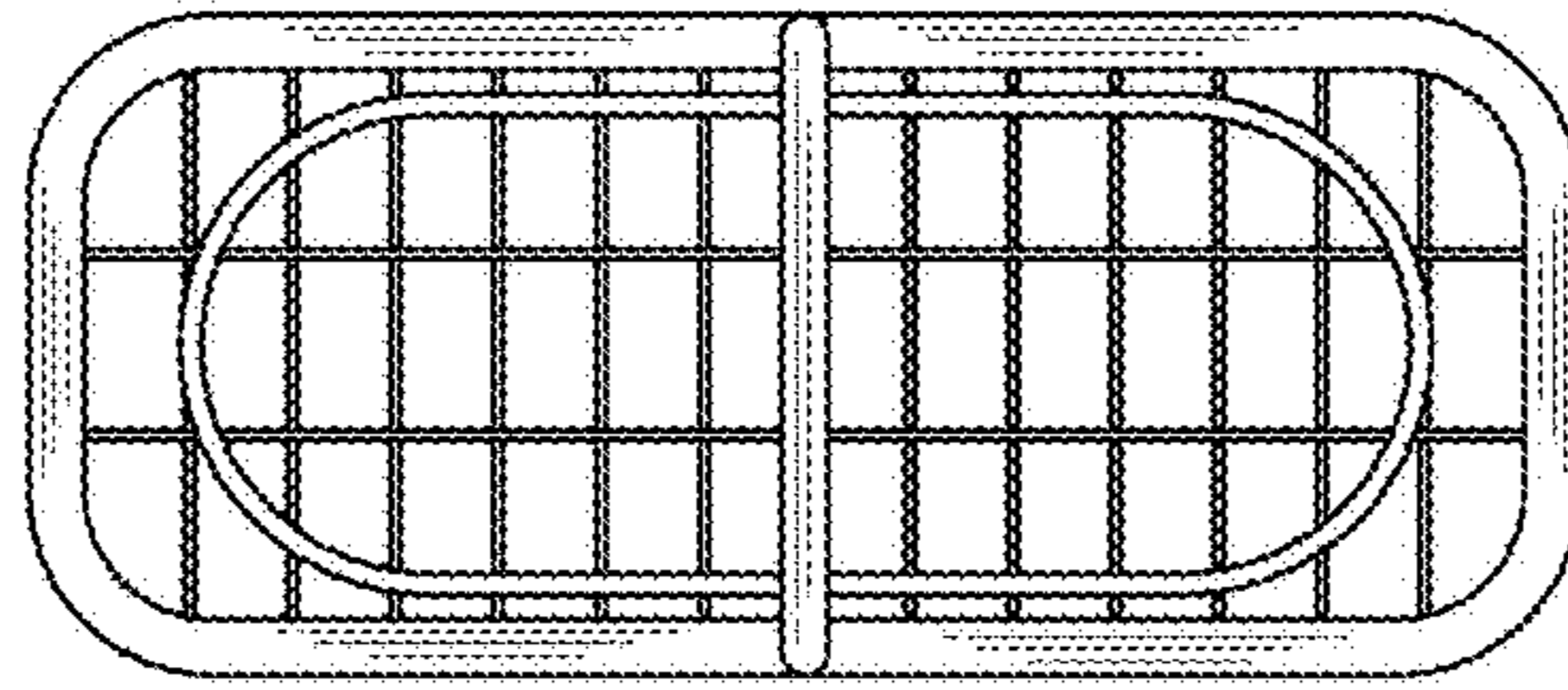


FIG. 6

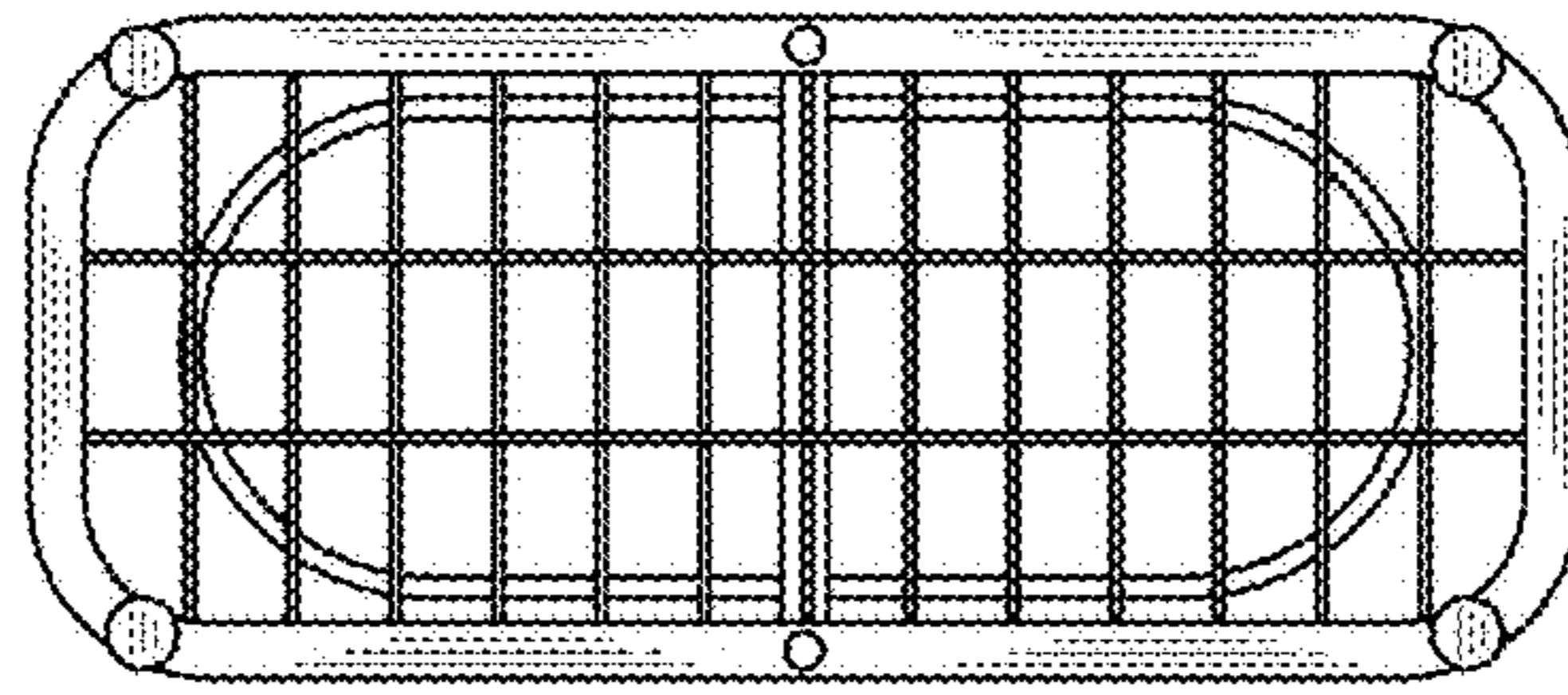


FIG. 7