



US00D988449S

(12) **United States Design Patent**  
**Parsons et al.**

(10) **Patent No.:** **US D988,449 S**  
(45) **Date of Patent:** **\*\* Jun. 6, 2023**

(54) **GOLF CLUB HEAD**

OTHER PUBLICATIONS

(71) Applicant: **PARSONS XTREME GOLF, LLC**,  
Scottsdale, AZ (US)

Golf irons google search; google.com; Mar. 3, 2023.\*  
Pxx irons google search; google.com; Mar. 3, 2023.\*  
pxg.com; Mar. 3, 2023.\*

(72) Inventors: **Robert R. Parsons**, Scottsdale, AZ  
(US); **Michael R. Nicolette**, Scottsdale,  
AZ (US); **Bradley D. Schweigert**, Cave  
Creek, AZ (US)

*Primary Examiner* — Mitchell I. Siegel

(73) Assignee: **PARSONS XTREME GOLF, LLC**,  
Scottsdale, AZ (US)

(57) **CLAIM**

The ornamental design for a golf club head, as shown and  
described.

(\*\*) Term: **15 Years**

**DESCRIPTION**

(21) Appl. No.: **29/883,956**

(22) Filed: **Feb. 6, 2023**

**Related U.S. Application Data**

(63) Continuation-in-part of application No. 29/855,738,  
filed on Oct. 6, 2022, which is a continuation-in-part  
of application No. 29/841,818, filed on Jun. 8, 2022,  
now Pat. No. Des. 980,360.

(51) **LOC (14) Cl.** ..... **21-02**

(52) **U.S. Cl.**  
USPC ..... **D21/759**

(58) **Field of Classification Search**  
USPC ..... D21/747-751, 759  
CPC ..... A63B 53/00; A63B 53/02; A63B 53/04;  
A63B 53/047; A63B 53/0475; A63B  
(Continued)

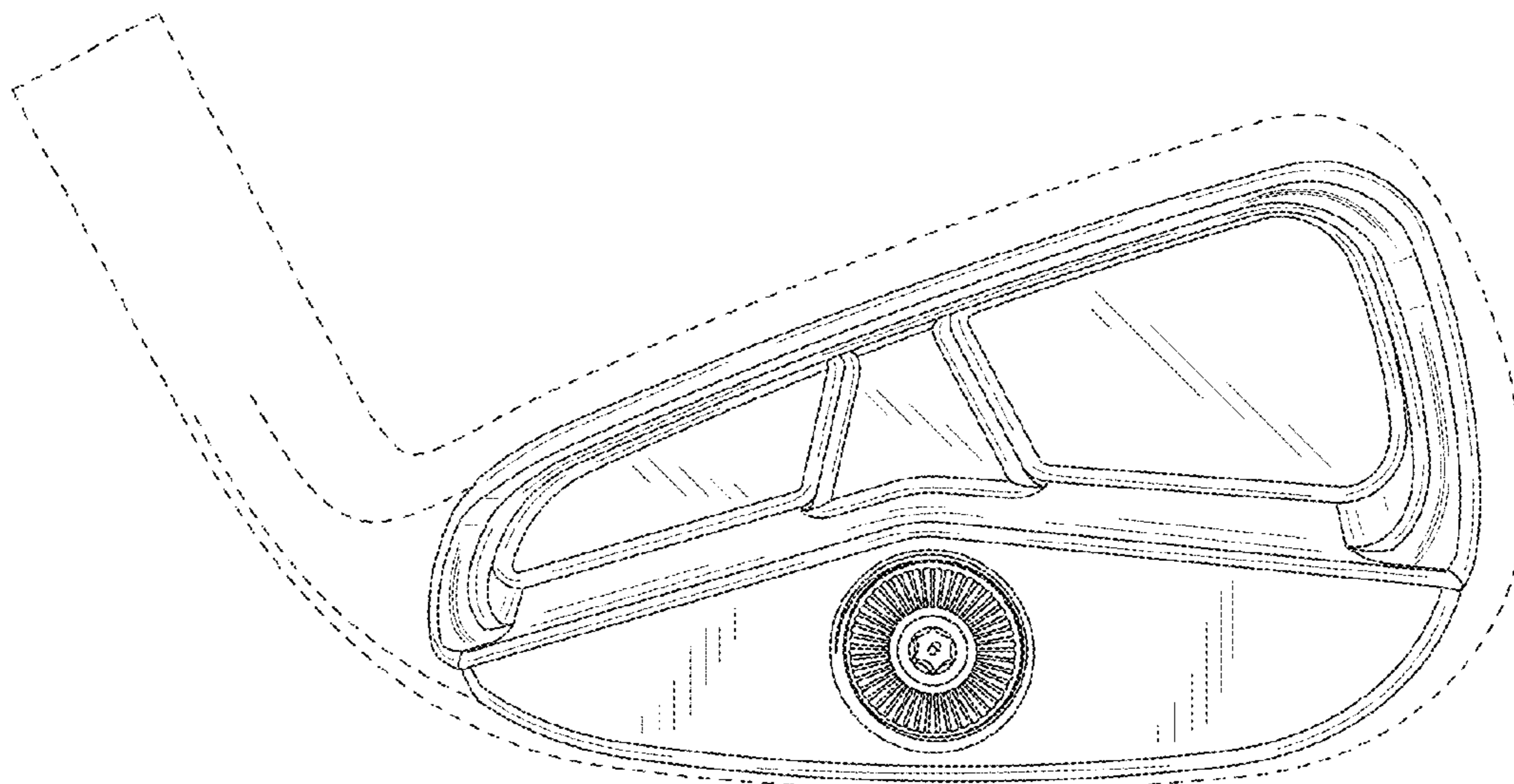
(56) **References Cited**

**U.S. PATENT DOCUMENTS**

1,133,129 A 3/1915 Govan  
D164,469 S 9/1951 Behrendt  
D175,107 S 7/1955 Gordon  
(Continued)

FIG. 1 is a top perspective view of a golf club head  
according to a first embodiment;  
FIG. 2 is a bottom perspective view of the golf club head of  
FIG. 1;  
FIG. 3 is a rear elevational view of the golf club head of FIG.  
1;  
FIG. 4 is a front elevational view of the golf club head of  
FIG. 1;  
FIG. 5 is a top view of the golf club head of FIG. 1;  
FIG. 6 is a bottom view of the golf club head of FIG. 1;  
FIG. 7 is a left side view of the golf club head of FIG. 1;  
FIG. 8 is a right side view of the golf club head of FIG. 1;  
FIG. 9 is a top perspective view of a golf club head  
according to a second embodiment;  
FIG. 10 is a bottom perspective view of the golf club head  
of FIG. 9;  
FIG. 11 is a rear elevational view of the golf club head of  
FIG. 9;  
FIG. 12 is a front elevational view of the golf club head of  
FIG. 9;  
FIG. 13 is a top view of the golf club head of FIG. 9;  
FIG. 14 is a bottom view of the golf club head of FIG. 9;  
FIG. 15 is a left side view of the golf club head of FIG. 9;  
and,  
FIG. 16 is a right side view of the golf club head of FIG. 9.  
The broken lines shown on the drawings form no part of the  
claimed design.

**1 Claim, 8 Drawing Sheets**



(58) **Field of Classification Search**  
 CPC ..... 2053/0479; A63B 2053/0483; A63B  
 2053/0445; A63B 60/00; A63B 60/46  
 See application file for complete search history.

(56) **References Cited**

U.S. PATENT DOCUMENTS

3,020,048 A 2/1962 Carroll  
 D203,936 S 3/1966 Long  
 D215,101 S 9/1969 Sabat  
 D234,963 S 4/1975 Hirata  
 D239,550 S 4/1976 Timbrook  
 D240,054 S 5/1976 Meissler  
 D244,792 S 6/1977 Gelinas  
 D250,136 S 10/1978 Gelinas  
 D261,167 S 10/1981 Swanson  
 D294,617 S 3/1988 Perkins  
 4,754,977 A 7/1988 Sahm  
 D298,643 S 11/1988 Mitsui  
 4,824,116 A 4/1989 Nagamoto et al.  
 4,988,104 A 1/1991 Shiotani et al.  
 5,158,296 A 10/1992 Lee  
 5,176,384 A 1/1993 Sata et al.  
 5,213,328 A 5/1993 Long et al.  
 D336,672 S 6/1993 Gorman  
 D346,840 S 5/1994 Fenton  
 D353,862 S 12/1994 Saito  
 D357,520 S 4/1995 Helmstetter et al.  
 5,419,560 A 5/1995 Bamber  
 5,425,535 A 6/1995 Gee  
 D361,358 S 8/1995 Simmons  
 5,447,311 A 9/1995 Viollaz et al.  
 5,451,056 A 9/1995 Manning  
 D362,884 S 10/1995 Blough et al.  
 D362,885 S 10/1995 Blough et al.  
 D362,887 S 10/1995 Blough et al.  
 D370,514 S 6/1996 Blough et al.  
 5,540,437 A 7/1996 Bamber  
 D379,106 S 5/1997 Maltby  
 5,637,045 A 6/1997 Igarashi  
 5,669,830 A 9/1997 Bamber  
 D389,540 S 1/1998 Mendenhall  
 D389,541 S 1/1998 Huan-Chiang  
 D395,476 S 6/1998 Pond et al.  
 5,766,091 A 6/1998 Humphrey et al.  
 5,766,092 A 6/1998 Mimeur et al.  
 D399,277 S 10/1998 Ezaki  
 5,827,132 A 10/1998 Bamber  
 D408,485 S 4/1999 Takahashi et al.  
 5,899,821 A 5/1999 Hsu et al.  
 D413,369 S \* 8/1999 Peng ..... D21/748  
 5,935,016 A 8/1999 Antonious  
 D414,535 S 9/1999 Mertens  
 D421,080 S 2/2000 Chen  
 D426,276 S 6/2000 Besnard et al.  
 D426,476 S 6/2000 Goss  
 6,077,171 A 6/2000 Yoneyama  
 D442,659 S 5/2001 Kubica et al.  
 D443,008 S 5/2001 Kubica et al.  
 D445,862 S 7/2001 Ford  
 6,290,609 B1 9/2001 Takeda  
 D449,866 S 10/2001 Miller  
 D457,211 S 5/2002 Bakke  
 D458,328 S 6/2002 Solheim et al.  
 D468,382 S 1/2003 Wahl et al.  
 D469,833 S 2/2003 Roberts et al.  
 D470,554 S 2/2003 Truesdale  
 D473,605 S 4/2003 Petersen et al.  
 D475,107 S \* 5/2003 Madore ..... D21/759  
 D476,048 S 6/2003 Cleveland et al.  
 D478,949 S 8/2003 DeLaCruz  
 D479,568 S 9/2003 Rodgers et al.  
 6,638,182 B2 10/2003 Kosmatka  
 D487,127 S \* 2/2004 Madore ..... D21/747  
 6,695,714 B1 2/2004 Bliss et al.  
 6,702,693 B2 3/2004 Bamber

D488,201 S 4/2004 Wahl et al.  
 D491,620 S \* 6/2004 Nishitani ..... D21/747  
 D492,376 S 6/2004 Nicolette et al.  
 D494,240 S 8/2004 Schweigert  
 D494,648 S 8/2004 Schweigert et al.  
 6,780,123 B2 8/2004 Hasebe  
 D496,973 S \* 10/2004 Wahl ..... D21/749  
 D497,963 S 11/2004 Toulon et al.  
 6,811,496 B2 11/2004 Wahl et al.  
 D499,779 S 12/2004 Mahaffey et al.  
 D500,350 S 12/2004 Schweigert et al.  
 D500,351 S 12/2004 Schweigert et al.  
 D502,237 S 2/2005 Schweigert et al.  
 D502,975 S 3/2005 Schweigert et al.  
 D503,204 S 3/2005 Nicolette et al.  
 D504,925 S 5/2005 Schweigert et al.  
 D505,171 S 5/2005 Schweigert et al.  
 D507,029 S 7/2005 Burrows  
 D507,320 S 7/2005 Roberts et al.  
 D507,614 S 7/2005 Schweigert et al.  
 D508,099 S 8/2005 Schweigert et al.  
 D508,545 S 8/2005 Roberts et al.  
 6,923,733 B2 8/2005 Chen  
 D514,183 S 1/2006 Schweigert et al.  
 6,984,180 B2 1/2006 Hasebe  
 D516,649 S \* 3/2006 Imamoto ..... D21/747  
 D516,650 S 3/2006 Wolfe et al.  
 D518,538 S \* 4/2006 Ines ..... D21/747  
 D518,863 S 4/2006 Motoyoshi et al.  
 D523,501 S 6/2006 Nicolette et al.  
 D523,917 S 6/2006 Wolfe et al.  
 D524,889 S 7/2006 Yu et al.  
 D530,759 S 10/2006 Nicolette et al.  
 D530,760 S 10/2006 Schweigert et al.  
 7,121,956 B2 10/2006 Lo  
 7,128,663 B2 10/2006 Bamber  
 D531,688 S 11/2006 Frame et al.  
 D532,849 S 11/2006 Nicolette et al.  
 7,137,903 B2 11/2006 Best et al.  
 D533,610 S 12/2006 Cleveland  
 D534,228 S 12/2006 Nicolette et al.  
 D534,595 S \* 1/2007 Hasebe ..... D21/747  
 D534,597 S 1/2007 Nicolette et al.  
 7,156,751 B2 1/2007 Wahl et al.  
 D536,759 S 2/2007 Schweigert et al.  
 D537,494 S 2/2007 Jertson et al.  
 7,182,698 B2 2/2007 Tseng  
 D538,366 S 3/2007 Nicolette et al.  
 D539,864 S 4/2007 Nicolette et al.  
 D540,898 S \* 4/2007 Solheim ..... D21/749  
 D541,360 S 4/2007 Schweigert et al.  
 7,207,900 B2 4/2007 Nicolette et al.  
 D543,601 S \* 5/2007 Kawami ..... D21/759  
 D544,056 S 6/2007 Nicolette et al.  
 D545,387 S 6/2007 Roberts et al.  
 D547,410 S 7/2007 Nicolette et al.  
 D555,219 S 11/2007 Lin  
 7,303,486 B2 12/2007 Imamoto  
 D559,932 S 1/2008 Belmont  
 D561,280 S 2/2008 Rollinson  
 D561,855 S 2/2008 Schweigert et al.  
 D562,925 S 2/2008 Schweigert et al.  
 7,351,164 B2 4/2008 Schweigert et al.  
 D570,435 S 6/2008 Sanchez et al.  
 D570,935 S 6/2008 Nicolette et al.  
 D570,936 S 6/2008 Schweigert et al.  
 D570,942 S 6/2008 Chen et al.  
 D571,422 S 6/2008 Schweigert et al.  
 D571,425 S 6/2008 Chen et al.  
 D571,427 S 6/2008 Schweigert et al.  
 D571,881 S 6/2008 Nicolette et al.  
 D572,326 S 7/2008 Schweigert et al.  
 D572,329 S 7/2008 Nicolette et al.  
 D573,219 S 7/2008 Schweigert et al.  
 7,396,299 B2 7/2008 Nicolette et al.  
 7,413,518 B2 8/2008 Cole et al.  
 D577,783 S 9/2008 Schweigert et al.  
 D578,590 S 10/2008 Schweigert et al.  
 D581,000 S 11/2008 Nicolette et al.



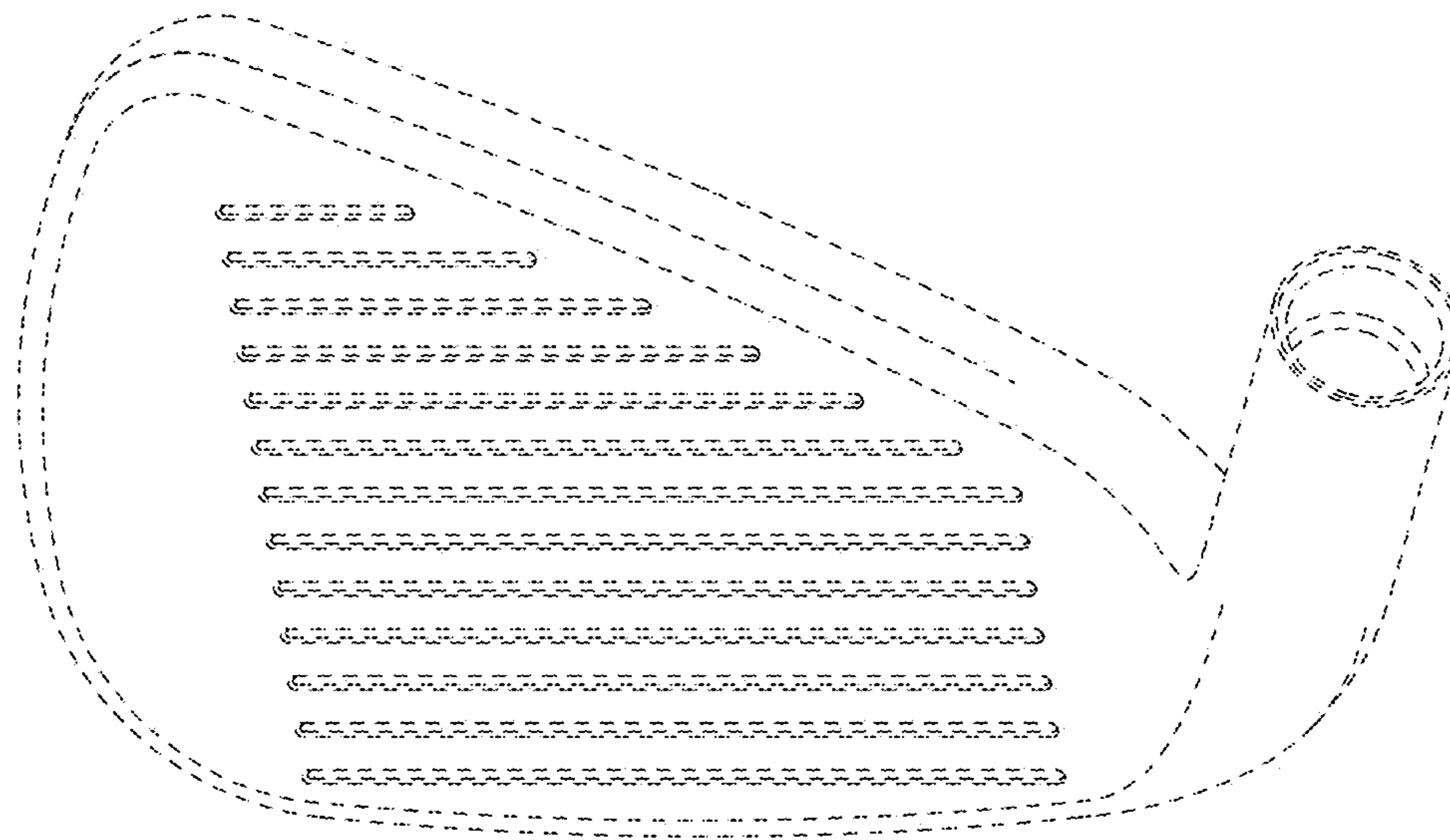
(56)

**References Cited**

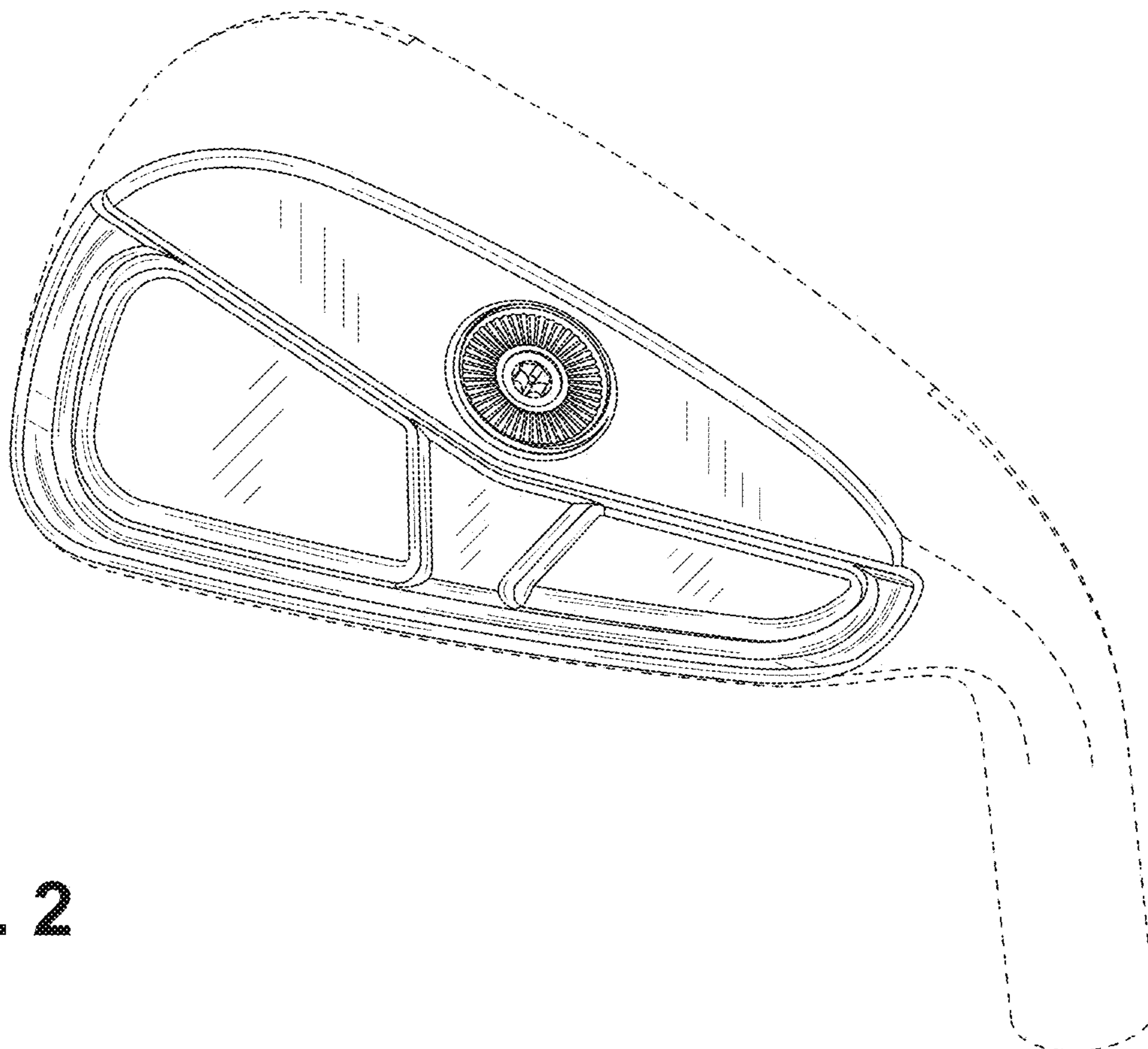
## U.S. PATENT DOCUMENTS

D961,709	S *	8/2022	Parsons .....	D21/759
D962,369	S *	8/2022	Parsons .....	D21/747
D962,370	S	8/2022	Kirtley et al.	
D962,371	S *	8/2022	Parsons .....	D21/747
D962,372	S *	8/2022	Nicolette .....	D21/747
D973,814	S *	12/2022	Nicolette .....	D21/759
D973,815	S *	12/2022	Nicolette .....	D21/759
D980,360	S *	3/2023	Parsons .....	D21/747
2002/0107087	A1	8/2002	Fagot	
2003/0139226	A1	7/2003	Cheng et al.	
2004/0204263	A1	10/2004	Fagot et al.	
2005/0009632	A1	1/2005	Schweigert et al.	
2005/0014573	A1	1/2005	Lee	
2005/0096148	A1	5/2005	Noble et al.	
2005/0277485	A1	12/2005	Hou et al.	
2007/0032308	A1	2/2007	Fagot et al.	
2007/0225084	A1	9/2007	Schweigert et al.	
2008/0058113	A1	3/2008	Nicolette et al.	
2008/0300065	A1	12/2008	Schweigert	
2009/0029790	A1	1/2009	Nicolette et al.	
2010/0130306	A1	5/2010	Schweigert	
2010/0178999	A1	7/2010	Nicolette et al.	
2011/0111883	A1	5/2011	Cackett	
2011/0165963	A1	7/2011	Cackett et al.	
2011/0269567	A1	11/2011	Ban et al.	
2011/0294596	A1	12/2011	Ban	
2013/0288823	A1	10/2013	Hebreo	
2014/0274441	A1	9/2014	Greer	

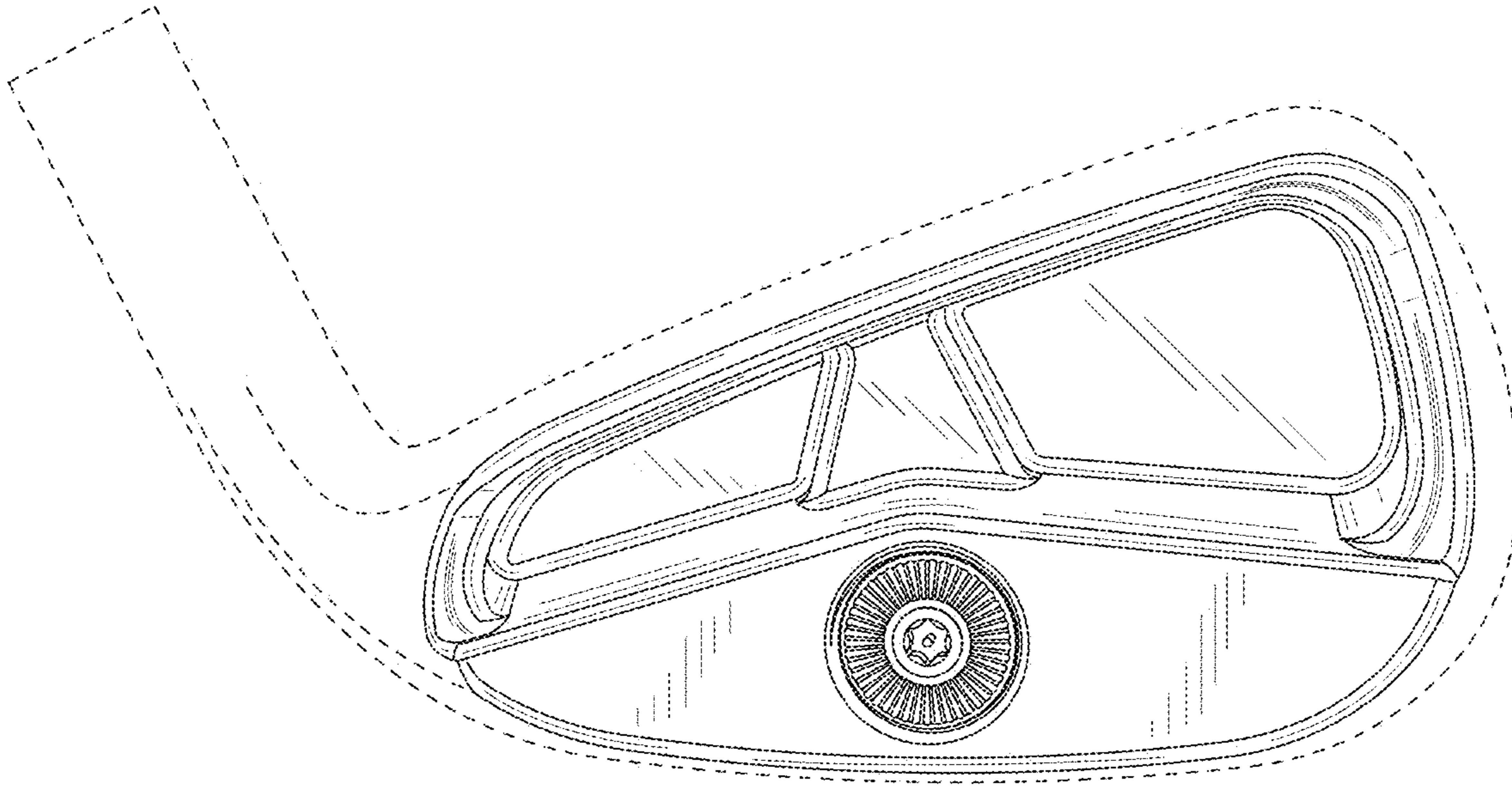
\* cited by examiner



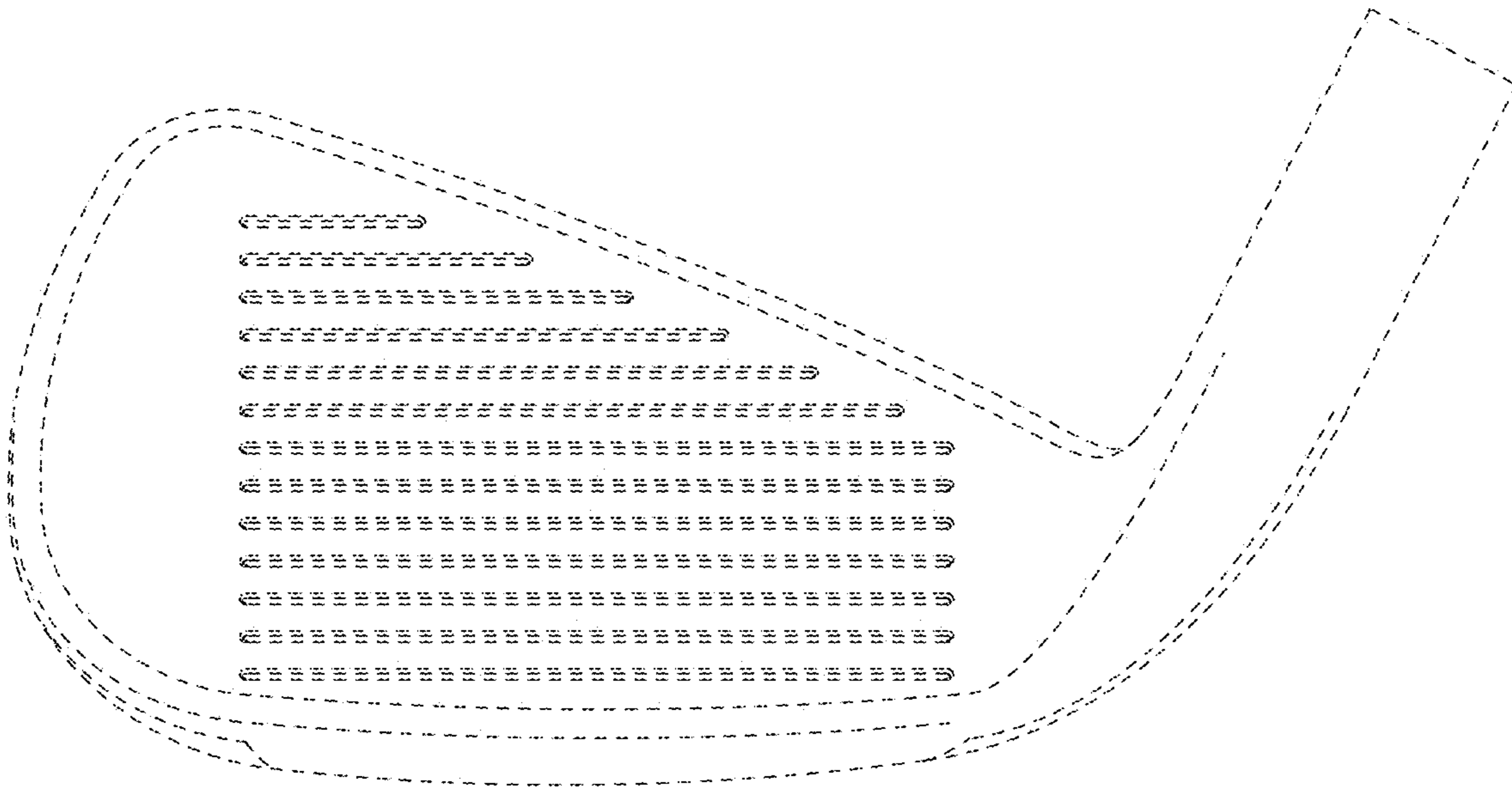
**FIG. 1**



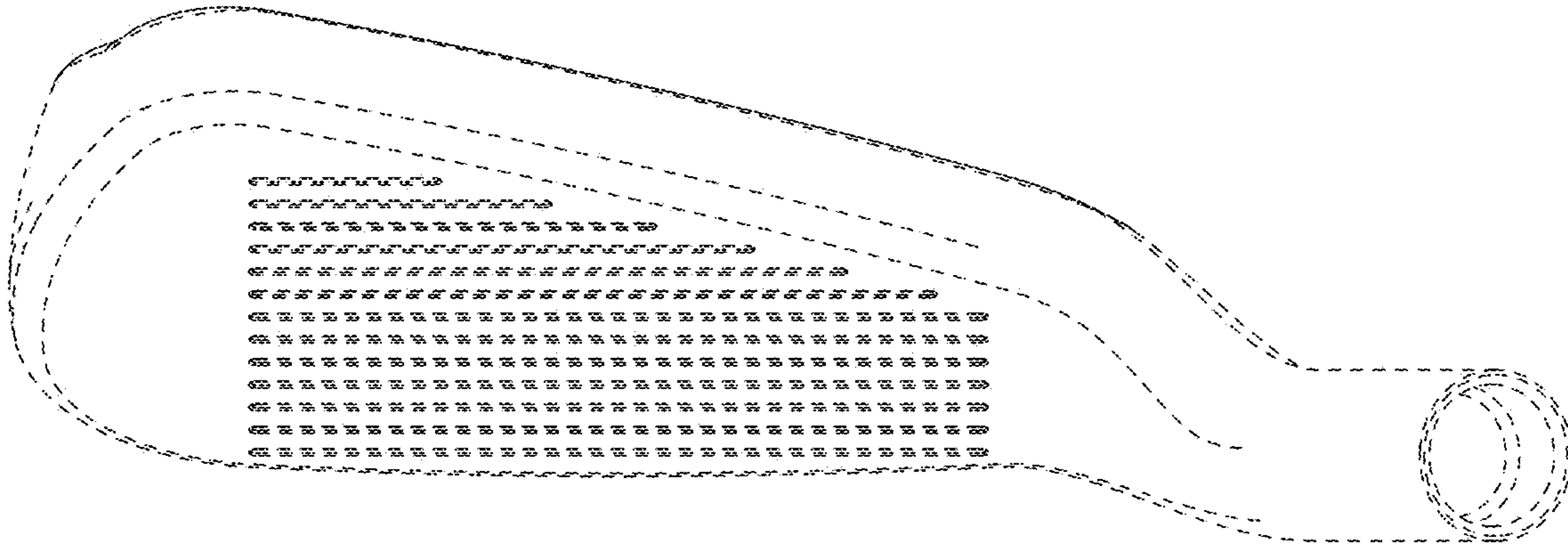
**FIG. 2**



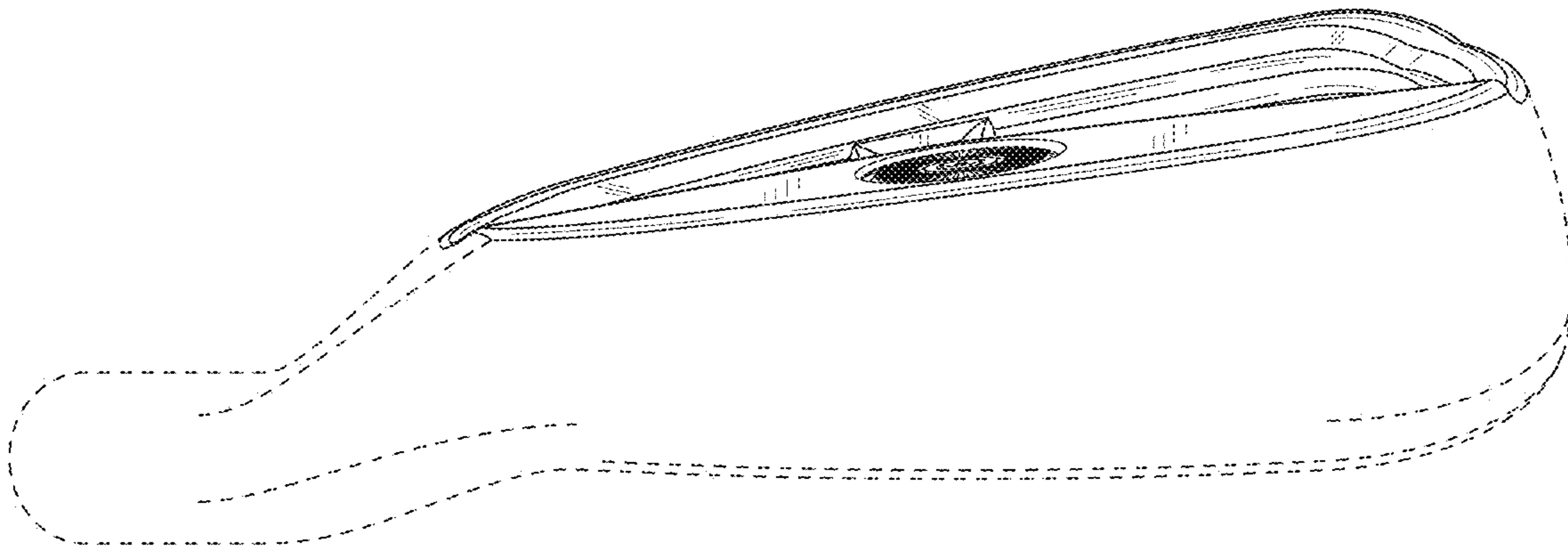
**FIG. 3**



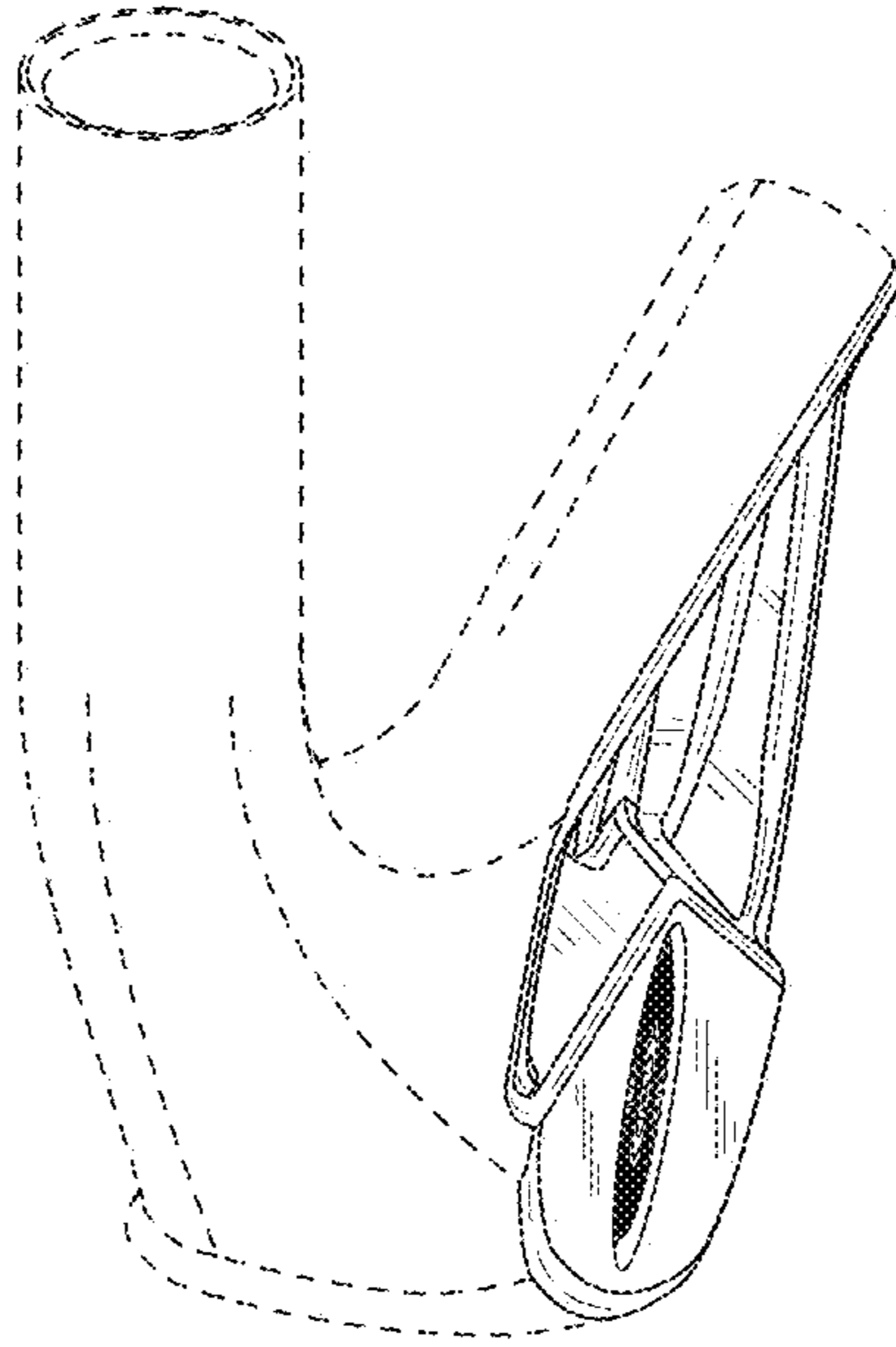
**FIG. 4**



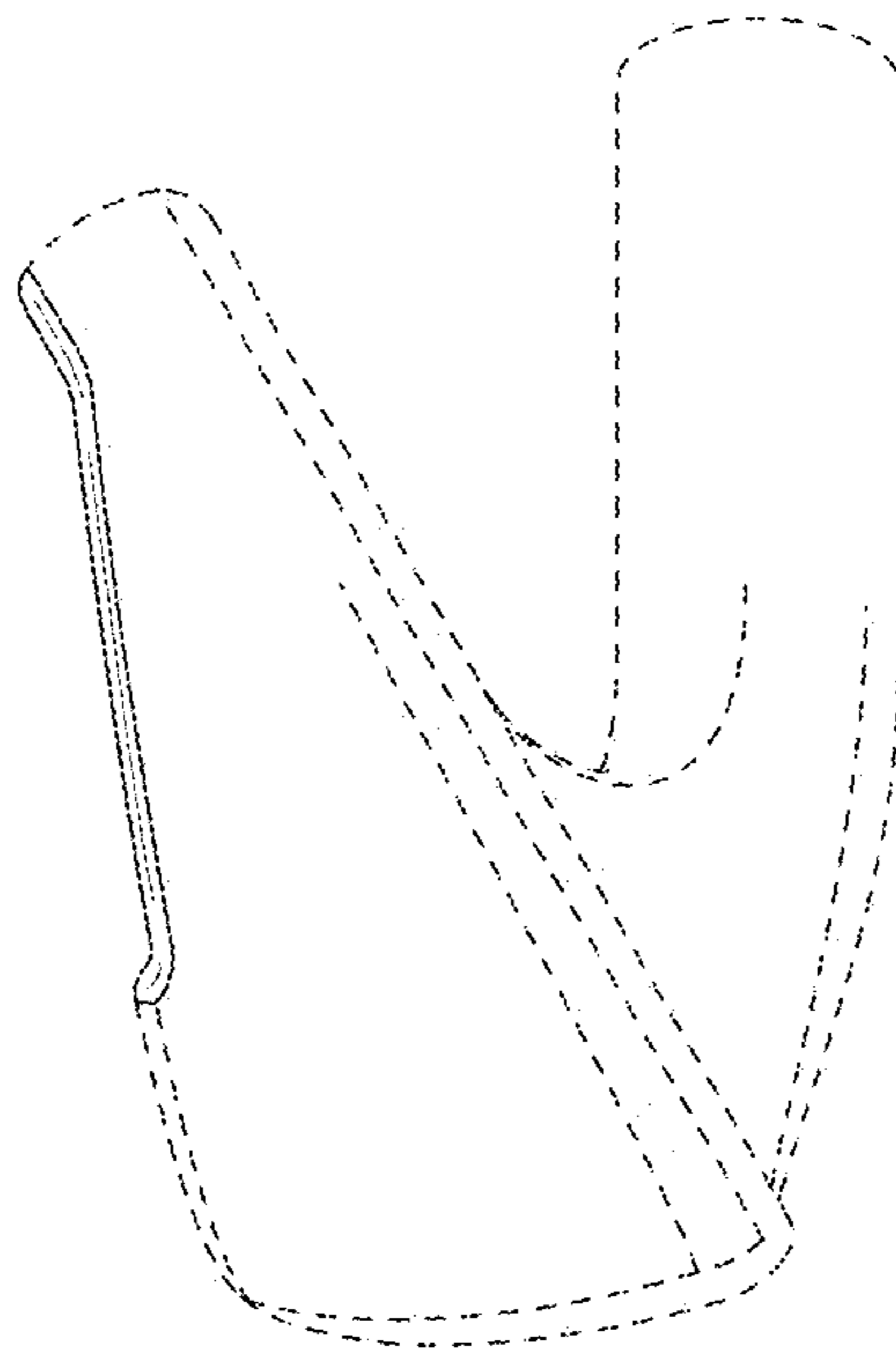
**FIG. 5**



**FIG. 6**

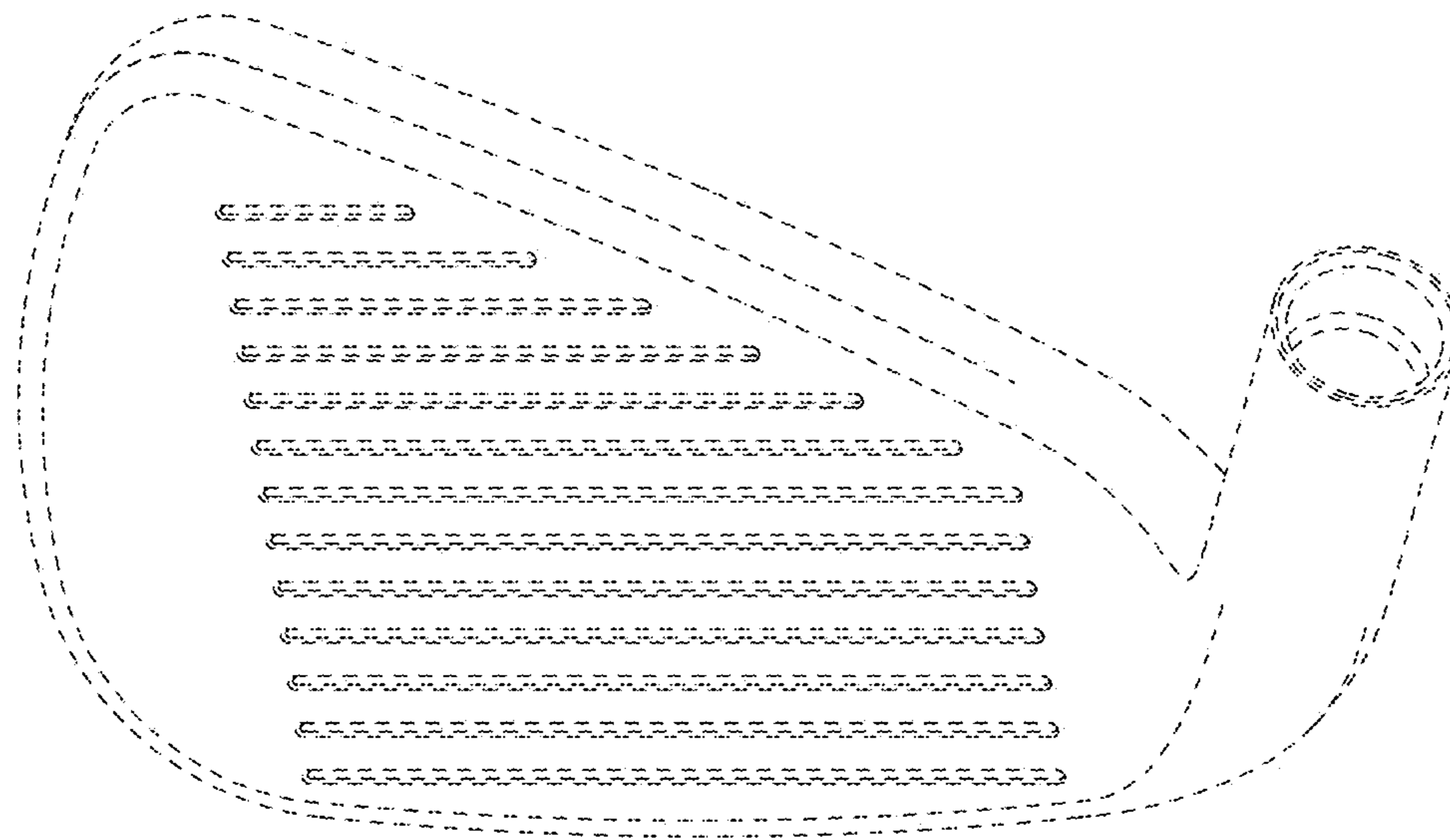


**FIG. 7**

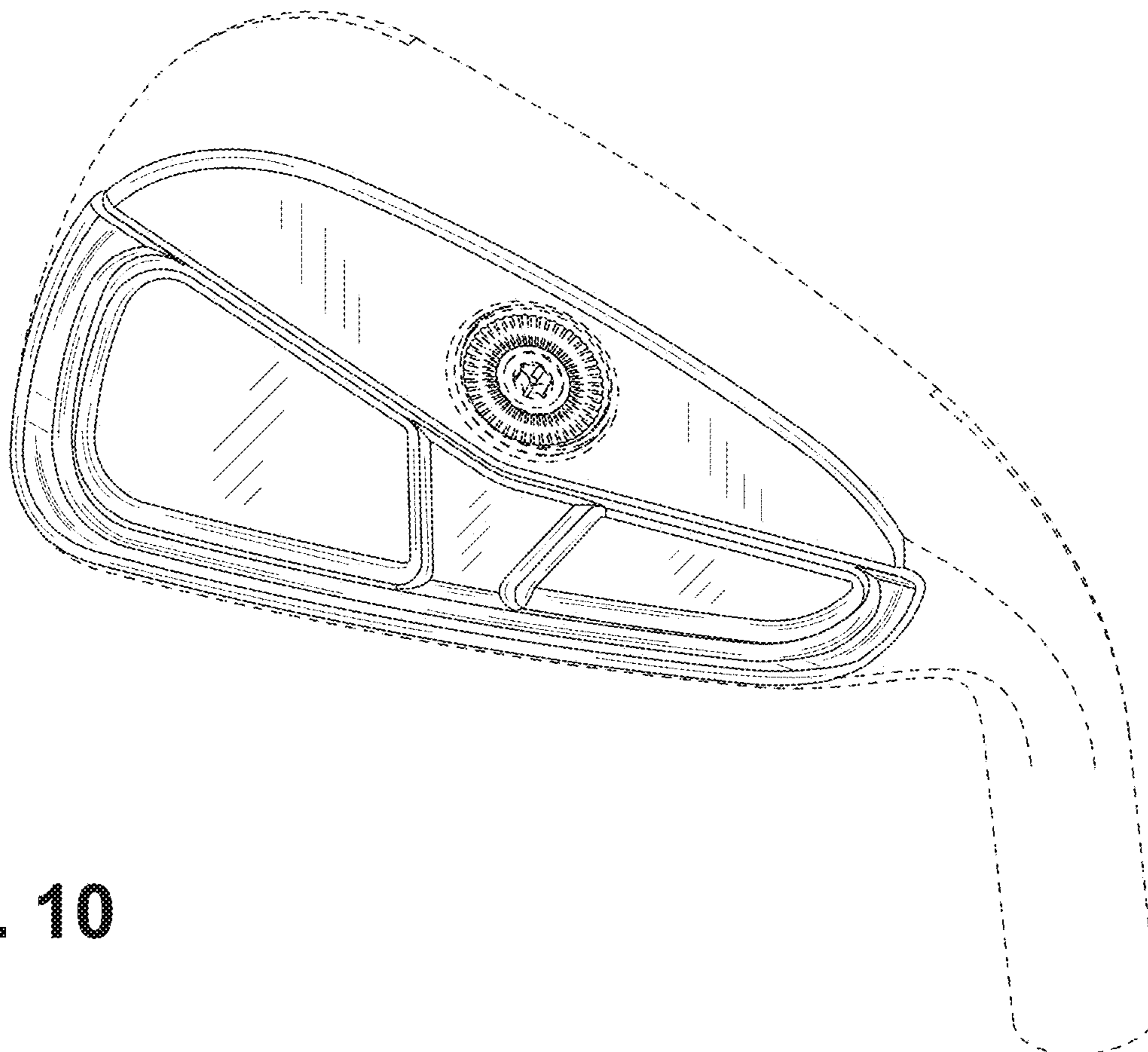


**FIG. 8**

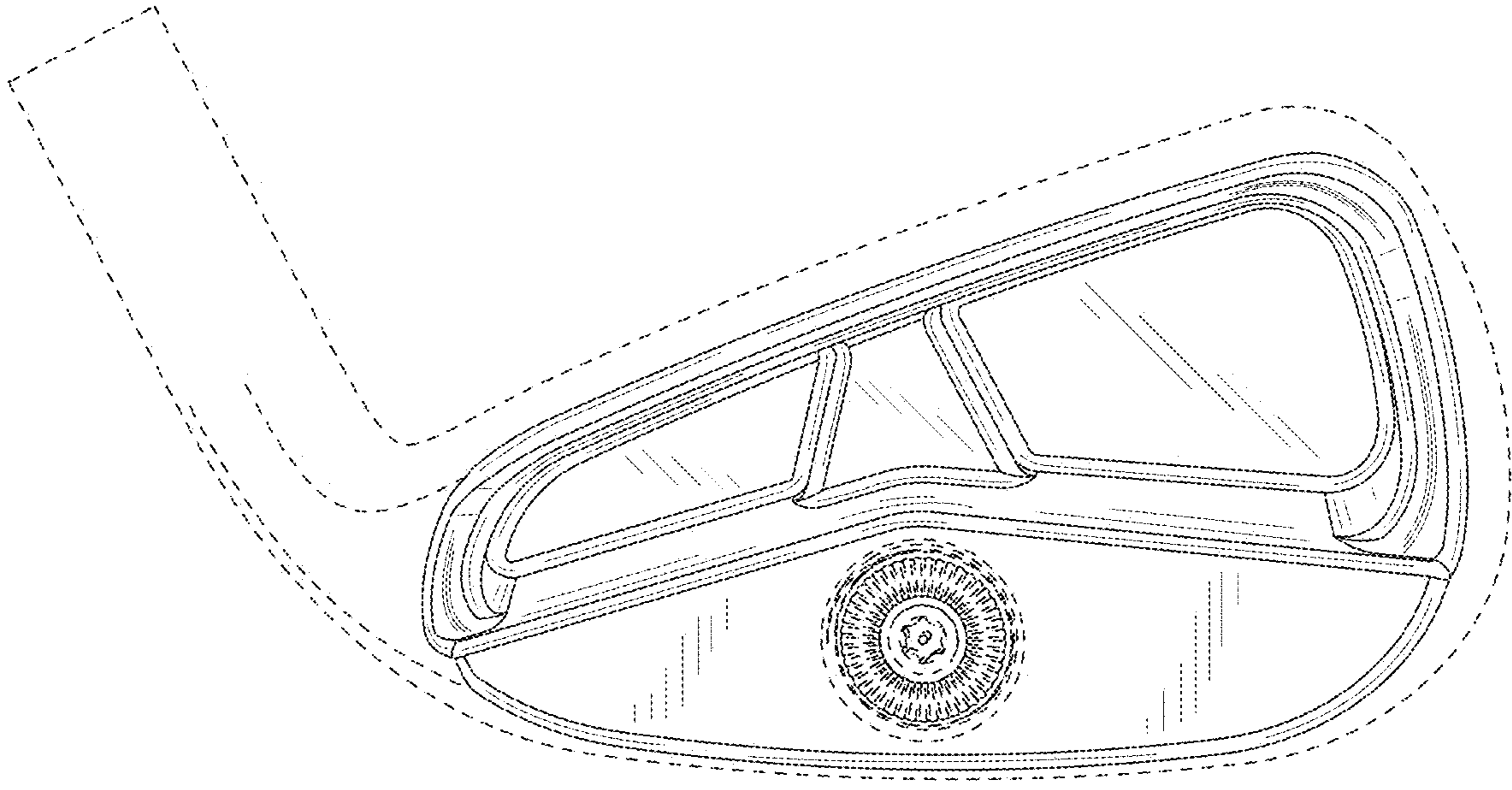




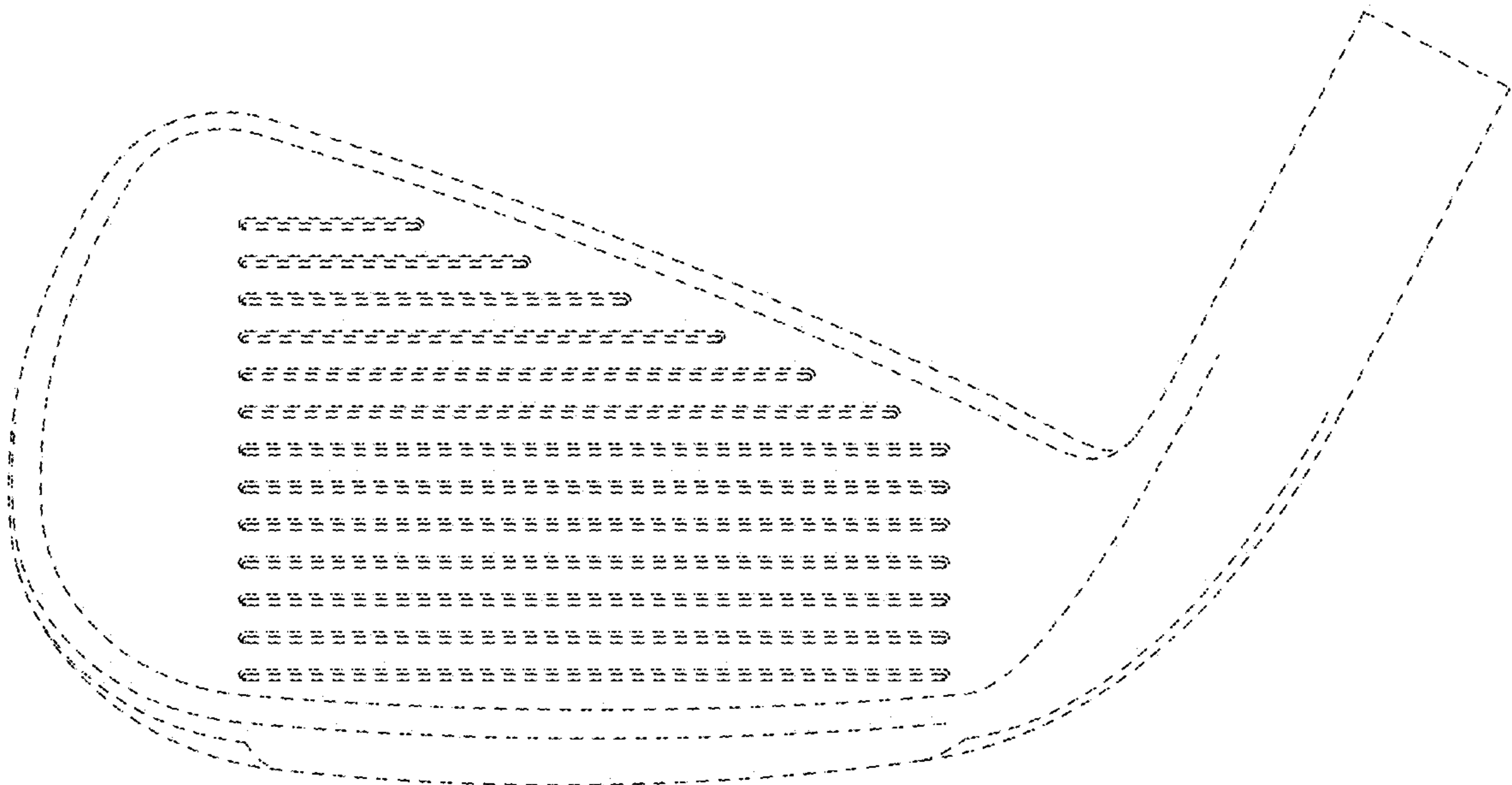
**FIG. 9**



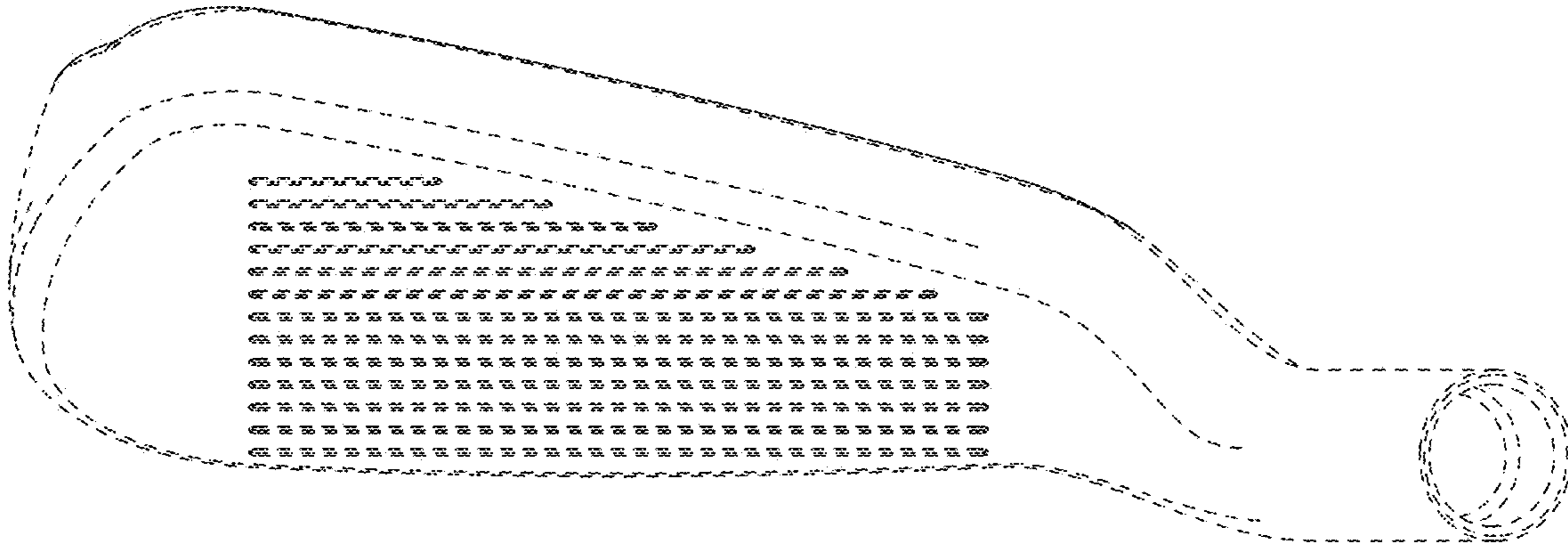
**FIG. 10**



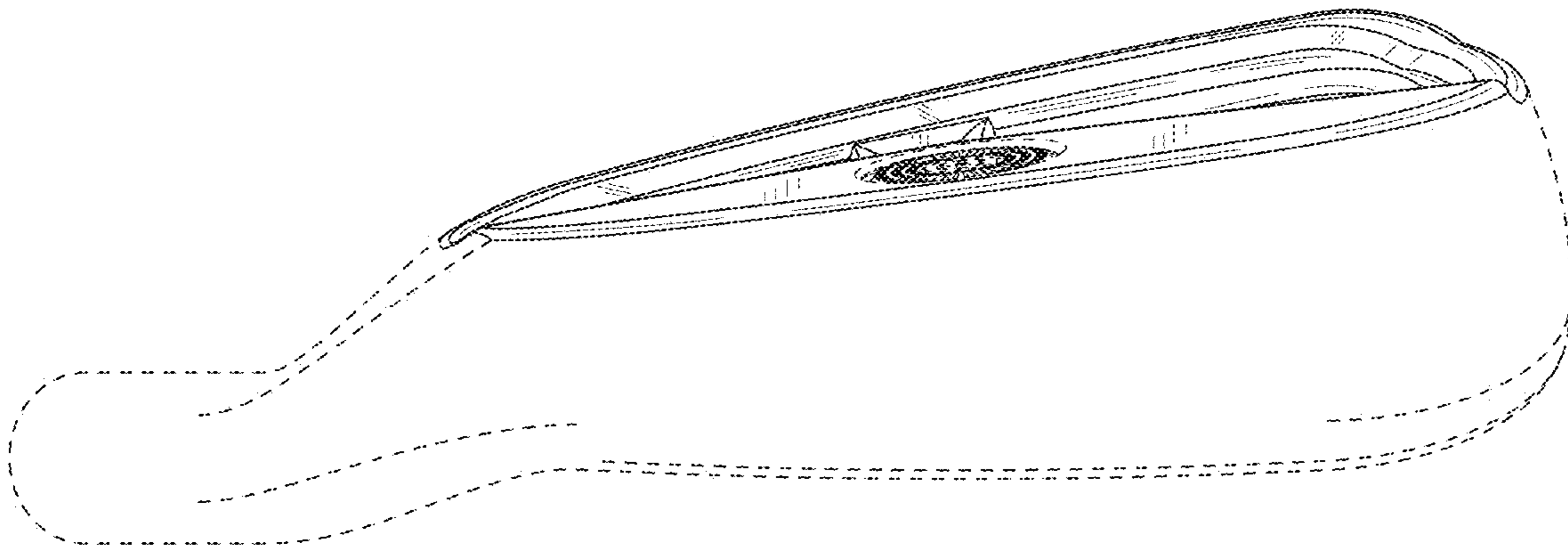
**FIG. 11**



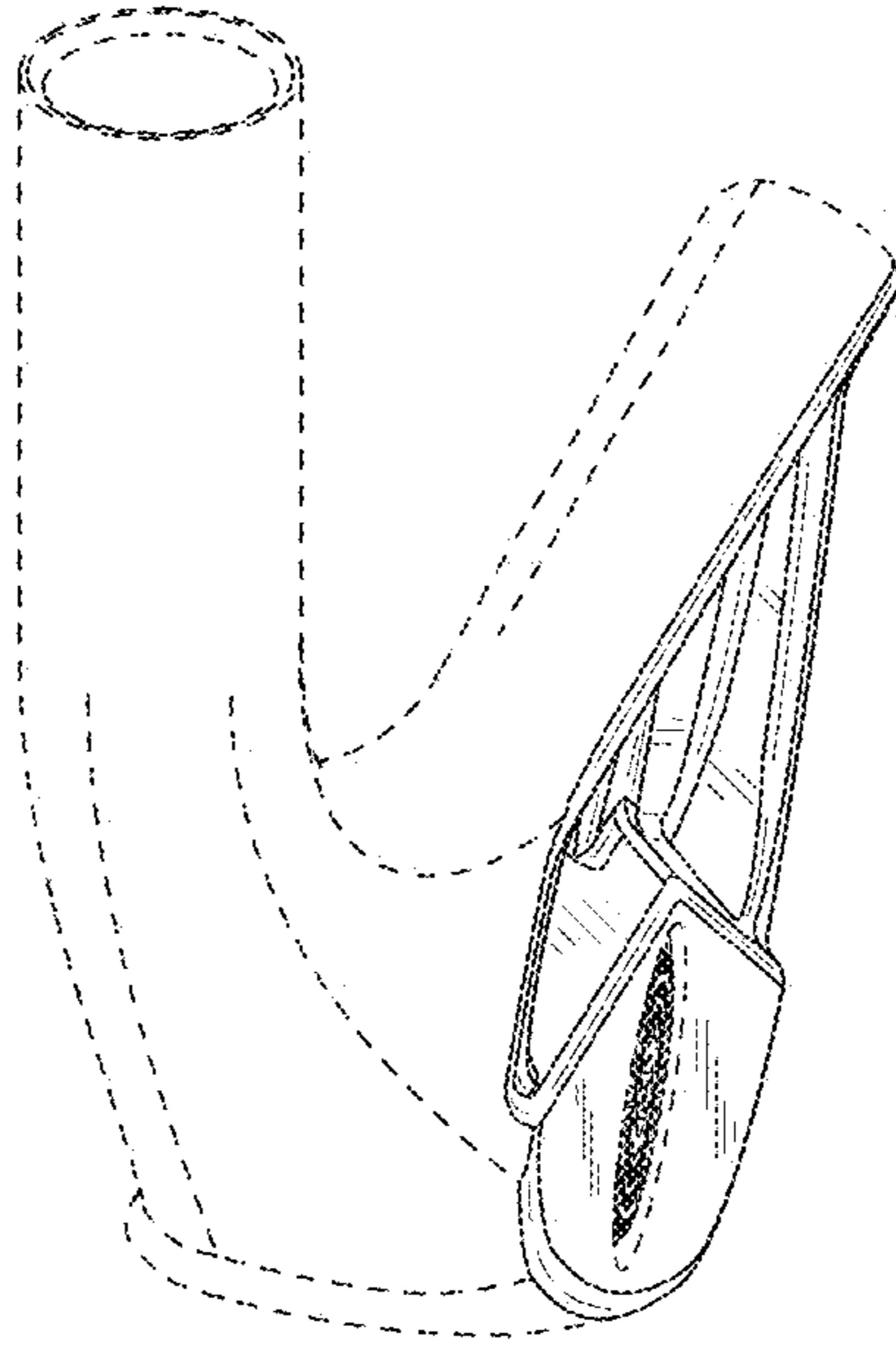
**FIG. 12**



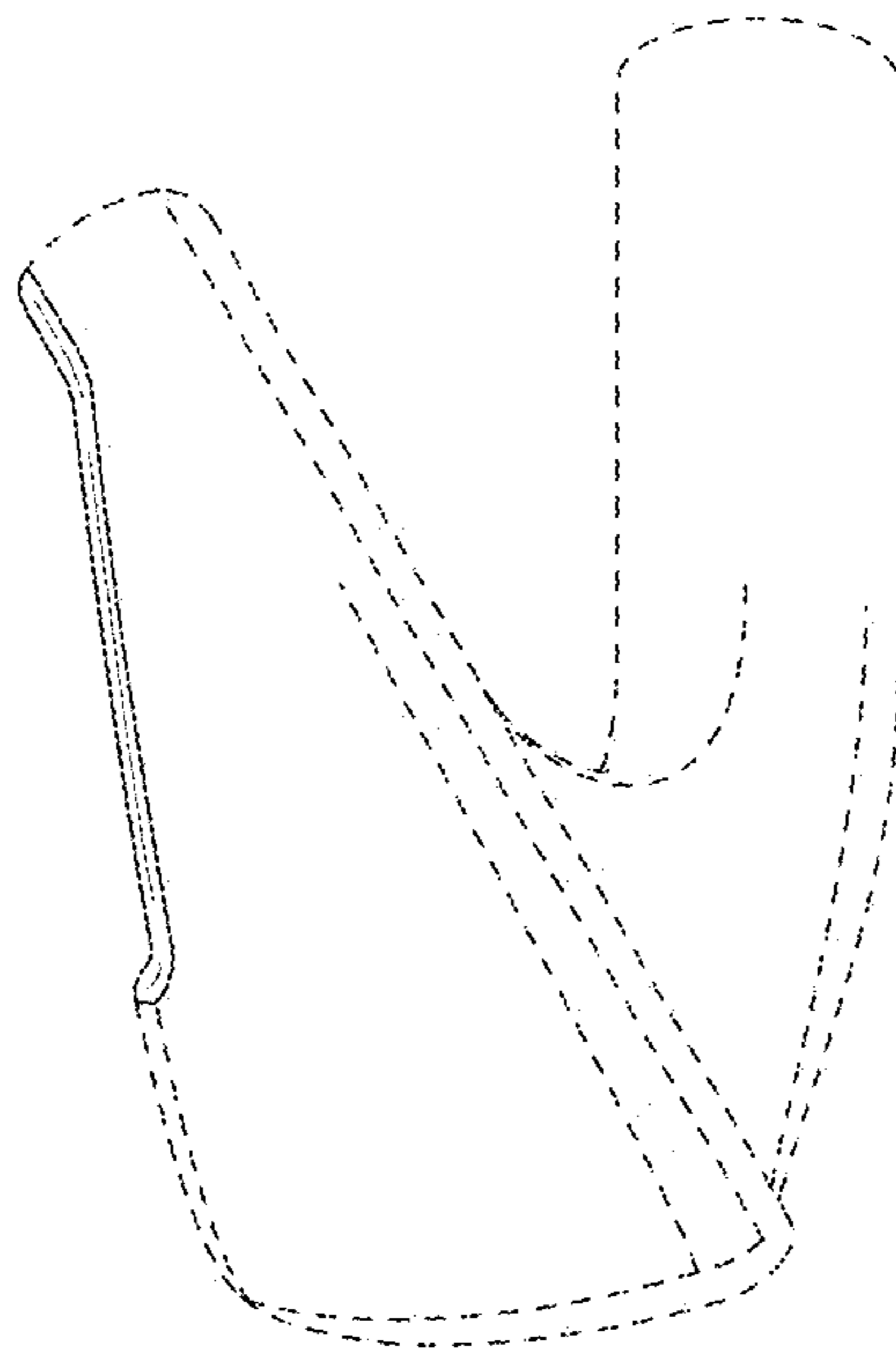
**FIG. 13**



**FIG. 14**



**FIG. 15**



**FIG. 16**