



US00D988447S

(12) **United States Design Patent**
Tsuchihashi

(10) **Patent No.:** **US D988,447 S**

(45) **Date of Patent:** **** Jun. 6, 2023**

(54) **HEAD FOR A GOLF CLUB**

(71) Applicant: **SUMITOMO RUBBER INDUSTRIES, LTD.**, Kobe (JP)

(72) Inventor: **Satoko Tsuchihashi**, Kobe (JP)

(73) Assignee: **SUMITOMO RUBBER INDUSTRIES, LTD.**, Kobe (JP)

(**) Term: **15 Years**

(21) Appl. No.: **29/802,303**

(22) Filed: **Aug. 4, 2021**

(30) **Foreign Application Priority Data**

Feb. 5, 2021 (JP) 2021-002541 D

(51) **LOC (14) Cl.** **21-02**

(52) **U.S. Cl.**
USPC **D21/759**

(58) **Field of Classification Search**
USPC D21/733, 752, 759
CPC A63B 53/00; A63B 53/04; A63B 53/0466;
A63B 2053/0445; A63B 2053/0433;
A63B 2053/0491; A63B 2053/0437;
A63B 60/00; A63B 60/46
See application file for complete search history.

(56) **References Cited**

U.S. PATENT DOCUMENTS

D532,470 S * 11/2006 Oldknow D21/752
D532,853 S * 11/2006 Oldknow D21/752
D543,600 S * 5/2007 Oldknow D21/759
D571,884 S * 6/2008 Oldknow D21/759
D579,507 S * 10/2008 Llewellyn D21/759

D617,859 S * 6/2010 Llewellyn D21/752
D650,876 S * 12/2011 Llewellyn D21/752
D827,067 S * 8/2018 Becktor D21/752
D827,073 S * 8/2018 Seagram D21/759
D861,097 S * 9/2019 Asatsuma D21/759
D909,511 S * 2/2021 Cyrulik D21/752
D909,512 S * 2/2021 Cyrulik D21/752
D923,731 S * 6/2021 Agrella D21/752

OTHER PUBLICATIONS

Golf driver and woods google search; goggle.com; Feb. 16, 2023.*
Golf hybrids google search; goggle.com; Feb. 16, 2023.*
us.dunlopsports.com; XXIO clubs; Feb. 16, 2023.*

* cited by examiner

Primary Examiner — Mitchell I. Siegel

(74) *Attorney, Agent, or Firm* — Birch, Stewart, Kolasch & Birch, LLP

(57) **CLAIM**

The ornamental design for a head for a golf club, as shown and described.

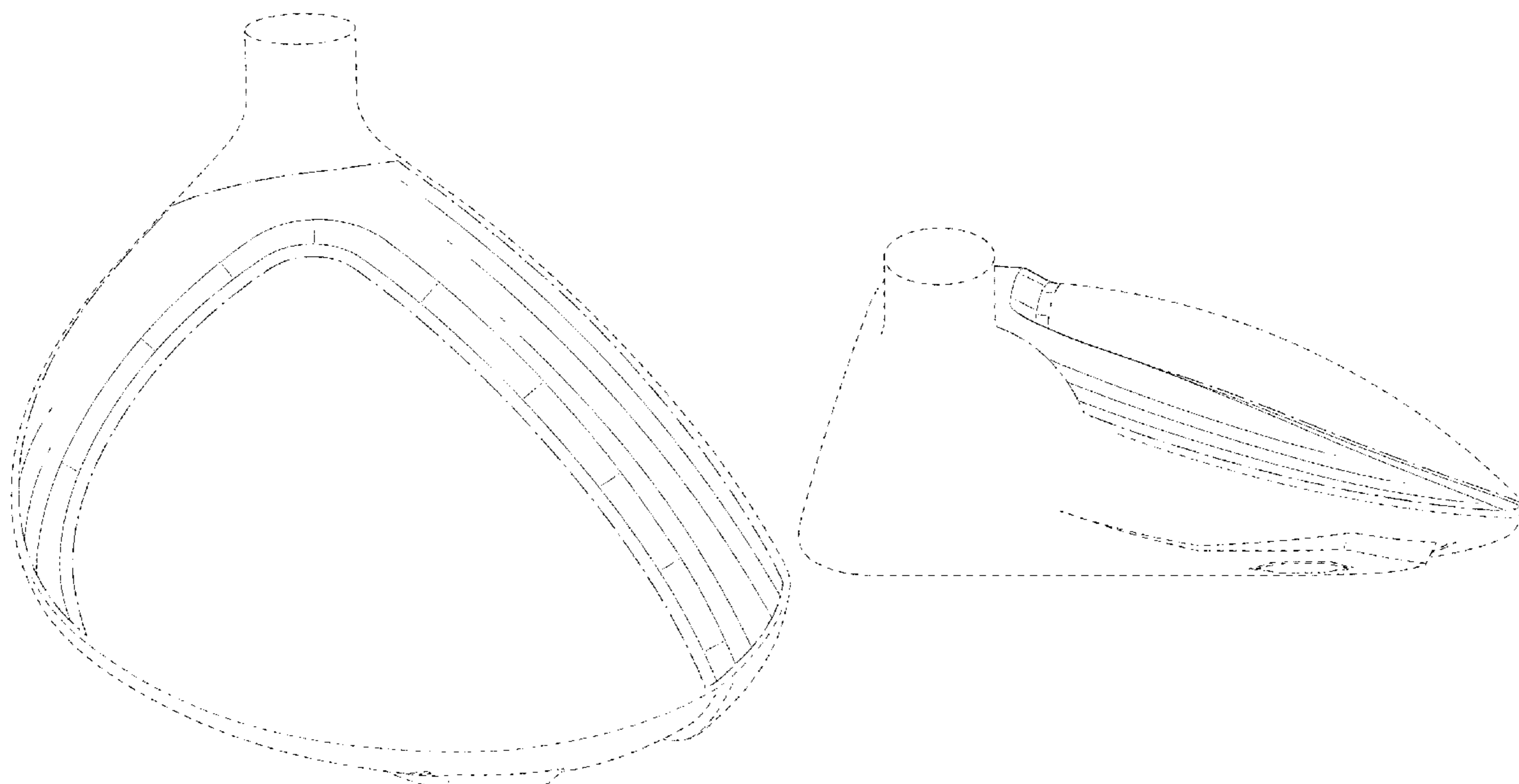
DESCRIPTION

FIG. 1 is a perspective view of a head for a golf club showing my new design;
FIG. 2 is a front view thereof;
FIG. 3 is a left side view thereof;
FIG. 4 is a right side view thereof;
FIG. 5 is a top view thereof; and,
FIG. 6 is a bottom view thereof.

The broken lines depict portions of the head for a golf club in which the design is embodied that are not considered part of the claimed design.

The dot-dash lines show a boundary between the claimed design and unclaimed portions.

1 Claim, 6 Drawing Sheets



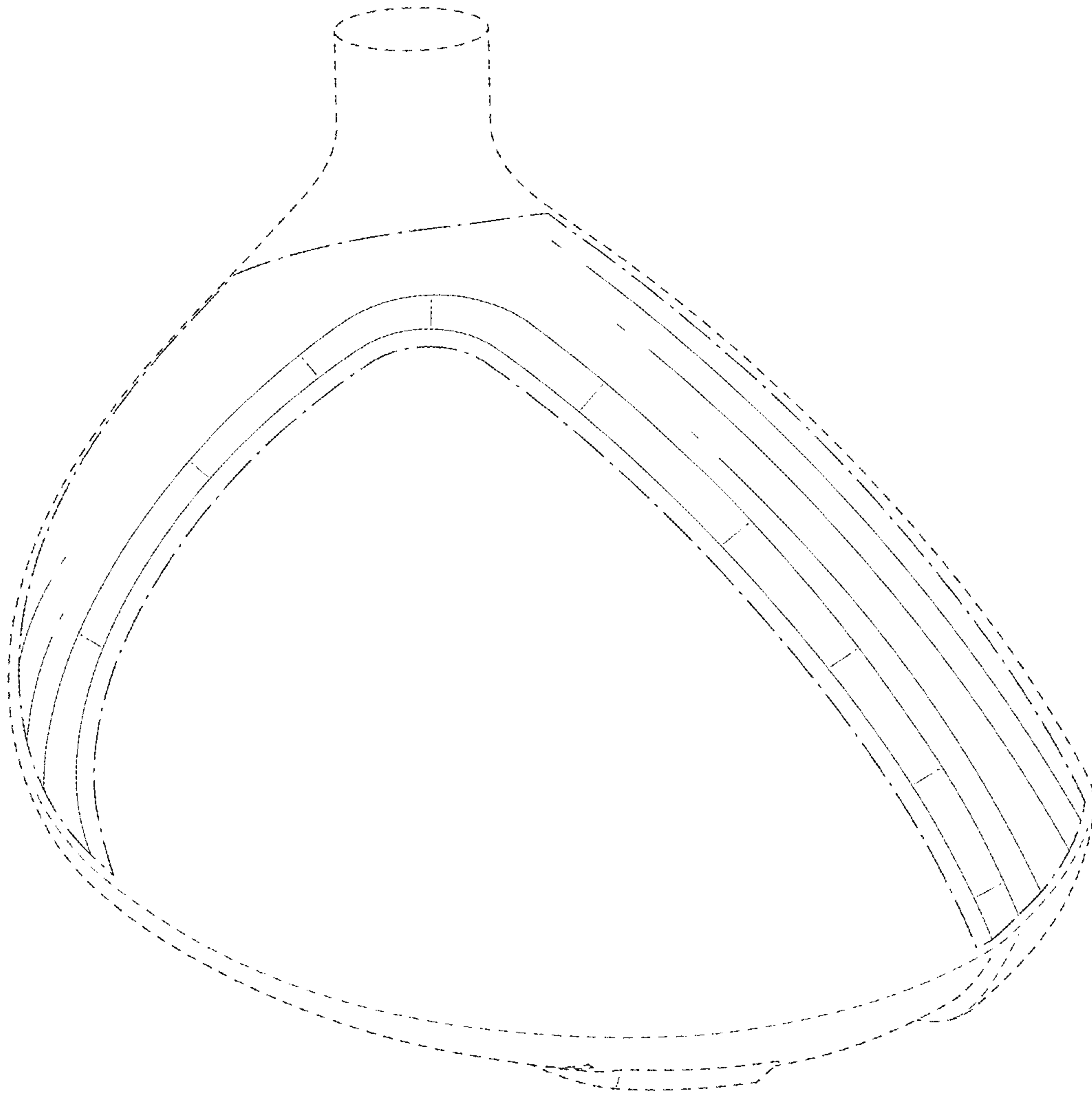


Fig.1

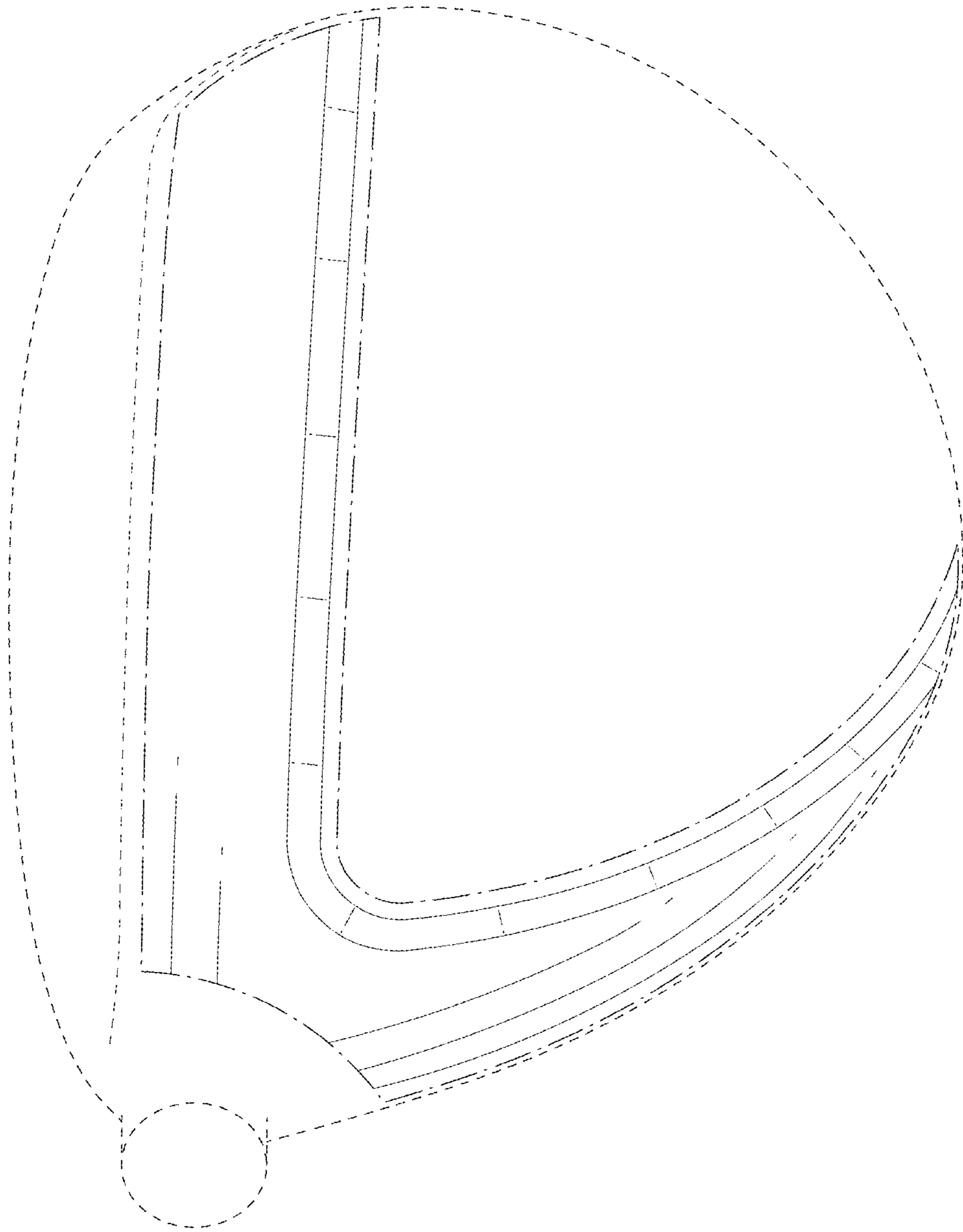


Fig.2

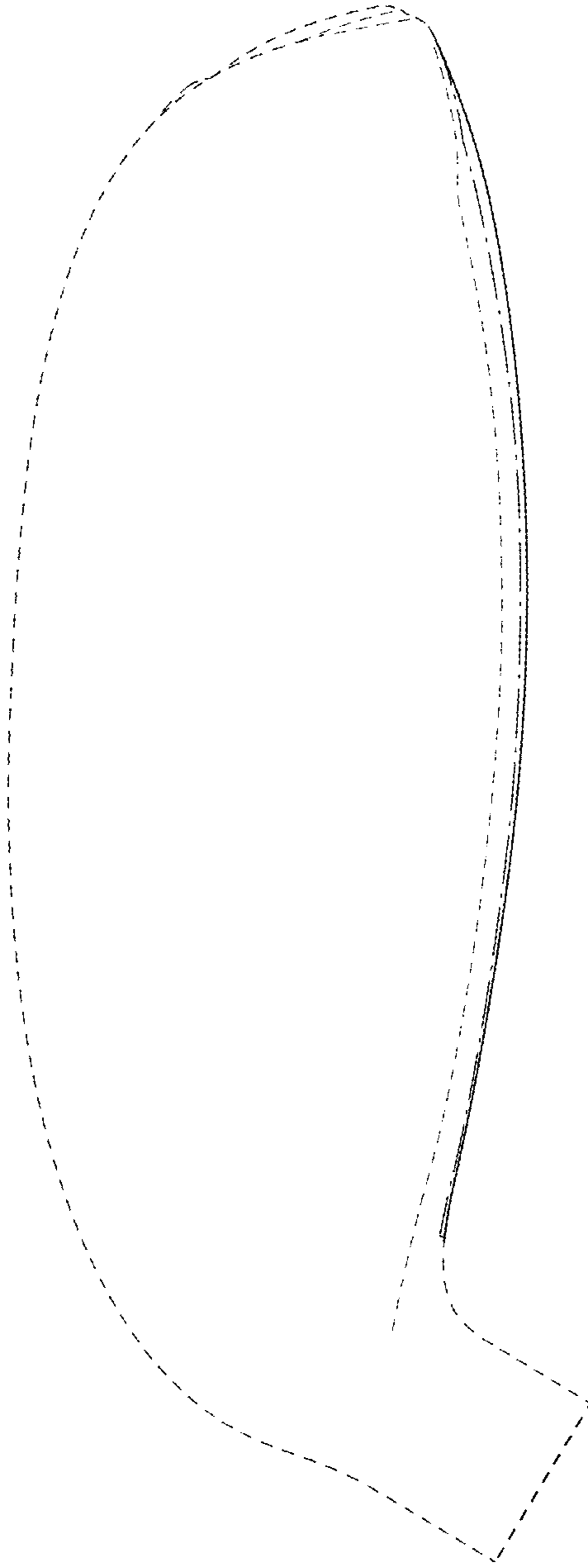


Fig.3

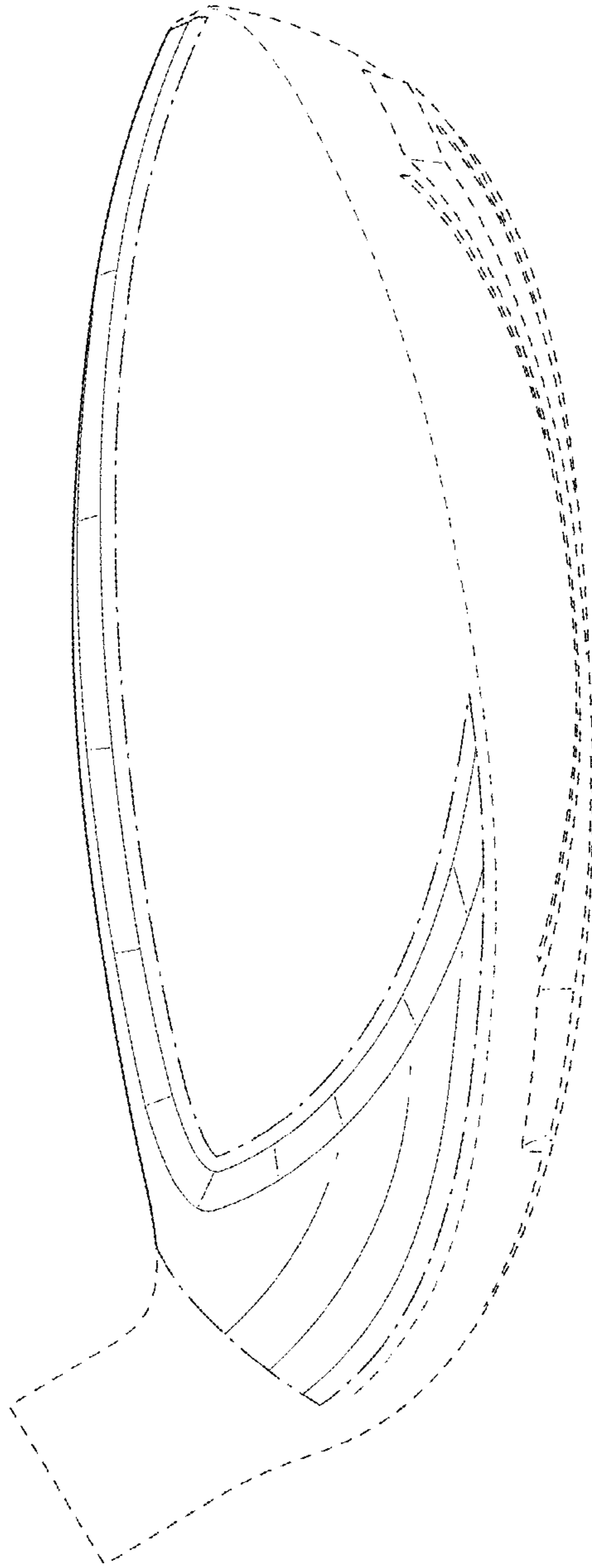


Fig.4

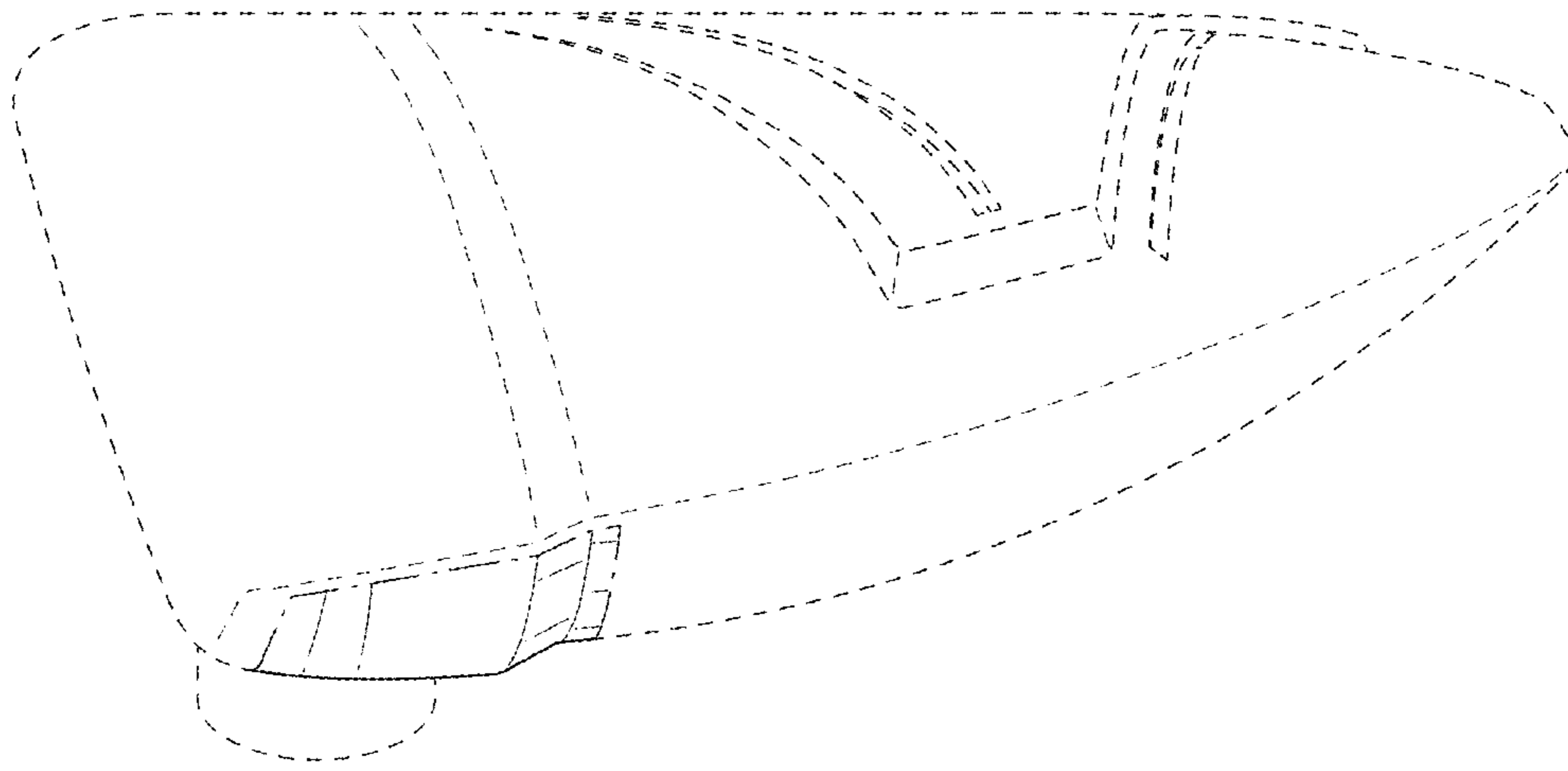


Fig.5

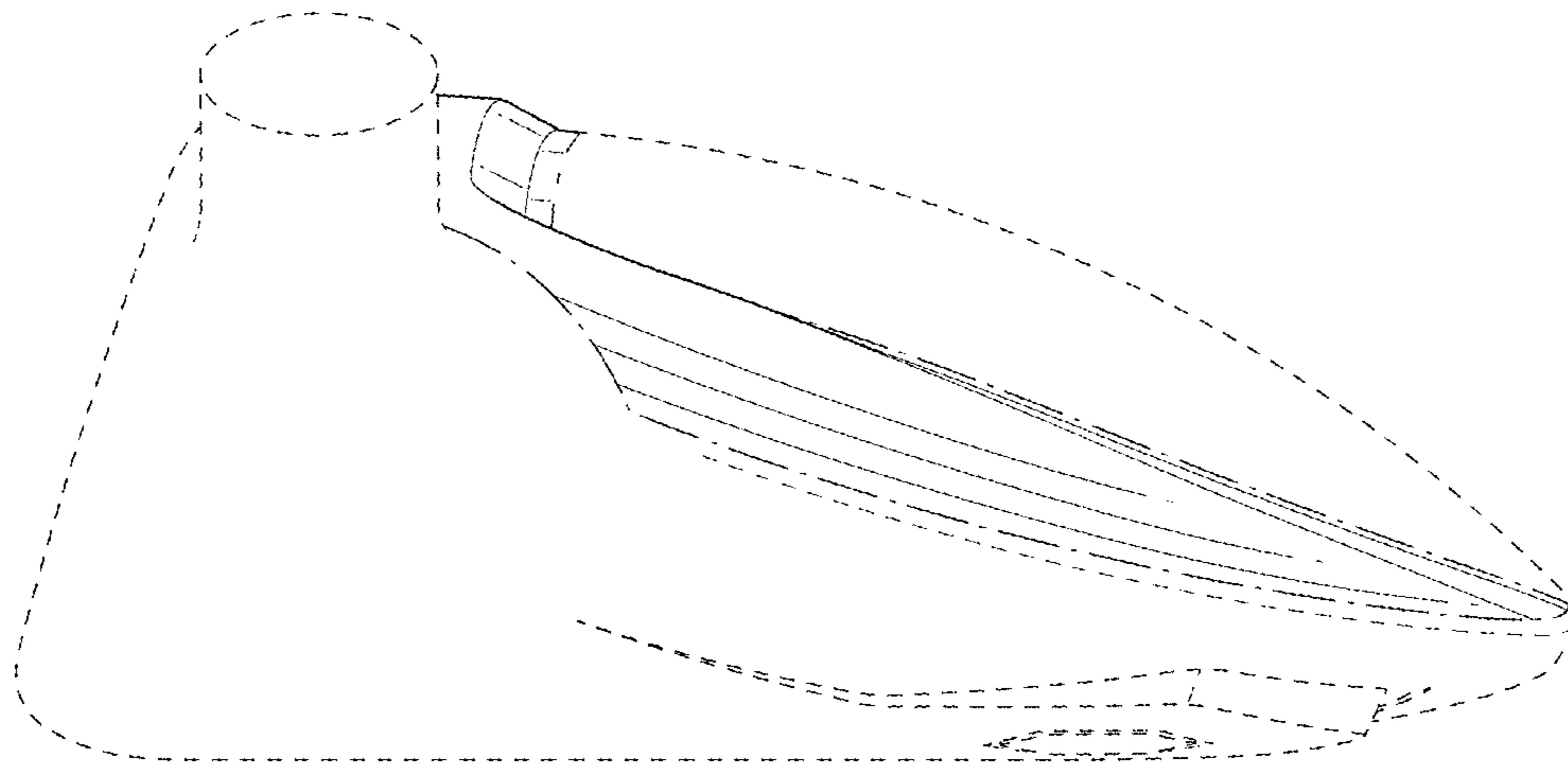


Fig.6