



US00D988442S

(12) **United States Design Patent**
Jaquish et al.

(10) **Patent No.:** **US D988,442 S**

(45) **Date of Patent:** **** Jun. 6, 2023**

- (54) **EXERCISE APPARATUS**
- (71) Applicant: **Jaquish Biomedical Corporation**,
Nevada City, CA (US)
- (72) Inventors: **John Paul Jacquish**, Nevada City, CA
(US); **Paul Edward Jacquish**, Nevada
City, CA (US); **Henry David Alkire**,
Nevada City, CA (US)
- (73) Assignee: **Jaquish Biomedical Corporation**,
Nevada City, CA (US)
- (**) Term: **15 Years**
- (21) Appl. No.: **29/866,616**
- (22) Filed: **Sep. 20, 2022**
- (51) **LOC (14) Cl.** **21-02**
- (52) **U.S. Cl.**
USPC **D21/694**; D21/662
- (58) **Field of Classification Search**
USPC D21/662, 673, 679, 694; 482/112, 92,
482/139, 93, 105
CPC A41D 19/01547; A41D 13/082; A41D
19/015; A41D 12/0562; A41D 13/0568;
A63B 23/16; A63B 21/0651; A63B
71/14; A63B 21/4021; A63B 21/4019;
A63B 21/065; A63B 21/4009; A63B
21/4017
See application file for complete search history.

- 4,807,876 A * 2/1989 Lothar B63B 34/63
482/106
- D464,686 S * 10/2002 Silveira D21/683
- 6,715,728 B2 * 4/2004 Nielsen A63B 21/4009
248/302
- 6,849,036 B2 * 2/2005 Forslid A63B 21/4021
482/139
- 7,520,844 B1 * 4/2009 Flynn A63B 21/065
482/108
- 7,946,967 B2 * 5/2011 Berhanu A63B 23/03508
482/109
- 8,267,844 B2 * 9/2012 Kassel A63B 21/4019
482/49
- 8,888,152 B1 * 11/2014 Coakley B25B 9/00
224/267
- D753,244 S * 4/2016 Hovey D21/662
- D761,924 S * 7/2016 Sato D21/662
- D778,374 S * 2/2017 Jacquish D21/686
- D813,960 S * 3/2018 Boruch D21/684

(Continued)

Primary Examiner — Ryan Harvey
(74) *Attorney, Agent, or Firm* — Morgan, Lewis &
Bockius LLP

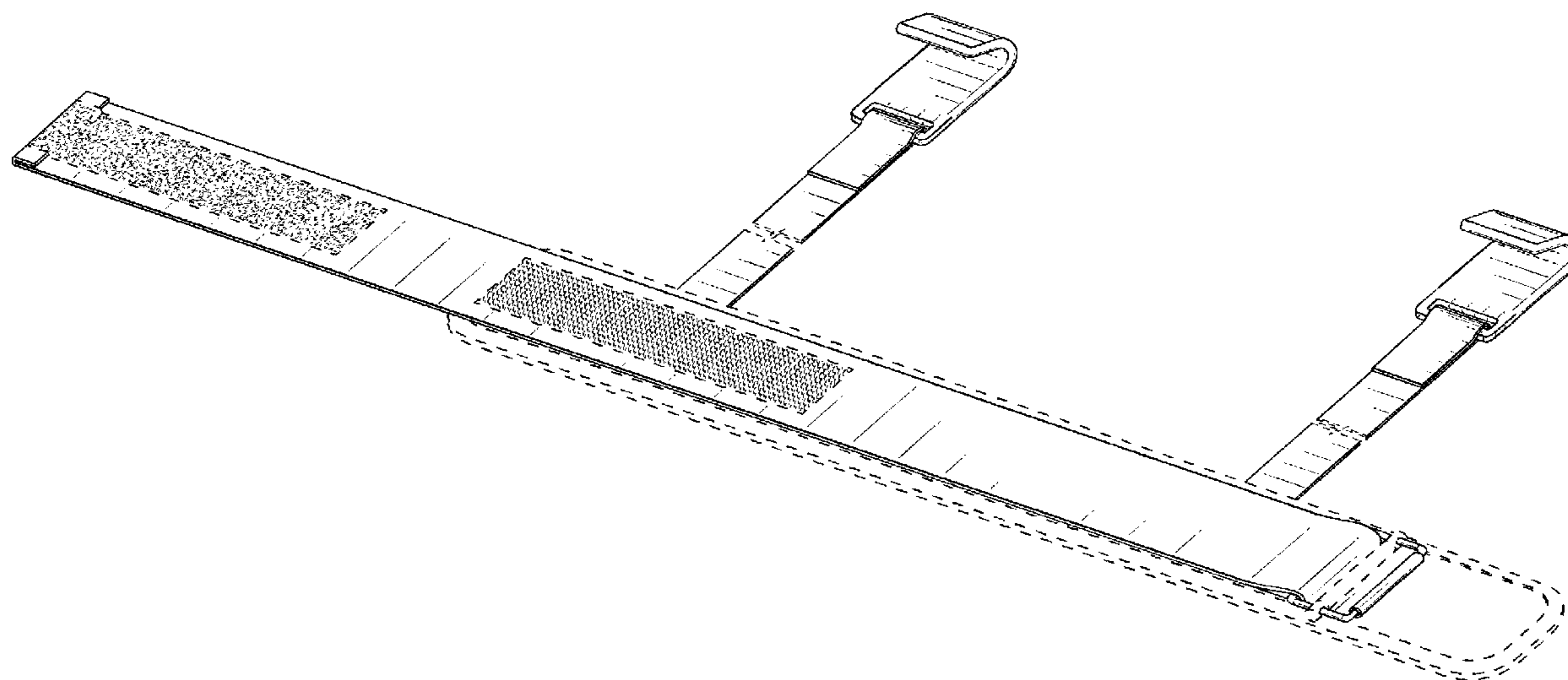
(57) **CLAIM**

The ornamental design for an exercise apparatus, as shown
and described.

DESCRIPTION

FIG. 1 is a perspective view of our new design of an exercise
apparatus;
FIG. 2 is a front view of the design of FIG. 1;
FIG. 3 is a back view of the design of FIG. 1;
FIG. 4 is a first side view of the design of FIG. 1;
FIG. 5 is a second view of the design of FIG. 1;
FIG. 6 is a bottom view of the design of FIG. 1; and,
FIG. 7 is a top view of the design of FIG. 1.
The broken lines shown in the figures are for the purposes
of illustrating portions of the exercise apparatus, which form
no part of the claimed design.
The bands are shown with a symbolic break in their length.

1 Claim, 6 Drawing Sheets



(56)

References Cited

U.S. PATENT DOCUMENTS

D895,030	S *	9/2020	Jaquish	D21/673
D895,032	S *	9/2020	Jaquish	D21/673
D895,033	S *	9/2020	Jaquish	D21/673
D895,739	S *	9/2020	Jaquish	D21/673
D898,132	S *	10/2020	Jaquish	D21/673
D898,133	S *	10/2020	Jaquish	D21/673
D902,329	S *	11/2020	Jaquish	D21/673
D902,330	S *	11/2020	Jaquish	D21/673
D910,124	S *	2/2021	Jaquish	D21/673
D914,113	S *	3/2021	Jaquish	D21/679
D914,114	S *	3/2021	Jaquish	D21/679
D937,369	S *	11/2021	Jaquish	D21/679
D954,858	S *	6/2022	Karvandi	D21/673
D955,515	S *	6/2022	Chang	D21/694
11,529,541	B1 *	12/2022	Inniss	A63B 21/065
2005/0075227	A1 *	4/2005	Emick	A63B 21/4001 482/139
2010/0062911	A1 *	3/2010	Stone	A63B 21/065 482/92
2010/0227747	A1 *	9/2010	Cook	A63B 21/4035 482/112
2022/0047910	A1 *	2/2022	Beck	A63B 21/0552

* cited by examiner

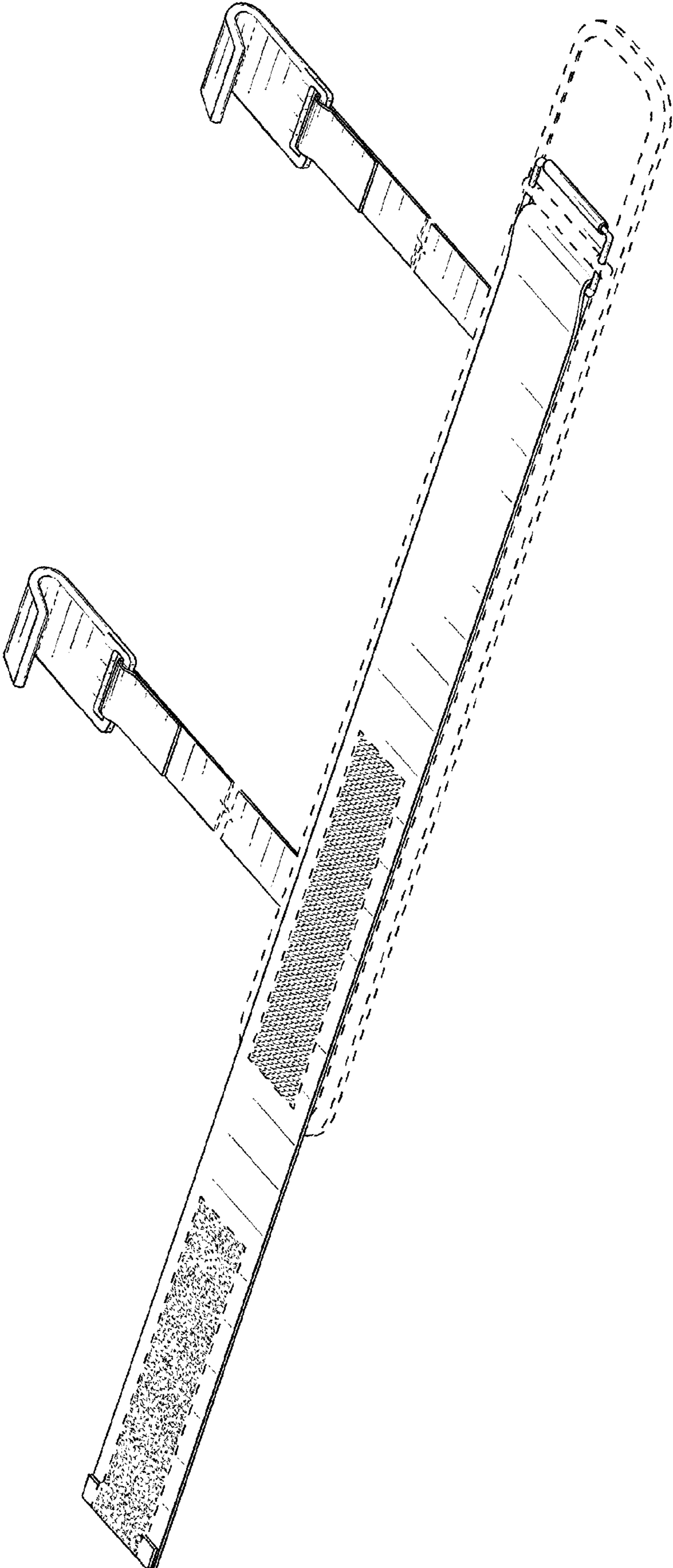


FIG. 1

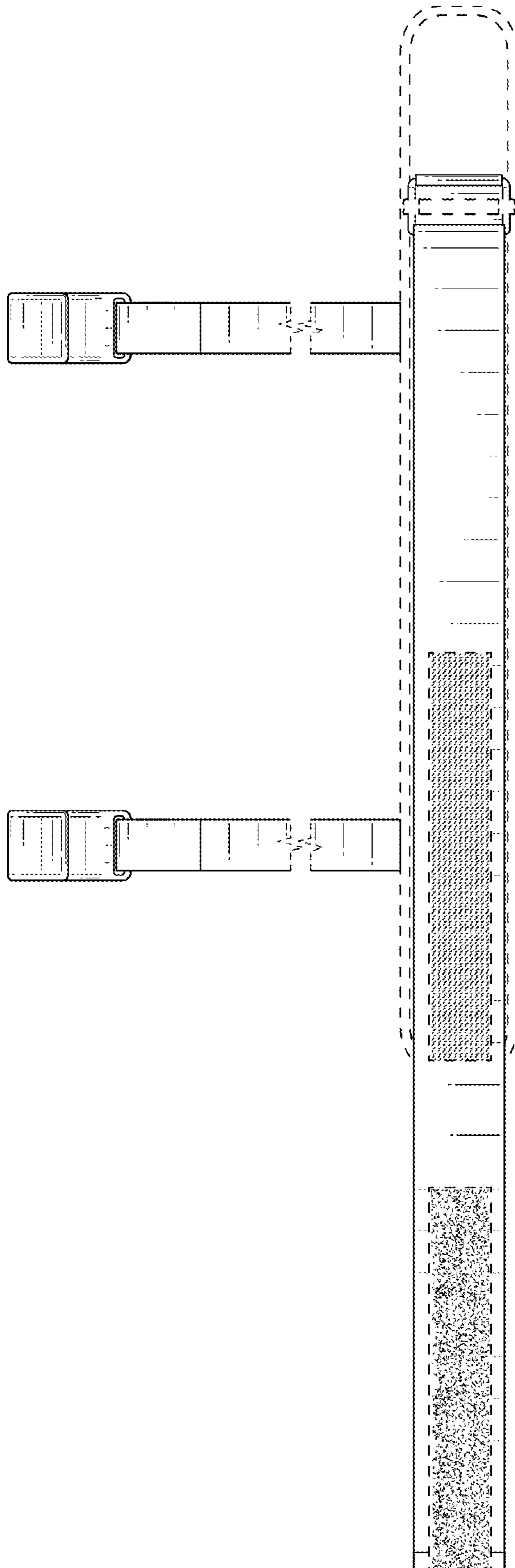


FIG. 2

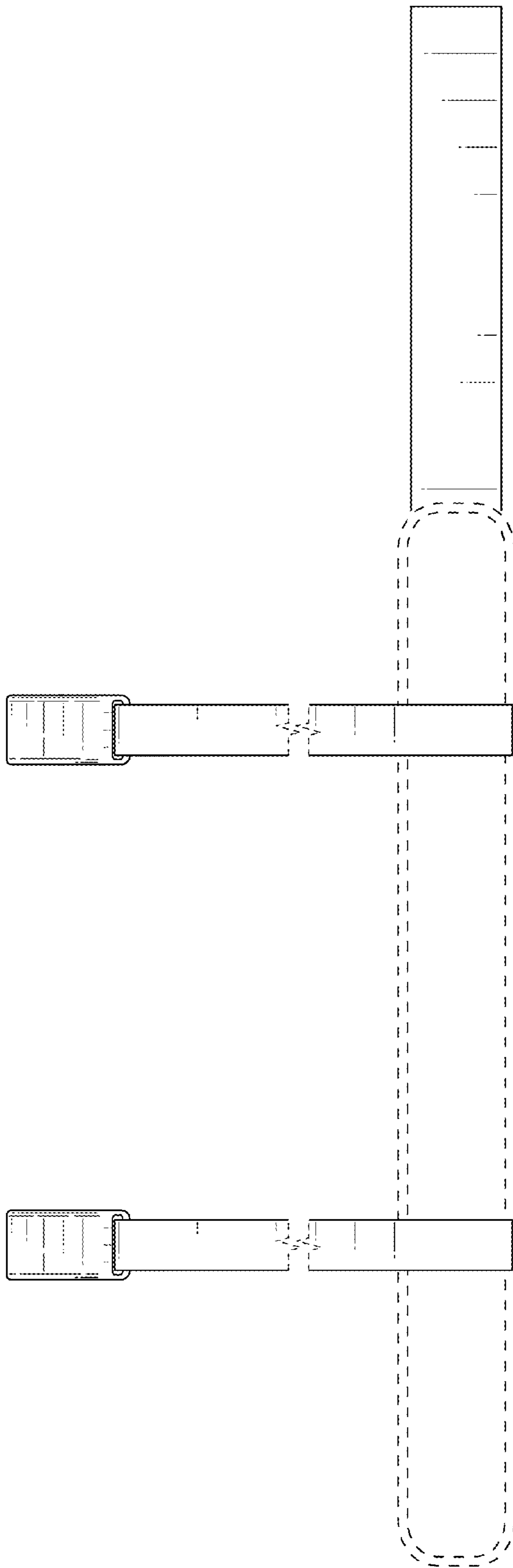


FIG. 3



FIG. 5



FIG. 4

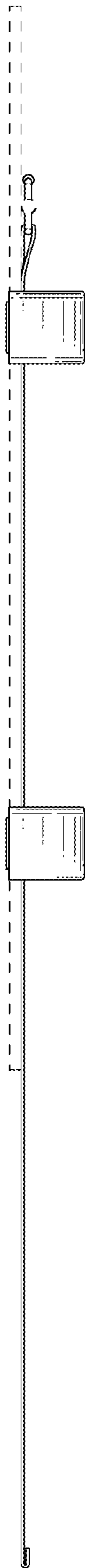


FIG. 6

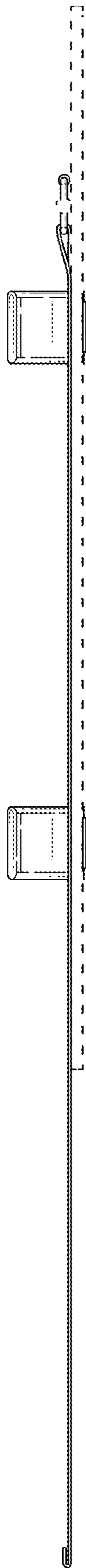


FIG. 7