



US00D988441S

(12) **United States Design Patent** (10) **Patent No.:** **US D988,441 S**
Hetrick (45) **Date of Patent:** **** Jun. 6, 2023**

(54) **EXERCISE BAND HANDLE**

(71) Applicant: **Fitness Anywhere LLC**, San Francisco, CA (US)

(72) Inventor: **Randal Hetrick**, San Francisco, CA (US)

(73) Assignee: **JFXD TRX ACQ LLC**, Delray Beach, FL (US)

(**) Term: **15 Years**

(21) Appl. No.: **29/735,224**

(22) Filed: **May 19, 2020**

(51) **LOC (14) Cl.** **21-02**

(52) **U.S. Cl.**
USPC **D21/694**

(58) **Field of Classification Search**
USPC D21/684, 694, 726, 796, 782, 369, 662;
D8/14, 70, 107
CPC ... A63B 21/065; A63B 2209/10; A63B 60/08;
A63B 6/00; F41H 9/10
See application file for complete search history.

(56) **References Cited**

U.S. PATENT DOCUMENTS

D320,125 S *	9/1991	Hacker	D7/395
D419,653 S *	1/2000	Lidgett	D23/266
D612,917 S *	3/2010	Eilertson	D23/266
D626,816 S *	11/2010	Claxton	D8/303
D648,204 S *	11/2011	Parvey	D8/303
D669,945 S *	10/2012	Russo	D21/694
D779,621 S *	2/2017	Salvador	D22/108
D794,728 S *	8/2017	Thomson	D21/694
D801,721 S *	11/2017	Briden	D6/523

(Continued)

FOREIGN PATENT DOCUMENTS

CN	302178427	*	4/2021
EM	002695239-0007	*	5/2015

(Continued)

OTHER PUBLICATIONS

TriFlexUSA Elite Resistance Band Handles with Clips, first available Jun. 19, 2020, amazon.com [online], site visited Aug. 16, 2021], Available from internet URL: https://amzn.to/2UnBIGp (Year: 2020).*

(Continued)

Primary Examiner — Jack Reickel

Assistant Examiner — Salamah Jordan

(74) *Attorney, Agent, or Firm* — Duane Morris LLP

(57) **CLAIM**

The ornamental design for an exercise band handle, as shown and described.

DESCRIPTION

FIG. 1 is an exploded isometric view of an exercise band handle, showing the new design.

FIG. 2 is an isometric view thereof.

FIG. 3 is a cross-section isometric view thereof, taken along line 3-3 of FIG. 2.

FIG. 4 is a front view thereof.

FIG. 5 is a right side cross-section view thereof, taken along line 5-5 of FIG. 4.

FIG. 6 is a right side cross-section view thereof, taken along line 6-6 of FIG. 4.

FIG. 7 is a top view thereof.

FIG. 8 is a front view thereof.

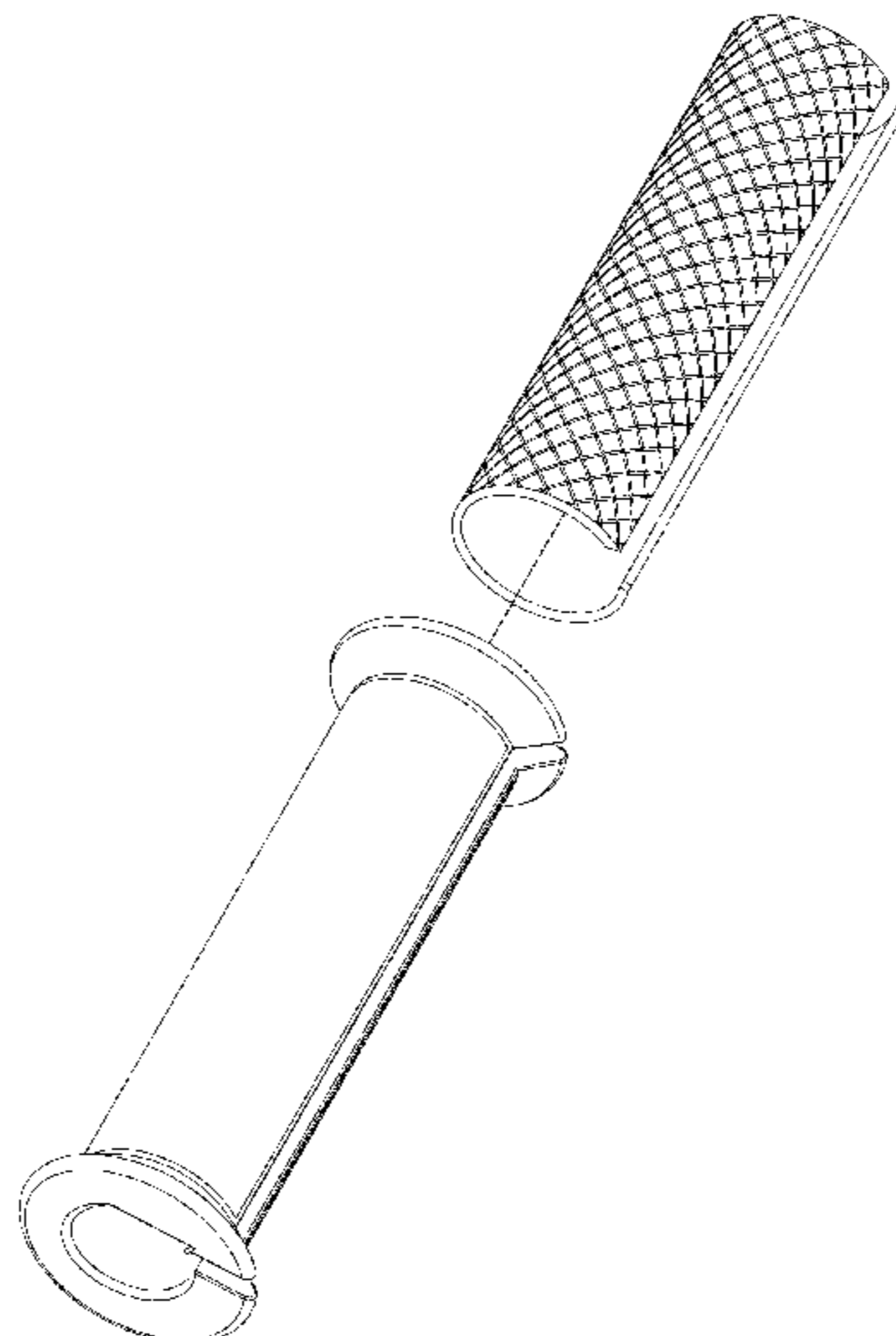
FIG. 9 is a bottom view thereof.

FIG. 10 is a left side view thereof; and,

FIG. 11 is a right side view thereof.

The broken line of FIG. 1 is included to show relationship between handle and cover and forms no part of the claimed design. The cross-hatching shown in FIGS. 3, 5 and 6 are for illustrative purposes only and form no part of the claimed design.

1 Claim, 5 Drawing Sheets



(56)

References Cited

U.S. PATENT DOCUMENTS

D813,005 S * 3/2018 Dovellos D8/303
 D842,947 S * 3/2019 Kuka D21/694
 D852,444 S * 6/2019 Harrington D32/45
 D857,132 S * 8/2019 Dube D21/694
 D861,804 S * 10/2019 Rios D21/662
 D864,511 S * 10/2019 Harrington D32/50
 D867,492 S * 11/2019 Didia D21/694
 D873,645 S * 1/2020 Seline D8/303
 D875,857 S * 2/2020 Leadbetter D21/694
 D876,657 S * 2/2020 Lin D24/211
 D878,079 S * 3/2020 Briden D6/523
 D884,097 S * 5/2020 Ameri D21/694
 D886,251 S * 6/2020 Mezzalira D23/266
 10,695,258 B1 * 6/2020 Johnson A61H 1/00
 D893,642 S * 8/2020 Henniger D21/694
 D898,543 S * 10/2020 Sahaye D8/107
 D913,387 S * 3/2021 Li D21/694
 D973,158 S * 12/2022 Qiao D21/694
 2016/0101824 A1 * 4/2016 Aymar A63B 53/14
 16/436
 2020/0276078 A1 * 9/2020 Ploss A61H 1/00
 2020/0383788 A1 * 12/2020 Elist A61F 2/26

FOREIGN PATENT DOCUMENTS

EM 002695239-0008 * 5/2015
 EM 002695239-0010 * 5/2015

OTHER PUBLICATIONS

Allbingo Pro Cable Handles Compatible with Cable Machines and Bowflex, first available Jul. 31, 2019, amazon.com [online], site visited Aug. 16, 2021], Available from internet URL: <https://amzn.to/3g8WQIe> (Year: 2019).*

Aboom Upgraded Workout Handles for Cable Machines and Bowflex, first available Apr. 15, 2019, amazon.com [online], site visited Aug. 16, 2021], Available from internet URL: <https://amzn.to/3jXMY5g> (Year: 2019).*

“Allbingo Pro Cable Handles” Aug. 1, 2019, Amazon, site visited Jan. 5, 2023: <https://amzn.to/3VNBmTi> (Year: 2019).*

“Core Prodigy Heavy Duty Exercise Handles” Oct. 8, 2019, Amazon, site visited Jan. 5, 2023: <https://amzn.to/3jSLFbi> (Year: 2019).*

* cited by examiner

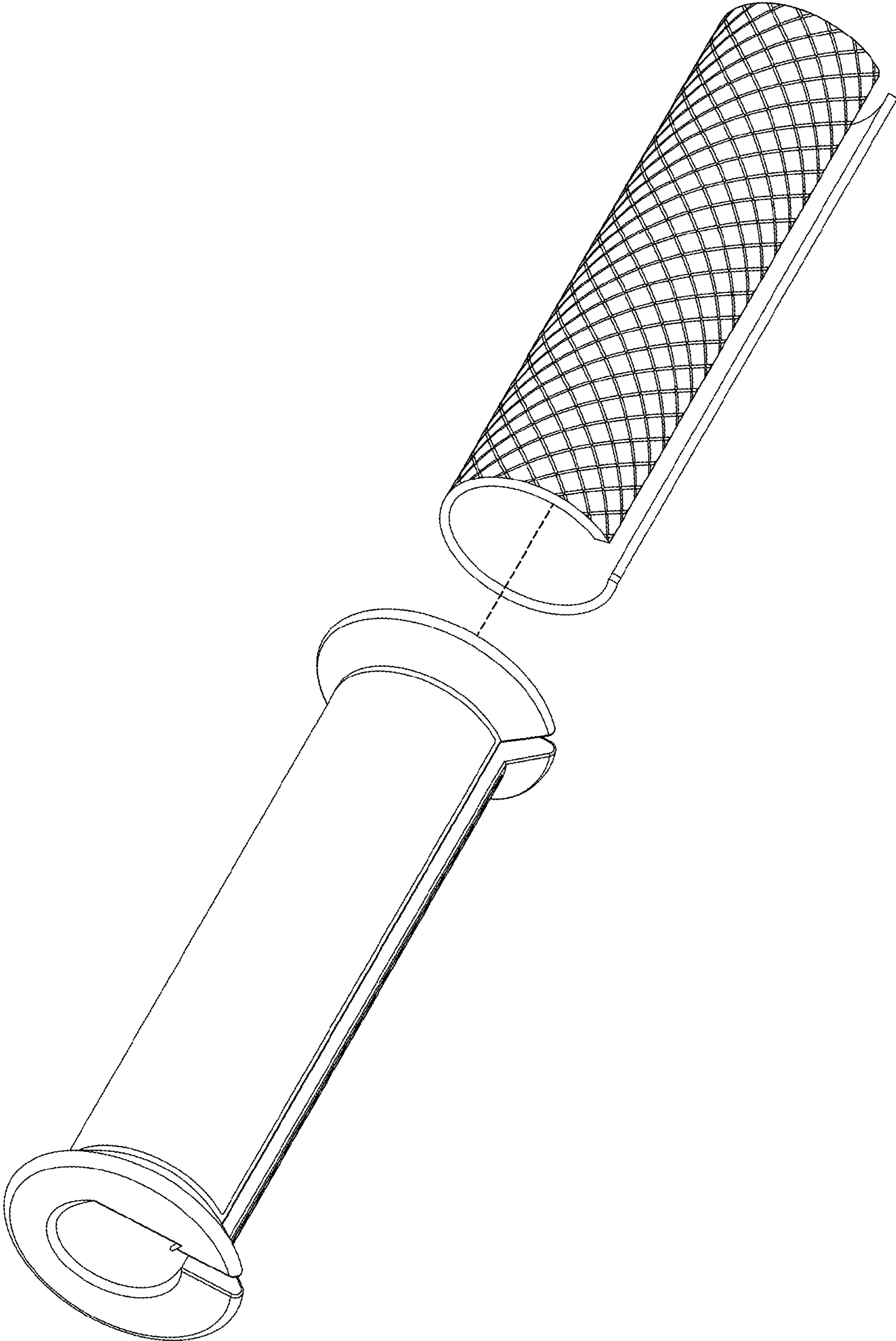


FIG. 1

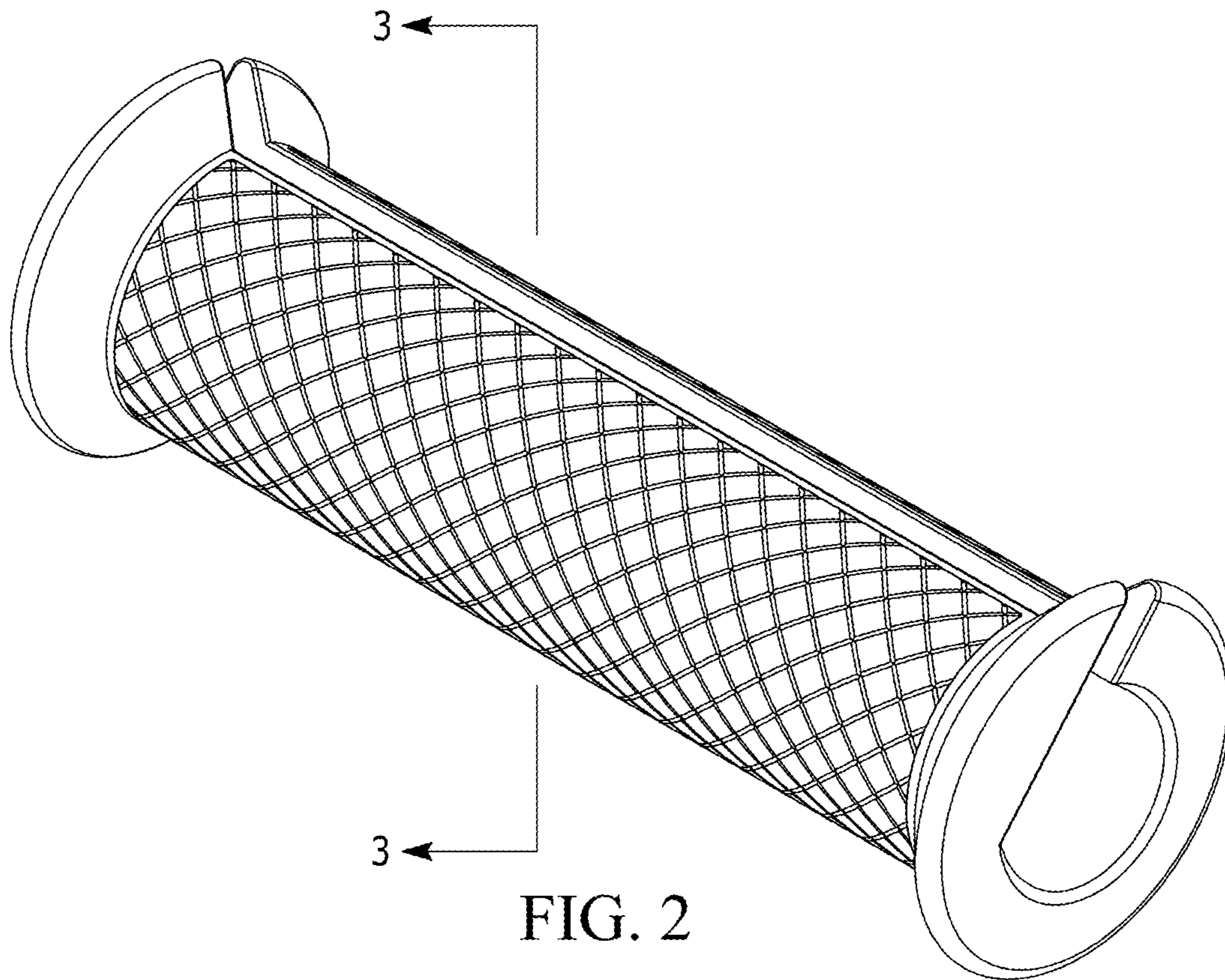


FIG. 2

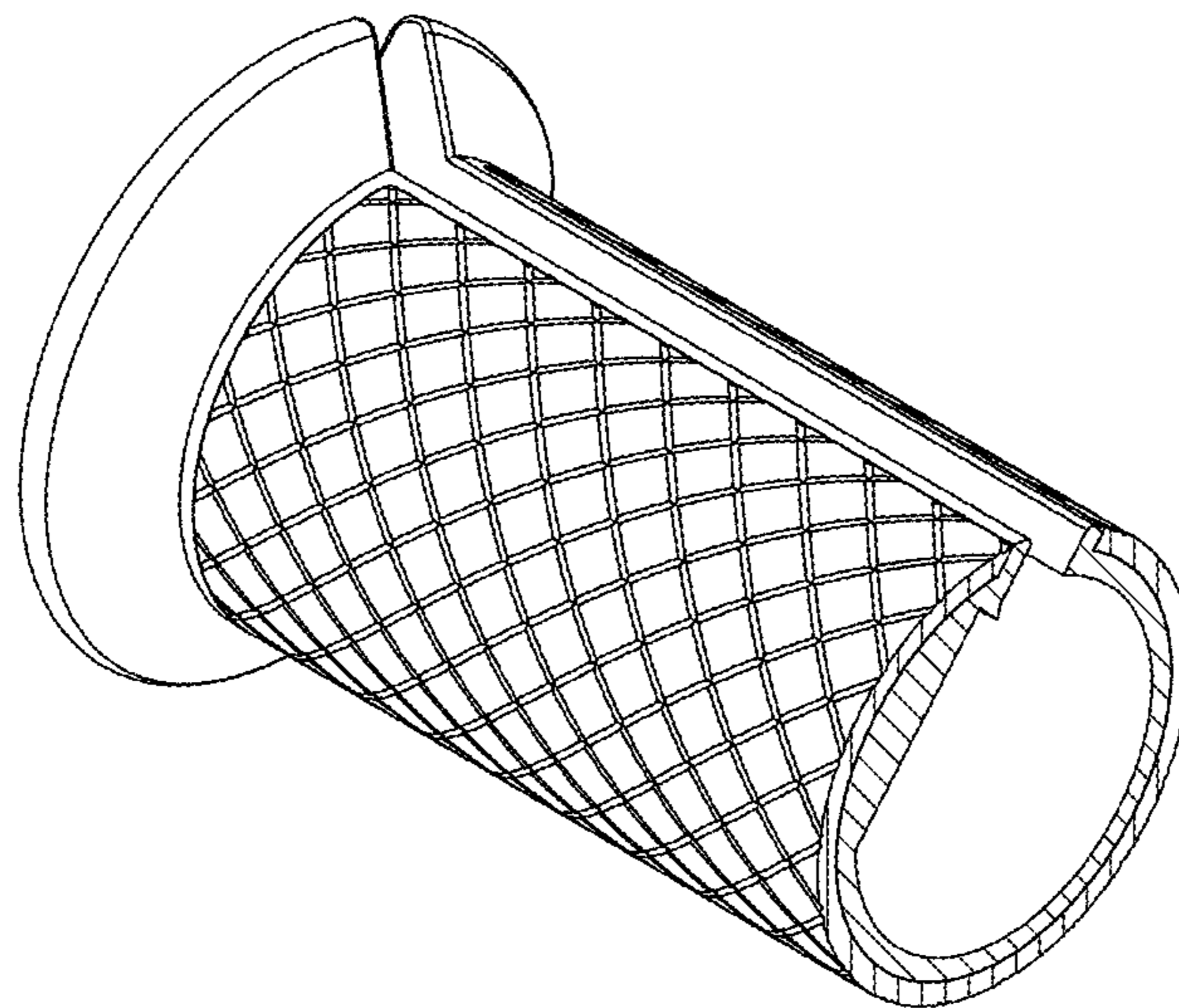


FIG. 3

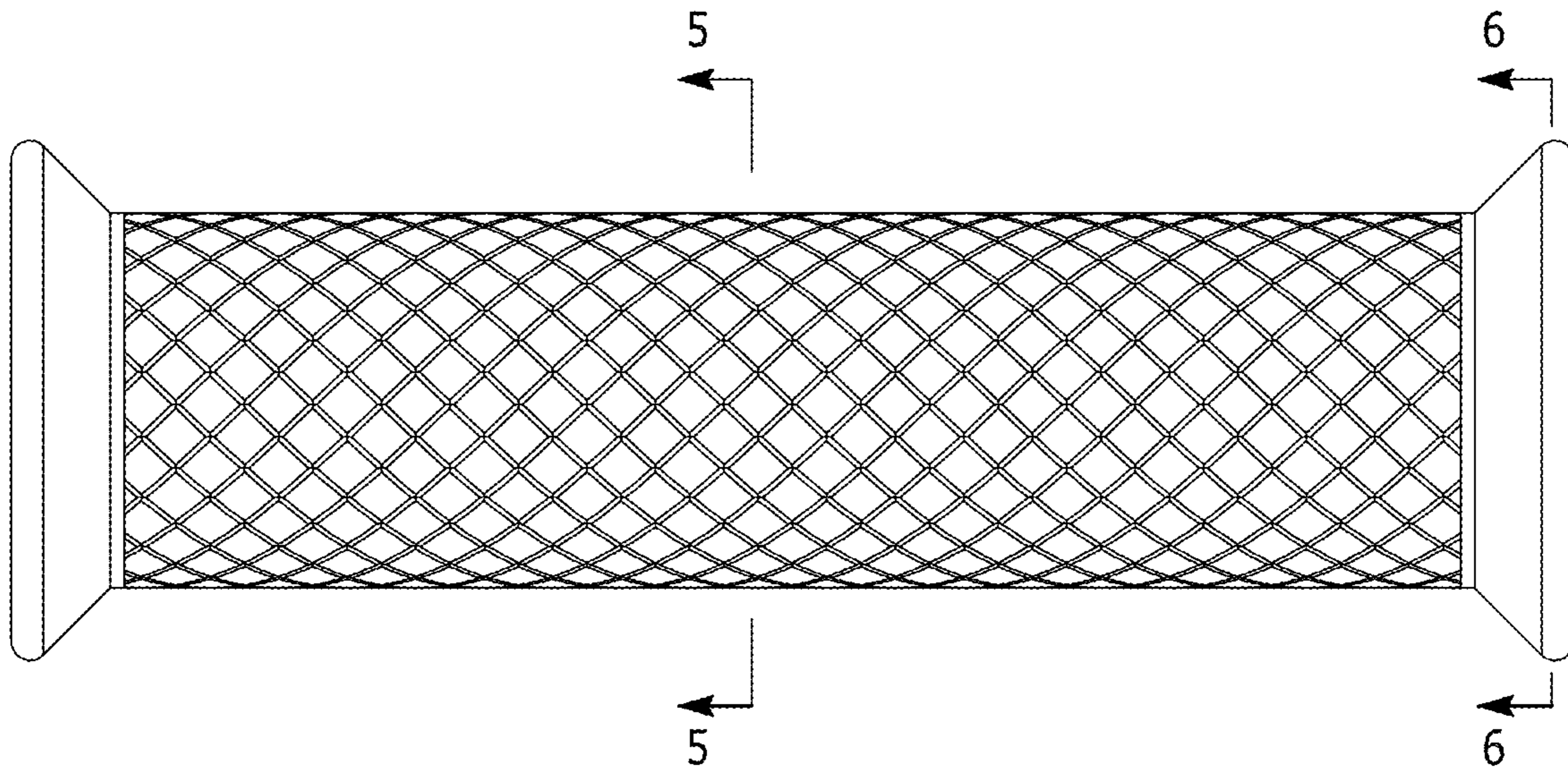


FIG. 4

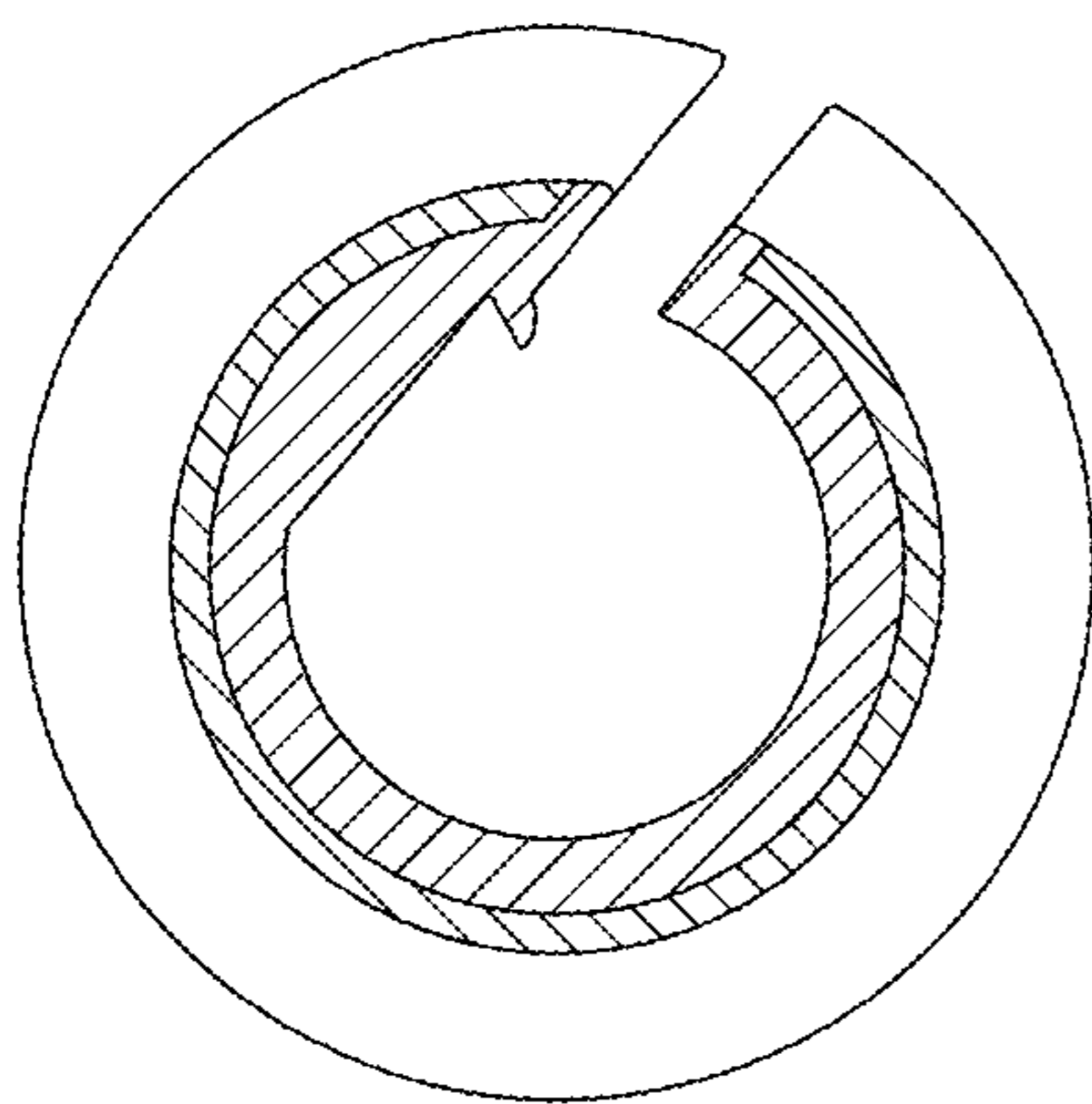


FIG. 5

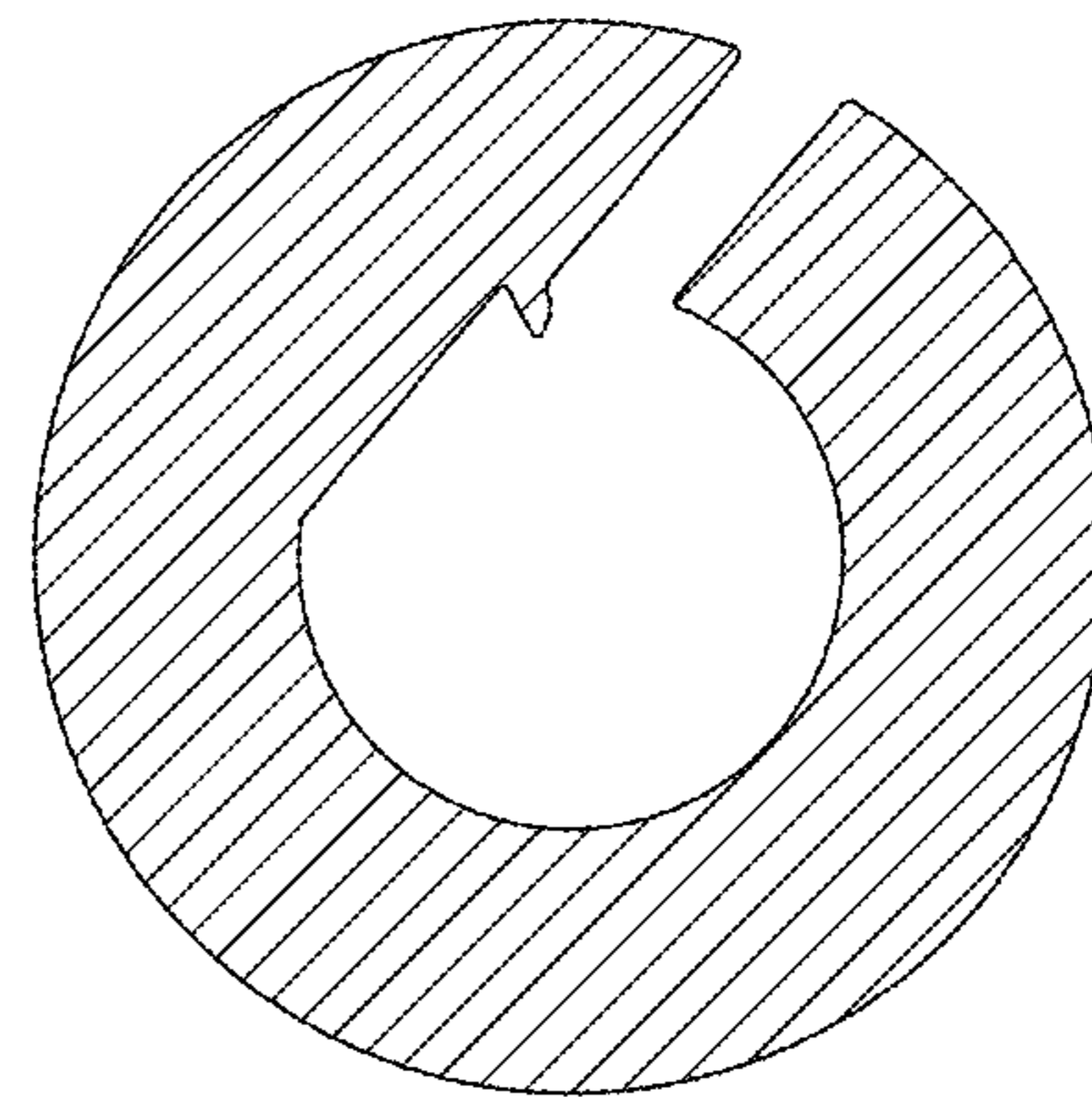


FIG. 6

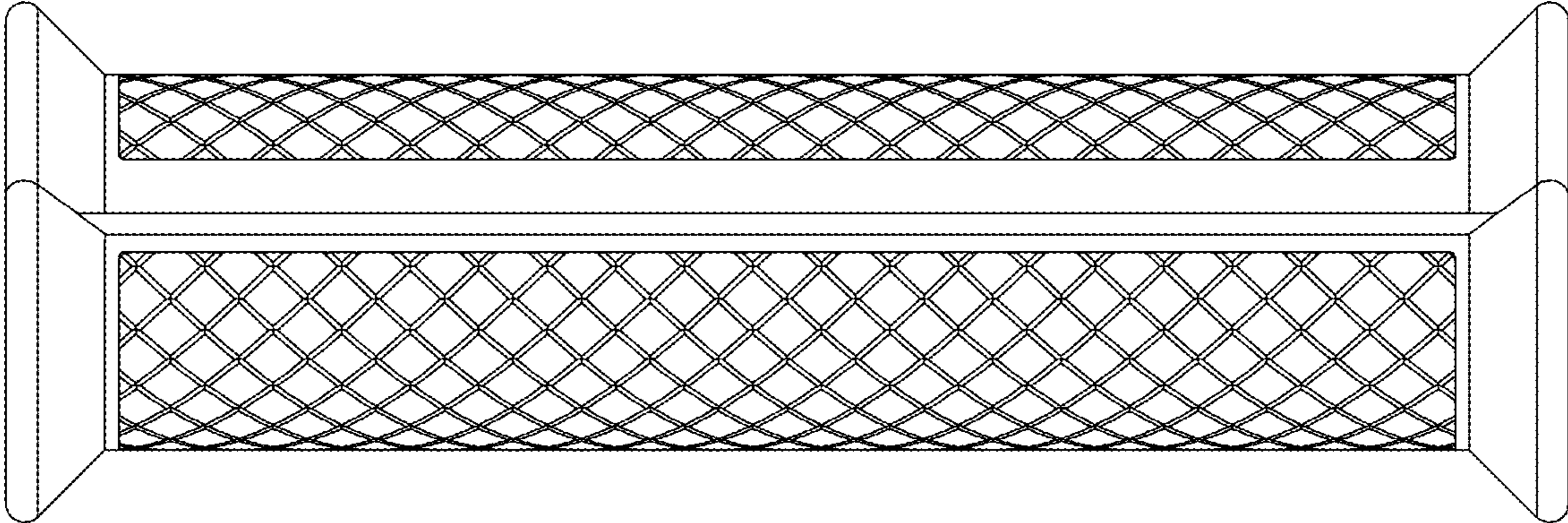


FIG. 7

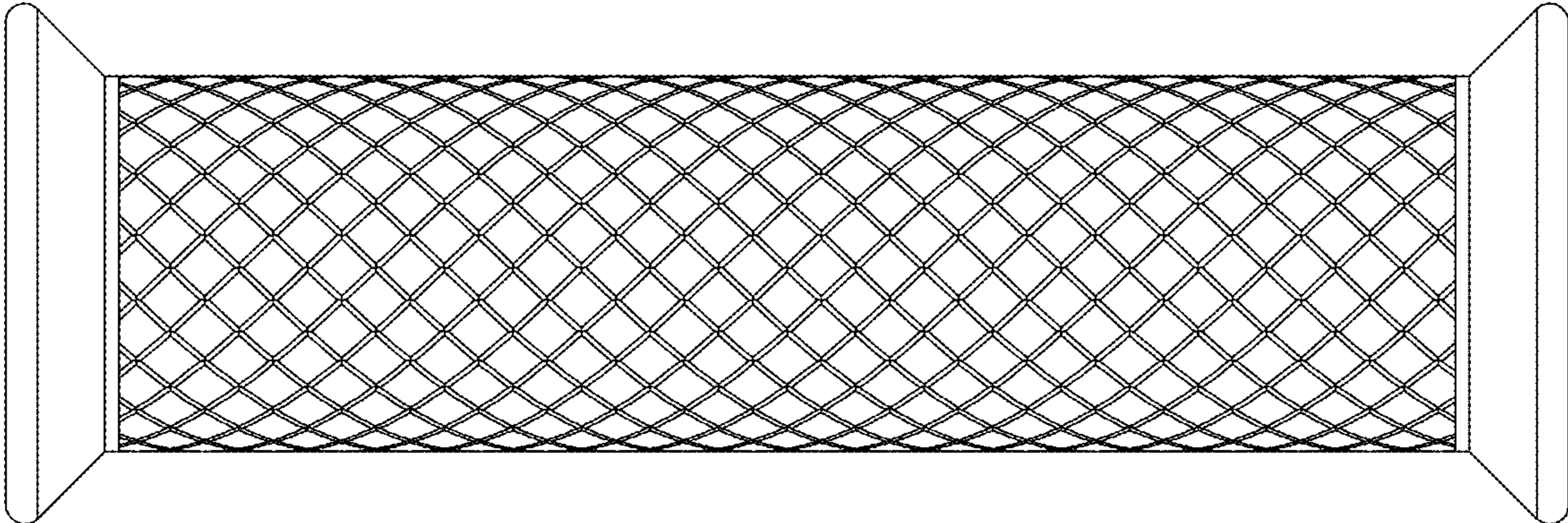


FIG. 8

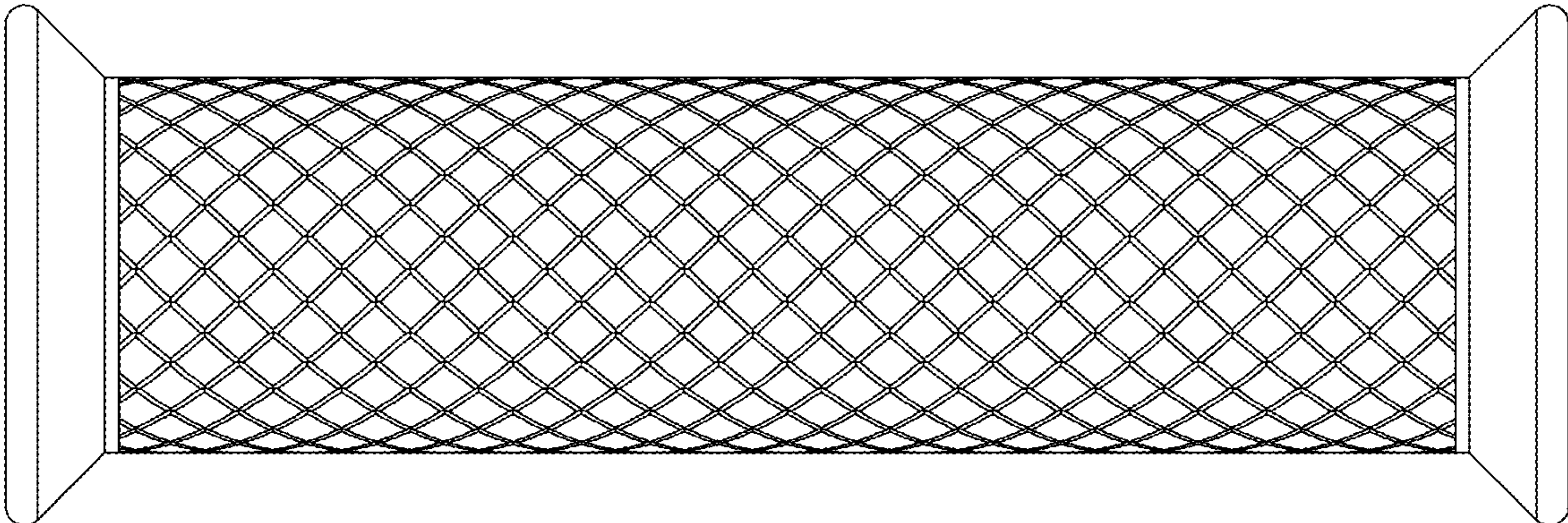


FIG. 9

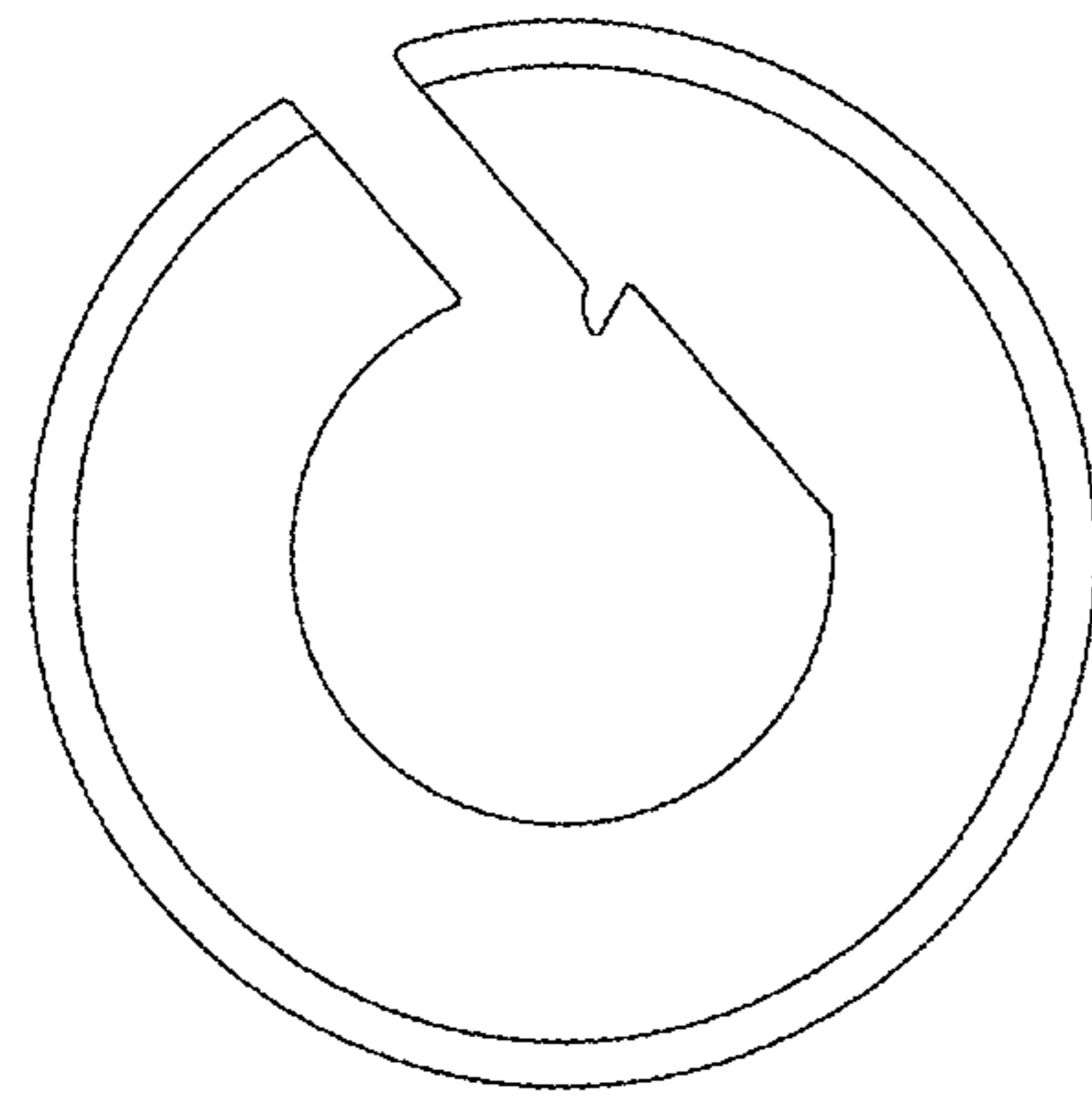


FIG. 10

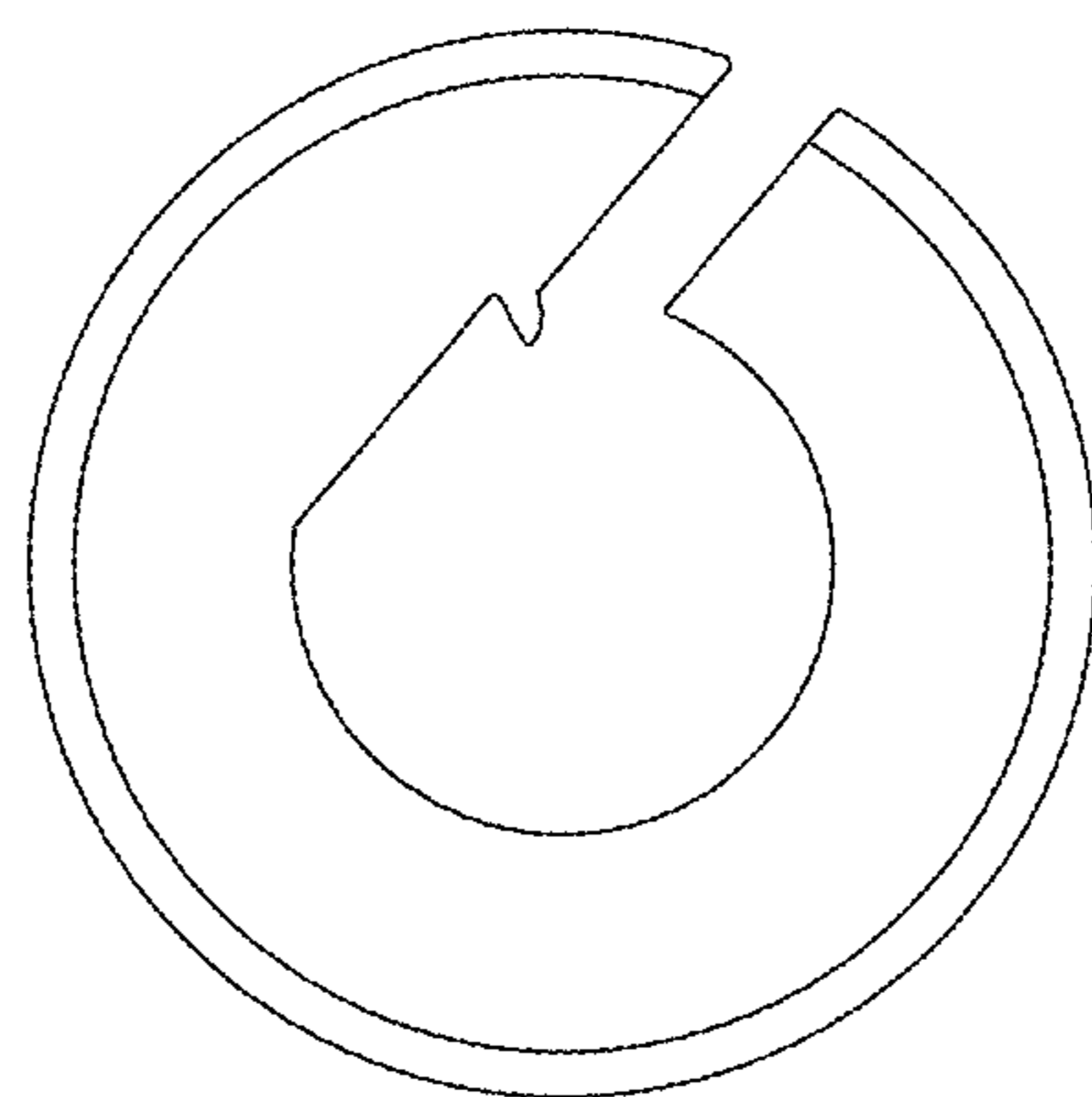


FIG. 11