



US00D988440S

(12) **United States Design Patent** (10) **Patent No.:** **US D988,440 S**
Blum (45) **Date of Patent:** **** Jun. 6, 2023**

(54) **FRAME FOR A TREADMILL**
(71) Applicant: **Life Fitness, LLC**, Rosemont, IL (US)
(72) Inventor: **Matthew P. Blum**, Chicago, IL (US)
(73) Assignee: **Life Fitness, LLC**, Rosemont, IL (US)
(**) Term: **15 Years**

(21) Appl. No.: **29/750,795**
(22) Filed: **Sep. 16, 2020**
(51) **LOC (14) Cl.** **21-02**
(52) **U.S. Cl.**
USPC **D21/686**
(58) **Field of Classification Search**
USPC D21/668, 669, 686, 694, 662; D6/310,
D6/328, 329; D34/27
See application file for complete search history.

(56) **References Cited**

U.S. PATENT DOCUMENTS

D420,073 S * 2/2000 Alessandri D21/691
D437,370 S * 2/2001 Webber D21/694
D437,371 S * 2/2001 Webber D21/694
D494,234 S * 8/2004 Sporie D21/669
D526,692 S * 8/2006 Ayton D21/694
D667,471 S * 9/2012 Harder D15/127
8,690,738 B1 4/2014 Astilian
9,039,580 B1 5/2015 Bayerlein et al.
9,352,188 B2 5/2016 Astilean
10,010,748 B1 * 7/2018 Weinstein A63B 22/0285
10,238,911 B2 3/2019 Bayerlein et al.
10,561,883 B2 2/2020 Bayerlein et al.
10,561,884 B2 2/2020 Bayerlein et al.
10,668,315 B1 6/2020 Nelson et al.
D910,127 S * 2/2021 Speas D21/691
D929,511 S * 8/2021 Chen D21/669

D930,089 S * 9/2021 Oblamski D21/669
2012/0040802 A1 * 2/2012 Dibble A63B 22/06
482/54
2012/0296244 A1 * 11/2012 Ceoldo A61H 23/0263
601/46

(Continued)

FOREIGN PATENT DOCUMENTS

CN 304684380 6/2018
CN 202030552030 * 9/2020

(Continued)

OTHER PUBLICATIONS

In10ct, announced 2020 [online], [site visited Nov. 21, 2022].
Available on internet, URL: <https://www.amazon.com/IN10CT-Health-Runner/dp/B07H7XXZNG/ref> (Year: 2020).*

(Continued)

Primary Examiner — Khawaja Anwar
Assistant Examiner — Julice Seung Eun Oum
(74) *Attorney, Agent, or Firm* — Andrus Intellectual
Property Law, LLP

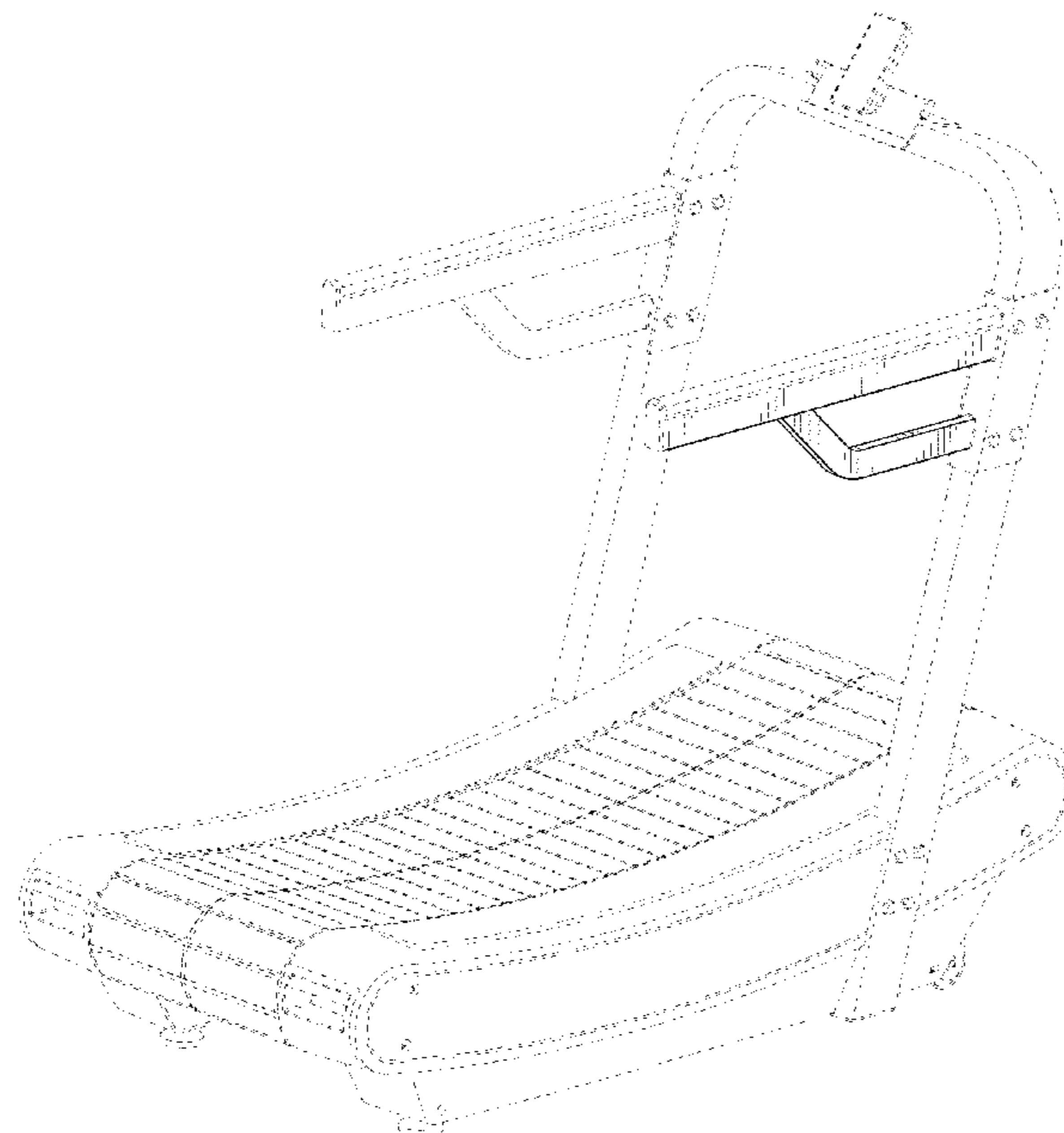
(57) **CLAIM**

The ornamental design for a frame for a treadmill, as shown and described.

DESCRIPTION

FIG. 1 is a perspective view of a frame for a treadmill showing my new design.
FIG. 2 is a side view thereof.
FIG. 3 is an opposite side view thereof.
FIG. 4 is a rear view thereof.
FIG. 5 is a front view thereof.
FIG. 6 is a top view thereof; and,
FIG. 7 is a bottom view thereof.
The broken lines in the drawings illustrate portions of the frame that are not part of the claimed design.

1 Claim, 7 Drawing Sheets



(56)

References Cited

U.S. PATENT DOCUMENTS

2016/0144224 A1* 5/2016 Dalebout A63B 22/0285
 482/54
 2017/0312566 A1* 11/2017 Chang A63B 22/0285
 2017/0312567 A1* 11/2017 Chang A63B 22/0285
 2018/0111018 A1* 4/2018 Lee A63B 22/0285
 2018/0140896 A1* 5/2018 Chen A63B 69/0062
 2019/0009128 A1* 1/2019 Yoo A63B 22/0285
 2019/0083844 A1 3/2019 Bayerlein et al.
 2019/0217153 A1 7/2019 Bayerlein et al.
 2019/0314674 A1* 10/2019 Chen A63B 22/20
 2020/0147447 A1* 5/2020 Chiu A63B 21/015

FOREIGN PATENT DOCUMENTS

KR 3009411420000 1/2018
 WO 2017192628 11/2017

OTHER PUBLICATIONS

A document on the Amazon website entitled “Think Fitness and Sports 4 in 1 Manual Treadmill with Motorized Power Running Fitness Jogging Incline Machine,” which was published on Feb. 24, 2018. The website: [https://www.amazon.in/Think Fitness Sports Treadmill Motorized/dp/B07B2JW68C](https://www.amazon.in/Think-Fitness-Sports-Treadmill-Motorized/dp/B07B2JW68C).

Examination Report issued in corresponding Taiwan Design Application No. 110301019, dated Apr. 4, 2022.

Examination Report issued in corresponding Taiwan Design Application No. 110301019, dated Jul. 13, 2021.

Examination Report issued in corresponding Taiwan Design Application No. 110305351, dated Oct. 26, 2021.

* cited by examiner

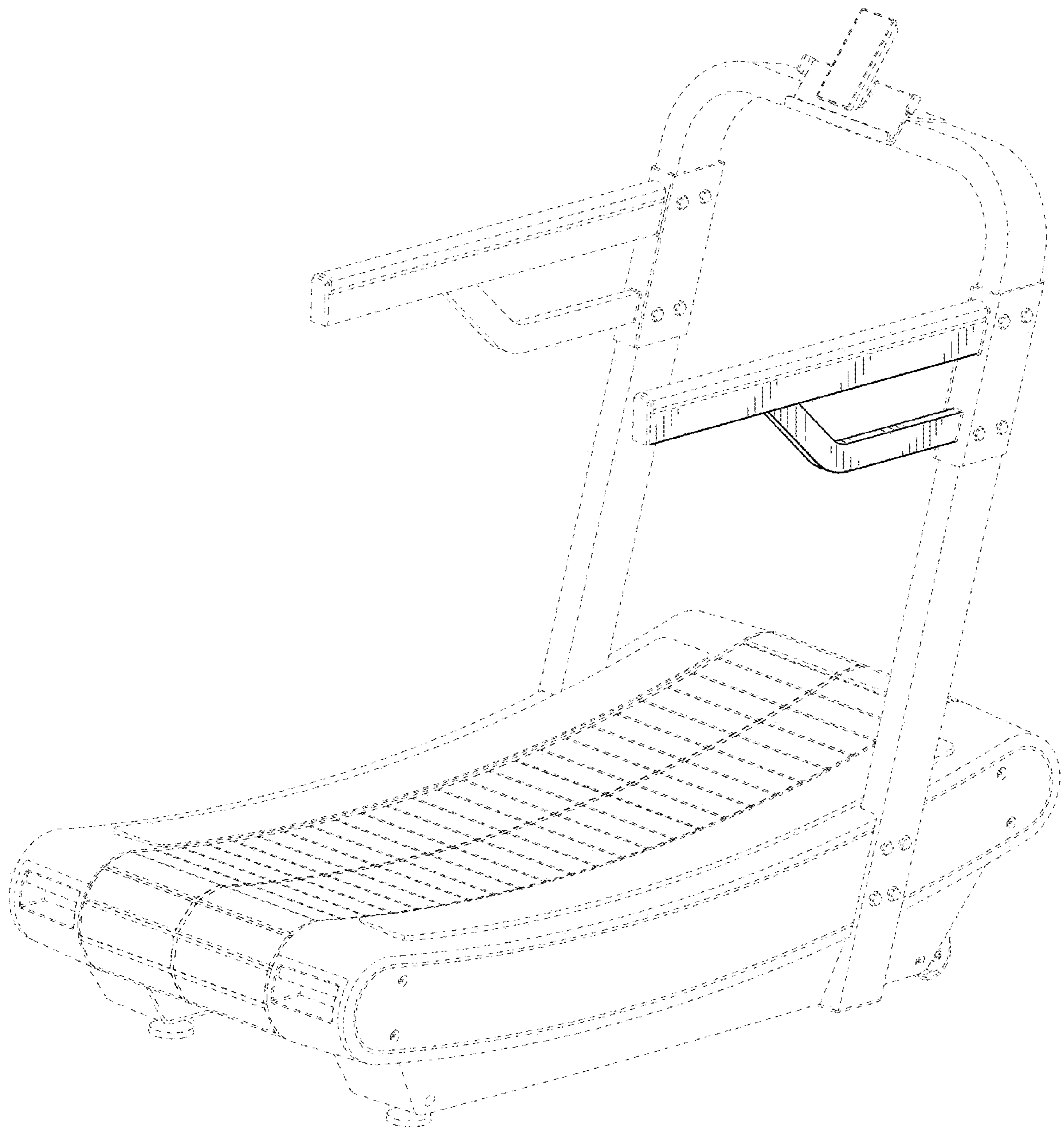


FIG. 1

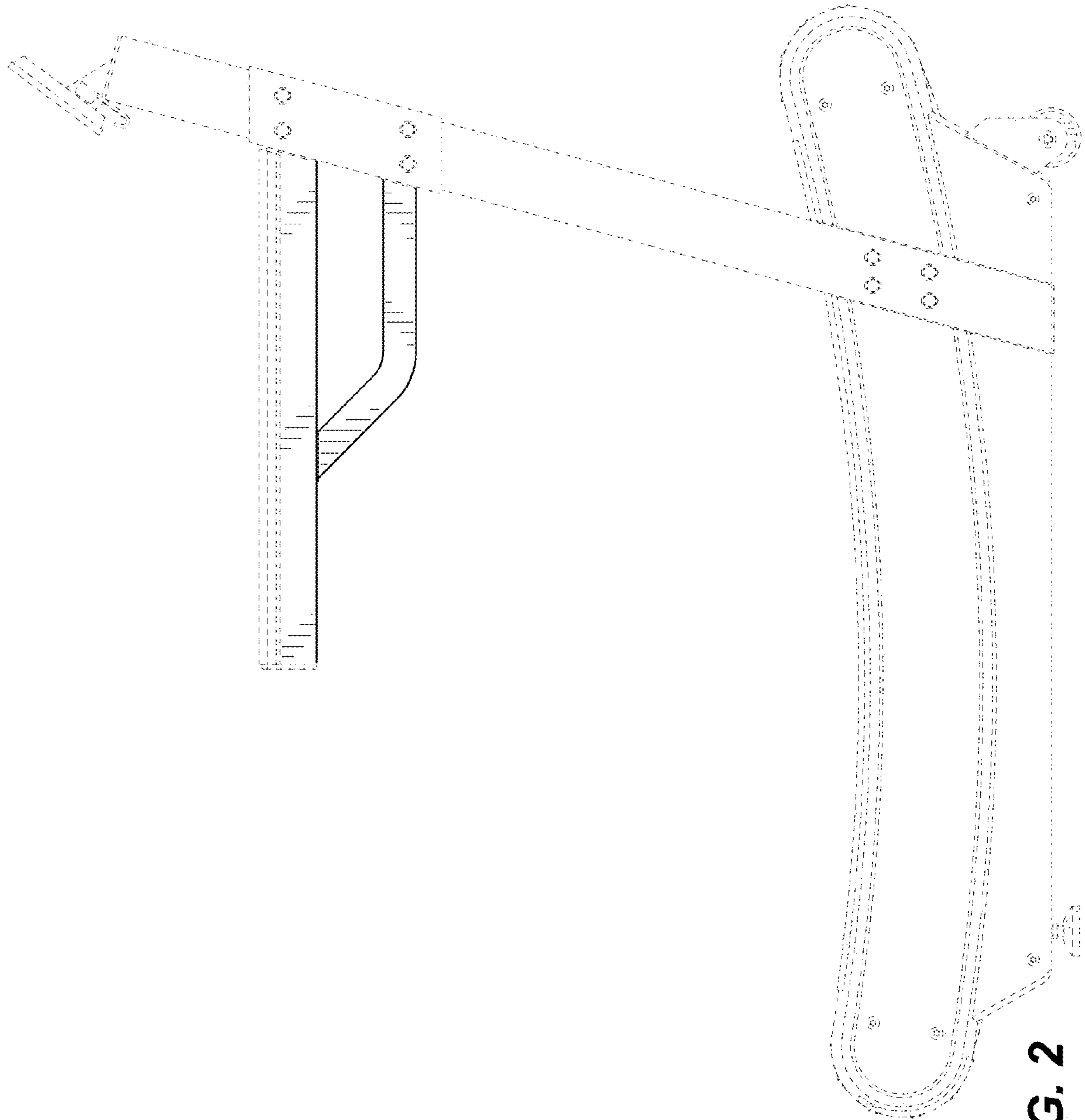


FIG. 2

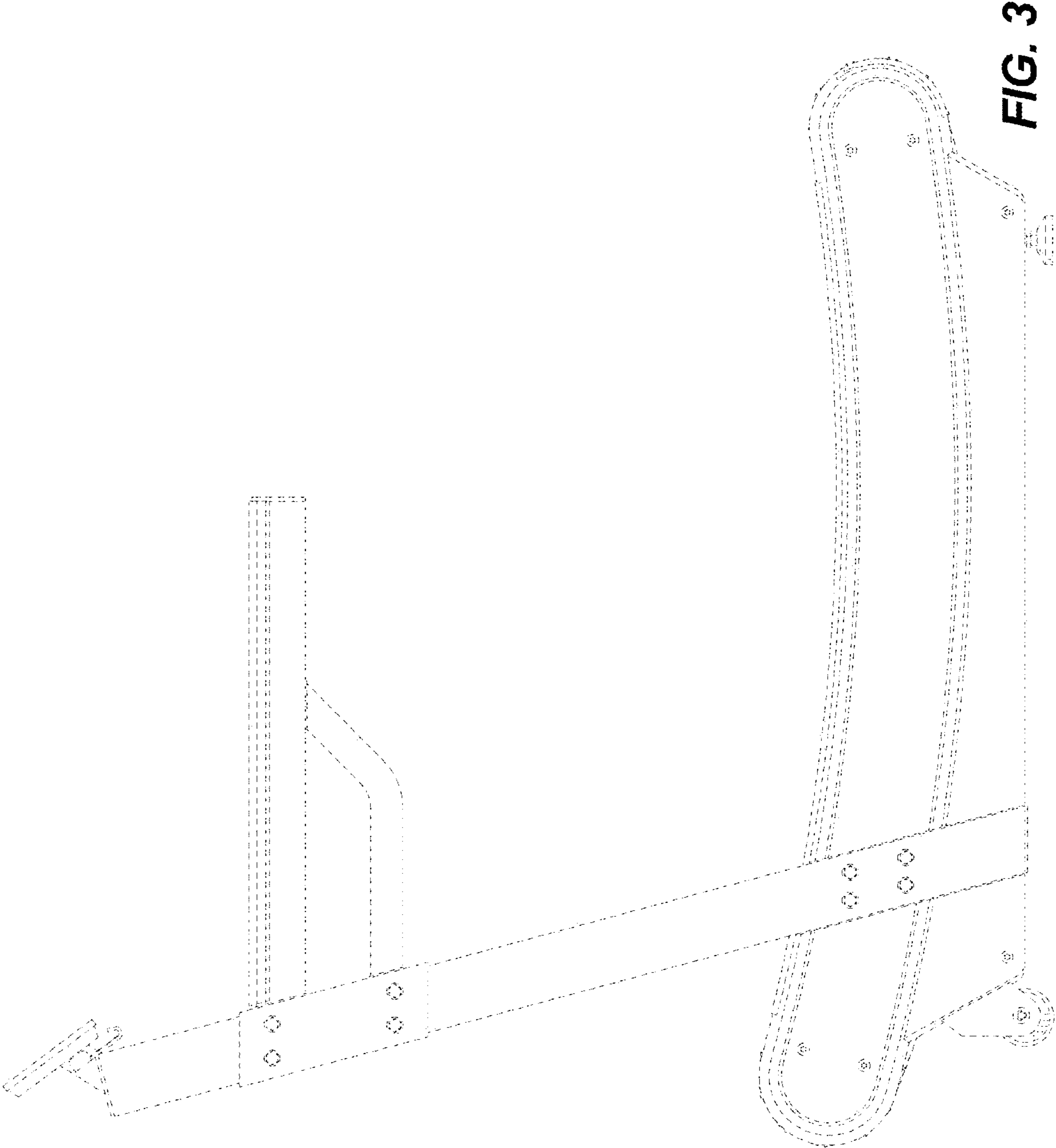


FIG. 3

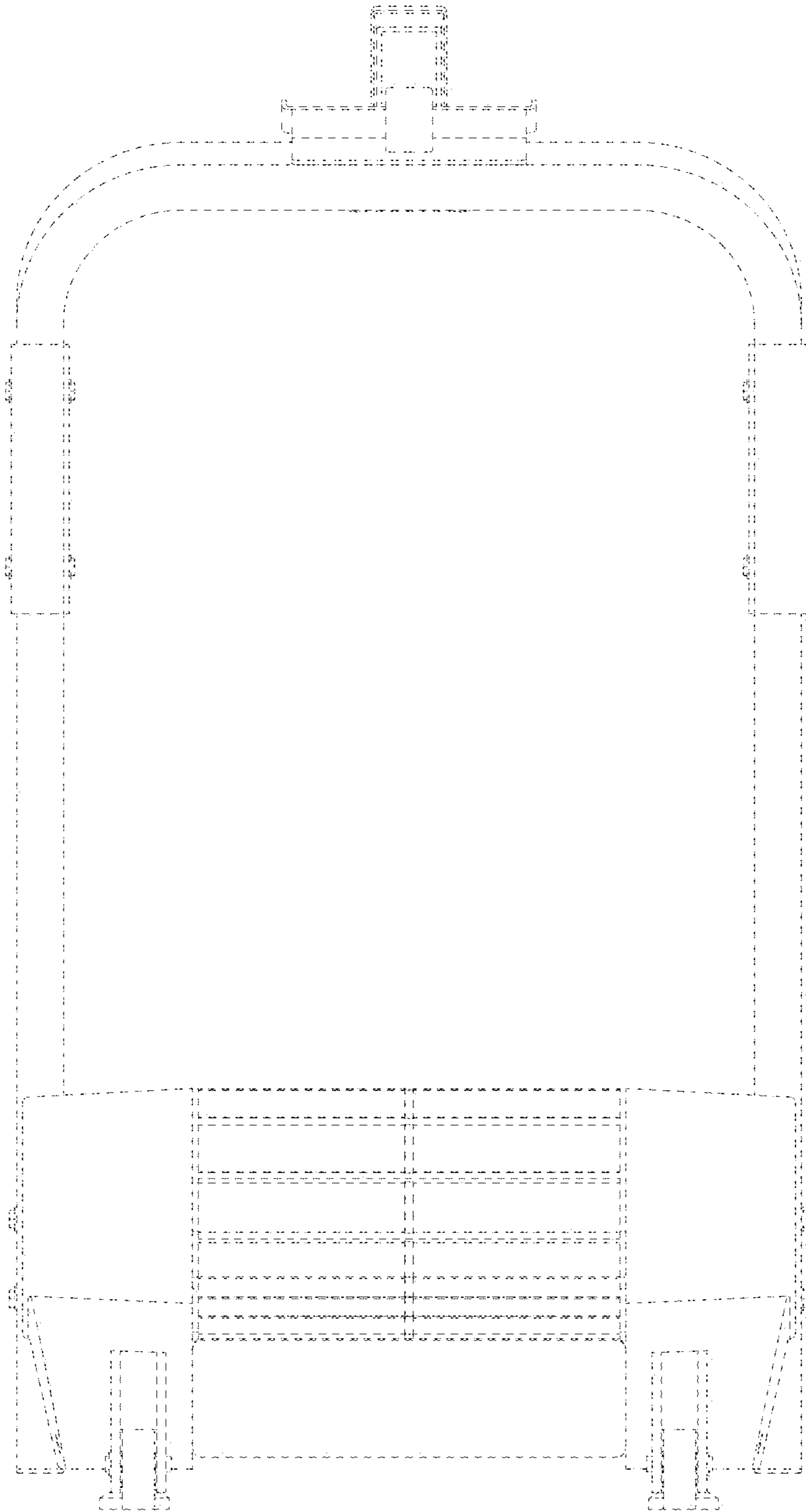


FIG. 4

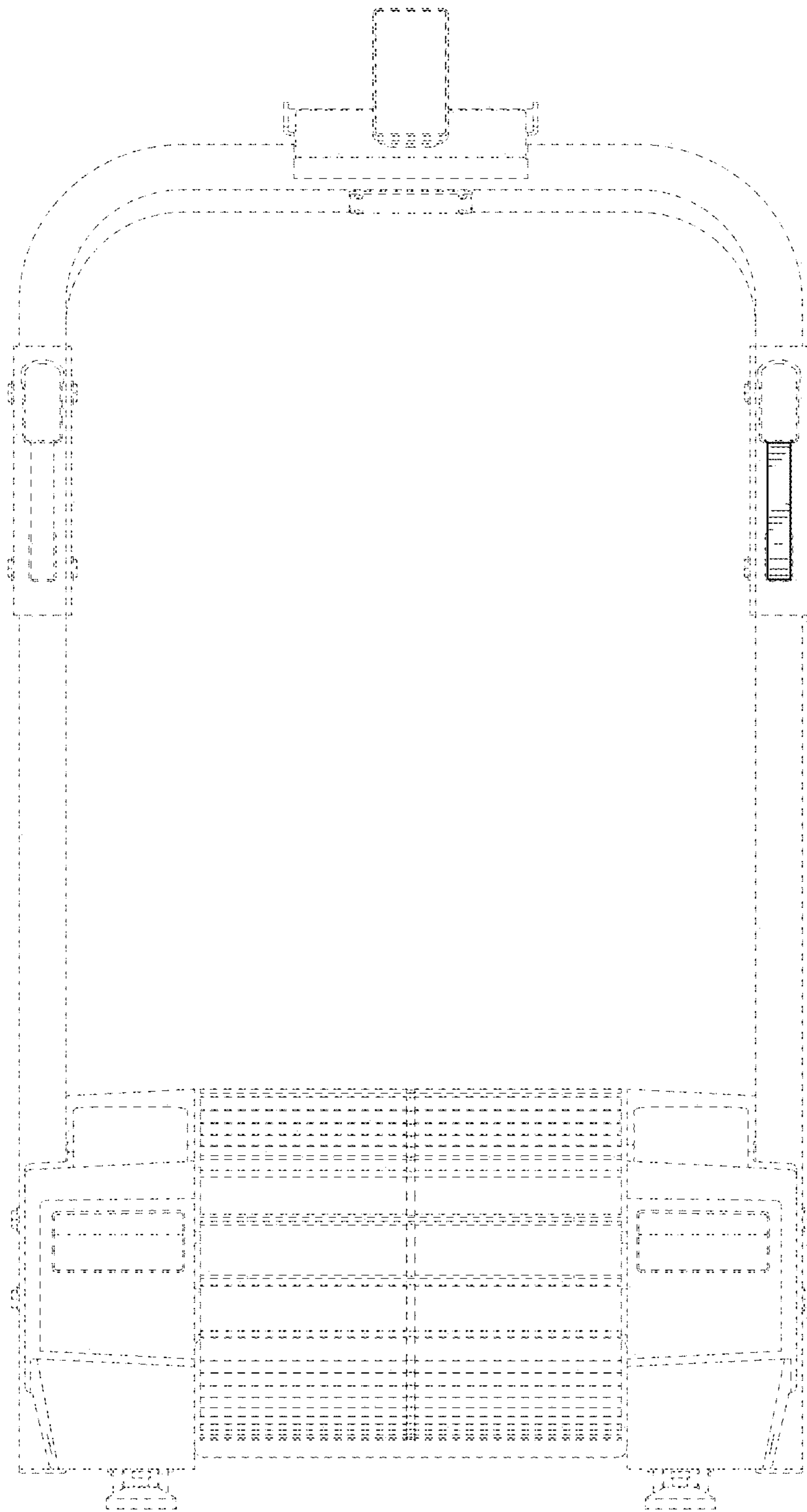


FIG. 5

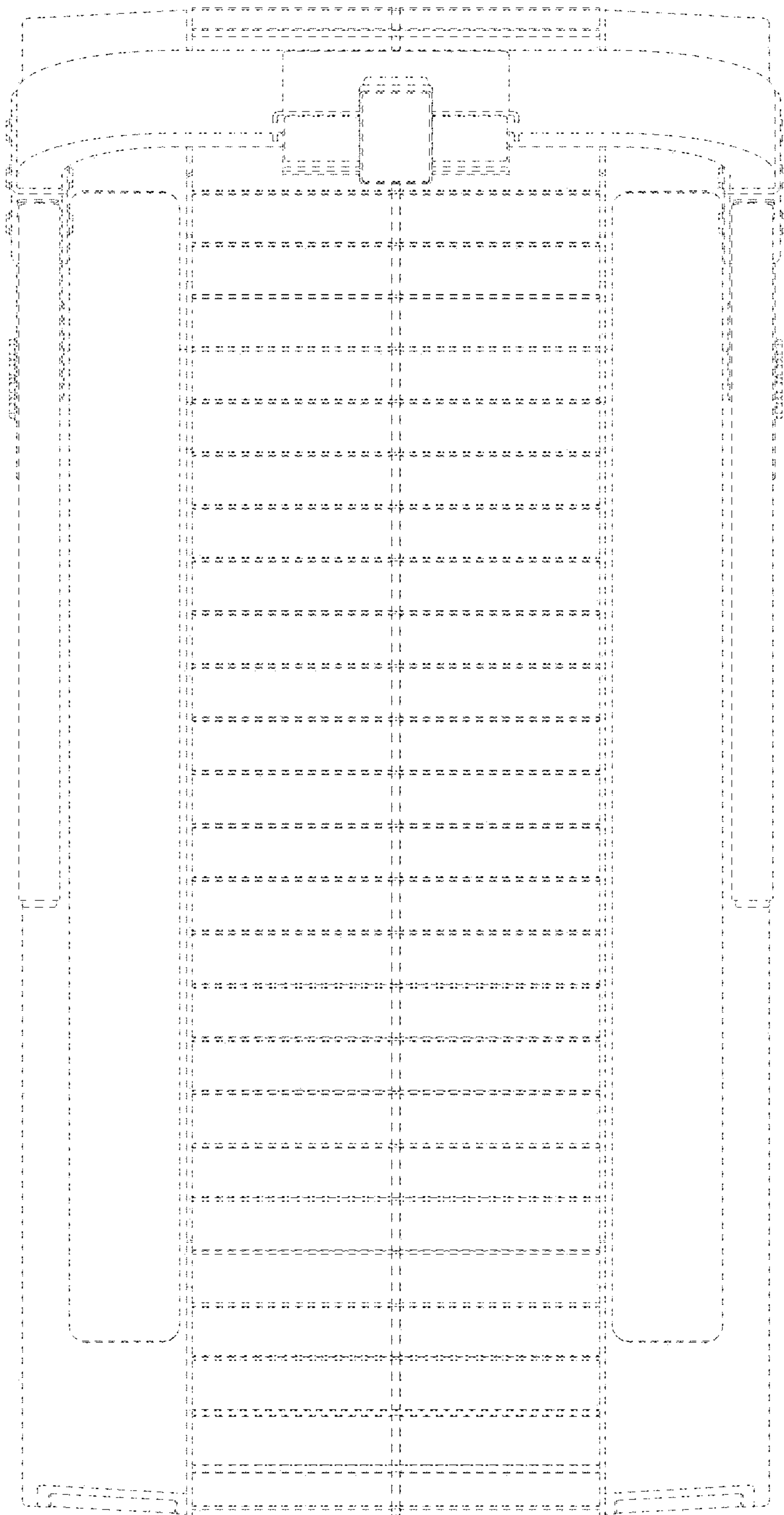


FIG. 6

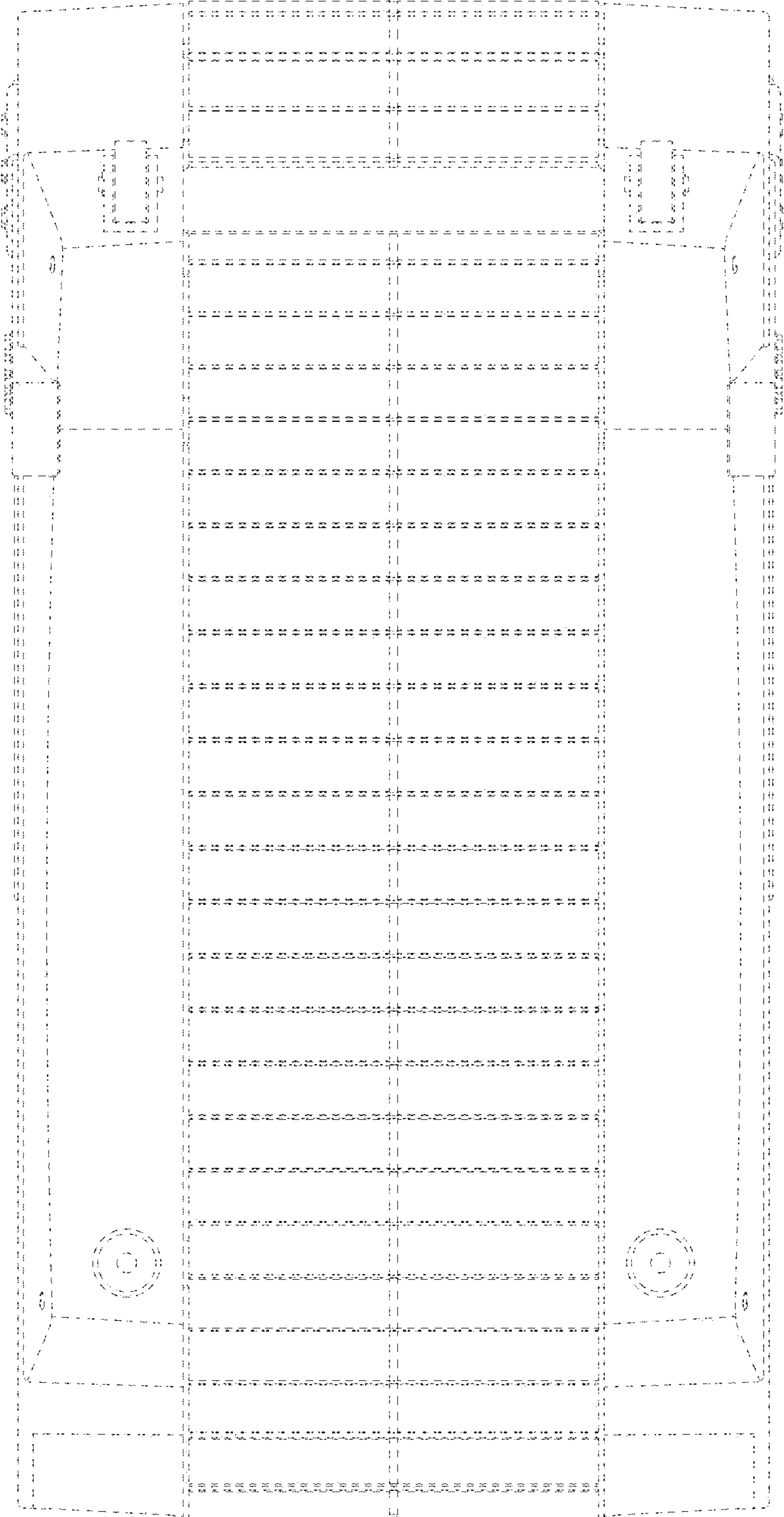


FIG. 7