



US00D988438S

(12) **United States Design Patent** (10) **Patent No.:** **US D988,438 S**
Lv (45) **Date of Patent:** **** Jun. 6, 2023**

(54) **ADJUSTABLE DUMBBELL**
(71) Applicant: **Haikou Hengchang Lida Import and Export Co., LTD**, Haikou (CN)

D799,980 S * 10/2017 Michan Chavez D9/600
9,776,032 B2 * 10/2017 Moran A63B 24/0087
10,071,285 B2 9/2018 Smith et al.
10,195,477 B2 2/2019 Marjama et al.
10,617,905 B2 4/2020 Moran et al.

(72) Inventor: **Wenqing Lv**, Haikou (CN)

(Continued)

(73) Assignee: **Haikou Hengchang Lida Import and Export Co., LTD**, Haikou (CN)

FOREIGN PATENT DOCUMENTS

(**) Term: **15 Years**

EP 1 447 115 B1 7/2008
GB 6186986 * 1/2022

(Continued)

(21) Appl. No.: **29/885,231**

OTHER PUBLICATIONS

(22) Filed: **Feb. 22, 2023**

(51) **LOC (14) Cl.** **21-02**

“NordicTrack 50 Lb iSelect Adjustable Dumbbells” Jan. 10, 2022, Amazon, site visited Mar. 3, 2023: <https://www.amazon.com/NordicTrack-iSelect-Adjustable-Dumbbells-Compatible/dp/B08GGB5V1Z> (Year: 2022).*

(52) **U.S. Cl.**

USPC **D21/681**

(Continued)

(58) **Field of Classification Search**

USPC D6/552; D21/662, 667–682, 685, 686, D21/692, 694

CPC A63B 2220/12; A63B 21/062; A63B 2220/13; A63B 69/3632; A63B 21/075; A63B 21/063; A63B 21/0628; A63B 21/0724

See application file for complete search history.

Primary Examiner — Jack Reickel

Assistant Examiner — Salamah Jordan

(74) *Attorney, Agent, or Firm* — Olive Law Group, PLLC

(56) **References Cited**

(57) **CLAIM**

The ornamental design for an adjustable dumbbell, as shown and described.

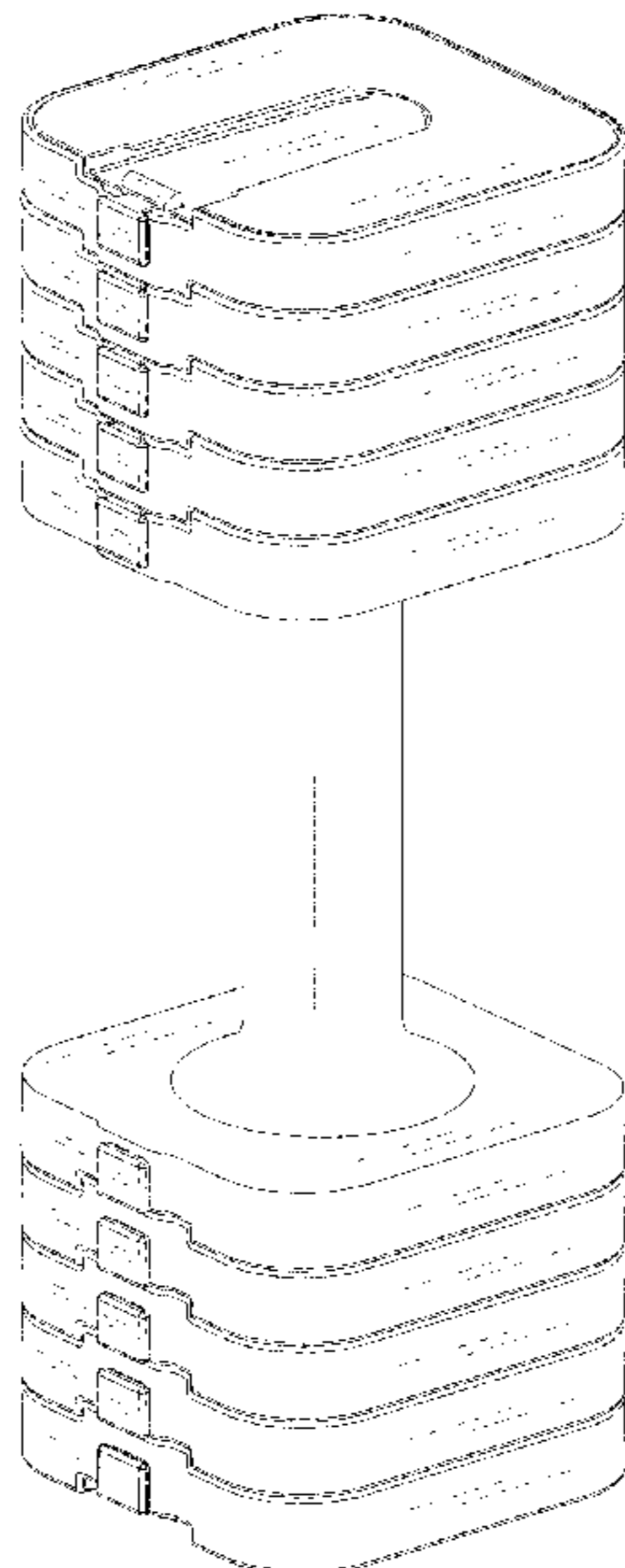
U.S. PATENT DOCUMENTS

DESCRIPTION

5,637,064 A 6/1997 Olson et al.
6,997,856 B1 * 2/2006 Krull A63B 21/0728
7,387,597 B2 * 6/2008 Krull A63B 21/0728
7,497,814 B1 3/2009 Krull
7,520,845 B2 4/2009 Towley, III et al.
7,588,520 B2 9/2009 Nalley
7,604,578 B2 10/2009 Liu
7,704,197 B2 4/2010 Yu
7,857,735 B2 12/2010 Towley, III et al.
D639,358 S * 6/2011 Rauwerdink D21/681
D643,481 S * 8/2011 Rauwerdink D21/681
8,591,387 B2 11/2013 Fife
D737,907 S * 9/2015 Flick D21/681

FIG. 1 is a top, front, right side perspective view of an adjustable dumbbell, showing my new design;
FIG. 2 is a bottom, rear, left side perspective view thereof;
FIG. 3 is a front elevational view thereof;
FIG. 4 is a rear elevational view thereof;
FIG. 5 is a left side elevational view thereof;
FIG. 6 is a right side elevational view thereof;
FIG. 7 is a top plan view thereof; and,
FIG. 8 is a bottom plan view thereof.

1 Claim, 8 Drawing Sheets



(56)

References Cited

U.S. PATENT DOCUMENTS

D921,133 S * 6/2021 Wang D21/681
 11,110,315 B2 9/2021 Towley, III
 11,167,167 B1 11/2021 Weng
 11,285,354 B1 * 3/2022 Tseng A63B 21/0728
 11,452,902 B2 9/2022 Moran et al.
 2006/0242849 A1 * 11/2006 Fogal, Sr. B43L 13/028
 2007/0173386 A1 * 7/2007 Wang A63B 21/0728
 2009/0186748 A1 7/2009 Golesh et al.
 2014/0086705 A1 * 3/2014 Dawson F16B 35/06
 2014/0349820 A1 * 11/2014 Wang A63B 21/063
 2019/0299047 A1 * 10/2019 Nalley A63B 21/0726
 2020/0376320 A1 * 12/2020 Wang A63B 21/0726
 2021/0275891 A1 * 9/2021 Leclerc A63B 21/0726
 2022/0047908 A1 * 2/2022 Weng A63B 21/0726

FOREIGN PATENT DOCUMENTS

JP 2020-503086 A 1/2020
 TW 1634924 B 9/2018

OTHER PUBLICATIONS

“Nuobell 80LB Ash” Jul. 7, 2020, Smrtft, site visited Mar. 2, 2023: <https://bit.ly/3QoKMCa> (Year: 2020).*

“Adjustable Dumbbells” Sep. 28, 2022, Amazon, site visited Mar. 2, 2022: <https://www.amazon.com/dp/B0BGQZSWBH> (Year: 2022).*

“Fiar Adjustable Weight” May 31, 2022, Amazon, site visited Apr. 17, 2023: <https://www.amazon.com/dp/B0B2QVX9DJ> (Year: 2022).*

“Nuobell Adjustable Dumbbells” May 12, 2022, Amazon, site visited Apr. 17, 2023: <https://www.amazon.com/dp/B09SVSZHDS> (Year: 2022).*

* cited by examiner

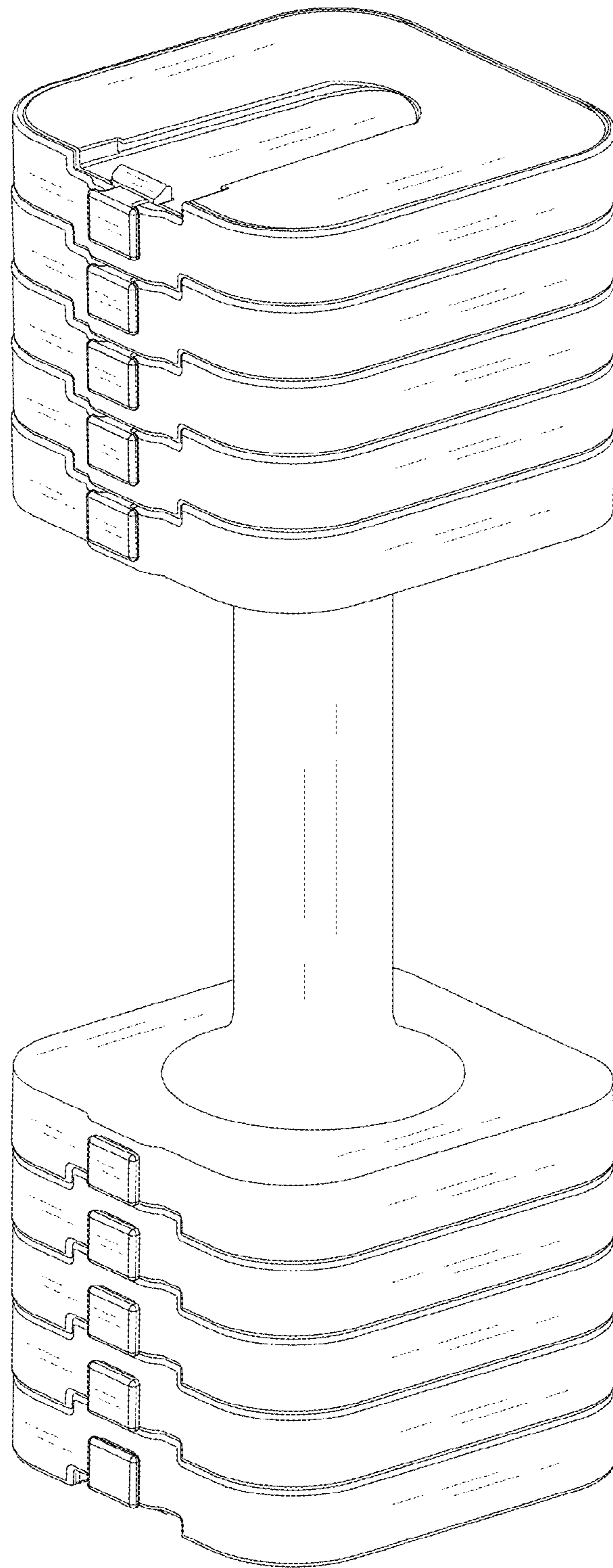


FIG. 1

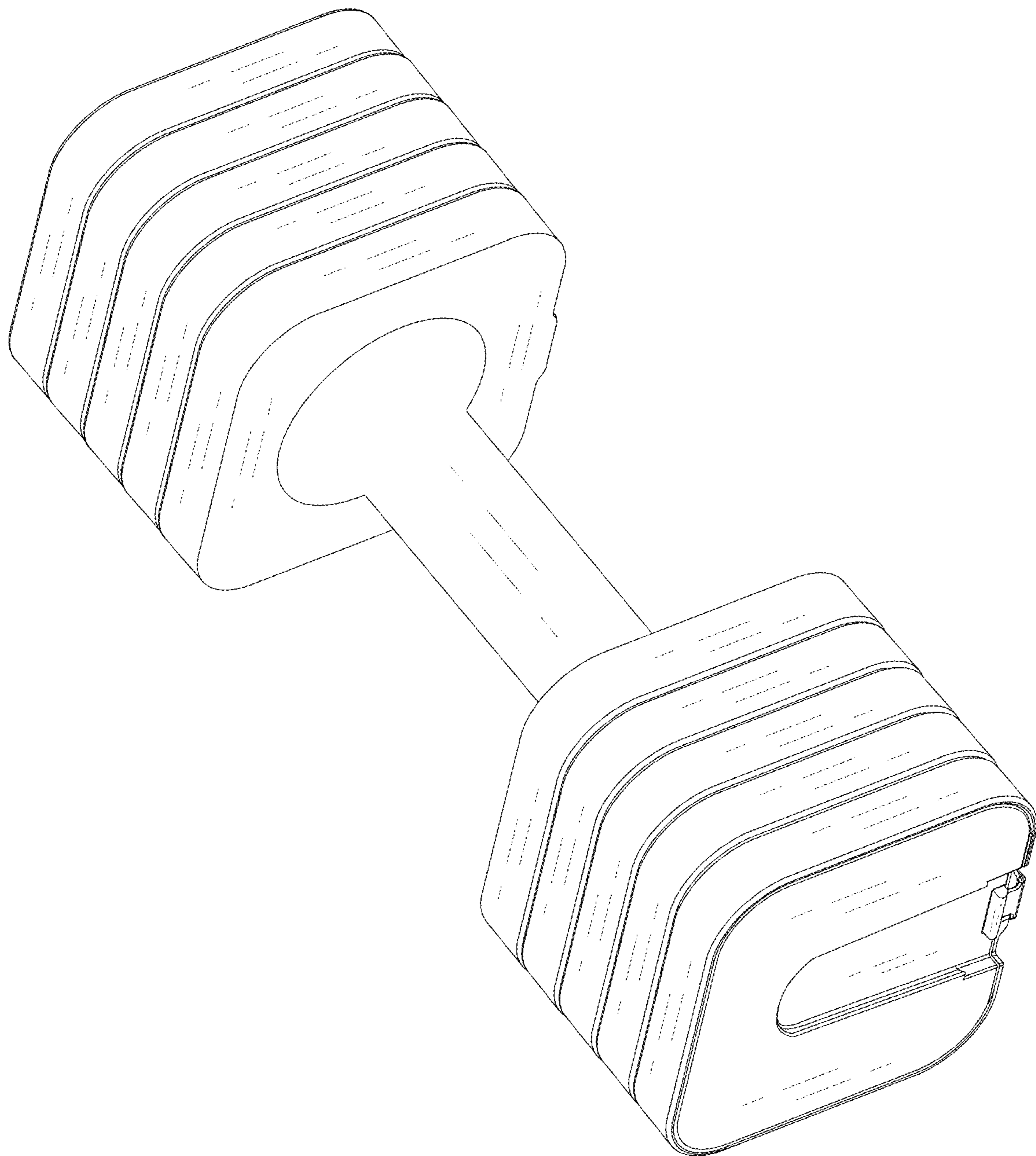


FIG. 2

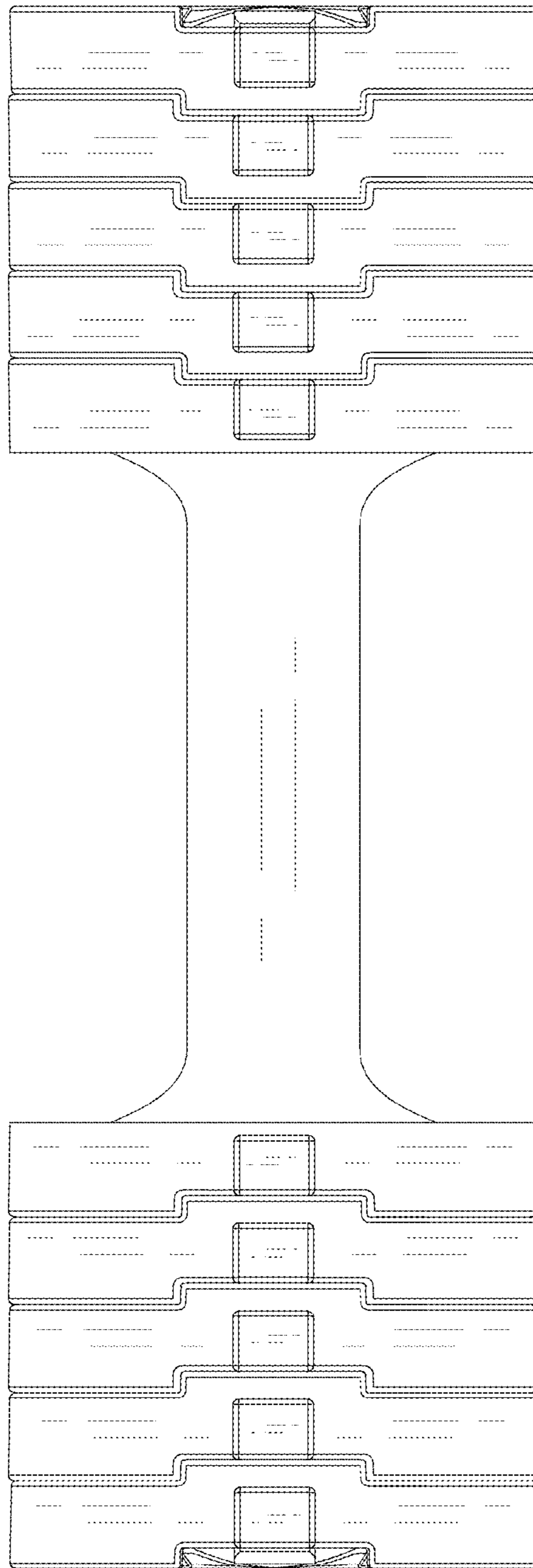


FIG. 3

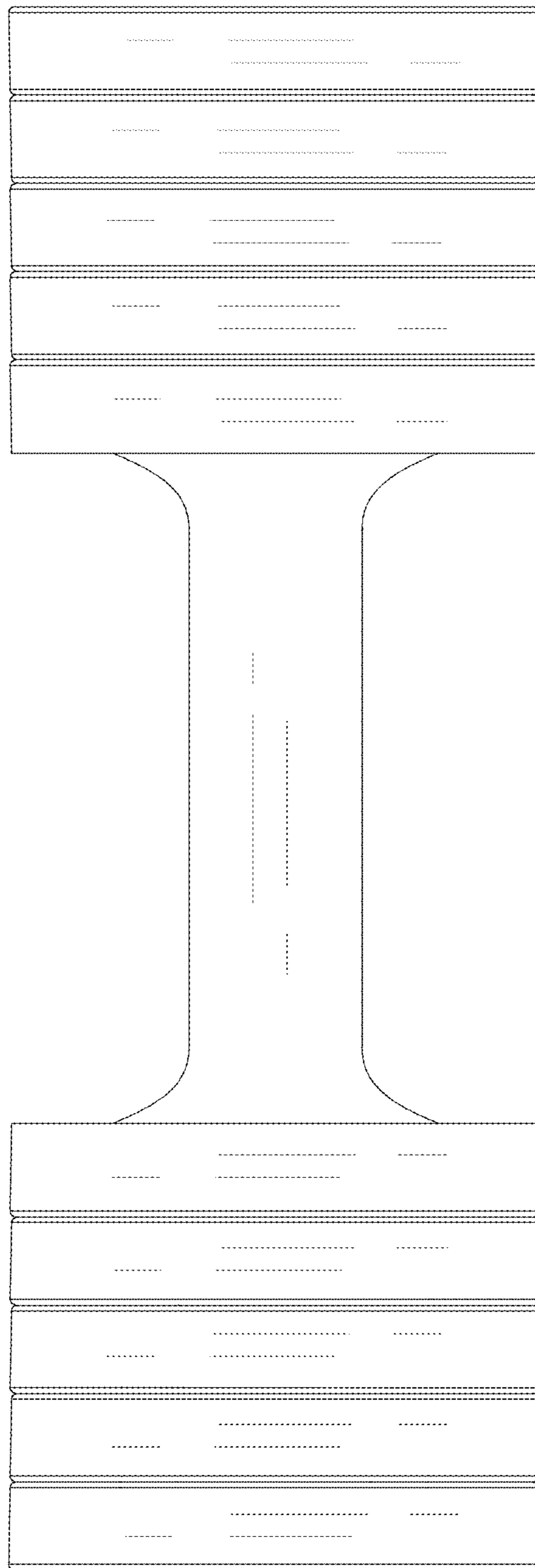


FIG. 4

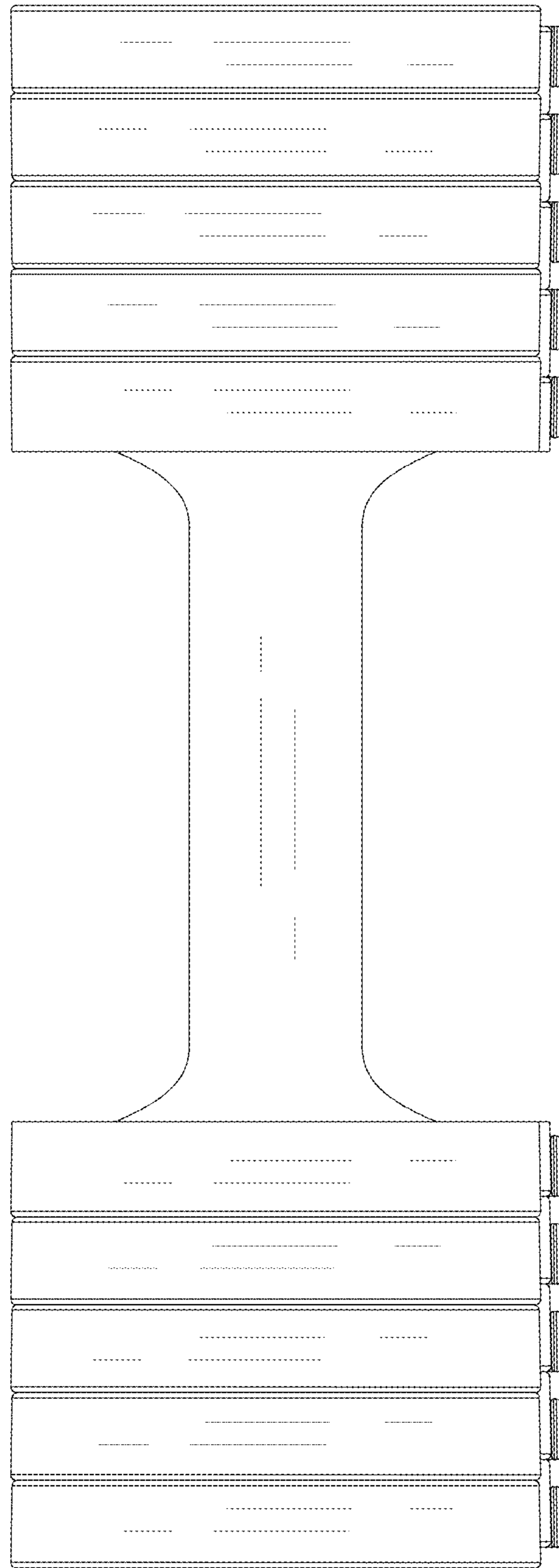


FIG. 5

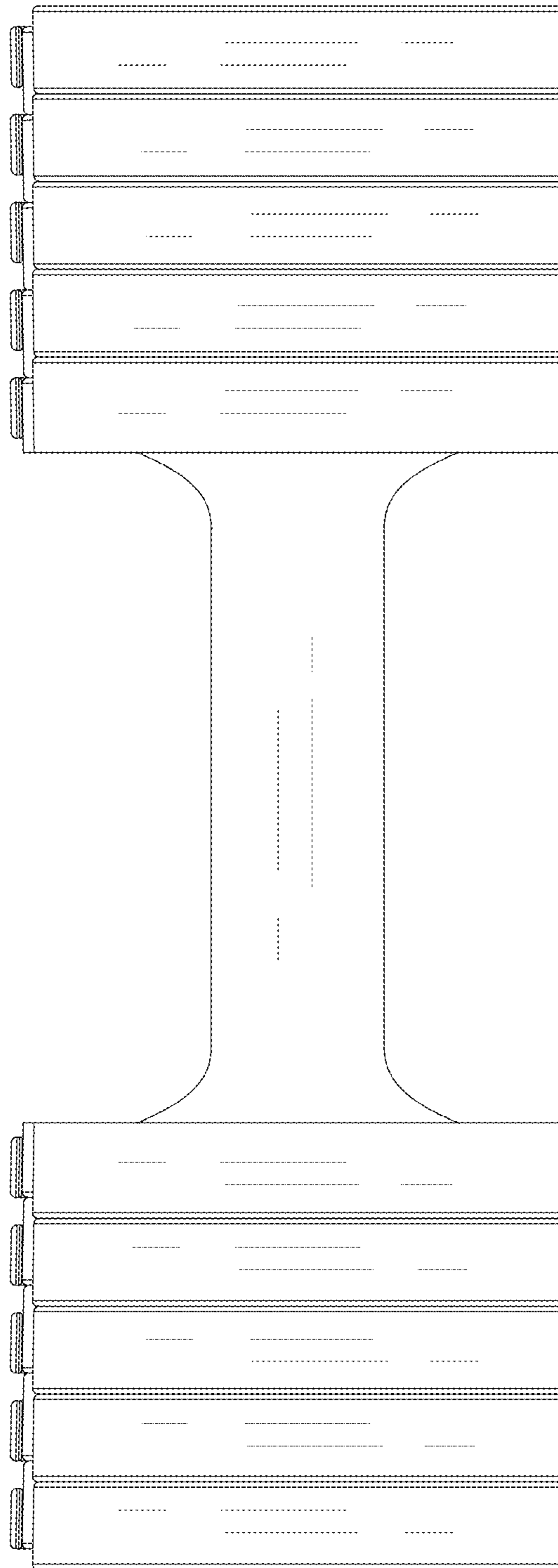


FIG. 6

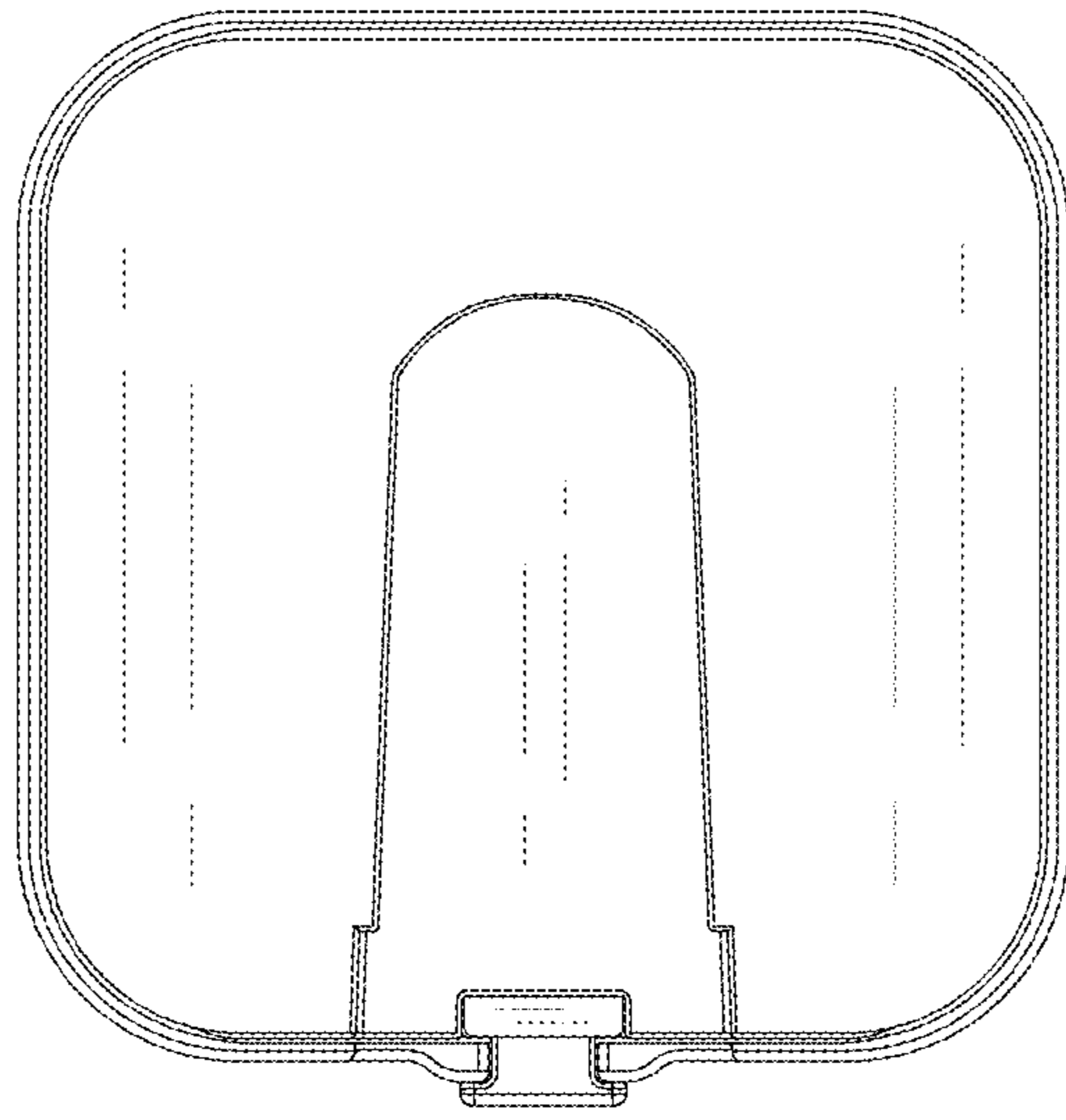


FIG. 7

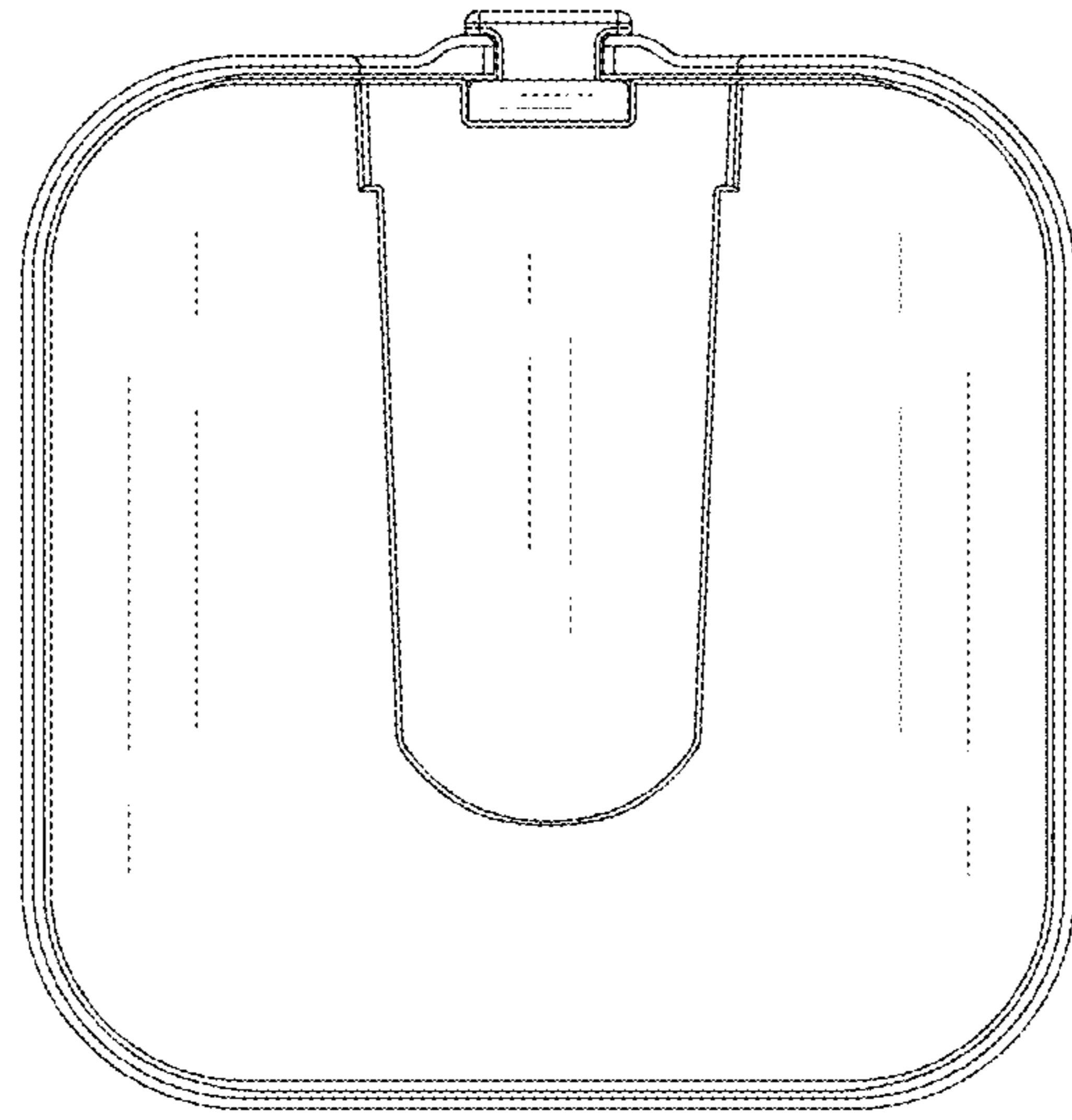


FIG. 8