



US00D988437S

(12) **United States Design Patent**
Luo

(10) **Patent No.:** **US D988,437 S**
(45) **Date of Patent:** **** Jun. 6, 2023**

(54) **EXERCISE BIKE**

(71) Applicant: **Shaomeng Luo**, Fujian (CN)

(72) Inventor: **Shaomeng Luo**, Fujian (CN)

(73) Assignee: **Fujian YESOUL Health Technology Co., Ltd.**, Fujian (CN)

(**) Term: **15 Years**

(21) Appl. No.: **29/762,971**

(22) Filed: **Dec. 19, 2020**

(51) **LOC (14) Cl.** **21-02**

(52) **U.S. Cl.**
USPC **D21/663**

(58) **Field of Classification Search**
USPC D21/432, 682, 694, 696, 697, 663, 664,
D21/666, 667, 419, 662, 685
See application file for complete search history.

(56) **References Cited**

U.S. PATENT DOCUMENTS

D382,925 S *	8/1997	Wu	D21/667
6,669,603 B1 *	12/2003	Forcillo	A63B 21/015
				D21/667
D532,063 S *	11/2006	Kim	D21/697
D625,762 S *	10/2010	Fon	D21/667
D636,449 S *	4/2011	Wu	D21/667
D649,203 S *	11/2011	Zhang	D21/667
D649,204 S *	11/2011	Zhang	D21/667
D677,349 S *	3/2013	Baudhuin	D21/667
D682,371 S *	5/2013	Baudhuin	D21/667

D965,706 S *	10/2022	Lu	D21/663
2014/0038781 A1 *	2/2014	Foley	A63F 13/798
				482/9
2021/0387054 A1 *	12/2021	Schaefer	A63B 71/0622

OTHER PUBLICATIONS

Yosuda, announced 2018[online], [site visited Mar. 15, 2022]. Available on internet, URL:<https://www.amazon.com/YOSUDA-Indoor-Cycling-Bike-Stationary/dp/B07D528W98/ref> (Year: 2018).
Urevo, announced 2020[online], [site visited Mar. 15, 2022]. Available on internet, URL:<https://www.amazon.com/UREVO-Cycling-Stationary-Exercise-Training/dp/B08GYRYGYX/ref> (Year: 2020).*

* cited by examiner

Primary Examiner — Khawaja Anwar
Assistant Examiner — Julice Seung Eun Oum

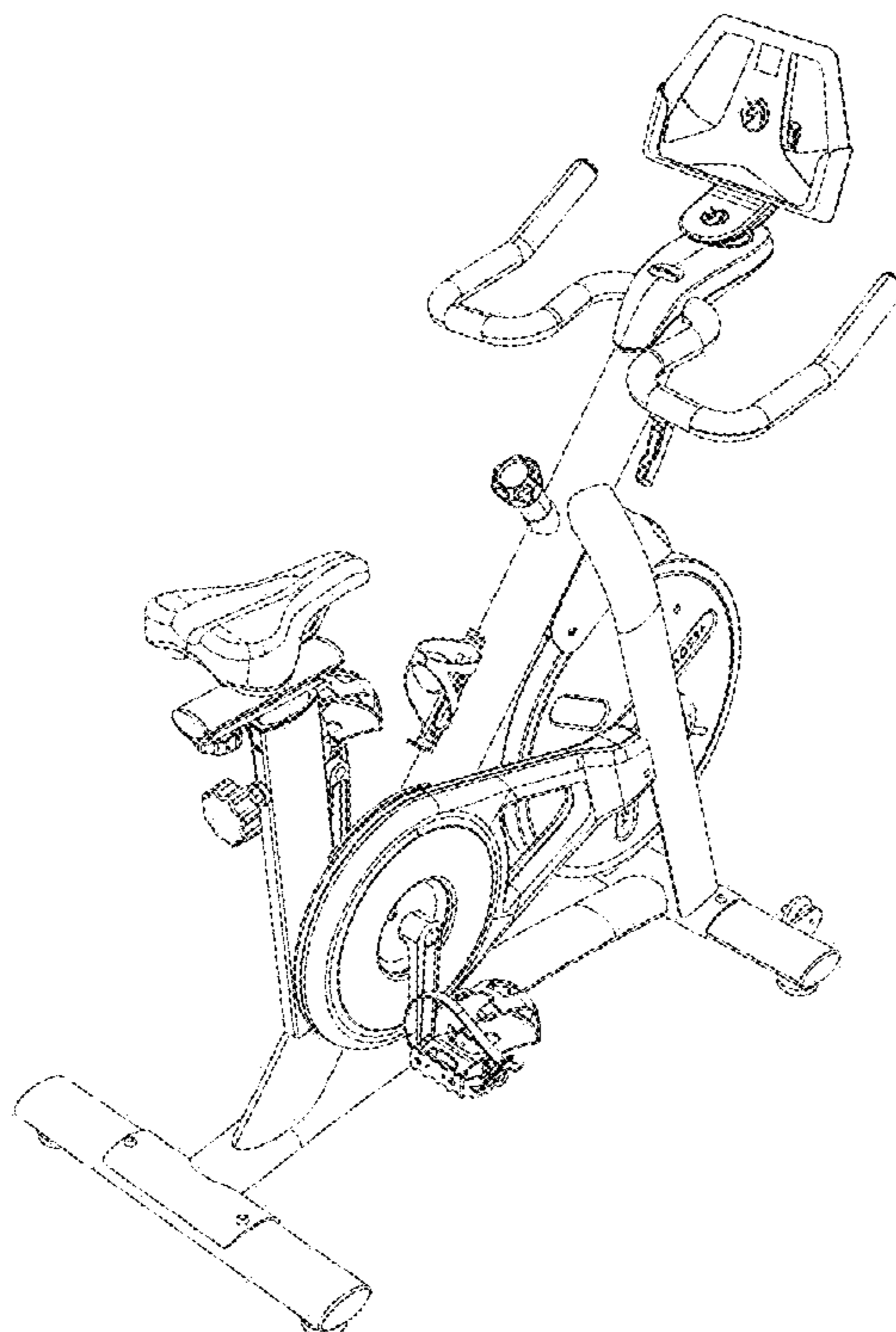
(57) **CLAIM**

The ornamental design for an exercise bike, as shown and described.

DESCRIPTION

FIG. 1 is a perspective view of an exercise bike showing my new design;
FIG. 2 is a front elevation view thereof;
FIG. 3 is a rear elevation view thereof;
FIG. 4 is a left side elevation view thereof;
FIG. 5 is a right side elevation view thereof;
FIG. 6 is a top plan view thereof;
FIG. 7 is a bottom plan view thereof; and,
FIG. 8 is a left side perspective view thereof.
The broken lines in the drawings depict portions of the exercise bike that form no part of the claimed design.

1 Claim, 8 Drawing Sheets



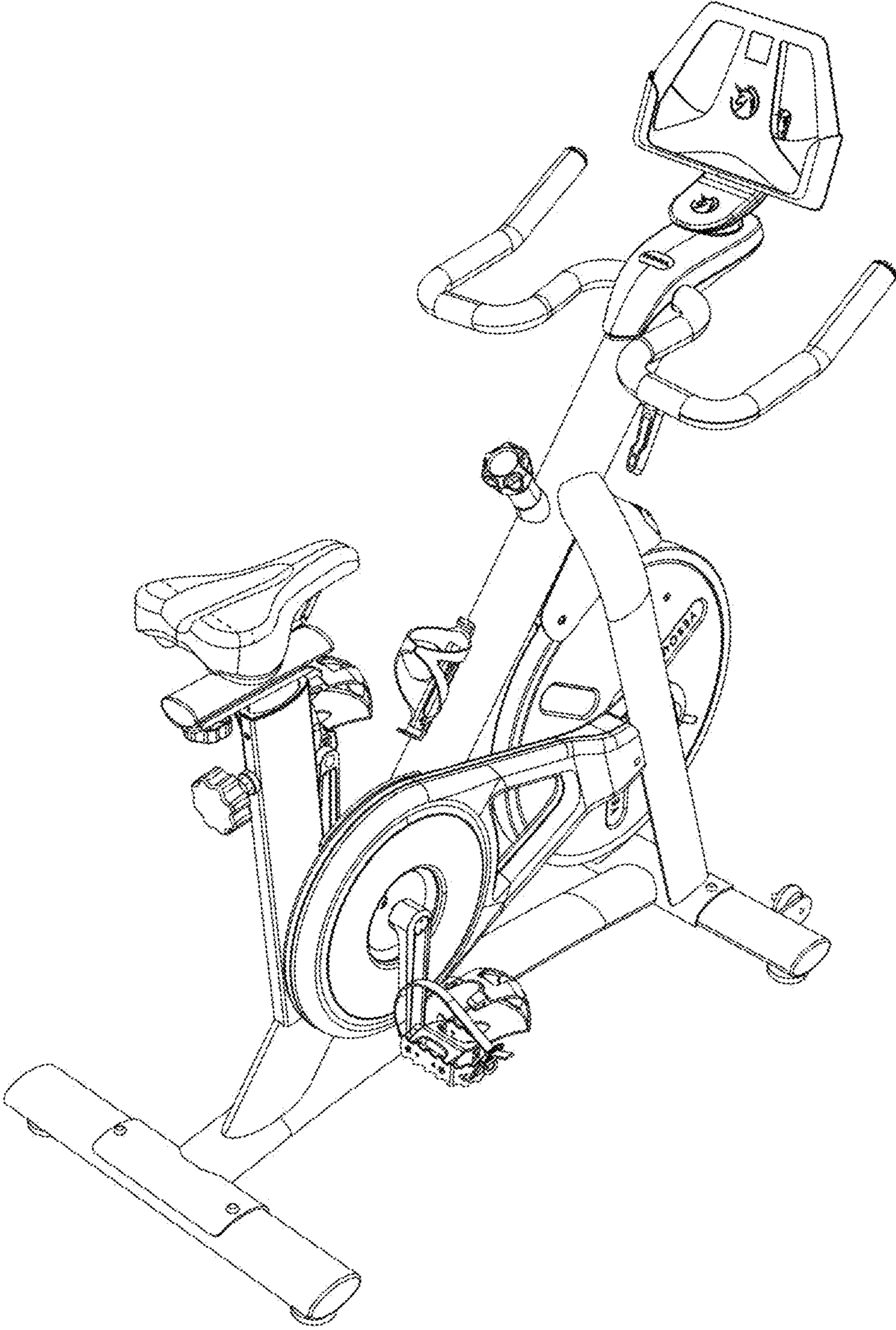


FIG. 1

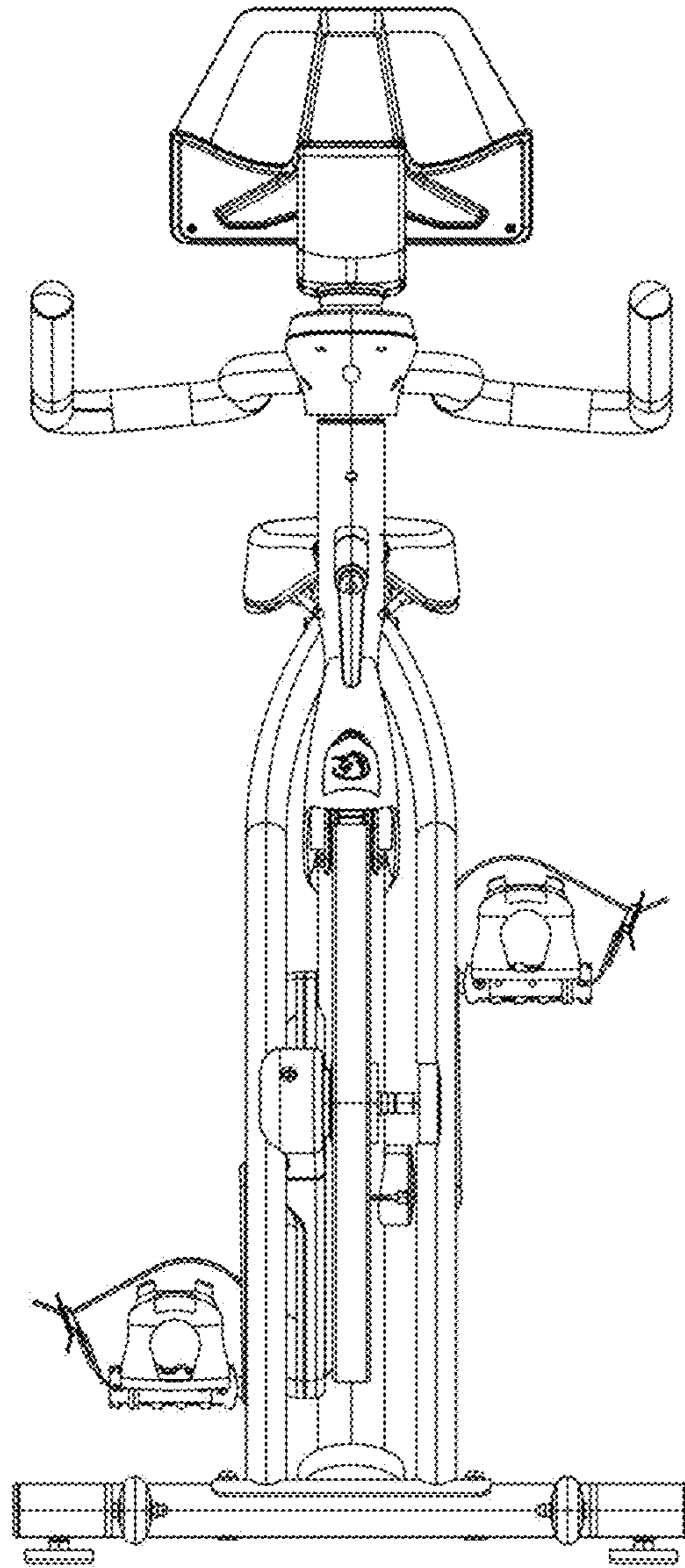


FIG. 2

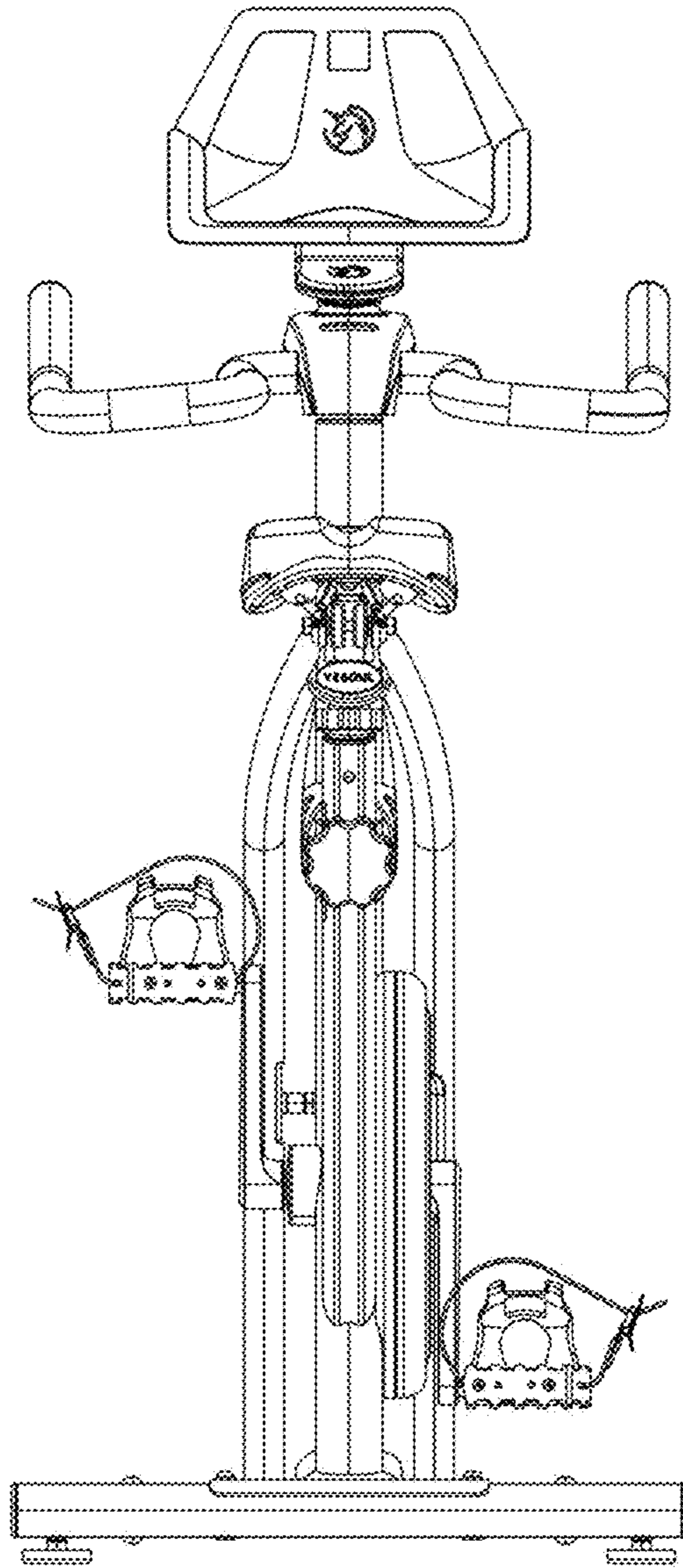


FIG. 3

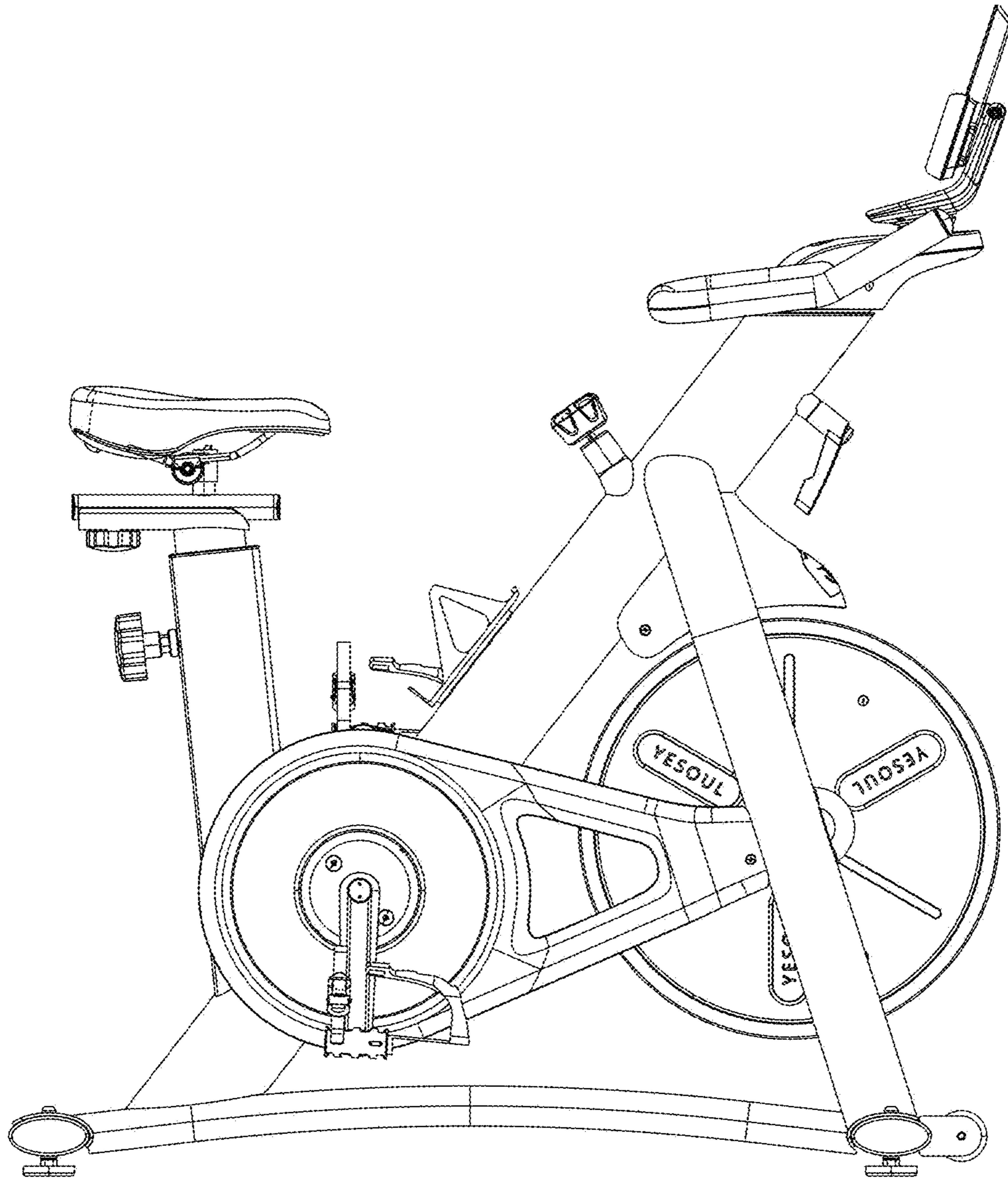


FIG. 4

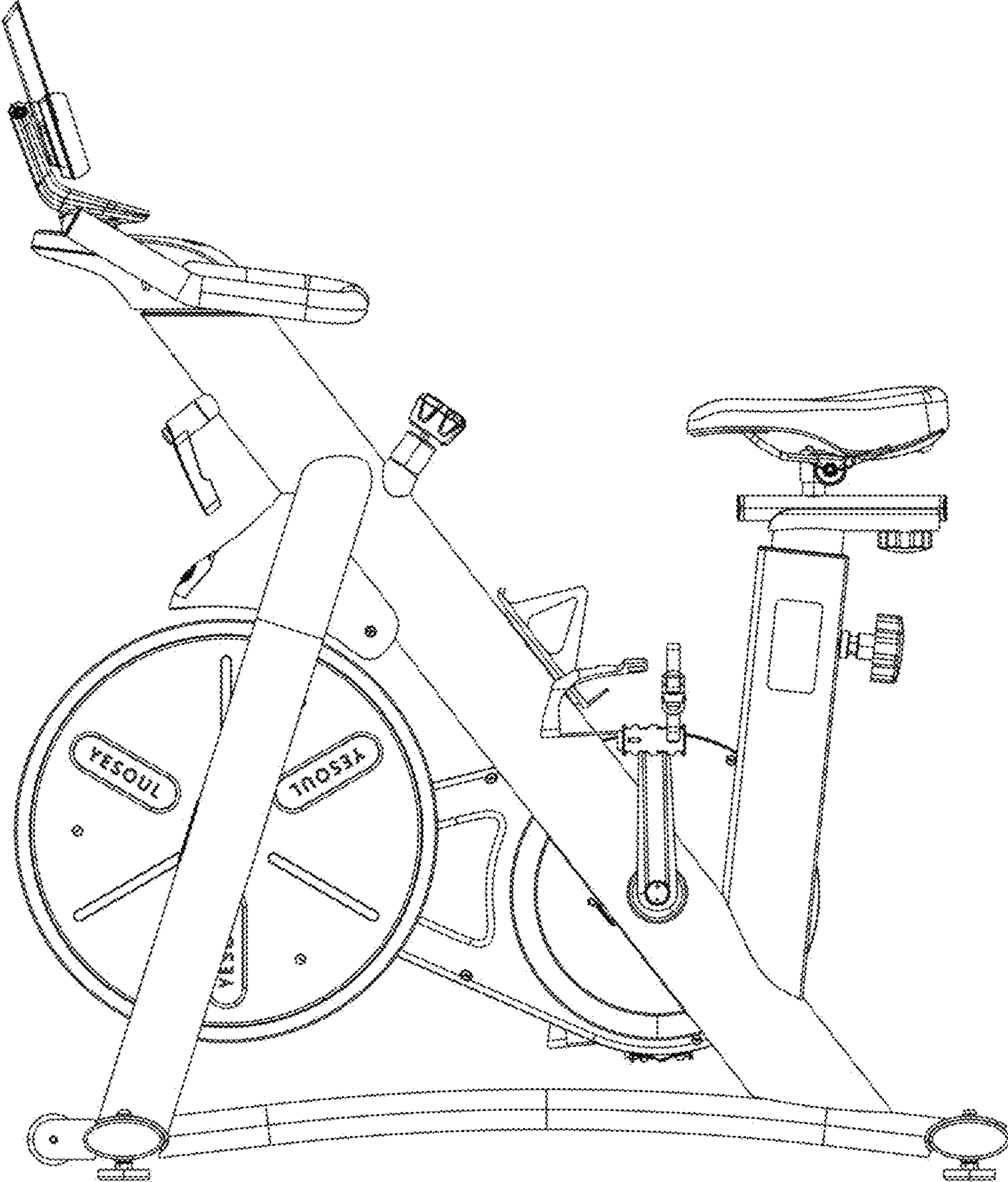


FIG. 5

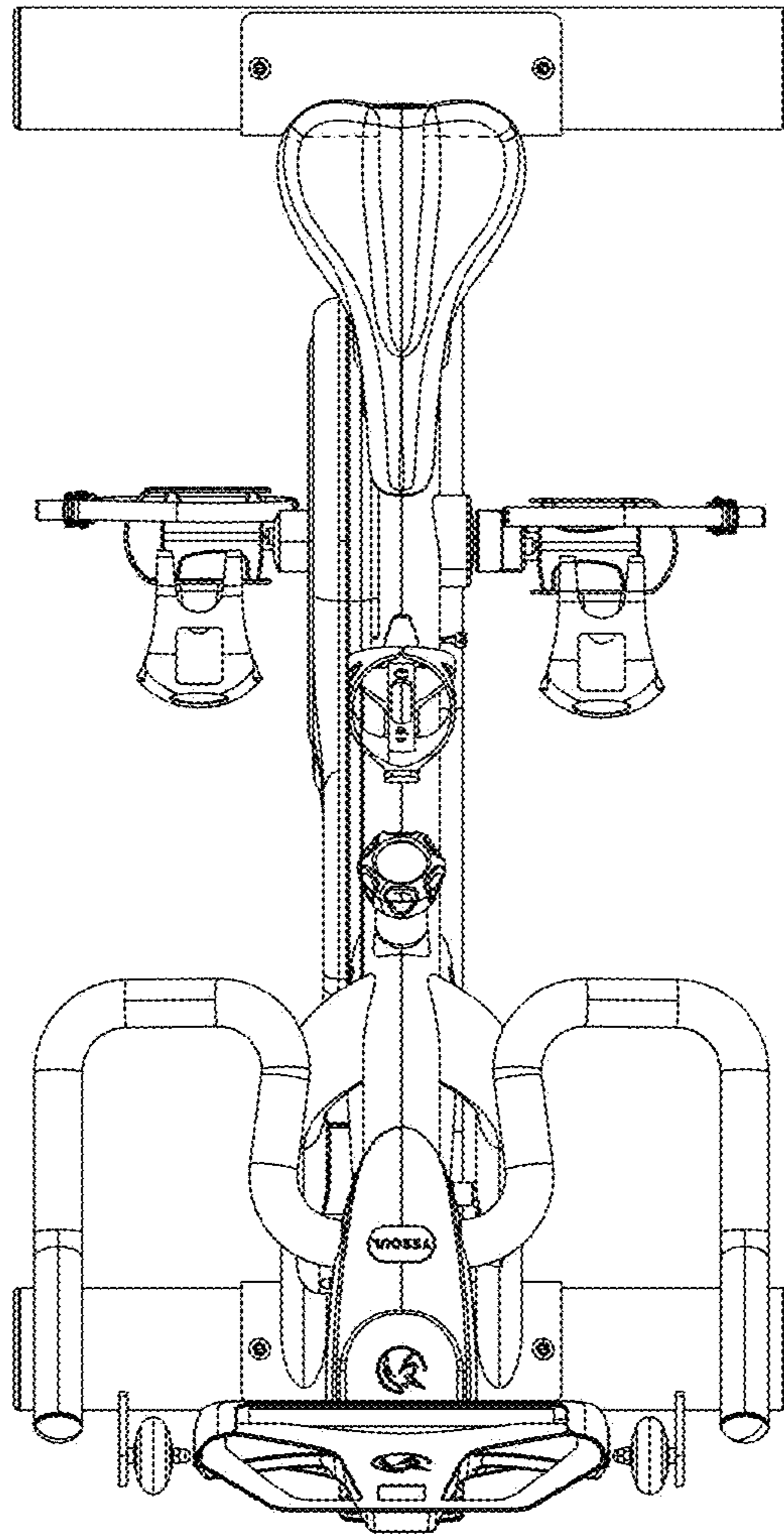


FIG. 6

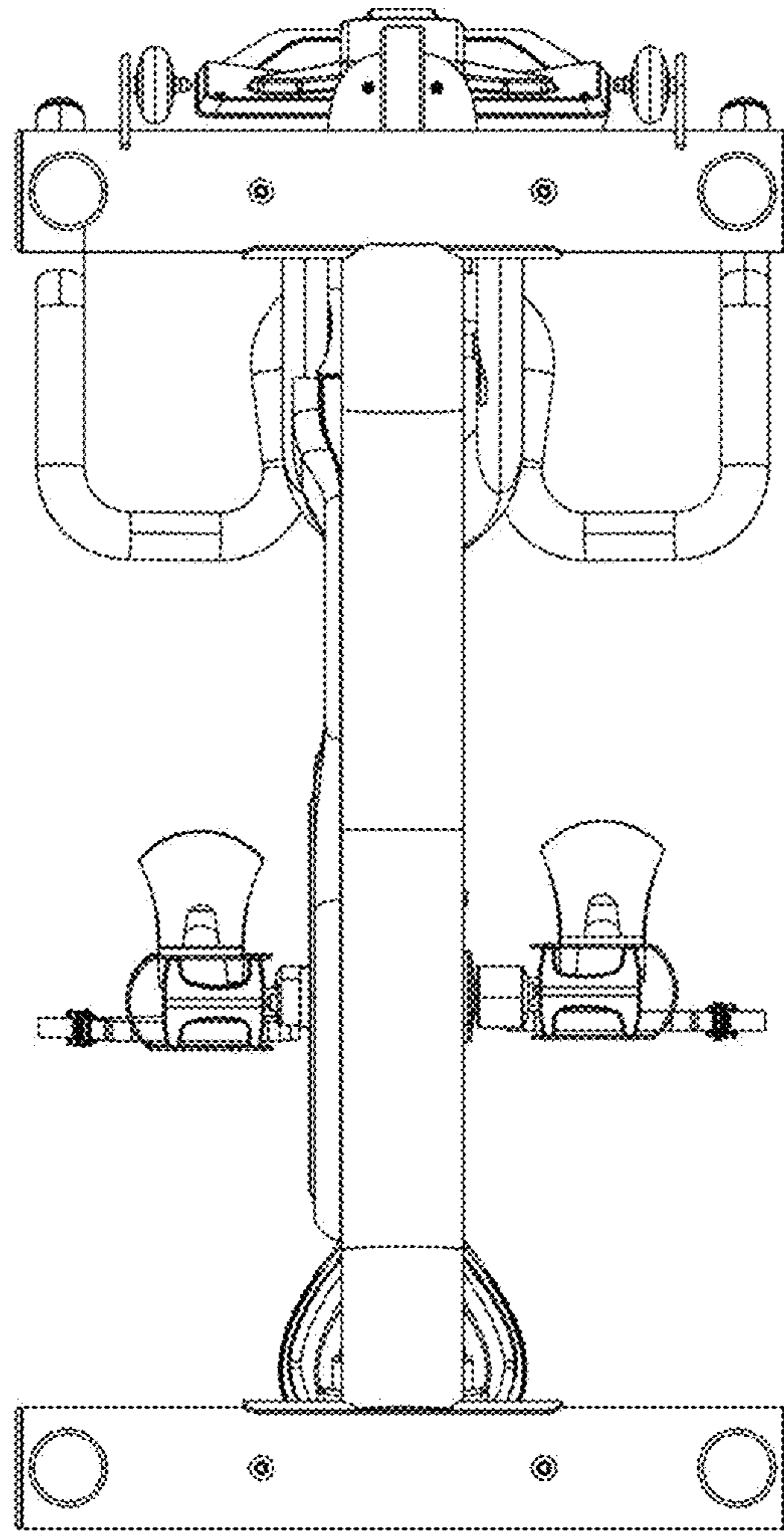


FIG. 7

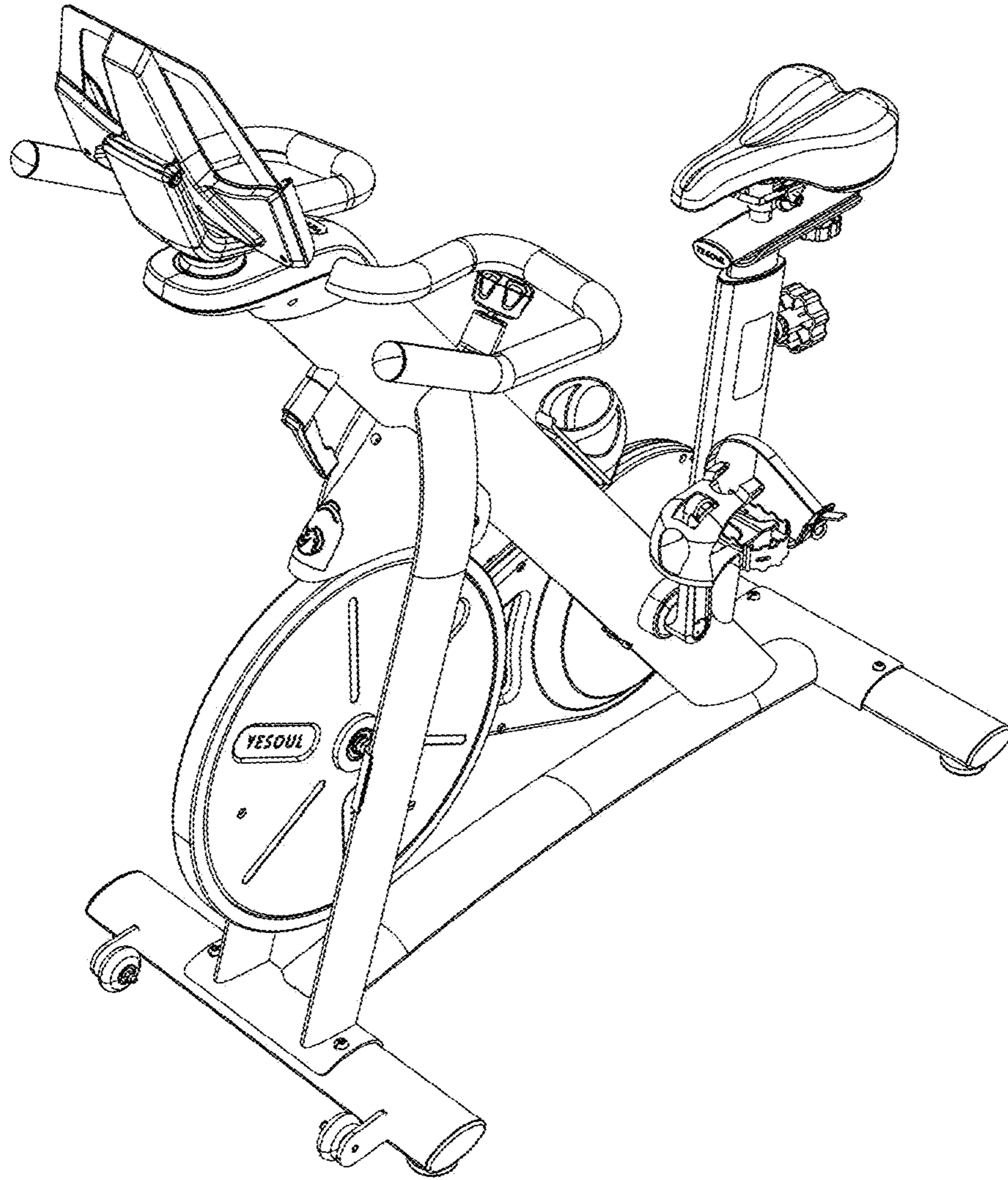


FIG. 8